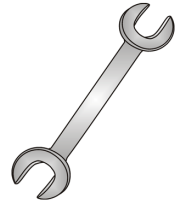




Tow-Trust Towbars

Important: Please read General Notes overleaf before fitting

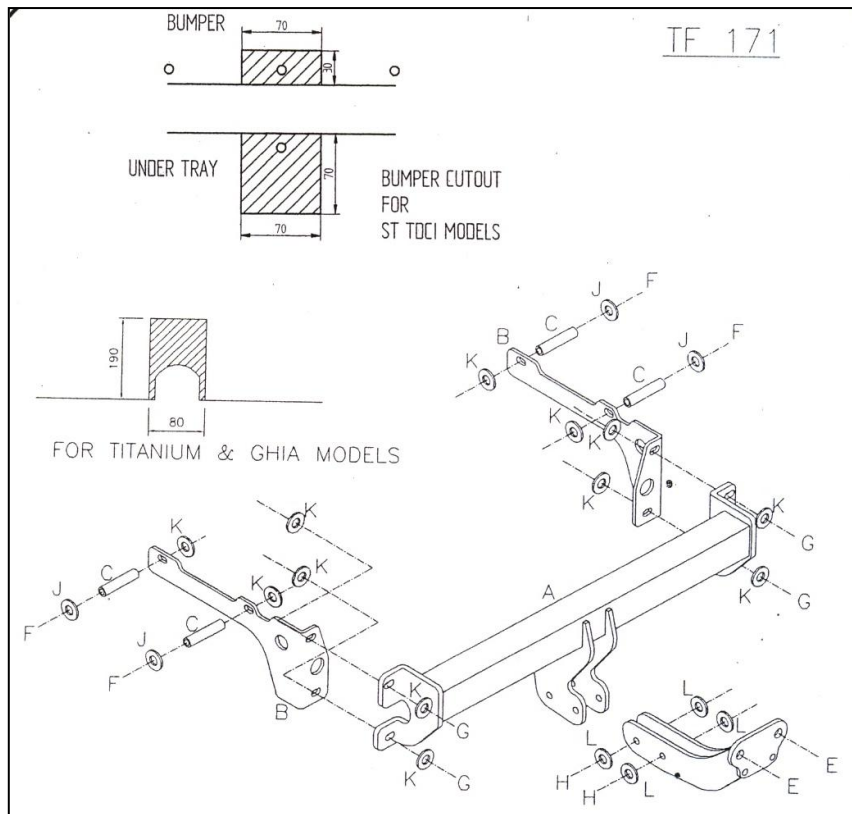


Issue 7

TF171 Ford Mondeo Saloon / Hatch ST TDCi 2004 - 2007

Item	Qty	Description	Item	Qty	Description
A	1	Crossmember	E	2	M16 x 40 Bolts, Nuts & S/P Washers
B	2	Handed Side Arms	F	4	M10 x 110 Bolts, Nuts & S/P Washers
C	4	17 x 78 Spacer Tubes	G	4	M10 x 50 Bolts, Nuts & S/P Washers
D	1	Extension Bar	H	2	M12 x 85 Grade 10.9 Bolts & Nyloc Nuts
			J	4	10 x 30 Flat Washers
			K	12	10 x 25 Flat Washers
			L	4	12 x 25 Flat Washers

1. Temporarily remove the plastic panel from the underside of the vehicle.
2. Lower the exhaust.
3. Locate the two existing holes in the side of each chassis member. Place washers (item J) and bushes (item C) onto bolts (item F), locate into existing holes in the chassis, secure item B to the inside face using nuts and washers (item K) provided.
4. Cut 10mm clearance slots in the lower face of the bumper and also in the under tray (see sketch).
5. Locate item A inside the bumper and using item G with item K bolt item A to the existing holes in the rear panel and to the lower holes in item B.
6. Using item H with item L bolt item D to item A.
7. Using item E bolt the ball bracket and wiring plate (not supplied in this kit) to the mounting plate.
8. Fully tighten all nuts and bolts and ensure the towbar is rigid and secure.
9. Refit exhaust.
10. Refit plastic panel.



Note:

1. Recommended Torque Setting for M12 Grade 10.9 -139 Nm. (For other Torque Settings see notes overleaf.)
2. Nose load limits and vehicle manufacturers trailer / caravan weight limits must be observed.