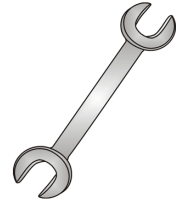




Tow-Trust Towbars

Important: Please read General Notes overleaf before fitting

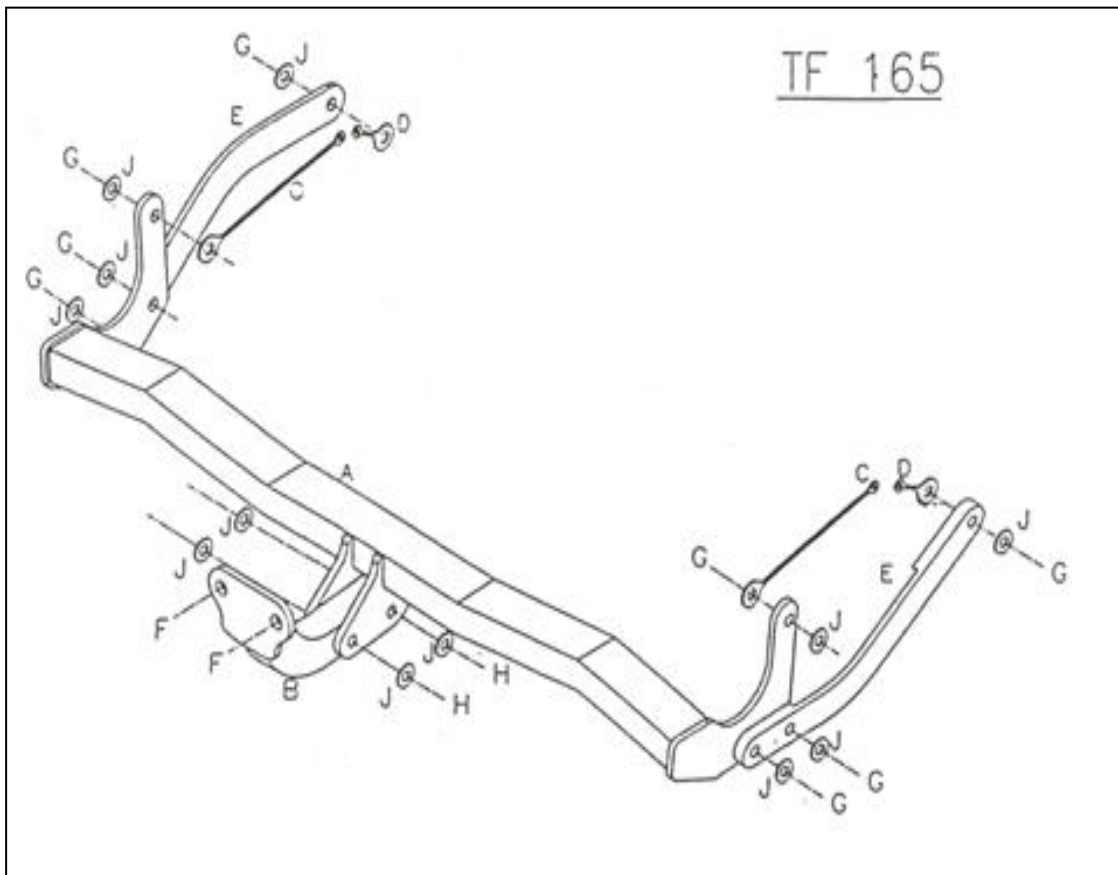


Issue 4

TF165 FORD FUSION 2002>

Item	Qty	Description	Item	Qty	Description
A	1	Crossmember	F	2	M16 x 50 Bolts, Nuts & S/P Washers
B	1	Extension Bar	G	8	M12 x 40 Bolts, 4 Nuts & 8 S/P Washers
C	2	Long Clamp Plates	H	2	M12 x 85 Grade 10.9 Bolts & Nyloc Nuts
D	2	Short Clamp Plates	J	16	12 x 25 Flat Washers
E	2	Handed Side Arms	K	1	Exhaust Rubber

1. Locate Item **D** into existing hole on the underside of each chassis, using Item **G** with Item **J** loosely bolt Item **E** to existing forward hole in each chassis member. (See sketch for correct position of side arms.)
2. Locate Item **C** into existing hole on the underside of each chassis, using Item **G** with Item **J** loosely bolt Item **A** to existing rear holes in each chassis member. **NOTE:** Pull exhaust downwards so Item **A** can be positioned between exhaust and bumper.
3. Using Item **G** with Item **J** bolt Item **E** to Item **A**. (Side Arm with spacers fits the offside.)
4. Using Item **H** with Item **J** bolt Item **B** to Item **A**.
5. Using Item **F** bolt the ball bracket and wiring plate (not supplied in this kit) to the mounting plate.
6. Push Item **A** up and fully tighten all nuts and bolts and ensure the towbar is rigid and secure.



Note:

1. Recommended Torque Setting for M12 Grade 10.9 -139 Nm. (For other Torque Settings see notes overleaf.)
2. Nose load limits and vehicle manufacturers trailer / caravan weight limits must be observed.