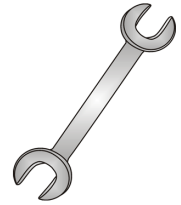




Tow-Trust Towbars

Important: Please read General Notes overleaf before fitting

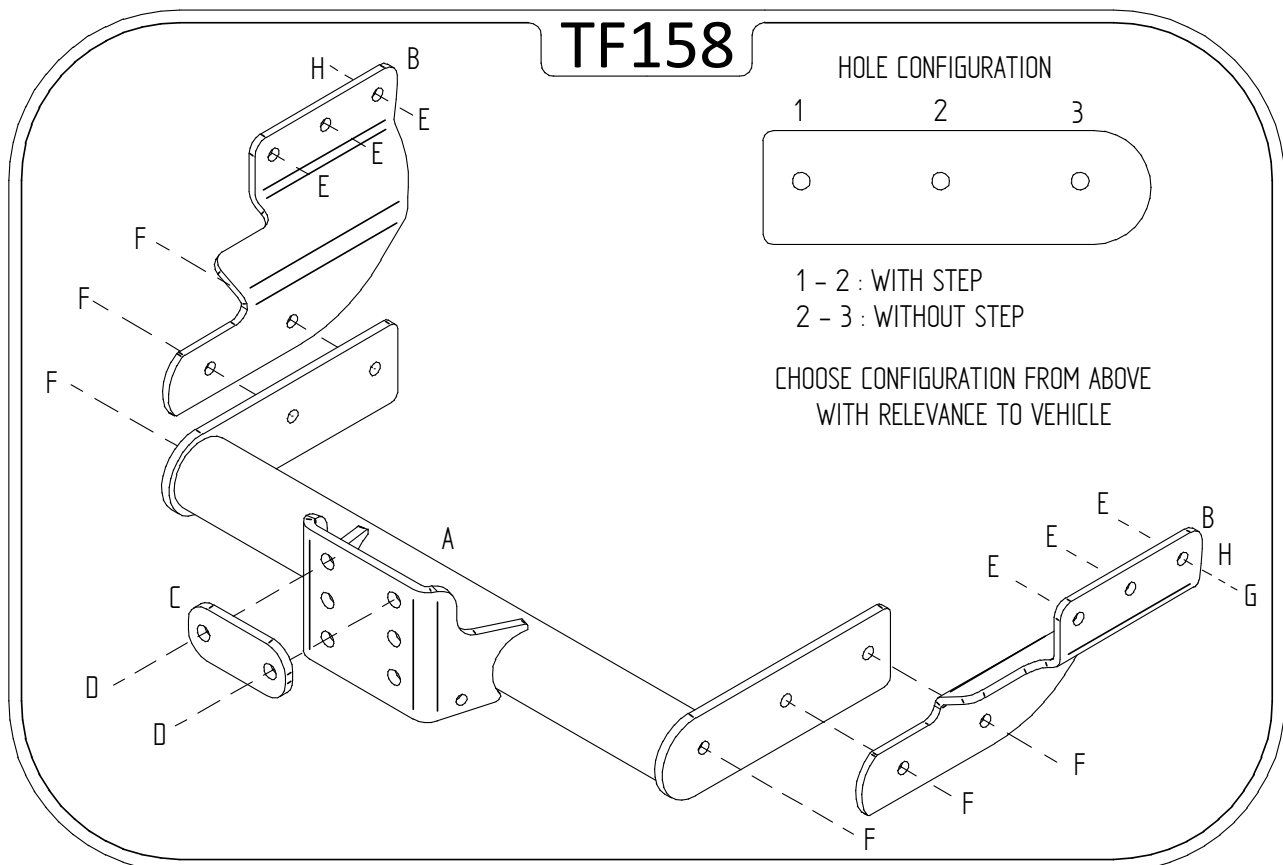


Issue 5

TF158 Ford Transit Van (All Models Inc Tourneo) 2000>

Item	Qty	Description	Item	Qty	Description
A	1	Crossmember	D	2	M16 x 50 Bolts, Nuts & S/P Washers
B	2	Handed Side Arms	E	6	M12 x 100 Bolts, 4 Nuts & 6 S/P Washers
C	1	Coupling Spacer	F	4	M12 x 35 Bolts, Nuts & S/P Washers
			G	4	12 x 30 Flat Washers
			H	2	12 x 40 Flat Washers

1. Lower the spare wheel for easy access.
2. Remove all bolts securing bumper brackets to each chassis.
3. Using item E with item G (at forward mounting hole flat washers item H are placed between item B and the chassis) loosely bolt item B to each chassis.
4. Using item F bolt item A to item B. Note: models with step item A is in extended position and models without step item A is bolted to rearmost holes.
5. Using item D with item C (if required) bolt the ball bracket and wiring plate (not supplied in this kit) to the mounting plate.
6. Fully tighten all nuts and bolts and ensure the Towbar is rigid and secure.
7. Replace spare wheel.



Note: nose load limits and vehicle manufacturer's trailer / caravan weight limits must be observed.