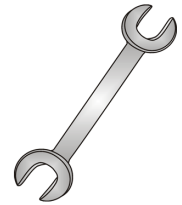




# Tow-Trust Towbars

Important: Please read General Notes overleaf before fitting

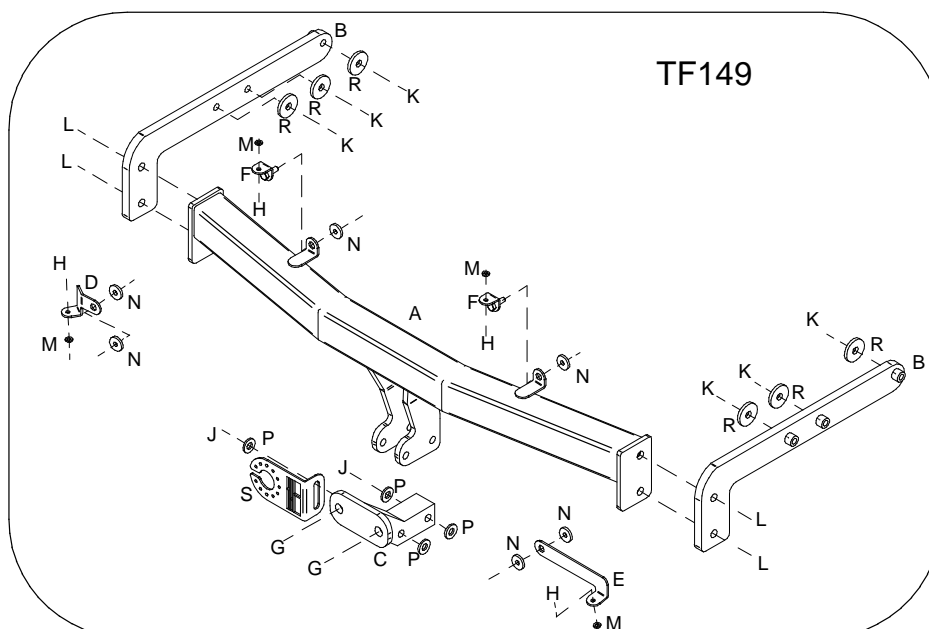


Issue 11

## TF149 Ford Galaxy 1995 - 2006 Volkswagen Sharan 1995 – 2010 Seat Alhambra 1996 - 2010

Item	Qty	Description	Item	Qty	Description
A	1	Crossmember	I	2	M8 x 25 Bolts, Nuts & S/P Washers
B	2	Side Arms	J	2	M12 x 85 Grade 10.9 Bolts & Nyloc Nuts
C	1	Extension Bar	K	6	M10 x 40 Bolts & S/P Washers
D	1	L/H Bumper Bracket	L	4	M12 x 40 Bolts, 2 Nuts & 4 S/P Washers
E	1	R/H Bumper Bracket	M	4	2BA Flat Washers
F	2	Angle Brackets	N	6	8 x 25 Flat Washers
G	2	M16 x 50 Bolts, Nuts & S/P Washers	P	4	12 x 25 Flat Washers
H	4	M5 x 20 Bolts, Nuts & S/P Washers	R	6	10 x 40 Flat Washers
			S	1	Socket Plate 1

- 1.** Lower the spare wheel; bend the small retaining bracket forward so that it does not foul the spare wheel.
- 2.** Remove the rear bumper. Three tip screws each side at each wheel arch and two nuts each side behind the bumper. NOTE: On facelift models 2000 onwards there is an additional fixing under the plastic trim below each light cluster. The plastic trim will slide rearward after the clips have been depressed. (Care must be taken not to crack the plastic.)
- 3.** Remove the inner bumper as this is no longer required.
- 4.** Temporarily remove the heat shield.
- 5.** Locate item **B** into the ends of each chassis and using item **K**, with item **R**, loosely bolt the side arms through the existing holes. NOTE due to variations in the hole positions it may be necessary to open the existing holes out.
- 6.** Using item **L** bolt item **A** to item **B**.
- 7.** Fully tighten all nuts and bolts.
- 8.** Using item **H** and item **M** bolt item **F** to the existing holes in the top edge of the bumper, at 510mm centres. Replace the bumper locating the bolts on item **F** with lugs on the towbar. Secure, using the two 8mm existing bumper nuts and item **N**. Replace the tip screws. Note: On models from 2000 (Face Lift) Item **F** is not required.
- 9.** Using item **H** with item **M** bolt item **D** and item **E** to the existing holes in the corners of the bumper. Note: On models from 2000 (Face Lift) Item **D** and Item **E** are not required.
- 10.** Using item **I** with item **N** bolt item **D** and item **E** to the existing bumper mounting points.
- 11.** Using item **J** and item **P** bolt item **C** and Item **S** to item **A**.
- 12.** Using item **G**, bolt the ball bracket (not supplied in this kit) to the mounting plate.



**Note:**

1. Recommended Torque Setting for M12 Grade 10.9 -130 Nm. (For other Torque Settings see notes overleaf.)
2. Nose load limits and vehicle manufacturer's trailer / caravan weight limits must be observed.