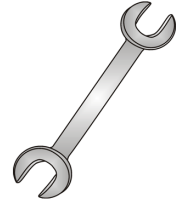




Tow-Trust Towbars

Important: Please read General Notes overleaf before fitting

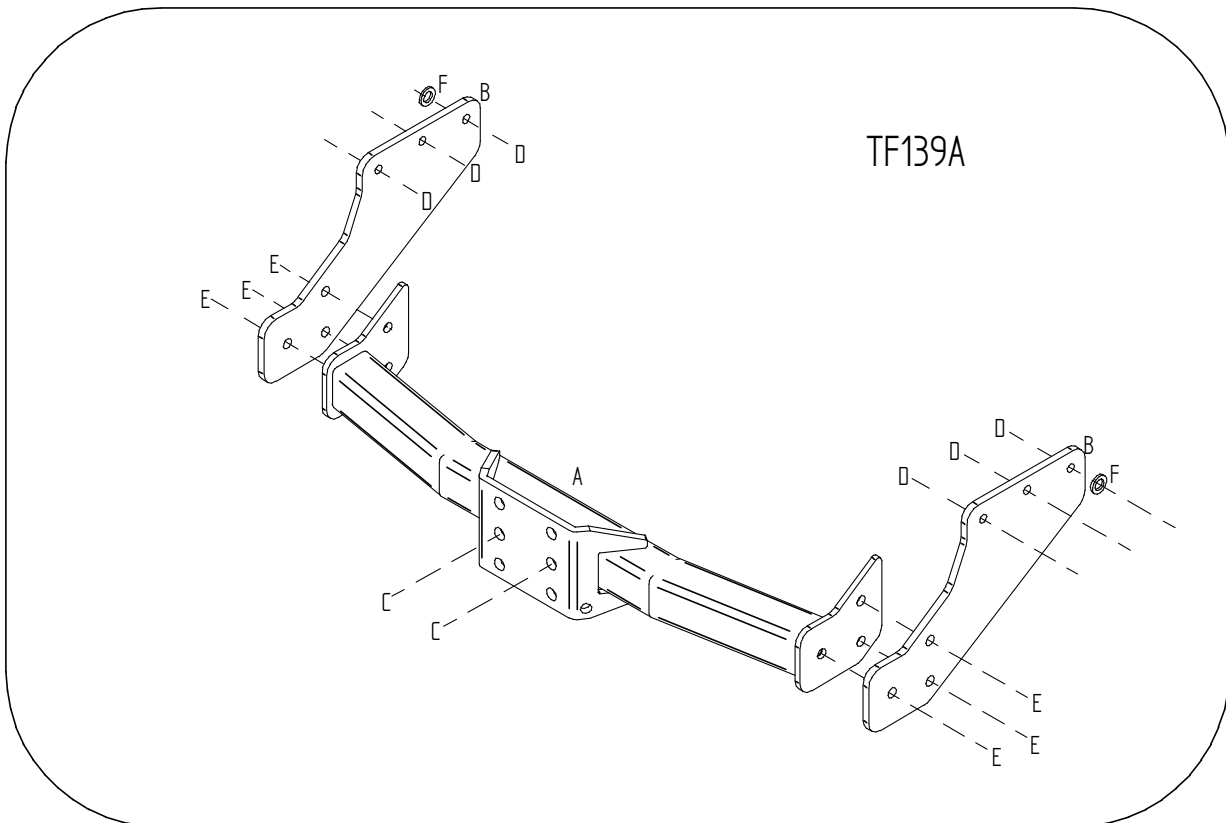


Issue 3

TF139A Transit Van & SWB Chassis Cab/Pickup 1986 - 2000 & Flareside 1994 - 2000

Item	Qty	Description	Item	Qty	Description
A	1	Crossmember	D	6	M10 x 100 Bolts Nuts & S/P Washers
B	2	Side Arms	E	6	M12 x 35 Bolts, 4 Nuts & 6 S/P Washers
C	2	M16 x 40 Bolts, Nuts & S/P Washers	F	2	10 x 40 Flat Washers

1. Lower the spare wheel.
2. Remove the existing bolts securing the rear bumper and towing eye.
3. Using Item **D** and Item **F** loosely bolt Item **B** to inside face of each chassis member.
4. Using Item **E** loosely bolt Item **A** to Item **B**.
5. Using Item **C** bolt the ball bracket and wiring plate (not supplied in this kit) to the O.mounting plate.
6. Fully tighten all nuts and bolts and ensure the Towbar is rigid and secure.
7. Replace the spare wheel.



Note: nose load limits and vehicle manufacturers trailer / caravan weight limits must be observed.