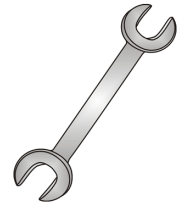




Tow-Trust Towbars

Important: Please read General Notes overleaf before fitting

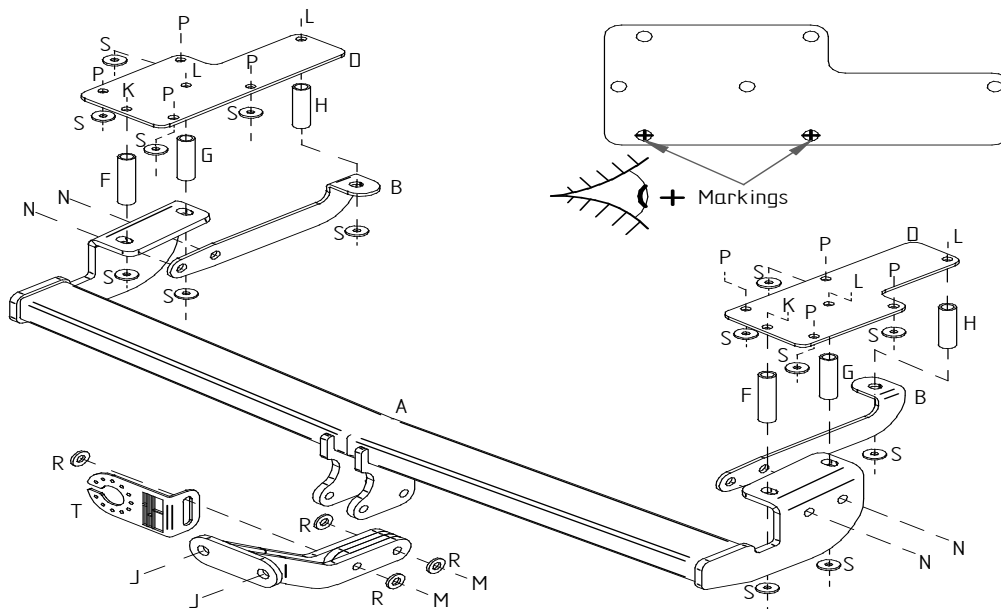


Issue 5

TF1038 FIAT SEDICI 2WD - 4WD SUZUKI SX4 2WD – 4WD 2006>

Item	Qty	Description	Item	Qty	Description
A	1	Crossmember	J	2	M16 x 50 Bolts, Nuts & S/P Washers
B	1	L/H Side Arm	K	2	M10 X 120 Bolts, Nuts & S/P Washers
C	1	R/H Side Arm	L	4	M10 x 110 Bolts, Nuts & S/P Washers
D	2	Clamp Plates	M	2	M12 x 85 Grade 10.9 Bolts & Nyloc Nuts
E	1	Extension Bar	N	4	M12 x 35 Bolts, Nuts & S/P Washers
F	2	19 x 86 Spacer Bushes	P	8	M10 x 25 Bolts, Nuts & S/P Washers
G	2	19 x 75 Spacer Bushes	R	4	12 x 25 Flat Washers
H	2	19 x 73 Spacer Bushes	S	14	10 x 25 Flat Washers
			T	1	Socket Plate

- Remove the rear bumper, two fixings on rear panel, two fixings on underside of bumper and three fixings around each wheel arch.
- It may give more clearance to temporarily lower the rear exhaust.
- Fold the seats forward and remove the boot floor covering.
- Remove left and right side coverings.
- Locate the holes in Item **D** over the factory fixing points inside the boot (see sketch). Mark off and drill 11mm holes down through the chassis (central three holes) and down through the boot floor (outer four holes).
- Open out to 20mm the three top holes only above the chassis members.
- Locate Item **F** (rearmost hole) Item **G** (centre hole) and Item **H** (forward hole) down into each chassis. Place Item **D** inside the boot and over the spacer bushes.
- Pass Item **K** and Item **L** down through the clamp plates and spacer bushes. (See sketch).
- Using the nuts and Item **S** loosely bolt Item **A** to the underside of the chassis.
- Using the nuts and Item **S** loosely bolt Item **B** and Item **C** to the forward bolt (Item **L**).
- Using Item **N** bolt Item **B** and Item **C** to Item **A**.
- Using Item **P** with Item **S** bolt Item **D** to the boot floor.
- Using Item **M** with Item **R** bolt Item **E** to Item **A**.
- Using Item **J** bolt the ball bracket and wiring plate (not supplied in this kit) to the mounting plate.
- Fully tighten all nuts and bolts and ensure the towbar is rigid and secure.
- Cut a section from the lower edge of the bumper 65mm wide x 80mm deep.
- Replace exhaust (if lowered), rear bumper and all trim.



Note:

- Recommended Torque Setting for M12 Grade 10.9 -139 Nm. (For other Torque Settings see notes overleaf.)
- Nose load limits and vehicle manufacturers' trailer / caravan weight limits must be observed.