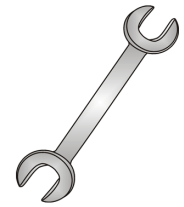




Tow-Trust Towbars

Important: Please read General Notes overleaf before fitting



Issue 1

TDAC2 DACIA SANDERO Inc. STEPWAY 2012> / LOGAN SAL 2013>

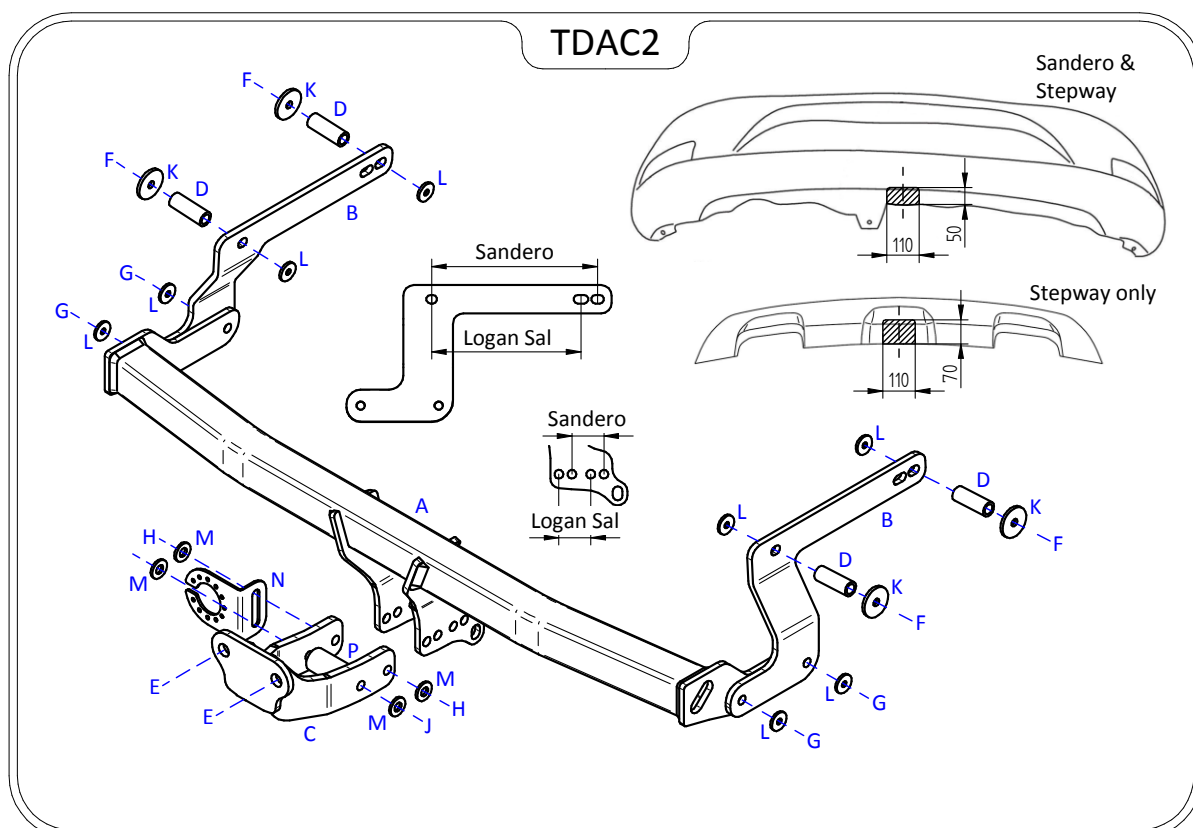
Item	Qty	Description	Item	Qty	Description
A	1	TDAC2 Crossmember	E	2	M16 x 50 Bolts, Nuts & S/P Washers
B	2	Handed Side Arms	F	4	M10 x 90 Bolts, Nuts & S/P Washers
C	1	Extension	G	4	M10 x 35 Bolts, Nuts & S/P Washers
D	4	19mm O/D x 52mm Spacer Long Tube	H	2	M12 x 40 Bolts & Nyloc Nuts
			J	1	M12 x 130 Bolt (10.9) & Nyloc Nut
			K	4	10 x 40 Flat Washers
			L	8	10 x 25 Flat Washers
			M	4	12 x 25 Flat Washers
			N	1	Socket Plate 1
			P	1	30mm O/D x 60mm Long Spacer Tube

BUMPER REMOVAL: (No Bumper Removal Required On Logan Sal)

1. Remove rear light clusters, One fixing inside boot area either side, when light is removed this will reveal one bumper fixing to be removed either side.
2. Remove four fixings along the top edge of bumper around boot opening, two fixings in each wheel arch, three fixings along the lower edge as well as one fixing either side inside the bumper accessed from under the vehicle. Unplug any necessary wiring looms.
3. Lower the rear exhaust and support.

TOWBAR INSTALLATION:

1. Locate the Towbar mounting points, these will be cover with tape or plastic grommets. Remove all mastic and under seal before fitting the Towbar assembly.
2. Carefully insert Items **D** into each chassis member being careful not to drop inside. Using Item **F** with Item **K** and Item **L** fit Items **B** to the inside face of each chassis.
3. Using Item **G** with Item **L** fit Item **A** between each side arm.
4. Using Item **H** with Item **M** and Item **J** with Item **M** fit Item **C** and Item **N** to Item **A** ensuring Item **P** is fitted between the rearmost point.
5. Using Item **E** fit your desired ball bracket (Not supplied in this kit) to Item **C**.
6. Fully tighten all fixings ensuring the Towbar is rigid, square and secure.
7. Cut the rear bumper as shown below and refit with the light clusters. Rehang the exhaust system. (No Cut required on Logan Sal).



Note:

1. Recommended Torque Setting for M12 Grade 10.9 -139 Nm. (For other Torque Settings see notes overleaf.)
2. Nose load limits and vehicle manufacturers trailer / caravan weight limits must be observed.