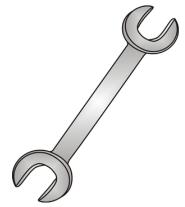




Tow-Trust Towbars

Important: Please read General Notes overleaf before fitting

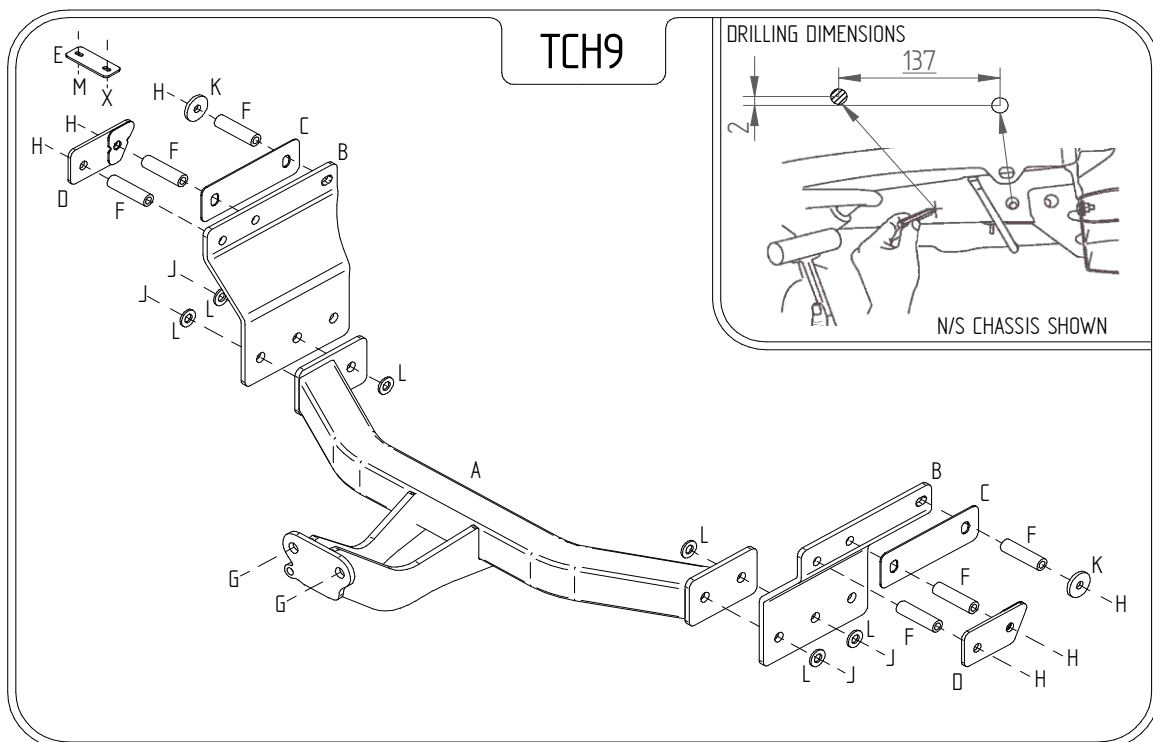


Issue 2

TCH9 CHRYSLER SEBRING & DODGE AVENGER 2007>

Item	Qty	Description	Item	Qty	Description
A	1	Crossmember	G	2	M16 x 50 Bolts, Nuts & S/P Washers
B	2	Handed Side Arms	H	6	M12 x 110 Bolts & Nyloc Nuts
C	2	Spacer Plates	J	4	M14 x 40 Bolts, 2 Nuts & 4 S/P Washers
D	2	Clamp Plates	K	2	12 x 40 Flat Washers
E	1	Air Conditioning Bracket	L	6	14 x 27 Flat Washers
F	6	19mm x 70mm Spacer Tubes	M	1	M6 x 20 Bolt, Nut & S/P Washer

1. Remove the rear bumper, three fixings around wheel arch, two fixings along the lower edge and four fixings along the top edge. (**SEBRING ONLY:** Remove rear light clusters to reveal one bumper fixing under each cluster).
2. **SEBRING ONLY:** Cut the lower edge centrally 100mm wide x 40mm deep.
3. On the near side lower face of the chassis member remove the fixing that attaches the air conditioning unit and lower.
4. Mark both outer faces of the chassis members and drill forward most mounting point as seen in sketch below. **NOTE:** Drill 13mm through both faces and open outer face only to 20mm.
5. Using Item H, D, K, F & C bolt Items B to each correct chassis as shown in sketch below.
6. Using the original fixing and Item M refit air conditioning unit in new position next to item B.
7. Using Item J with Item L bolt Item A between side arms (Item B).
8. Using Item G bolt the ball bracket and wiring plate (not supplied in this kit) to Item A.
9. Fully tighten all nuts and bolts ensuring Towbar is rigid and secure.
10. Refit the rear bumper.



Note:

1. Recommended Torque Setting for M12 Grade 10.9 -139 Nm. (For other Torque Settings see notes overleaf.)
2. Nose load limits and vehicle manufacturer's trailer / caravan weight limits must be observed.