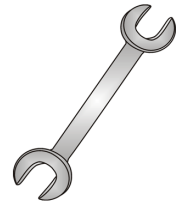




Tow-Trust Towbars

Important: Please read General Notes overleaf before fitting

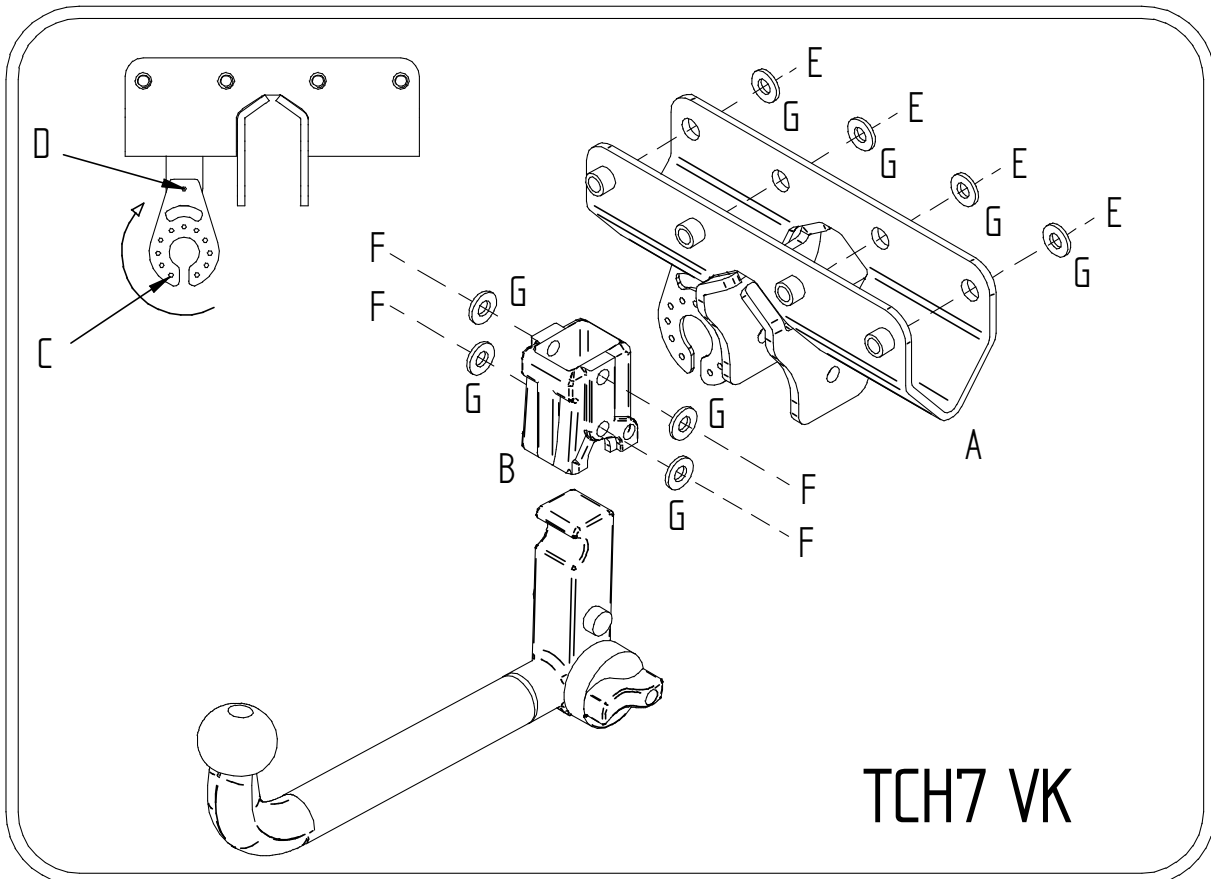


Issue 3

TCH7VK JEEP WRANGLER (JK) 2007>

Item	Qty	Description	Item	Qty	Description
A	1	Channel	D	1	M8 x 50 Bolt & M8 Nyloc Nut
B	1	Detachable Housing	E	4	M12 x 110 Bolts Grade 10.9 & S/P Washers
C	1	Socket Plate	F	4	M12 x 22 Bolts & S/P Washers
			G	8	12 x 25 Flat Washers

1. Lower the exhaust silencer and support to prevent any damage, locate Towbar mounting points on rear cross member of vehicle.
2. Using item F with item G loosely bolt item B to item A.
3. Using item E with item G bolt the Towbar assembly to the existing holes in the rear Crossmember of the vehicle.
4. Fully tighten all nuts and bolts and ensure Towbar is rigid and secure.
5. Refit the exhaust silencer to hanger.



NOTE: Nose load limits and vehicle manufacturer's weight limits must be observed.