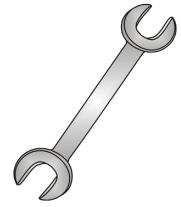




Tow-Trust Towbars

Important: Please read General Notes overleaf before fitting

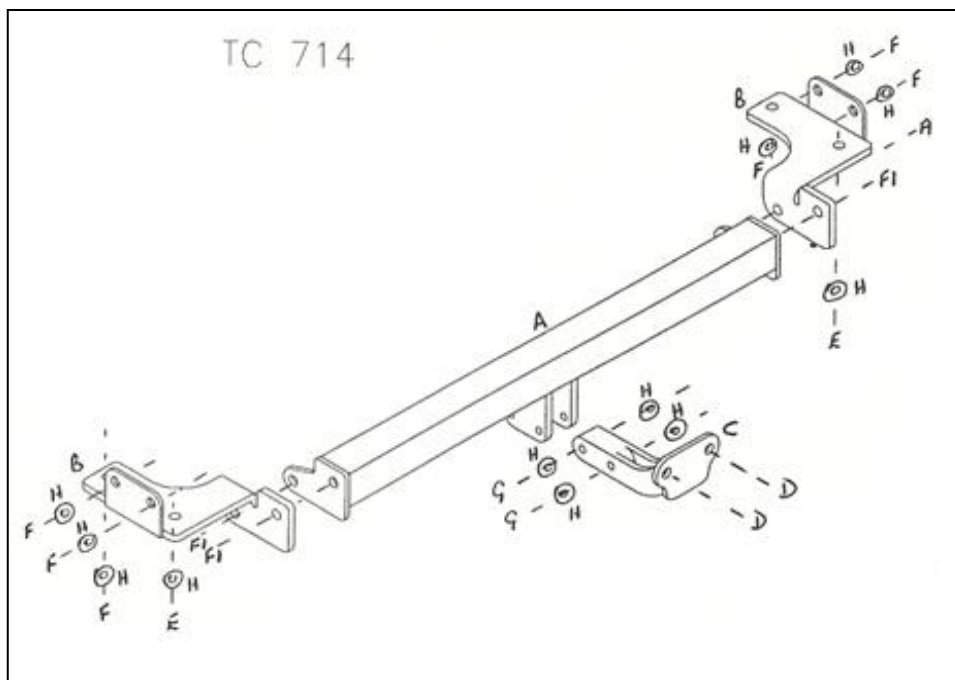


Issue 3

TC714 Mitsubishi Grandis 2004>

Item	Qty	Description	Item	Qty	Description
A	1	Crossmember	D	2	M16 x 50 Bolts, Nuts & S/P Washers
B	2	Handed Side Arms	E	2	M12 x 50 x 1.25 Bolts & S/P Washers
C	1	Extension Bar	F	6	M12 x 35 x 1.25 Bolts & 6 S/P Washers
			F1	4	M12 x 35 Bolts, 2 Nuts & 4 S/P Washers
			G	2	M12 x 90 Grade 10.9 Bolts & Nyloc Nuts
			H	12	12 x 25 Flat Washers
			J	2	Exhaust Rubbers

1. Temporarily remove the clips from the lower edge of the bumper.
2. Lower the spare wheel and temporarily remove the spare wheel hanger hook.
3. Remove the under tray from the left hand side.
4. Remove the towing eye from the left hand chassis member.
5. Temporarily remove the three rearmost exhaust rubbers to lower the exhaust. **Note:** It is advisable to support the exhaust during this process.
6. Using Item F with Item H loosely bolt Item B to the existing captive nuts in the outside face of each chassis member.
7. Using Item E with Item H loosely bolt Item B to the rearmost captive nut in the lower face of each chassis member.
8. Using Item F with Item H loosely bolt Item B to the forward captive nut in the lower face of each chassis member.
9. Locate Item A up inside the bumper (take care not to trap the plastic tabs against the towbar). Using Item F1 bolt Item A to Item B.
10. Using Item G with Item H bolt Item C to Item A.
11. Using Item D bolt the ball bracket and wiring plate (not supplied in this kit) to the mounting plate.
12. Fully tighten all nuts and bolts and ensure the towbar is rigid and secure.
13. Using Item J remount the exhaust at the rearmost two points.
14. Replace under tray and bumper clips.
15. Replace spare wheel hanger hook and spare wheel.



Note:

1. Recommended Torque Setting for M12 Grade 10.9 -139 Nm. (For other Torque Settings see notes overleaf.)
2. Nose load limits and vehicle manufacturer's trailer / caravan weight limits must be observed.