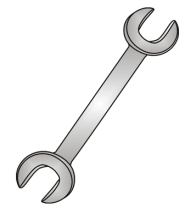




Tow-Trust Towbars

Important: Please read General Notes overleaf before fitting



Issue 2

TC713B FIAT FULLBACK 2016> / MITSUBISHI L200 2006> (Inc. SERIES 5 & 6)

Item	Qty	Description	Item	Qty	Description
A	1	TC713B Crossmember	G	2	M16 x 60 Bolts & Nyloc Nuts
B	2	Side Arms	H	12	M12 x 40 Bolts, 8 Nyloc Nuts & 4 S/P Washers
C	2	Angle Brackets	J	2	M12 x 35 Bolts & Nyloc Nuts
D	2	Chassis Adaptors	K	4	M14 x 40 Bolts, Nyloc Nuts & 2 S/P Washers
E	1	Coupling Spacer	L	24	12 x 25 Flat Washers
F	4	M12 Clamp Plates	M	8	14 x 27 Flat Washers
			N	4	10 x 50 Flat Washers
			X	4	Original Bumper Fixings

Vehicles With Bumper Or Chrome Step.

1. Bumper Style 1: One side at a time remove the three existing nuts securing the bumper step to chassis member and remove the existing spacer and clamp plate with captive bolts, insert Item **B** into the gap where the spacer was and fix in place using Item **H** with Item **L** and Item **F** at the forward most mounting point. (Club Cab & Series 6 models will also require Item **D** to be fitted at this stage, see page 2). (If small Black round bar is fitted this does not get refitted with Towbar assembly)
2. Bumper Style 2: Remove bumper from points **X**. Discards Black round bar and brackets.

Vehicles With No Bumper Or Chrome Step.

1. Remove the two fixings either side securing the Black round bar and discard bar and fixings.
2. Using Item **H** with Item **L** fix Items **B** to each chassis member using Item **F** at the forward most mounting point. (Club Cab & Series 6 will also require Item **D** to be fitted at this stage, see page 2).

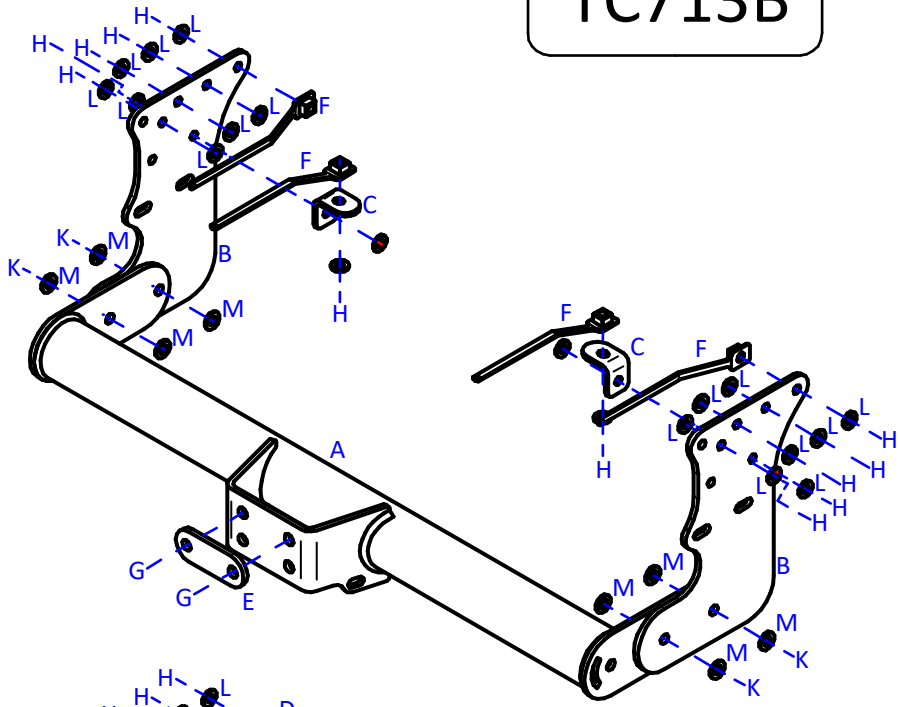
All Models

1. Locate Item **F** inside each chassis member and line up with the vertical mounting point (Series 6 doesn't use Item **F**), using Item **H** with Item **L** fix Items **C** to Items **B** and the vertical mounting point. (Club Cab & Series 6 models also require Item **J** and Item **L** to fix Item **B** and Item **D** together).
2. Using Item **K** with Item **M** fix Item **A** between each side arm.
3. Using Item **G** and Item **E** fix your desired ball bracket and wiring plate (not supplied in this kit) to Item **A**.
4. Fully tighten all fixings ensuring the Towbar is rigid, square and secure.
5. Bumper Style 2: Using Item **X** fix bumper to Items **B** (It may be necessary to use Item **N** as spacers).

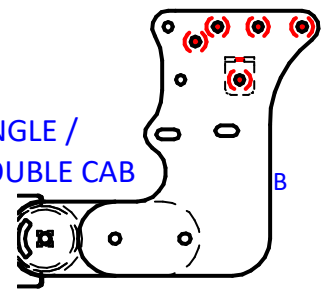
Note:

1. Recommended Torque Setting for M12 Grade 10.9 -130 Nm. (For other Torque Settings see notes overleaf.)
2. Nose load limits and vehicle manufacturers trailer / caravan weight limits must be observed.

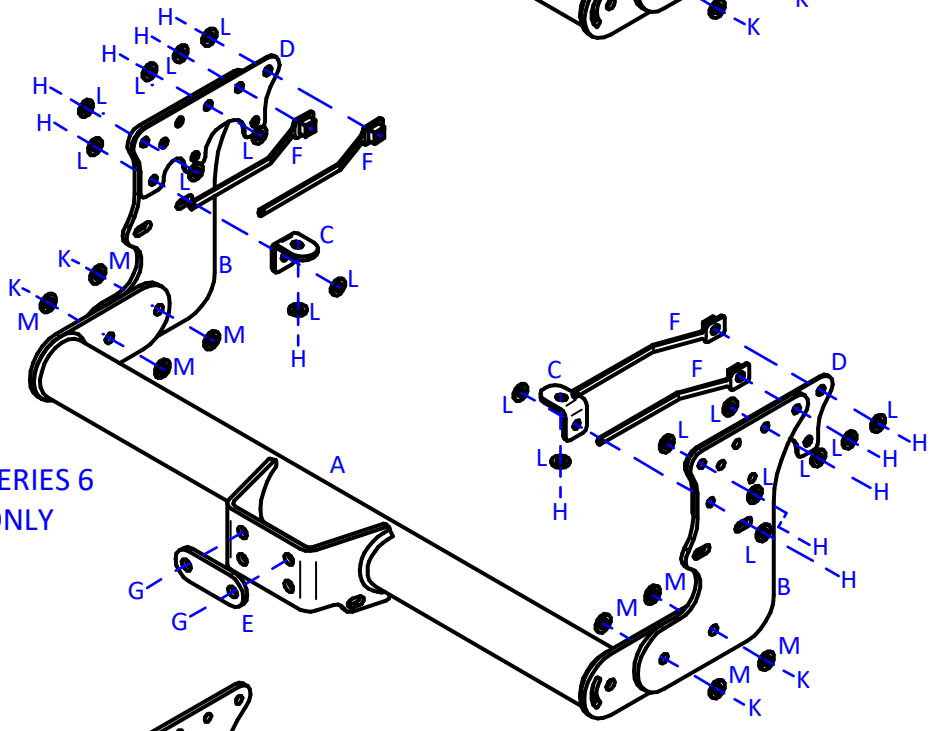
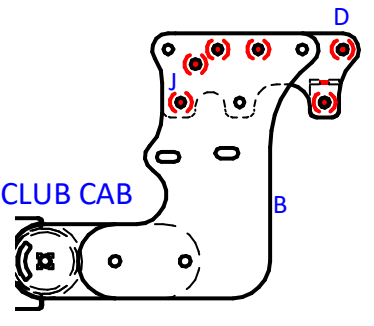
TC713B



SINGLE /
DOUBLE CAB

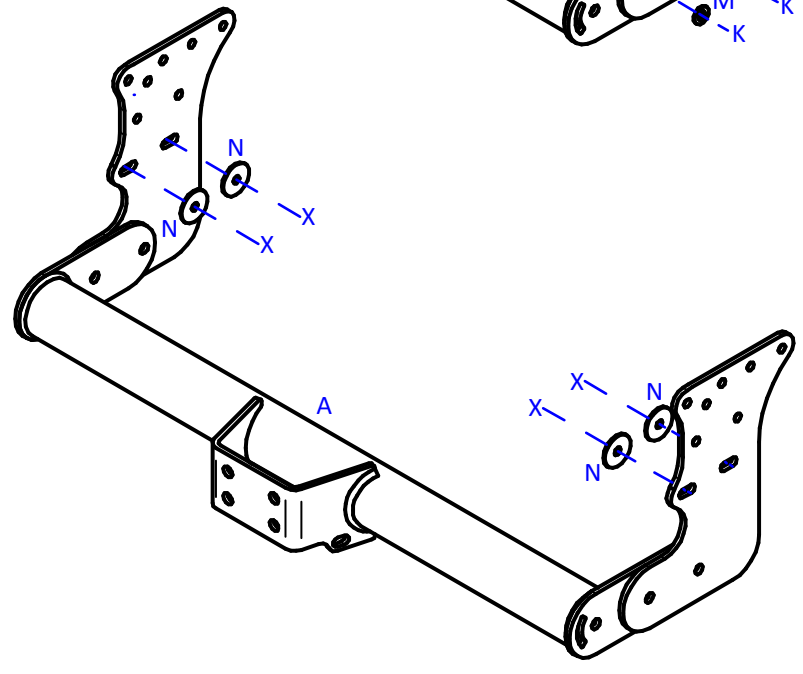
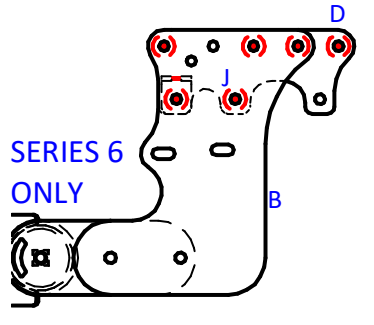


CLUB CAB

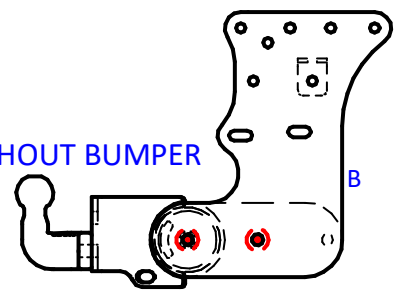


SERIES 6
ONLY

SERIES 6
ONLY



WITHOUT BUMPER



WITH BUMPER
or CHROME STEP

