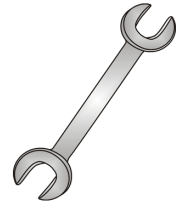




# Tow-Trust Towbars

Important: Please read General Notes overleaf before fitting

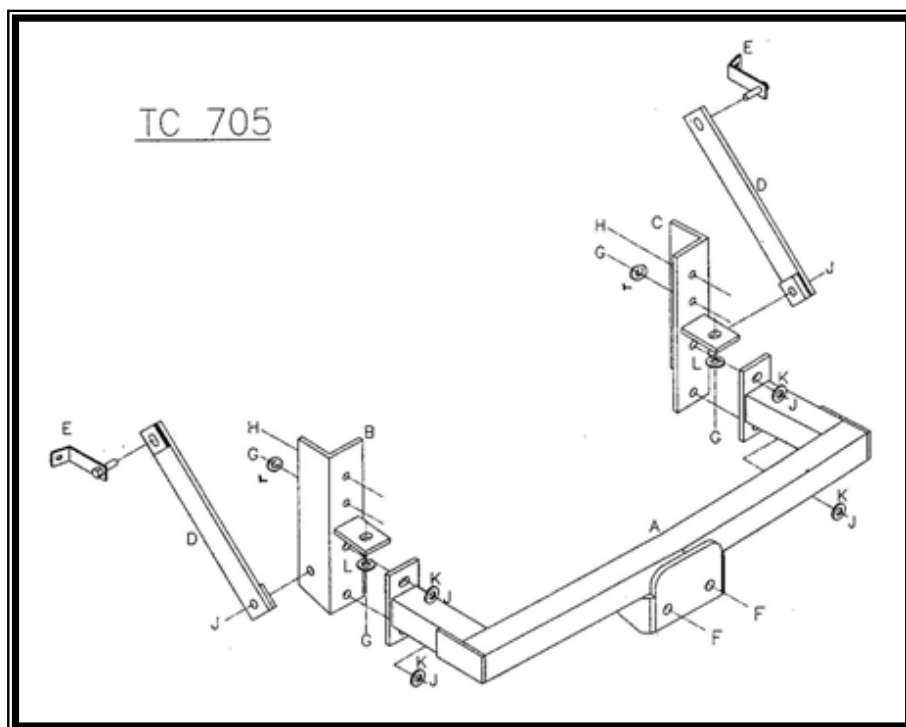


Issue 1

## TC705 Mitsubishi Delica 4X4 MPV Series PE8W/PD8W 1994>

Item	Qty	Description	Item	Qty	Description
A	1	Crossmember	F	2	M16 x 50 Bolts, Nuts & S/P Washers
B	1	L/H Angle Bracket	G	4	M10 x 35 x 1.25 Bolts & S/P Washers
C	1	R/H Angle Bracket	H	2	M10 x 1.25 Nuts & S/P Washers
D	2	Side Arms	J	6	M12 x 40 Bolts, Nuts & S/P Washers
E	2	Clamp Straps with Bolts, Nuts & Washers	K	6	12 x 25 Flat Washers
			L	4	10 x 25 Flat Washers

1. Remove the existing nut (if fitted) from the stud, each side located on the forward face of the rear panel.
2. Place Item **B** and Item **C** onto each stud and loosely bolt using the existing nut or Item **H**.
3. Using Item **G** loosely bolt Item **B** and Item **C** to the existing captive nuts in the rear panel.
4. Using Item **G** with Item **L** loosely bolt Item **B** and Item **C** to the existing captive nuts in the bottom face of the rear panel.
5. Fully tighten all nuts and bolts.
6. Using Item **J** with Item **K** loosely bolt Item **A** to Item **B** and Item **C**.
7. Locate Item **E** through the large hole in each chassis member and into the existing hole on the inside face of each chassis member. Loosely bolt Item **D** to these bolts.
8. Using Item **J** bolt Item **D** to Item **B** and Item **C**.
9. Using Item **F** bolt the ball bracket and wiring plate (Not supplied with this kit) to the mounting plate.
10. Fully tighten all nuts and bolts and ensure the towbar is rigid and secure.



- Note:** 1. Recommended Torque Setting for M12 Grade 10.9 -139 Nm. (For other Torque Settings see notes overleaf.)  
2. Nose load limits and vehicle manufacturer's trailer / caravan weight limits must be observed.