



Tow-Trust Towbars

Important: Please read General Notes overleaf before fitting

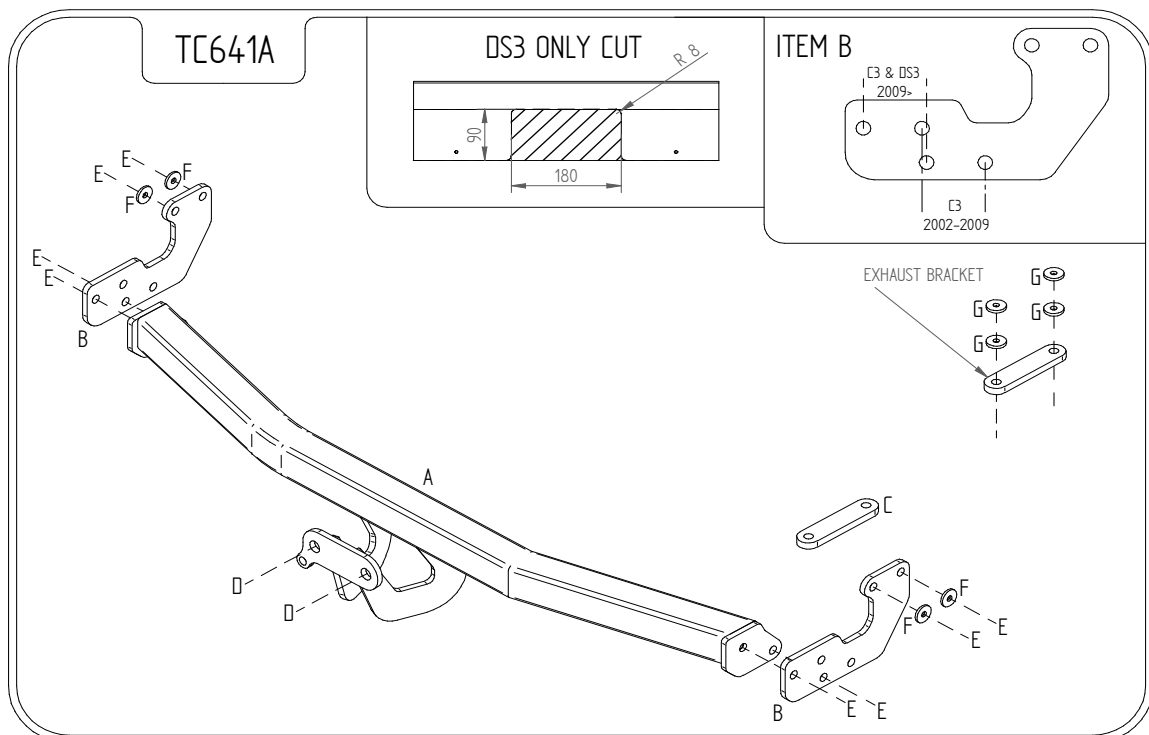


Issue 2

TC641A Citroen C3 2002 – 2009 C3 2009> DS3 2010>

Item	Qty	Description	Item	Qty	Description
A	1	Crossmember	D	2	M16 x 40 Bolts, Nuts & S/P Washers
B	2	Side Plates	E	8	M10 x 30 Bolts, 2 Nuts & 8 S/P Washers
C	1	Spacer	F	4	10 x 25 Flat Washers
			G	4	8 x 25 Flat Washers

1. Remove the two plugs and the two screws that secure the bottom edge of the bumper.
2. Remove the plastic plug each side (located by the top spring mounting) securing the mudguard.
3. Pull the rear edge of each mudguard out to allow access to the towbar mounting points. (These are covered with tape.)
4. Temporarily remove the two flanged nuts that secure the rear rubber exhaust mounting and pull exhaust mounting off the studs. Place Item C over the two existing studs and replace rubber mounting and flange nuts. **(ONLY IF EXTRA EXHAUST CLEARANCE IS NEEDED).**
5. Using Item E with Item F loosely bolt Item B to the right hand and left hand mounting points (outer face of chassis).
6. Locate Item A inside the bumper and over the exhaust (Take care not to damage rear face of bumper with the towbar). **(NOTE DS3 BUMPER NEEDS TO BE CUT SEE SKETCH).**
7. Using Item E loosely bolt Item A to Item B.
8. Fully tighten all nuts and bolts and ensure the towbar is rigid and secure.
9. Temporarily remove the two flanged nuts that secure the rubber exhaust mounting at the forward end of the silencer. Pull exhaust mounting off the studs. Place two of Item G on each stud and replace rubber mounting and flanged nuts. **(ONLY IF EXTRA EXHAUST CLEARANCE IS NEEDED).**
10. Tighten the rear flanged nuts on the exhaust mounting.
11. Replace each mudguard and bumper plugs and screws.
12. Using Item D bolt the ball bracket and wiring plate (not supplied in this kit) to the mounting plate.



Note: nose load limits and vehicle manufacturers trailer / caravan weight limits must be observed.