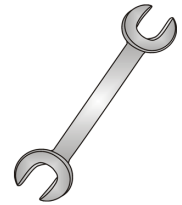




# Tow-Trust Towbars

Important: Please read General Notes overleaf before fitting

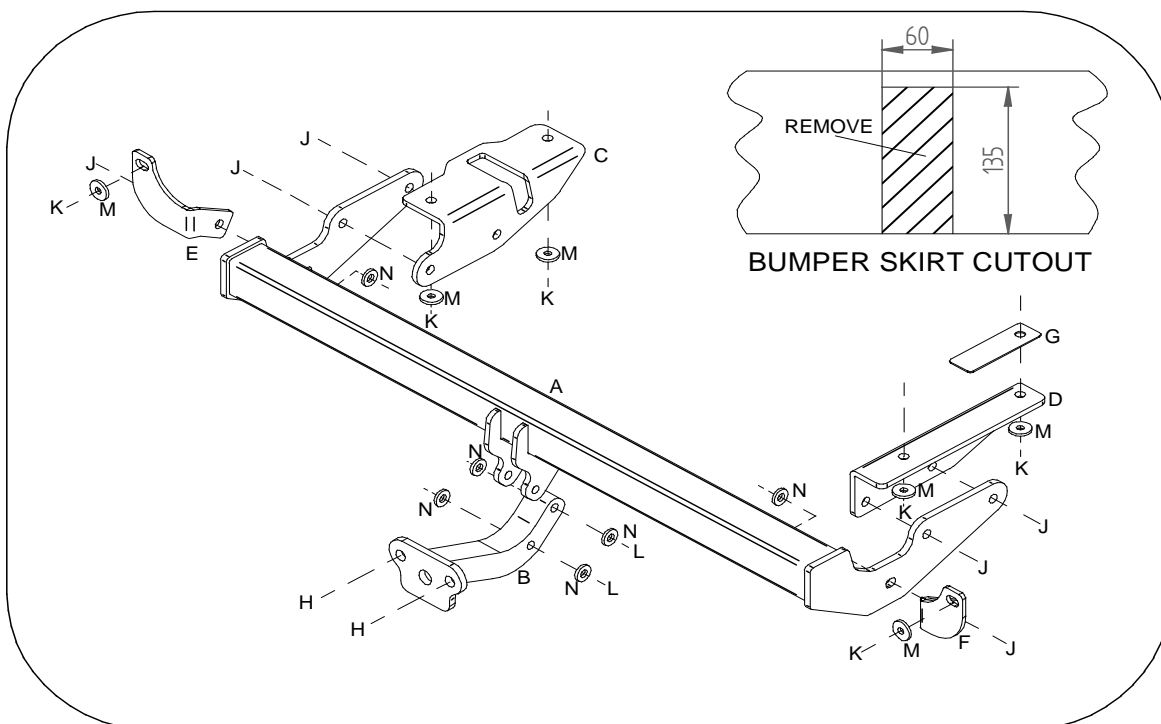


Issue 5

## TC640 Citroen C5 Estate 2001 - 2008

Item	Qty	Description	Item	Qty	Description
A	1	Crossmember	H	2	M16 x 50 Bolts Nuts & S/P Washers
B	1	Extension Bar	J	6	M12 x 30 Bolts Nuts & S/P Washers
C	1	L/H Side Arm	K	6	M10 x 40 Bolts & S/P Washers
D	1	R/H Side Arm	L	2	M12 x 85 Grade 10.9 Bolts & Nyloc Nuts
E	1	L/H Bracket	M	6	10 x 30 Flat Washers
F	1	R/H Bracket	N	6	12 x 25 Flat Washers
G	1	Spacer Plate			

1. Remove the plastic underskirt. (Four fixings underneath the rear valance and one fixing forward of the exhaust hanger).
2. Temporarily remove the exhaust rubber from the rear hanger.
3. Using item K with item M loosely bolt item D and item G to the existing threaded holes in the lower face of the right hand chassis member.
4. Using item K with item M loosely bolt item C to the existing threaded holes in the lower face of the left hand chassis member.
5. Using item J loosely bolt item A to item C and item D.
6. 2004 Facelift Models Only: Using item J with item N loosely bolt item E and item F to item A and to the chassis with Item K and Item M.
7. Fully tighten all nuts and bolts and ensure the towbar is rigid and secure.
8. Replace exhaust Rubber.
9. Cut a slot in the underskirt 60mm x 135mm and re-fit. NOTE the underskirt can be left off the vehicle and re-fitted if the towbar is removed.
10. Using item L with item N bolt item B to Item A.
11. Using item H bolt the ball bracket and wiring plate (not supplied in this kit) to the mounting plate.



**Note:**

1. Recommended Torque Setting for M12 Grade 10.9 -139 Nm. (For other Torque Settings see notes overleaf.)
2. Nose load limits and vehicle manufacturers' trailer / caravan weight limits must be observed.