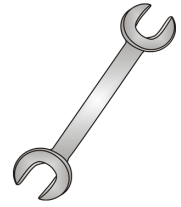




# Tow-Trust Towbars

Important: Please read General Notes overleaf before fitting

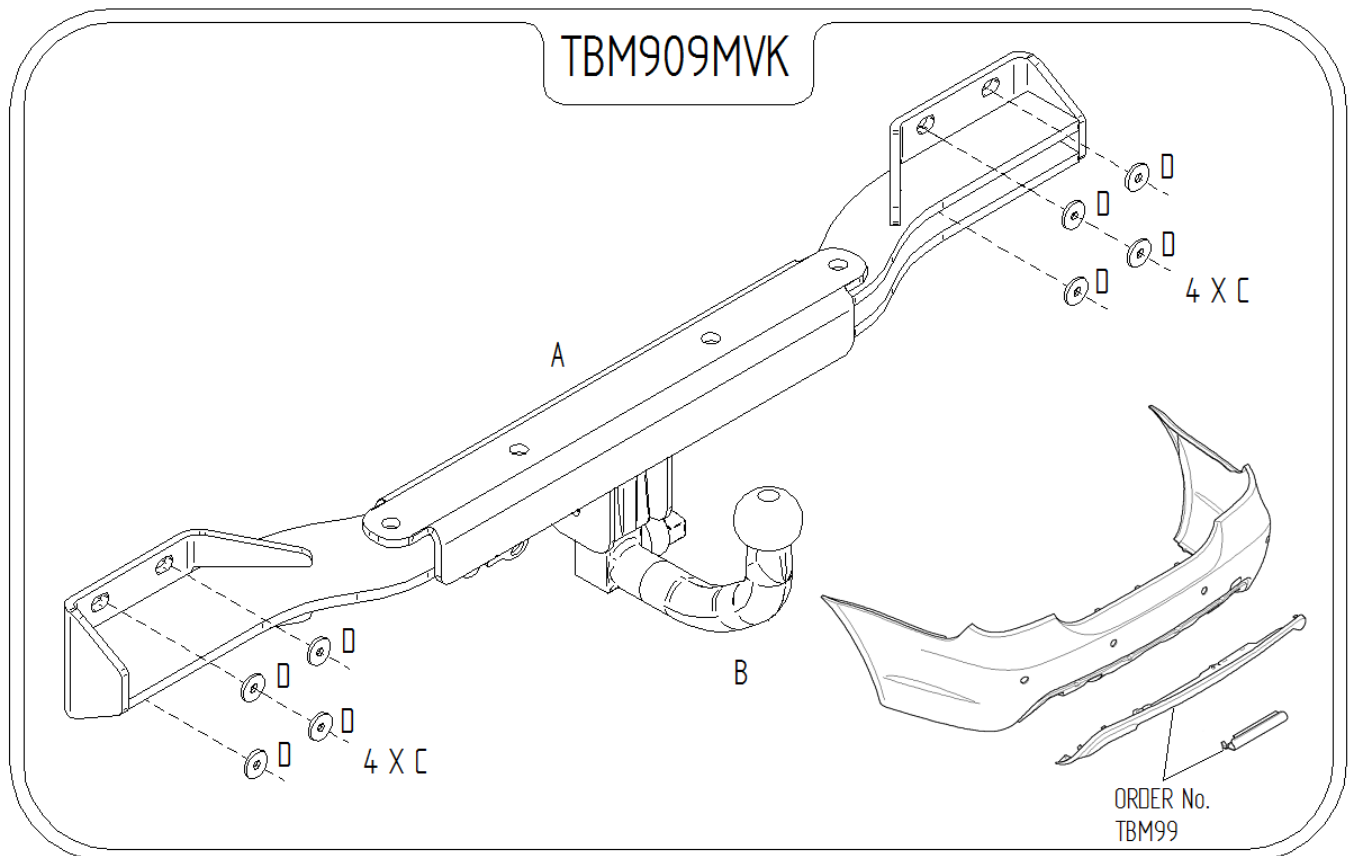


Issue 3

## TBM 909MVK BMW 5 Series Saloon (E60) 2003 - 2010 & Estate (E61) 2004 - 2010 MODELS FITTED WITH M-SPORTS BUMPER

Item	Qty	Description	Item	Qty	Description
A	1	Crossmember	C	8	M10 x 35 Bolts Grade 10.9 & S/P Washers
B	1	Detachable Neck	D	8	10 X 25 Flat Washers

1. Remove the rear bumper. Two fixing behind the side trim panels (Saloon only) five clips around each wheel arch, and clips along the bottom edge.
2. Temporarily disconnect reversing sensors.
3. Remove bumper inner beam/arms. (These are not refitted.)
4. Cut a section from the lower edge of bumper TO SUIT TOW FLAP COVER. (ORDER SEPARATELY) (**WE AT TOW-TRUST RECOMMEND**; USE BOTH PARTS OF THE TOW FLAP CONSISTING OF FLAP AND DIFFUSER. BY USING THESE PARTS NO CUTTING IS REQUIRED).
5. Using Item C with Item D bolt Item A to the existing captive nuts on the rear panel.
6. Fully tighten all bolts and ensure the towbar is rigid and secure.
7. Refit bumper and reversing sensors.



### Note:

1. Recommended Torque Setting for M12 Grade 10.9 -139 Nm. (For other Torque Settings see notes overleaf.)
2. Nose load limits and vehicle manufacturer's trailer / caravan weight limits must be observed.