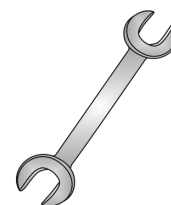




Tow-Trust Towbars

Important: Please read General Notes overleaf before fitting



Issue 1

TAD4VK AUDI Q5 2017>

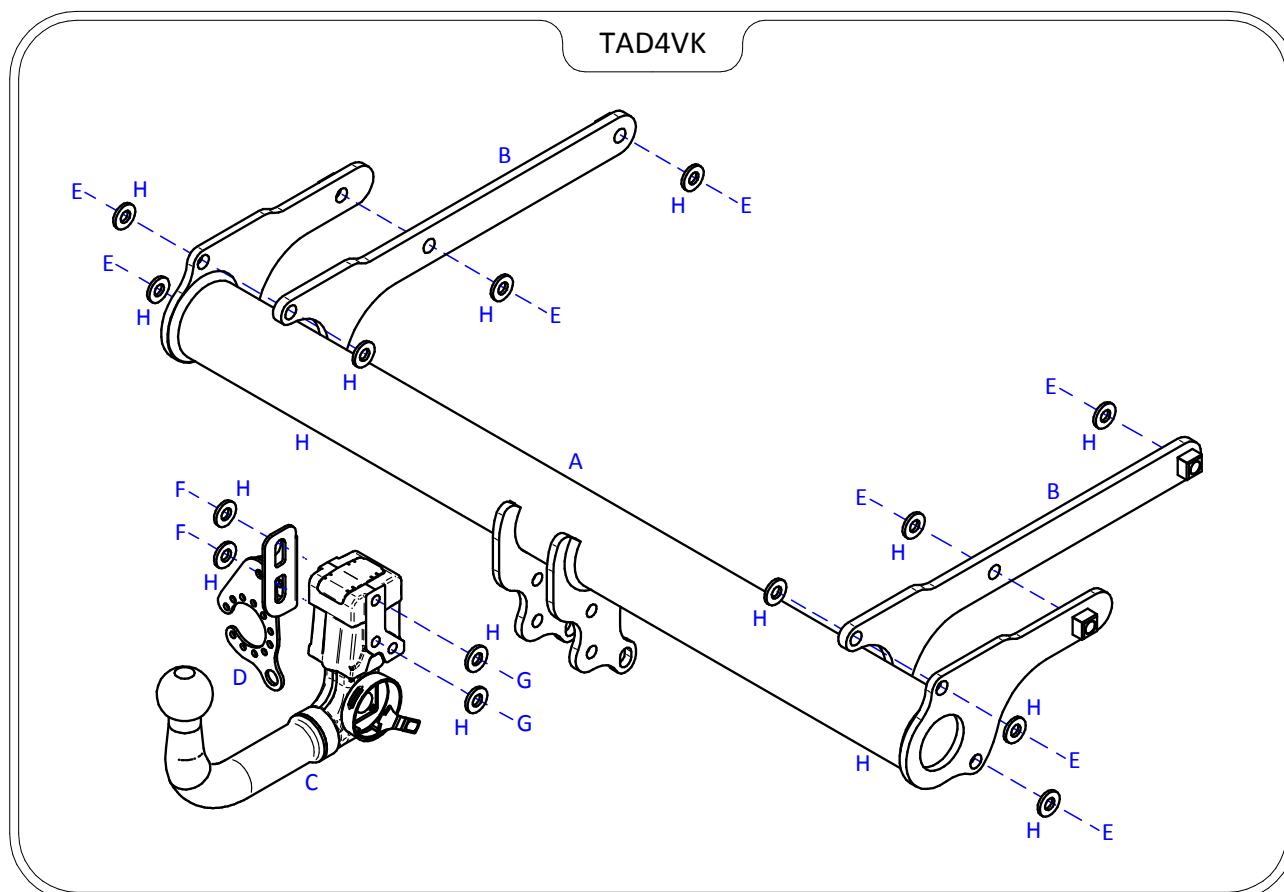
Item	Qty	Description	Item	Qty	Description
A	1	TAD4 Crossmember	D	1	Flip Up Socket Plate (TTFP/LH)
B	2	Handed Side Arms	E	8	M12 x 45 Bolts, 4 Nyloc Nuts & 4 S/P Washers
C	1	6216 Detachable Neck	F	2	M12 x 25 Bolts & S/P Washers
			G	2	M12 x 22 Bolts & S/P Washers
			H	16	12 x 25 Flat Washers

BUMPER REMOVAL:

1. Remove the boot interior trim, floor mat, luggage rails, moulded accessory tray and side panels.
2. Carefully remove four bumper fixings through the rear panel located inside the boot.
3. Unclip the wheel arch trim, remove two fixings either side securing the wheel arch liner and peel back to reveal three more fixings both sides and remove.
4. Remove one fixing either side of the boot opening and five fixings along the lower edge.
5. Starting at the bumper tips release the bumper from the vehicle body then pull rewards to remove. Unclip any necessary wiring.
6. Remove the rear impact beam and refit the bolts to prevent water ingress. (Impact beam is not refitted with Towbar assembly).

TOWBAR INSTALLATION:

1. Insert Items **B** into each correct chassis member and fix in place at the forward mounting point only with Item **E** and Item **H**.
2. Insert Item **A** into the open ends of each chassis member and fix through the rearmost mounting point and Items **B** with Items **E** and items **H**. Using the remaining Items **E** with Items **H** fix Items **B** to Item **A**.
3. Using Items **F** with Items **H** and Items **G** with Items **H** fix Item **C** and Item **D** to Item **A**.
4. Fully tighten all fixings ensuring the Towbar is rigid, square and secure.
5. Refit the rear bumper. (Fit wiring loom before bumper installation)



Note:

1. Recommended Torque Setting for M12 Grade 10.9 -130 Nm. (For other Torque Settings see notes overleaf.)
2. Nose load limits and vehicle manufacturers trailer / caravan weight limits must be observed.