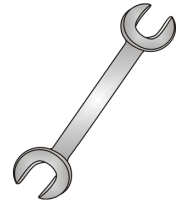




Tow-Trust Towbars

Important: Please read General Notes overleaf before fitting



Issue 3

TAD2VK AUDI Q5 2008> PORSCHE MACAN 2014>

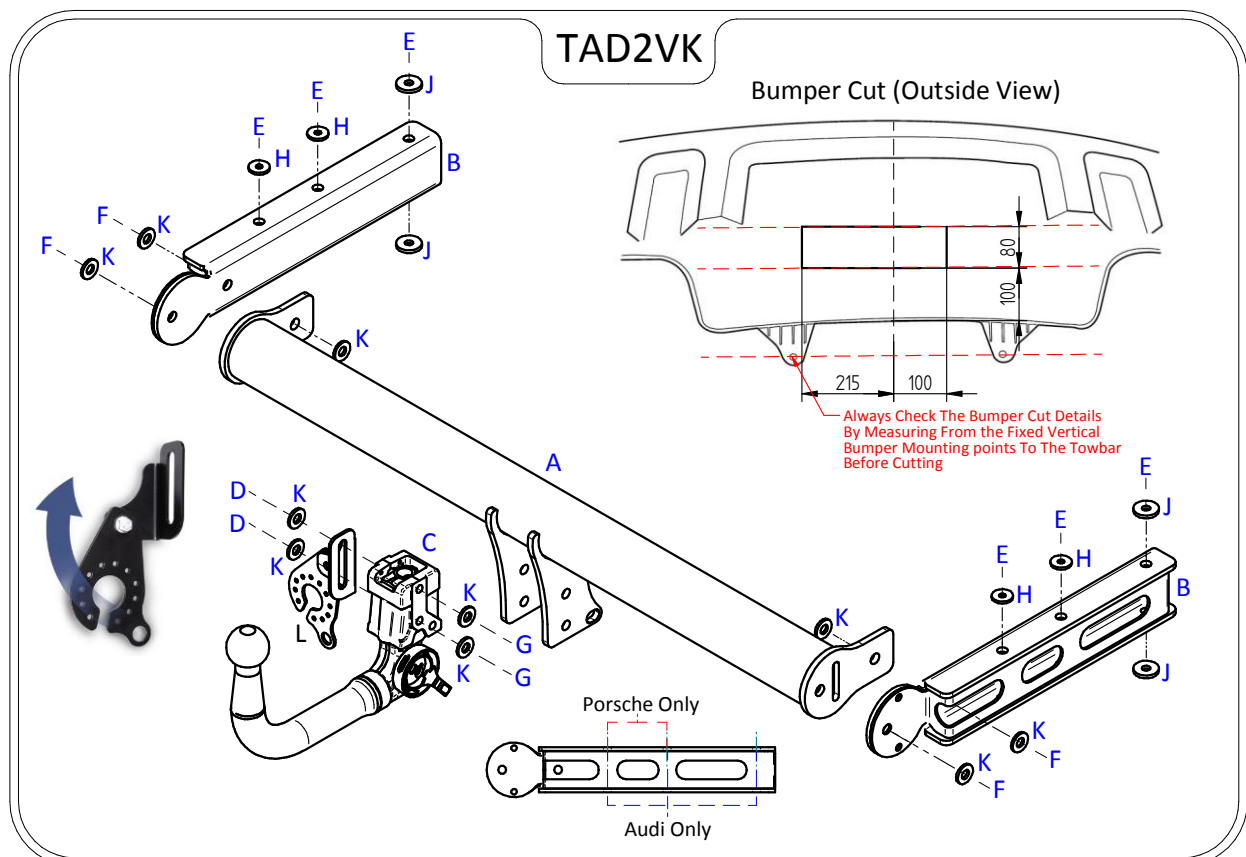
Item	Qty	Description	Item	Qty	Description
A	1	Crossmember	D	2	M12 x 25 Bolts & S/P Washers
B	2	Side Arms	E	6	M10 x 100 Bolts, 2 Nuts & 6 S/P Washers
C	1	Detachable Housing	F	4	M12 x 40 Bolts, 2 Nuts & 4 S/P Washers
			G	2	M12 x 22 Bolts & S/P Washers
			H	4	10 x 25 Flat Washers
			J	4	10 x 30 Flat Washers
			K	10	12 x 25 Flat Washers
			L	1	Flip Up Socket Plate (TTFP/LH)

BUMPER REMOVAL:

1. Remove the boot floor cover, luggage rails, side storage trays and rear kick plate. Some models require foam insert from the N/S and the Fuse board from the O/S to be removed to gain access to the outer bumper mounts.
2. Remove the rear bumper, four fixings along the rear panel (from inside the vehicle), four fixings along the lower edge of bumper and four fixings around each wheel arch.
3. Remove the rear impact beam. (This is not refitted with the Towbar assembly).

TOWBAR INSTALLATION:

1. Locate the three Towbar mounting points on the top face of each chassis member (Forward most covered with tape).
2. Insert Items **B** into each chassis member and fix in place using Items **E** and Items **H** and Items **E** and Items **J**.
3. Using Items **F** and Items **K** fix Item **A** between each side arm (Items **B**).
4. Using Item **D** with Item **K** and Item **G** with Item **K** fix Item **C** and Item **L** to Item **A**.
5. Fully tighten all nuts and bolts ensuring Towbar is rigid, square and secure.
6. Cut the bumper and refit along with all boot interior.



Note:

1. Recommended Torque Setting for M12 Grade 10.9 -139 Nm. (For other Torque Settings see notes overleaf.)
2. Nose load limits and vehicle manufacturers trailer / caravan weight limits must be observed.