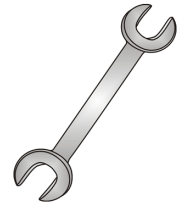




Tow-Trust Towbars

Important: Please read General Notes overleaf before fitting

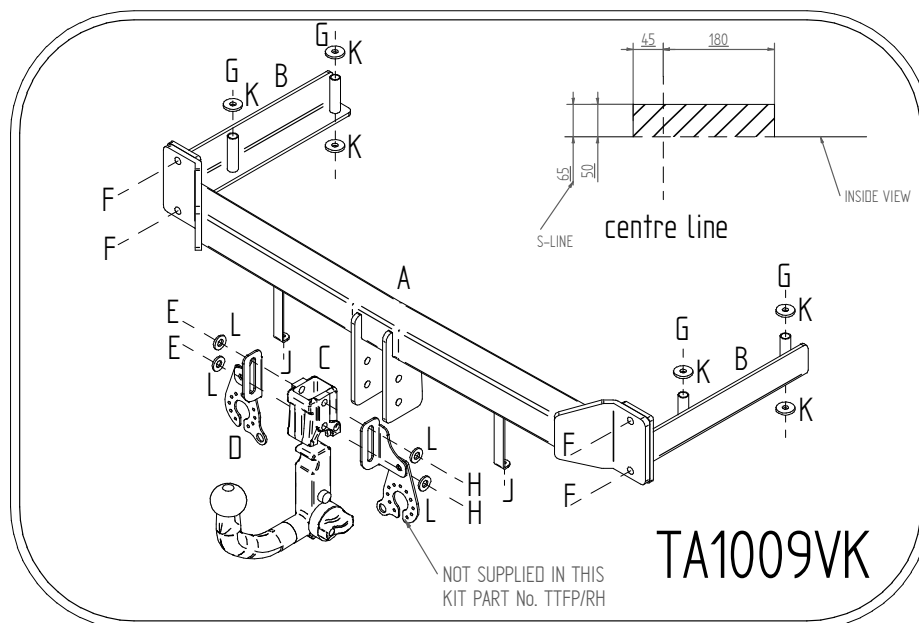


Issue 4

TA1009VK Audi A4 Sal & Avant Est 2005-2008 Seat Exeo Est 2009> Skoda Superb Sal 2002 - 2008 VW Passat 1997-2005

Item	Qty	Description	Item	Qty	Description
A	1	Crossmember	E	2	M12 x 25 Bolts & S/P Washers
B	2	Handed Side Arms	F	4	M12 x 40 Bolts, Nuts & S/P Washers
C	1	Detachable housing	G	4	M10 x 100 Bolts, 2 Nuts & 4 S/P Washers
D	1	Flip up Socket Plate	H	2	M12 x 22 Bolts & S/P washers
			J	2	Small Plastic Pop Rivets
			K	6	10 x 30 Flat Washers
			L	4	12 x 25 Flat Washers

1. Remove rear trim and side panels from inside the boot.
2. Remove mud flaps if fitted.
3. Remove the rear bumper. Three nuts beneath lamp unit inside boot and two nuts adjacent to these, three torx head screws from carpet wheel arch liners, four torx head screws from lower edge, four torx head screws from bumper tips. Pull bumper tips outwards then rearward.
4. Cut a section from the lower edge of the bumper SEE SKETCH. (**AUDI ONLY**).
5. Remove the bumper beam. (This is not refitted with the towbar.)
6. Temporarily lower the rear exhaust hangers then temporarily remove the heat shield.
7. Locate item **B** into the open ends of each chassis, using item **G** with item **K** loosely bolt into place. (**NOTE:** When fitting to the PASSAT fit Items **B** opposite to drawing).
8. Using item **F** loosely bolt item **A** to item **B**.
9. Using item **H** with item **L** and item **E** with item **L** bolt item **C** and item **D** to item **A**.
10. Fully tighten all nuts and bolts and ensure the towbar is rigid and secure.
11. Re-fit the heat shield and exhaust.
12. Re-fit the rear bumper (use Item **J** on the two lower fixing points).
13. Refit rear trim and side panels inside the boot.



Note:

1. Recommended Torque Setting for M12 Grade 10.9 -139 Nm. (For other Torque Settings see notes overleaf.)
2. Nose load limits and vehicle manufacturers trailer / caravan weight limits must be observed.