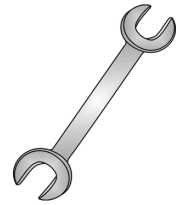




Tow-Trust Towbars

Important: Please read General Notes overleaf before fitting

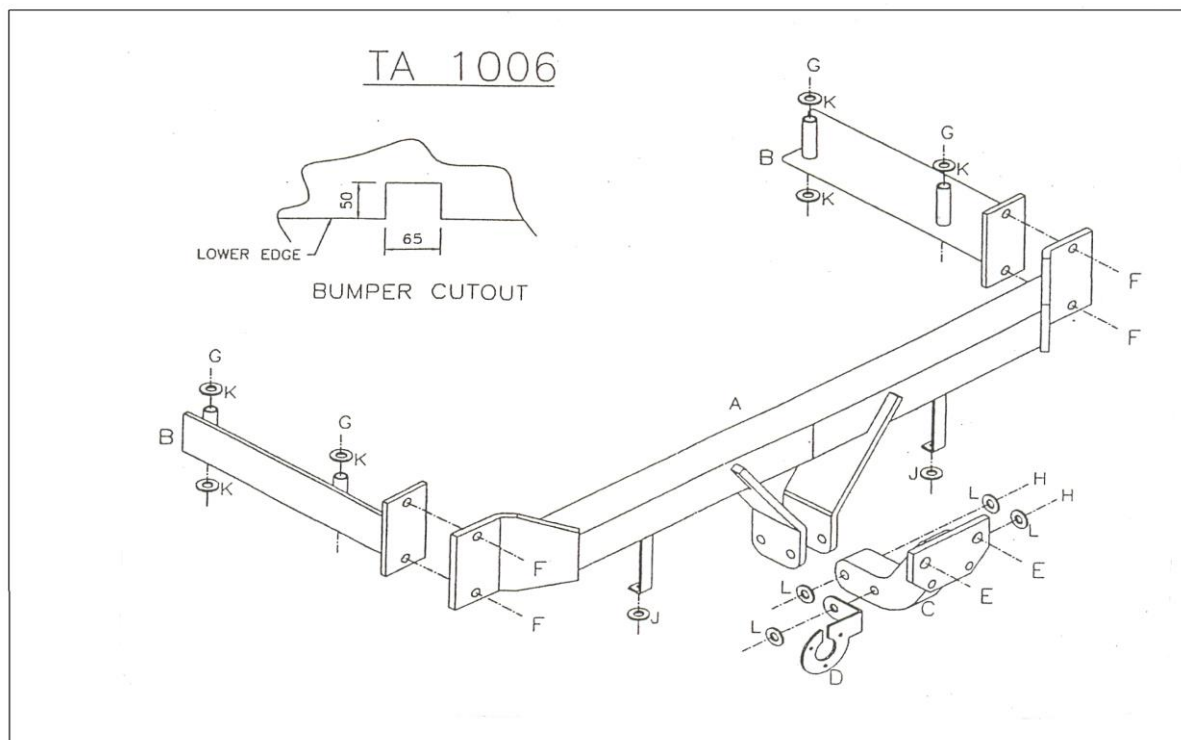


Issue 5

TA1006 Audi A4 Saloon & Avant Estate 2001 - 2005

Item	Qty	Description	Item	Qty	Description
A	1	Crossmember	E	2	M16 x 50 Bolts, Nuts & S/P Washers
B	2	Handed Side Arms	F	4	M12 x 40 Bolts, Nuts & S/P Washers
C	1	Extension Bar	G	4	M10 x 100 Bolts 2 Nuts 4 S/P Washers
D	1	Socket Plate 1	H	2	M12 x 85 Grade 10.9 Bolts & Nyloc Nuts
			J	2	Small Plastic Pop Rivets
			K	6	10 x 30 Flat Washers
			L	4	12 x 25 Flat Washers

1. Remove the rear trim panels from inside the boot.
2. Remove the rear bumper, inside the boot six nuts each side, torx head screws securing the wheel arch liners, two torx head screws behind the wheel arch liners and five torx head screws along the lower edge of the bumper. Pull the bumper out at each tip and pull the bumper rearwards. Cut Bumper (see sketch).
3. Remove the bumper beam.
4. Temporarily lower the rear exhaust hangers then temporarily remove the heat shield.
5. Locate and remove the tape above and below the chassis covering the forward mounting points.
6. Locate item B into the open ends of each chassis, using item G with item K loosely bolt into place.
7. Using item F loosely bolt item A to item B.
8. Fully tighten all nuts and bolts and ensure the towbar is rigid and secure.
9. Re-fit the heat shield and exhaust.
10. Re-fit the bumper. (Use item J on the two lower fixing points).
11. Using item H bolt item C and item D to item A.
12. Using item E bolt the ball bracket and wiring plate (not supplied in this kit) to the mounting plate.



Note:

1. Recommended Torque Setting for M12 Grade 10.9 -139 Nm. (For other Torque Settings see notes overleaf.)
2. Nose load limits and vehicle manufacturers trailer / caravan weight limits must be observed.