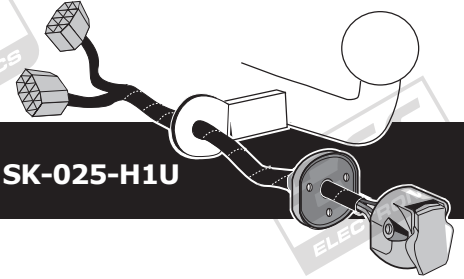


Skoda Rapid 06/2015-

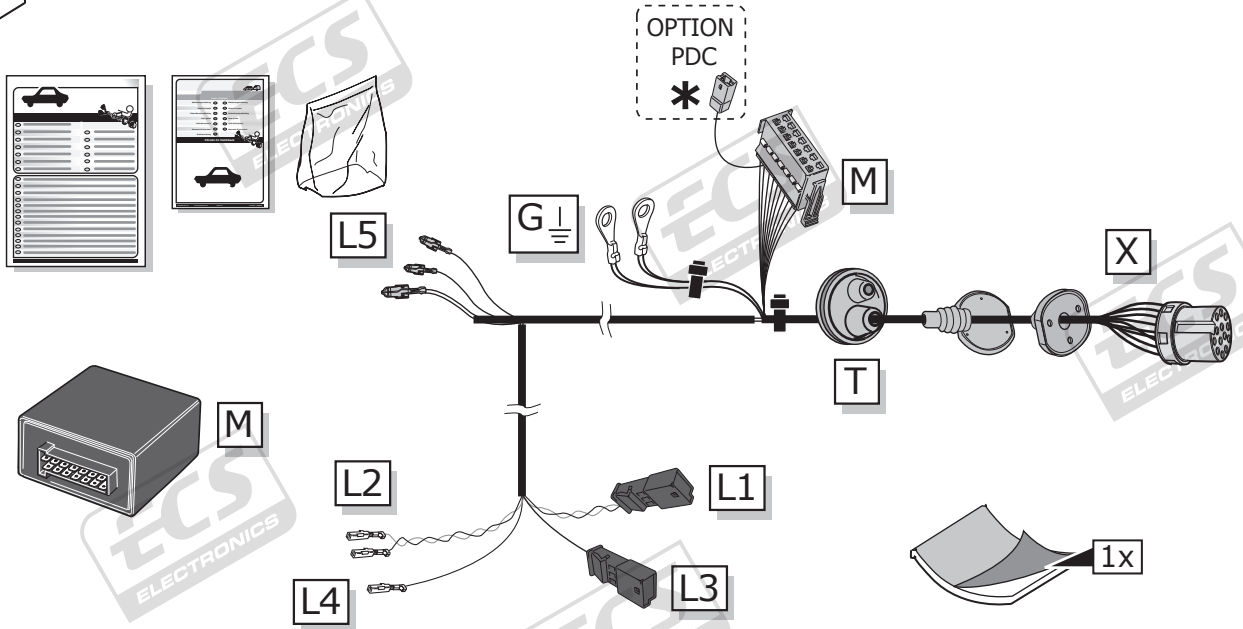
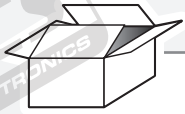
Partnr.: SK-025-H1U



- Fitting instructions electric wiring kit tow bar with 13-P socket up to DIN/ISO Norm 11446.
- We would expressly point out that assembly not carried out properly by a competent installer will result in cancellation of any right to damage compensation, in particular those arising by virtue of the product liability act.
- Contents of these kits and their fitting manuals are subject to alteration without notice, please ensure that these instructions are read and fully understood before commencing installation.
- Do not overload circuits; the maximum loads per connection are detailed in this manual.
- Attention! Before Installation, please read this manual carefully and inform your customer to consult the vehicle owners manual to check for any vehicle modifications required before towing.
- In the event of functional problems, troubleshooting must be limited to about 0.5 hours, contact the technical support:
t.skinner@ecs-electronics.com / 07440 202 052.



Part list



L2

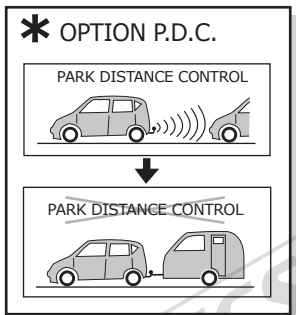
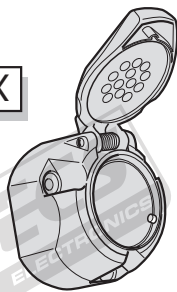
L1

L4

L3

1x

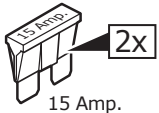
X



30x



3x

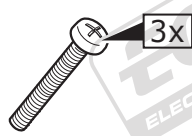


2x

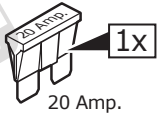
15 Amp.



2x

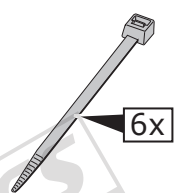


3x



1x

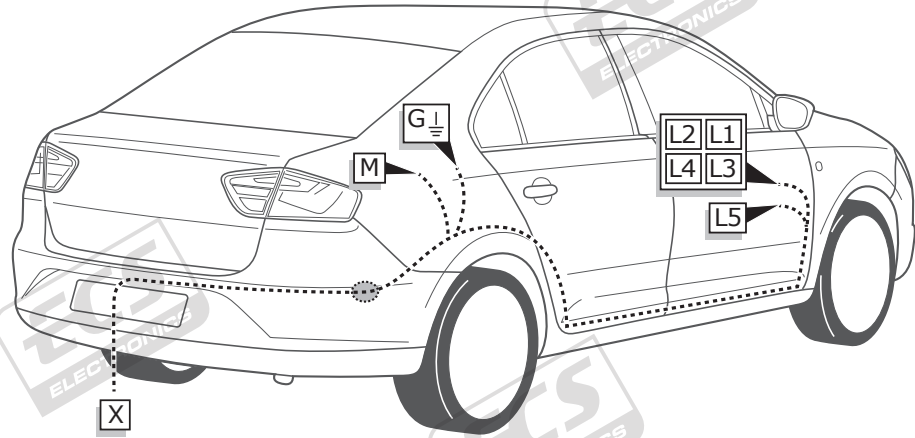
20 Amp.



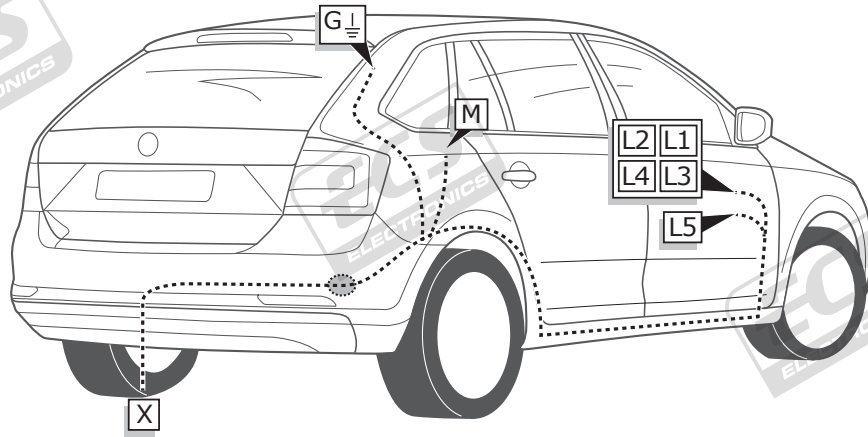
6x

ROUTING

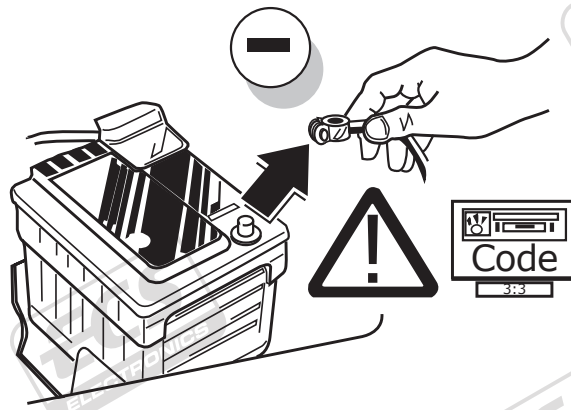
Skoda Rapid HB



Skoda Rapid Spaceback

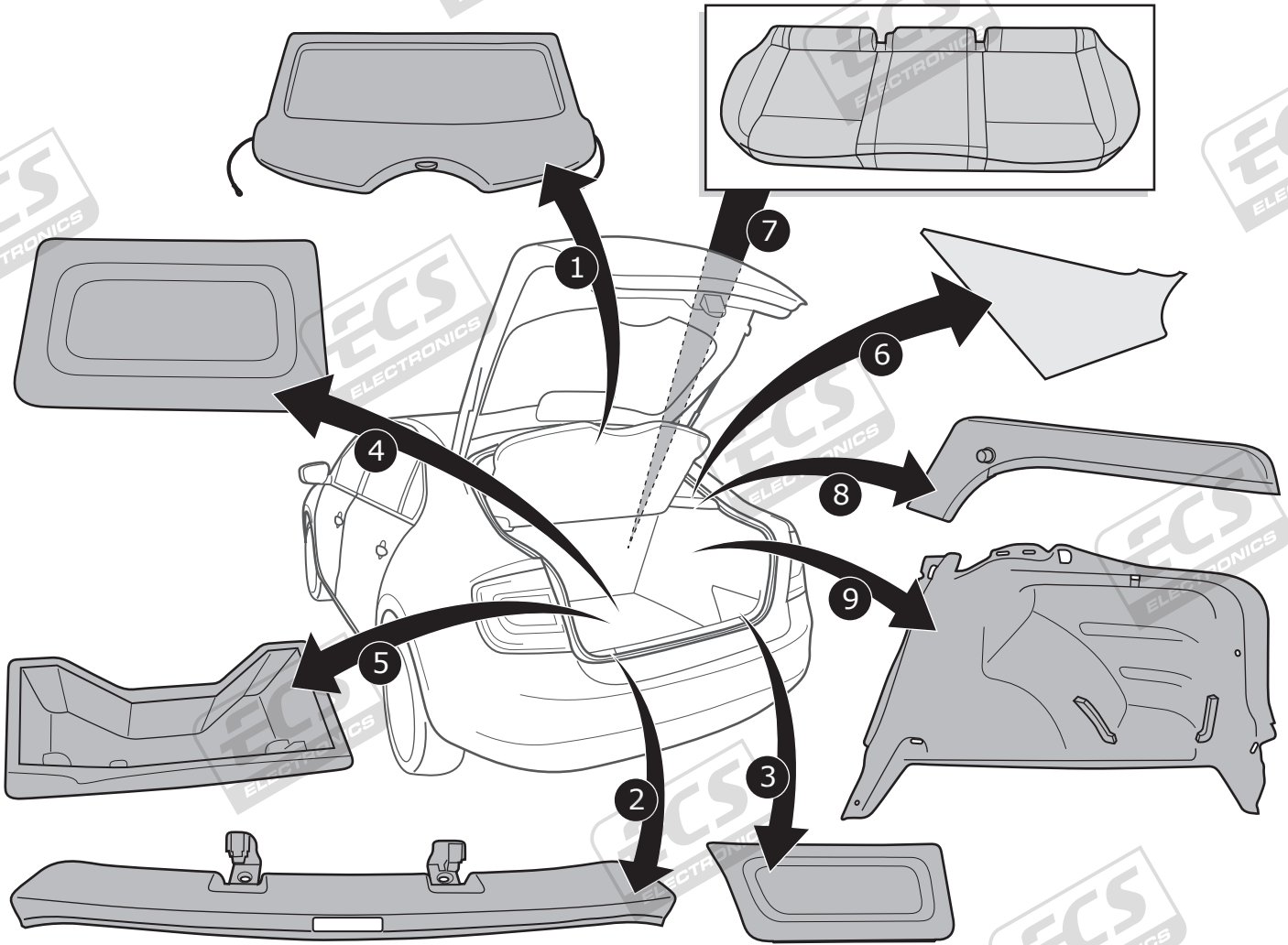


1



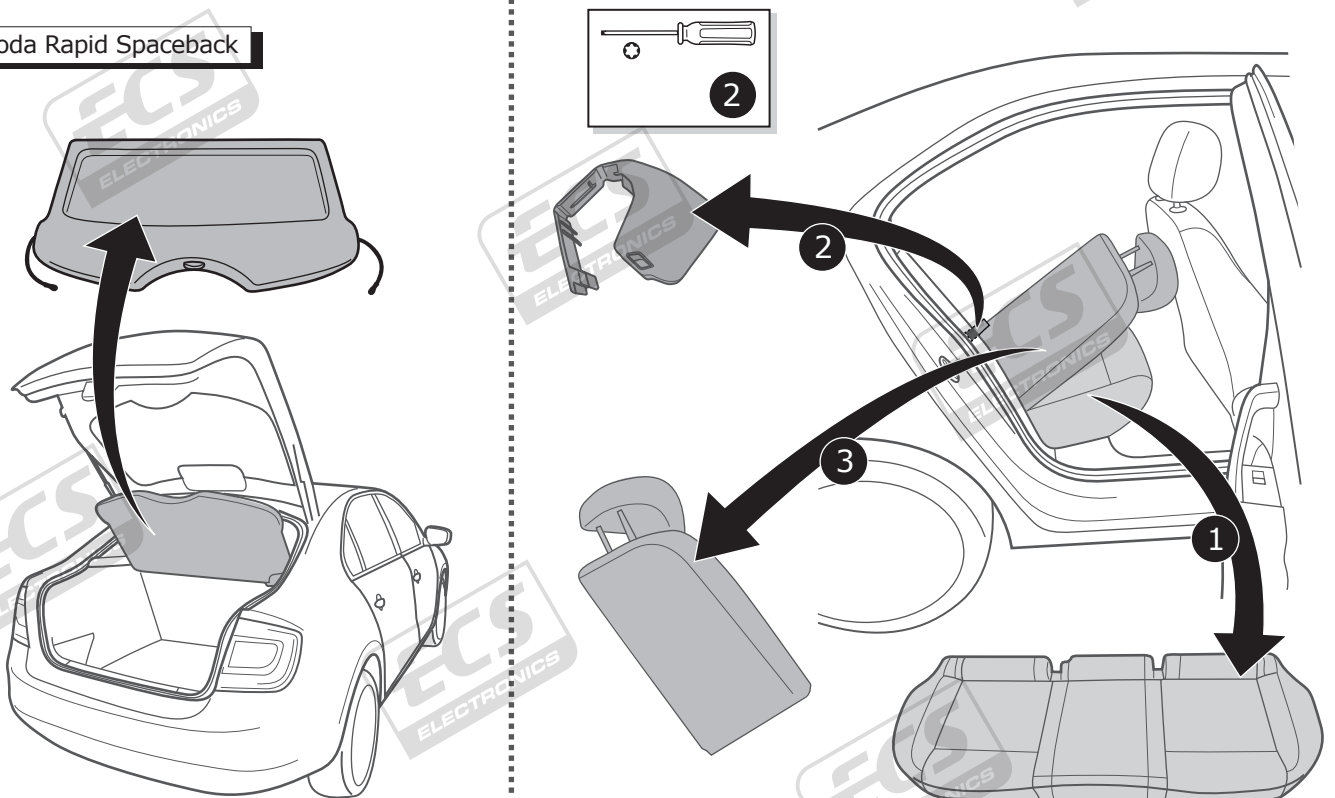
2

Skoda Rapid HB



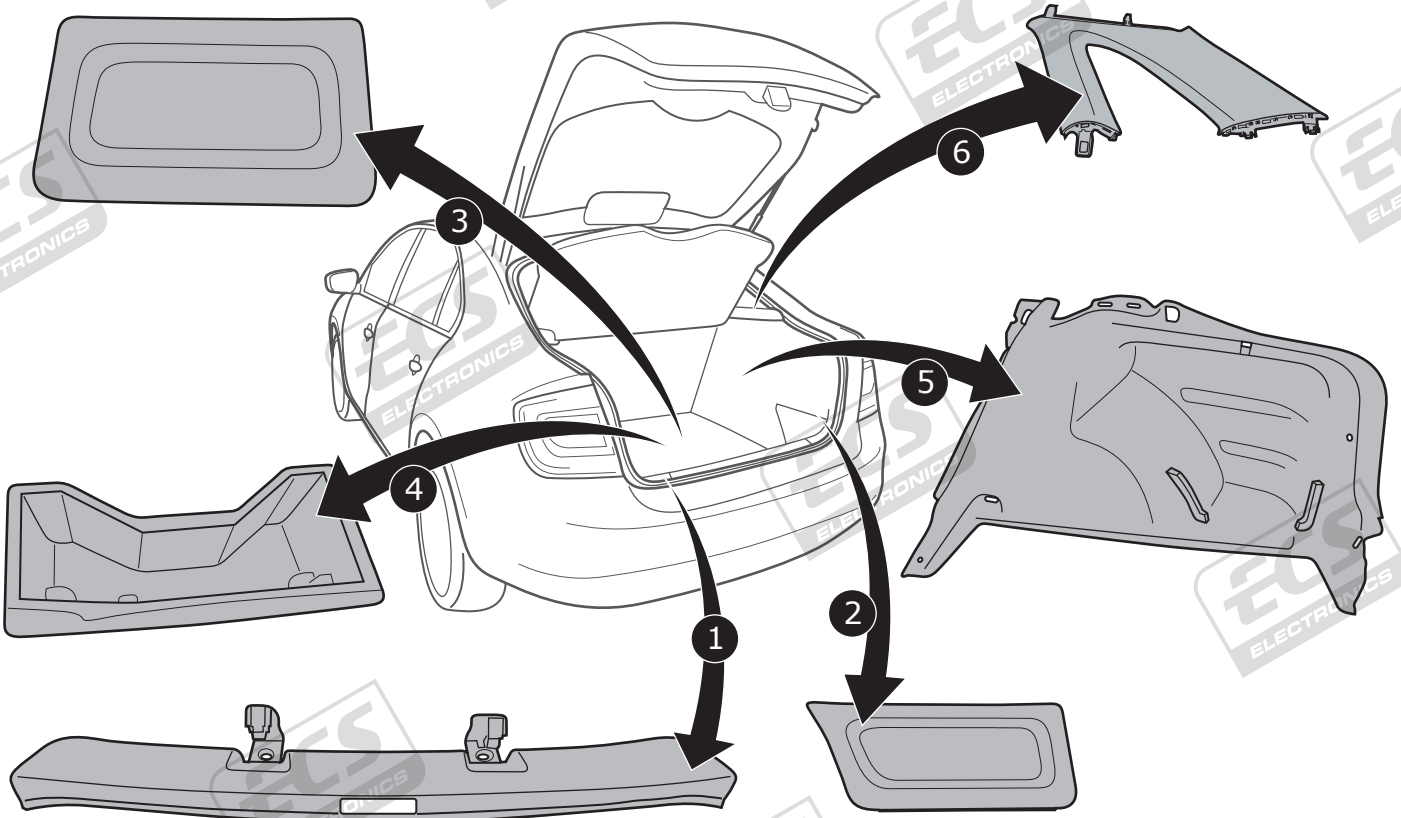
3

Skoda Rapid Spaceback



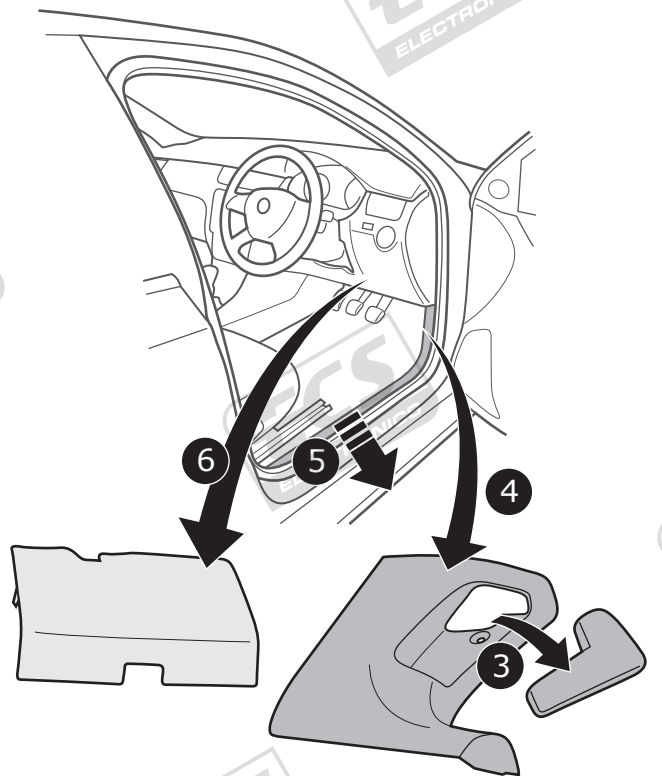
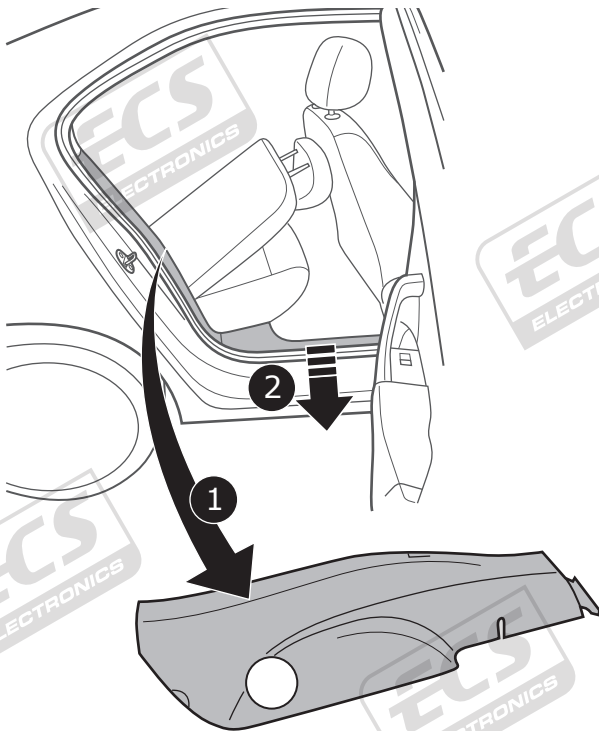
4

Skoda Rapid Spaceback

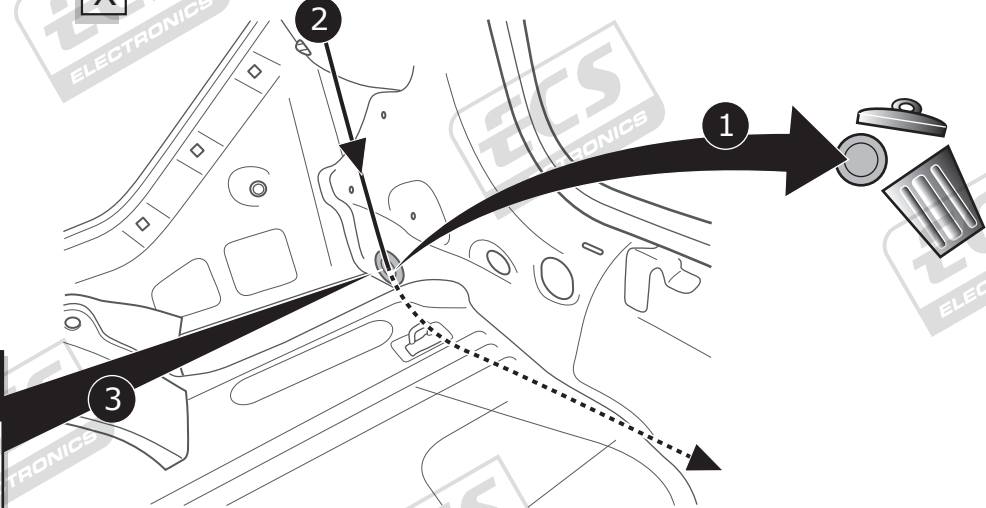
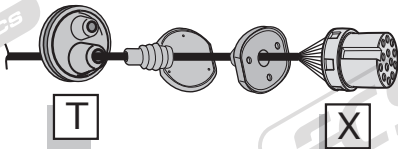
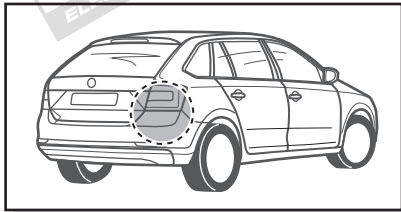
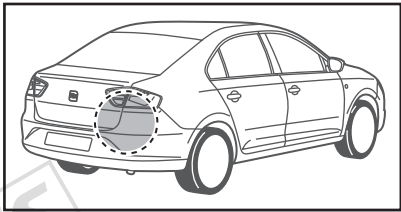


5

All models

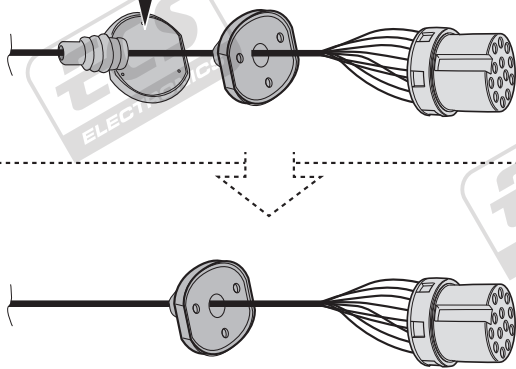
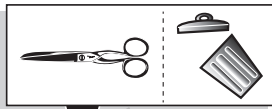


6

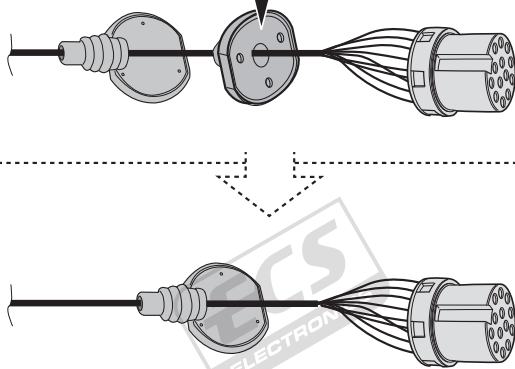
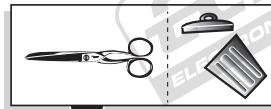


A

Option 1



Option 2



INFO

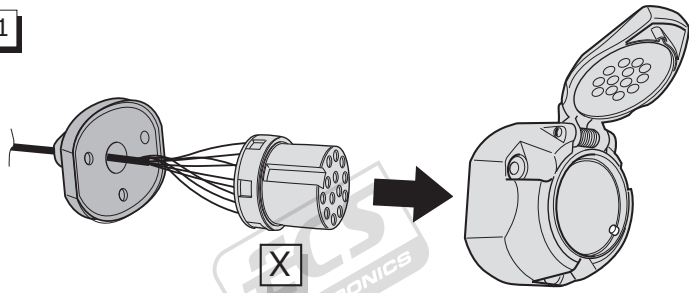
SOCKET CONNECTION

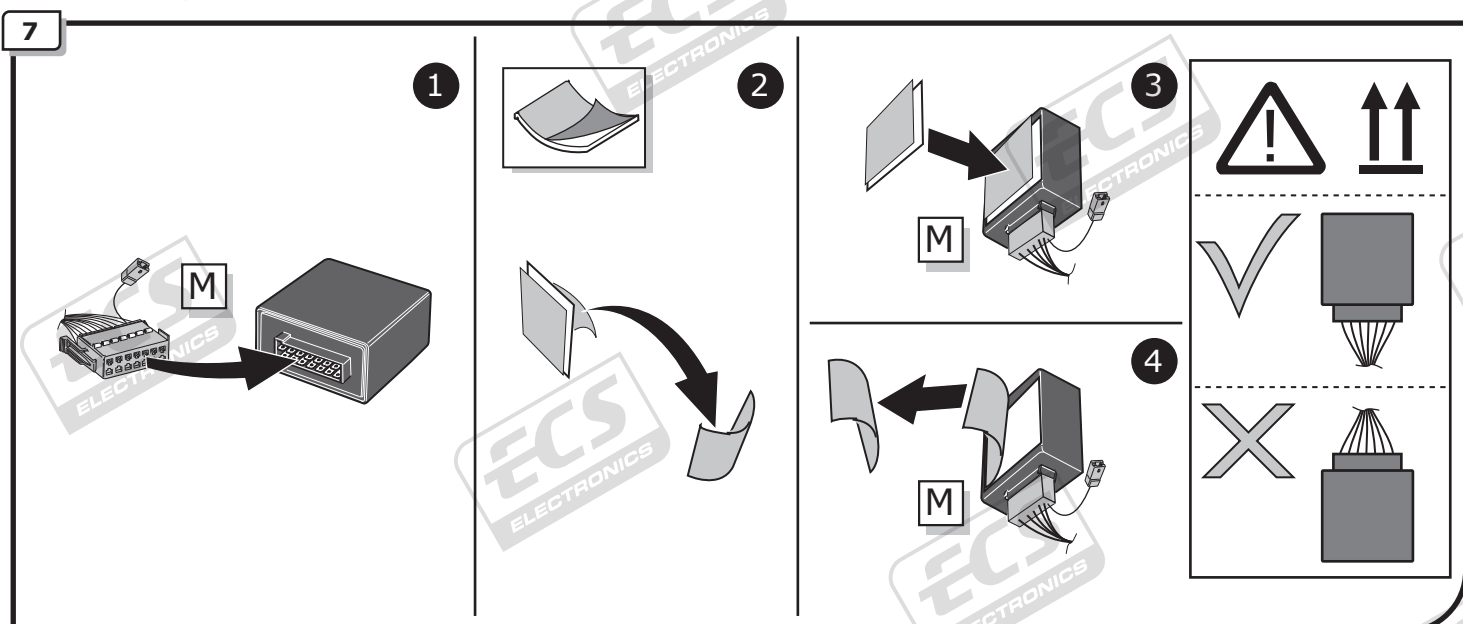
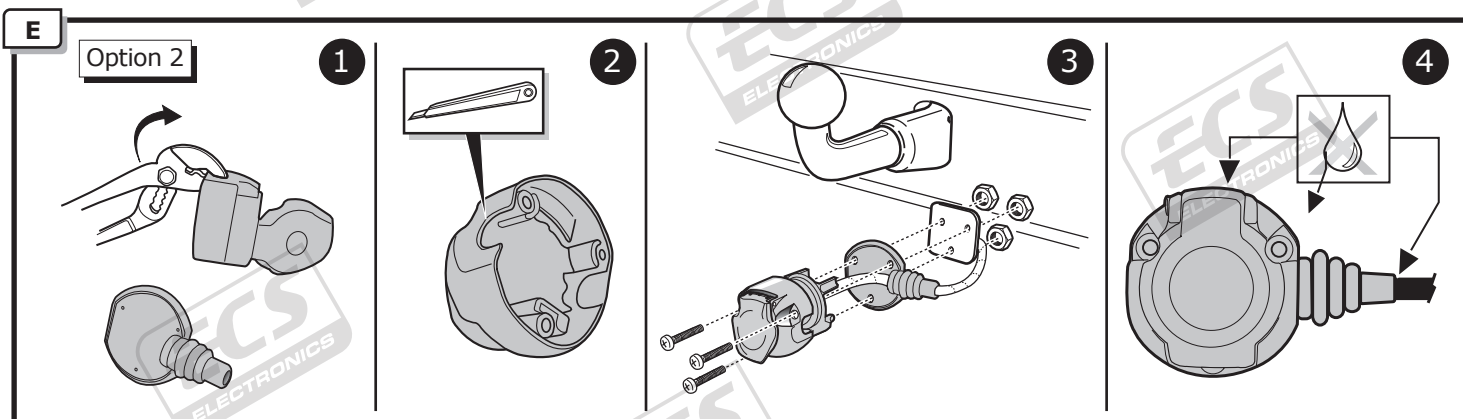
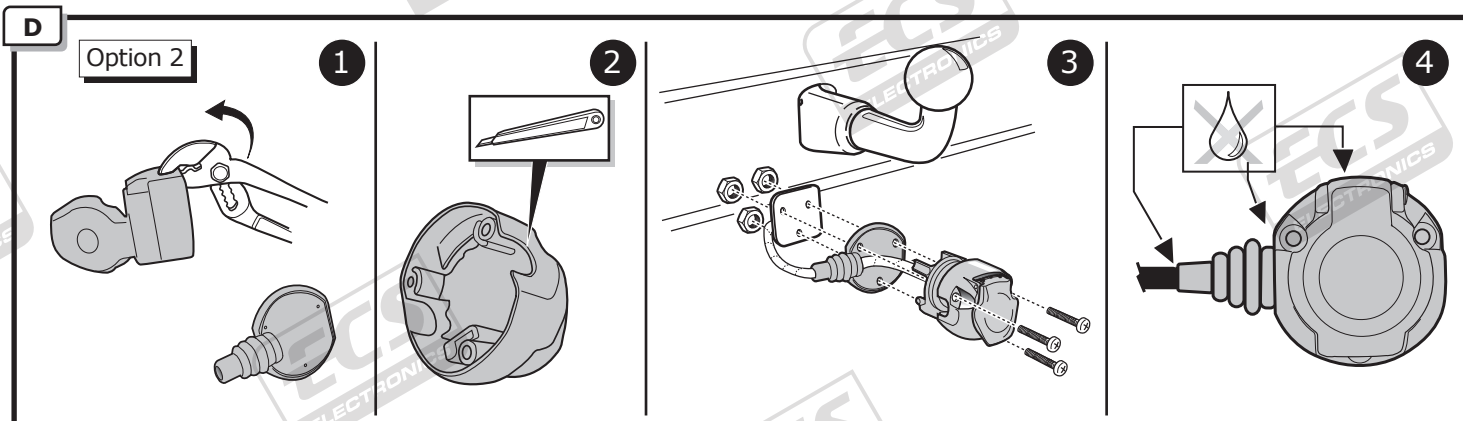
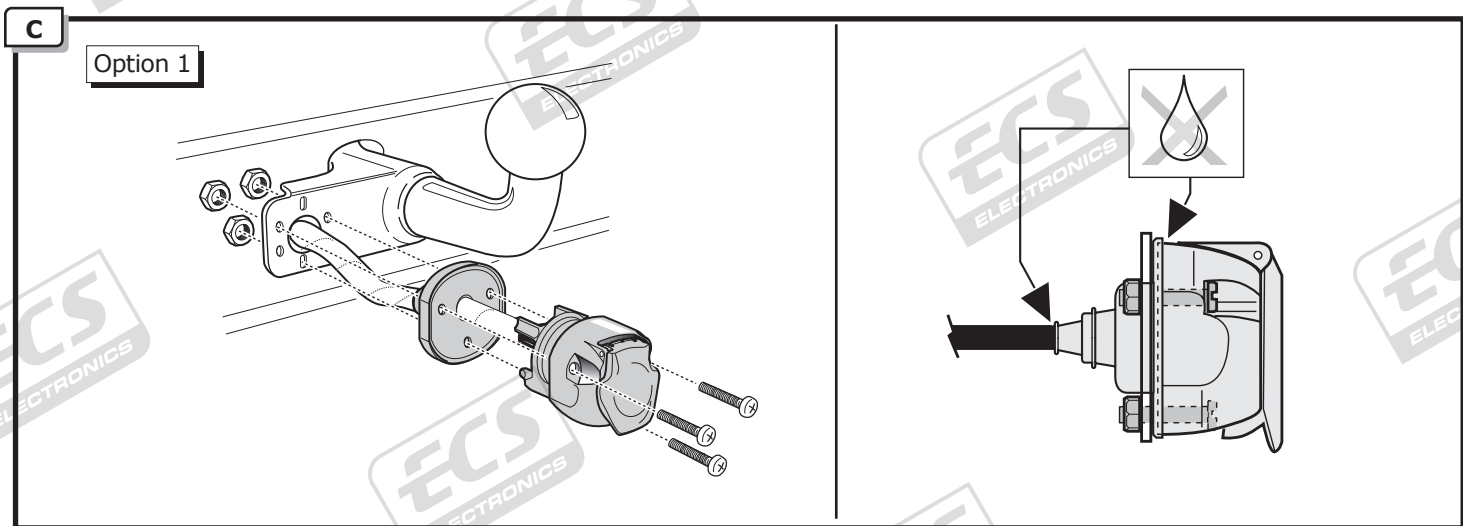


Pag. 15

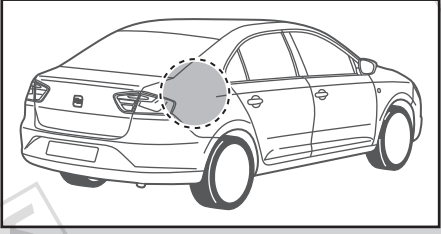
B

Option 1

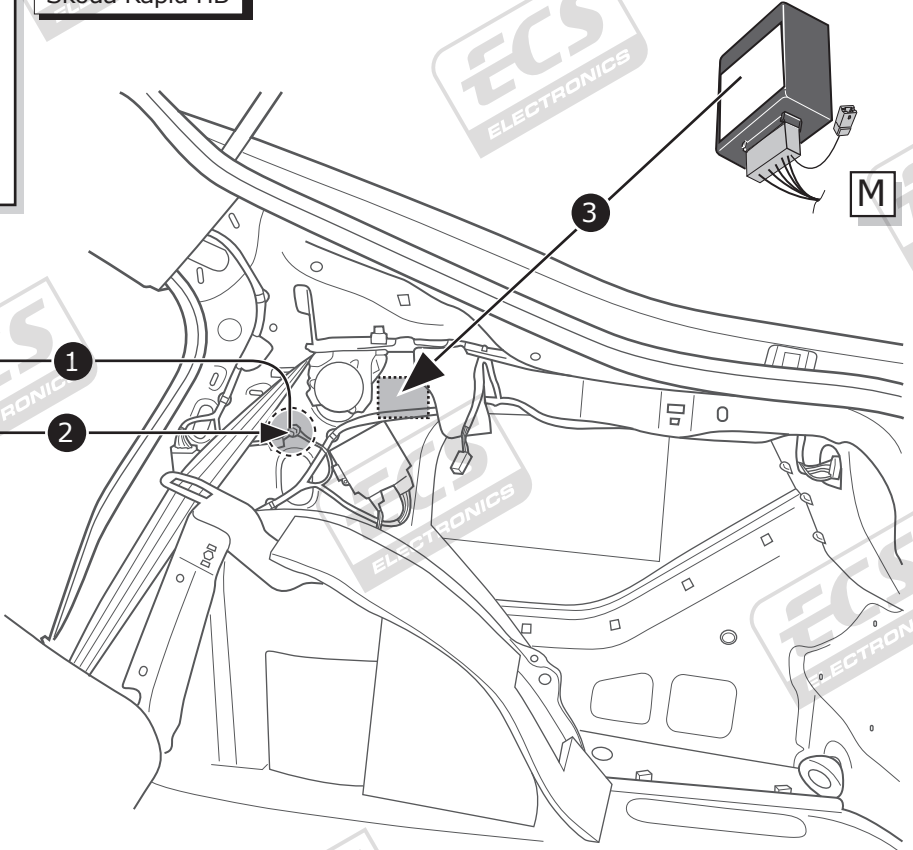
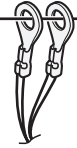
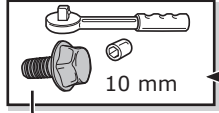




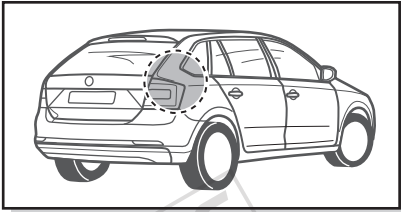
8



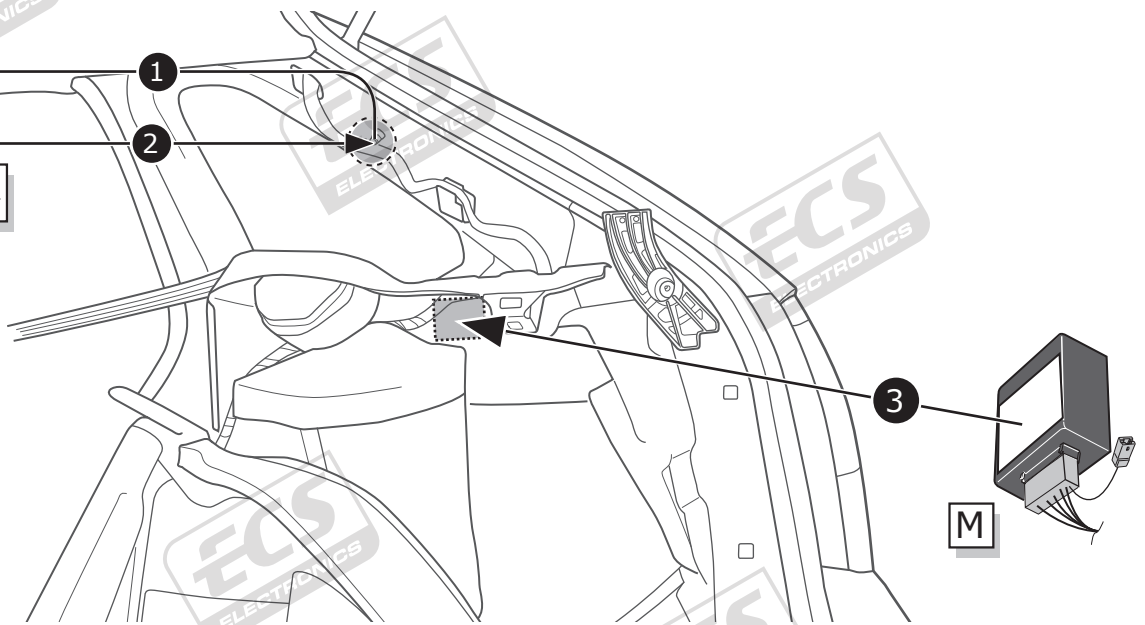
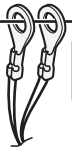
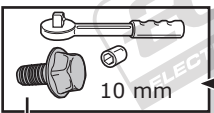
Skoda Rapid HB



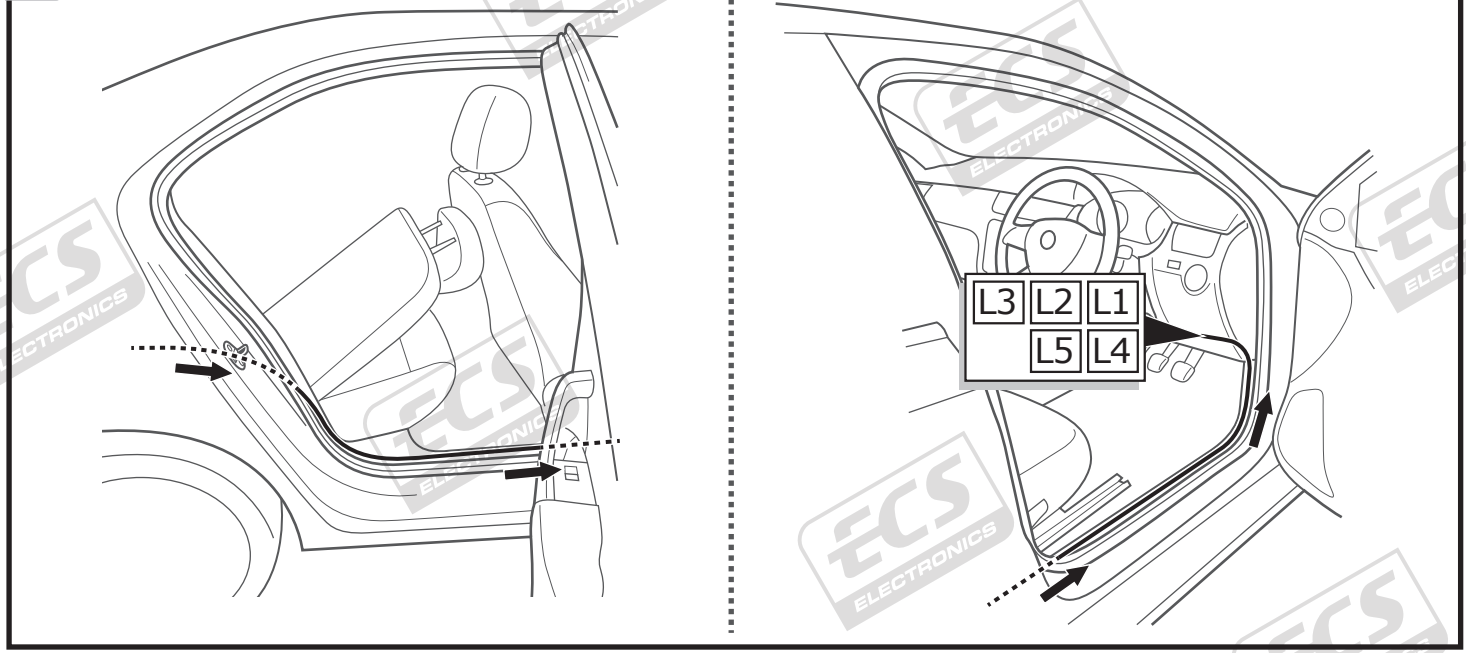
9



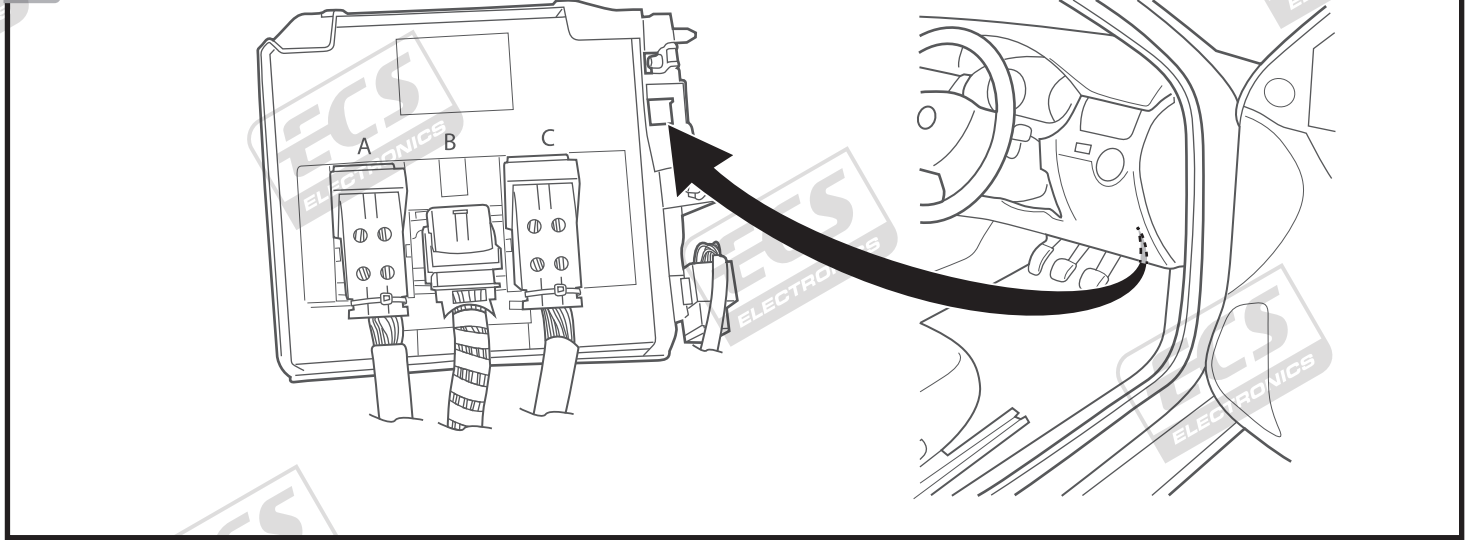
Skoda Rapid Spaceback



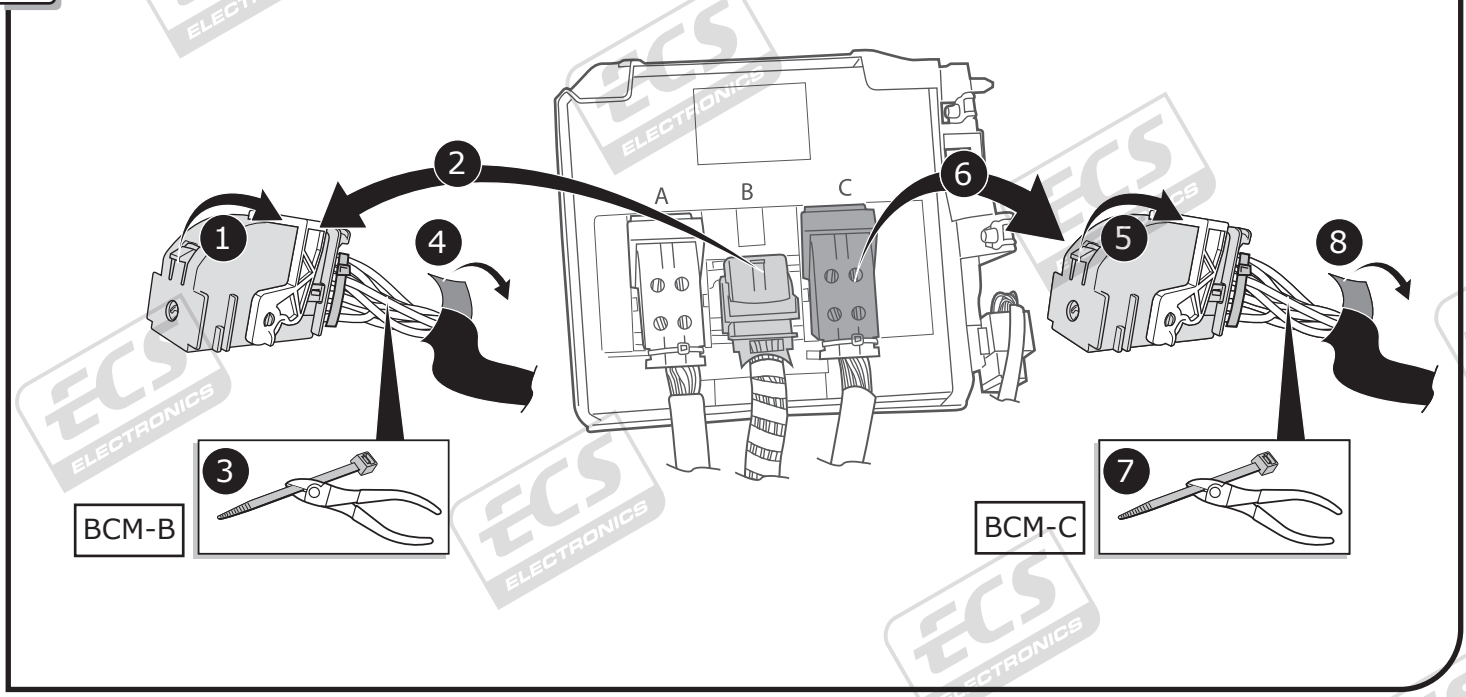
10



11

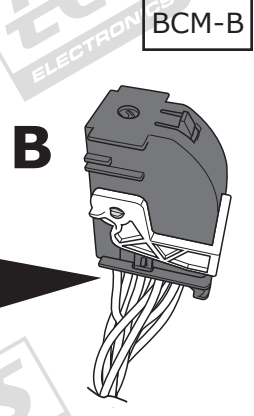
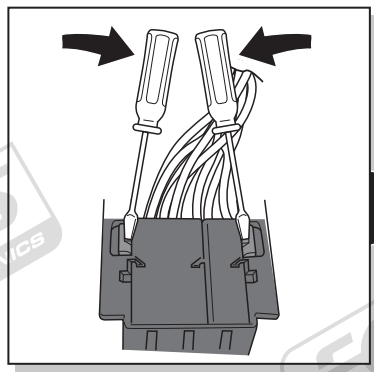


12

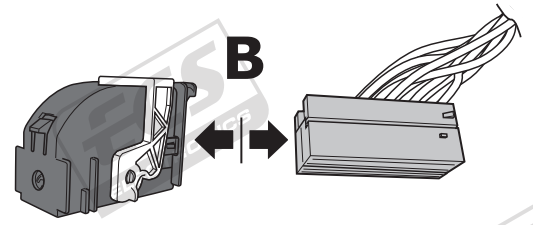


13

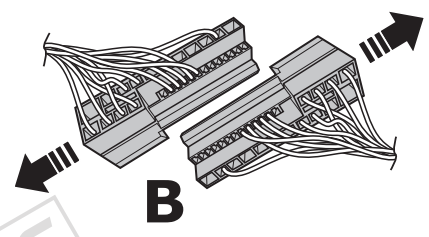
1



2

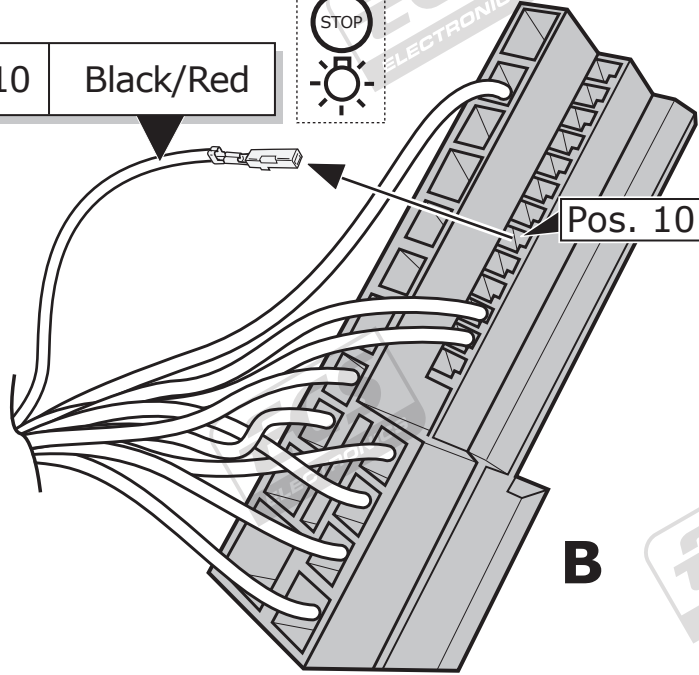


3



14

Pos. 10 Black/Red



15

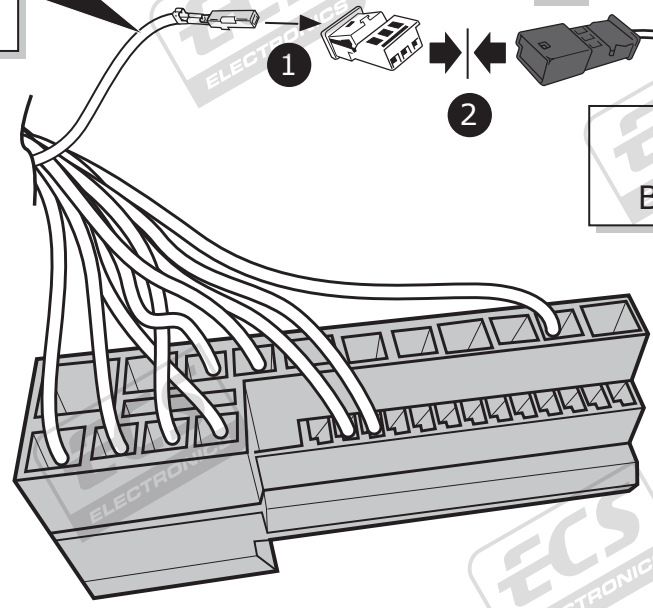
Pos. 3 Black/Red

L3

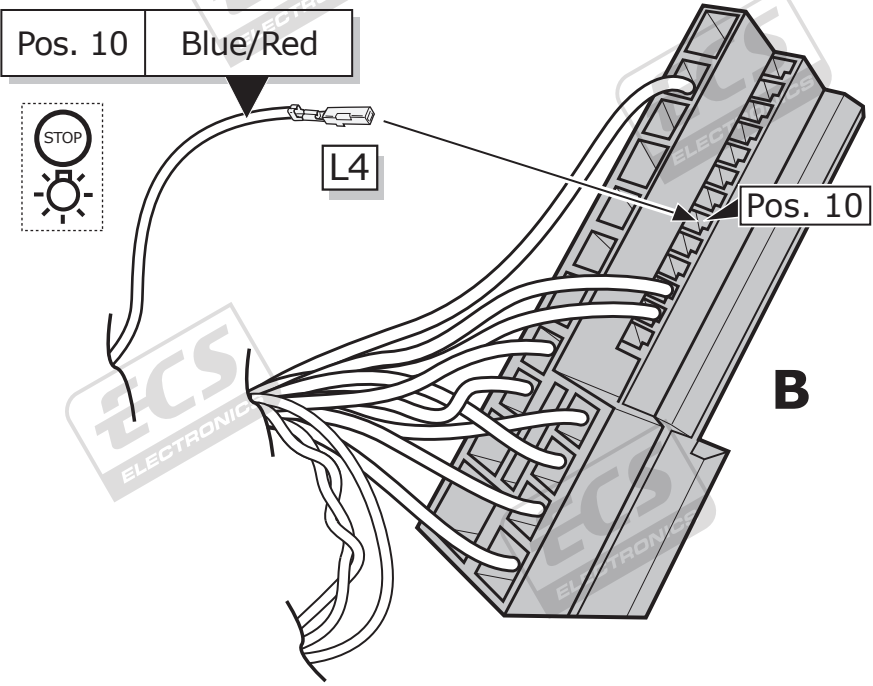
1

2

Pos. 3 Blue/Red

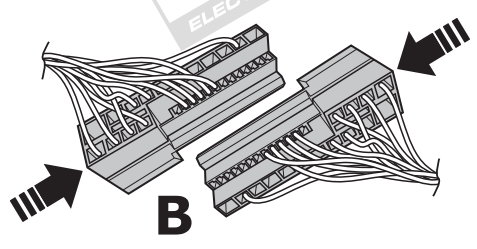


16

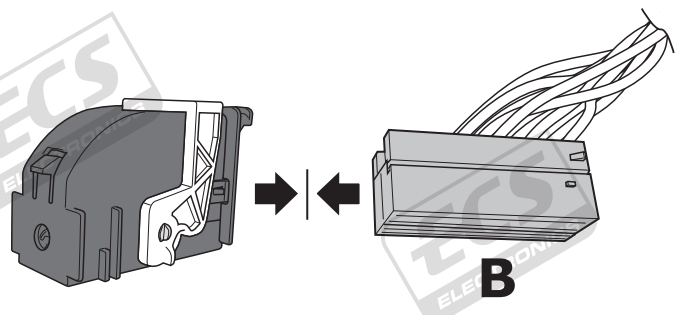


17

1

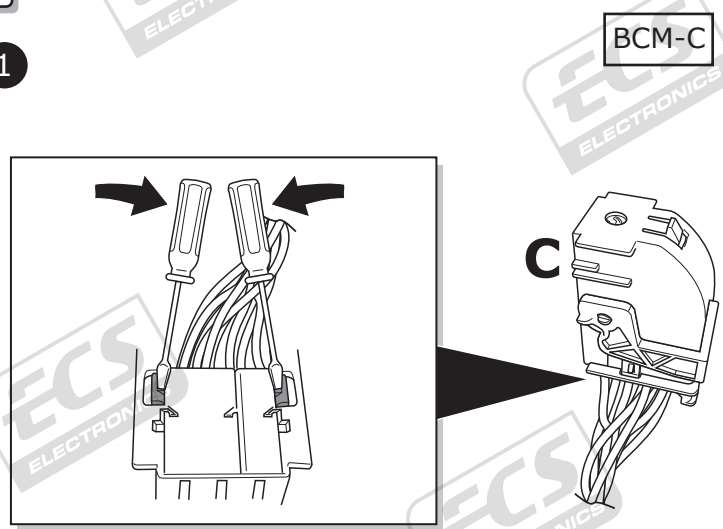


2

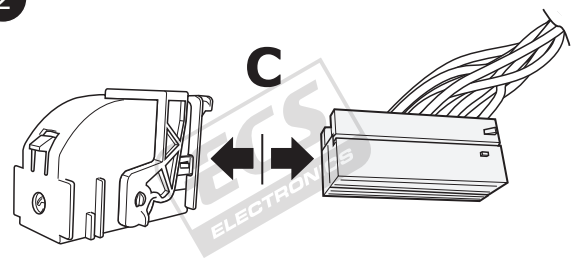


18

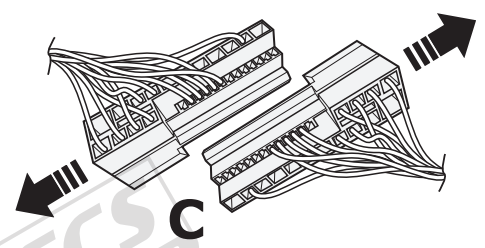
1



2



3



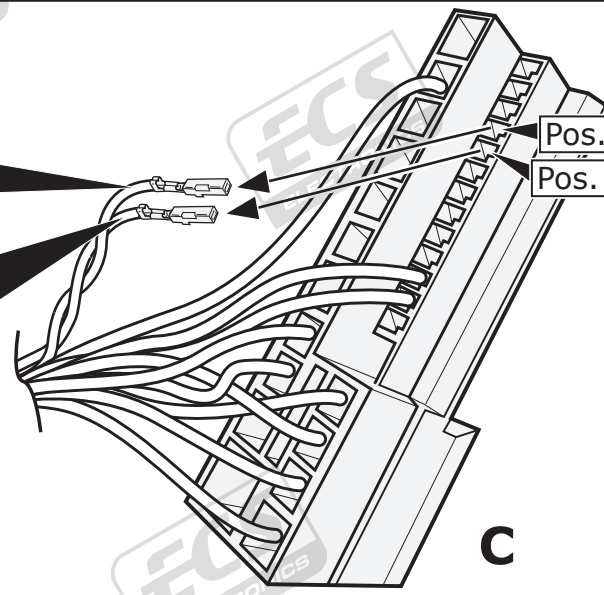
19

Pos. 47 Orange/Brown

Can-bus
Datawire

Pos. 46 Orange/Green

Pos. 47
Pos. 46



20

Pos. 1 Orange/Brown

Pos. 2 Orange/Green

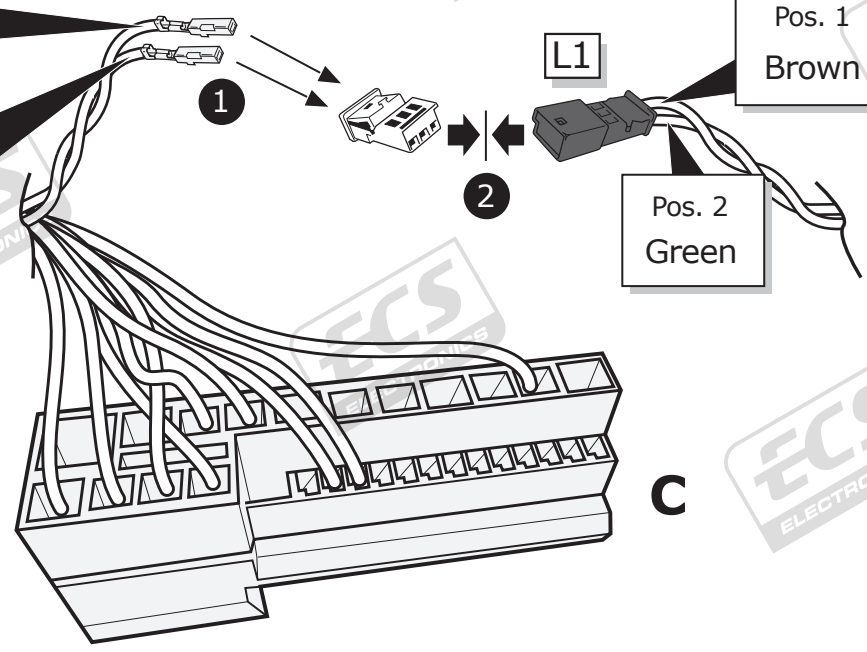
L1

Pos. 1 Brown

Pos. 2 Green

1

2



21

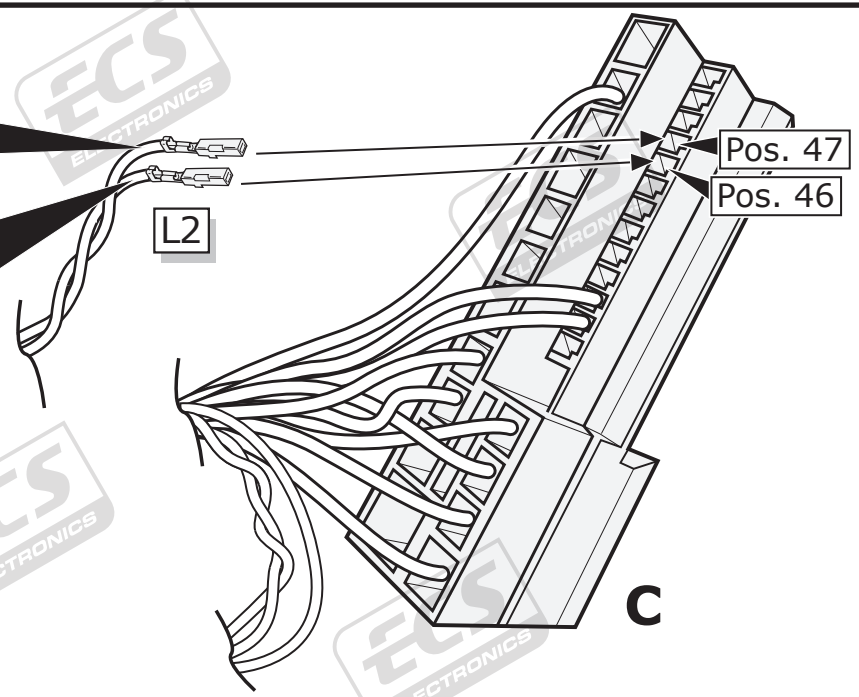
Pos. 47 Brown

Can-bus
Datawire

Pos. 46 Green

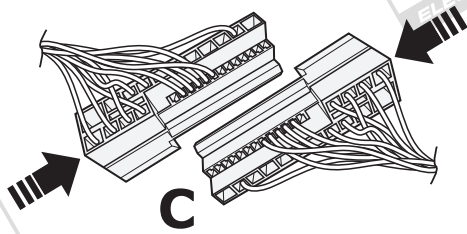
L2

Pos. 47
Pos. 46

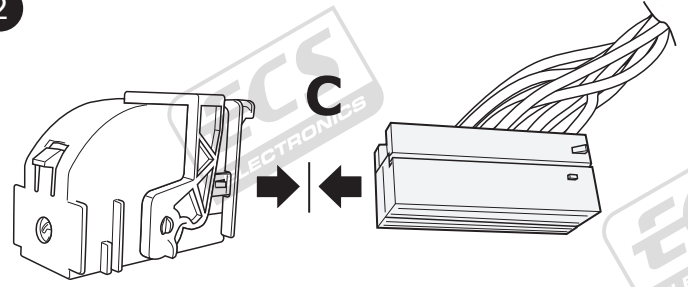


22

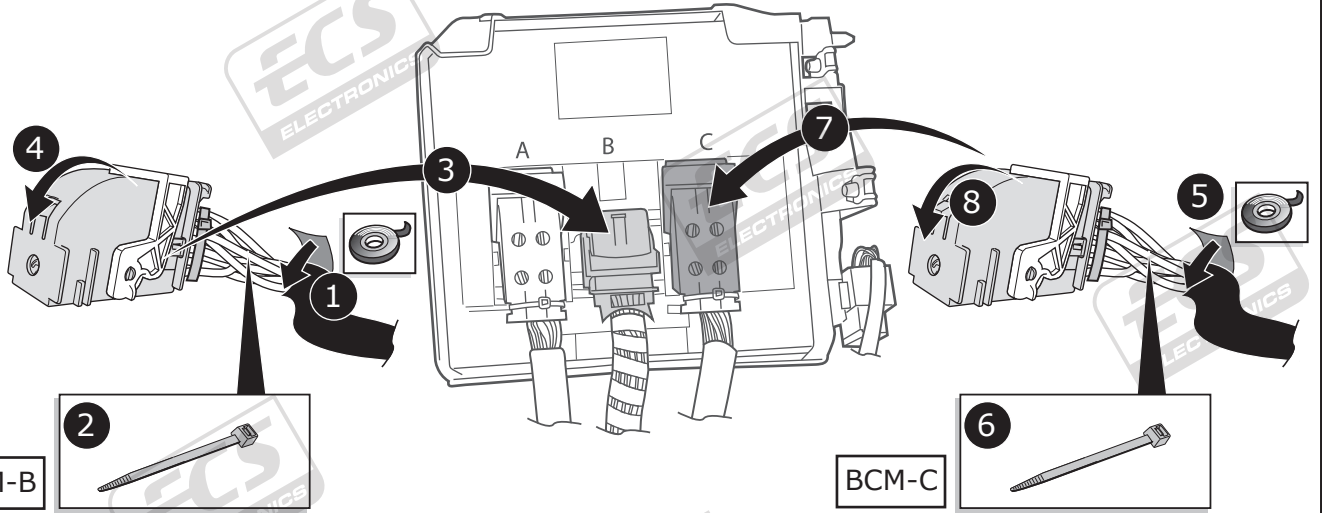
1



2



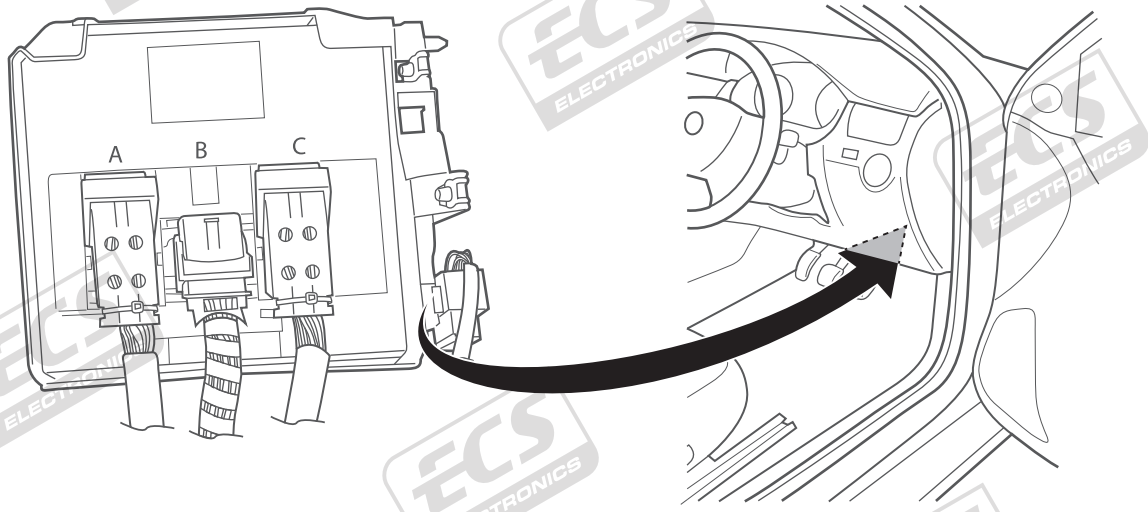
23



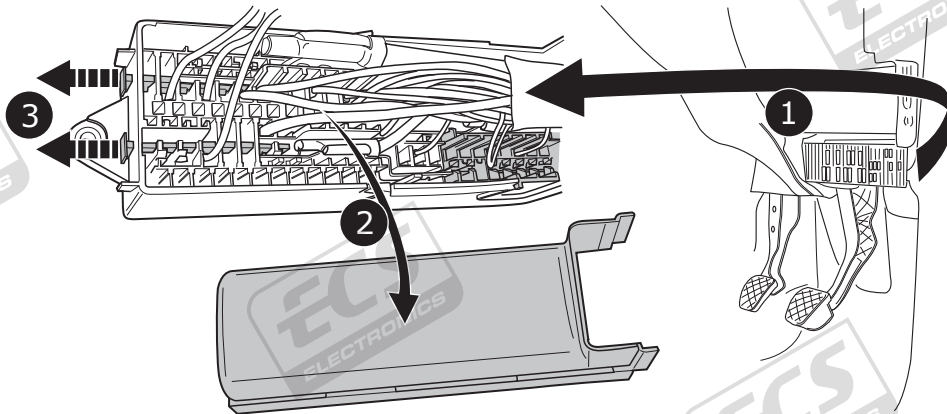
BCM-B

BCM-C

24

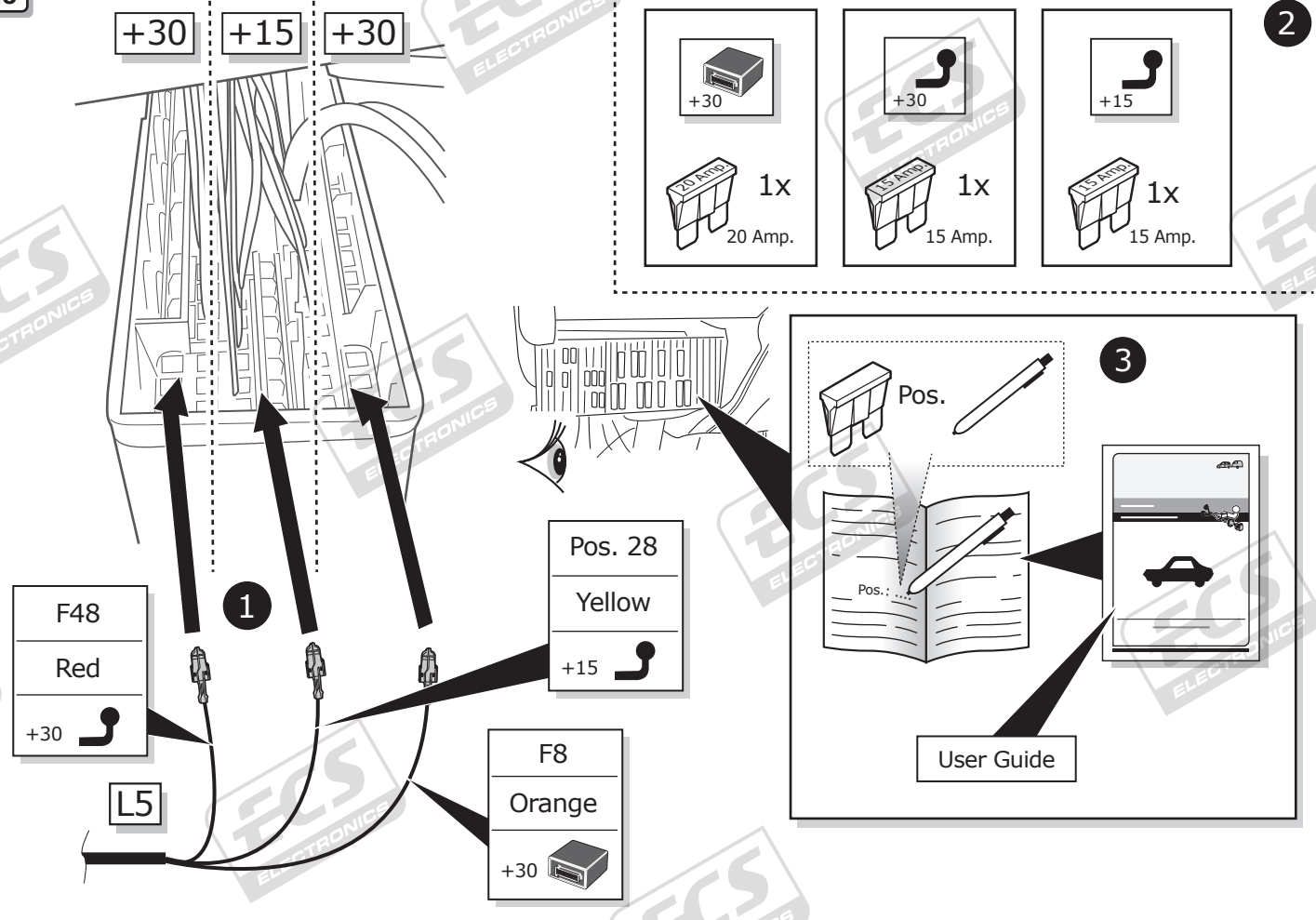


25

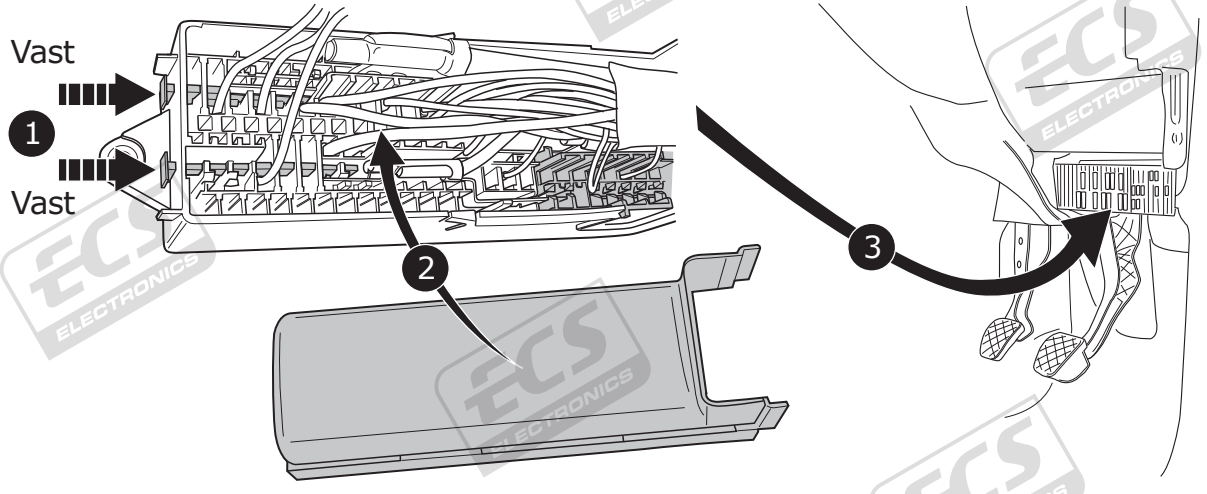


26

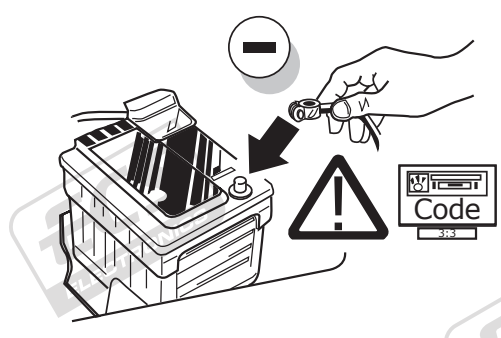
2



27



28



29

Online Coding procedure ONLY FOR V.A.G ODIS Tester

After installing the wiring kit please check the light functions of the Trailer/ Bike Carrier/ Caravan. They Will work without coding.

Please use SVM code: 325AA

Follow the ODIS coding instructions and close configuration.

30

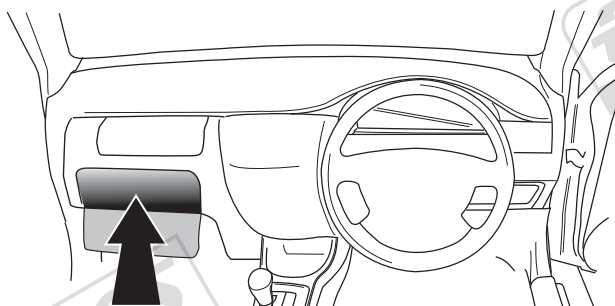


TEST ALL THE CIRCUITS WITH A TEST DEVICE WITH THE CORRECT POWER LOAD FOR EACH FUNCTION. A TEST DEVICE WITH LED'S CANNOT BE USED FOR THIS PURPOSE.

INFO

REINSTALL TRIM.

31



User guide



INFO

SOCKET CONNECTION

DIN/ISO 11446													
	1/L	2	3/31	4/R	5/58-R	6/54	7/58-L	8	9	10	11	12	13
Pmax	21W	21W		21W	42W	3x21W	42W	21W	180W/15Amp	180W/15Amp			
Colour	Black/White	Blue	Brown	Black/Green	Grey/Red	Black/Red	Grey/Black	Black	Red	Yellow	Brown	-	Brown