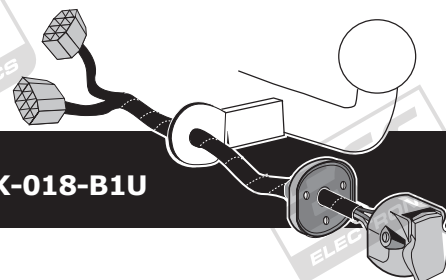


**Skoda Rapid HB
Skoda Rapid Spaceback
Seat Toledo HB 2013-**

Partnr.: SK-018-B1U



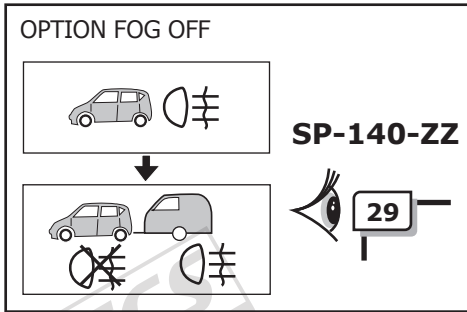
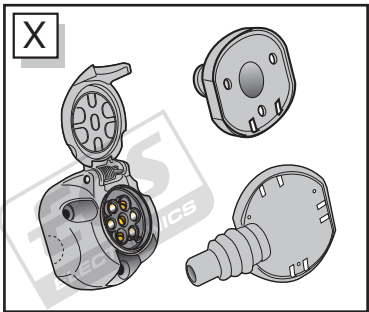
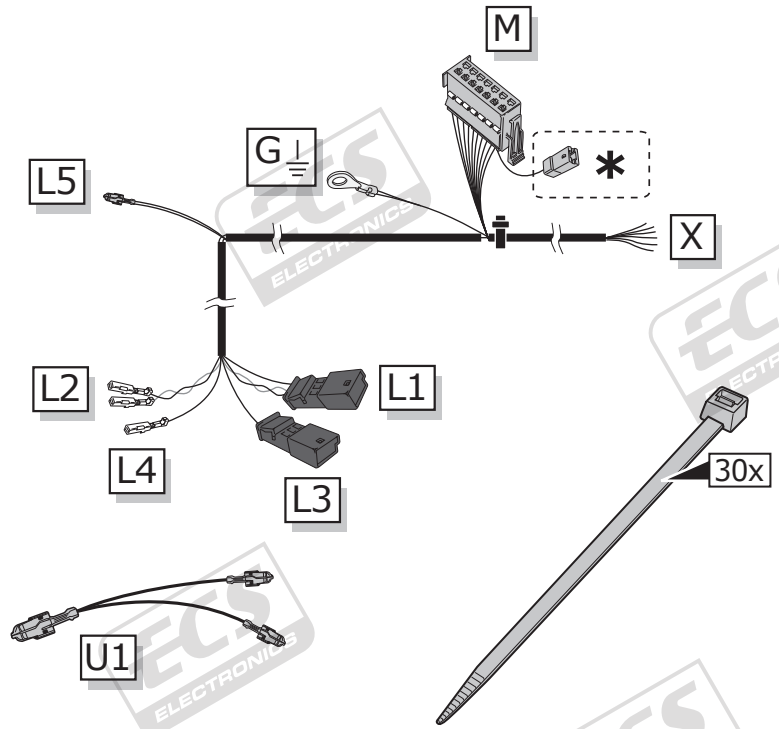
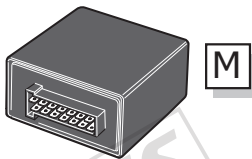
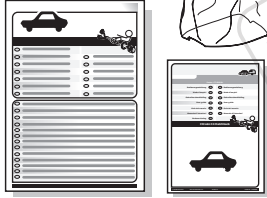
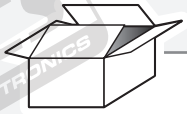
- Fitting instructions electric wiring kit tow bar with 12-N socket up to DIN/ISO Norm 1724.
- We would expressly point out that assembly not carried out properly by a competent installer will result in cancellation of any right to damage compensation, in particular those arising by virtue of the product liability act.
- Contents of these kits and their fitting manuals are subject to alteration without notice, please ensure that these instructions are read and fully understood before commencing installation.
- Do not overload circuits; the maximum loads per connection are detailed in this manual.
- Attention! Before Installation, please read this manual carefully and inform your customer to consult the vehicle owners manual to check for any vehicle modifications required before towing.
- In the event of functional problems, troubleshooting must be limited to about 0.5 hours, contact the technical support:
t.skinner@ecs-electronics.com / 07440 202 052.

TECHNICAL SUPPORT

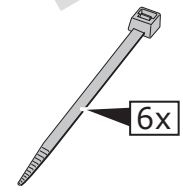
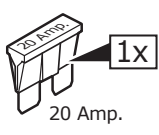
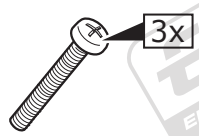
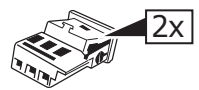
**CALL
07440
202
052**

ECS ELECTRONICS
MONDAY TO FRIDAY
08.00 - 11.00 am
12.00 - 05.00 pm
t.skinner@ecs-electronics.com
www.ecs-electronicsuk.co.uk

Part list

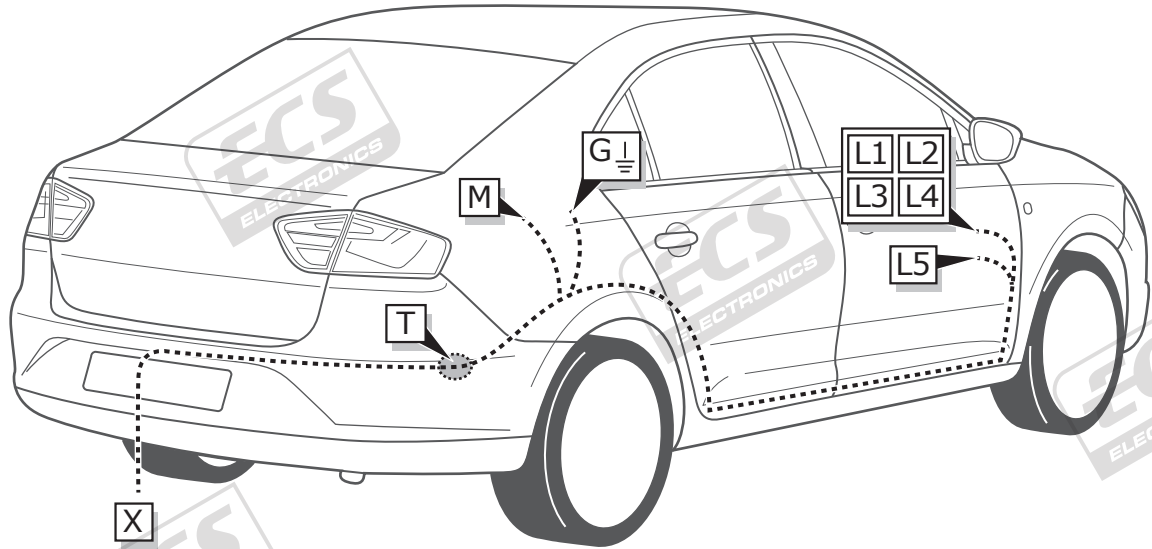


* Reverse signal preparation
Pag. 17



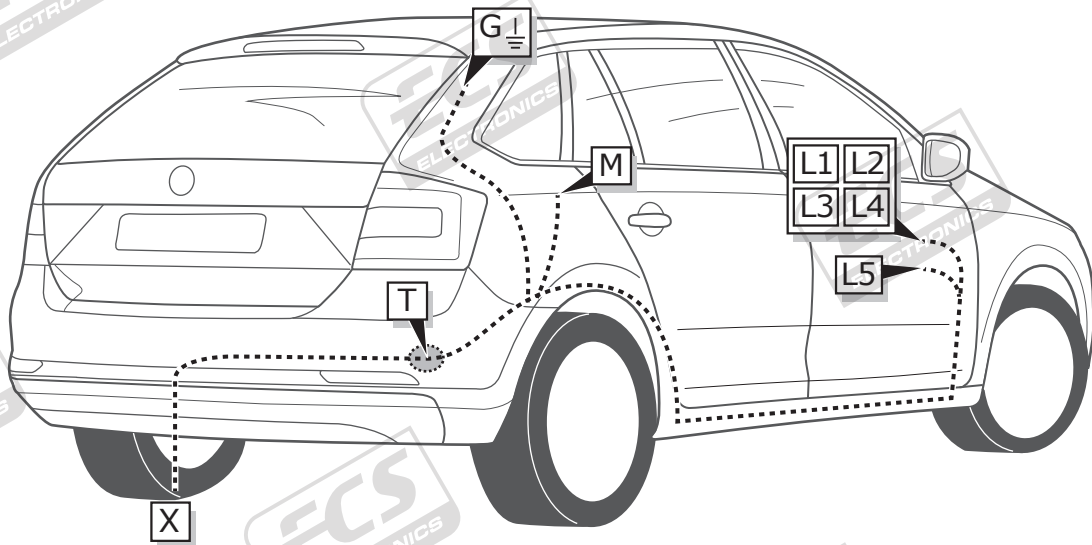
ROUTING

Skoda Rapid HB / Seat Toledo HB

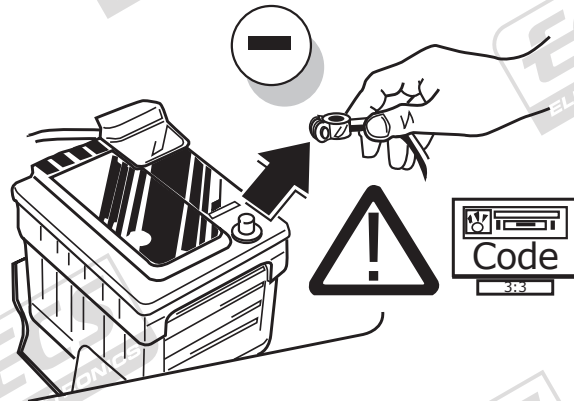


ROUTING

Skoda Rapid Spaceback

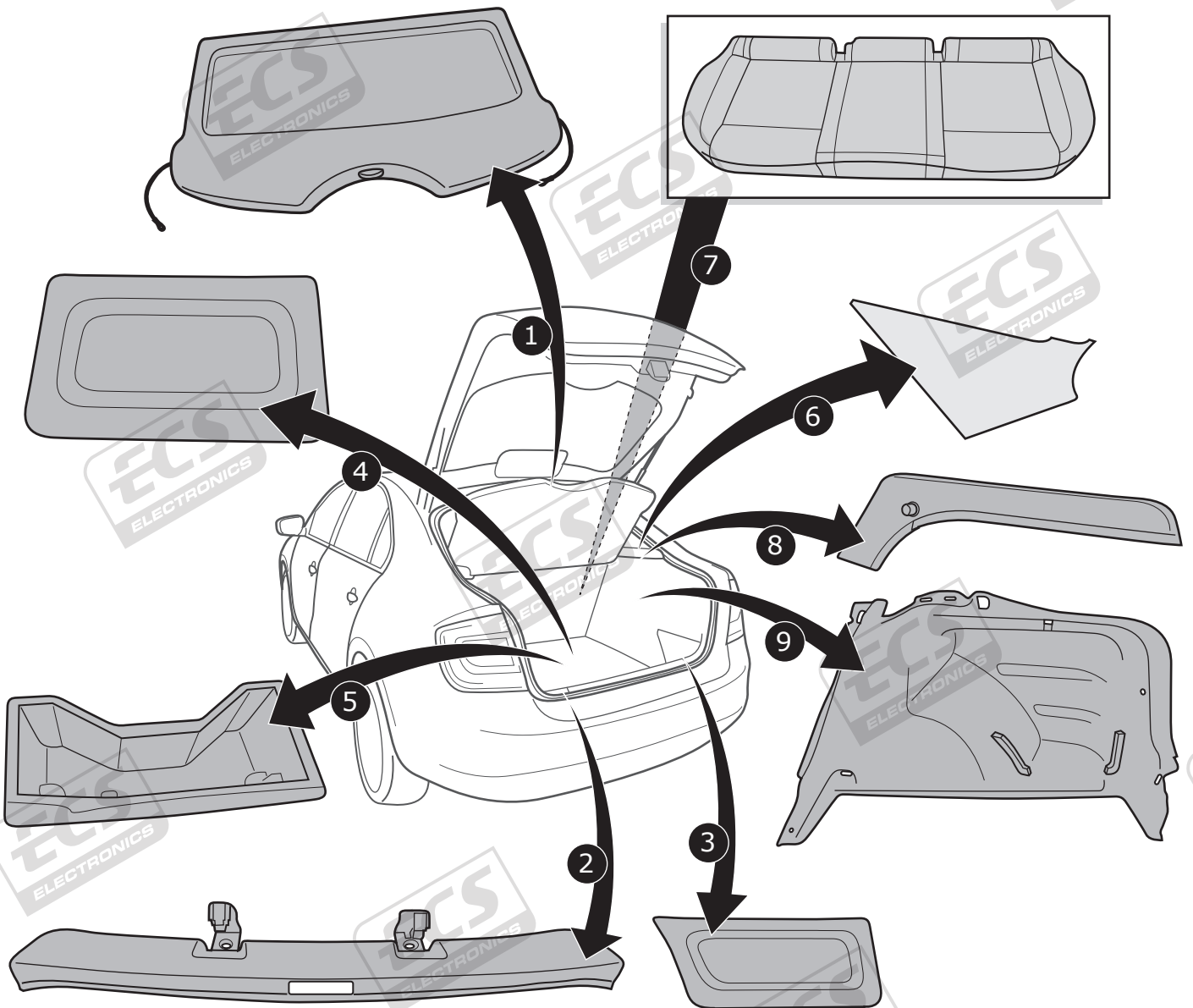


1



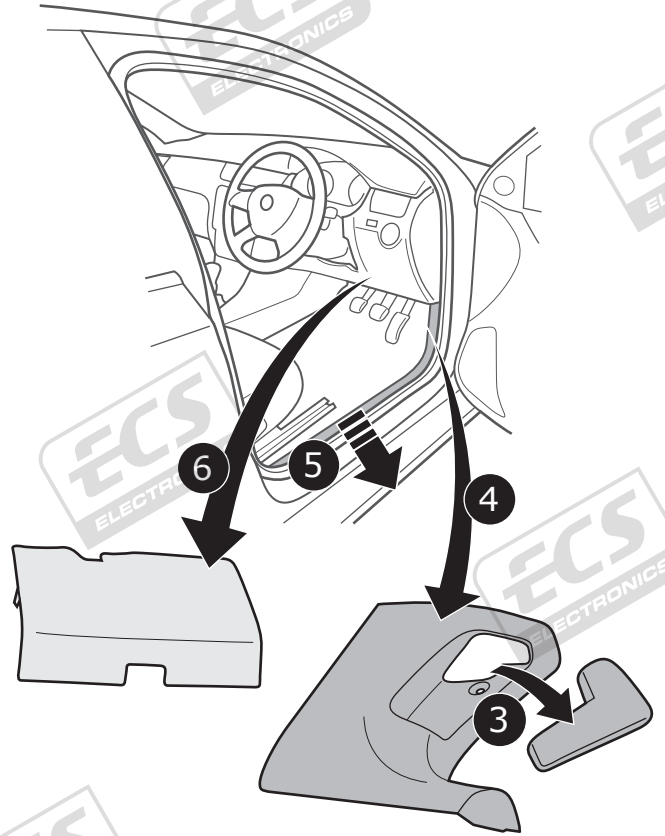
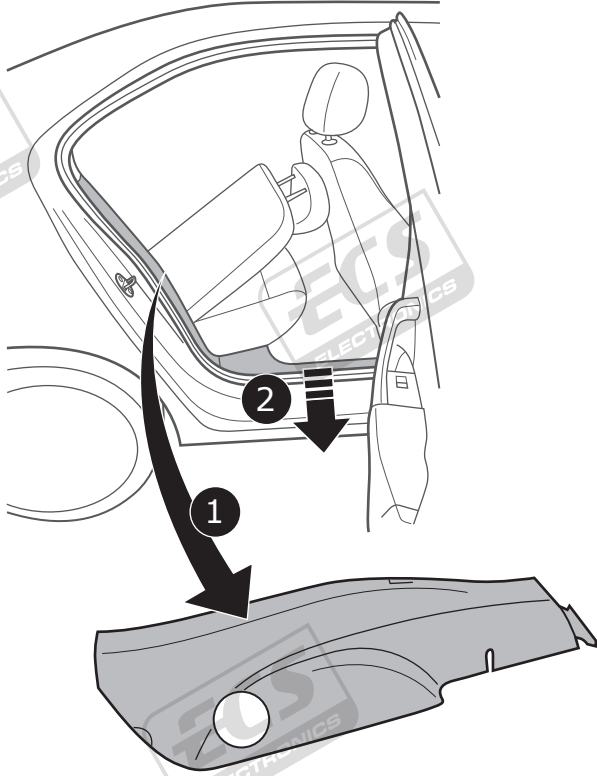
2

Skoda Rapid HB / Seat Toledo HB



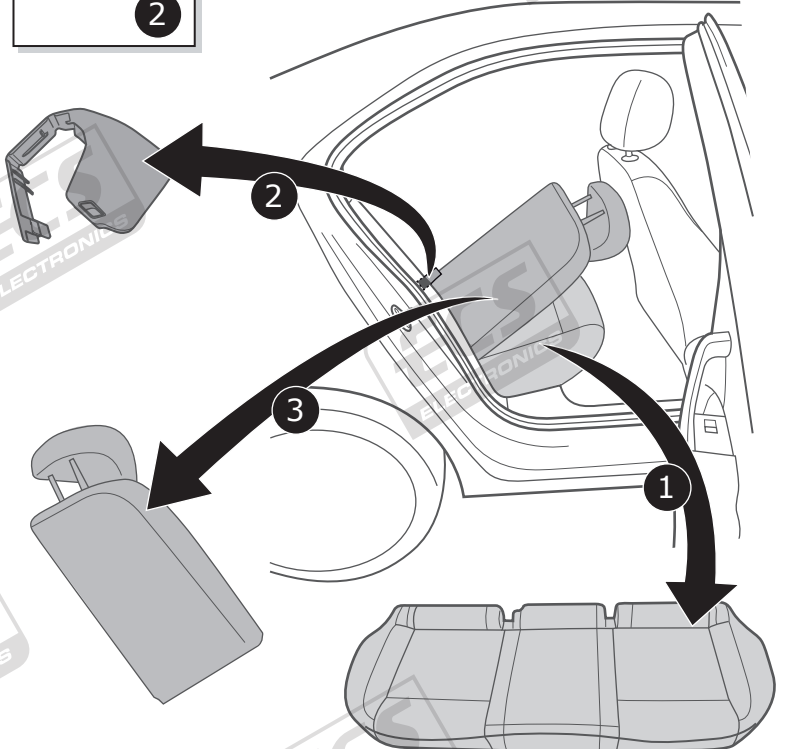
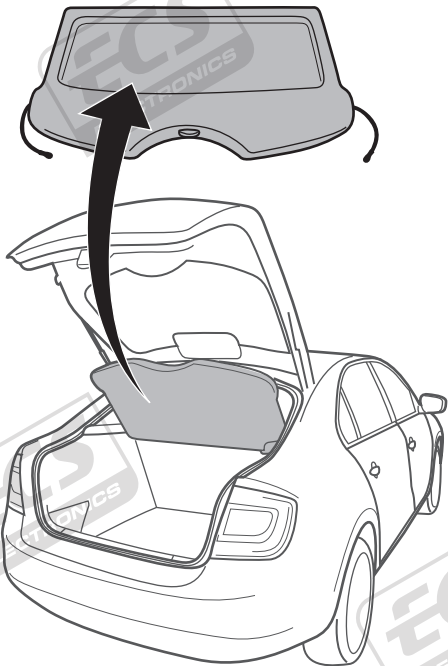
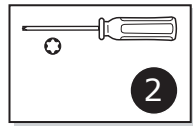
2.1

All models

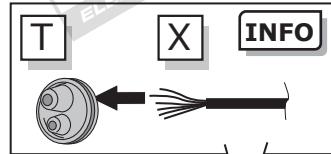
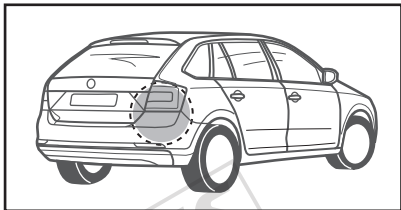
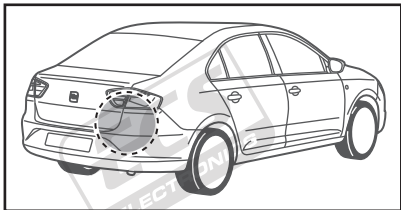
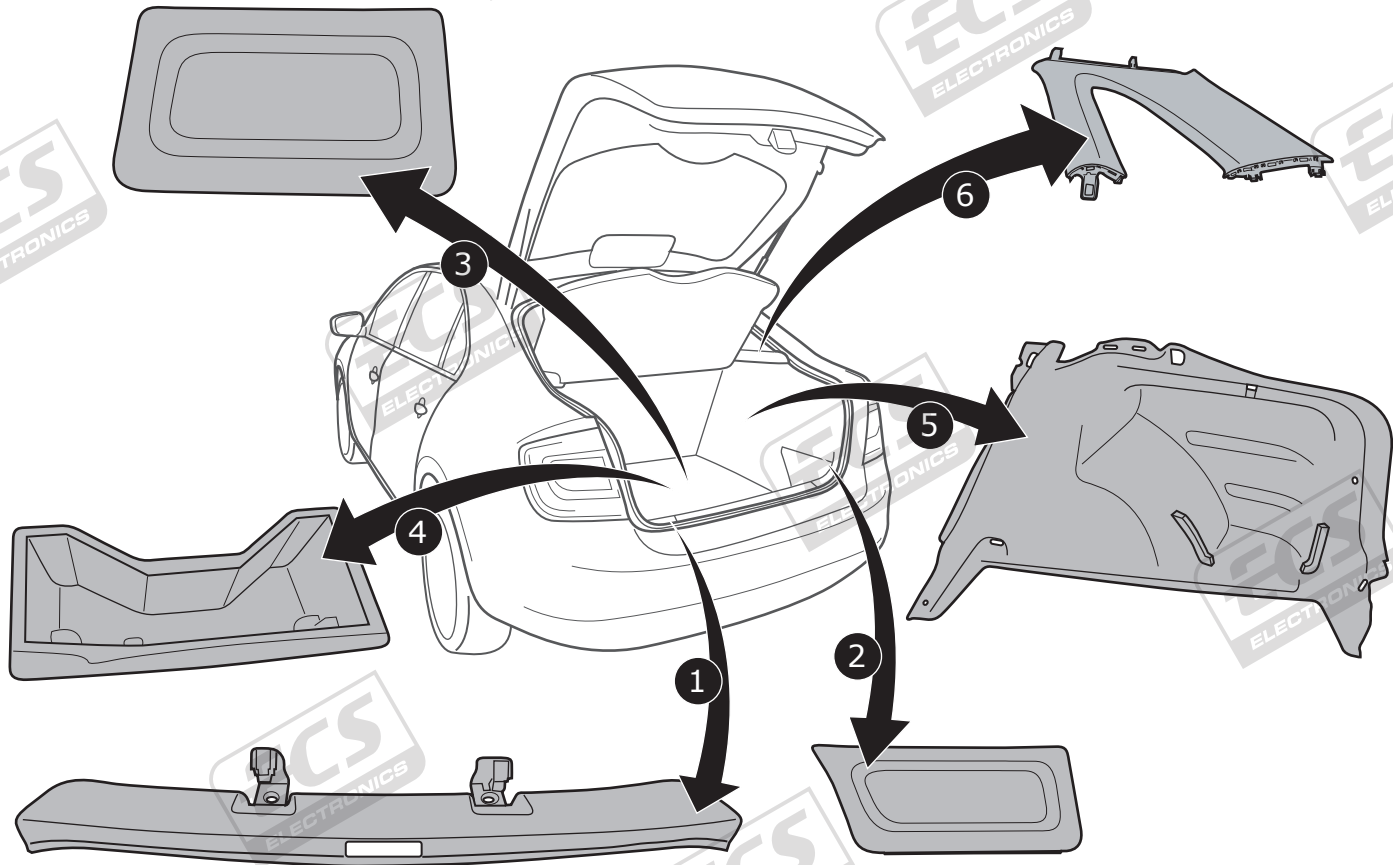


2.2

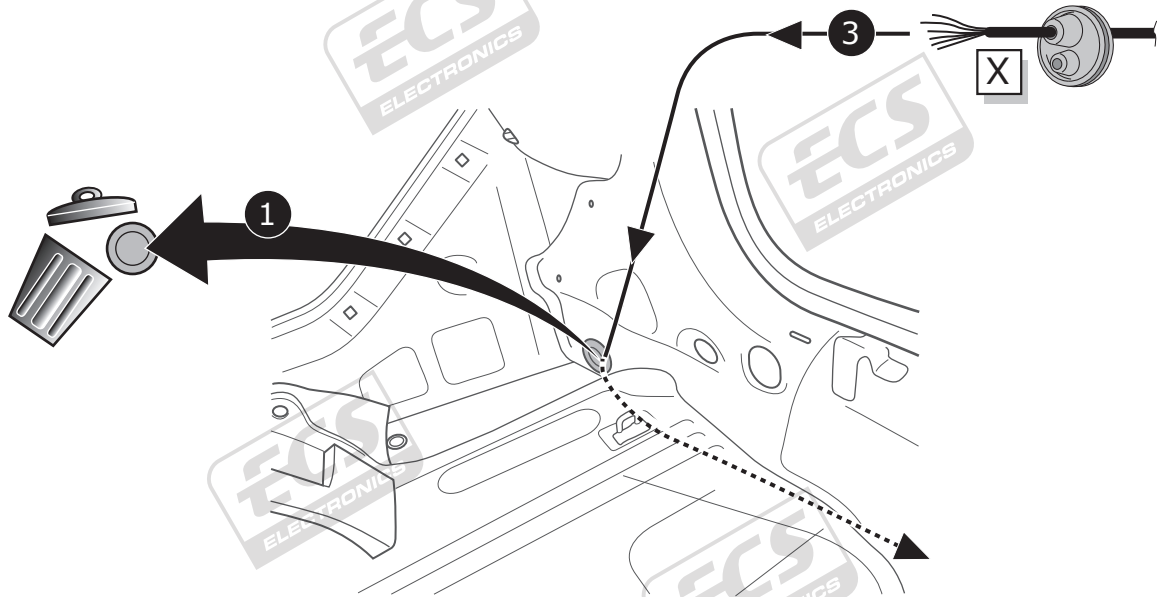
Skoda Rapid Spaceback



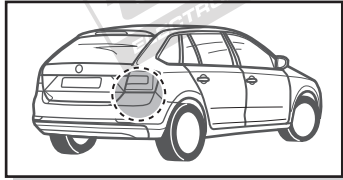
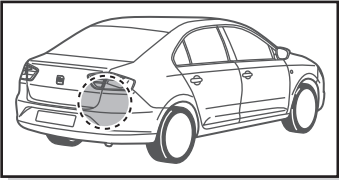
Skoda Rapid Spaceback



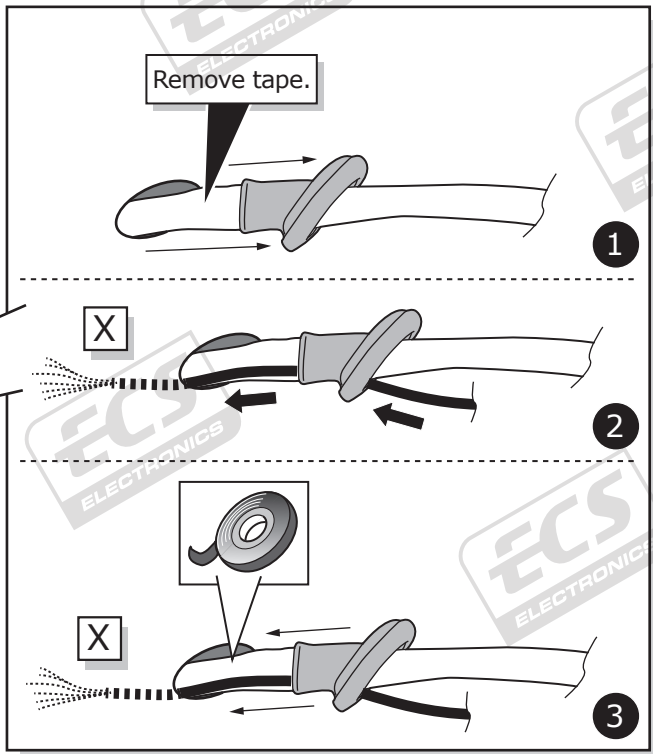
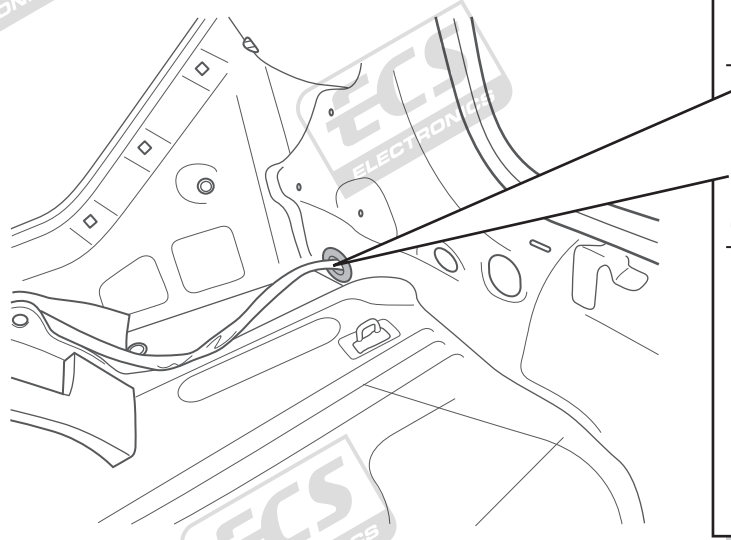
Option 1



3.1

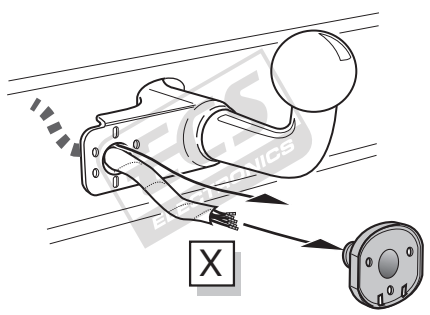


Option 2

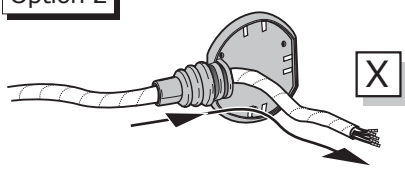


A

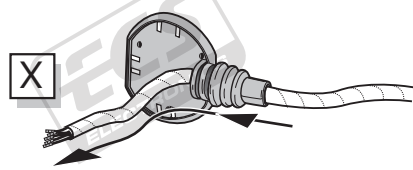
Option 1



Option 2



Option 3



INFO

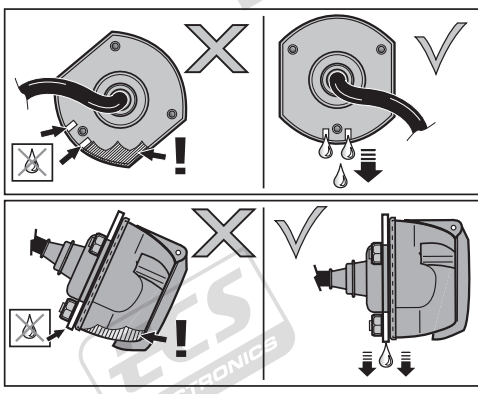
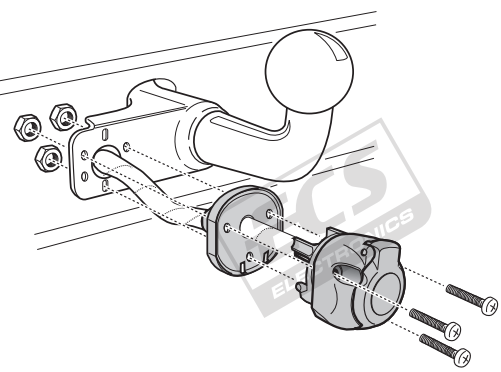
SOCKET CONNECTION

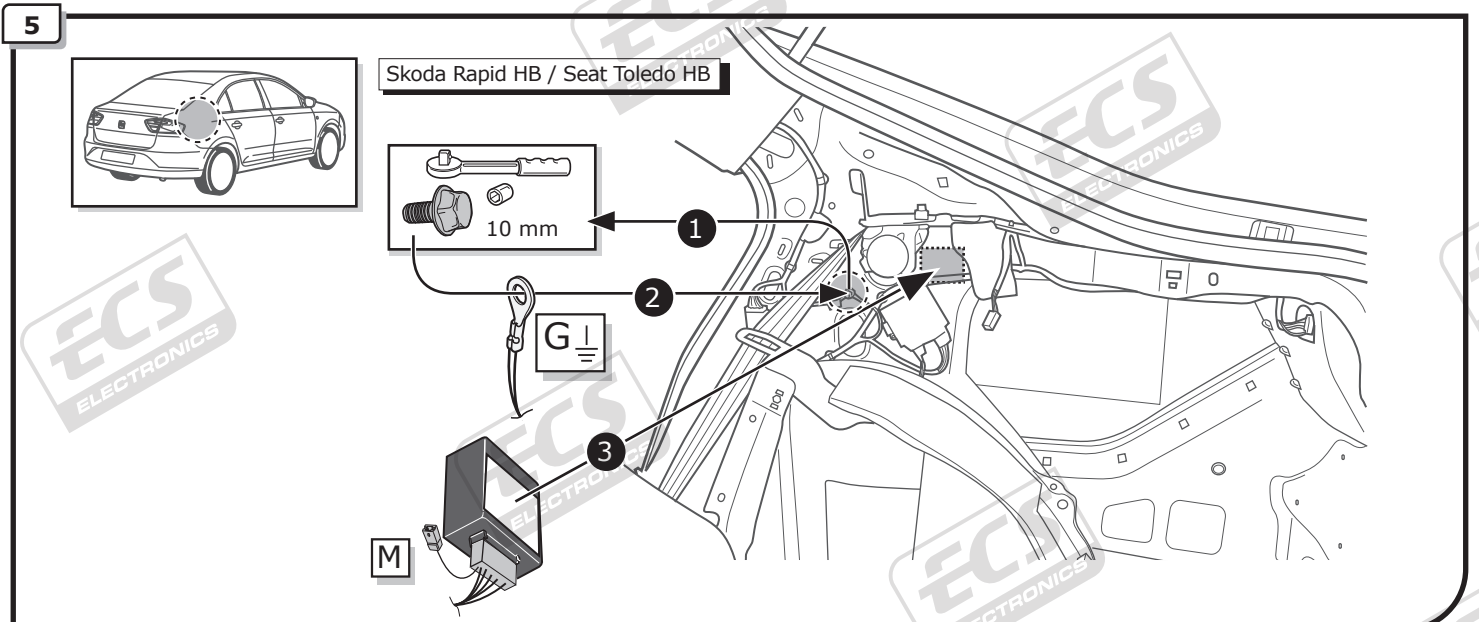
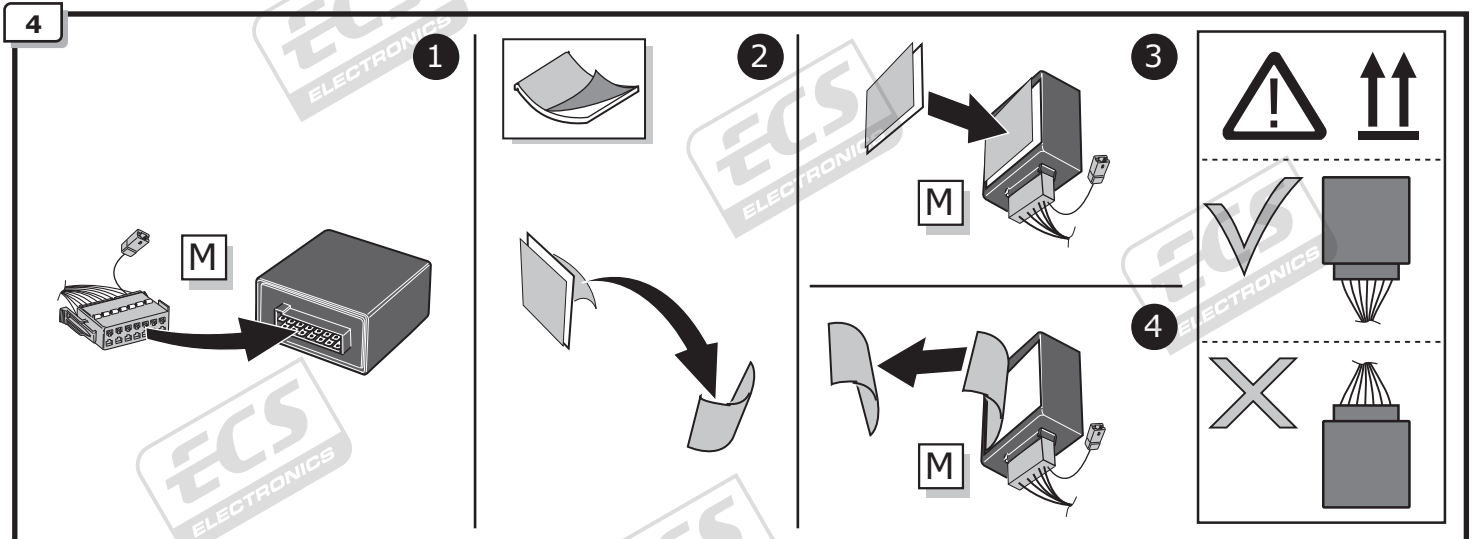
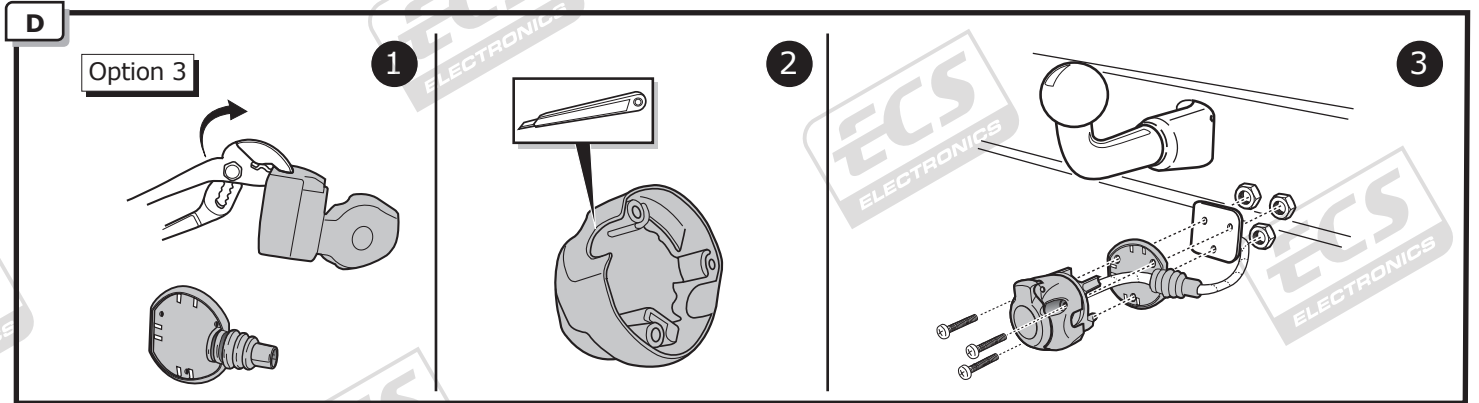
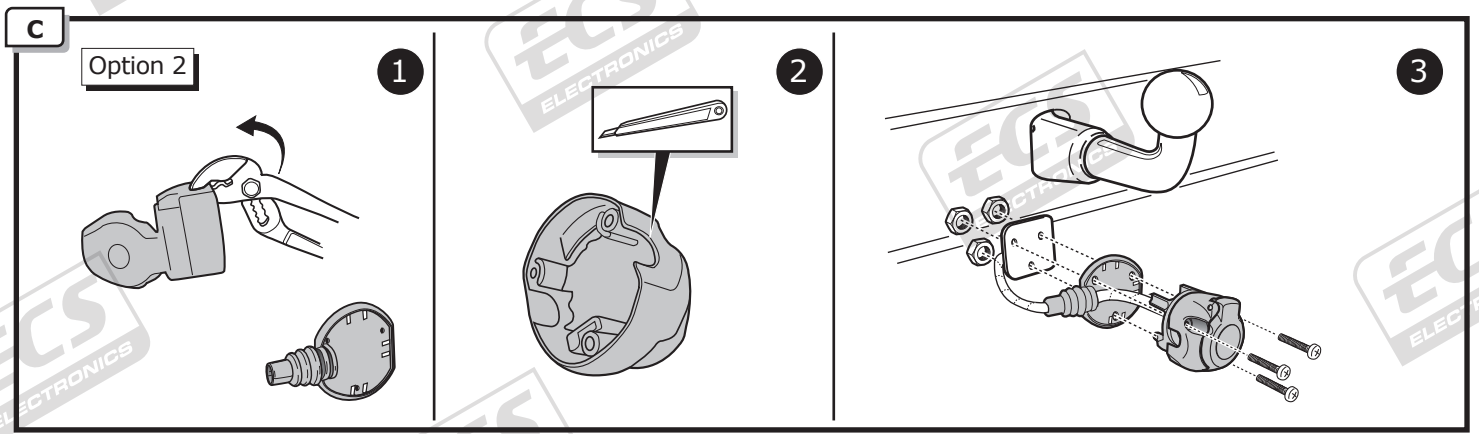


Pag. 17

B

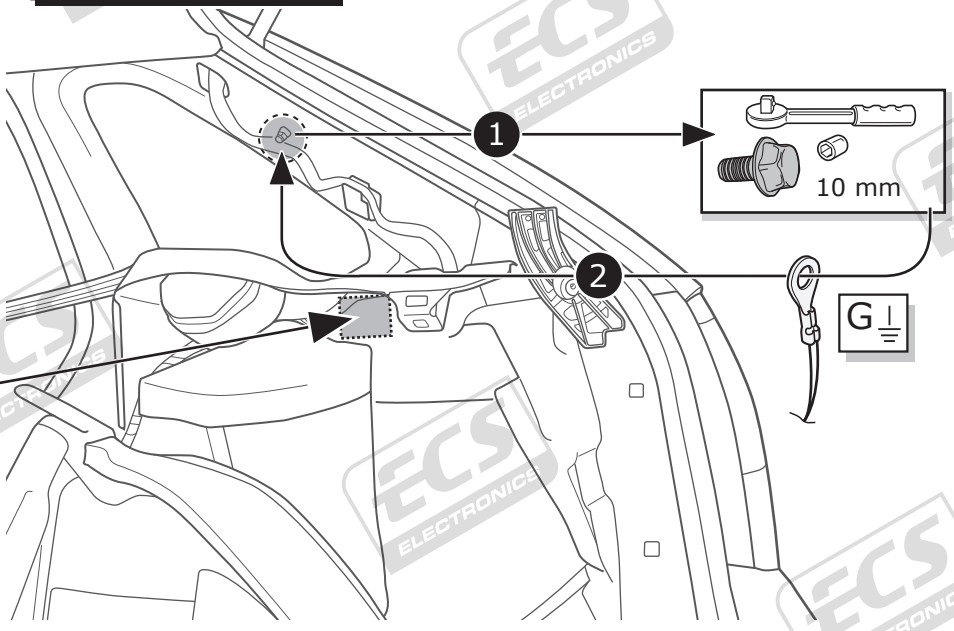
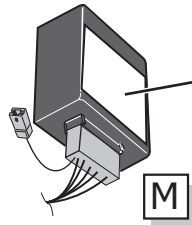
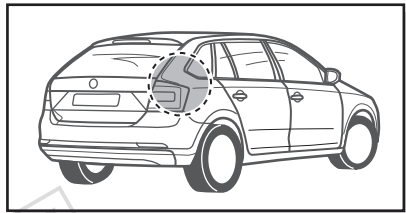
Option 1



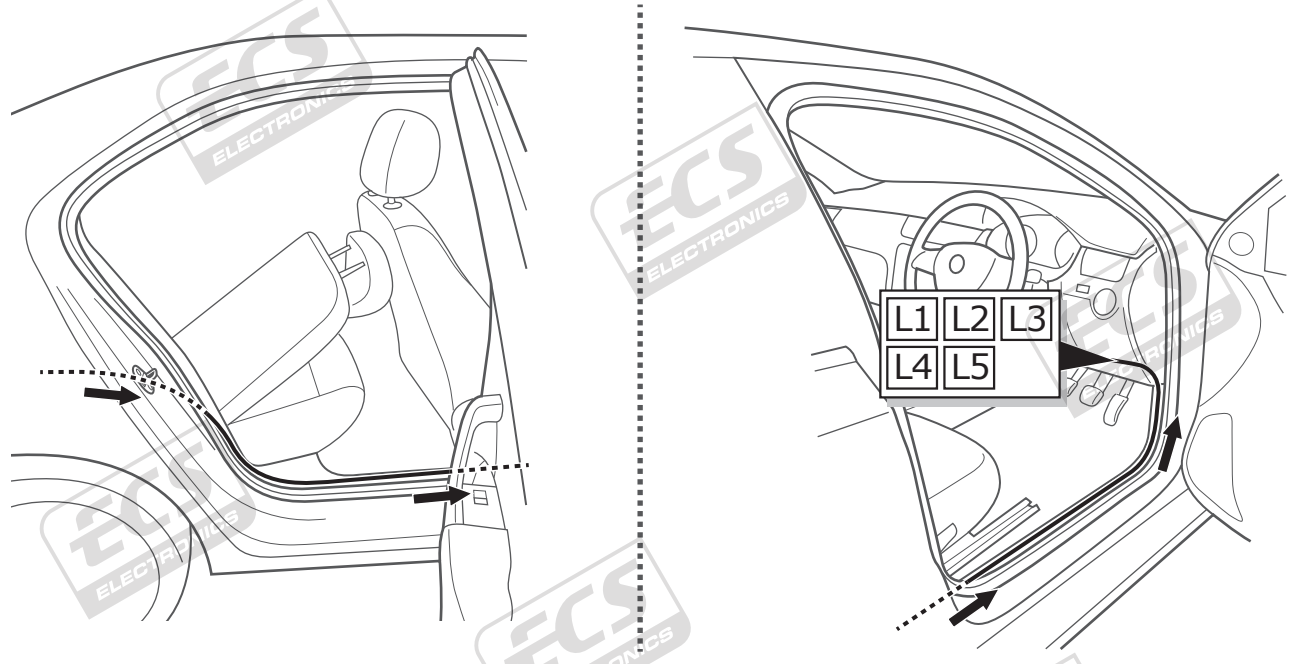


5.1

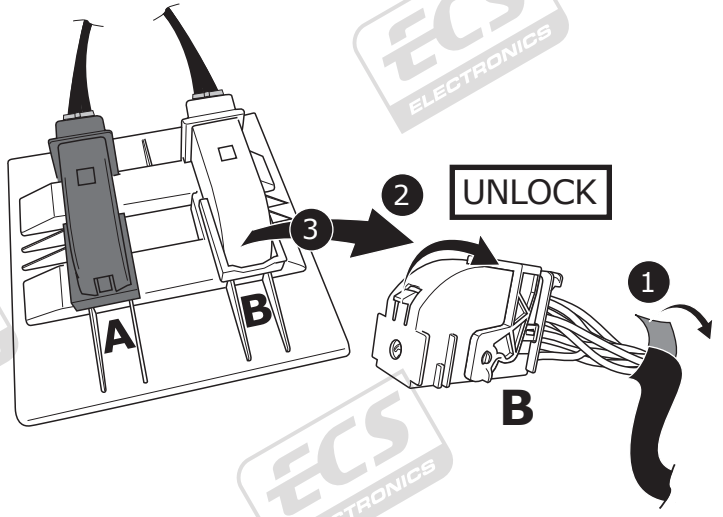
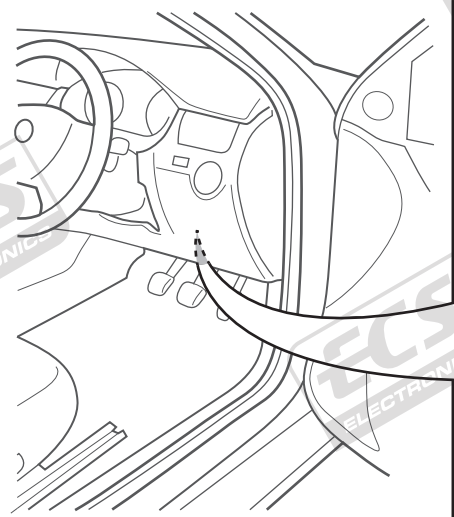
Skoda Rapid Spaceback



6

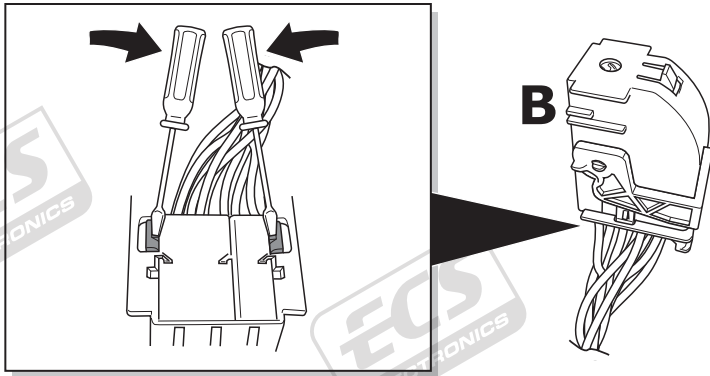


7

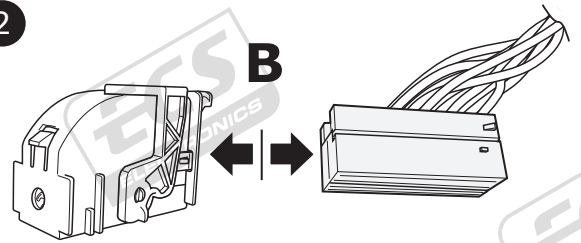


8

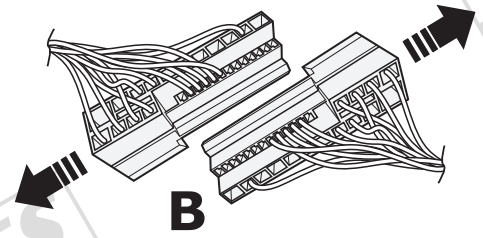
1



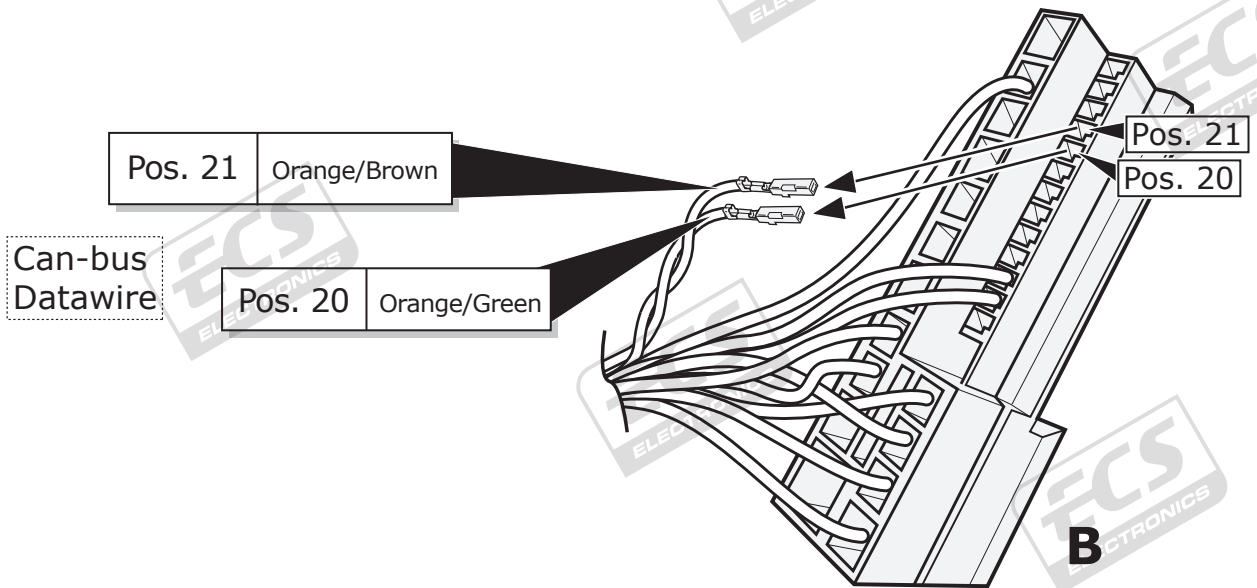
2



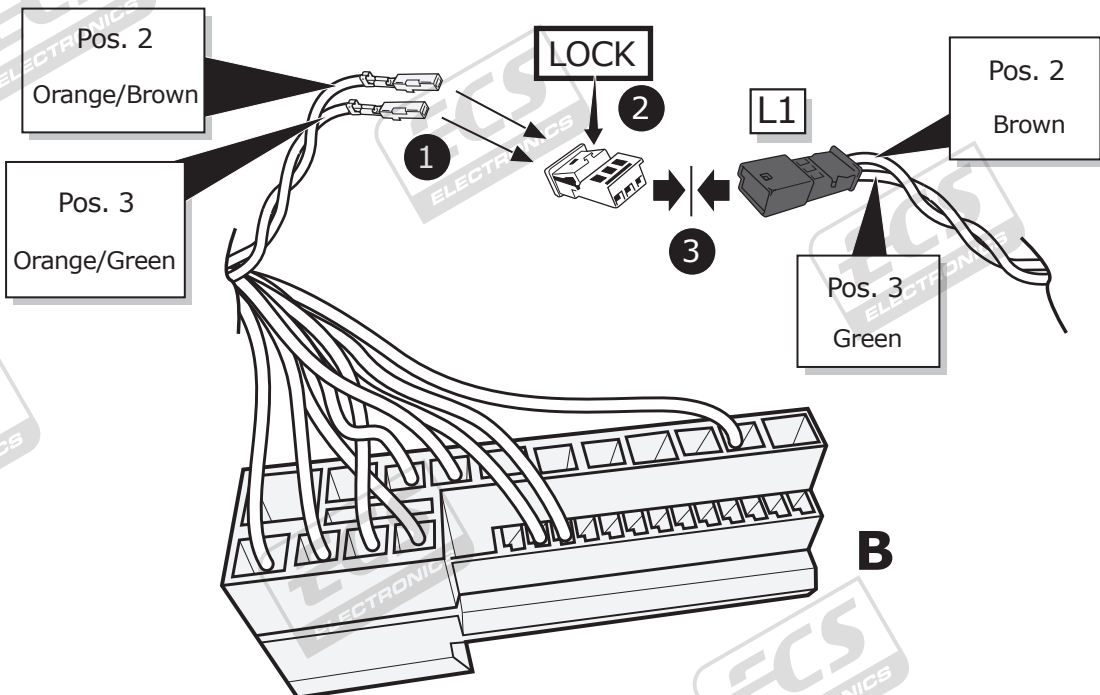
3



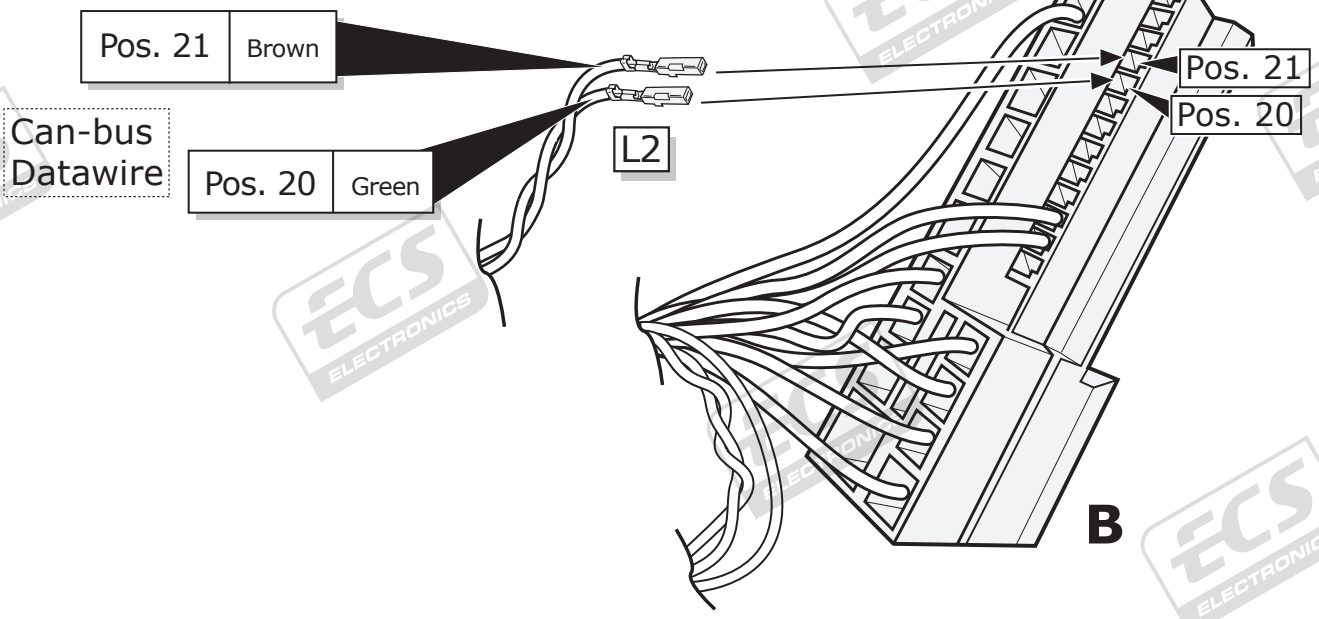
9



10

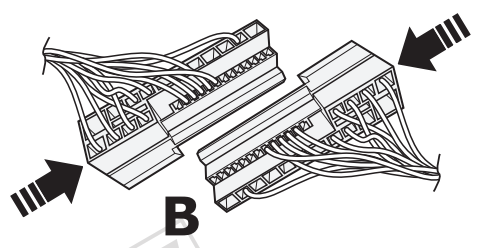


11

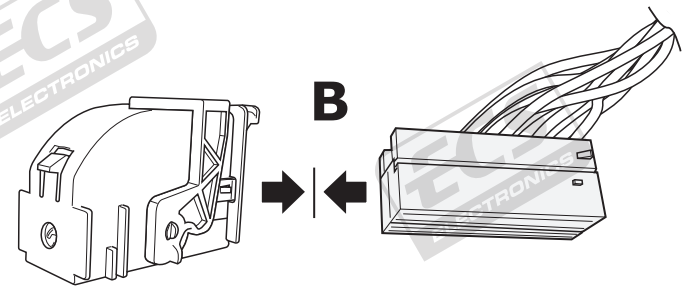


12

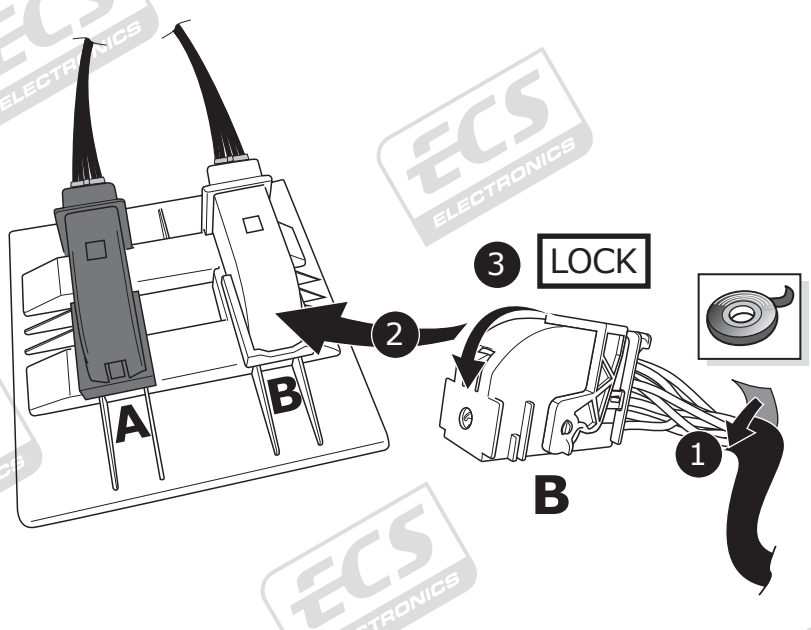
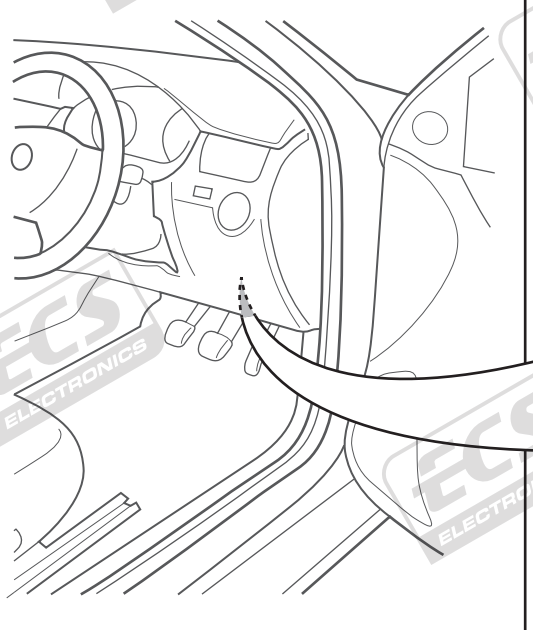
1



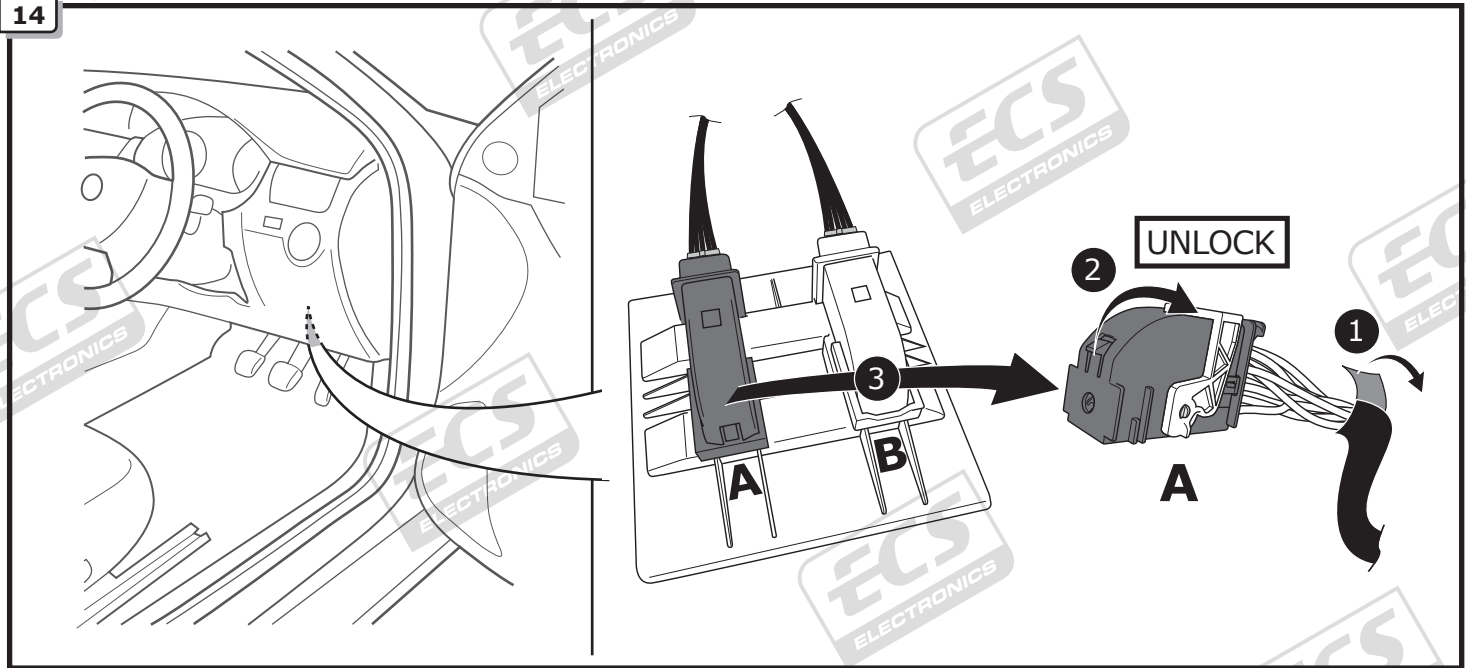
2



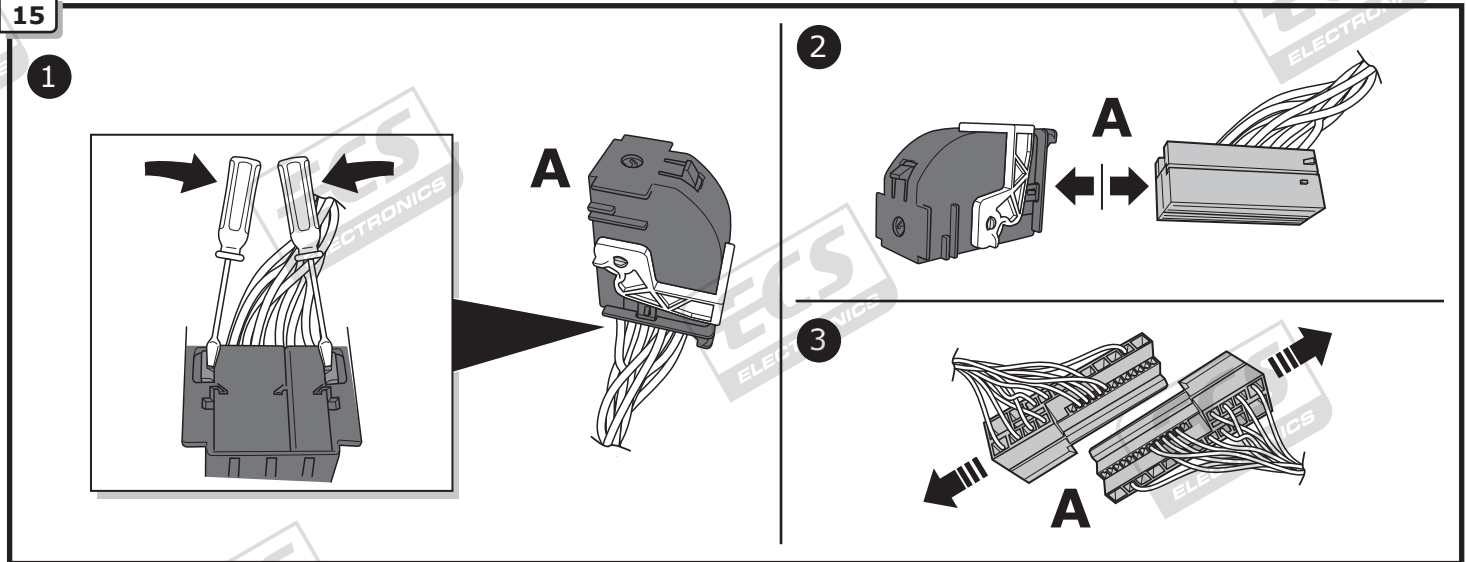
13



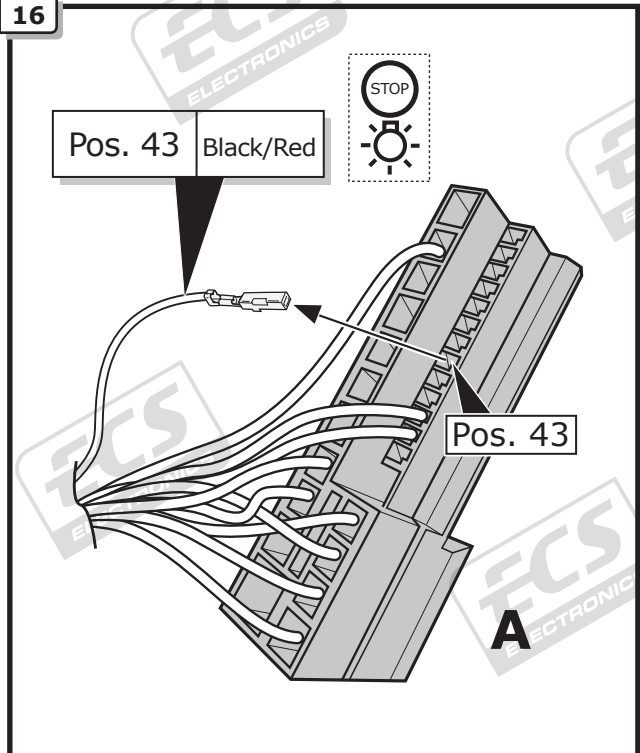
14



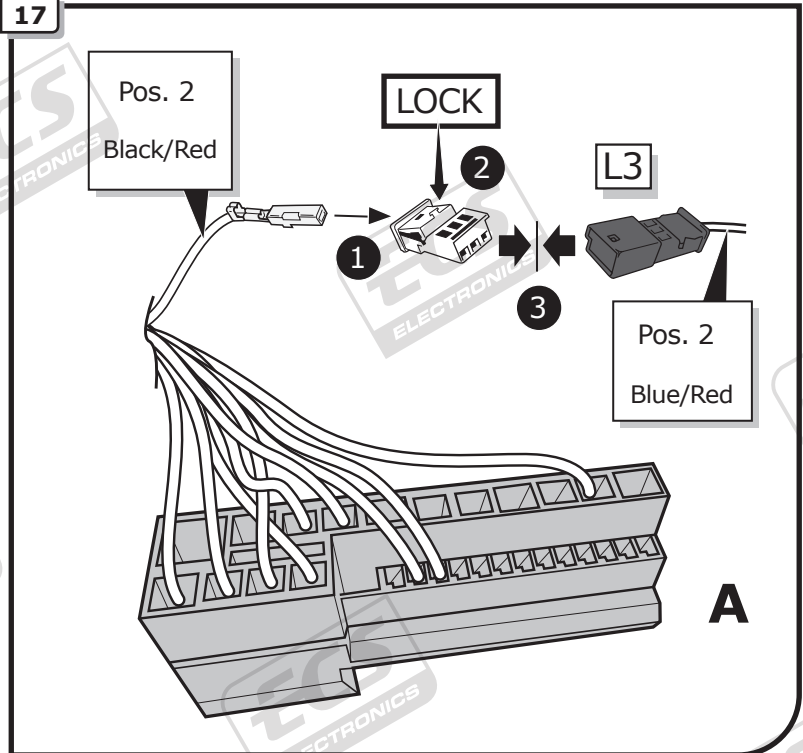
15



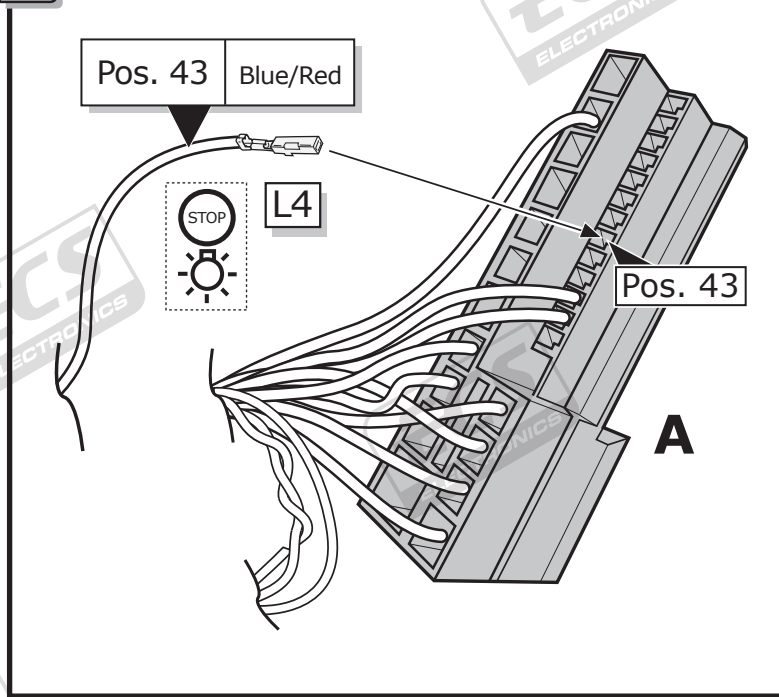
16



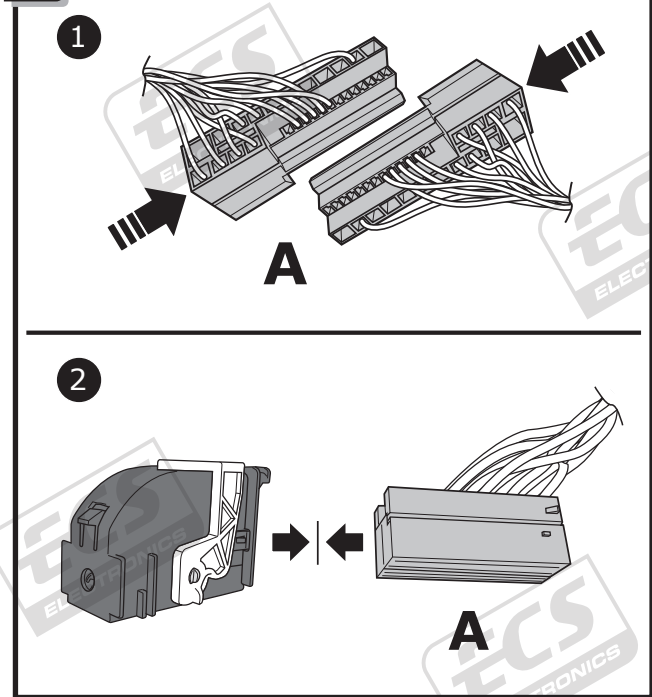
17



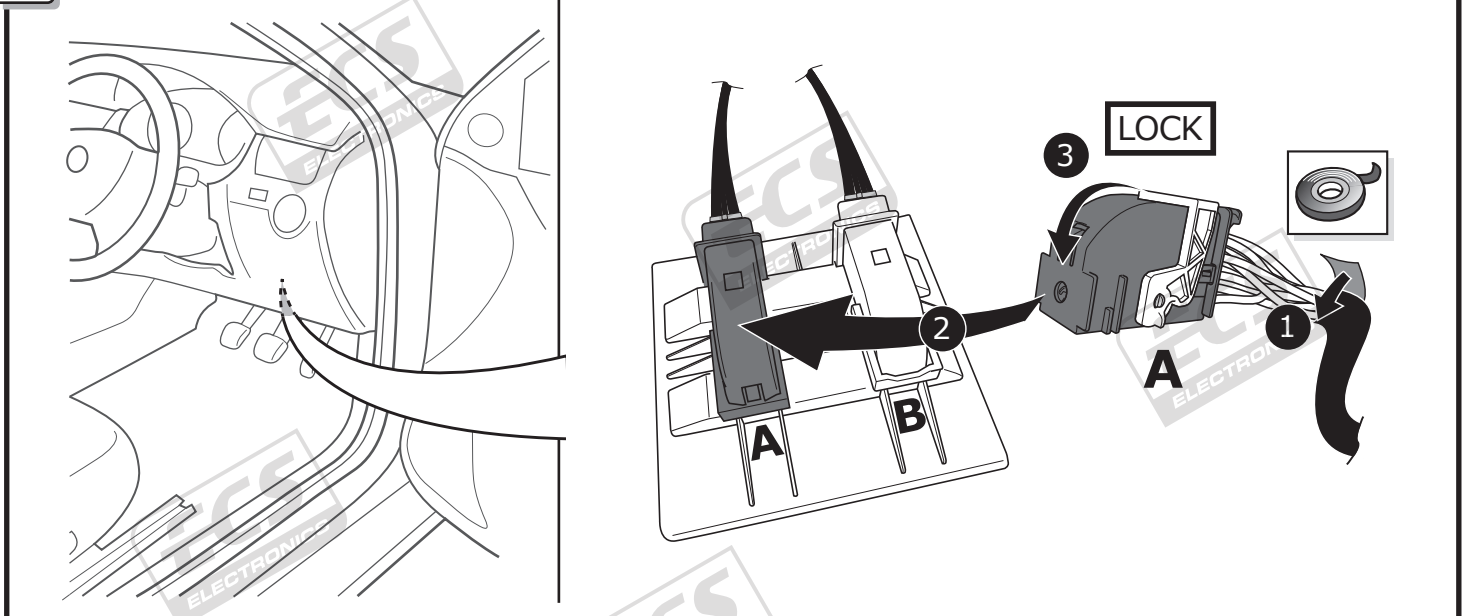
18



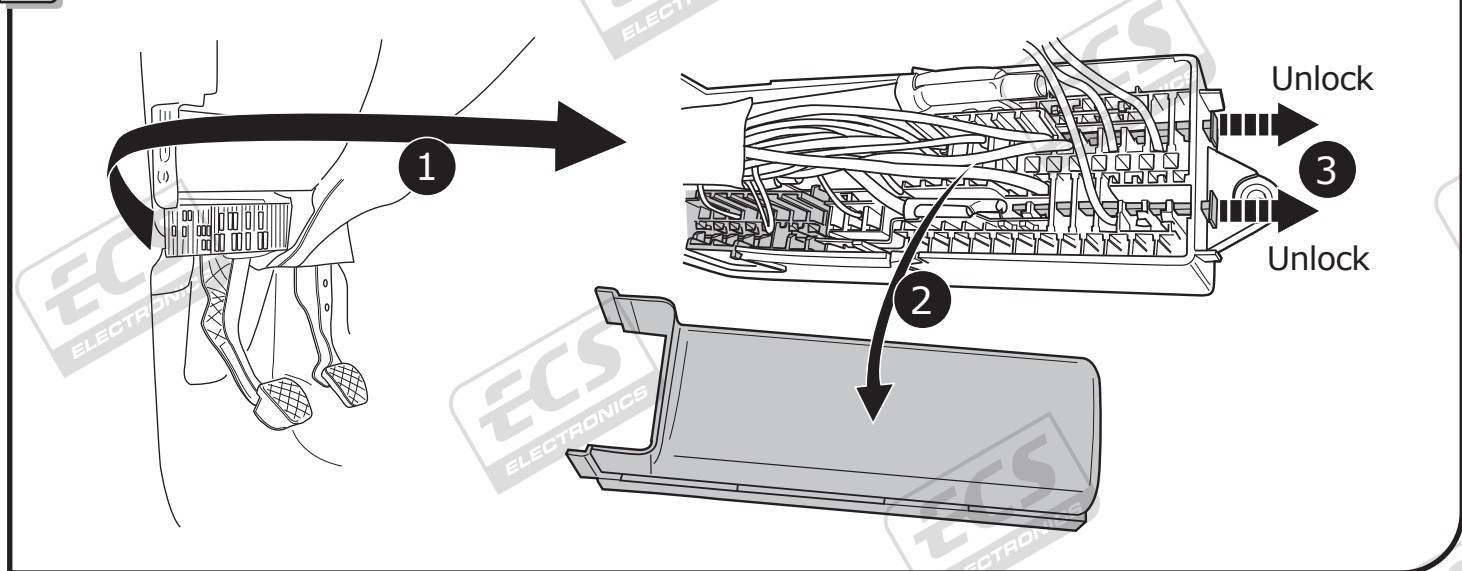
19



20



21



22

+15

+30

+30

2

1x

L5

Orange

+30

Pos.

3

Pos.:

User Guide

1

23

If positions are taken

1

pos. 46

pos. 56

U1

pos. 55

pos. 56

L5

Orange

+30

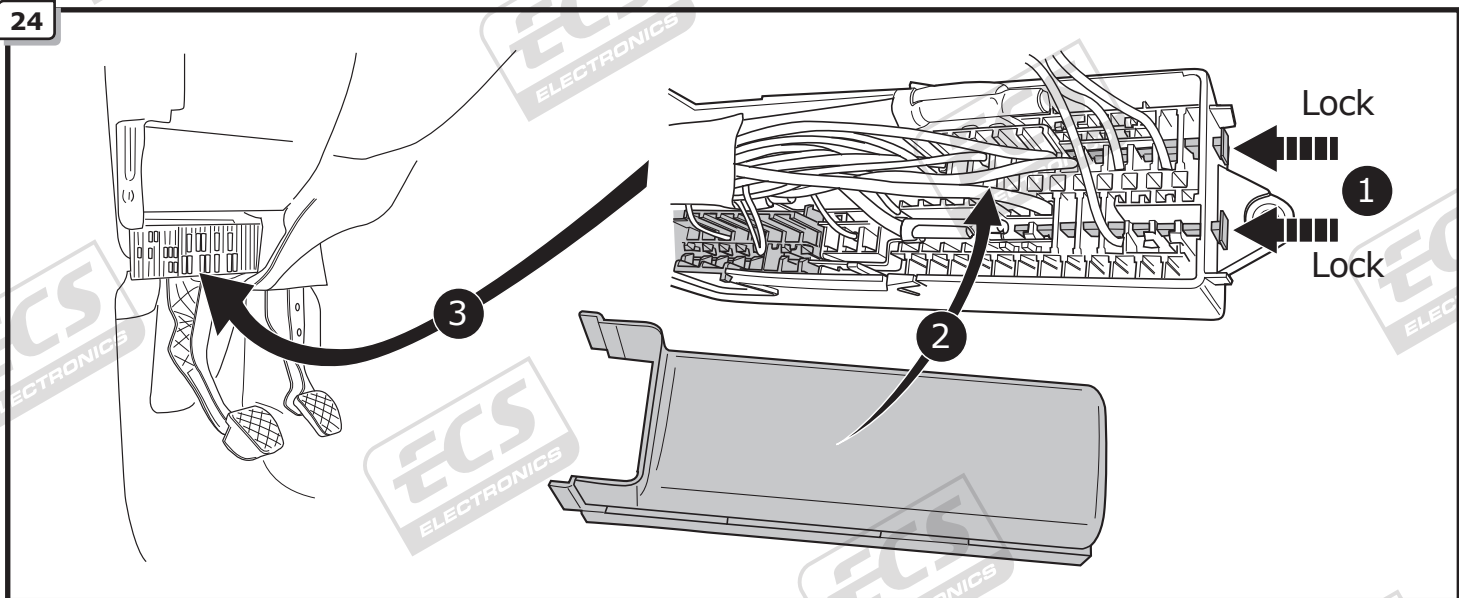
2

pos. 56

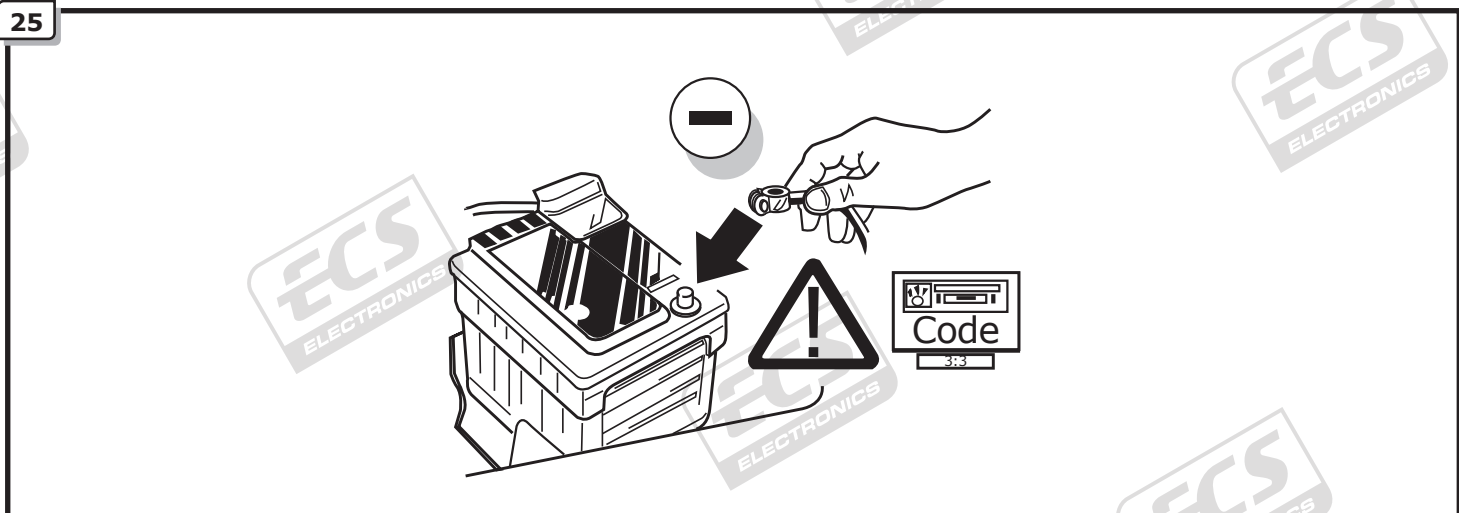
20 Amp.

20 Amp.

24



25



26

A VAG SERVICE TESTER MUST BE USED TO CODE THE VEHICLE'S GATEWAY WITH THE ADDITIONAL FUNCTION FOR THE TOWING HITCH AT THE DEALER.

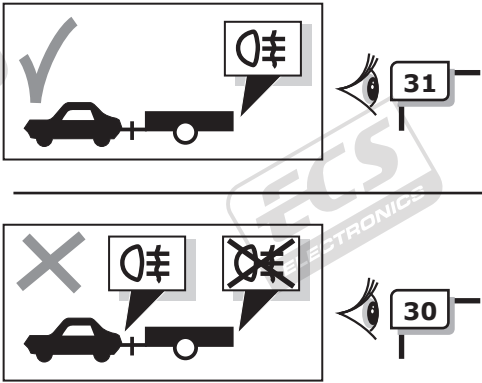
27

! WARNING! IT MUST BE ENSURED THAT ALL THE REQUIREMENTS OF THE VEHICLE MANUFACTURER FOR CHANGES TO AND RETRO-FITTING ON THE VEHICLE AND/OR COOLING SYSTEM FOR THE OPERATION WITH A TRAILER ARE CARRIED OUT.

■ SUBJECT TO CHANGE.

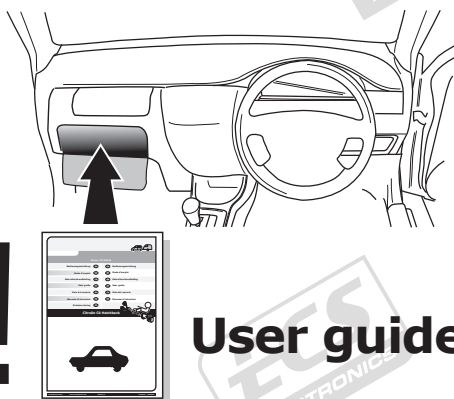


TEST ALL THE CIRCUITS WITH A TEST DEVICE WITH THE CORRECT POWER LOAD FOR EACH FUNCTION. A TEST DEVICE WITH LED'S CANNOT BE USED FOR THIS PURPOSE.



Consult your supplier.

REINSTALL TRIM.



User guide

SOCKET CONNECTION

DIN/ISO 1724							
	1/L	2	3/31	4/R	5/58-R	6/54	7/58-L
Pmax	21W	2x21W		21W	52W	3x21W	52W
Colour	Black/ White	Blue	Brown	Black/ Green	Grey/ Red	Black/ Red	Grey/ Black

Reverse signal preparation

