

SKODA

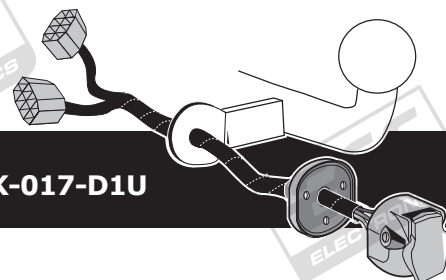
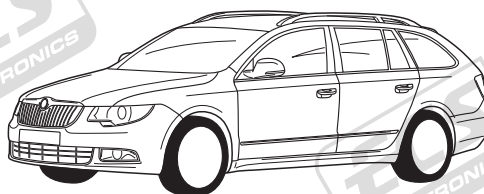
Octavia HB 2004- & 2009-

Octavia Combi 2005- & 2009-

Octavia Scout 2007- & 2009-

SuperB 09|2008-

SuperB Combi 2010-

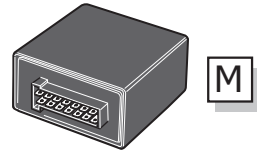
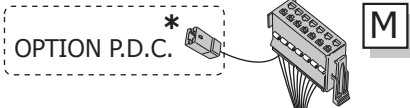
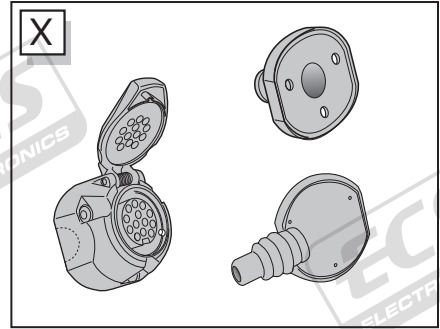
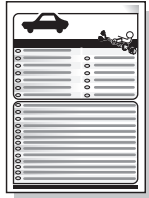
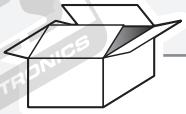


Partnr.: SK-017-D1U

- Fitting instructions electric wiring kit tow bar with 13-P socket up to DIN/ISO Norm 11446.
- We would expressly point out that assembly not carried out properly by a competent installer will result in cancellation of any right to damage compensation, in particular those arising by virtue of the product liability act.
- Contents of these kits and their fitting manuals are subject to alteration without notice, please ensure that these instructions are read and fully understood before commencing installation.
- Do not overload circuits; the maximum loads per connection are detailed in this manual.
- Attention! Before Installation, please read this manual carefully and inform your customer to consult the vehicle owners manual to check for any vehicle modifications required before towing.
- In the event of functional problems, troubleshooting must be limited to about 0.5 hours, contact the technical support:
t.skinner@ecs-electronics.com / 07440 202 052.



Part list



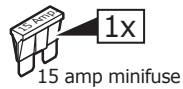
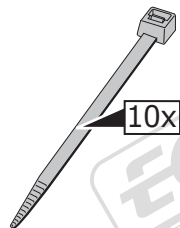
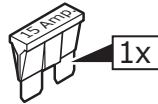
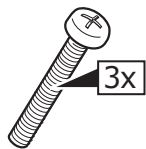
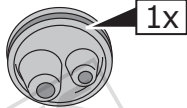
Option! *

PARK DISTANCE CONTROL

↓

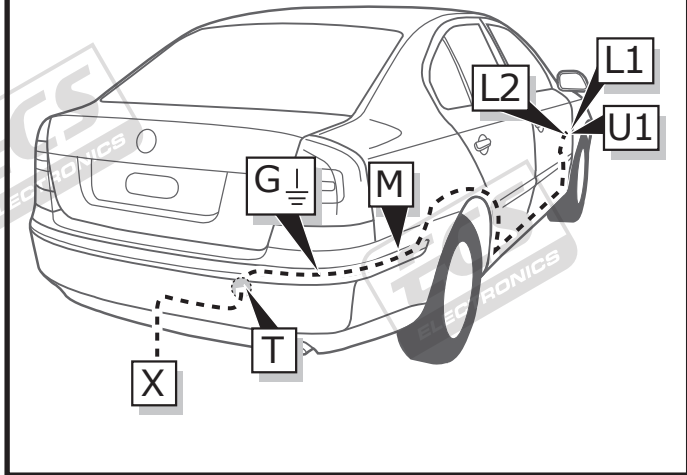
PARK DISTANCE CONTROL

For not OEM P.D.C. System use the: VW-083-ZZ



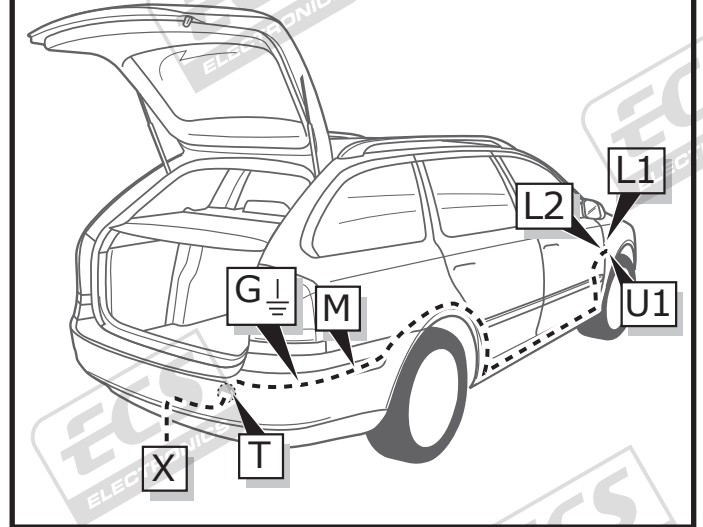
Octavia Hatchback

ROUTING



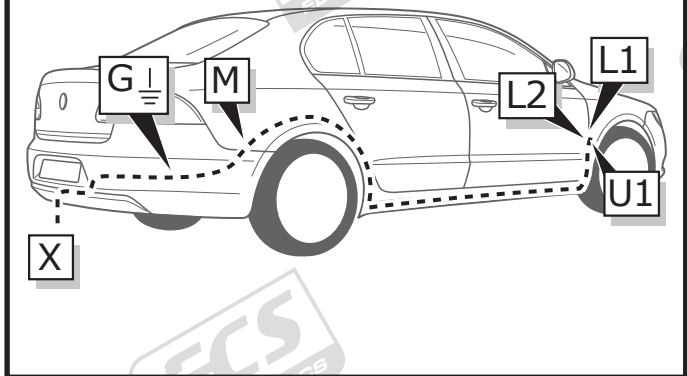
Octavia Combi & Scout

ROUTING



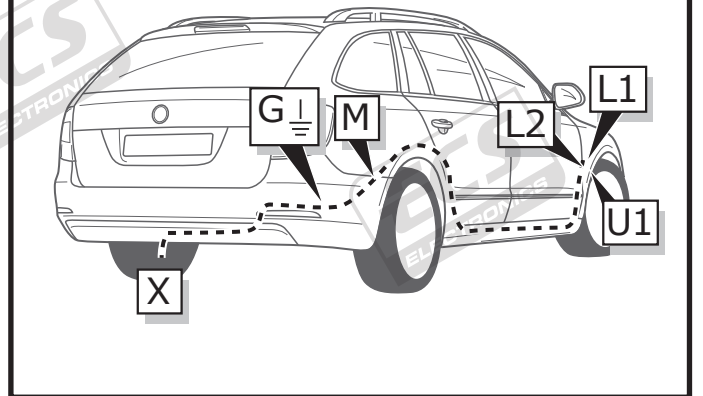
SuperB

ROUTING



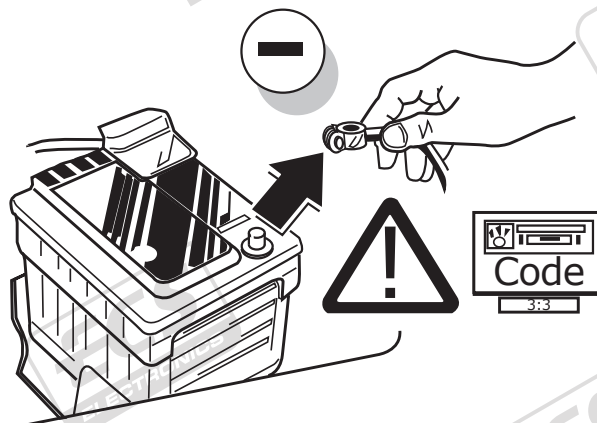
SuperB Combi

ROUTING



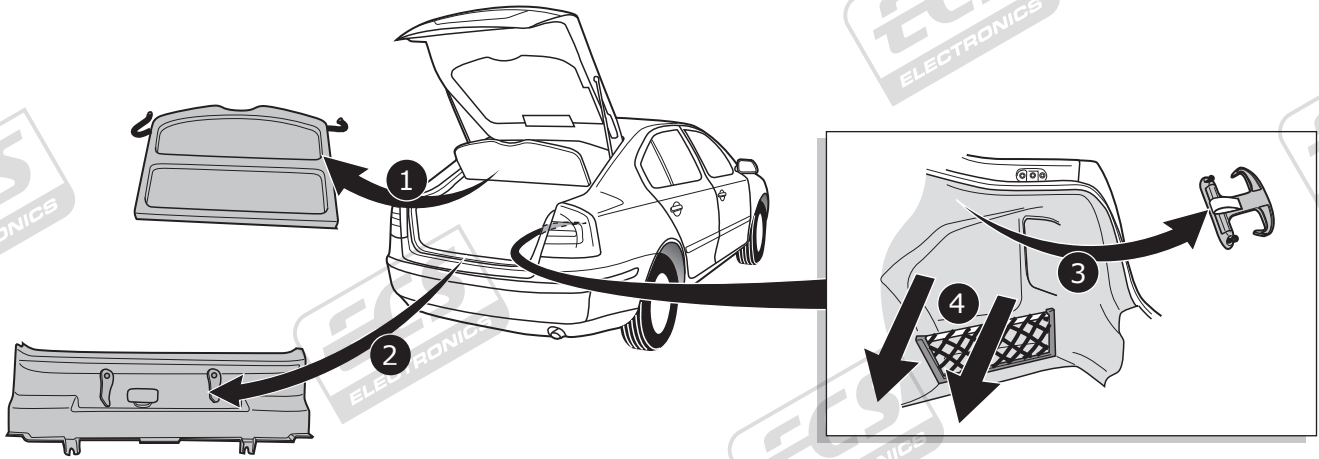
Octavia Hatchback / Octavia Combi & Scout / SuperB / SuperB Combi

1



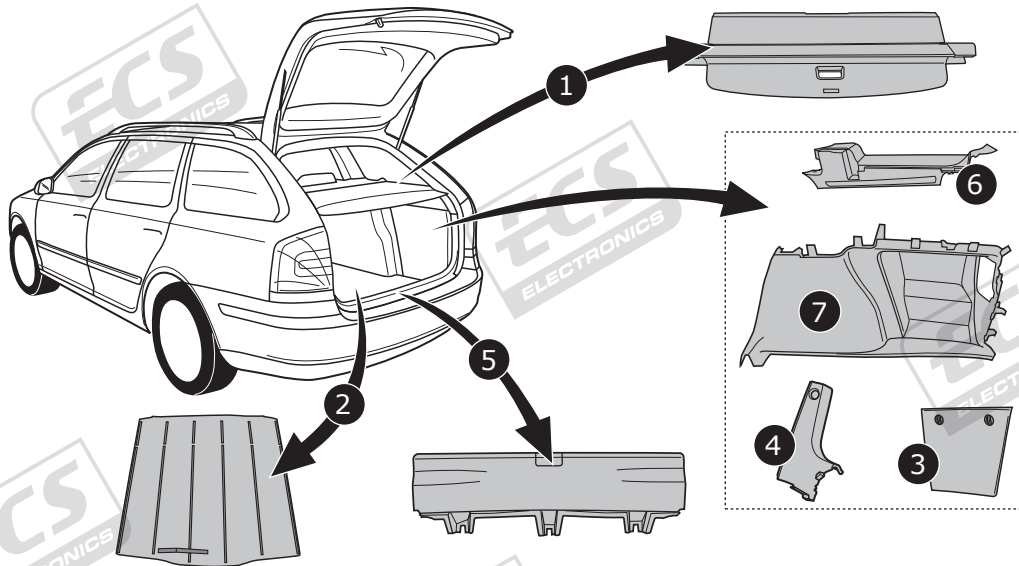
Octavia Hatchback

2



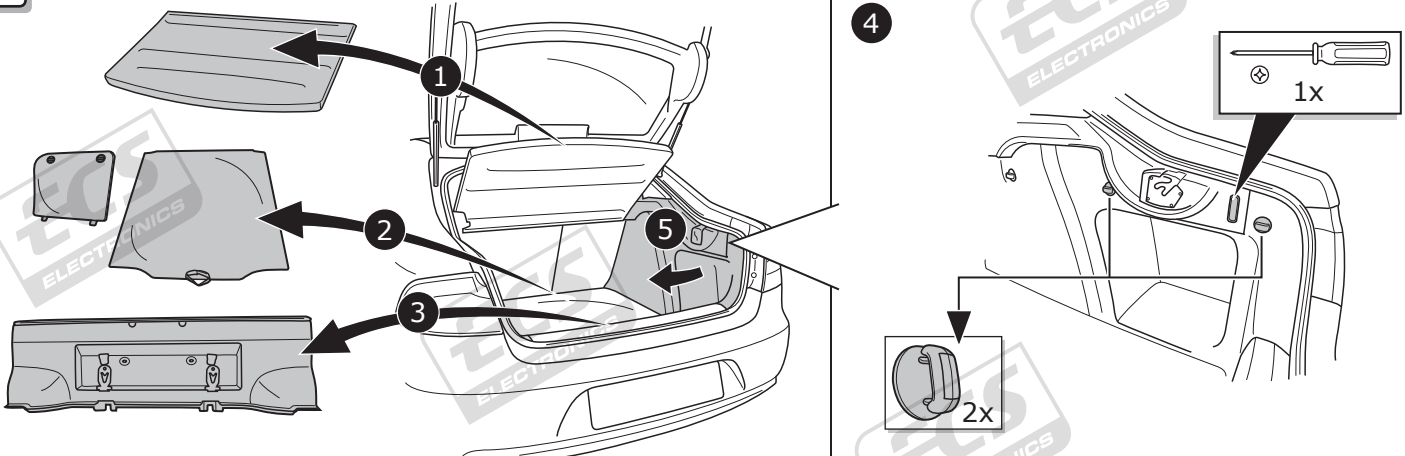
Octavia Combi & Scout

3



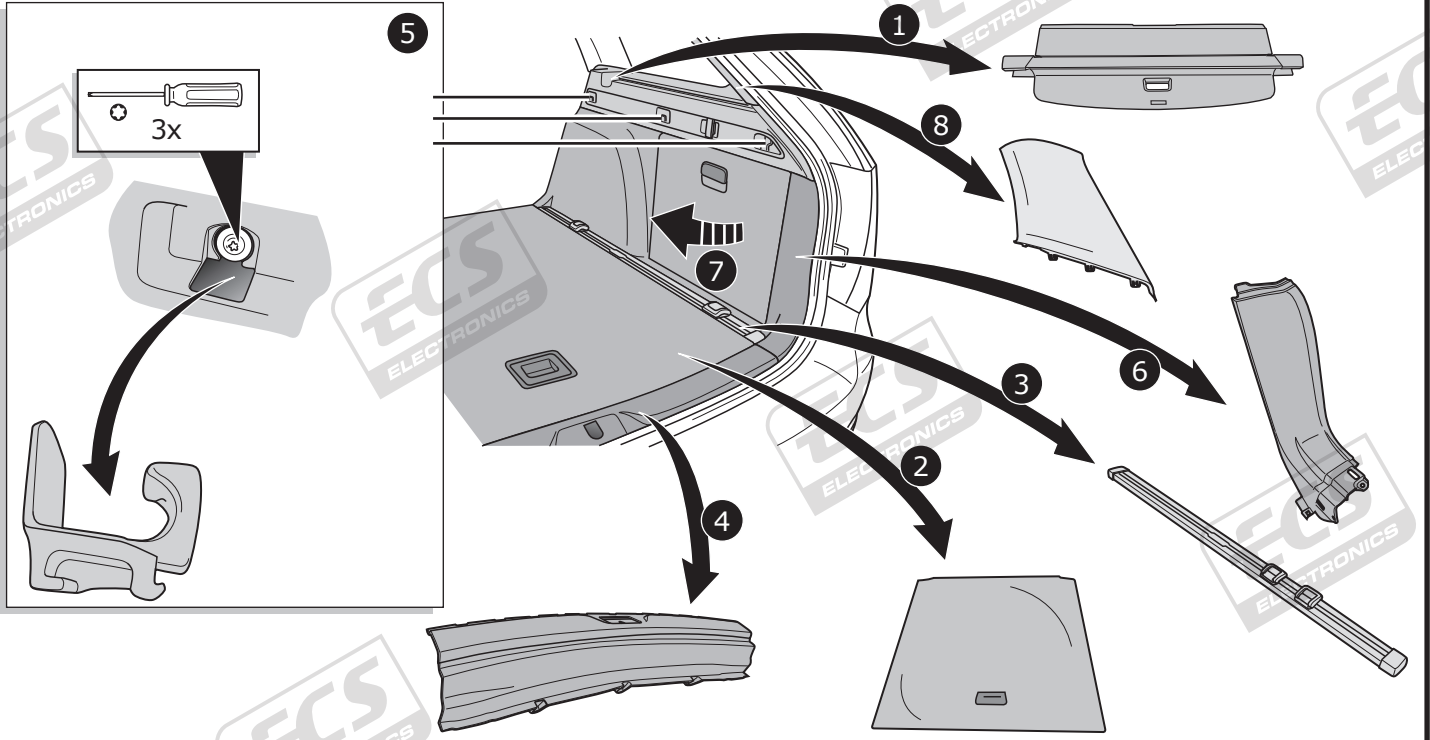
SuperB

4



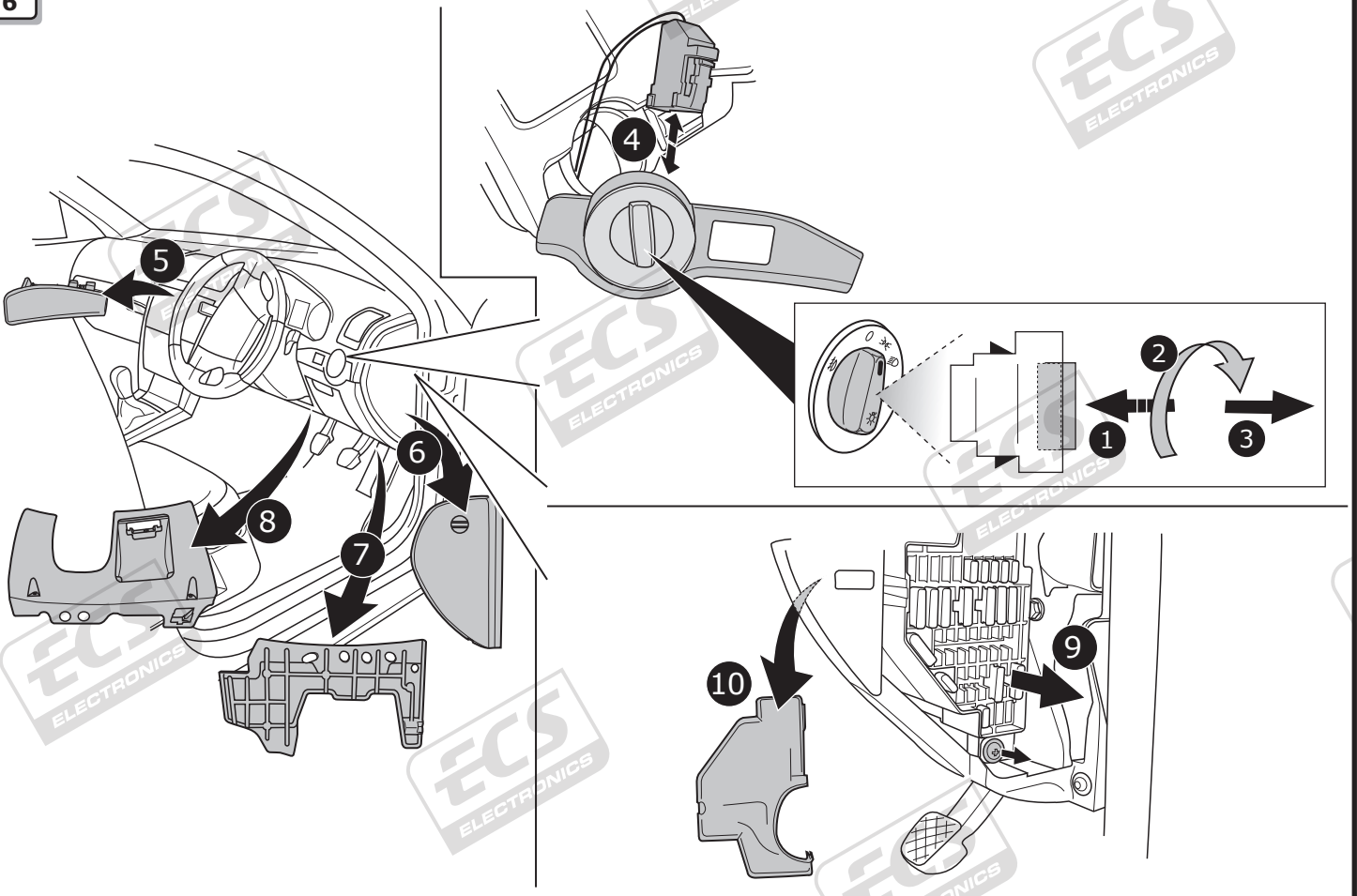
SuperB Combi

5



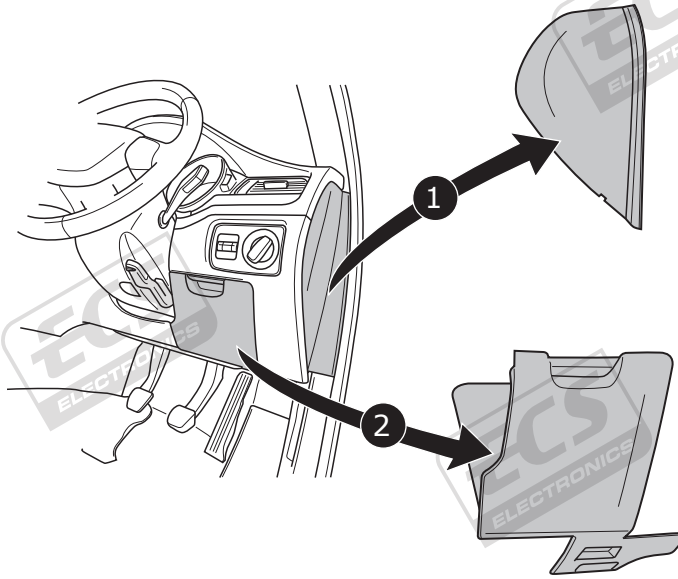
Octavia Hatchback / Octavia Combi & Scout

6



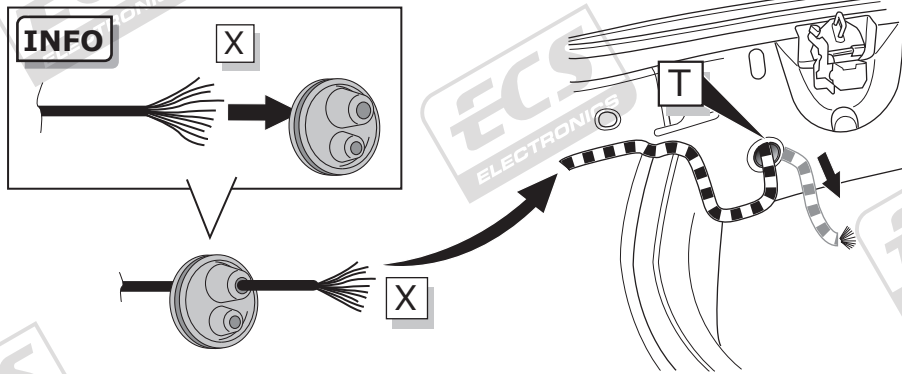
SuperB / SuperB Combi

7



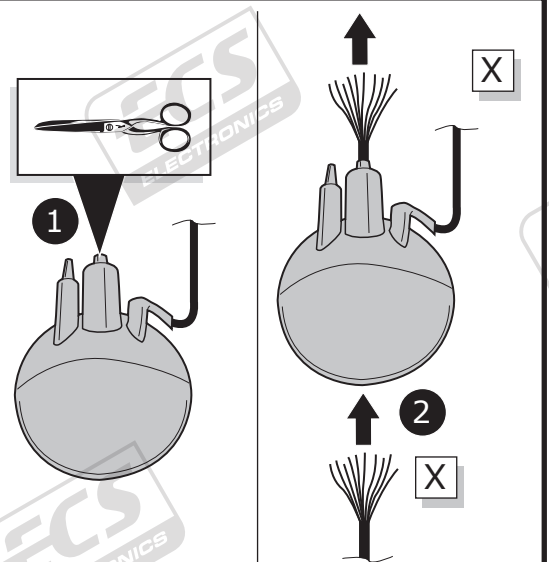
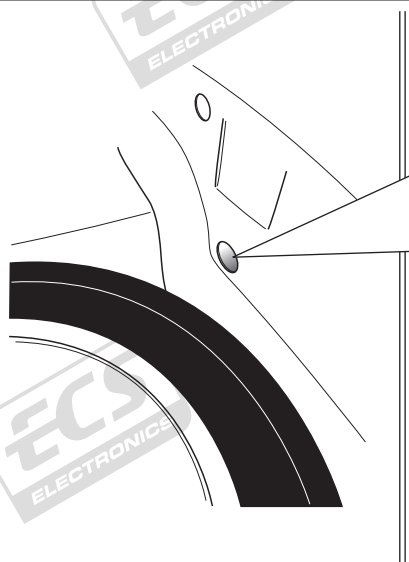
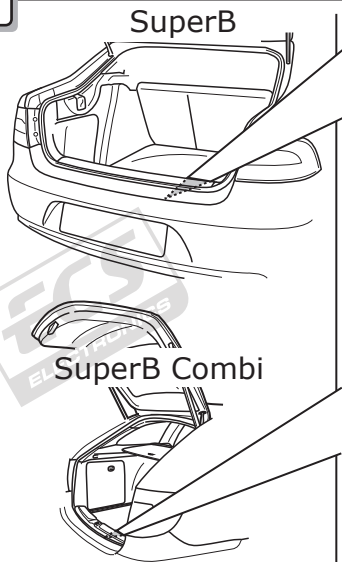
Octavia Hatchback / Octavia Combi & Scout

8

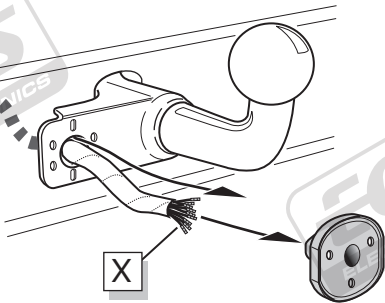


SuperB / SuperB Combi

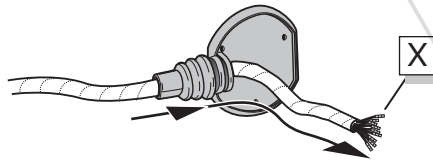
9



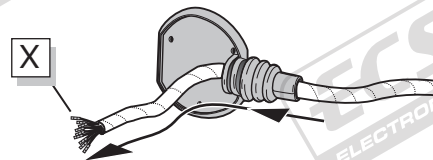
A Option 1



Option 2



Option 3



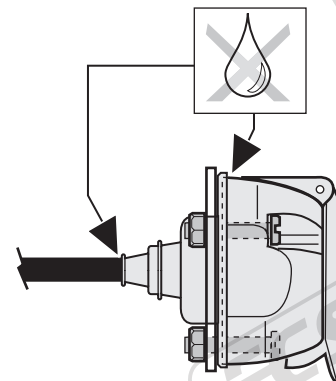
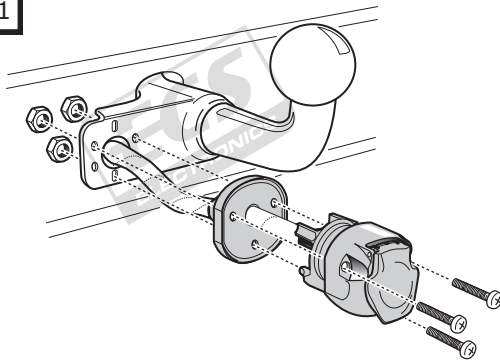
INFO

SOCKET CONNECTION

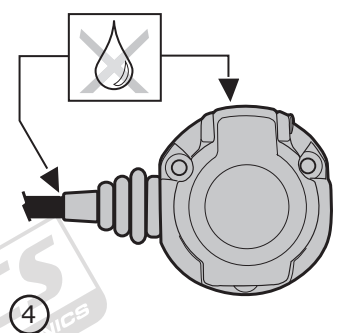
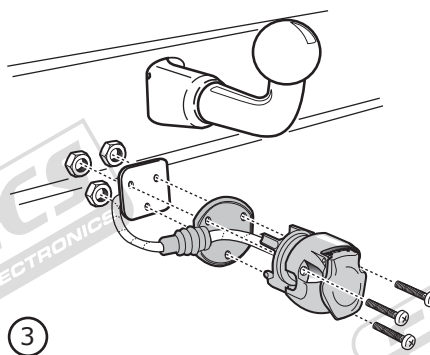
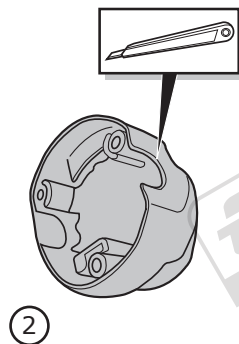
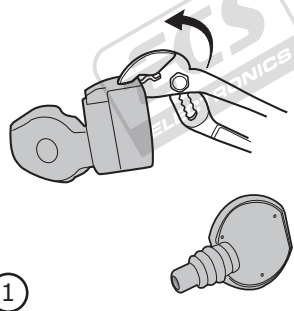


Pag. 16

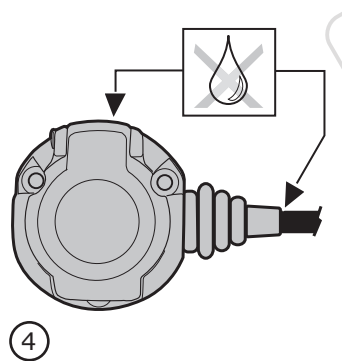
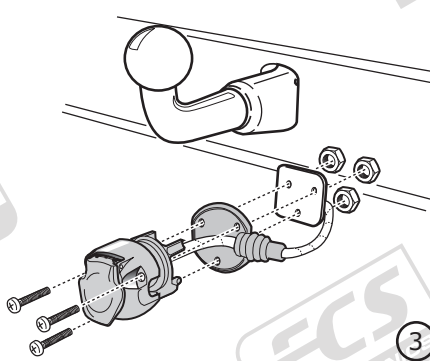
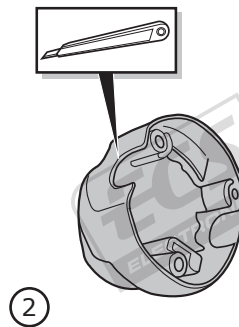
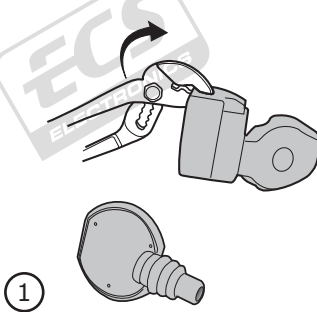
B Option 1



C Option 2

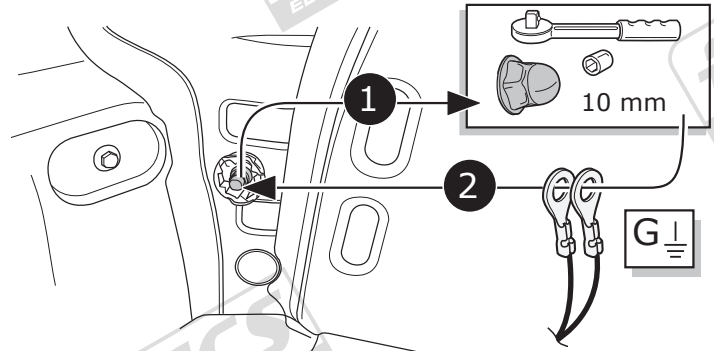
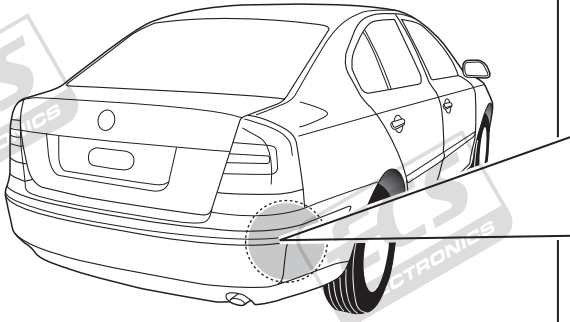


D Option 3



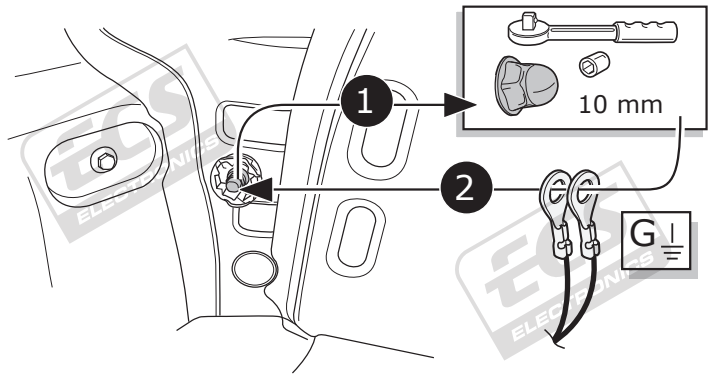
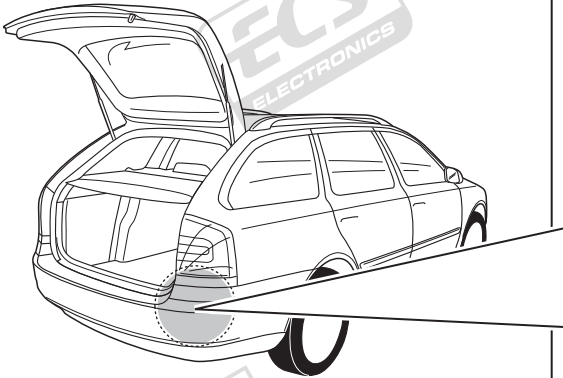
Octavia Hatchback

10



Octavia Combi & Scout

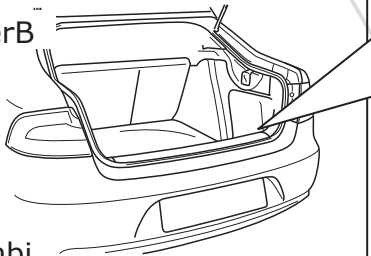
11



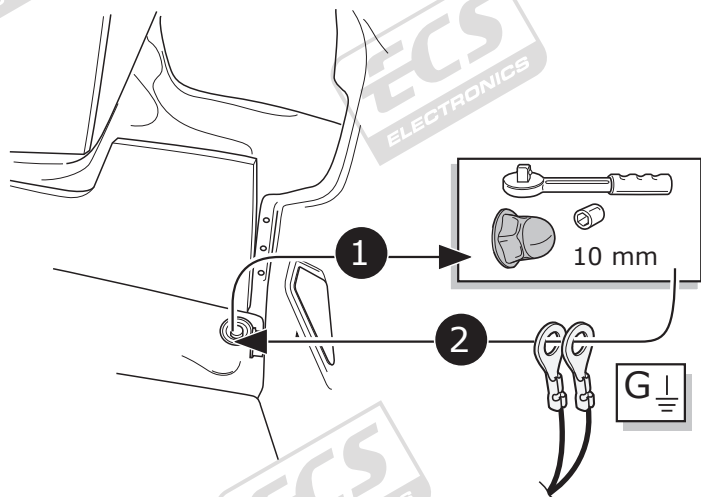
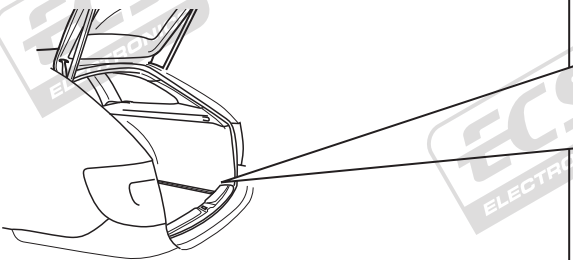
SuperB / SuperB Combi

12

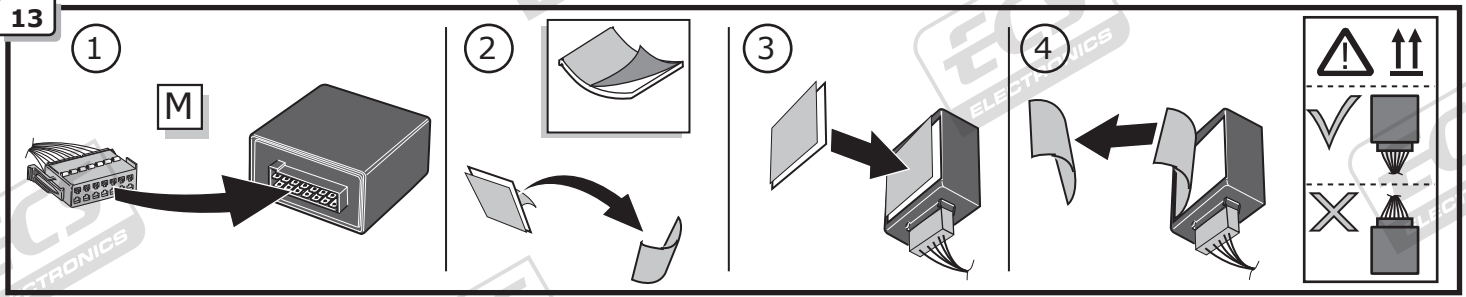
SuperB



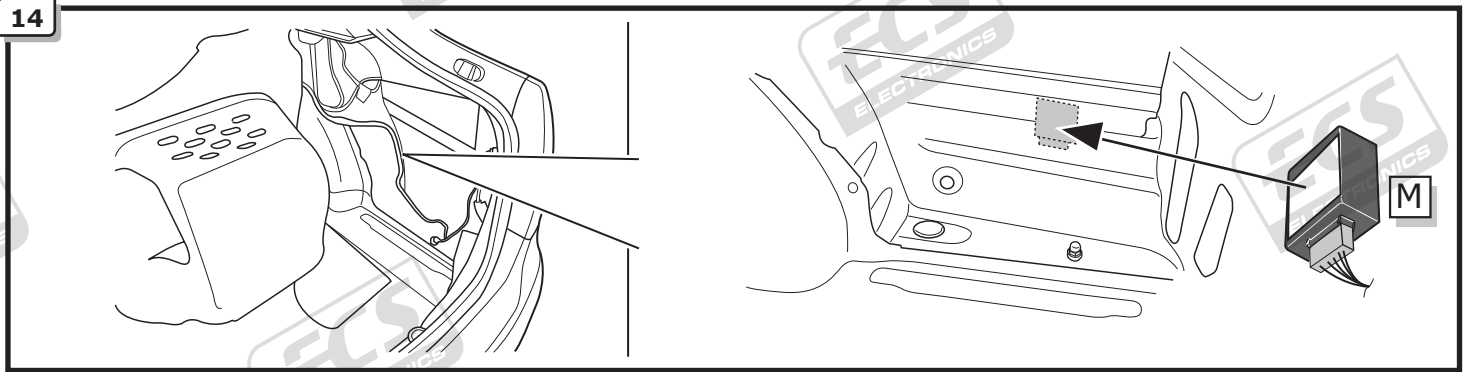
SuperB Combi



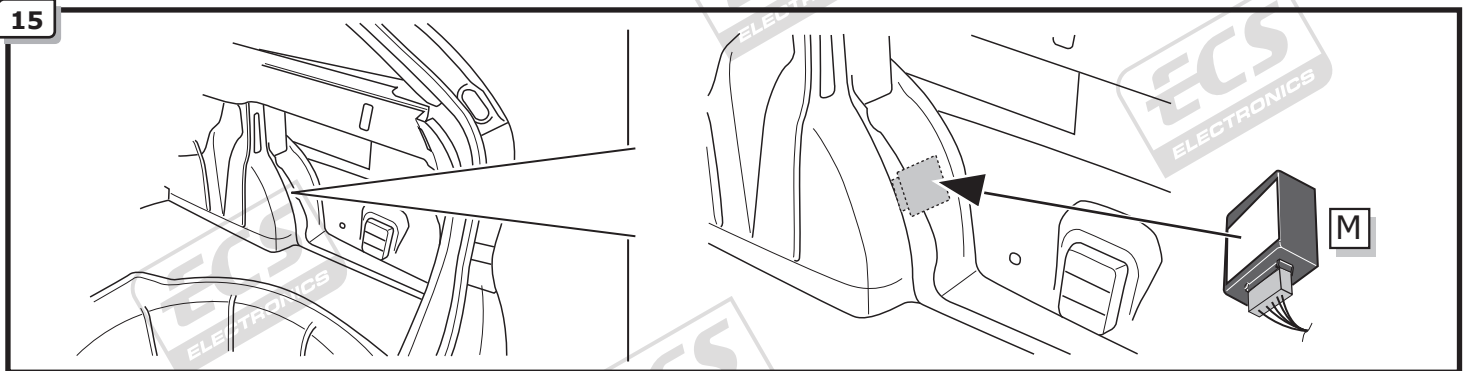
Octavia Hatchback / Octavia Combi & Scout / SuperB / SuperB Combi



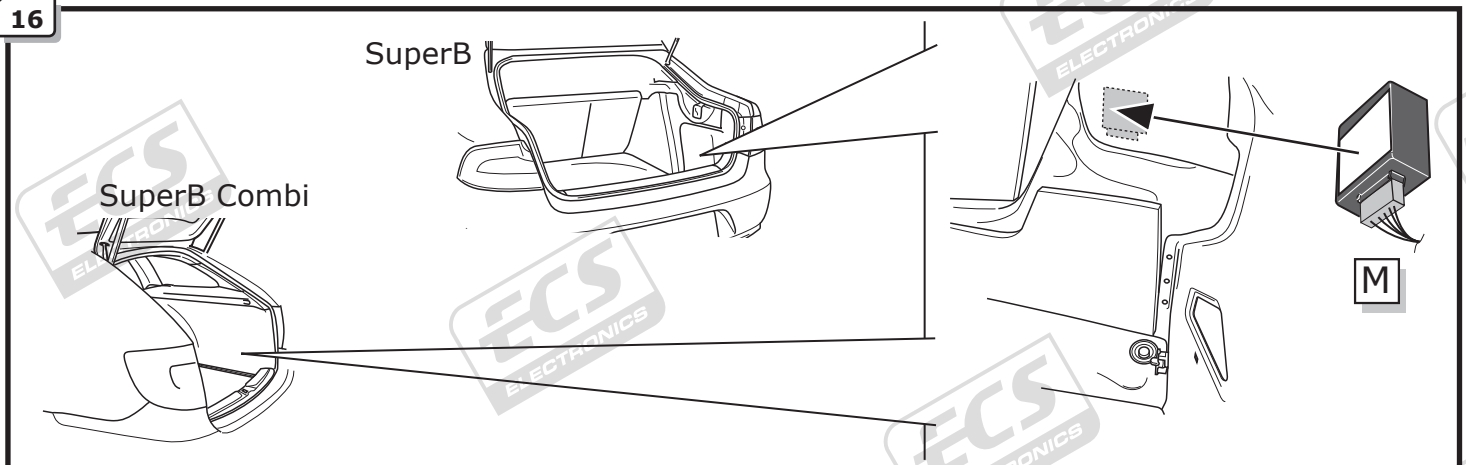
Octavia Hatchback



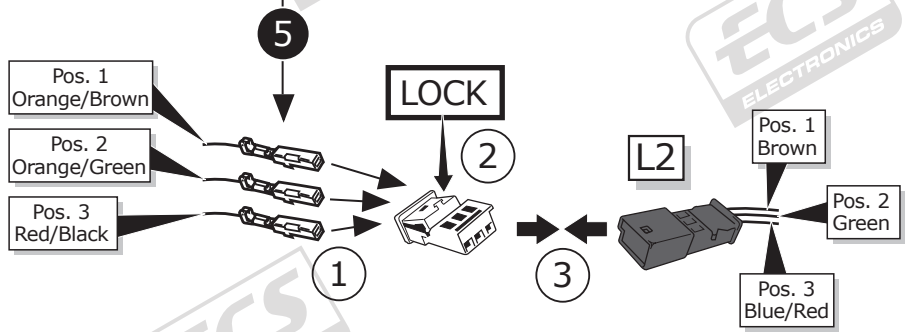
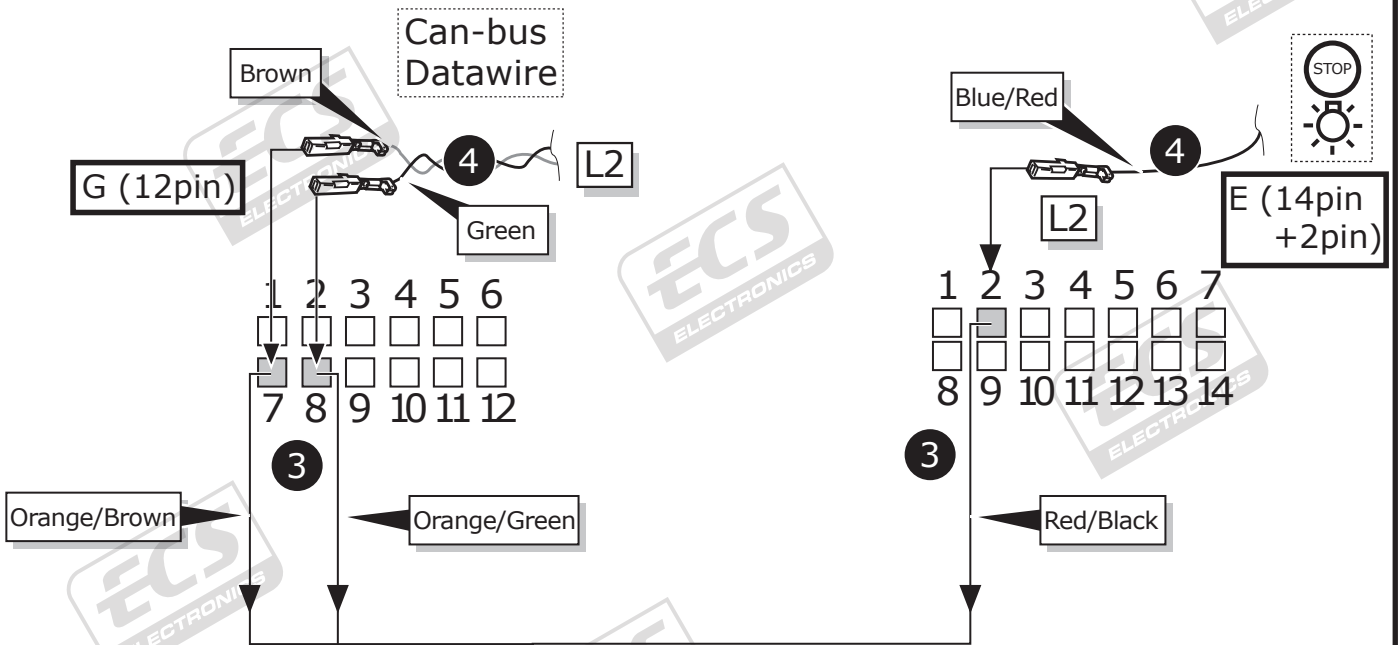
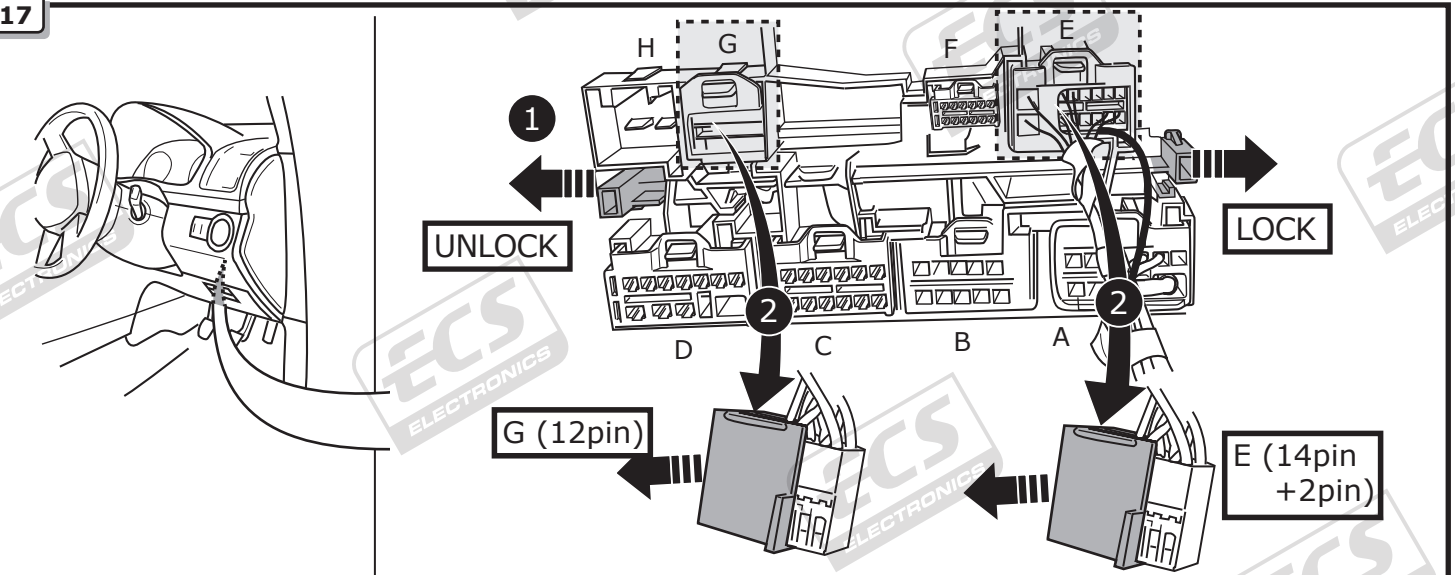
Octavia Combi & Scout



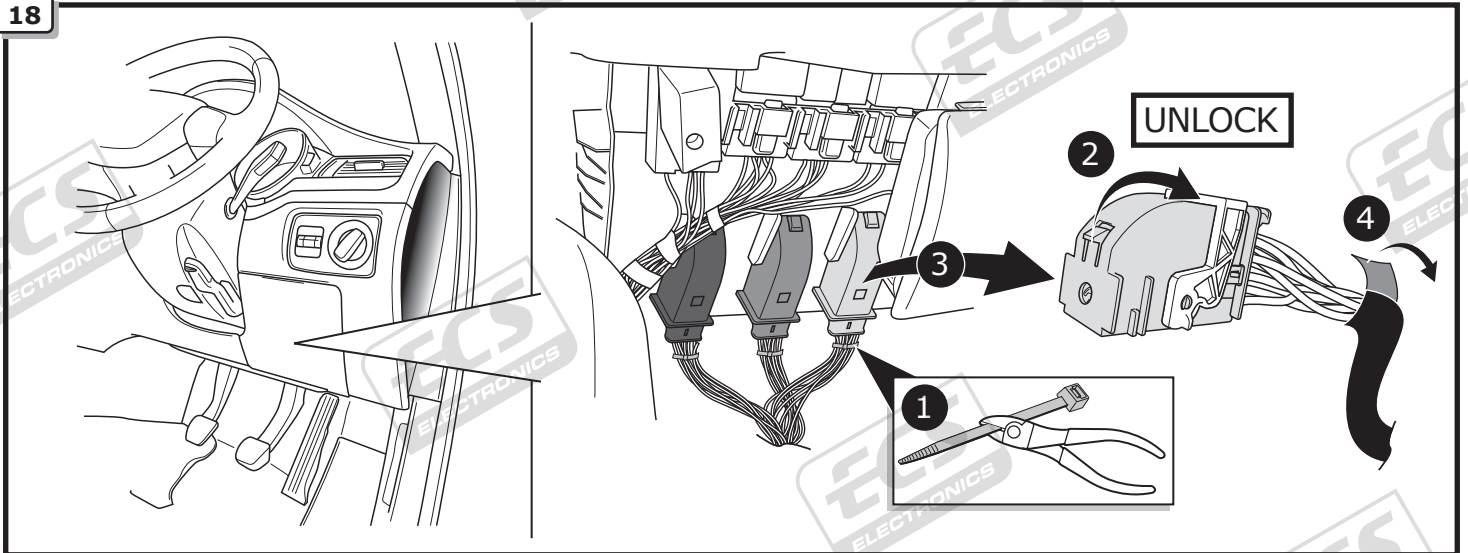
SuperB / SuperB Combi



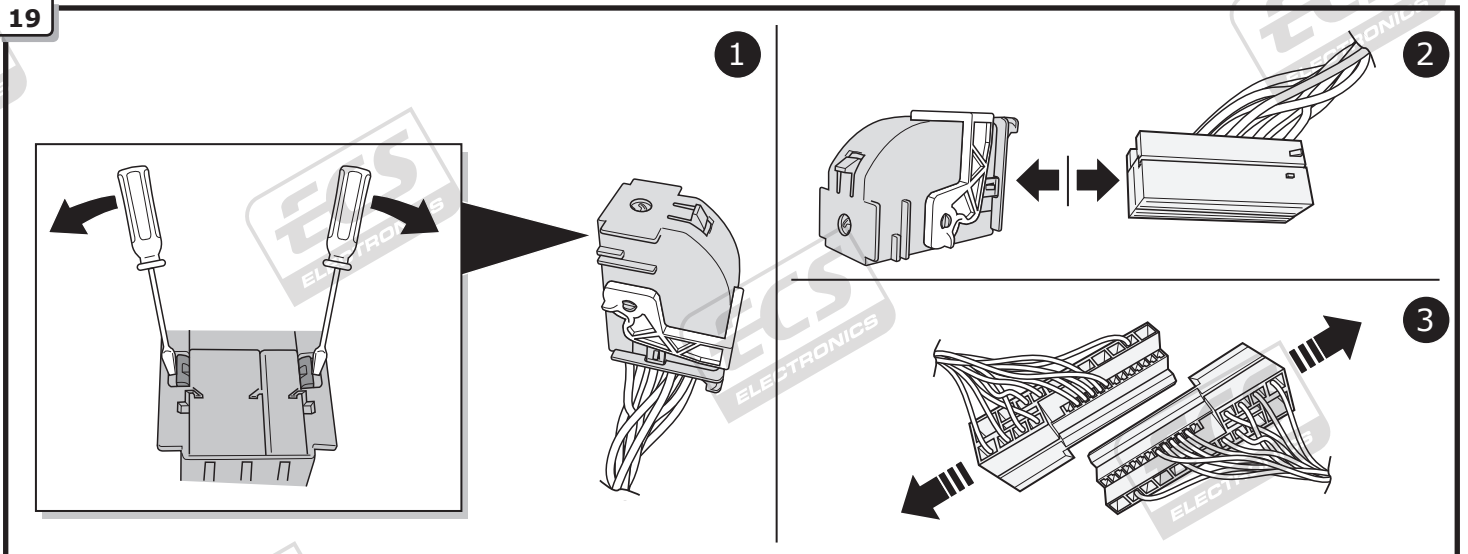
17



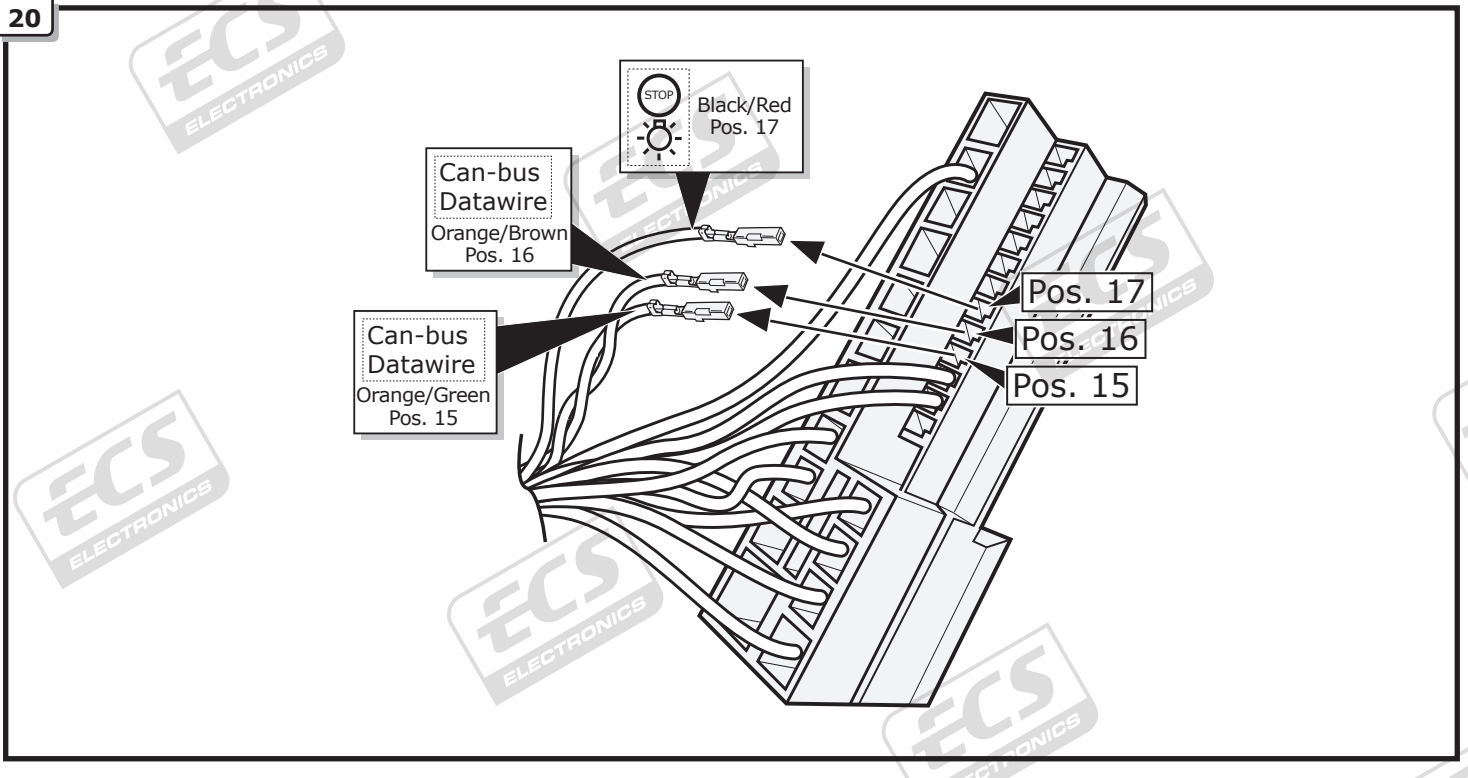
18



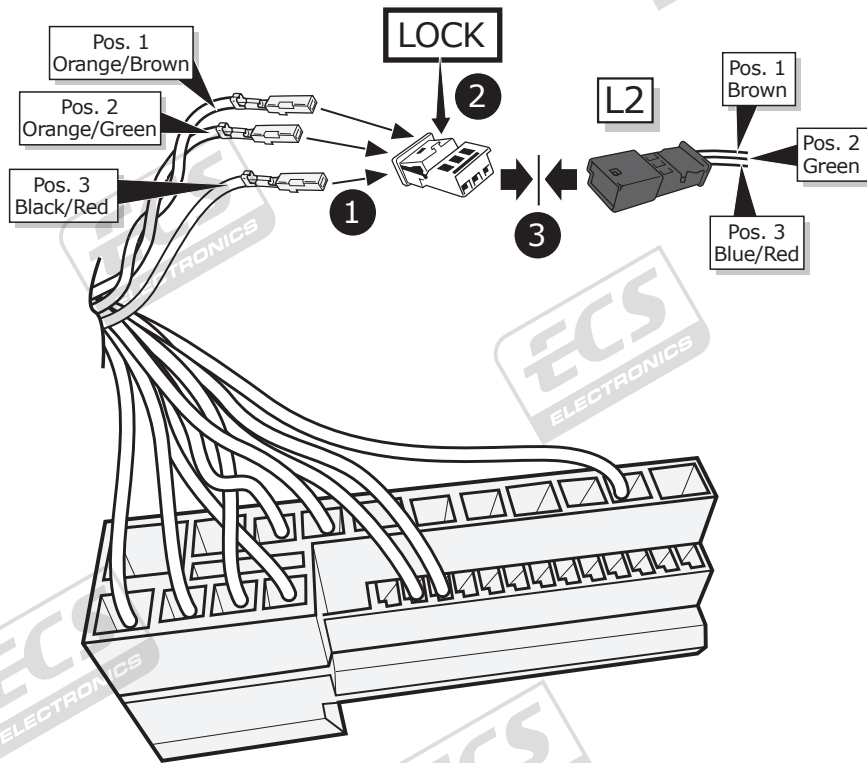
19



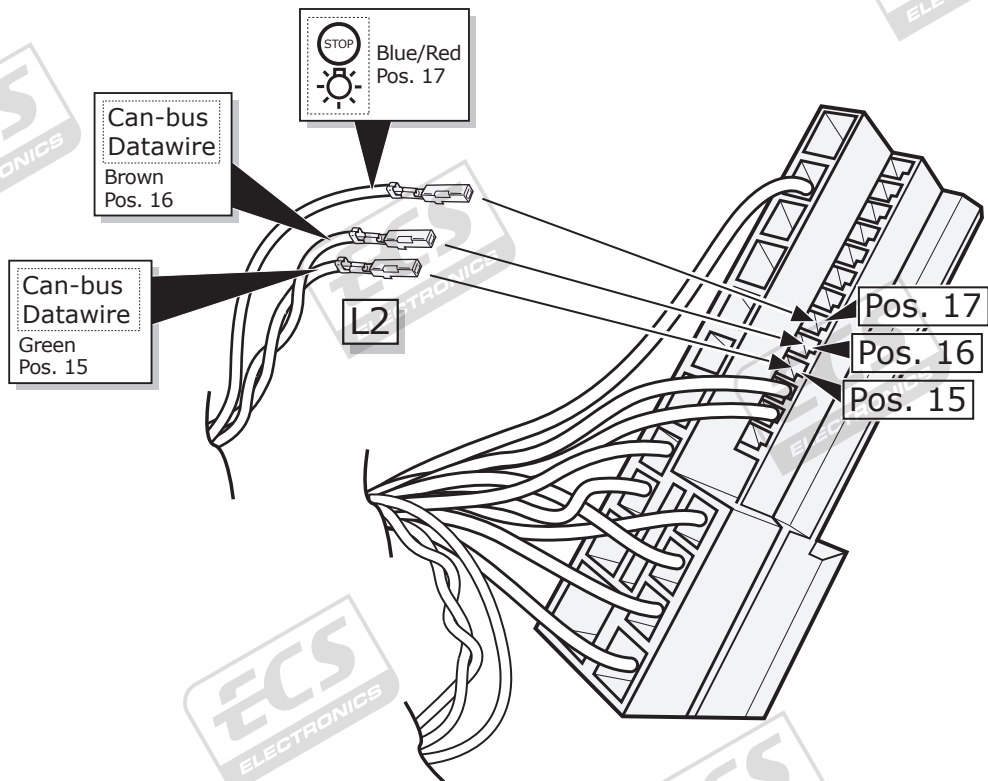
20



21

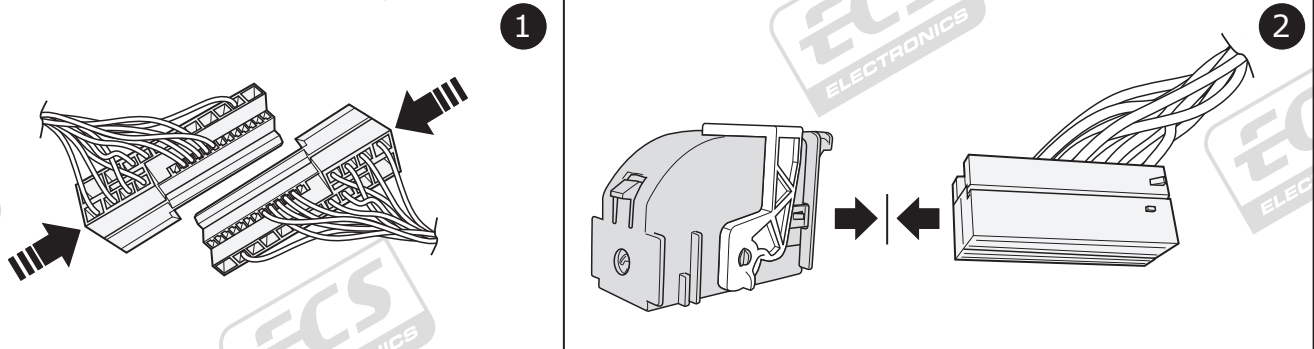


22

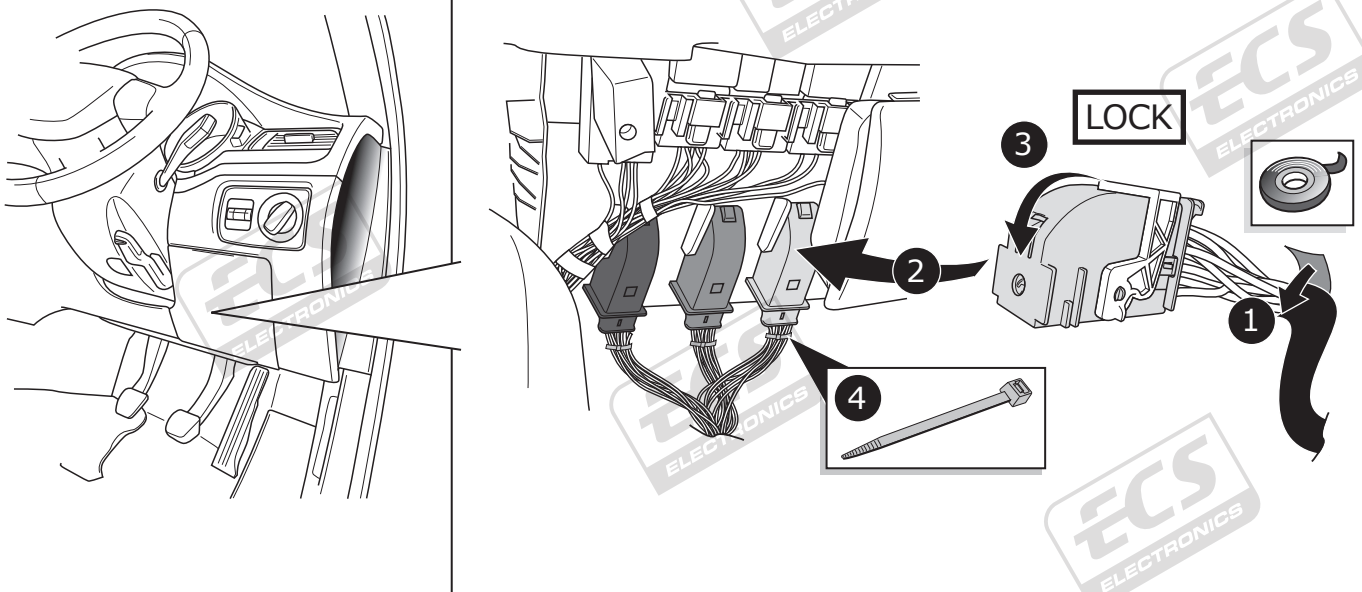


Octavia Hatchback & Combi & Scout 2009- / SuperB / SuperB Combi

23

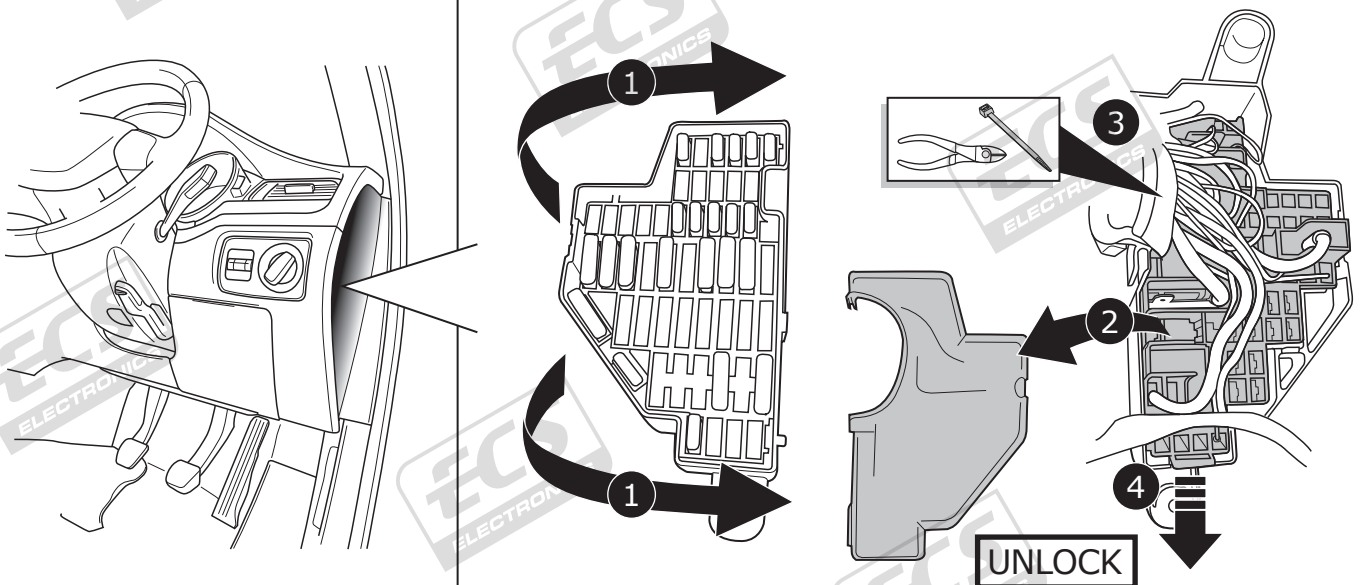


24

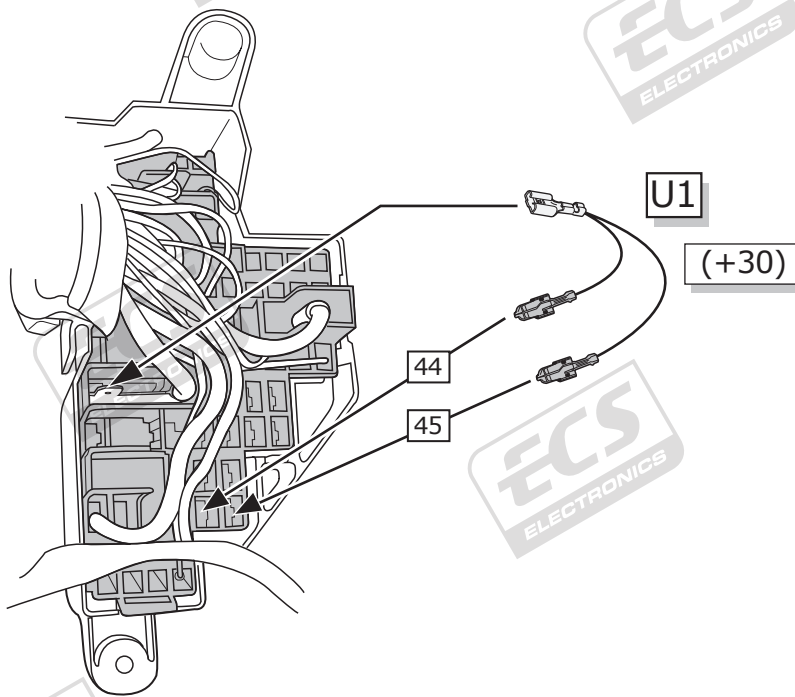


Octavia Hatchback / Octavia Combi & Scout / SuperB / SuperB Combi

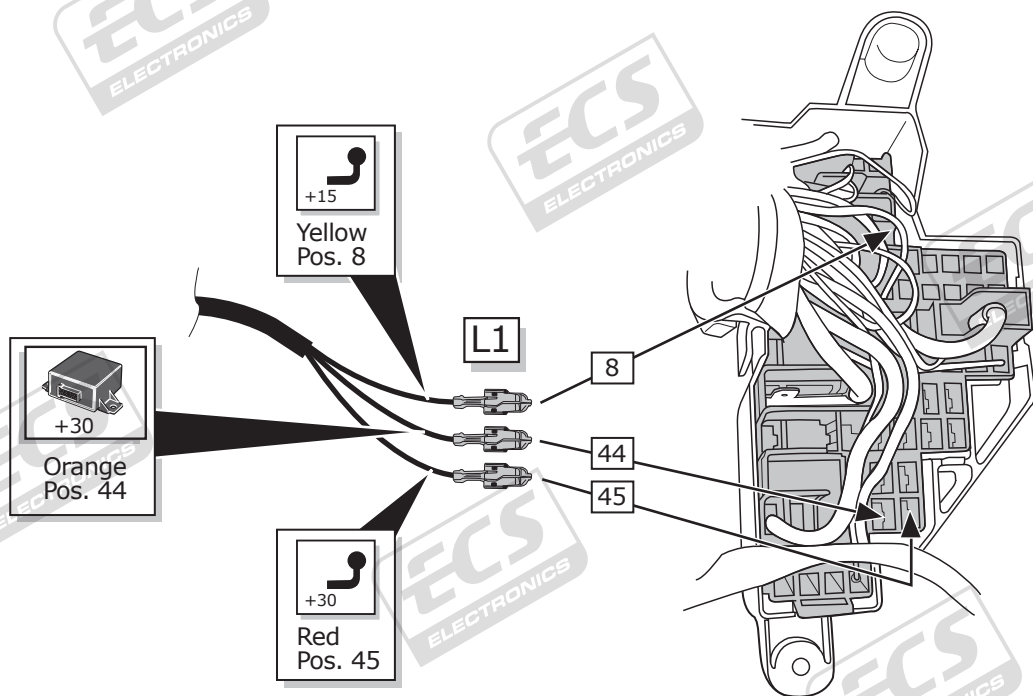
25



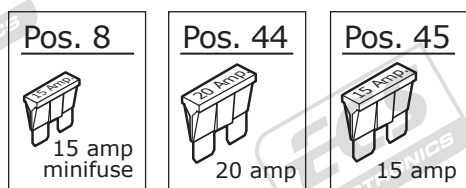
26



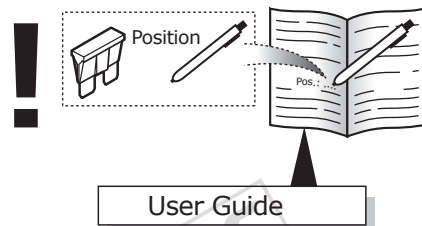
27



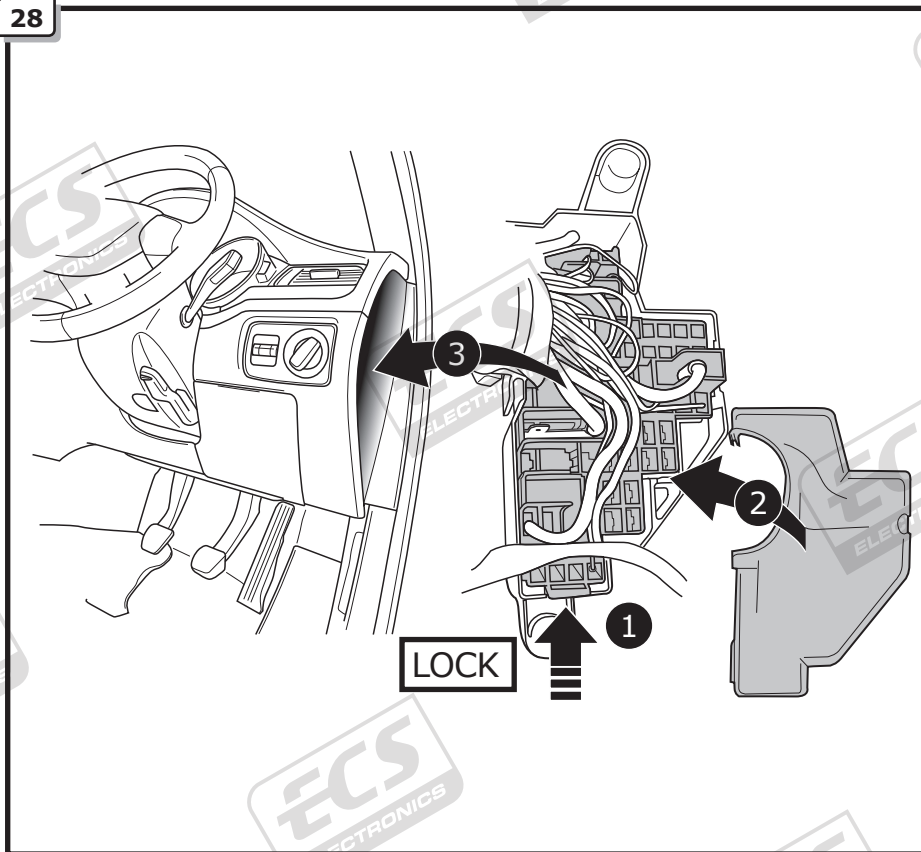
1



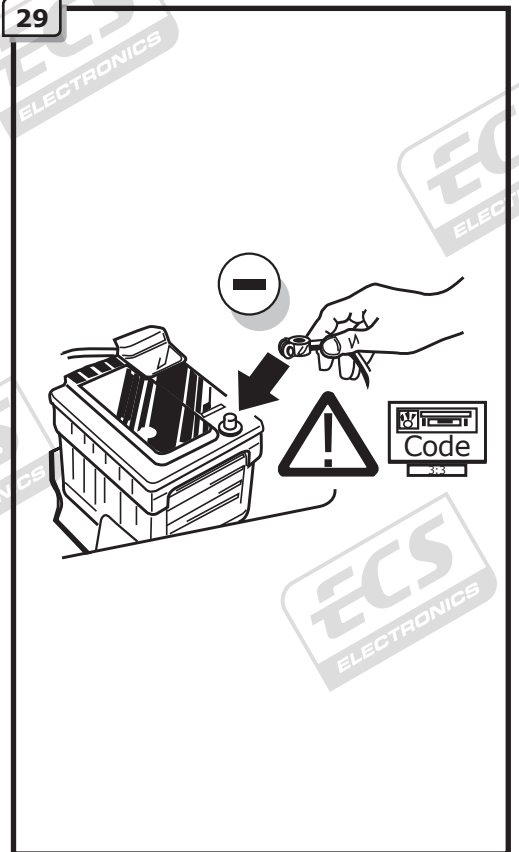
2



28



29



30

A VAG Service Tester must be used to code the vehicle's Gateway with the additional function for the towing hitch at the dealer.

31

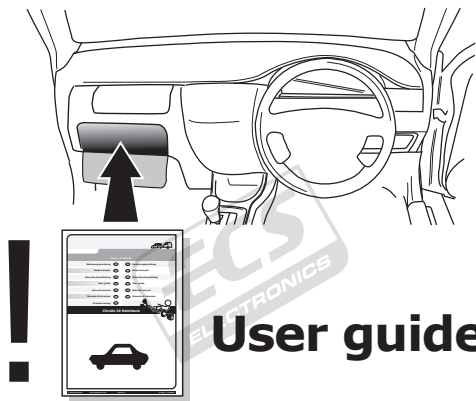


TEST ALL THE CIRCUITS WITH A TEST DEVICE WITH THE CORRECT POWER LOAD FOR EACH FUNCTION. A TEST DEVICE WITH LED'S CANNOT BE USED FOR THIS PURPOSE.

INFO

REINSTALL TRIM.

21



User guide



INFO

SOCKET CONNECTION

DIN/ISO 11446																				
	1/L	2	3/31		4/R		5/58-R	6/54		7/58-L	8		9		10		11	12		13
Pmax	21W	21W		21W	42W	3x21W	42W	21W	180W/15Amp	180W/15Amp										
Colour	Black/White	Blue	Brown	Black/Green	Grey/Red	Black/Red	Grey/Black	Black	Red	Yellow	Brown	Red/Blue	Brown							