

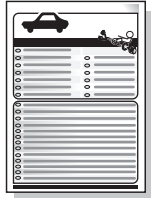
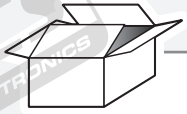
Seat Alhambra 2011- Volkswagen Sharan 2011-

Partnr.: SE-037-D1U

- Fitting instructions electric wiring kit tow bar with 13-P socket up to DIN/ISO Norm 11446.
- We would expressly point out that assembly not carried out properly by a competent installer will result in cancellation of any right to damage compensation, in particular those arising by virtue of the product liability act.
- Contents of these kits and their fitting manuals are subject to alteration without notice, please ensure that these instructions are read and fully understood before commencing installation.
- Do not overload circuits; the maximum loads per connection are detailed in this manual.
- Attention! Before Installation, please read this manual carefully and inform your customer to consult the vehicle owners manual to check for any vehicle modifications required before towing.
- In the event of functional problems, troubleshooting must be limited to about 0.5 hours, contact the technical support:
t.skinner@ecs-electronics.com / 07440 202 052.



Part list



L2



L1



L3



OPTION PDC *

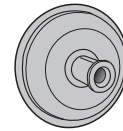


M

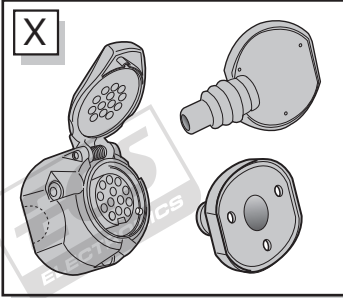


G

X



T

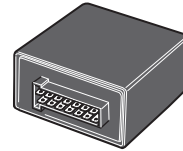


Option P.D.C. *

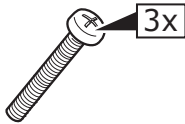
PARK DISTANCE CONTROL

PARK DISTANCE CONTROL

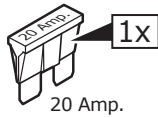
For not OEM P.D.C. System
Order ECS kit: VW-083-ZZ



M



3x



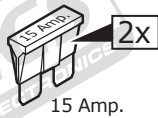
20 Amp.



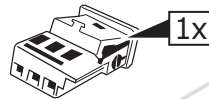
1x



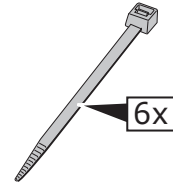
3x



15 Amp.

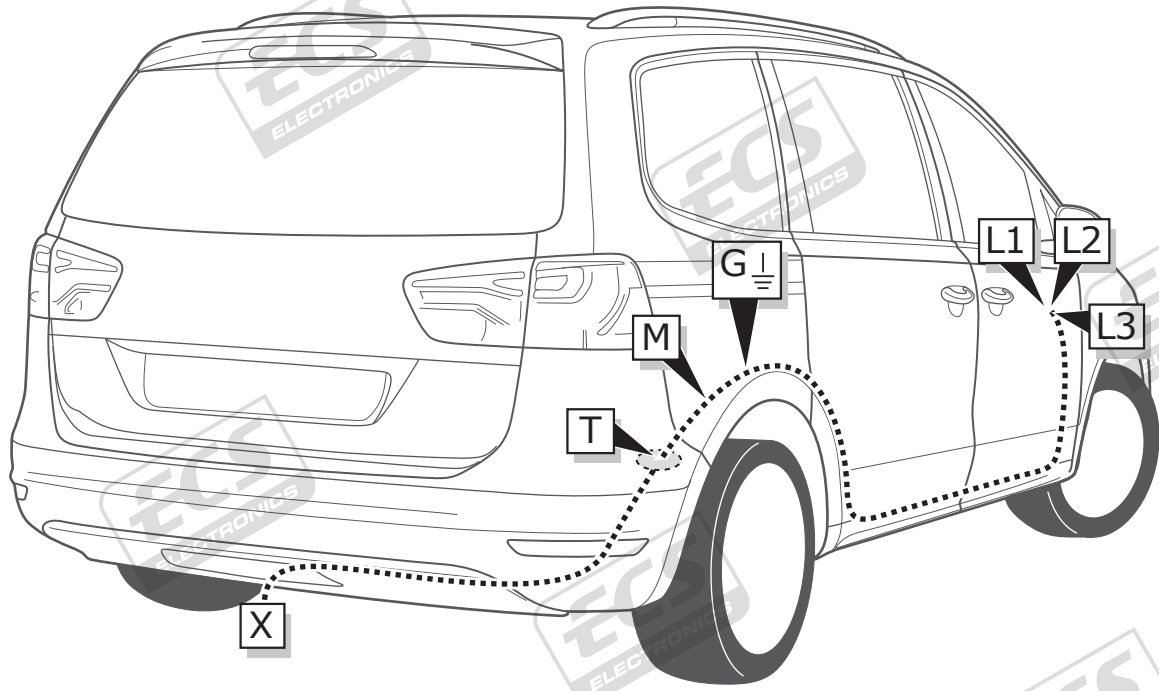


1x

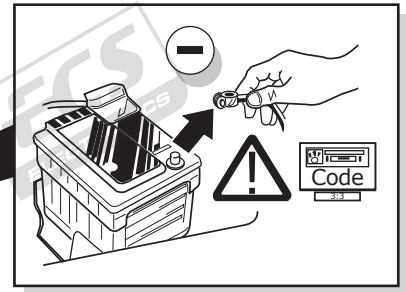
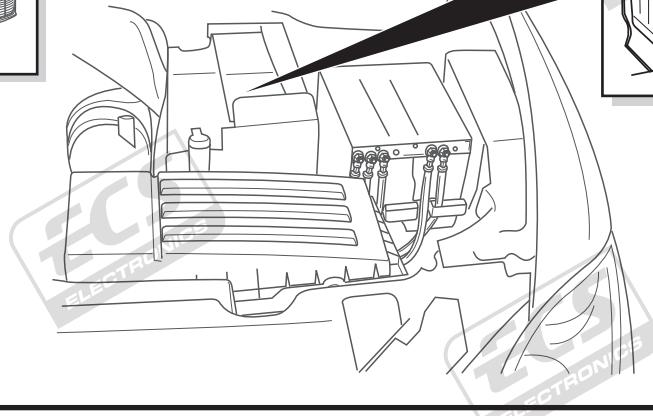
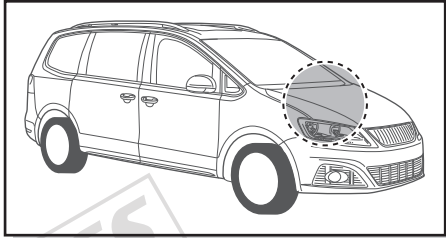


6x

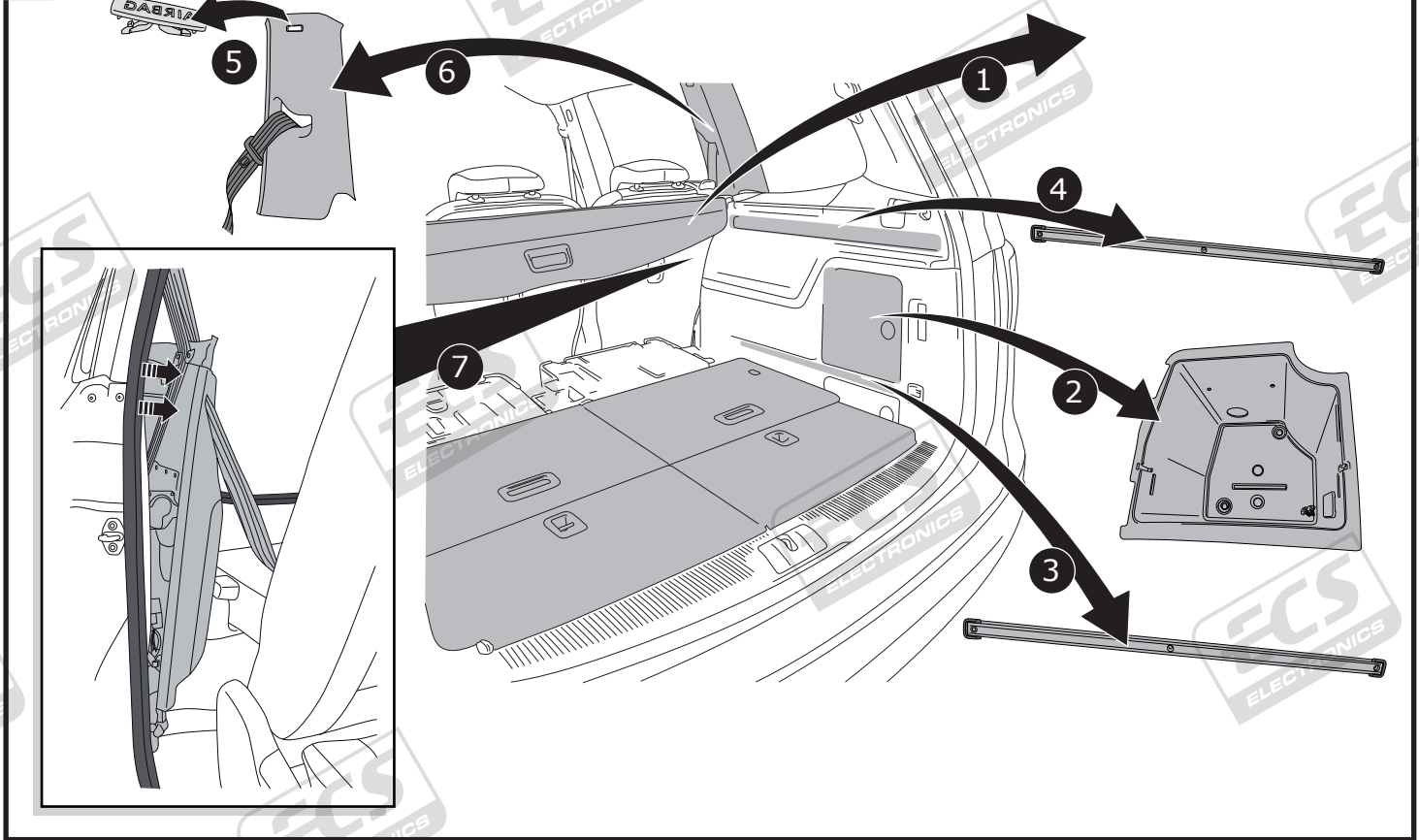
ROUTING



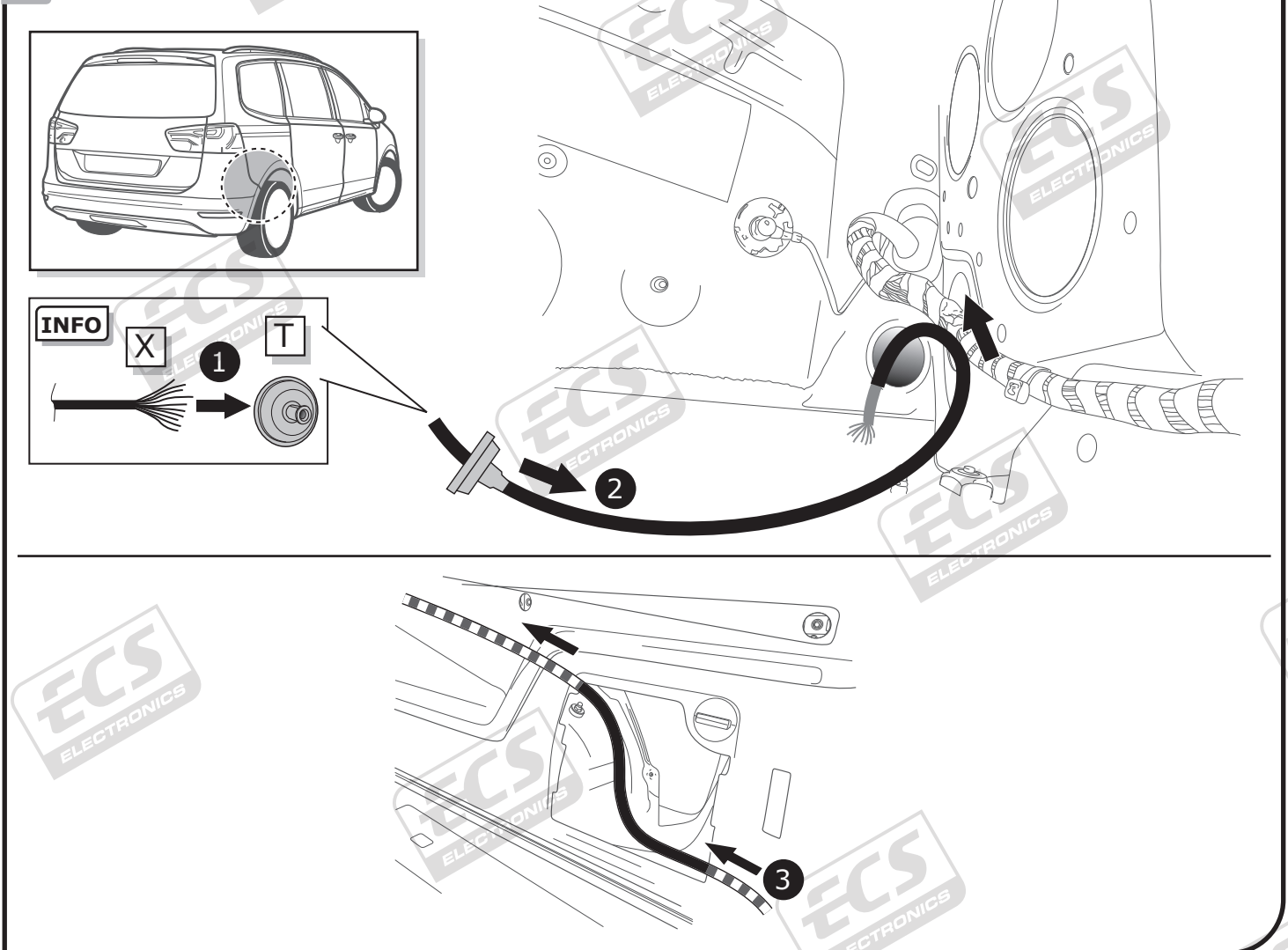
1

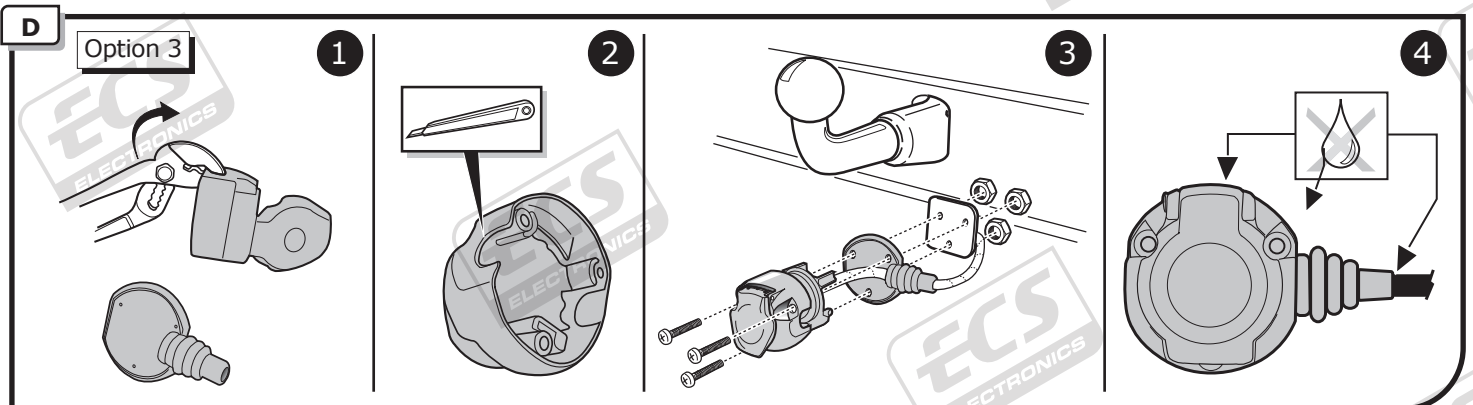
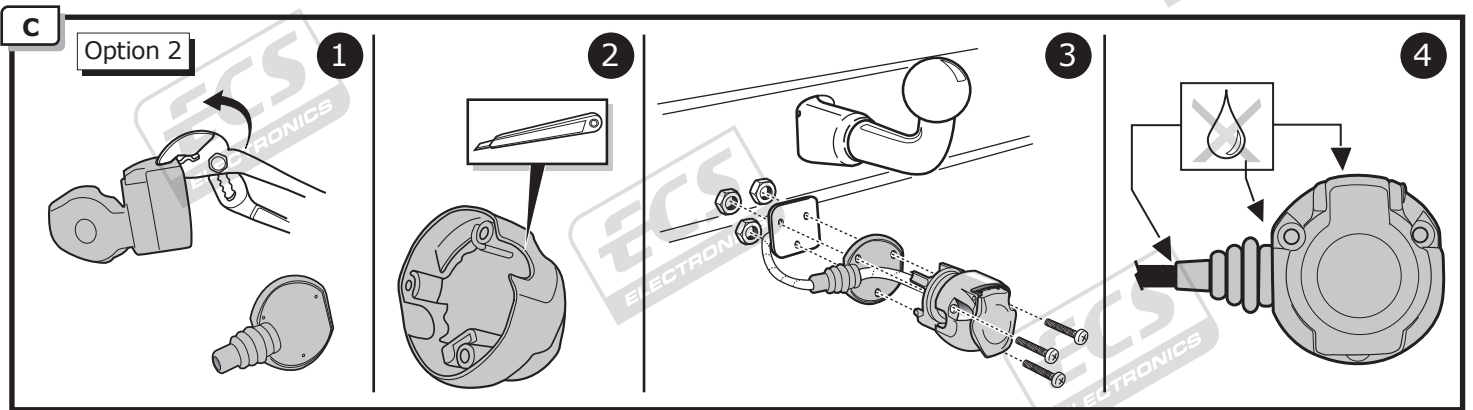
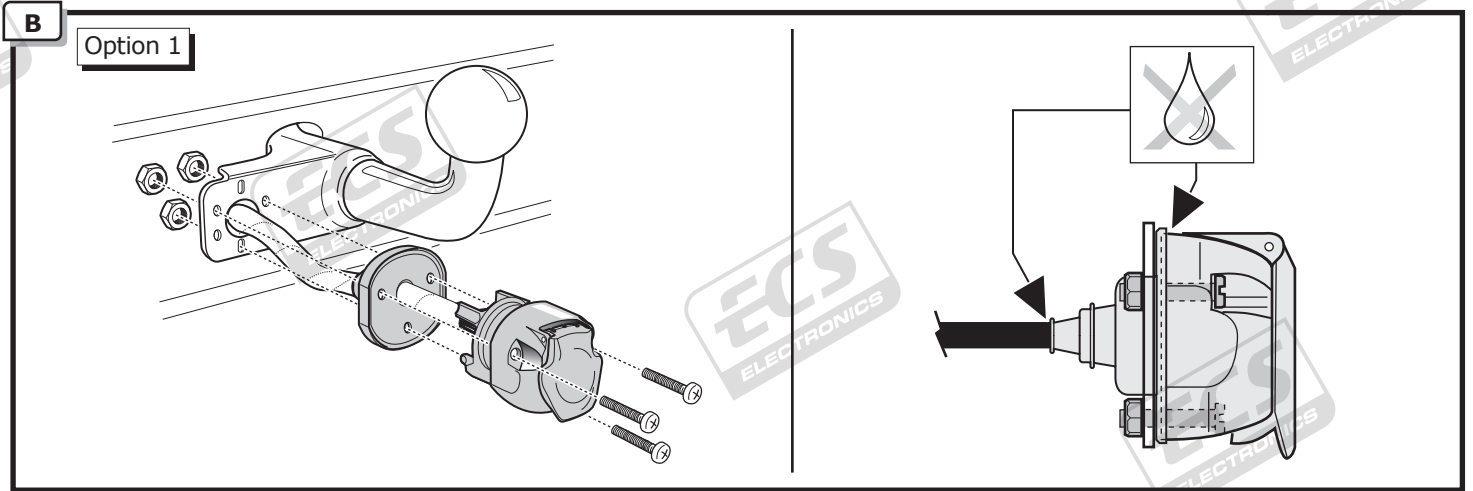
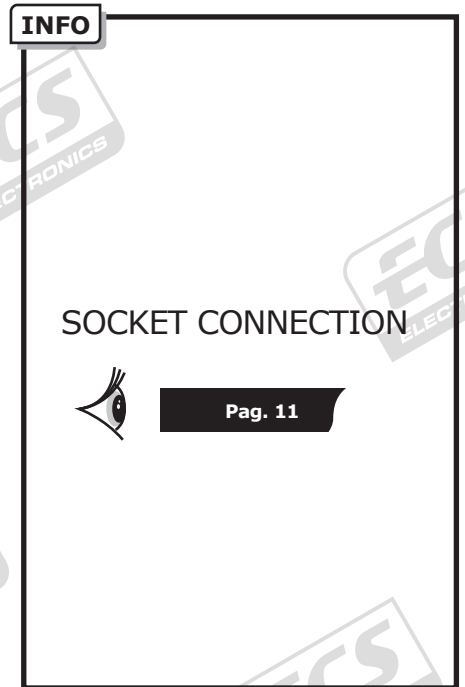
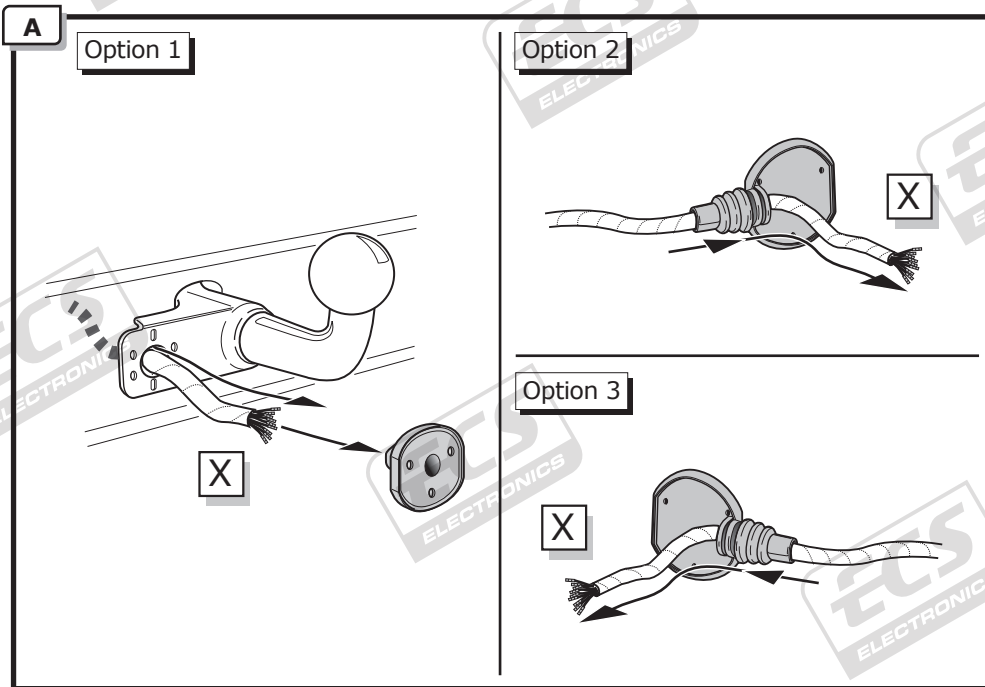


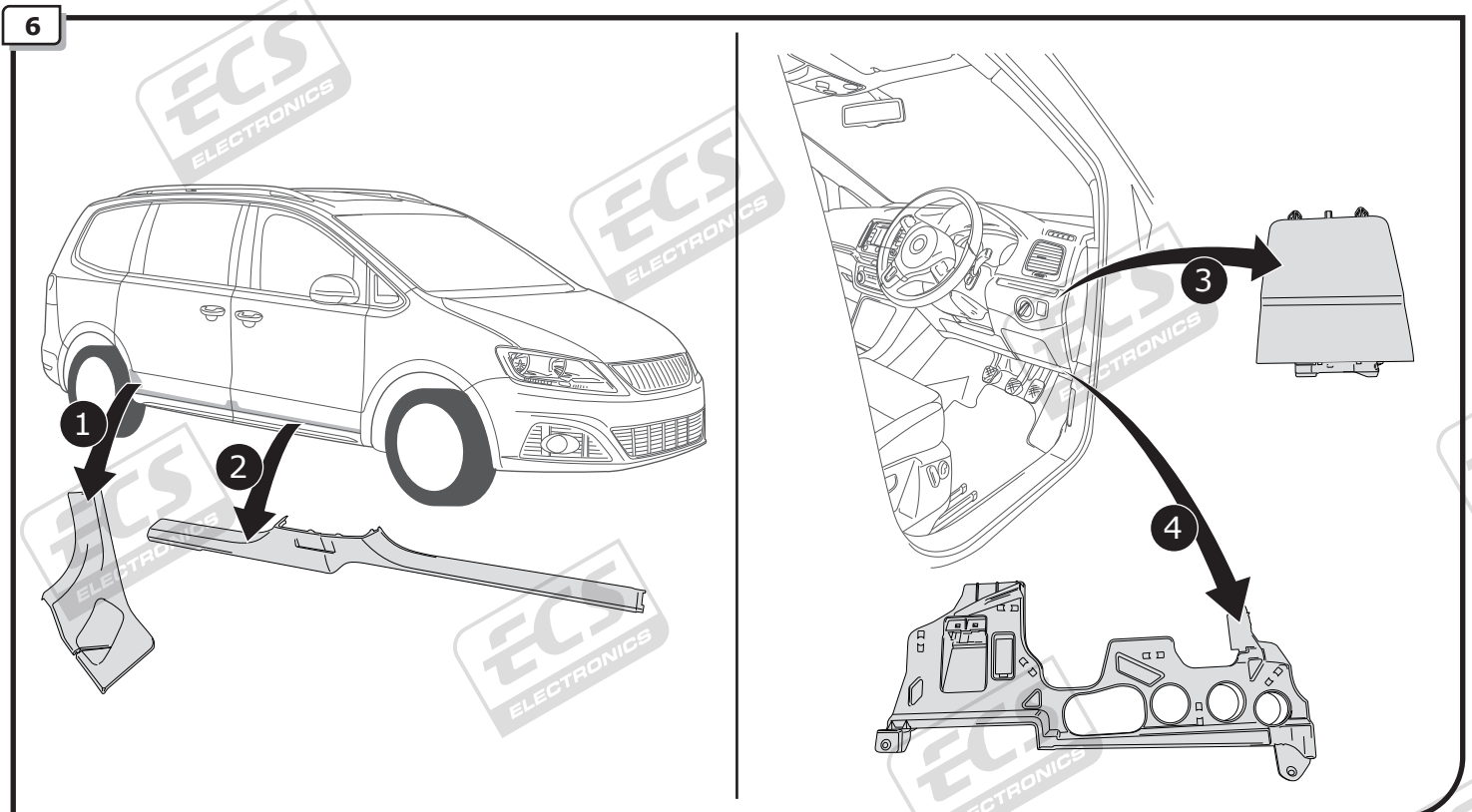
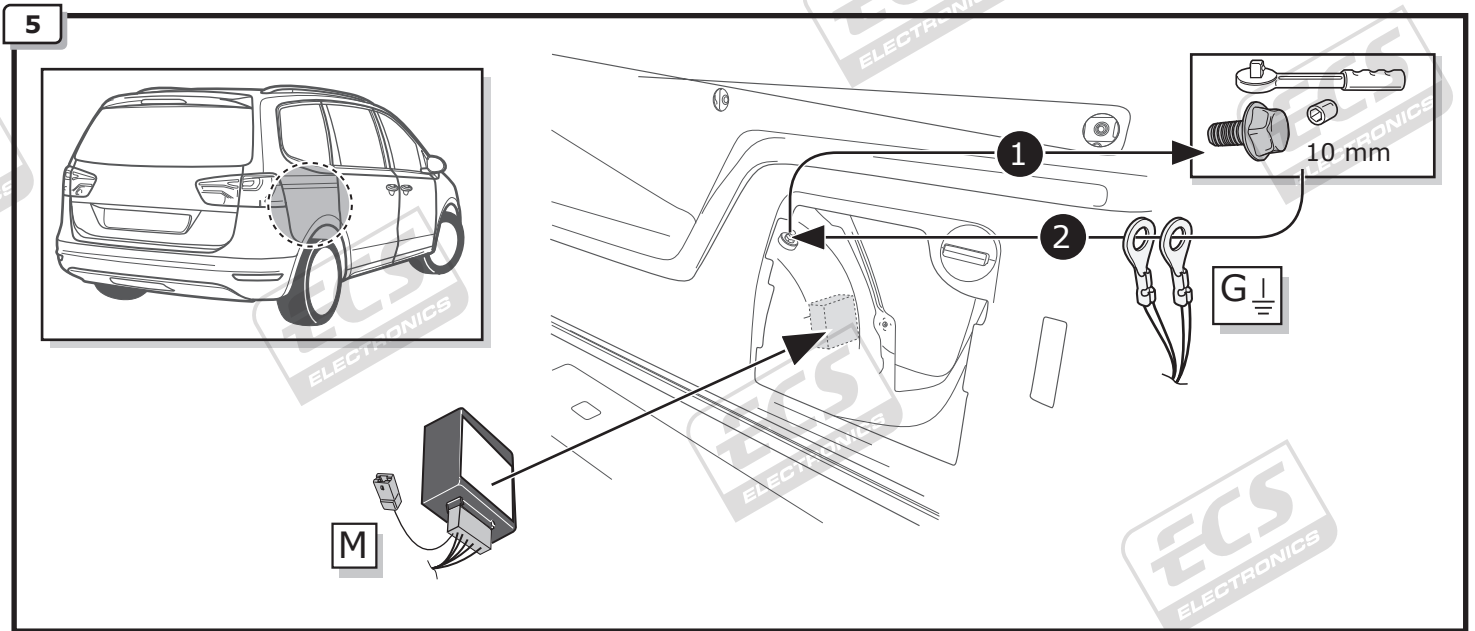
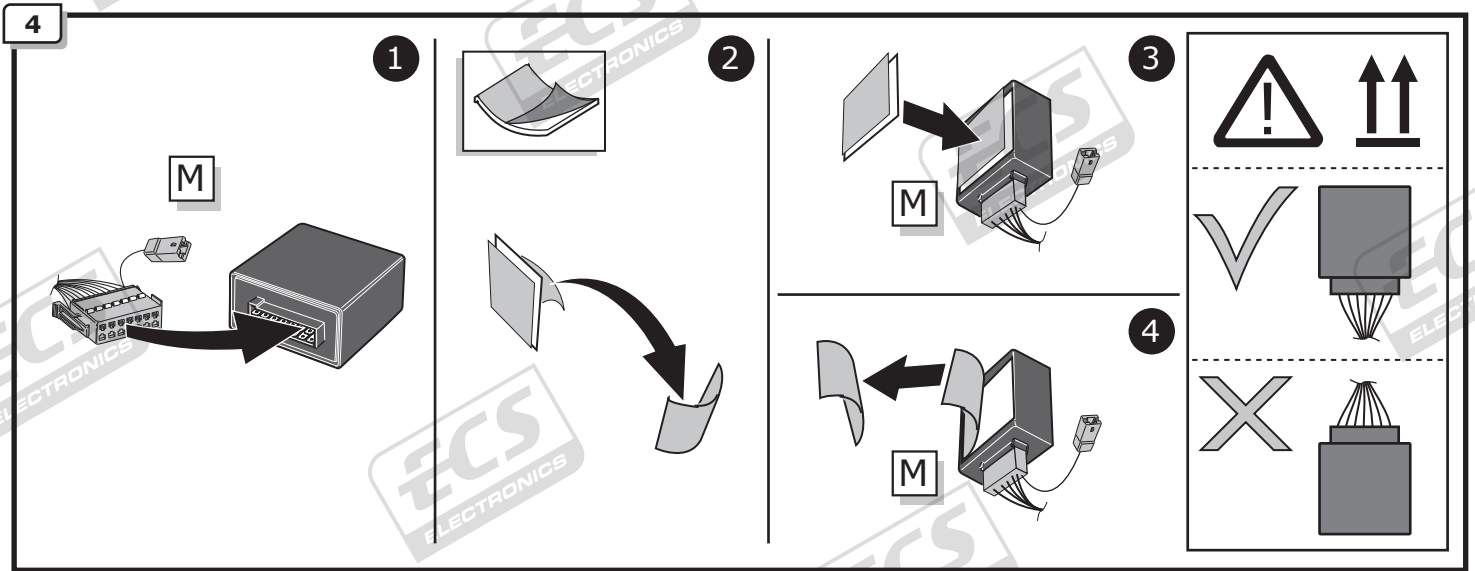
2



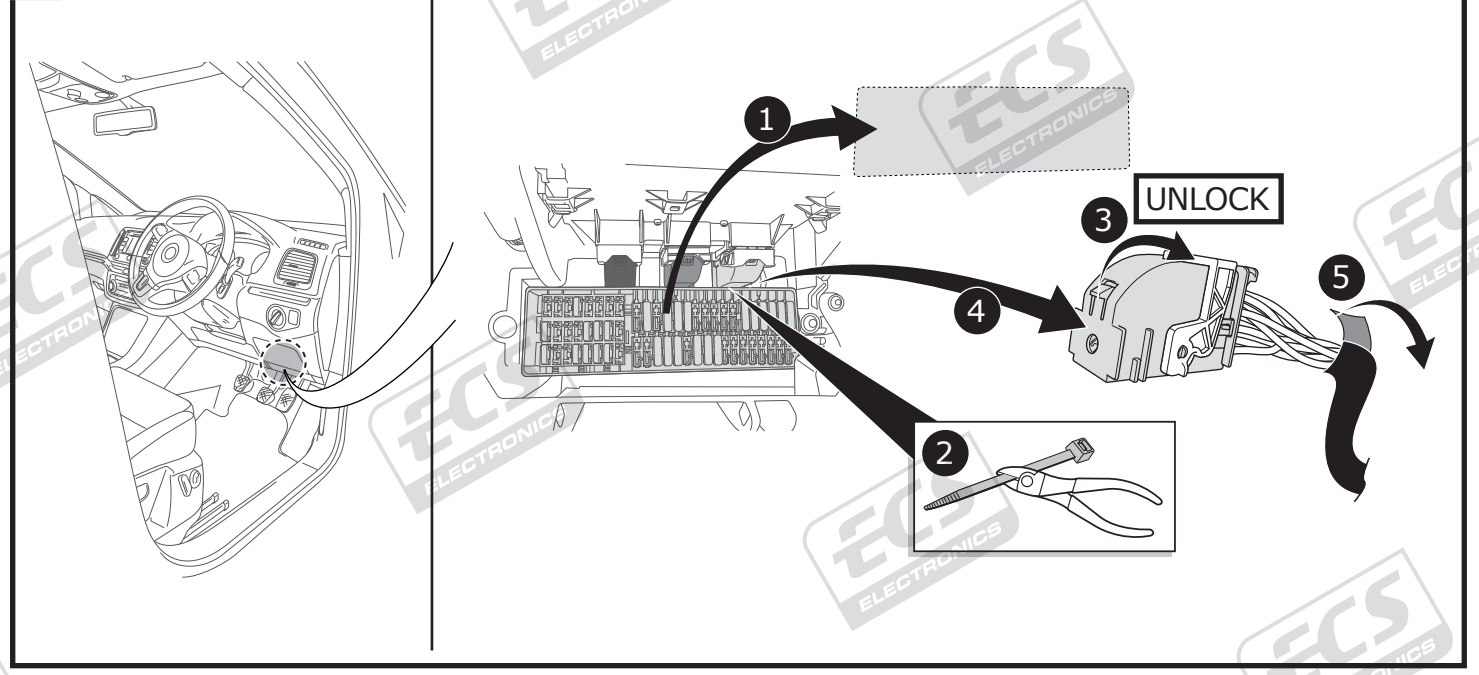
3



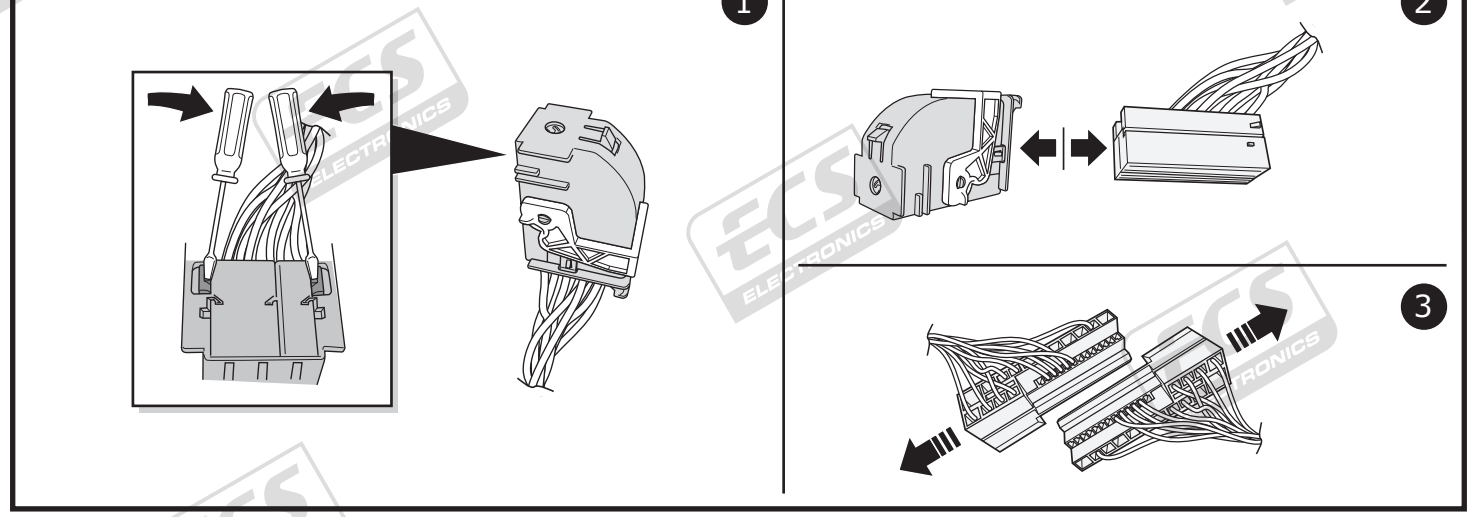




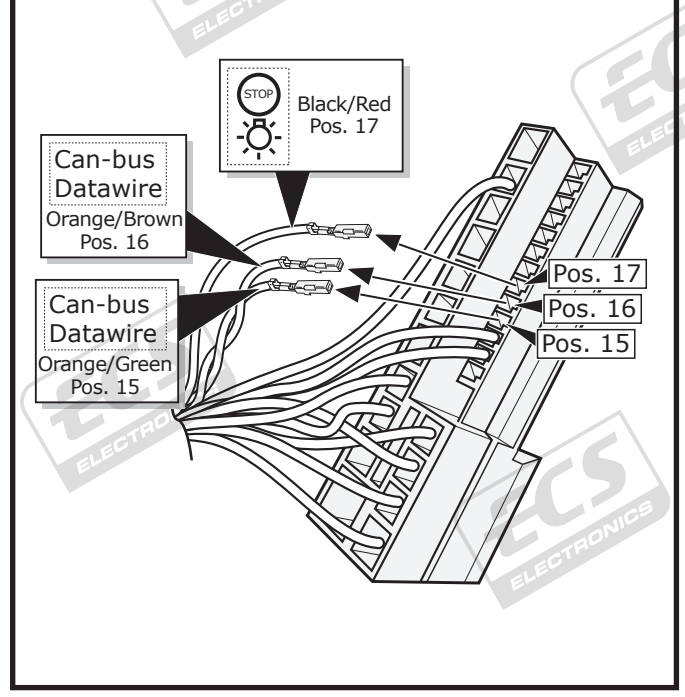
7



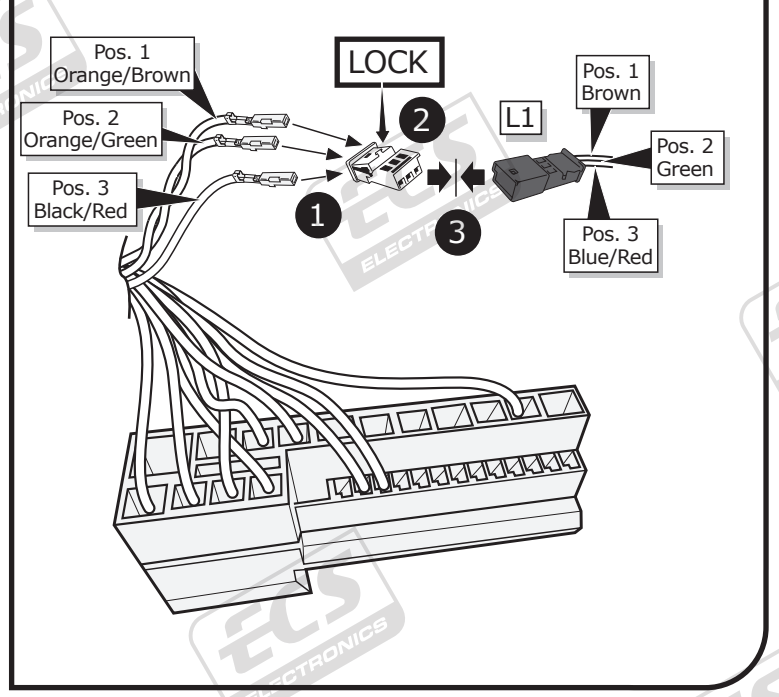
8



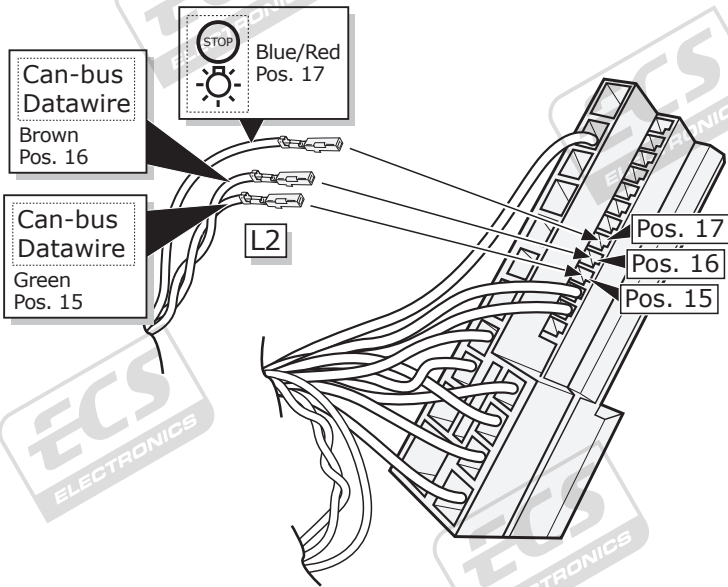
9



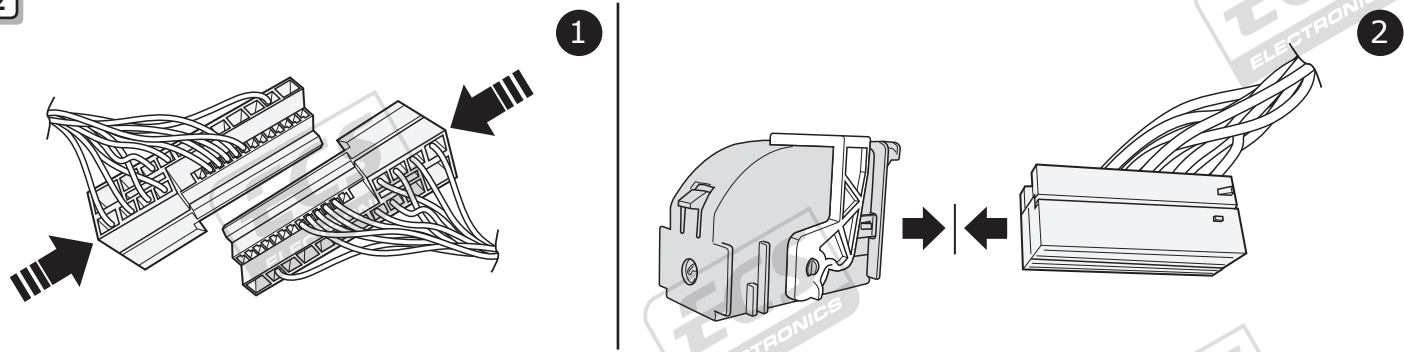
10



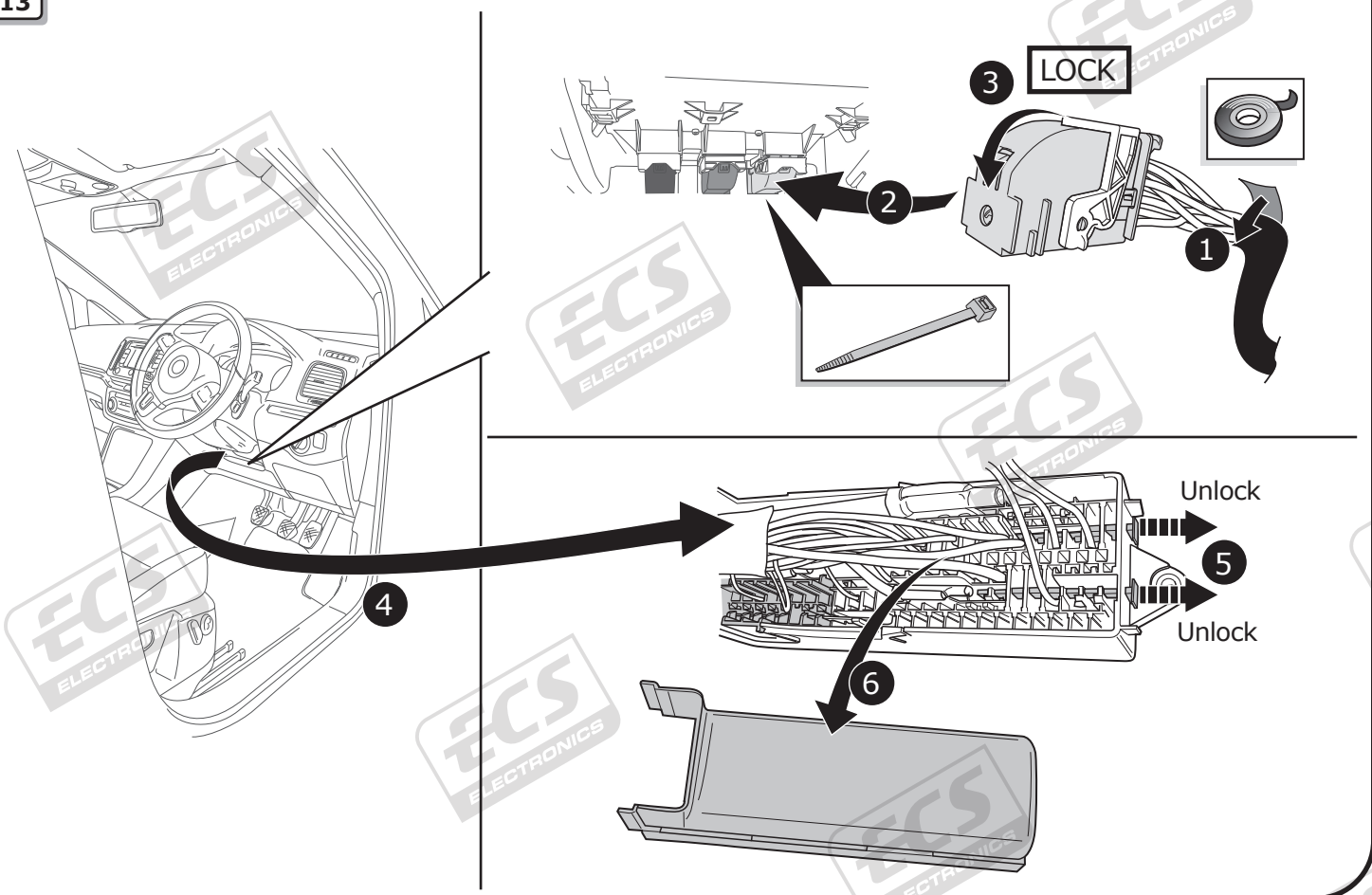
11

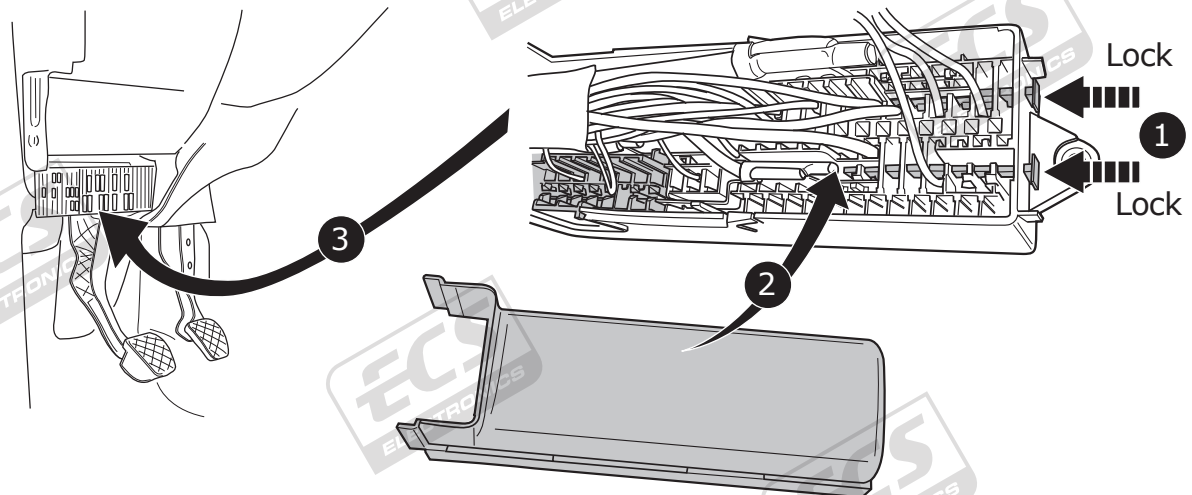
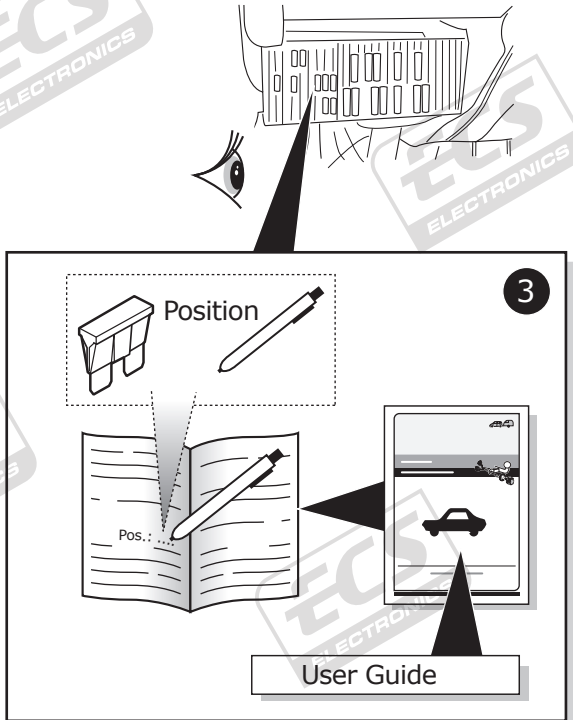
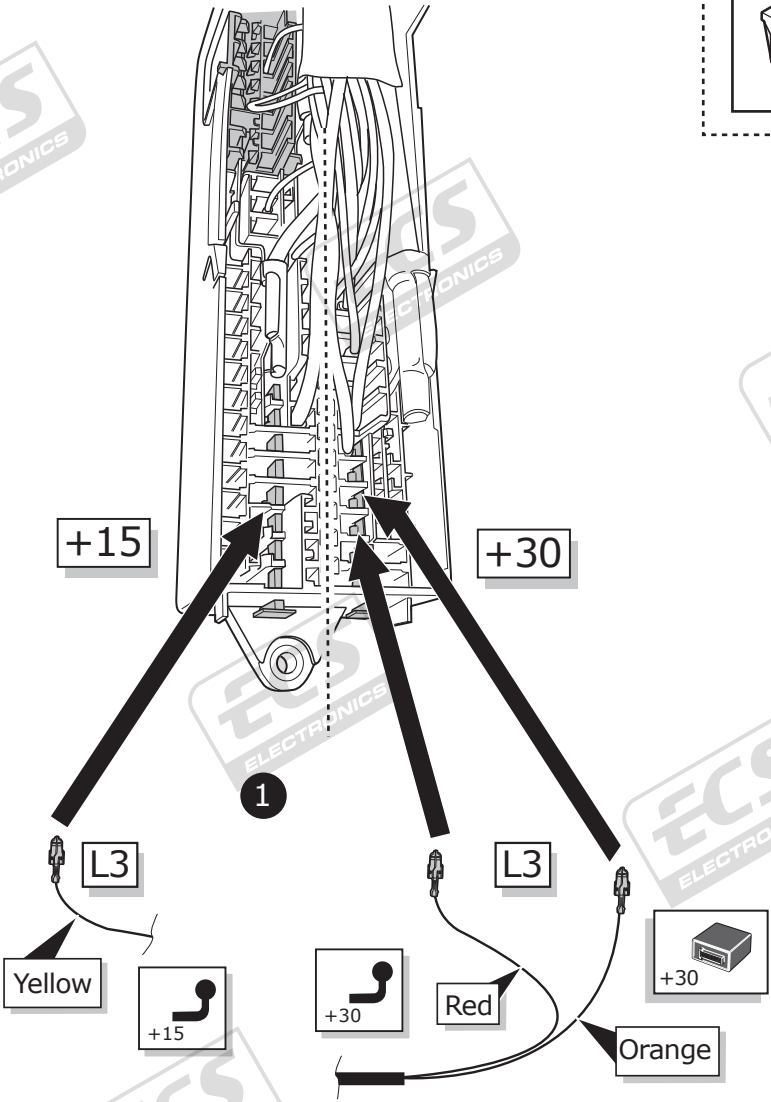
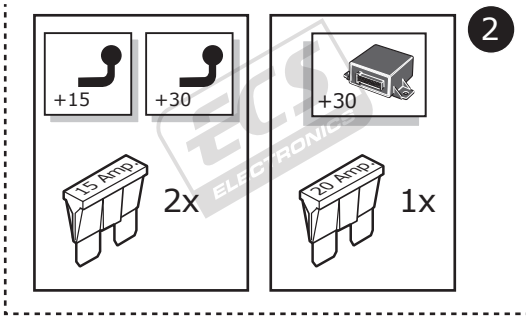


12

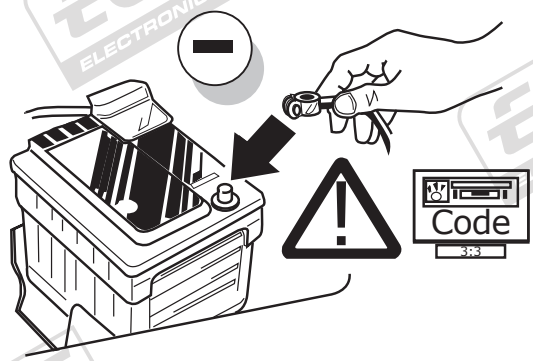


13





16



17

A VAG Service Tester must be used to code the vehicle's Gateway with the additional function for the towing hitch at the dealer.

18

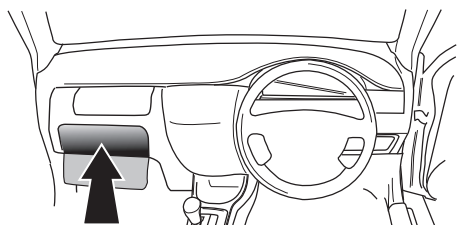


TEST ALL THE CIRCUITS WITH A TEST DEVICE WITH THE CORRECT POWER LOAD FOR EACH FUNCTION. A TEST DEVICE WITH LED'S CANNOT BE USED FOR THIS PURPOSE.

INFO

REINSTALL TRIM.

19



User guide

TECHNICAL SUPPORT



**CALL
07440
202
052**

ECS ELECTRONICS

MONDAY TO FRIDAY
08.00 - 11.00 am
12.00 - 05.00 pm
tekstner@ecs-electronics.com
www.ecs-electronicsuk.co.uk

SOCKET CONNECTION

DIN/ISO 11446													
	1/L	2	3/31	4/R	5/58-R	6/54	7/58-L	8	9	10	11	12	13
Pmax	21W	21W		21W	42W	3x21W	42W	21W	180W/15Amp	180W/15Amp			
Colour	Black/White	Blue	Brown	Black/Green	Grey/Red	Black/Red	Grey/Black	Black	Red	Yellow	Brown	-	Brown