

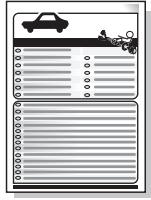
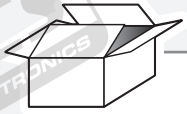
**Seat Alhambra 2011-
Volkswagen Sharan 2011-**

Partnr.: SE-037-B1U

- Fitting instructions electric wiring kit tow bar with 12-N socket up to DIN/ISO Norm 1724.
- We would expressly point out that assembly not carried out properly by a competent installer will result in cancellation of any right to damage compensation, in particular those arising by virtue of the product liability act.
- Contents of these kits and their fitting manuals are subject to alteration without notice, please ensure that these instructions are read and fully understood before commencing installation.
- Do not overload circuits; the maximum loads per connection are detailed in this manual.
- Attention! Before Installation, please read this manual carefully and inform your customer to consult the vehicle owners manual to check for any vehicle modifications required before towing.
- In the event of functional problems, troubleshooting must be limited to about 0.5 hours, contact the technical support:
t.skinner@ecs-electronics.com / 07440 202 052.



Part list



L2



L1

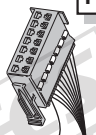


L3

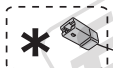


1x

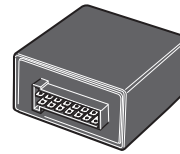
M



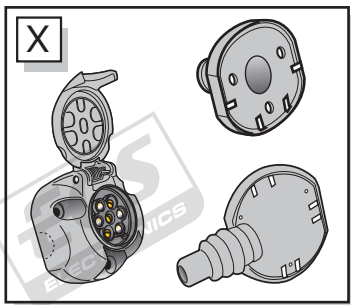
G



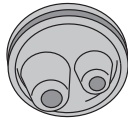
X



M

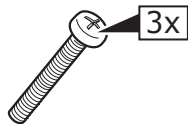


X

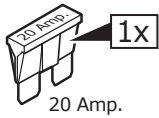


T

* Reverse signal preparation
 **Pag. 11**



3x

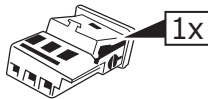


1x

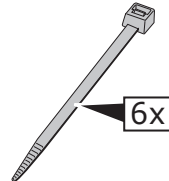
20 Amp.



3x

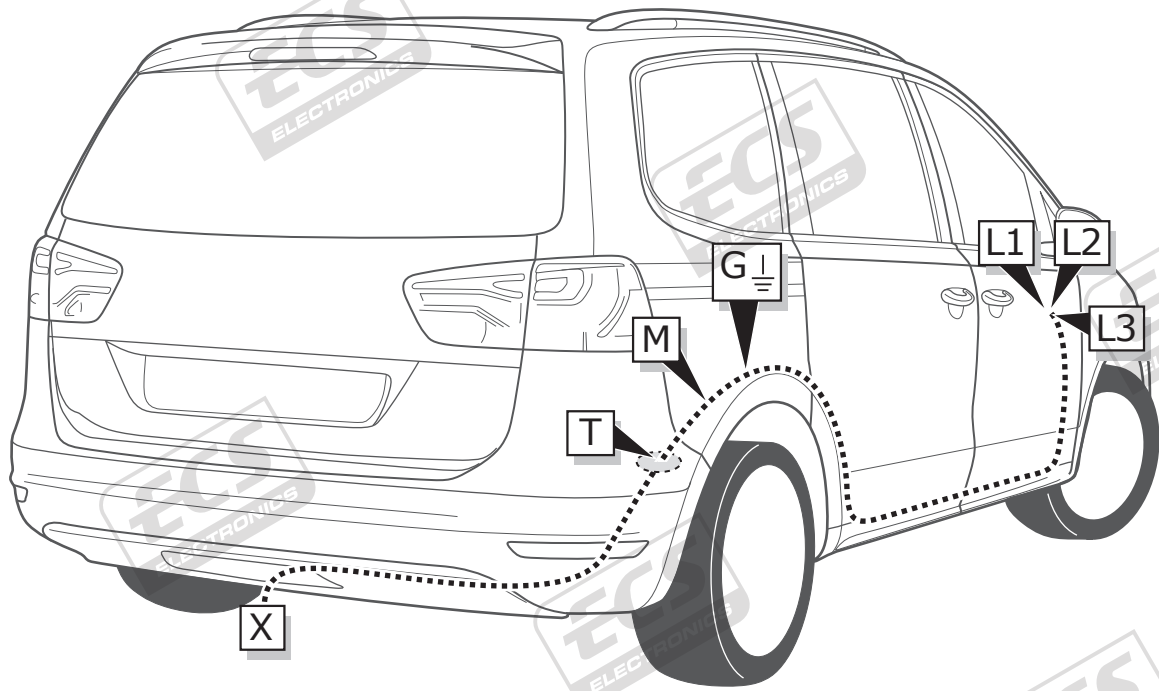


1x

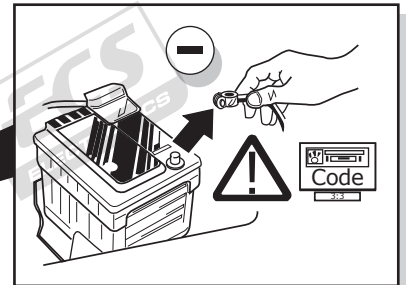
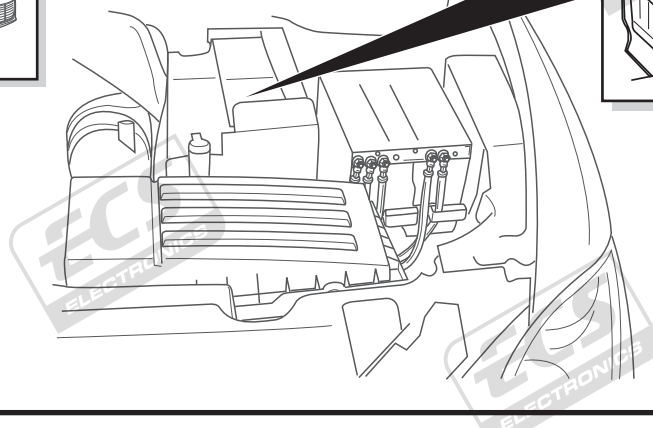
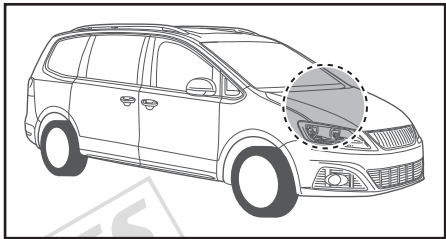


6x

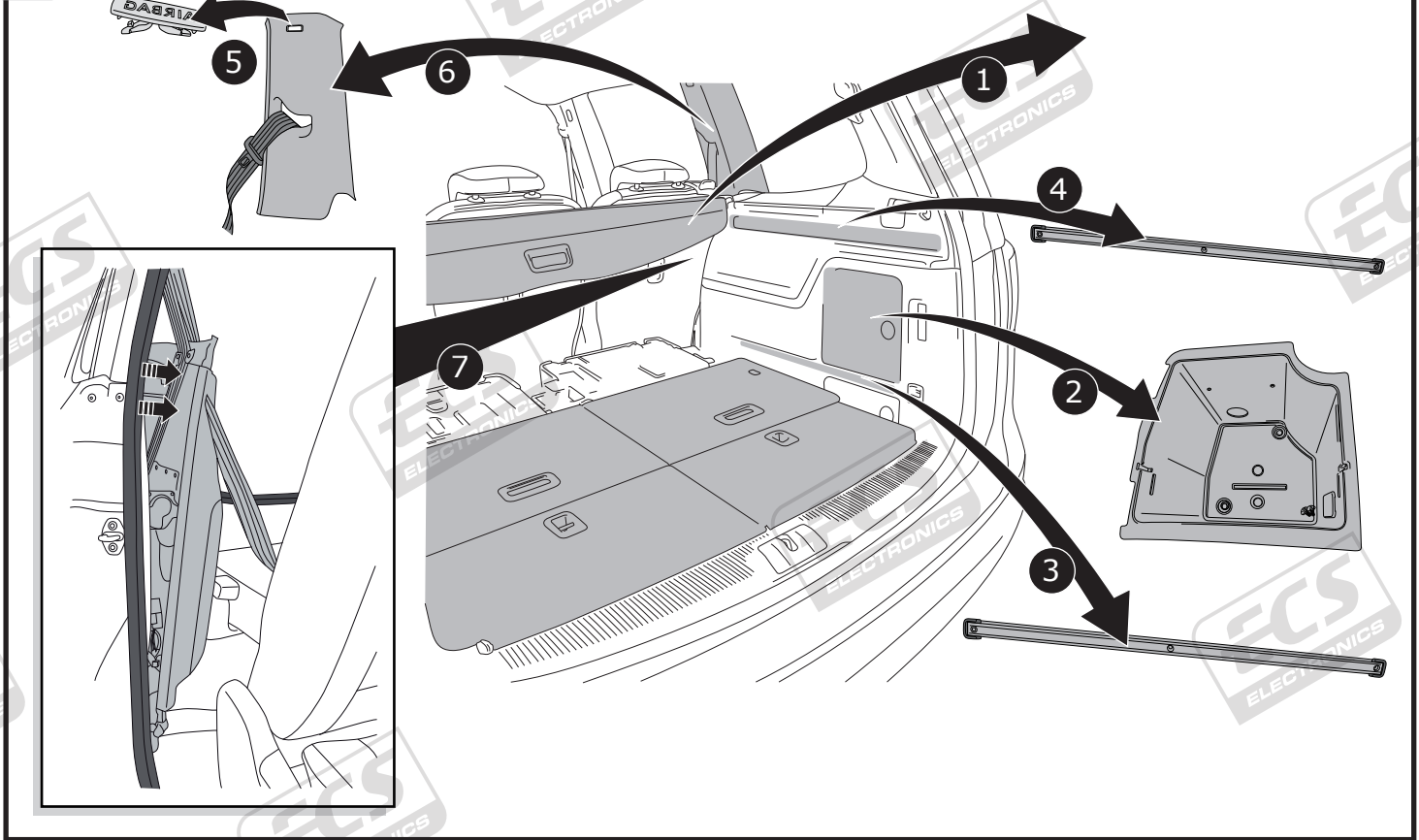
ROUTING



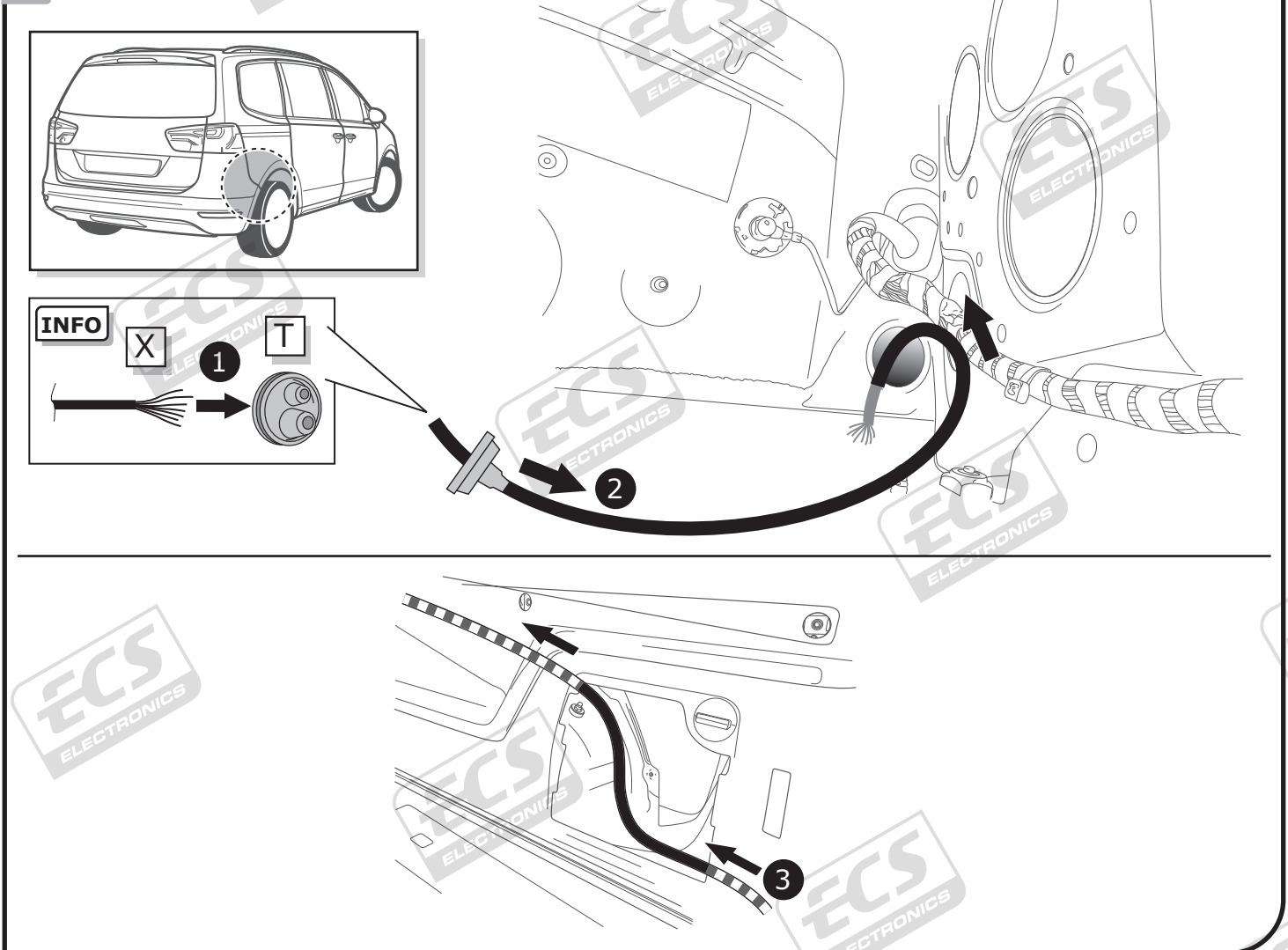
1

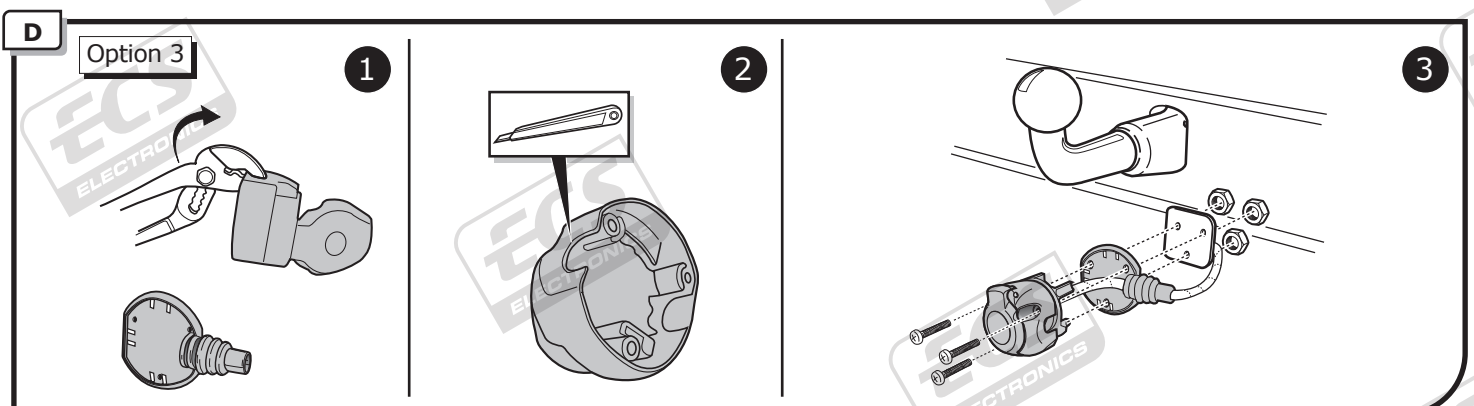
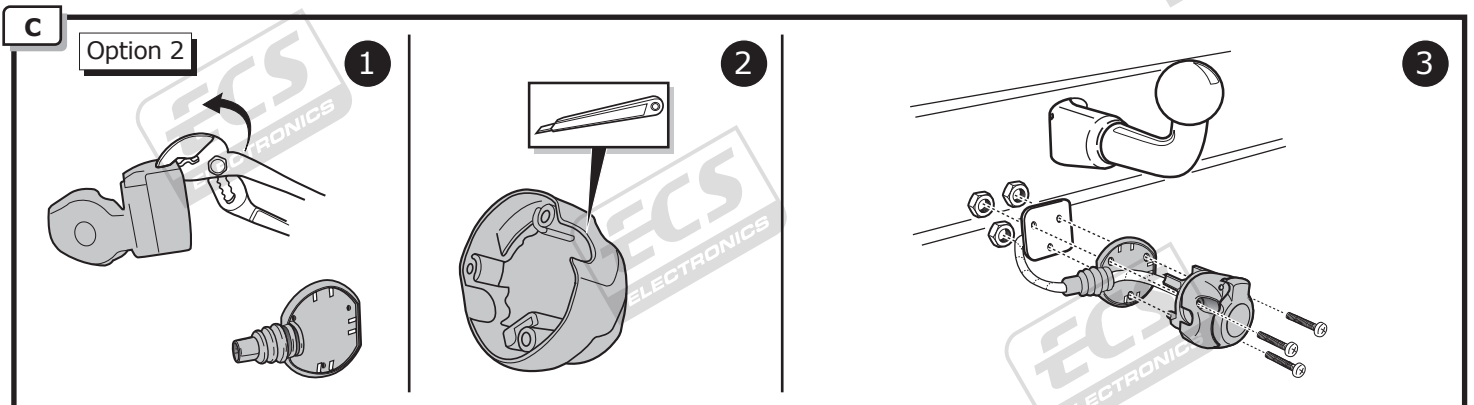
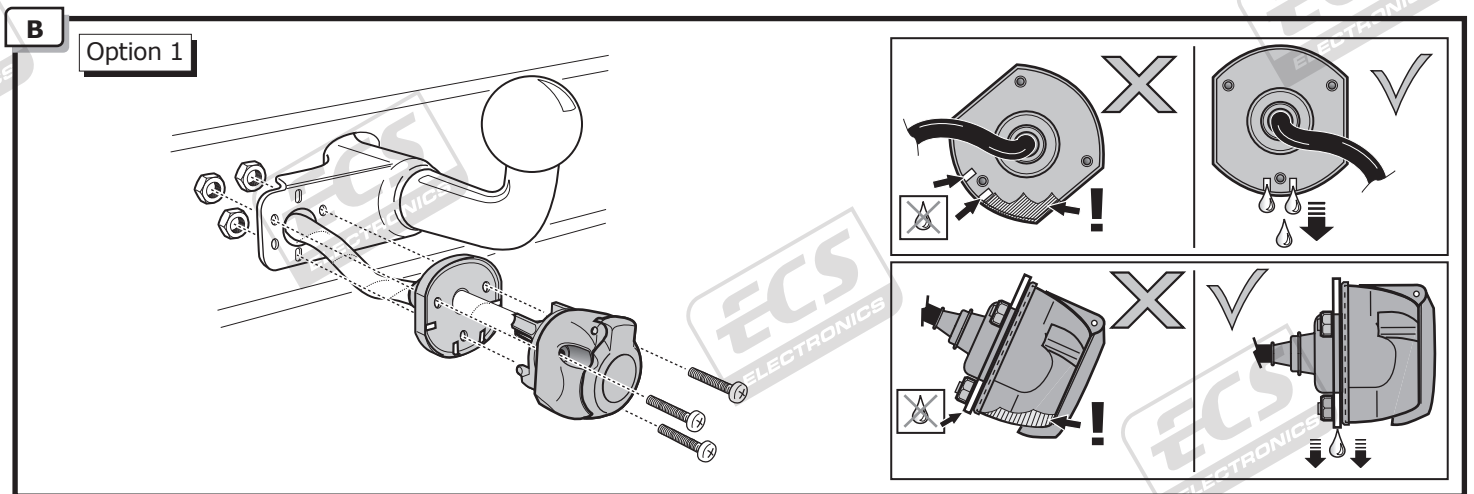
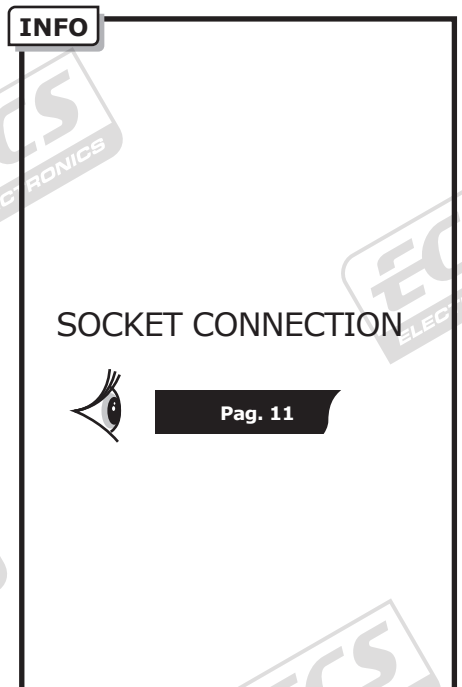
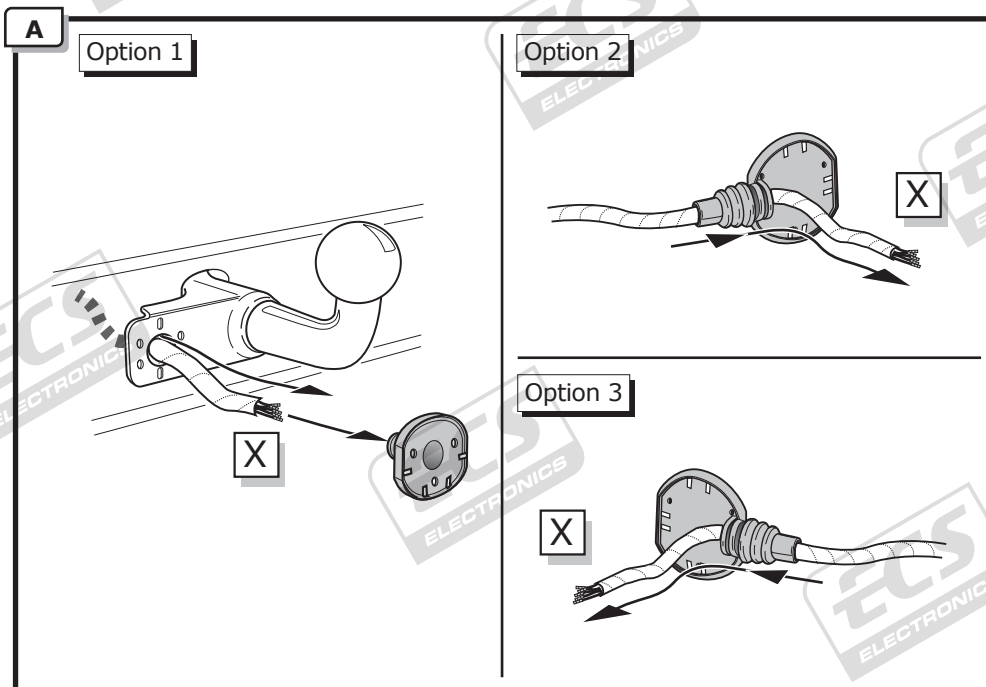


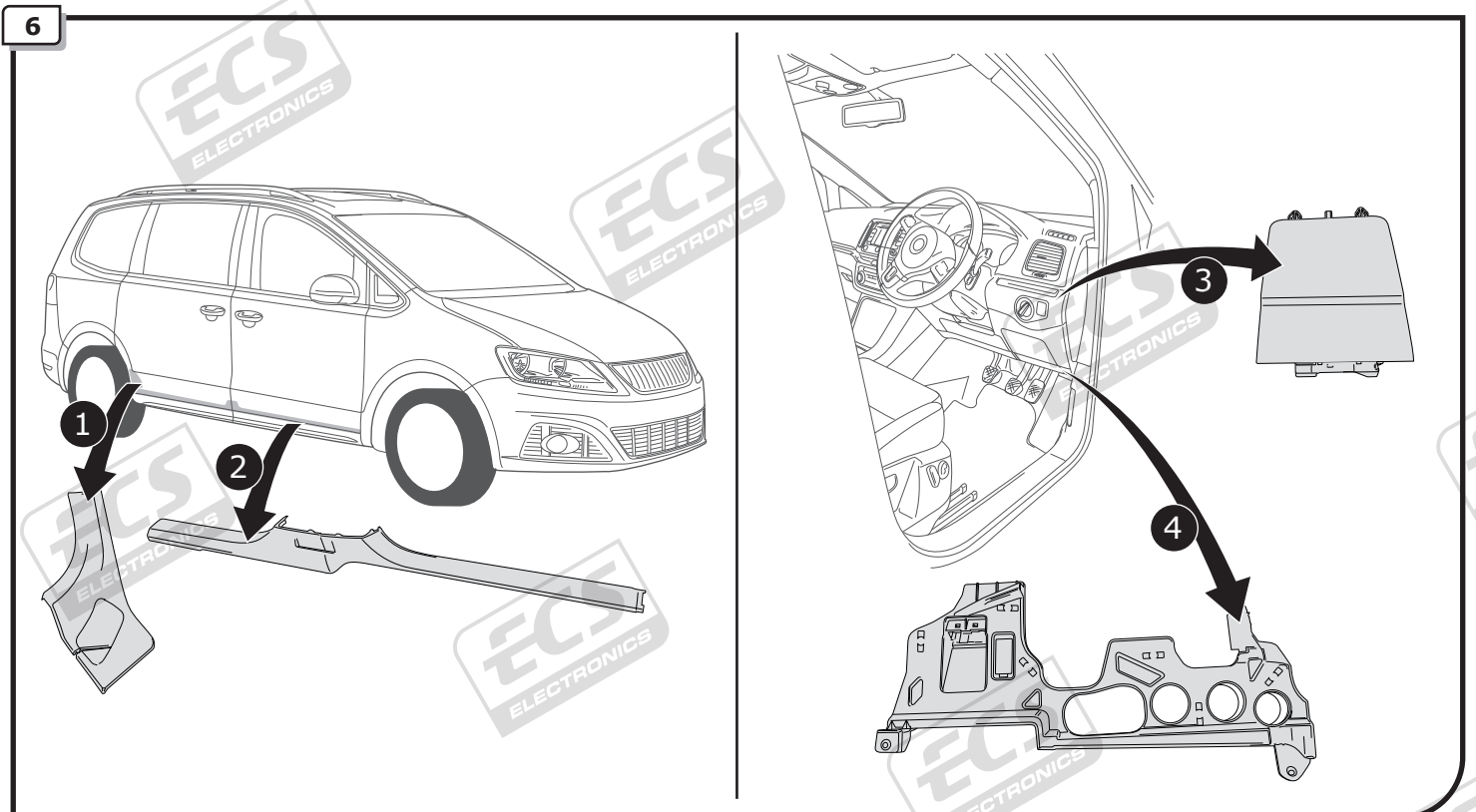
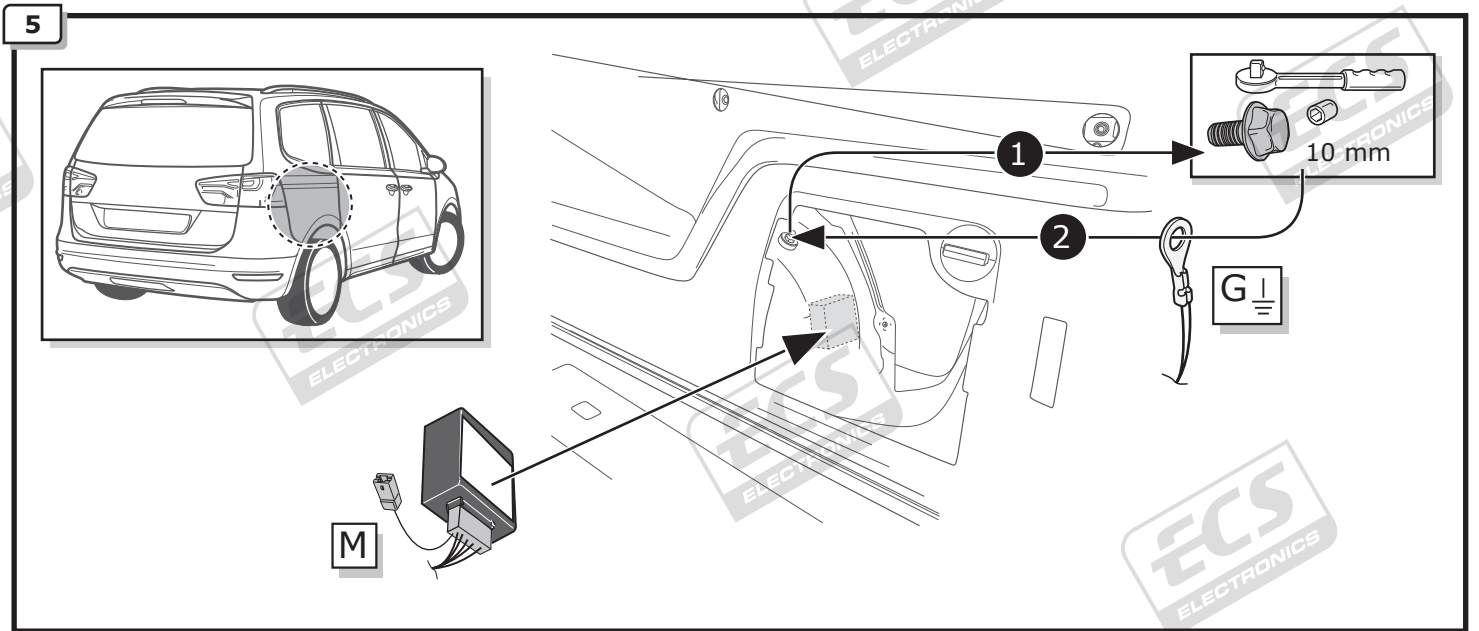
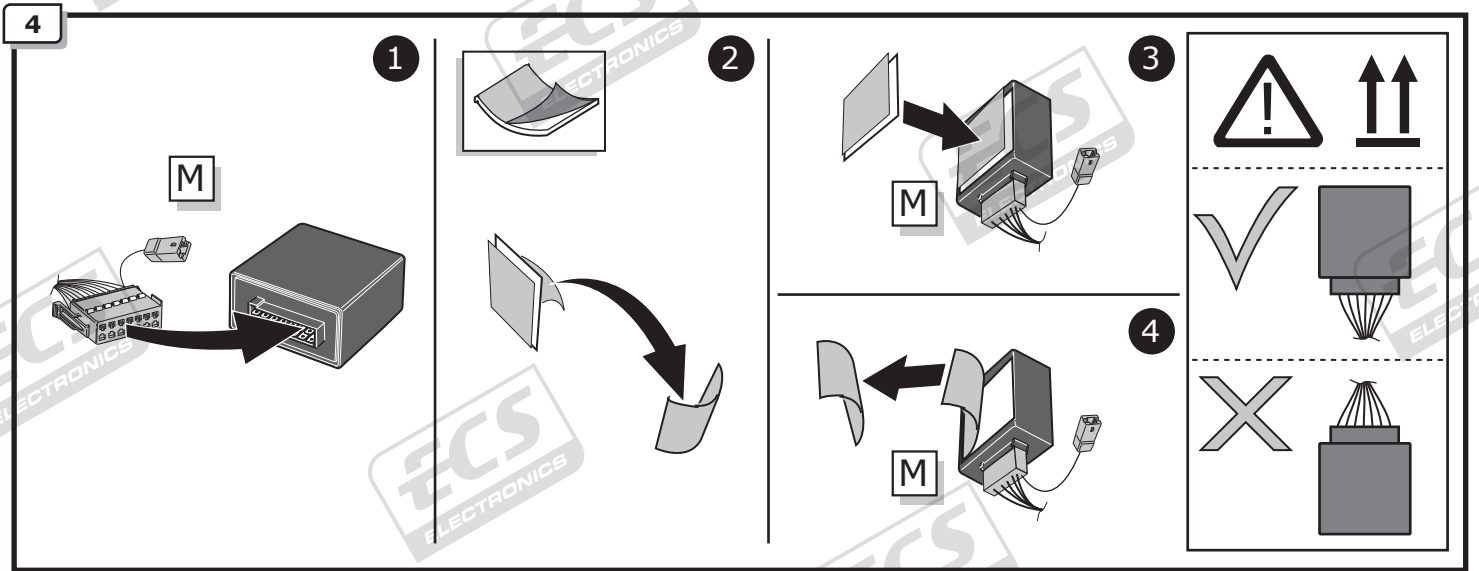
2



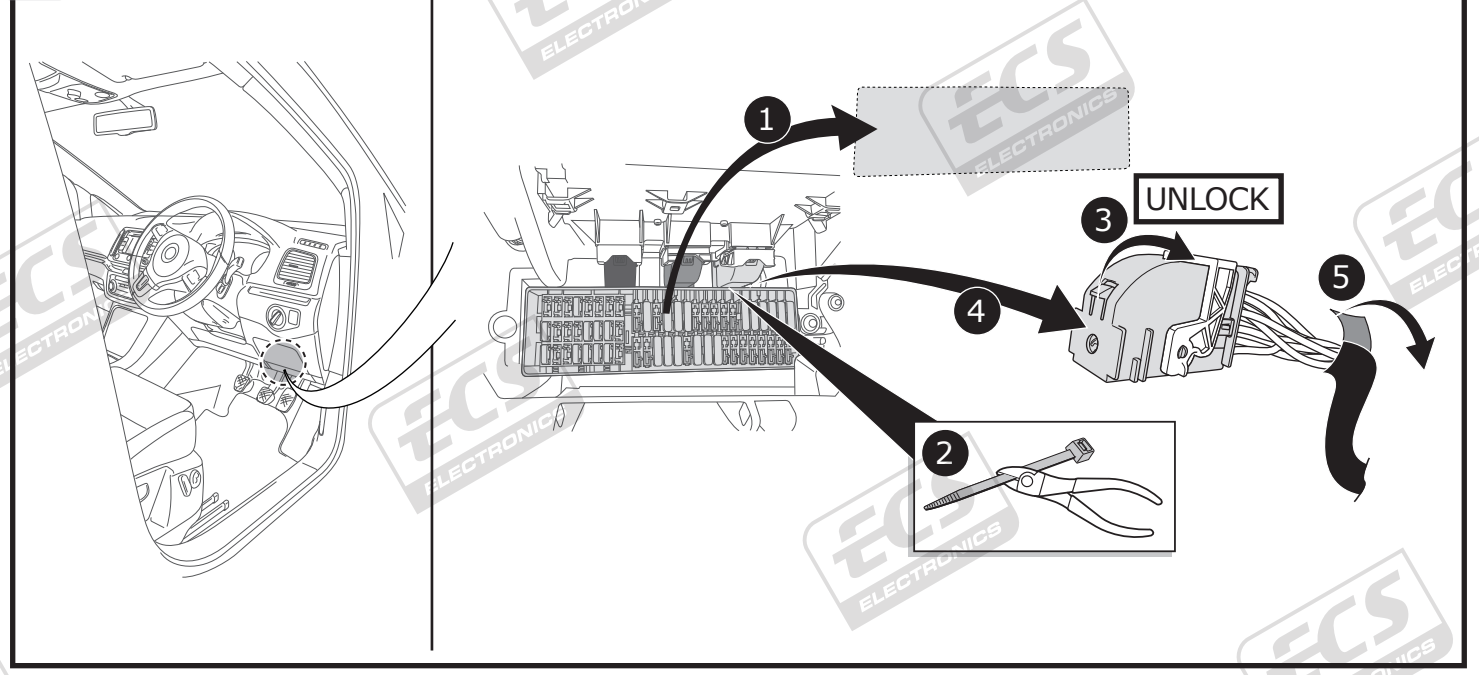
3



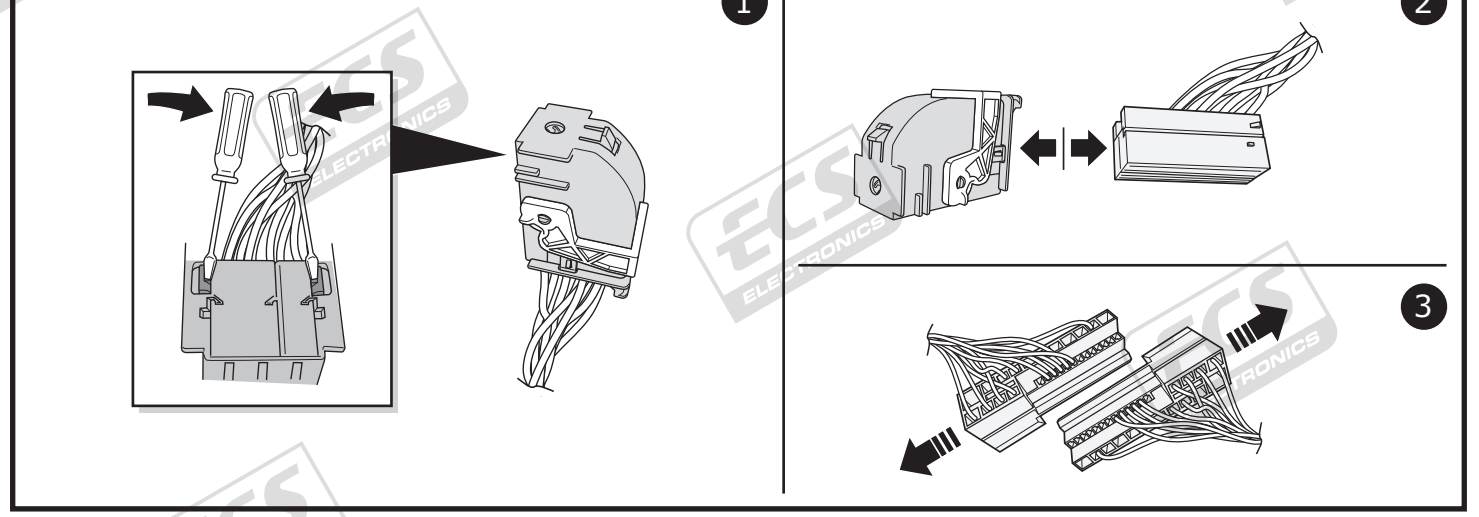




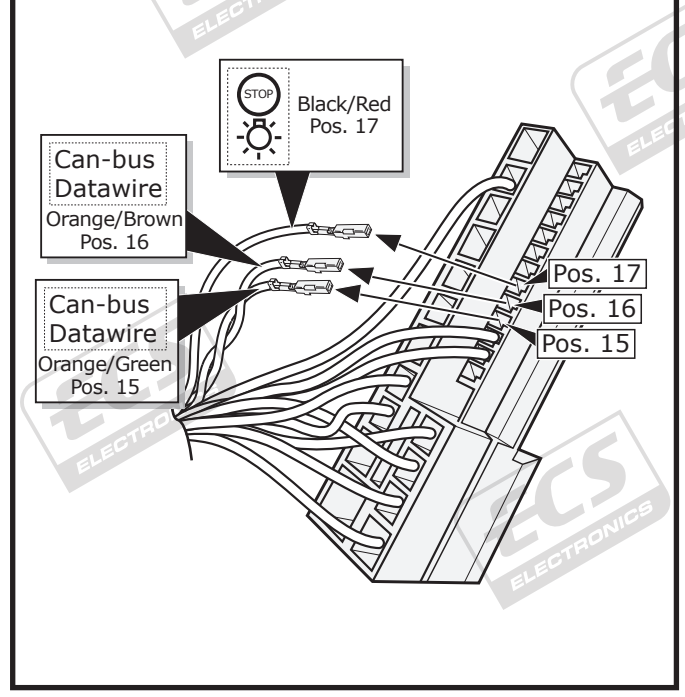
7



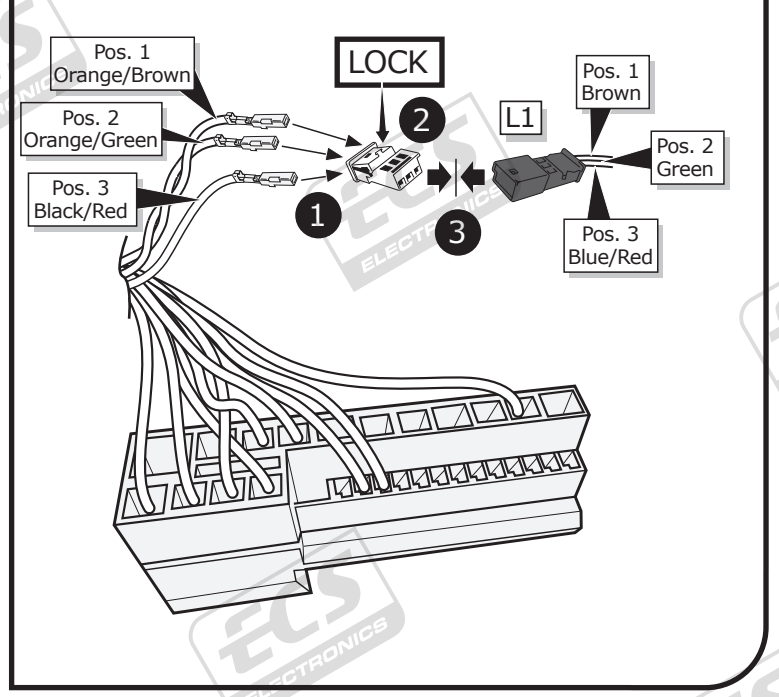
8



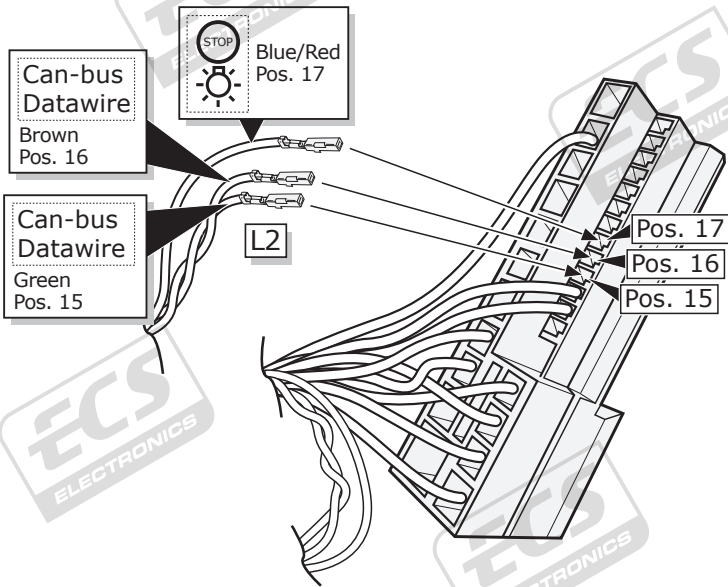
9



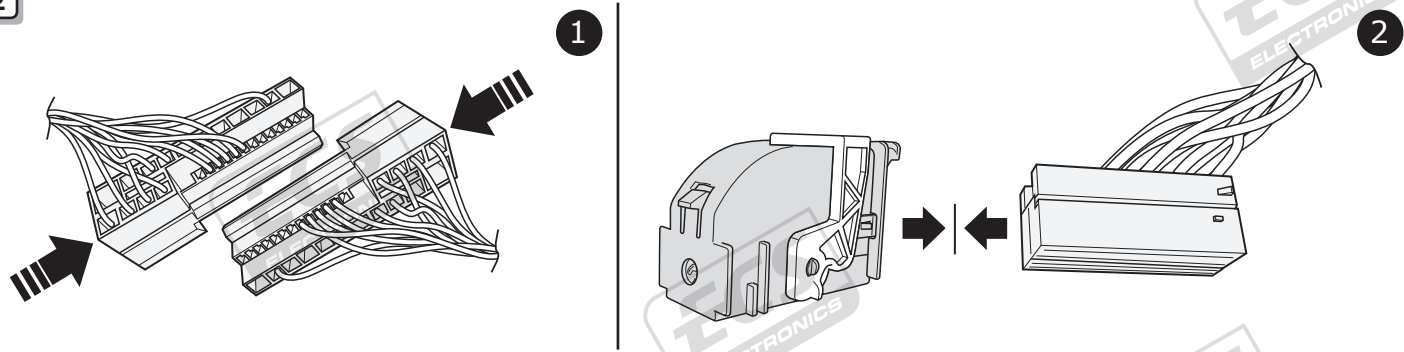
10



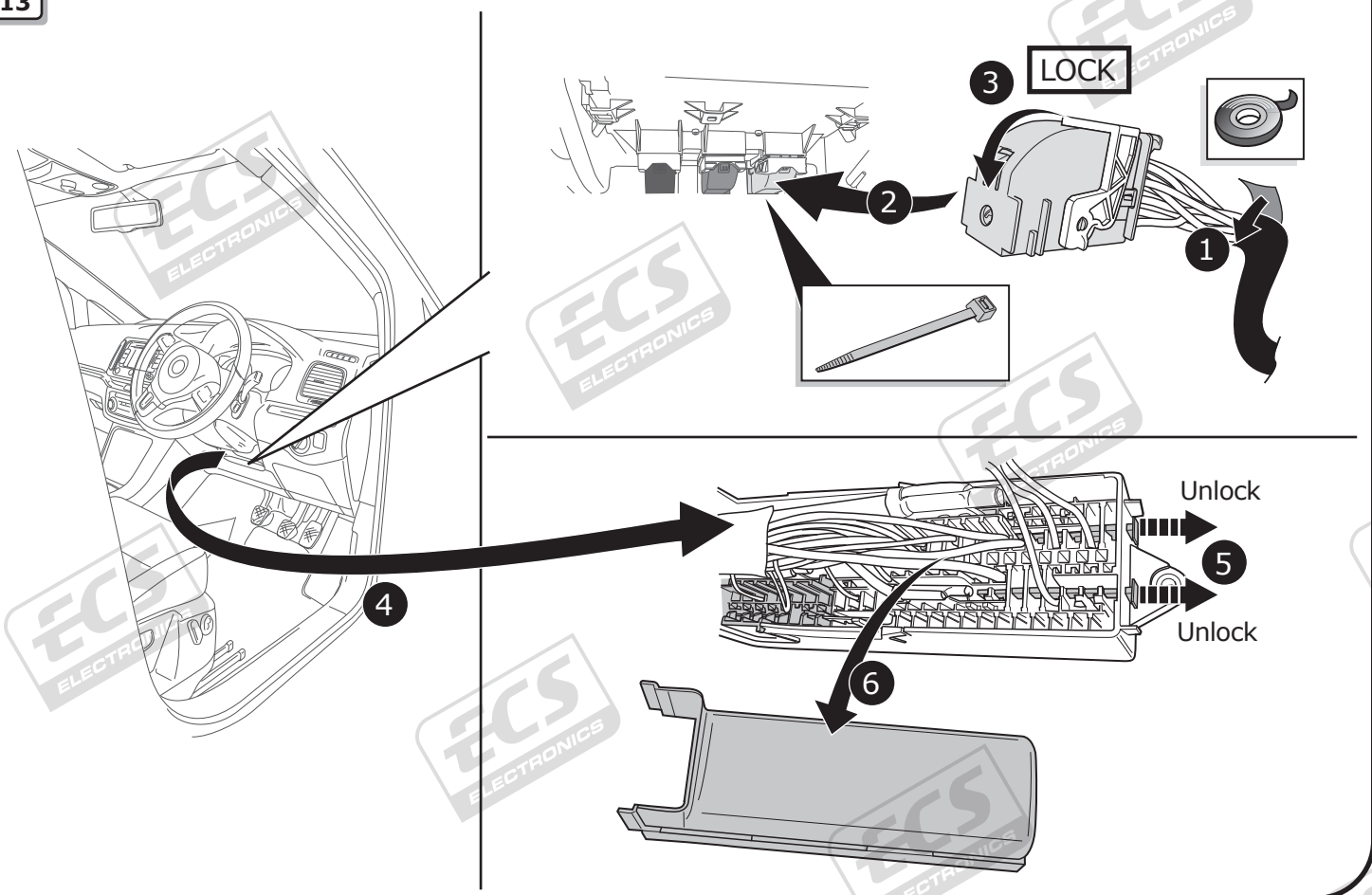
11

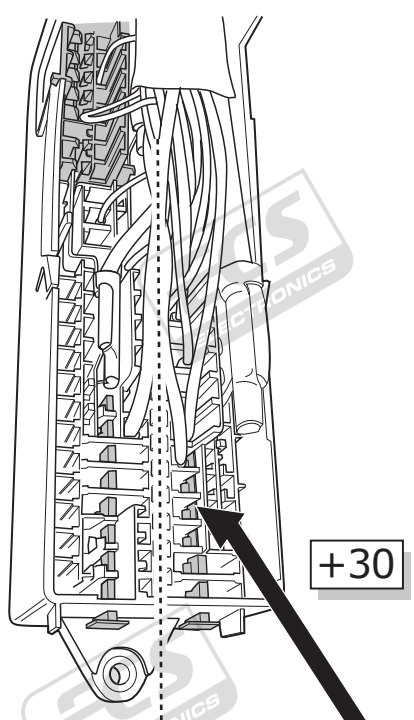


12



13





+30

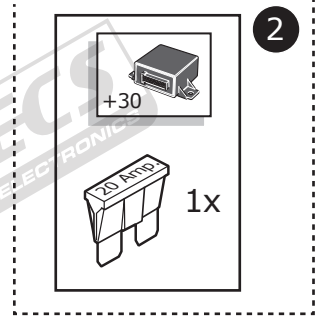
1

L3



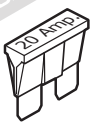
+30

Orange

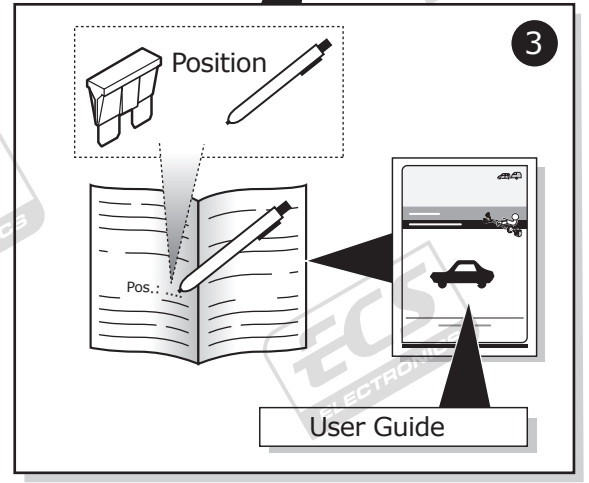


2

+30

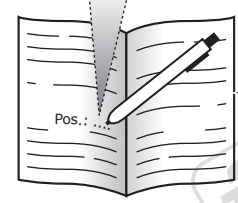
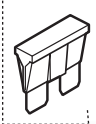


1x



3

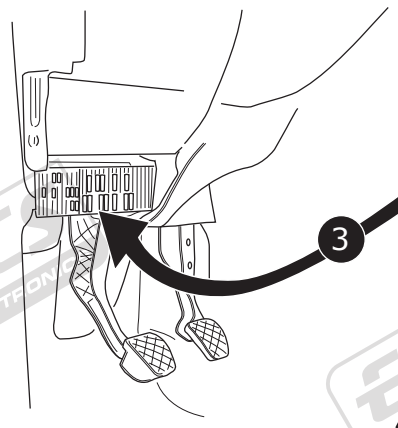
Position



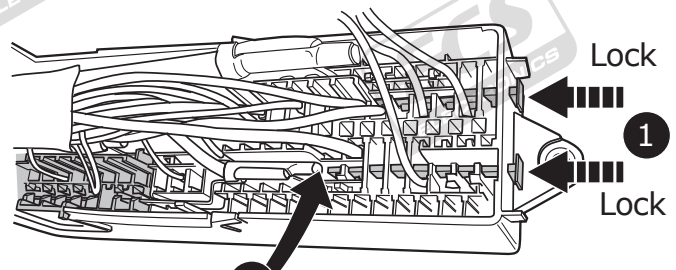
Pos.:



User Guide



3

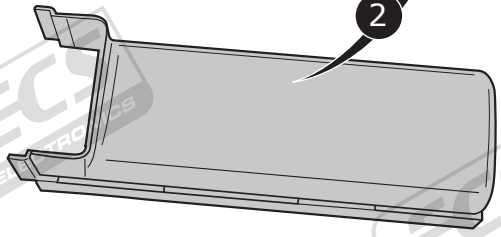


Lock

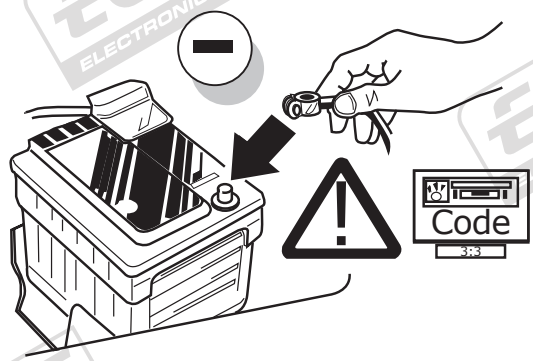
1

Lock

2



16



17

A VAG Service Tester must be used to code the vehicle's Gateway with the additional function for the towing hitch at the dealer.

18

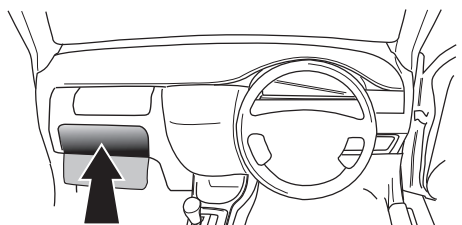


TEST ALL THE CIRCUITS WITH A TEST DEVICE WITH THE CORRECT POWER LOAD FOR EACH FUNCTION. A TEST DEVICE WITH LED'S CANNOT BE USED FOR THIS PURPOSE.

INFO

REINSTALL TRIM.

19



User guide

TECHNICAL SUPPORT

**CALL
07440
202
052**

ECS ELECTRONICS

MONDAY TO FRIDAY
08.00 - 11.00 am
12.00 - 05.00 pm
t.skinner@ecs-electronics.com
www.ecs-electronicsuk.co.uk

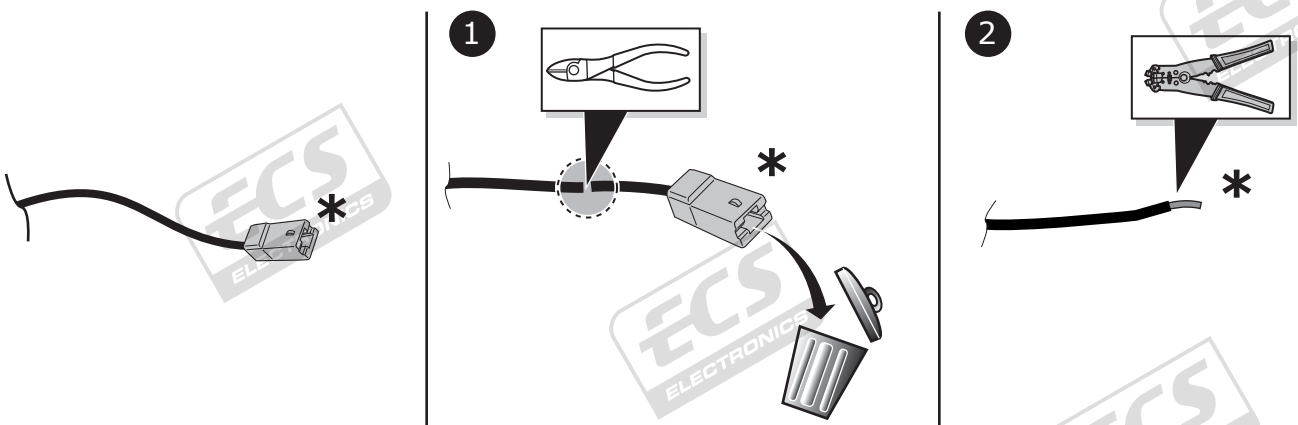
INFO

SOCKET CONNECTION

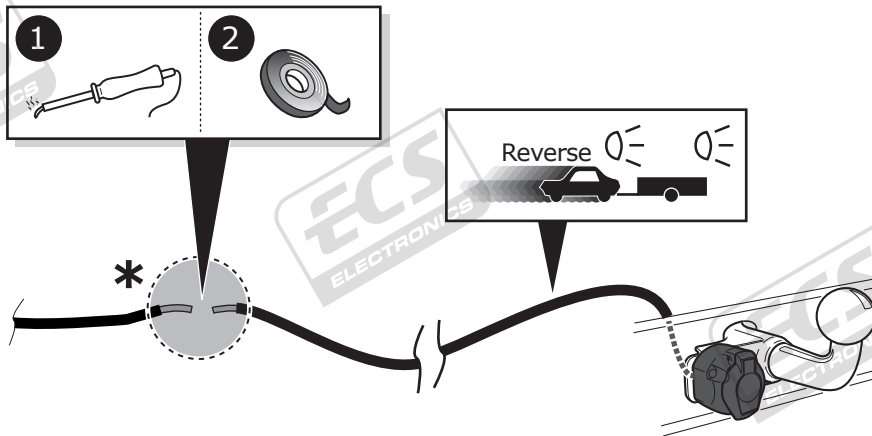
| | | | | | | | |
|-----------------|-----------------|------|-------|-----------------|--------------|---------------|----------------|
| DIN/ISO 1724 | | | | | | | |
| | 1/L | 2 | 3/31 | 4/R | 5/58-R | 6/54 | 7/58-L |
| Pmax | 21W | 21W | | 21W | 42W | 3x21W | 42W |
| Colour | Black/ White | Blue | Brown | Black/ Green | Grey/ Red | Black/ Red | Grey/ Black |

Reverse signal preparation

A



B



⚠ MAX = 21W