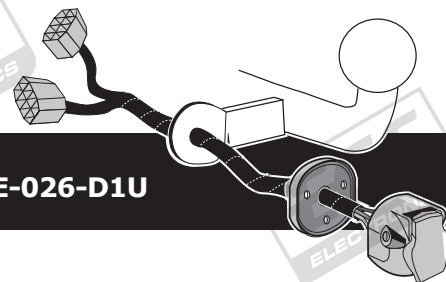


**SKODA Fabia 10- HB /
SKODA Fabia 10- Combi /
SKODA Roomster 10-**

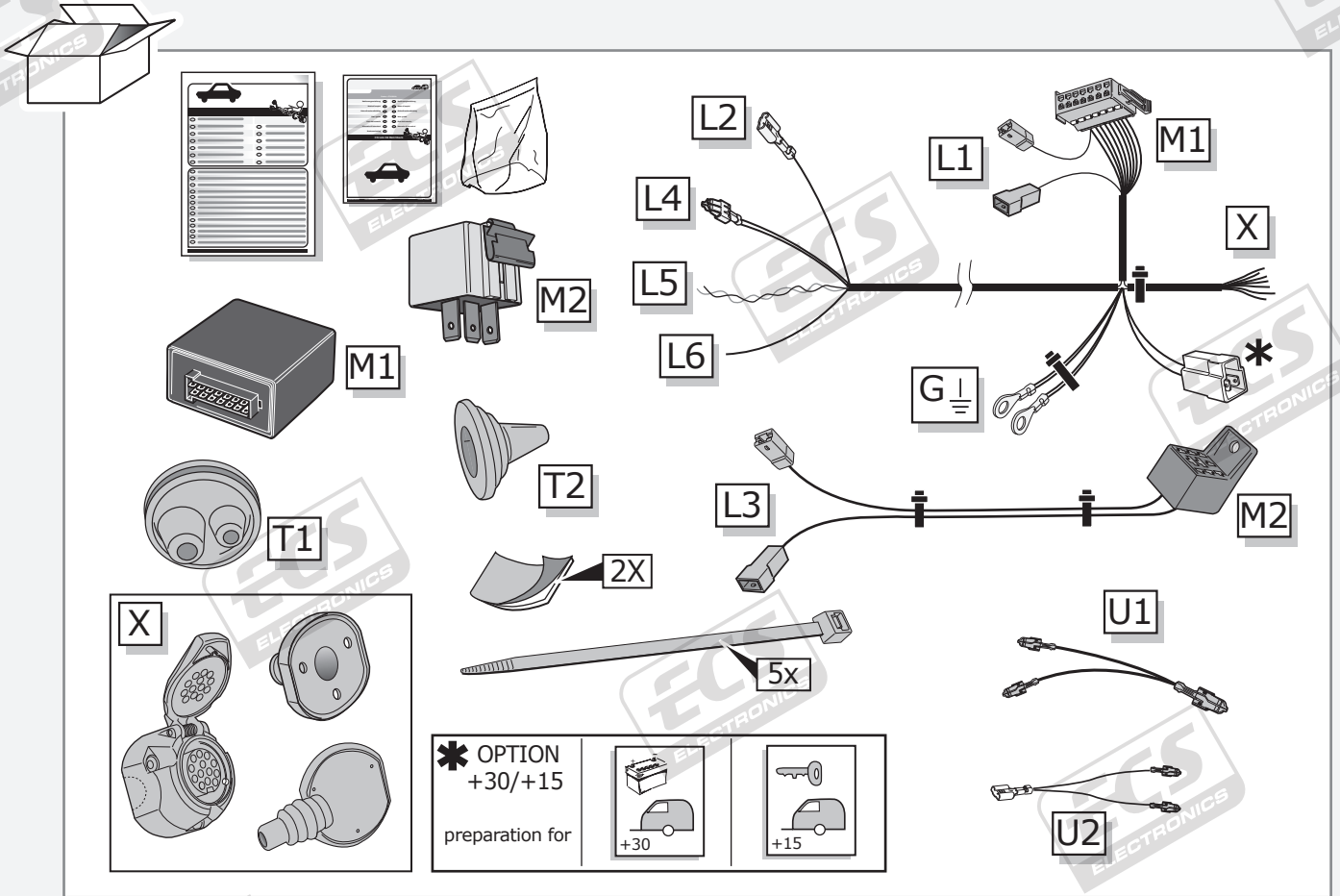
Partnr.: SE-026-D1U



- Fitting instructions electric wiring kit tow bar with 13-P socket up to DIN/ISO Norm 11446.
- We would expressly point out that assembly not carried out properly by a competent installer will result in cancellation of any right to damage compensation, in particular those arising by virtue of the product liability act.
- Contents of these kits and their fitting manuals are subject to alteration without notice, please ensure that these instructions are read and fully understood before commencing installation.
- Do not overload circuits; the maximum loads per connection are detailed in this manual.
- Attention! Before Installation, please read this manual carefully and inform your customer to consult the vehicle owners manual to check for any vehicle modifications required before towing.
- In the event of functional problems, troubleshooting must be limited to about 0.5 hours, contact the technical support:
t.skinner@ecs-electronics.com / 07440 202 052.



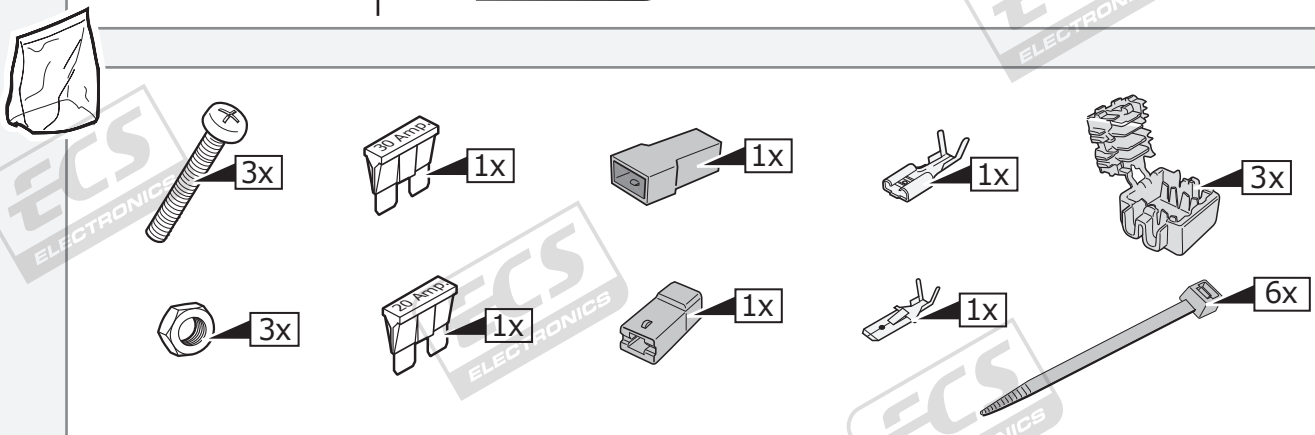
Part list



Option *
+30/+15
extension kit

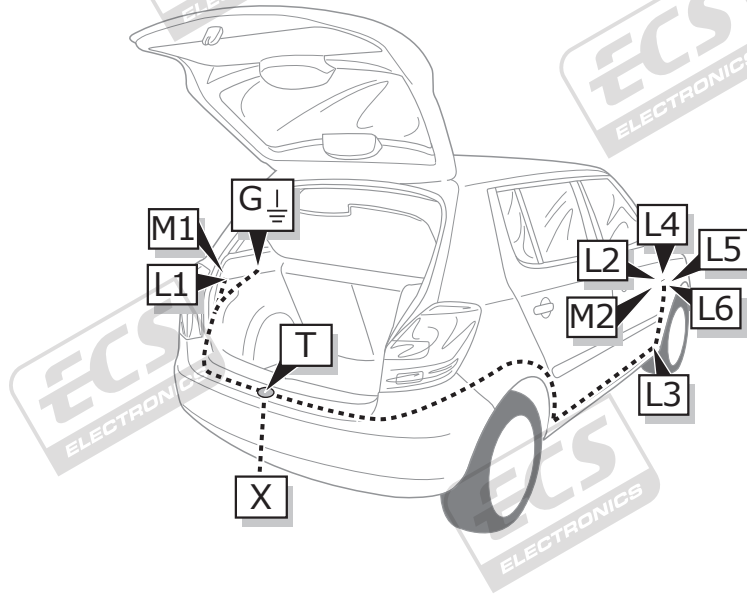


Consult your supplier.

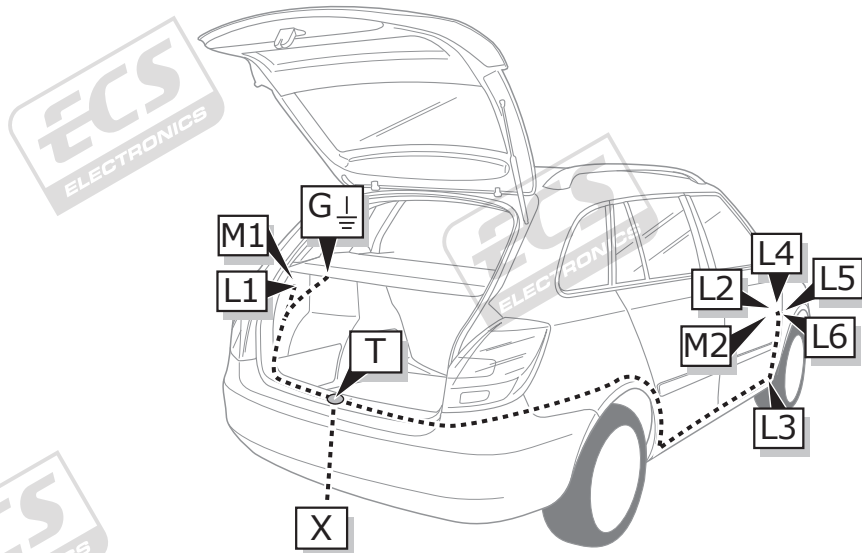


ROUTING

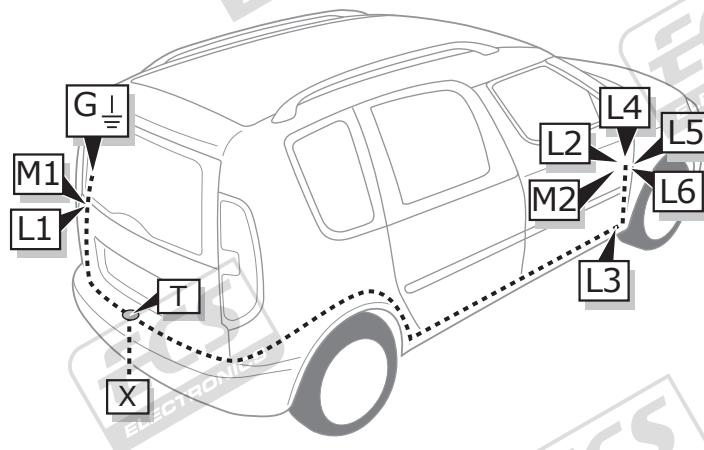
Hatchback



Combi

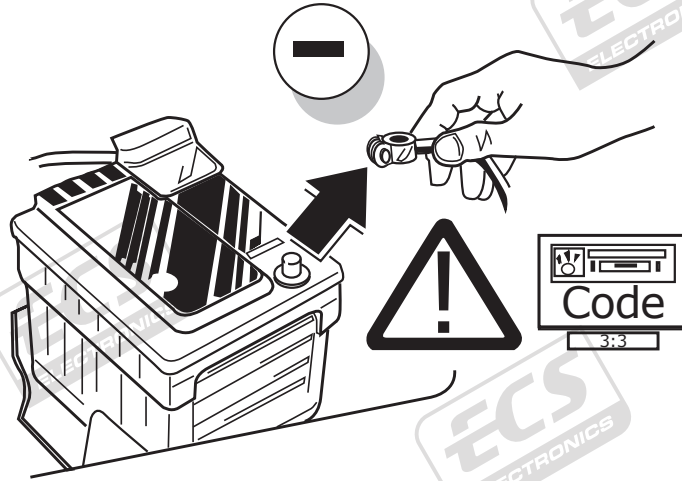


Roomster



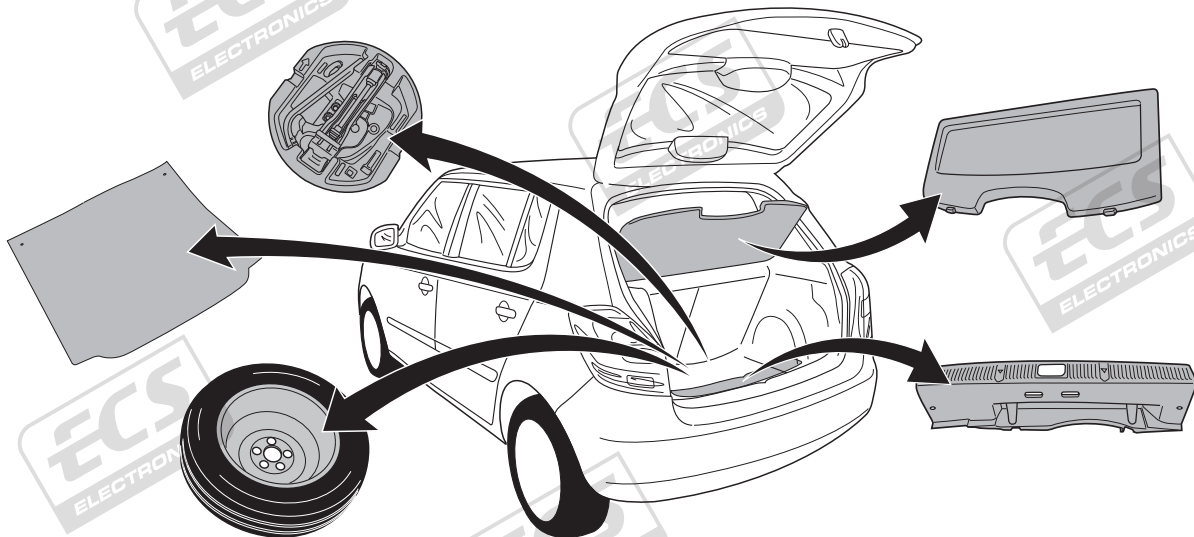
FABIA HB / FABIA COMBI / ROOMSTER

1

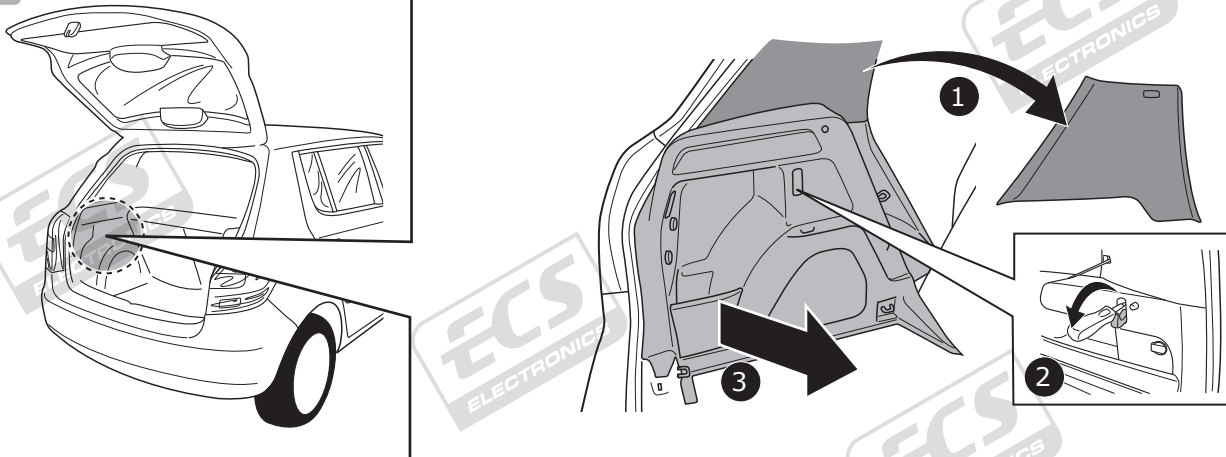


FABIA HB

2

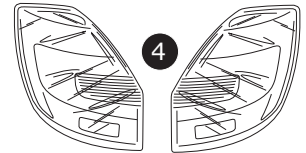
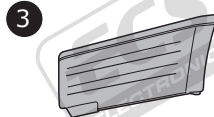
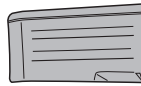
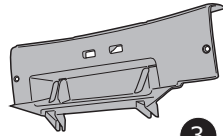
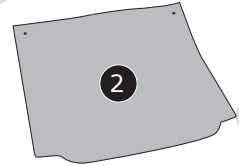
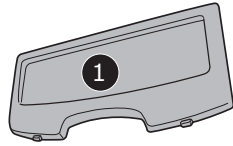
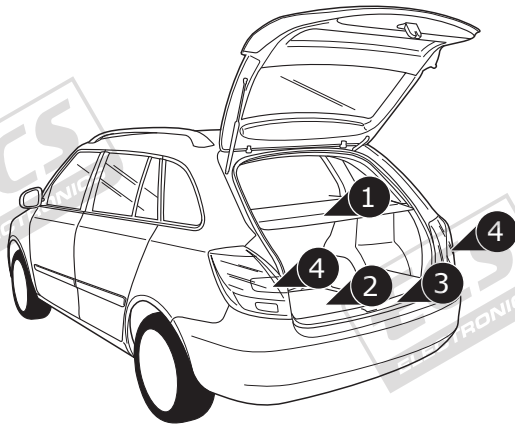


3

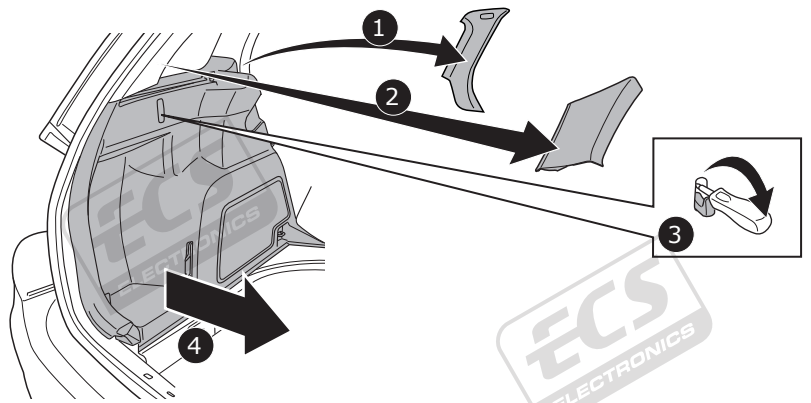
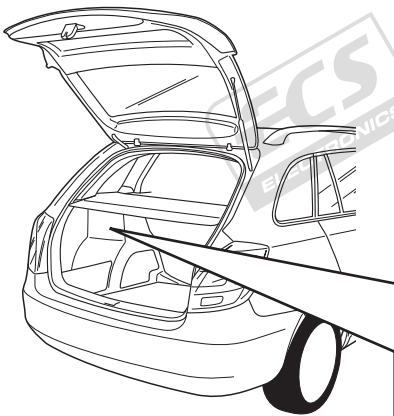


FABIA COMBI

4

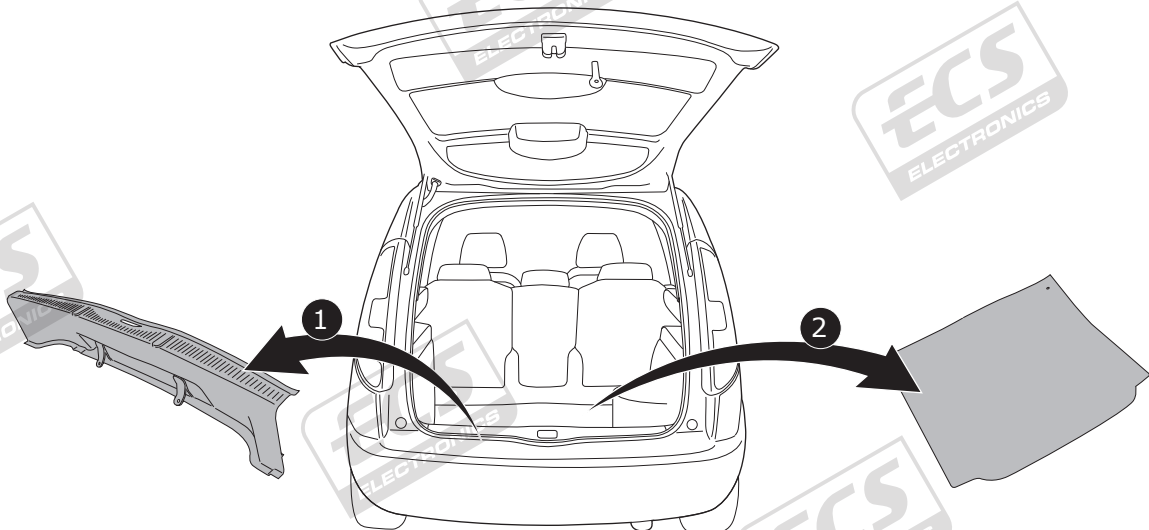


5

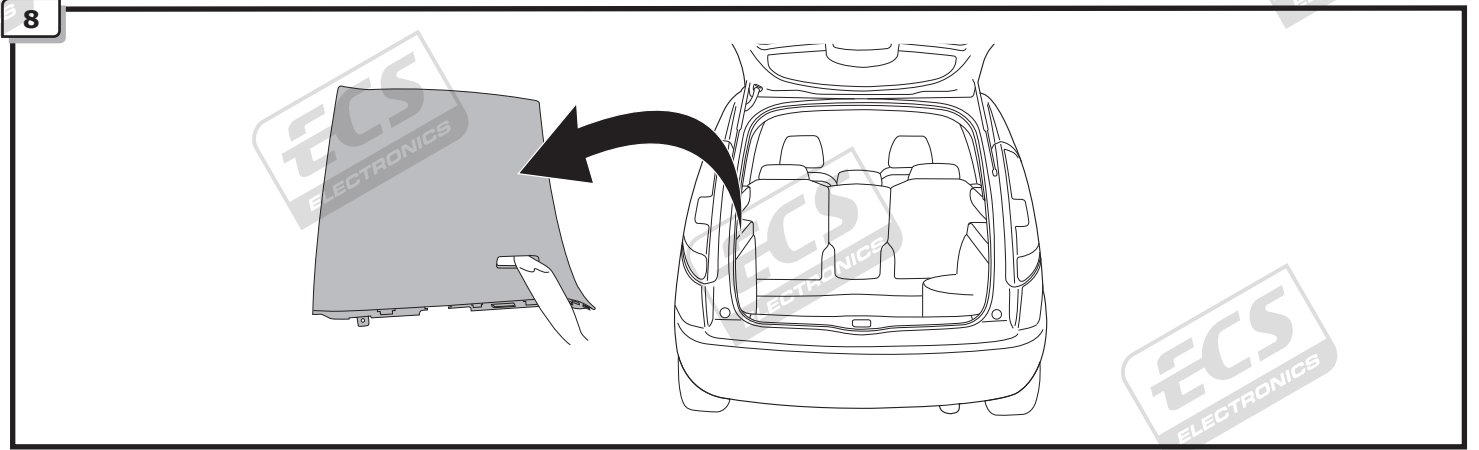
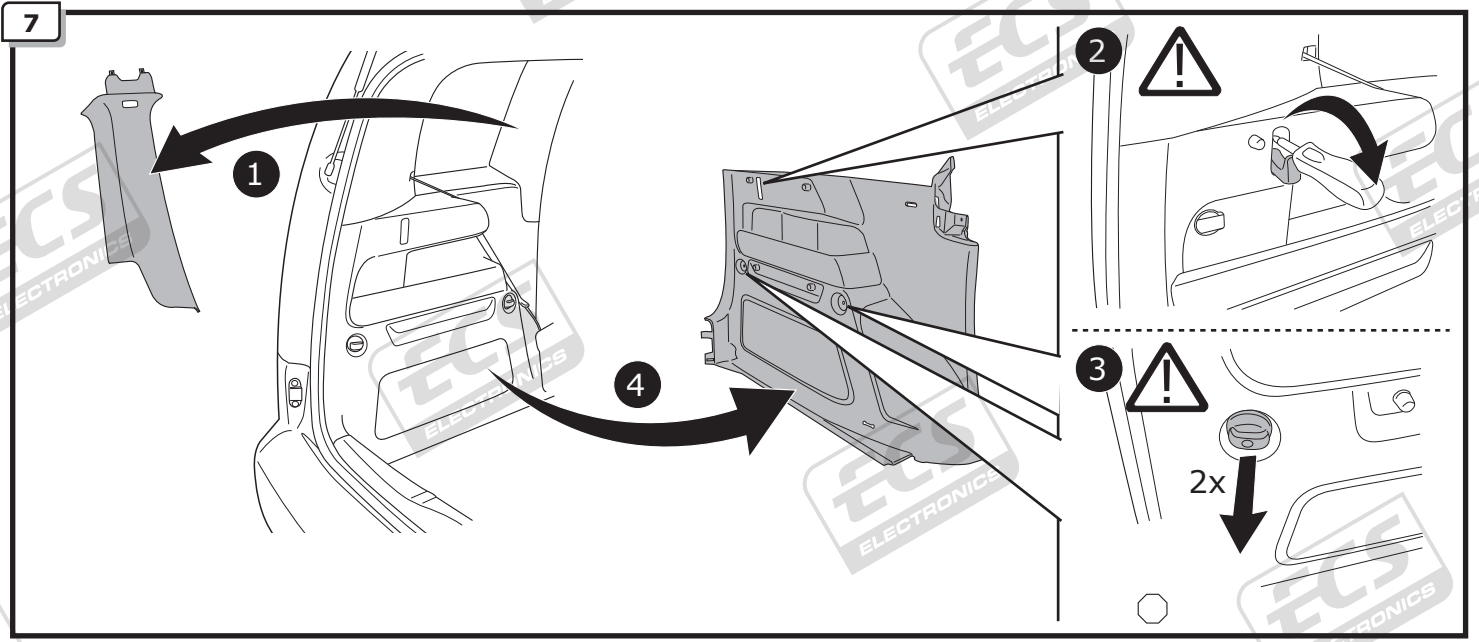


ROOMSTER

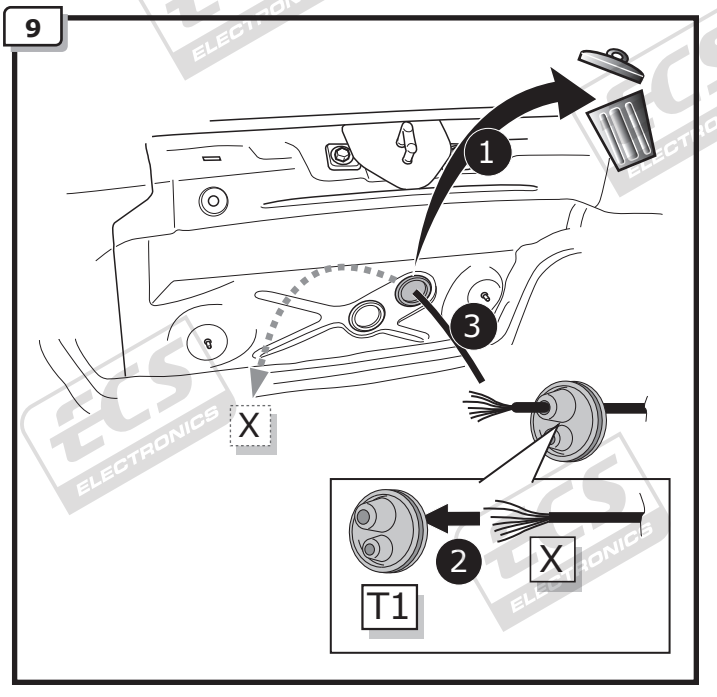
6



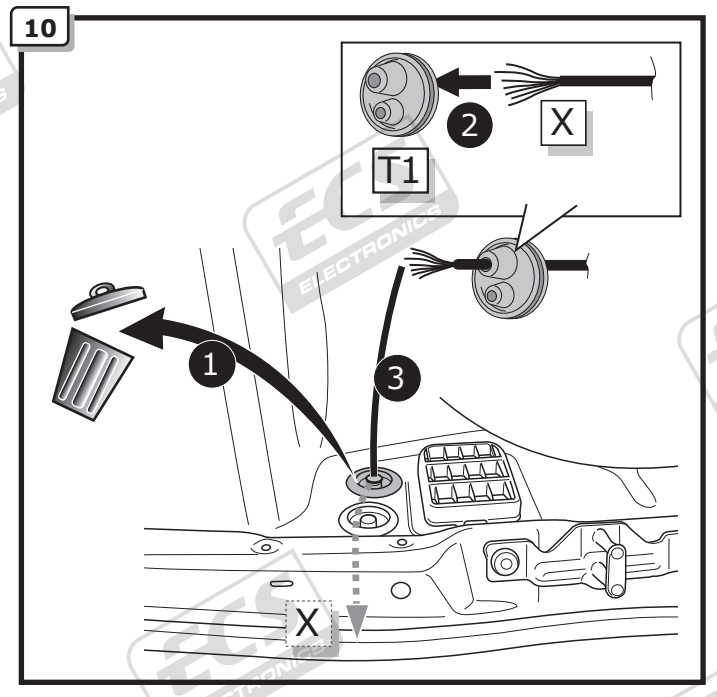
ROOMSTER

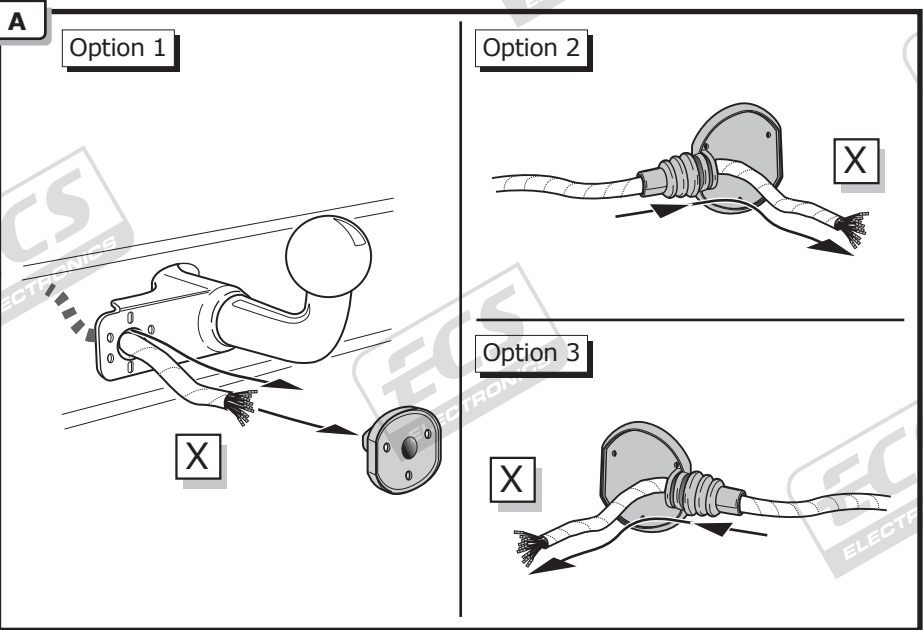


FABIA HB / FABIA COMBI



ROOMSTER

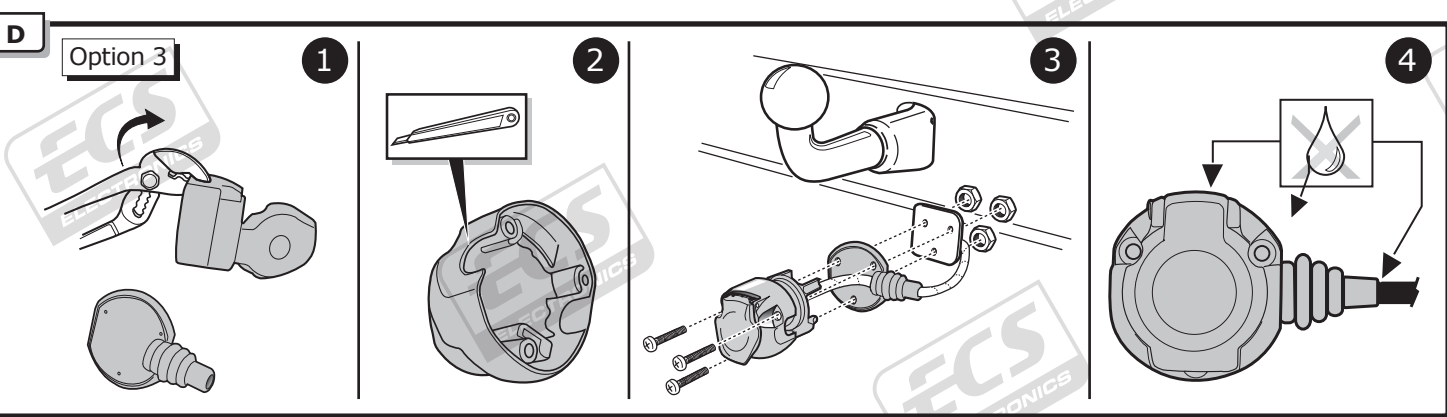
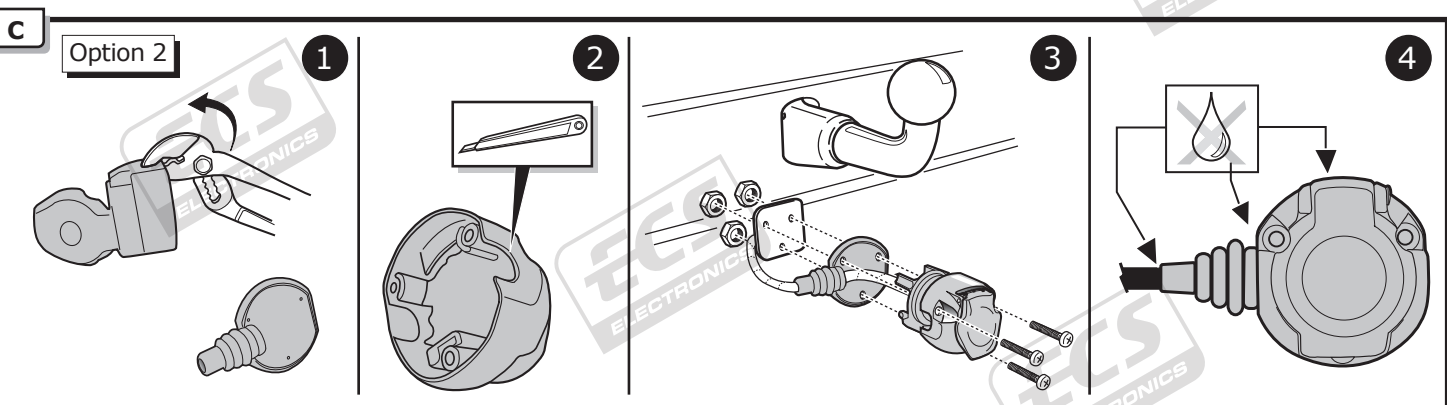
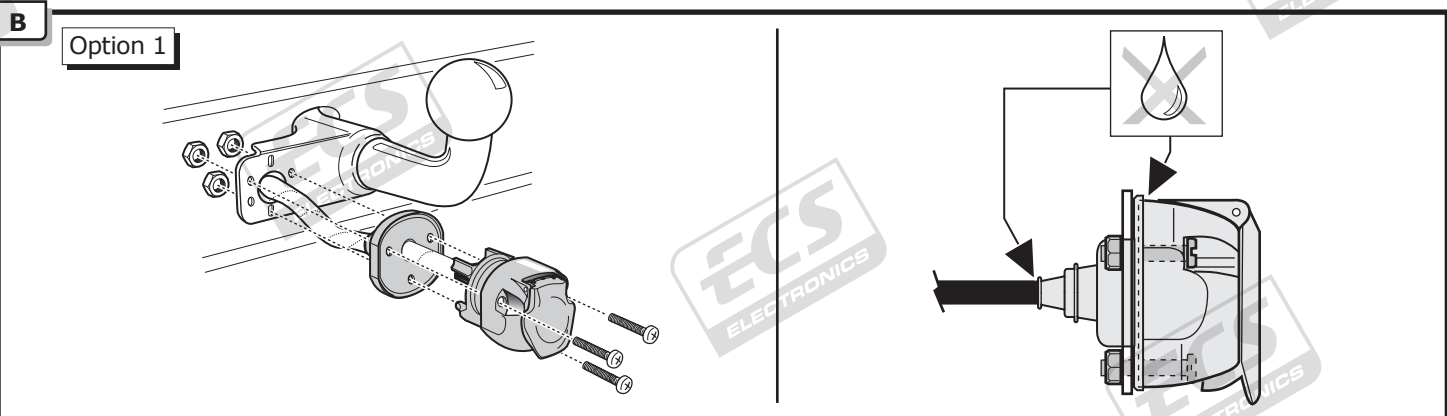




INFO

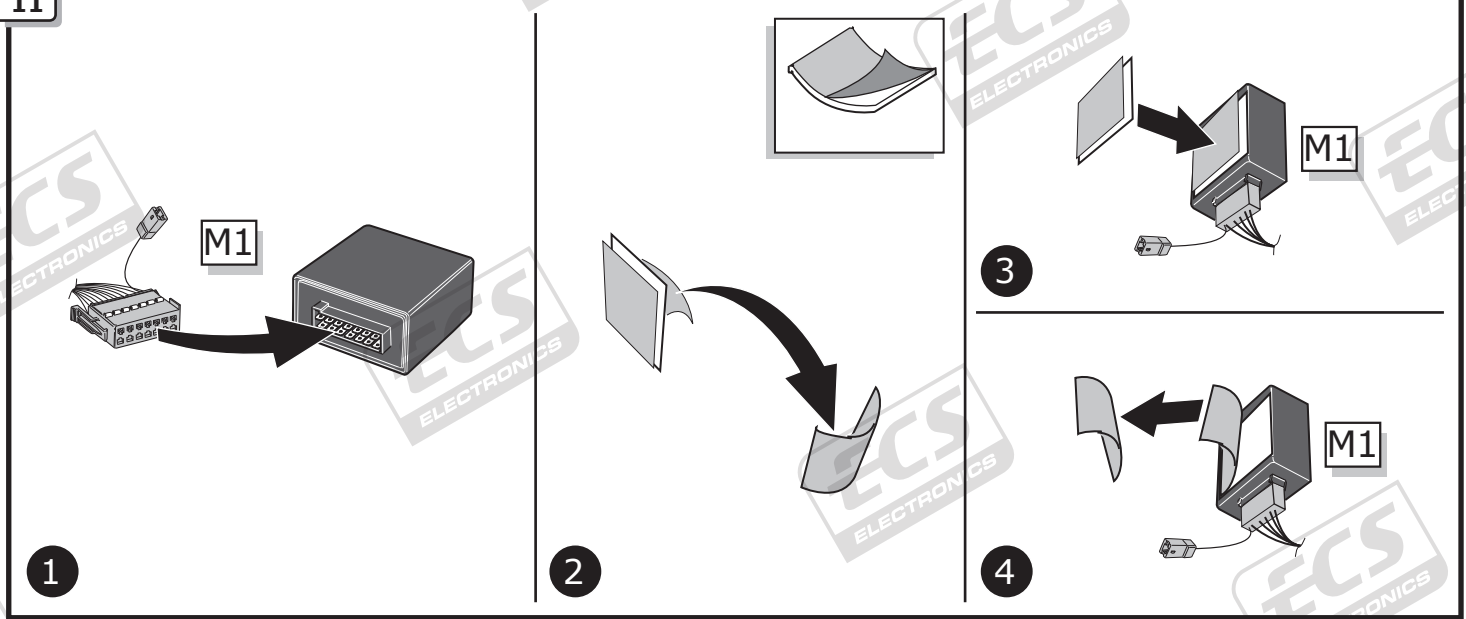
SOCKET CONNECTION

Pag. 18



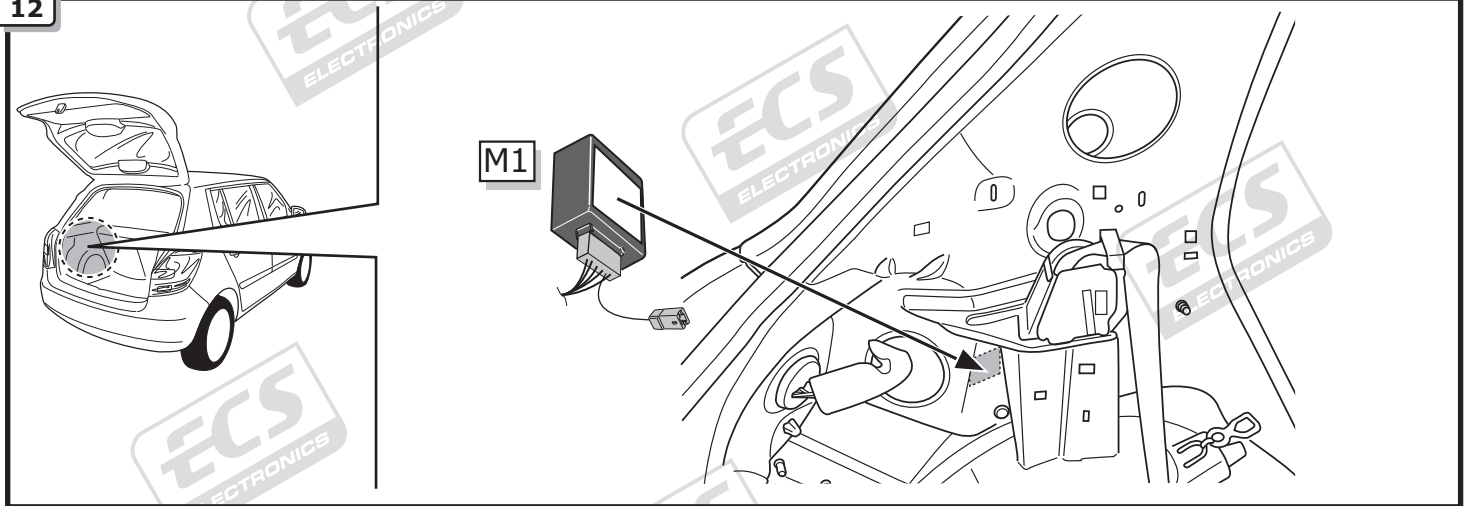
FABIA HB / FABIA COMBI / ROOMSTER

11



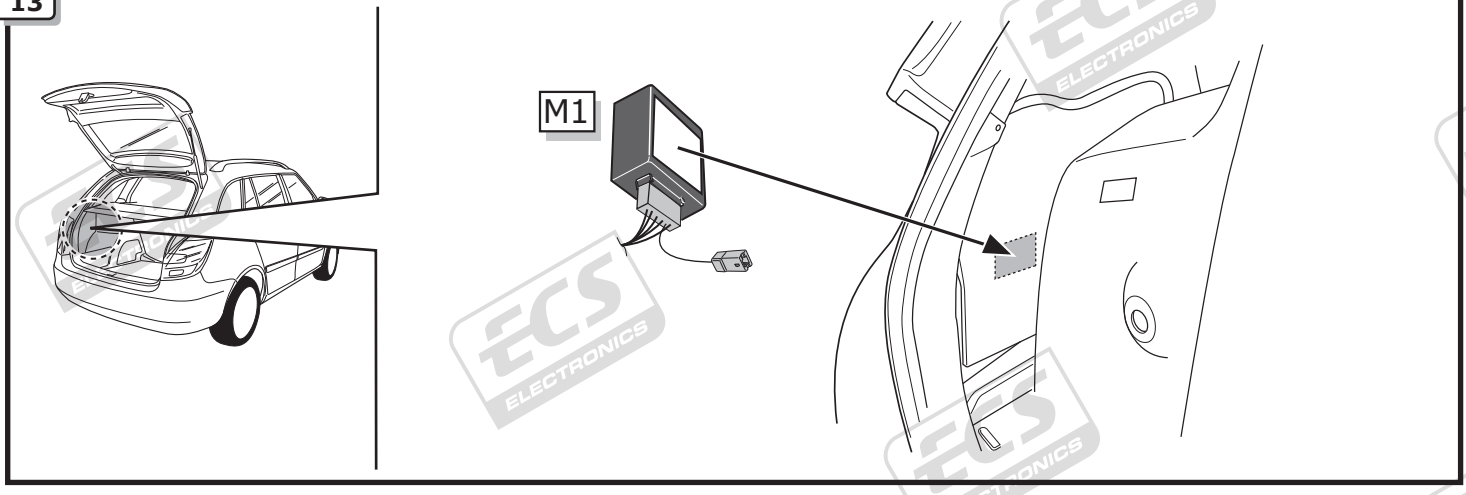
FABIA HB

12



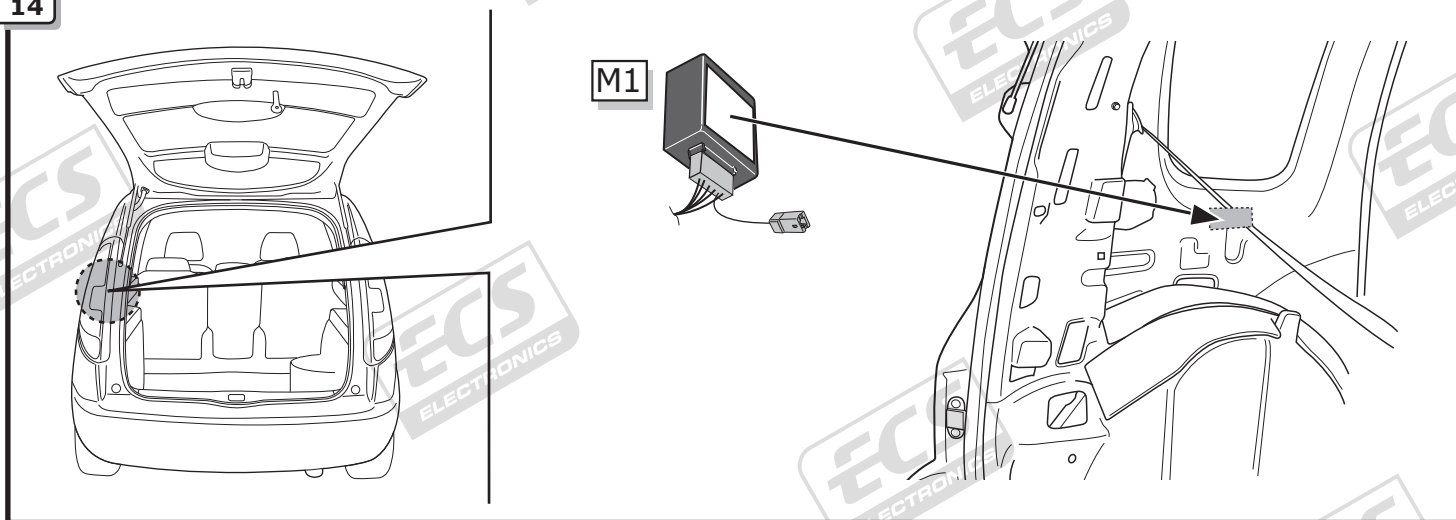
FABIA COMBI

13



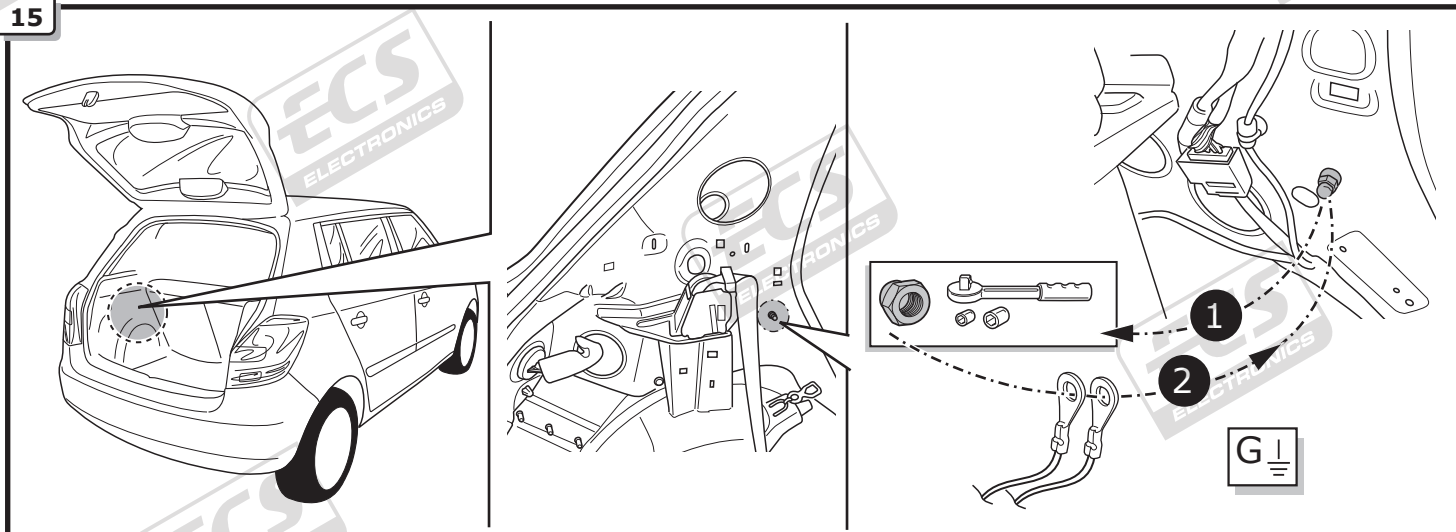
ROOMSTER

14



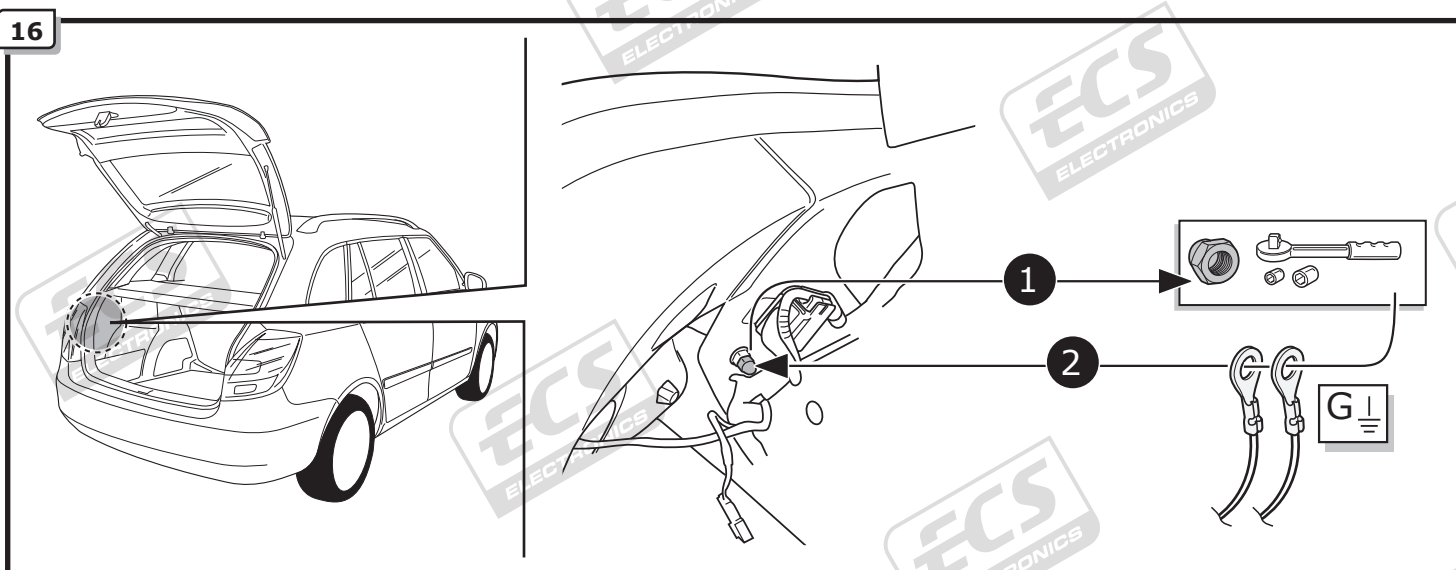
FABIA HB

15



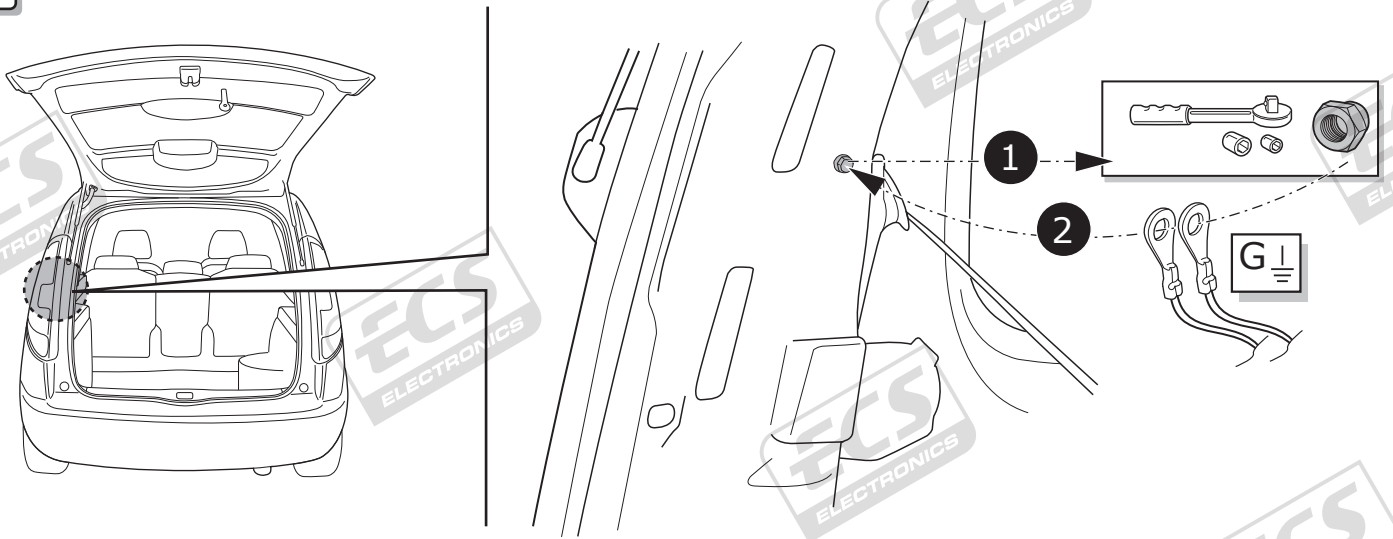
FABIA COMBI

16



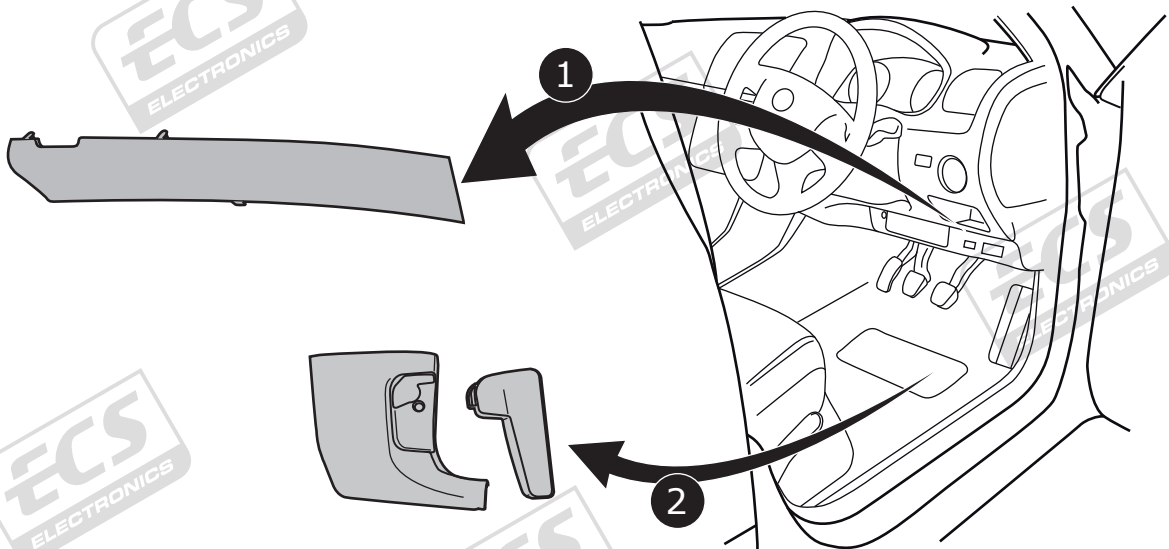
ROOMSTER

17

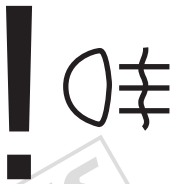


FABIA HB / FABIA COMBI / ROOMSTER

18



19



OPTION A for vehicles with Start & Stop/Automatic Lighting:
fog lamp connection by CAN-Bus



Pag. 11

20 - 21

OPTION B for standard vehicles:
fog lamp connection by relay



Pag. 12

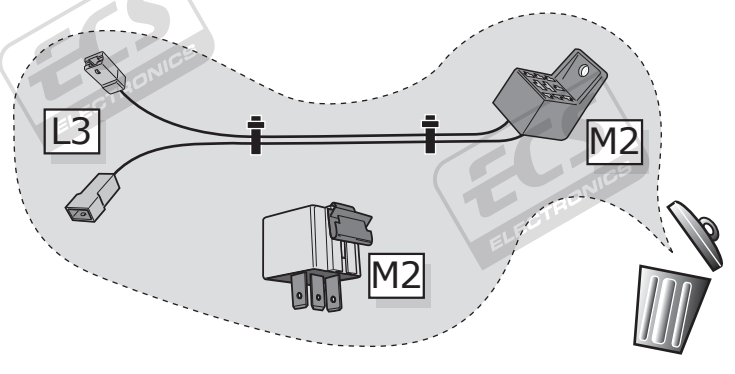
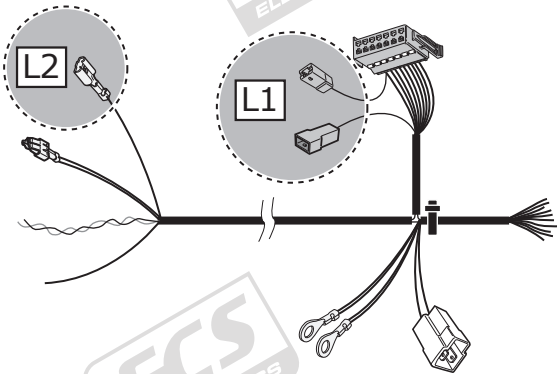
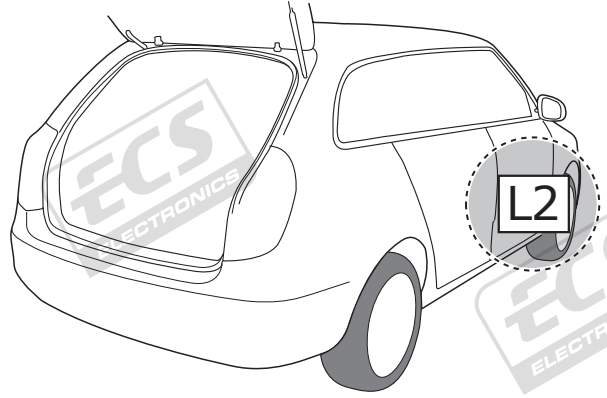
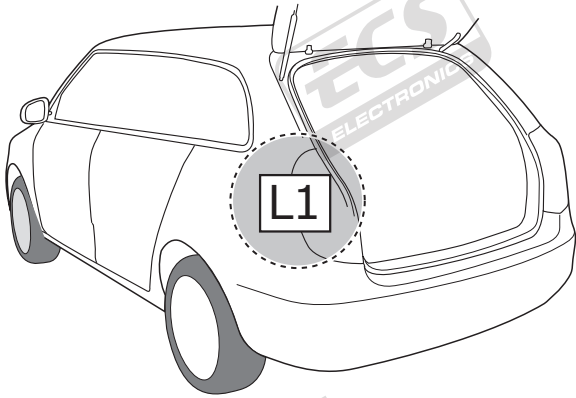
22 - 27

FABIA HB / FABIA COMBI / ROOMSTER

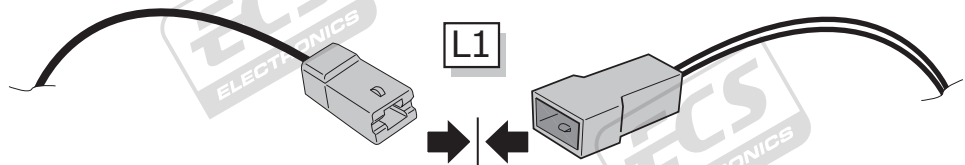
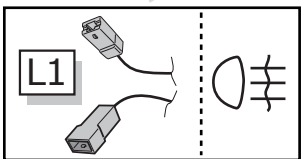
OPTION A for vehicles with Start & Stop/Automatic Lighting: fog lamp connection by CAN-Bus

INFO

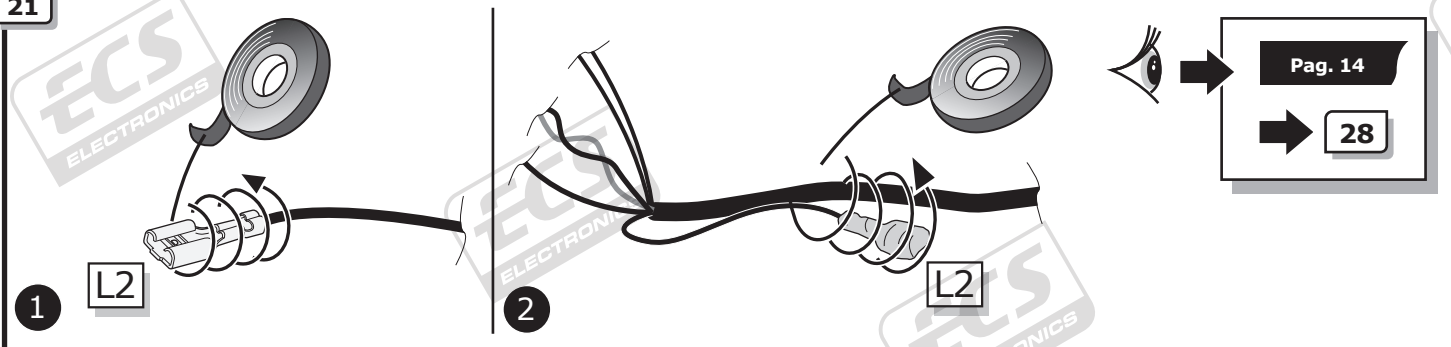
OPTION A



20



21

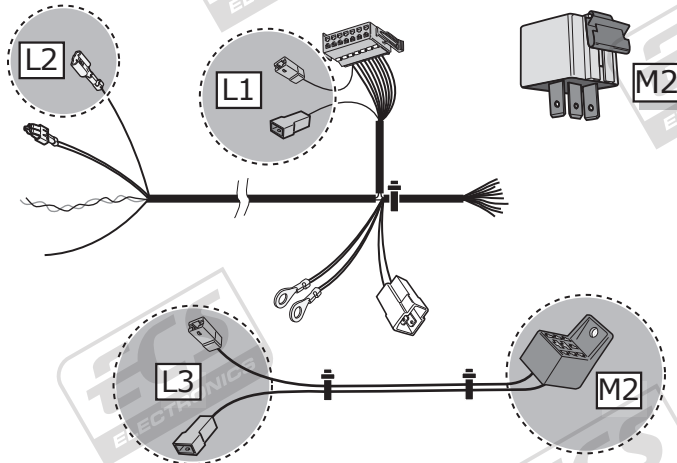
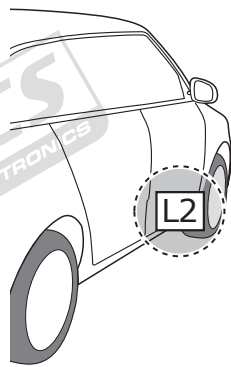
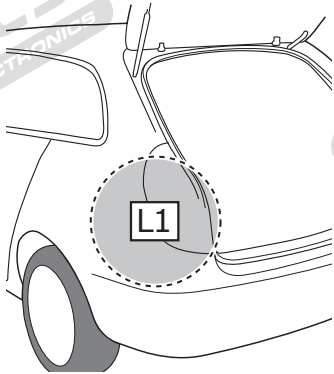


FABIA HB / FABIA COMBI / ROOMSTER

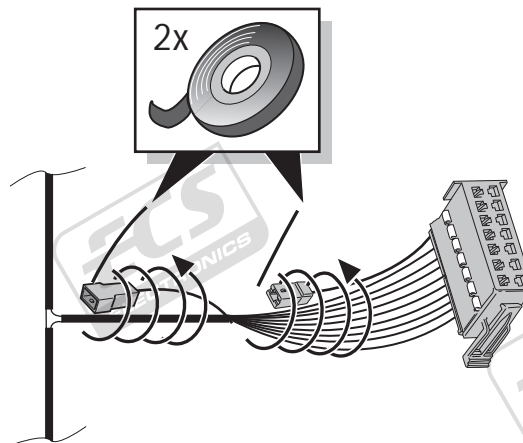
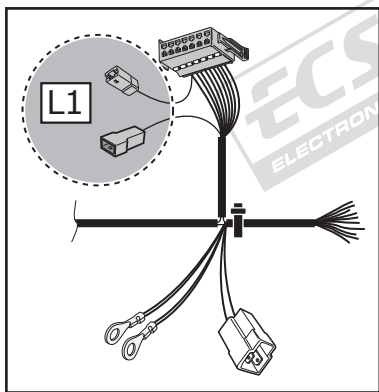
OPTION B for standard vehicles: fog lamp connection by relay

INFO

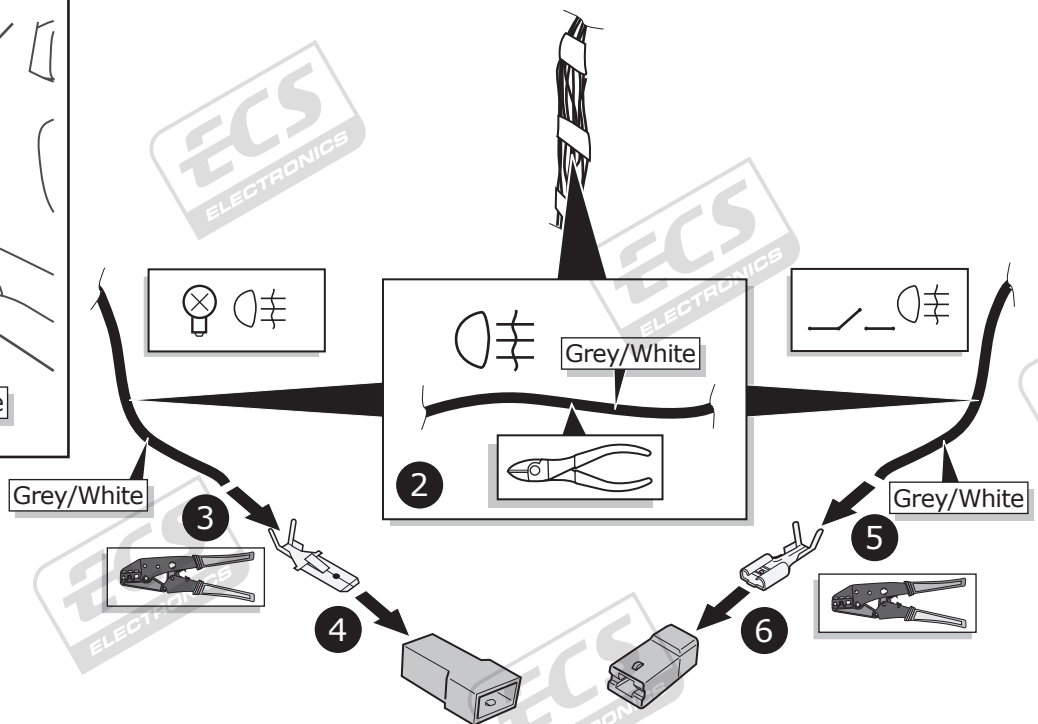
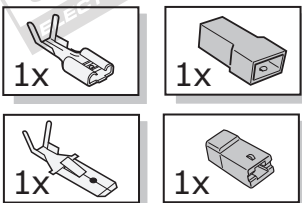
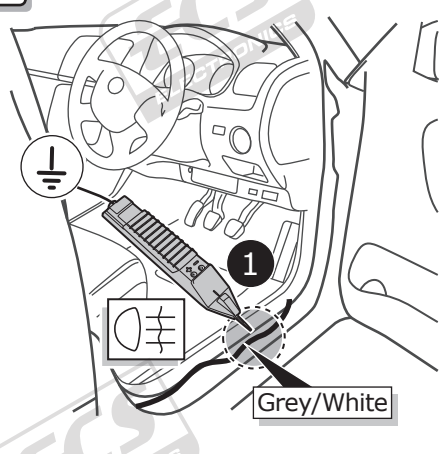
OPTION B



22



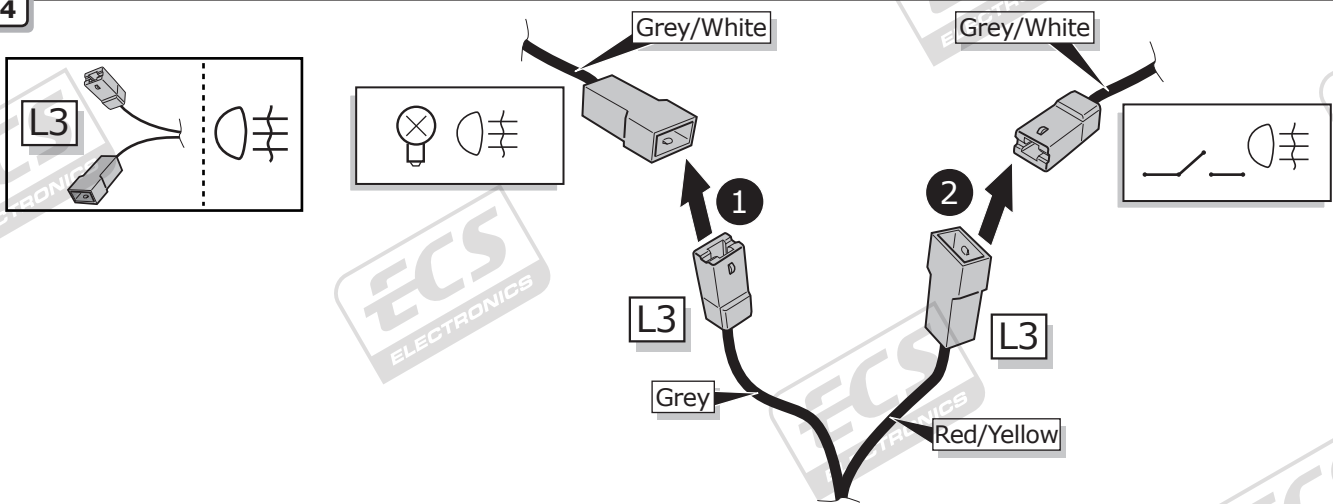
23



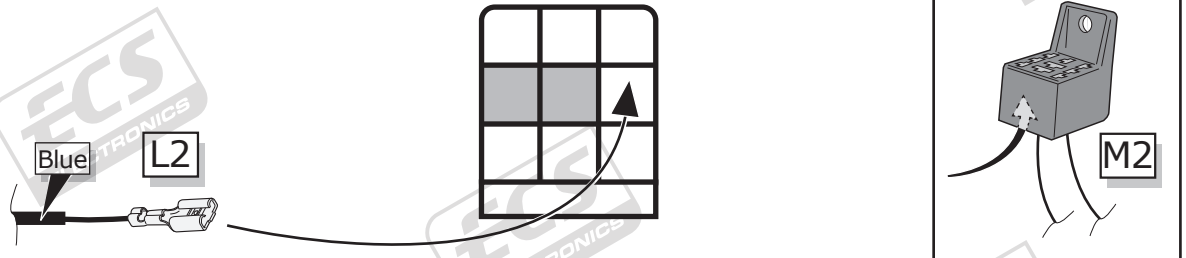
FABIA HB / FABIA COMBI / ROOMSTER

OPTION B for standard vehicles: fog lamp connection by relay

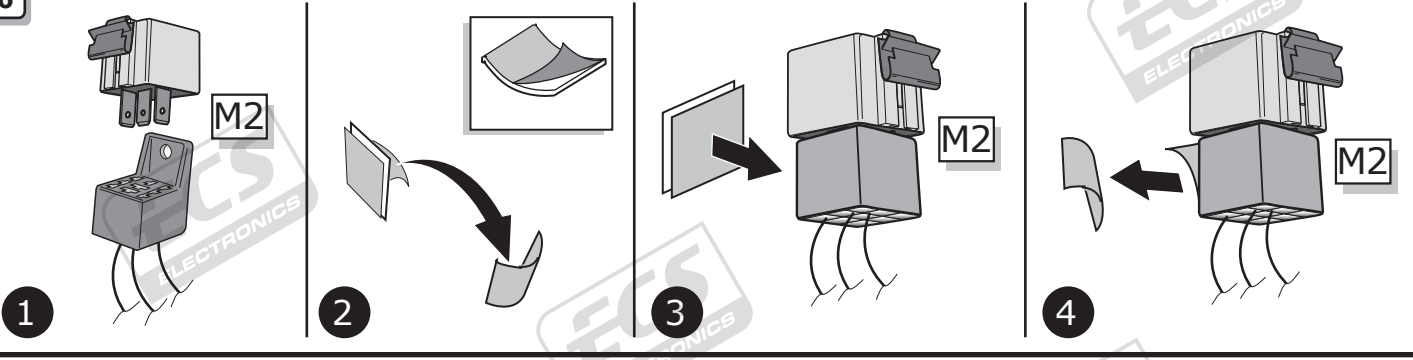
24



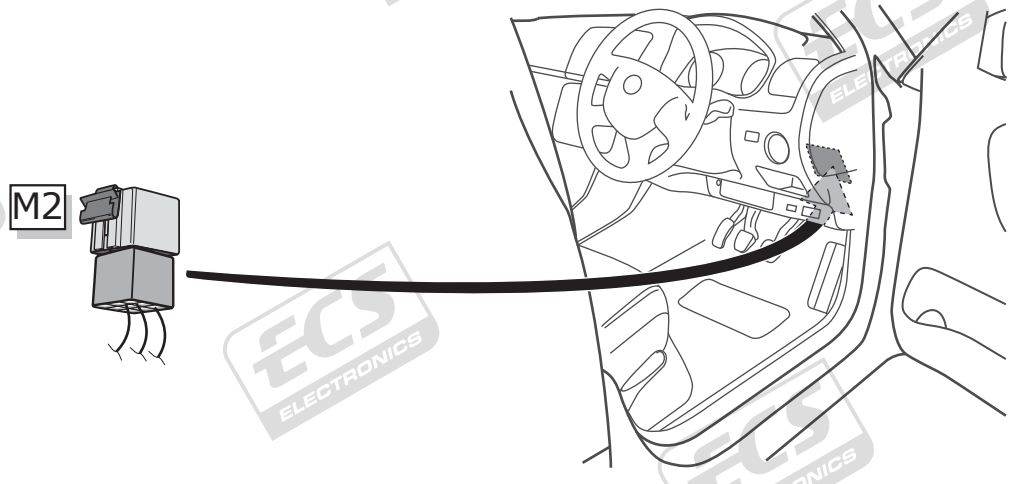
25



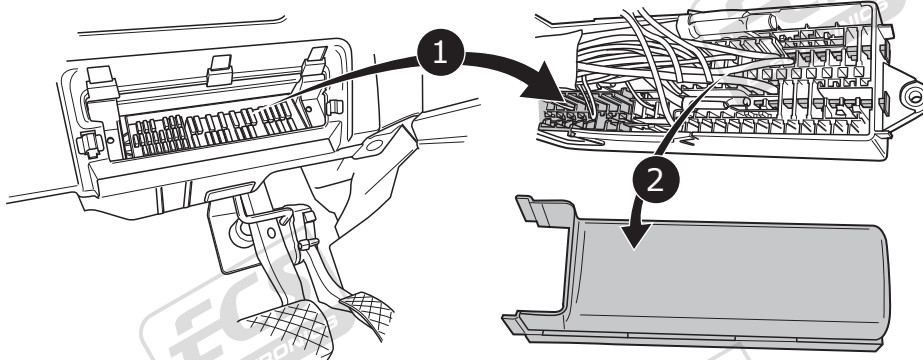
26



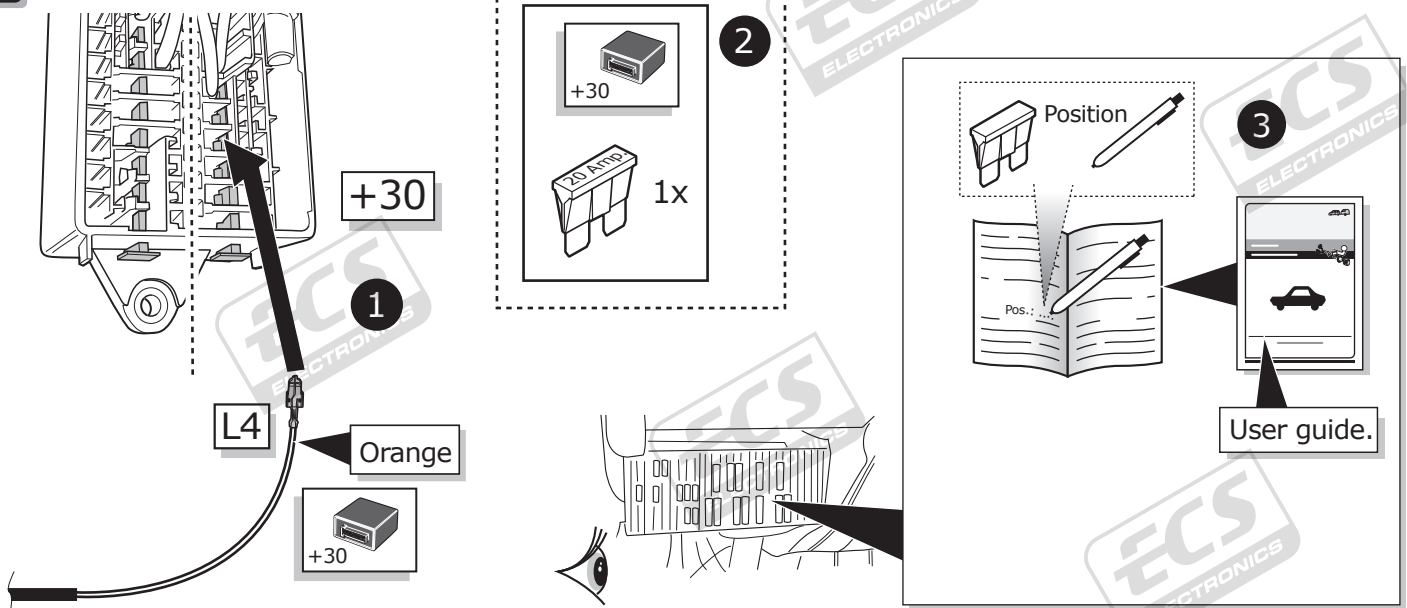
27



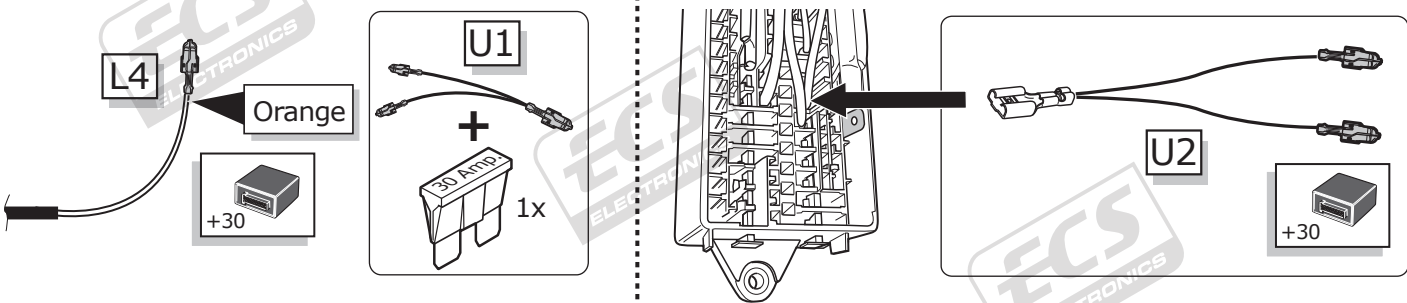
28



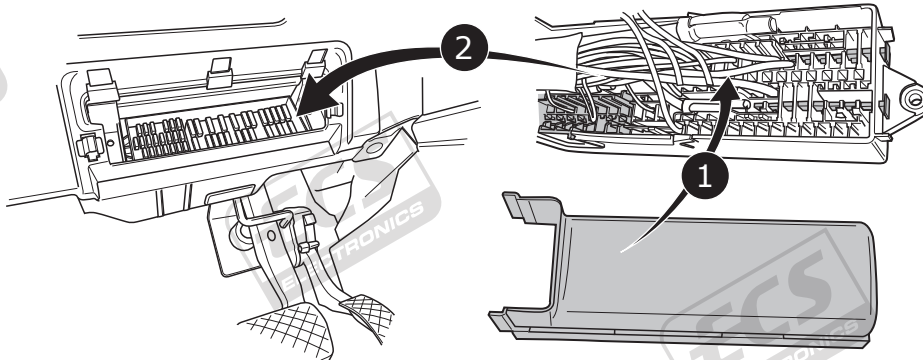
29



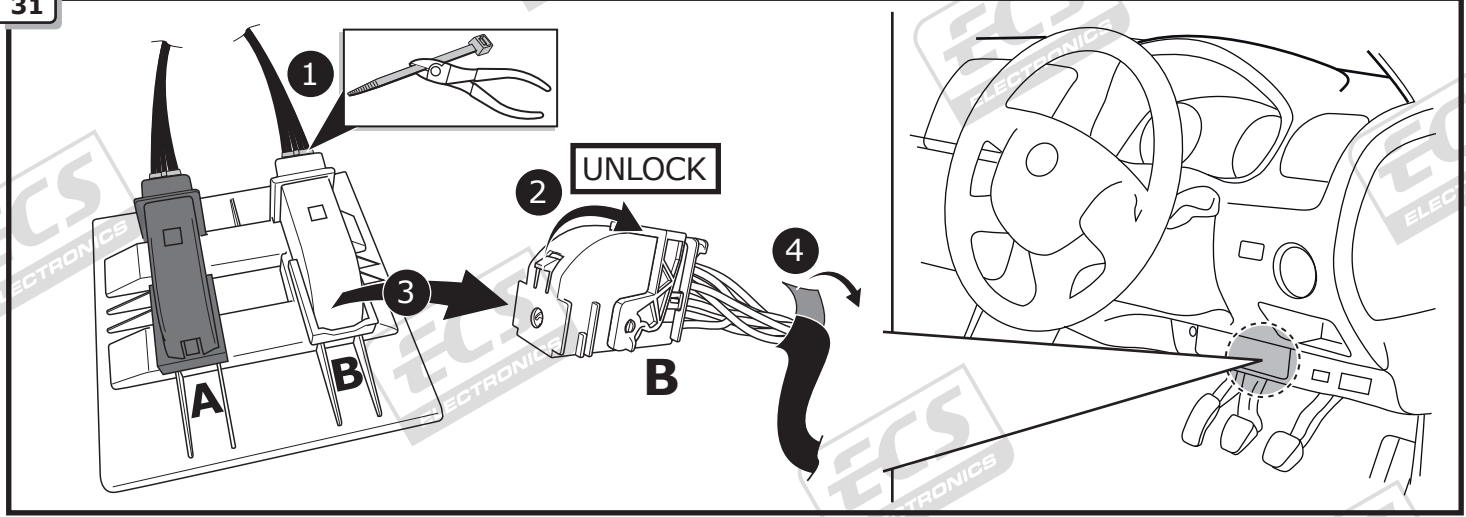
If Positions are taken:



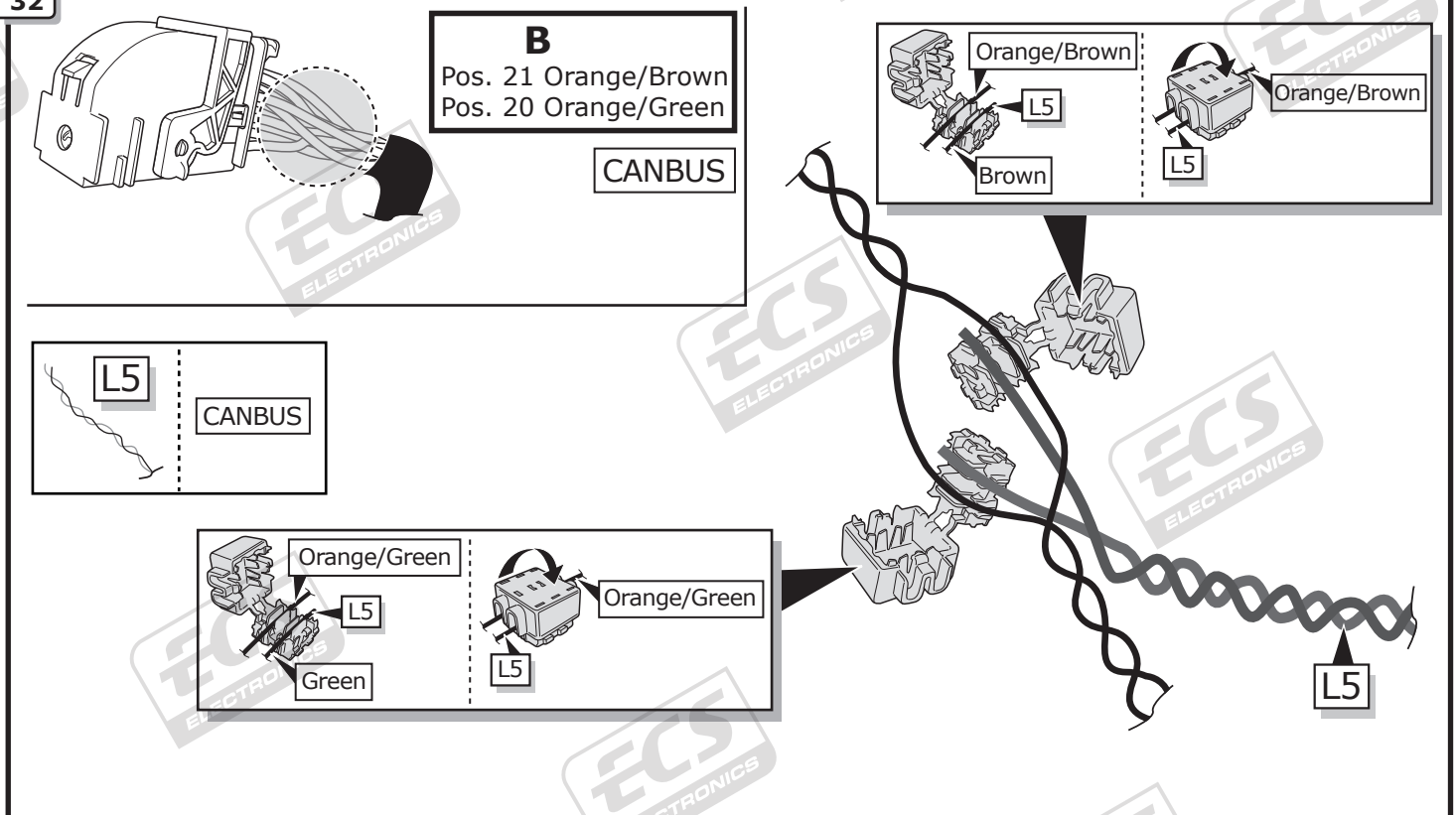
30



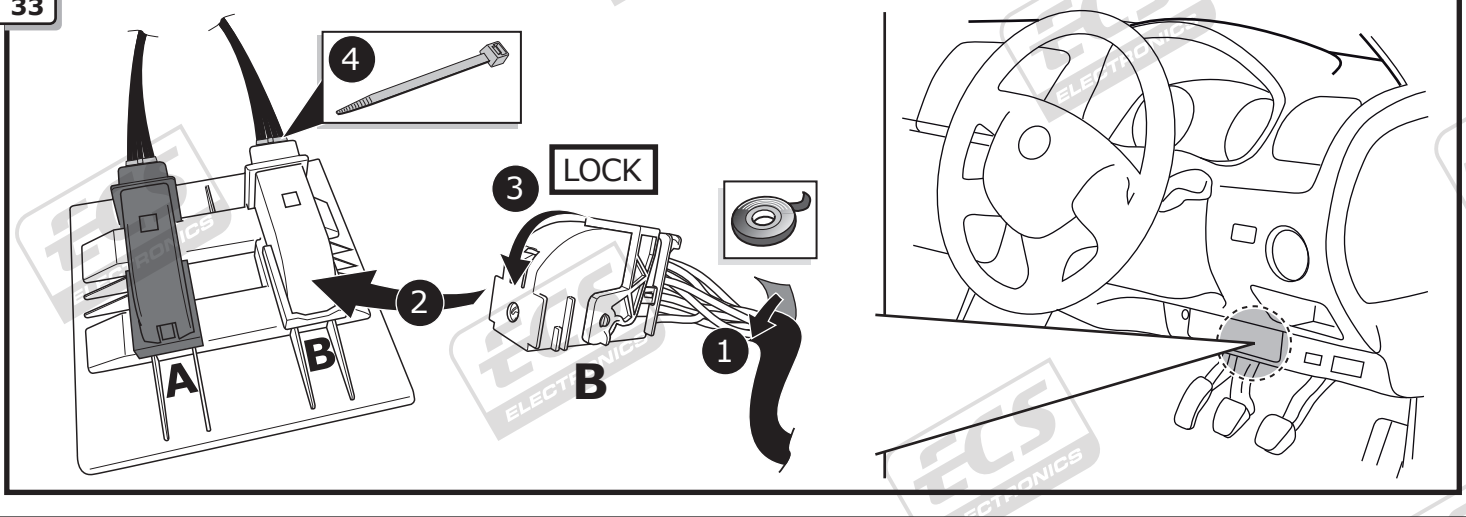
31



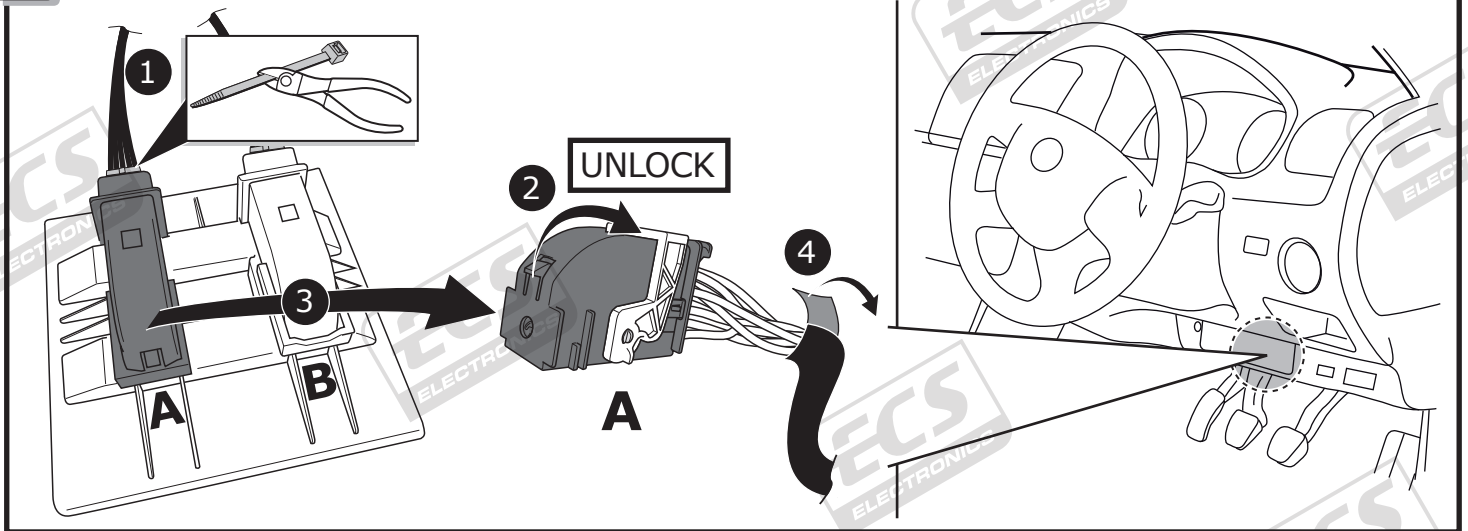
32



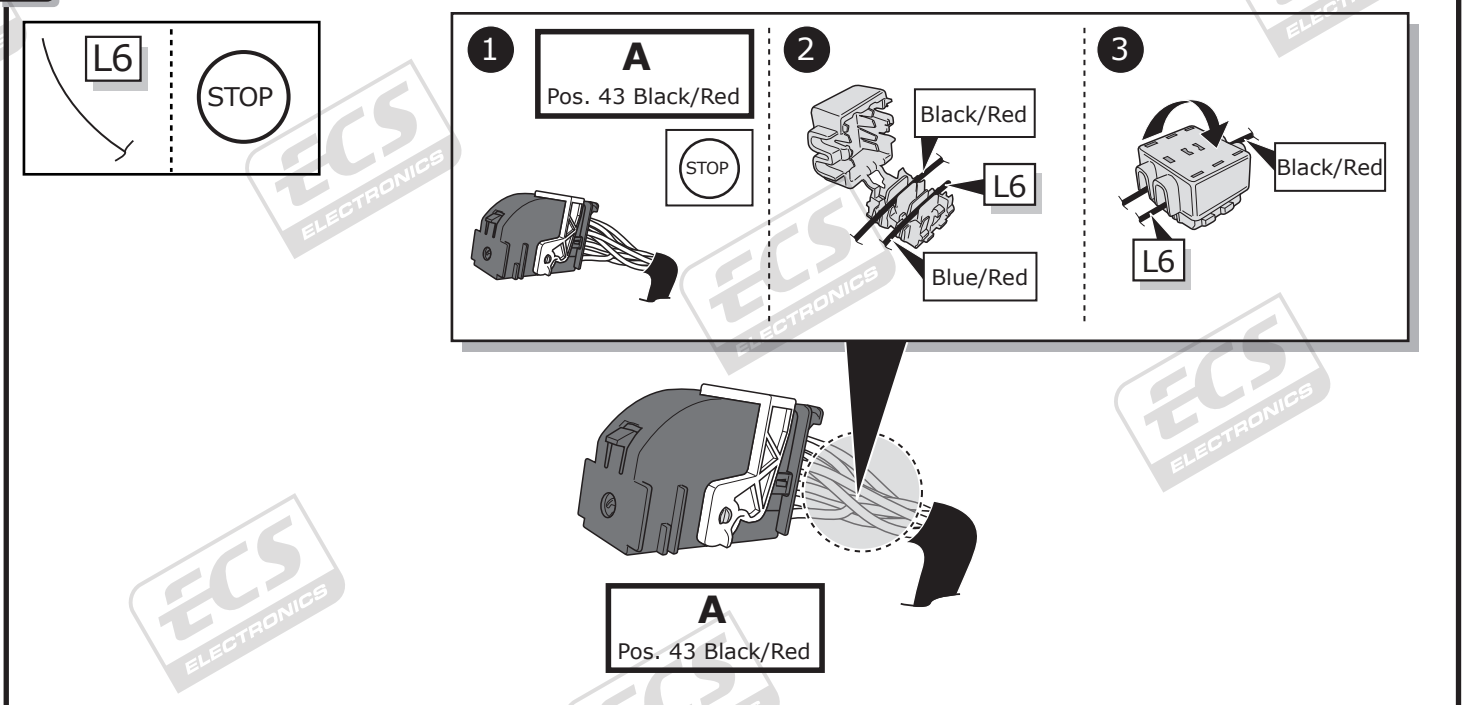
33



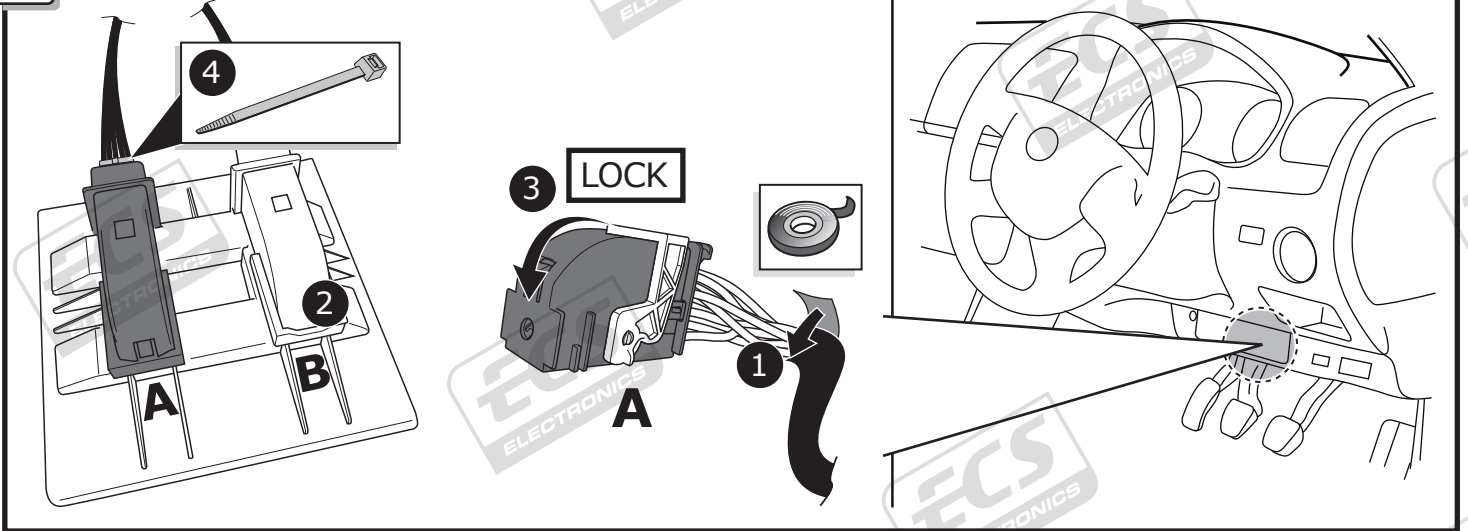
34



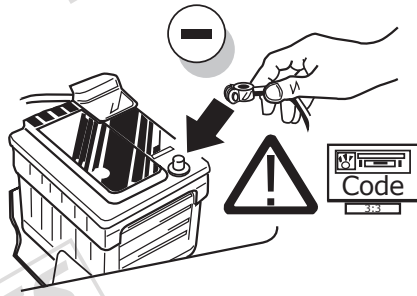
35



36



37



38

A VAG Service Tester must be used to code the vehicle's Gateway with the additional function for the towing hitch at the dealer.

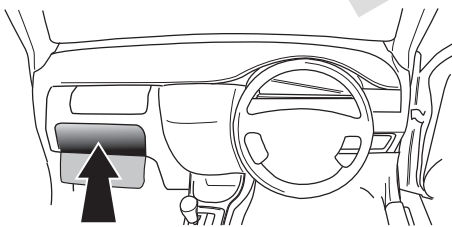
39

! TEST ALL THE CIRCUITS WITH A TEST DEVICE WITH THE CORRECT POWER LOAD FOR EACH FUNCTION. A TEST DEVICE WITH LED'S CANNOT BE USED FOR THIS PURPOSE.

INFO

REINSTALL TRIM.

40



User guide

TECHNICAL SUPPORT

CALL 07440 202 052

ECS ELECTRONICS

MONDAY TO FRIDAY
08.00 - 11.00 am
12.00 - 05.00 pm
technical@ecs-electronics.com
www.ecs-electronicsuk.co.uk

SOCKET CONNECTION

DIN/ISO 11446													
	1/L	2	3/31	4/R	5/58-R	6/54	7/58-L	8	9	10	11	12	13
Pmax	21W	21W		21W	42W	3x21W	42W	21W	180W/15Amp	180W/15Amp			
Colour	Black/ White	Blue	Brown	Black/ Green	Grey/ Red	Black/ Red	Grey/ Black	Black	Red	Yellow	Brown	-	Brown