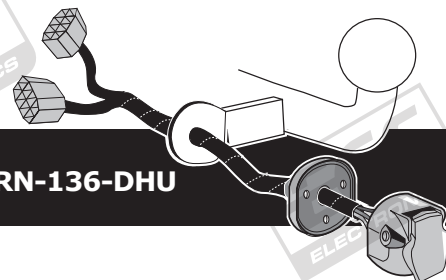


**Renault Scenic 11/2016-
Renault Grand Scenic 12/2016-**

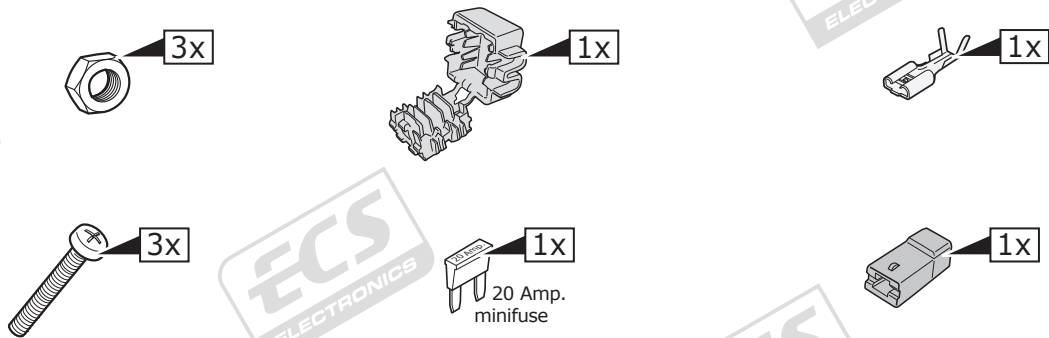
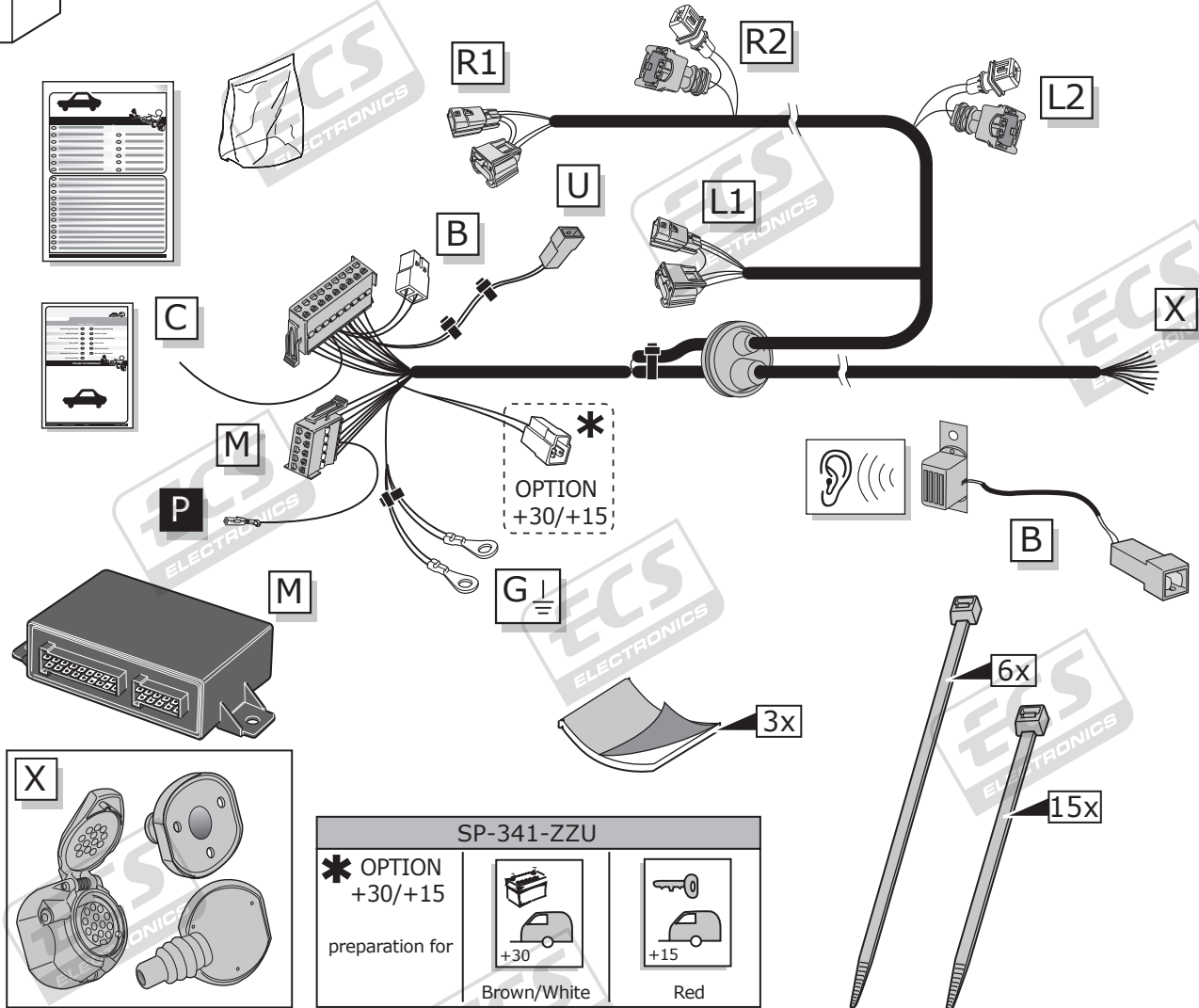
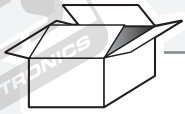
Partnr.: RN-136-DHU



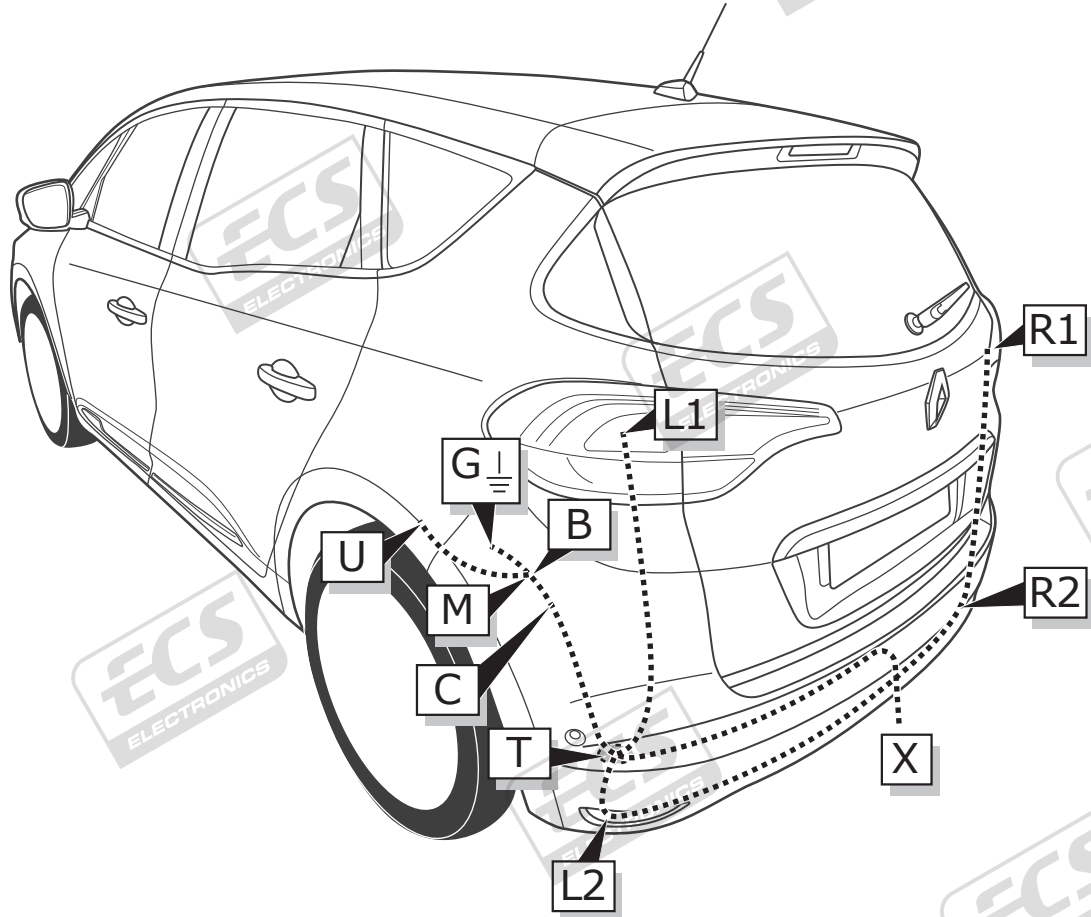
- Fitting instructions electric wiring kit tow bar with 13-P socket up to DIN/ISO Norm 11446.
- We would expressly point out that assembly not carried out properly by a competent installer will result in cancellation of any right to damage compensation, in particular those arising by virtue of the product liability act.
- Contents of these kits and their fitting manuals are subject to alteration without notice, please ensure that these instructions are read and fully understood before commencing installation.
- Do not overload circuits; the maximum loads per connection are detailed in this manual.
- Attention! Before Installation, please read this manual carefully and inform your customer to consult the vehicle owners manual to check for any vehicle modifications required before towing.
- In the event of functional problems, troubleshooting must be limited to about 0.5 hours, contact the technical support:
t.skinner@ecs-electronics.com / 07440 202 052.



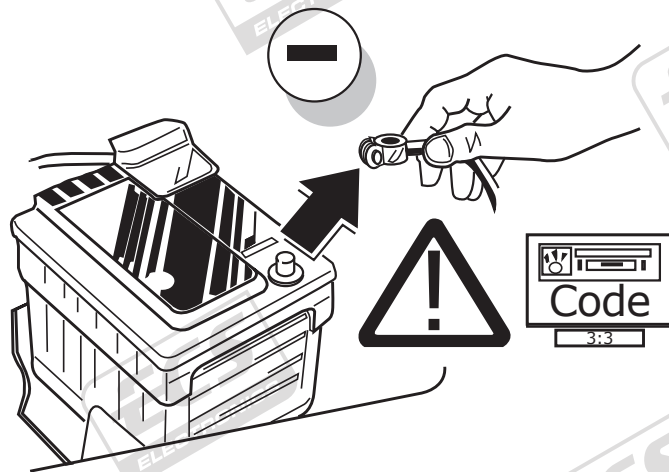
Part list



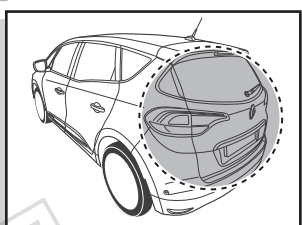
ROUTING



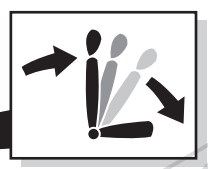
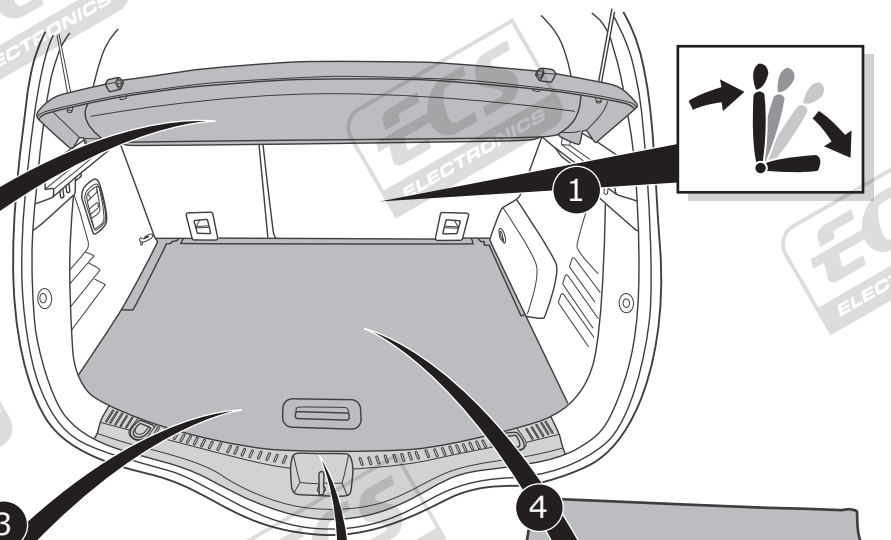
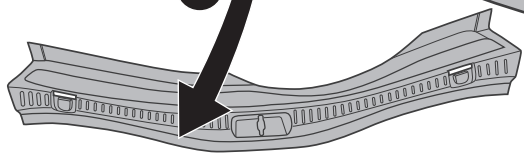
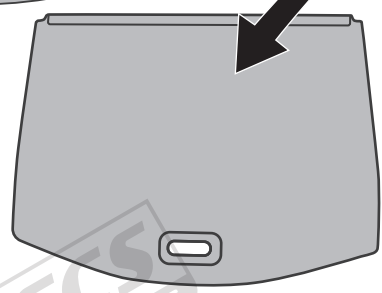
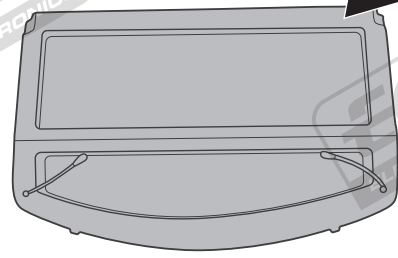
1



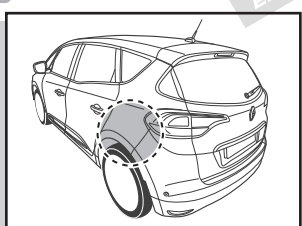
2



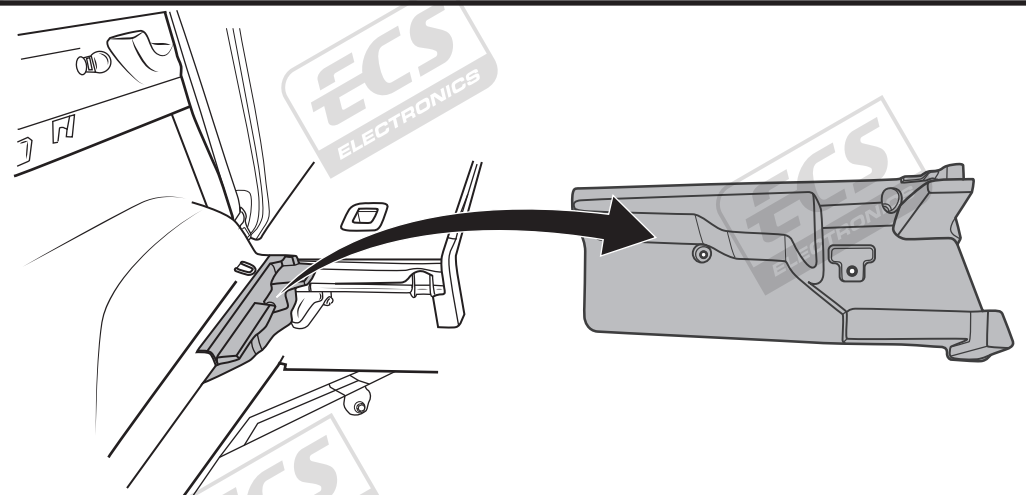
Scenic



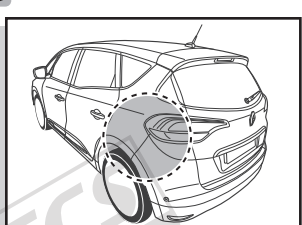
3



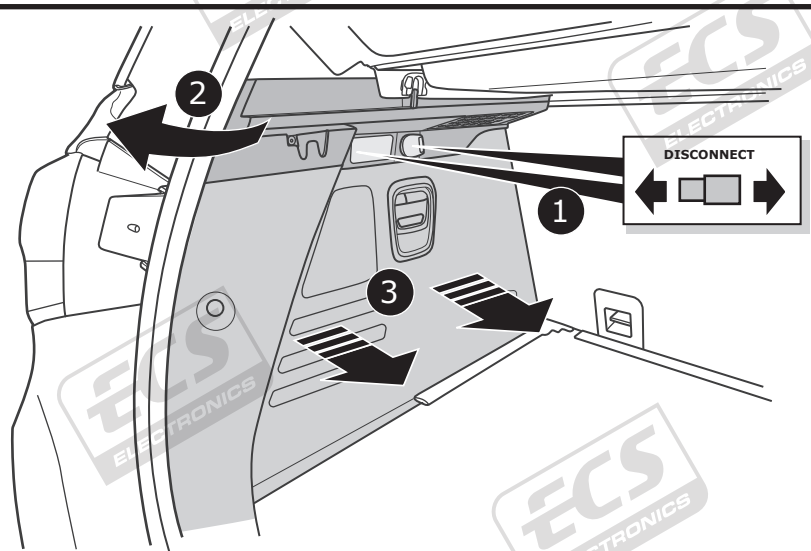
Scenic



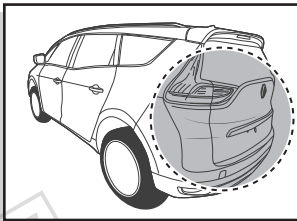
4



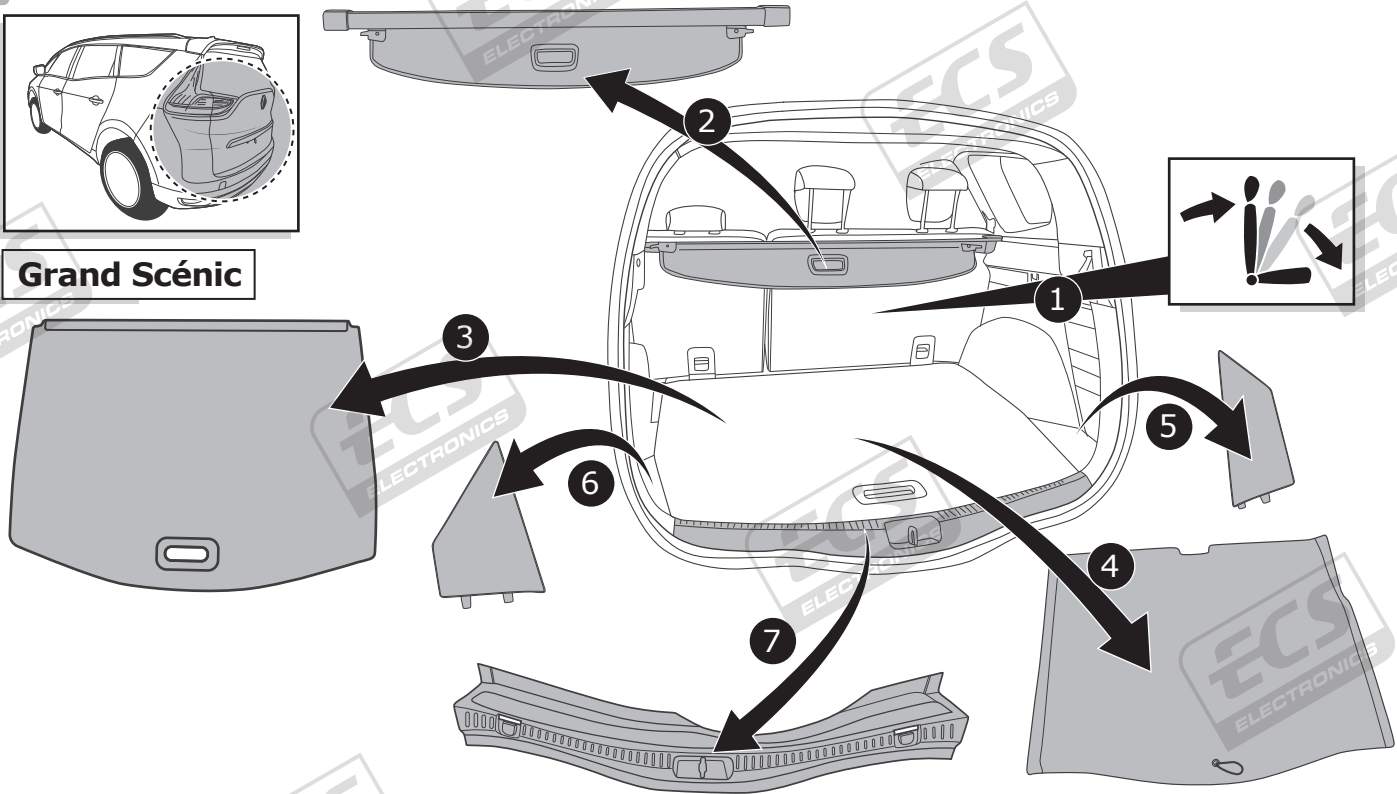
Scenic



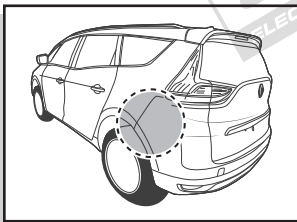
5



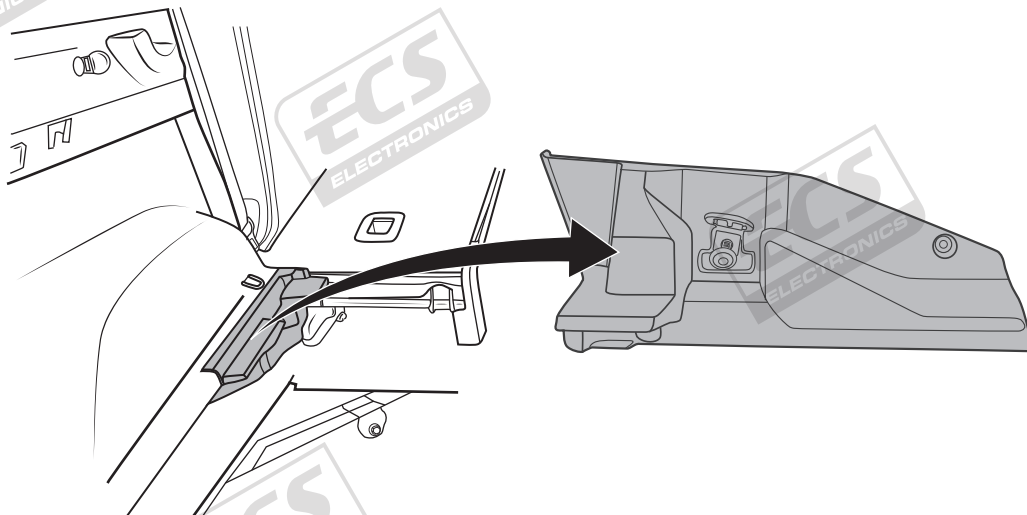
Grand Scenic



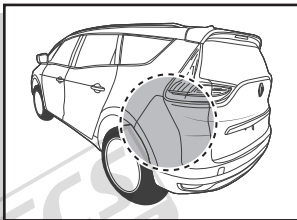
6



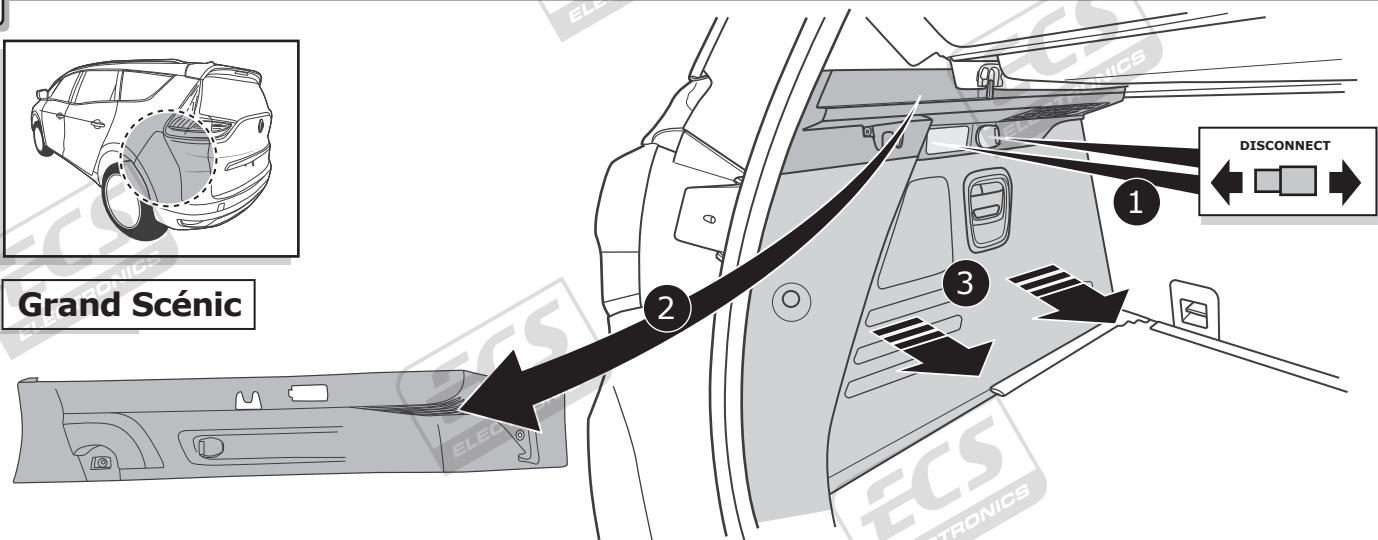
Grand Scenic

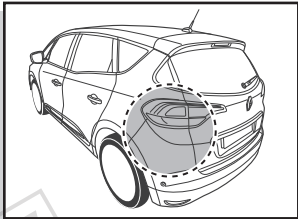


7

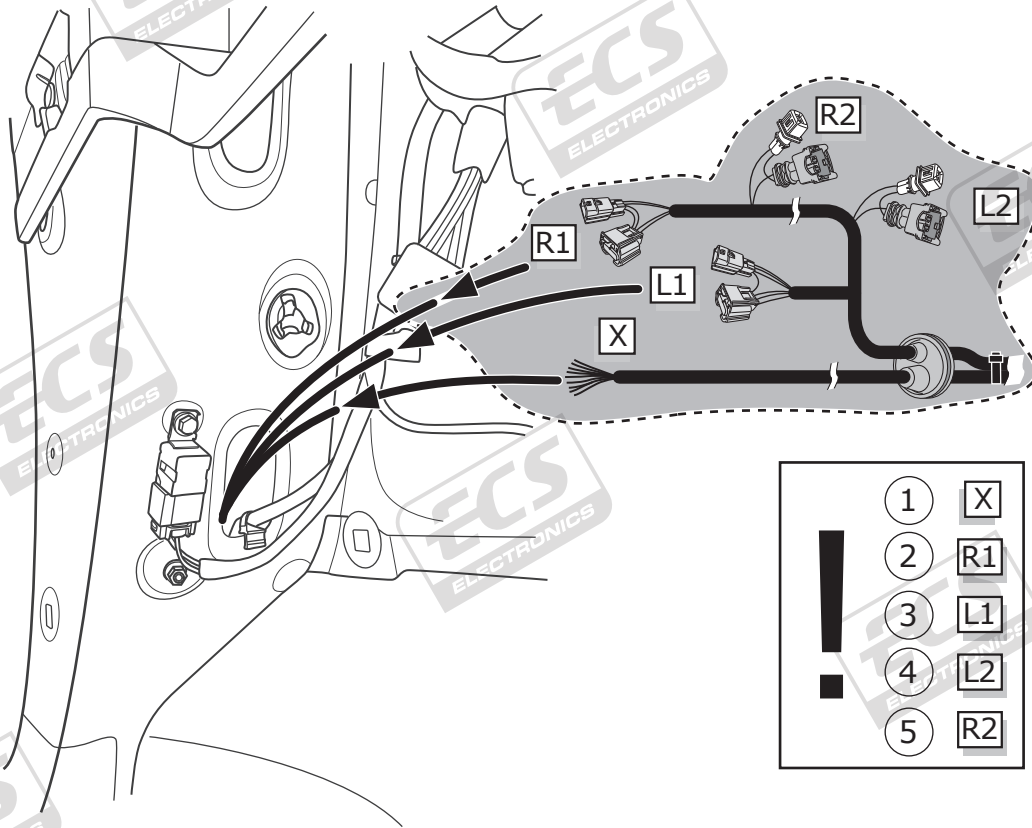


Grand Scenic

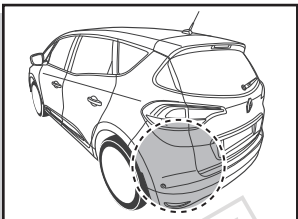




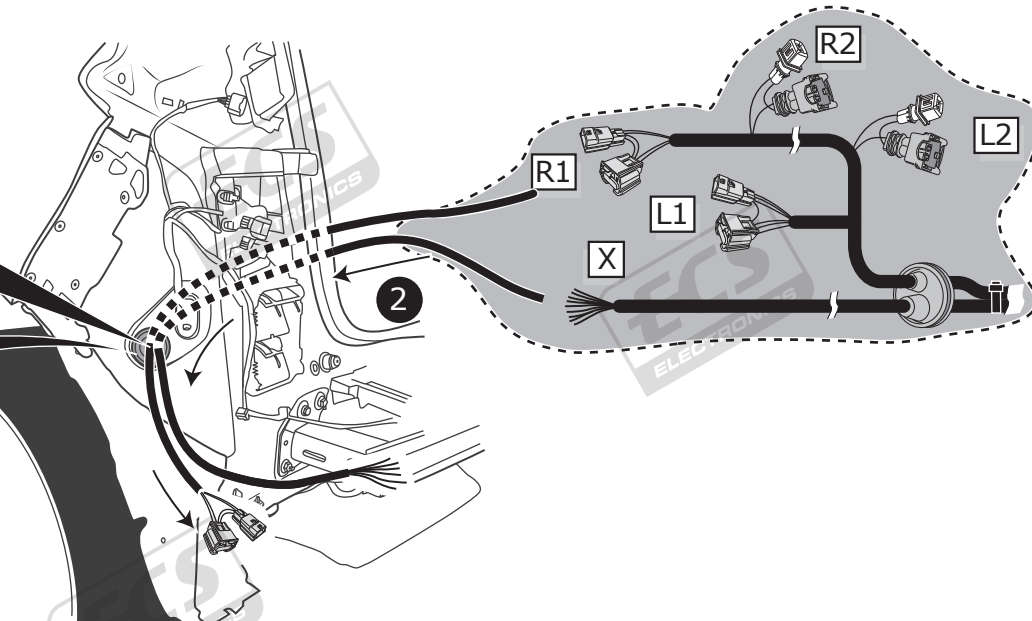
Scénic

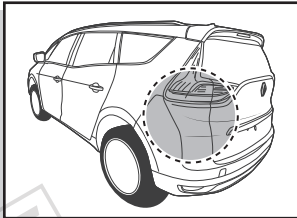


| | |
|---|----|
| 1 | X |
| 2 | R1 |
| 3 | L1 |
| 4 | L2 |
| 5 | R2 |

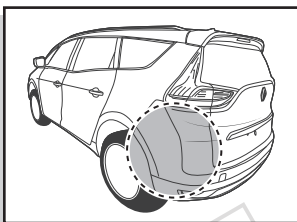
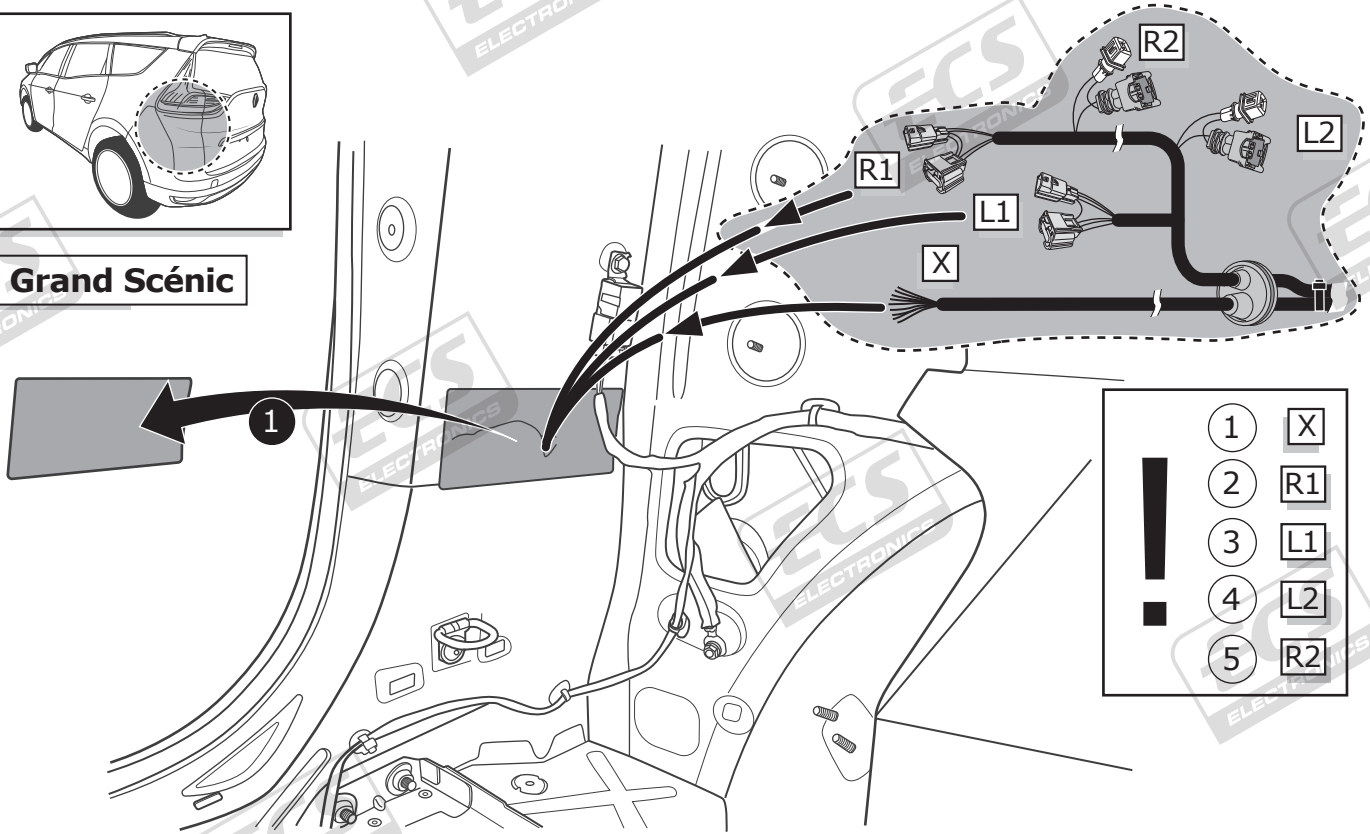


Scénic

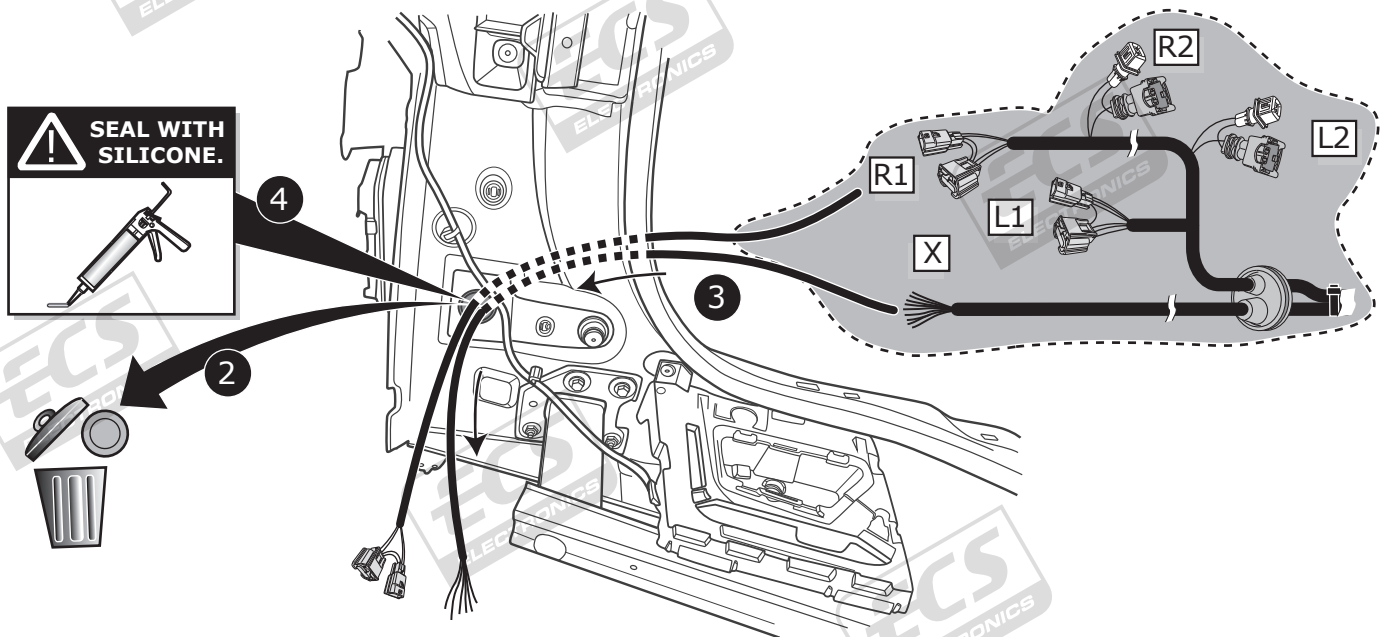


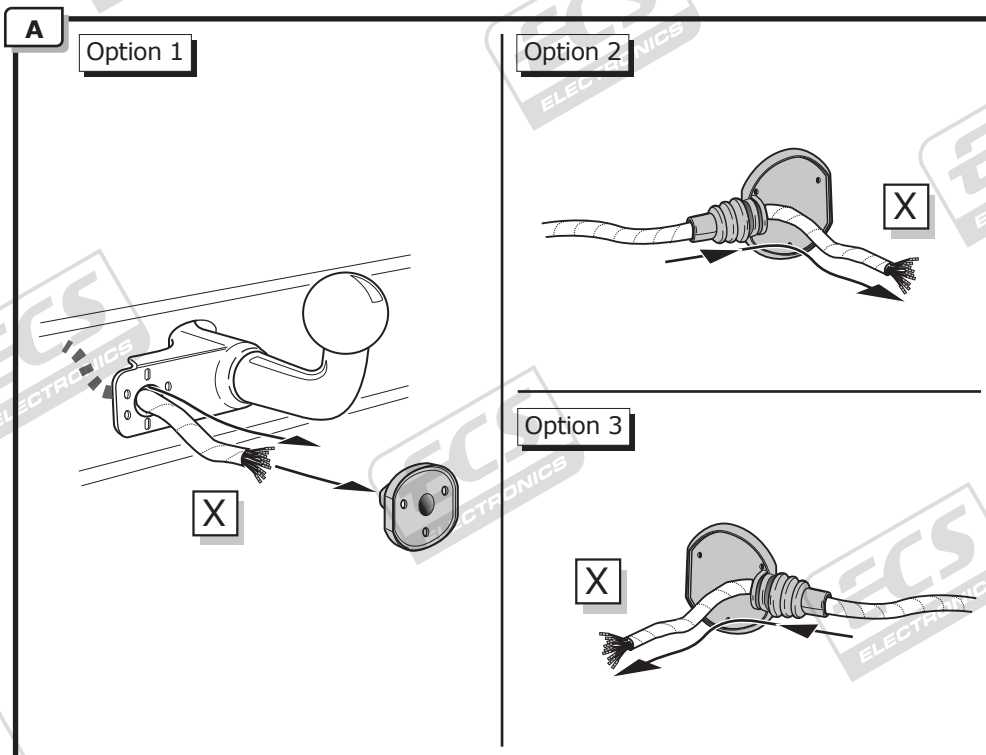


Grand Scenic



Grand Scenic

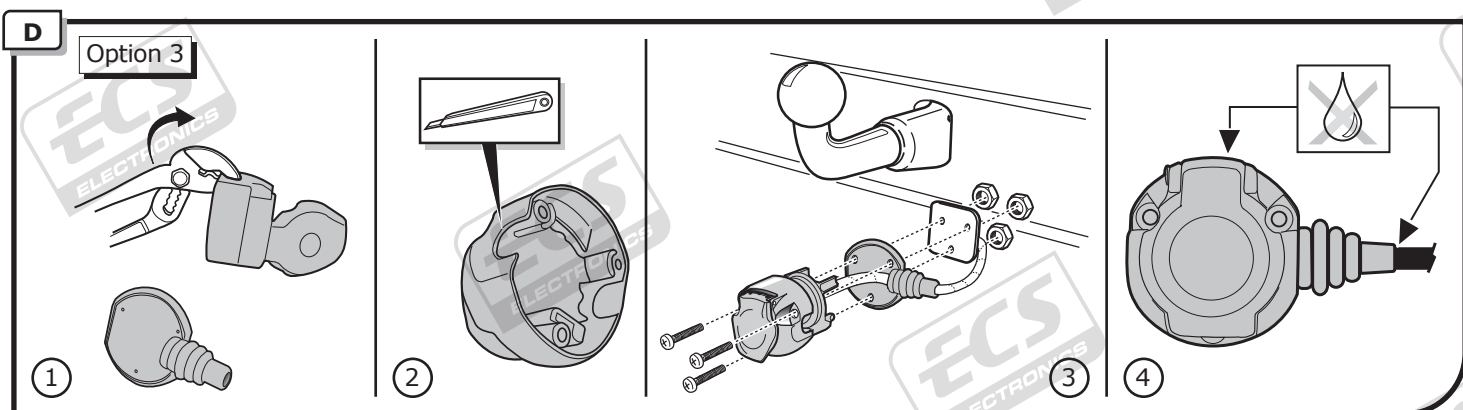
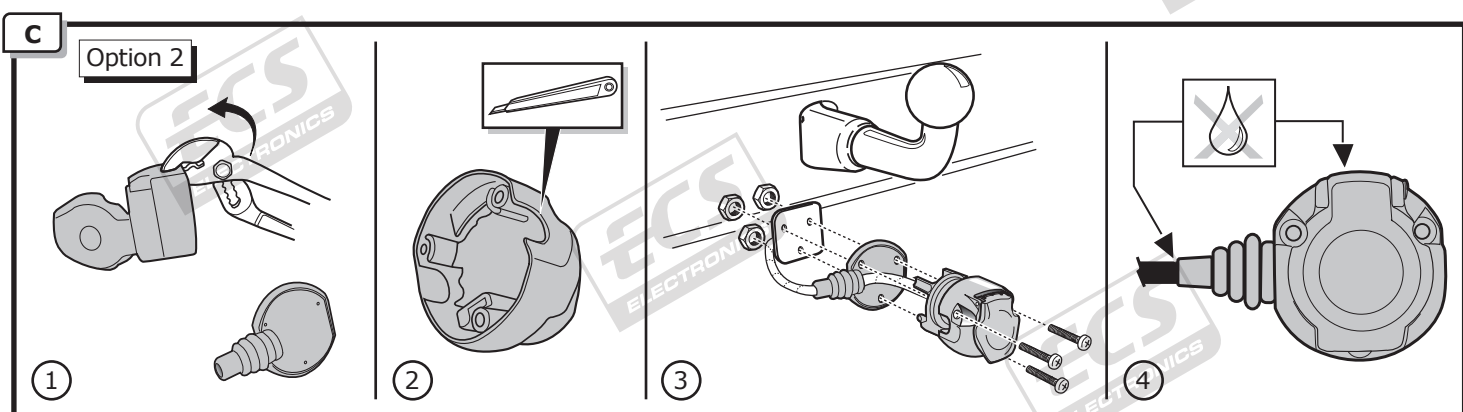
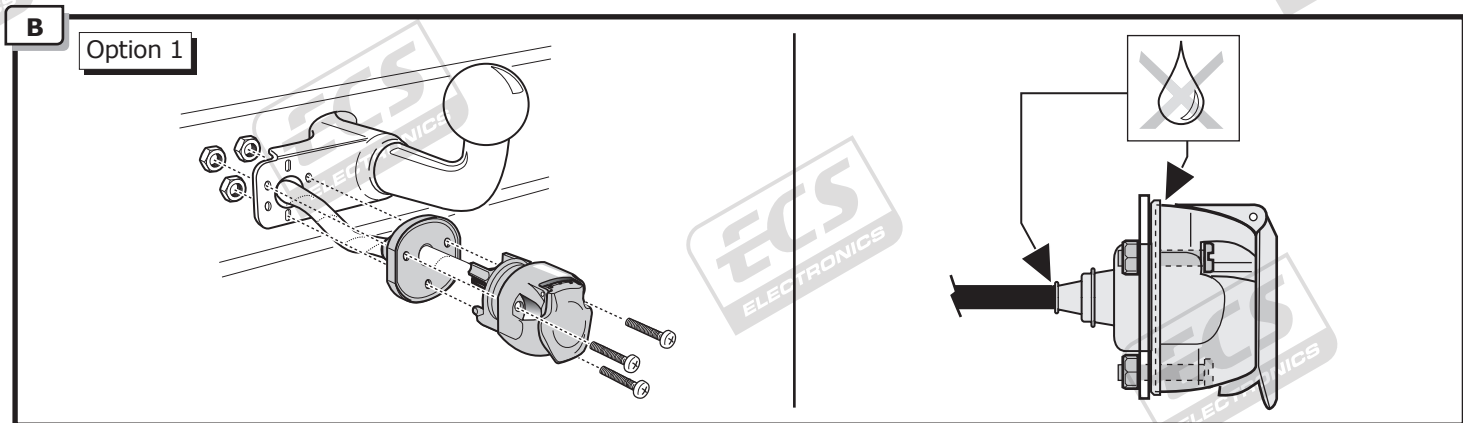




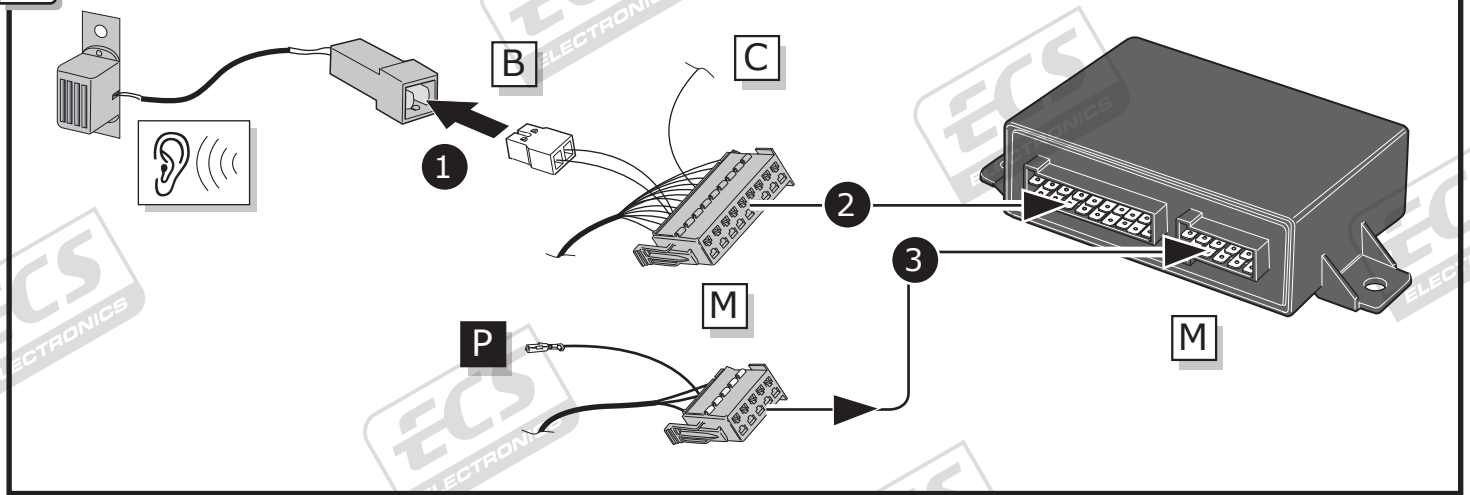
INFO

SOCKET CONNECTION

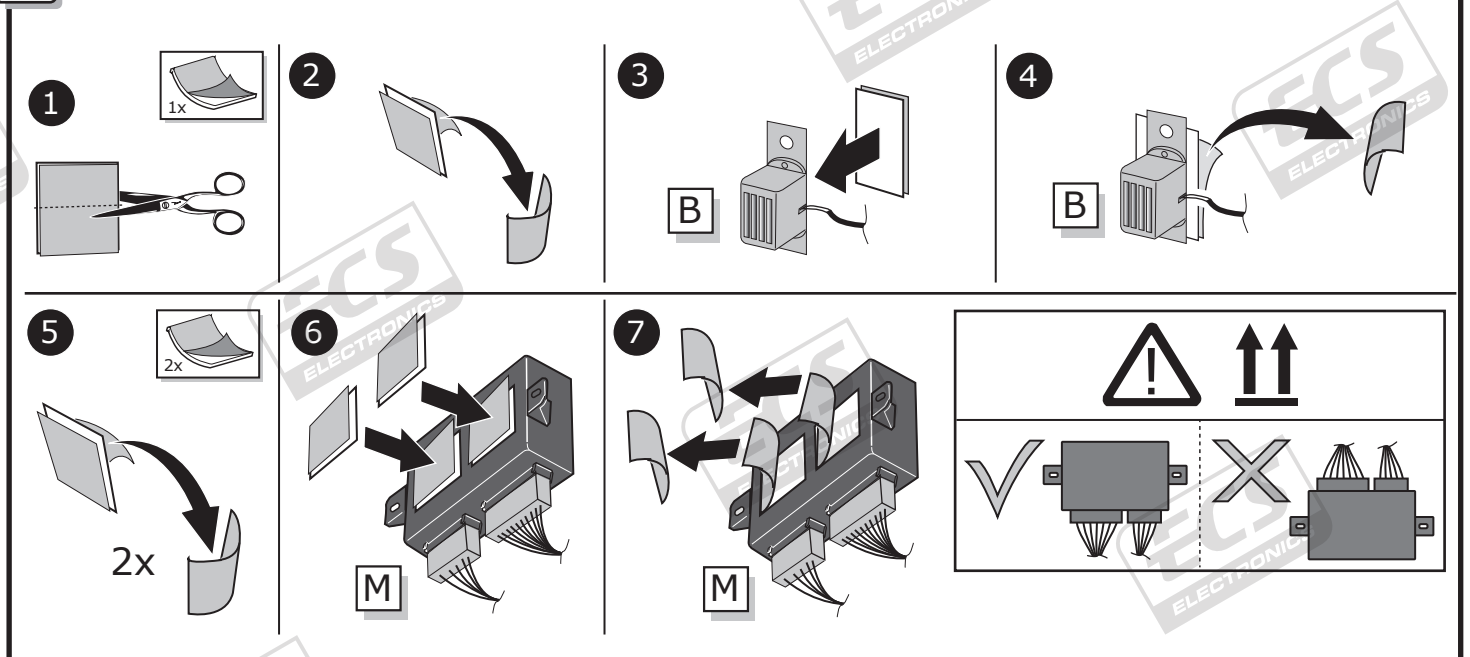
Pag. 17



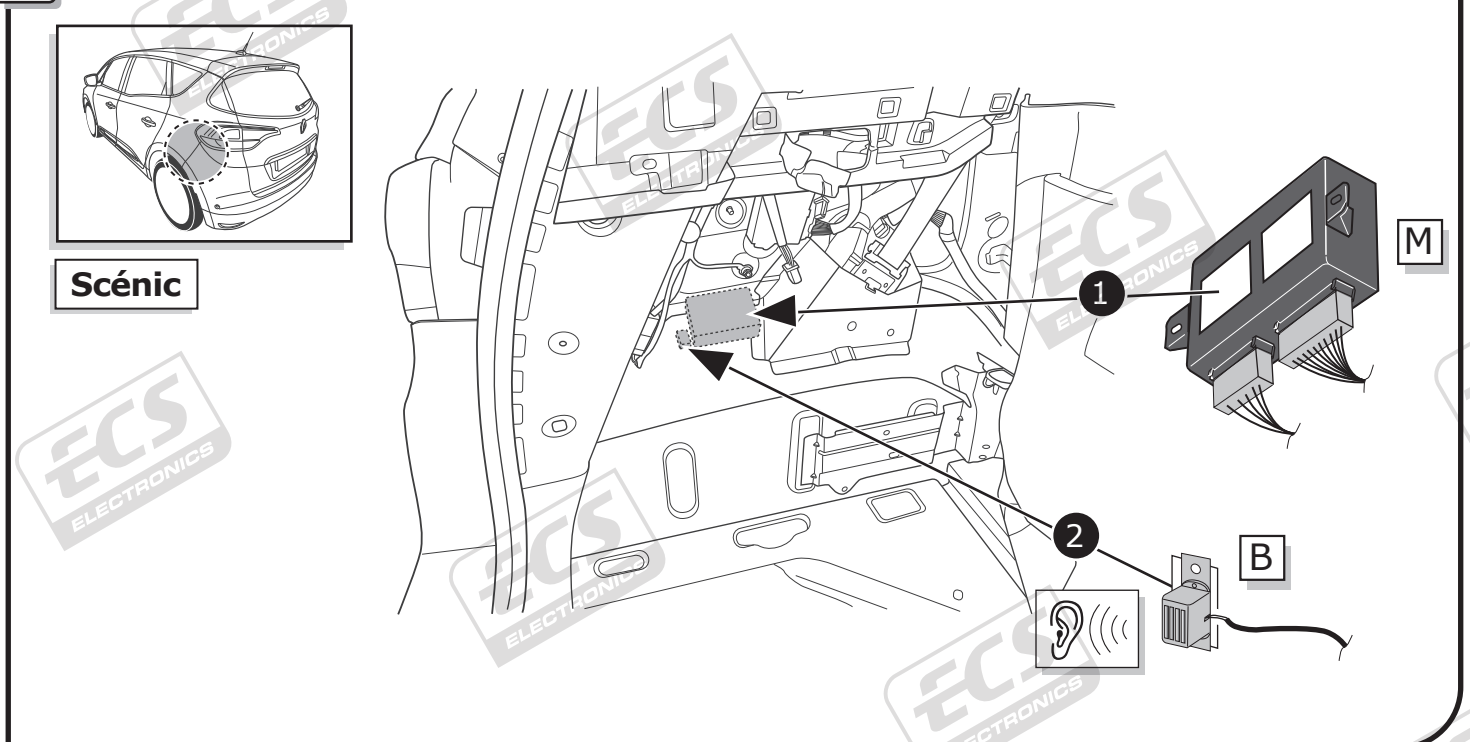
10



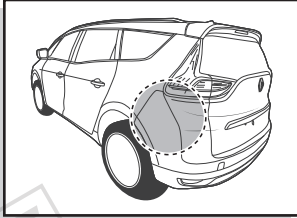
11



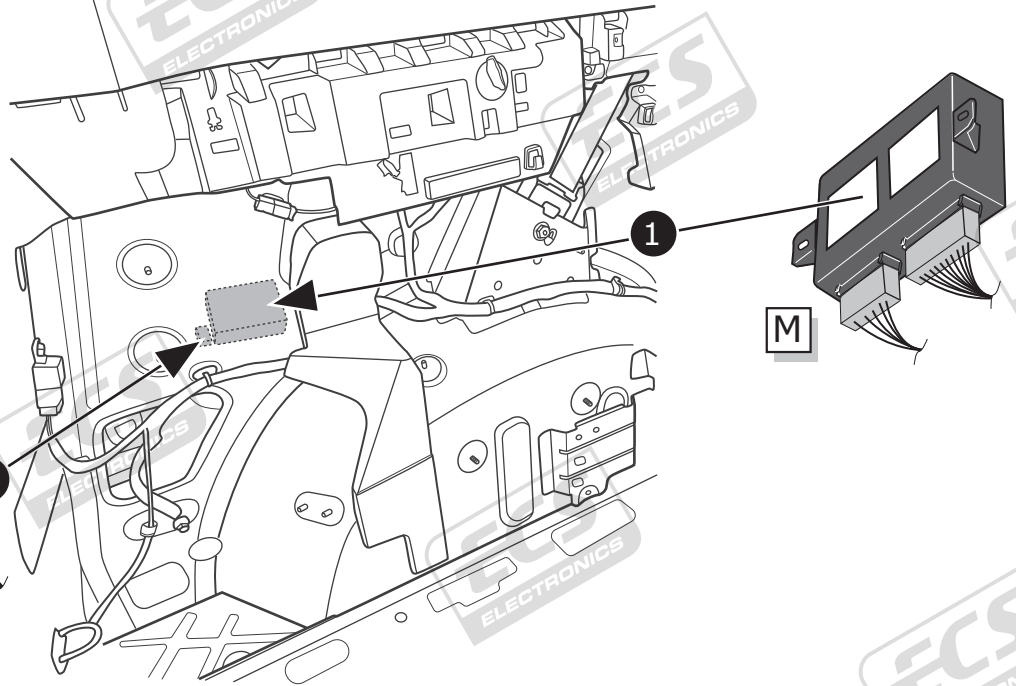
12



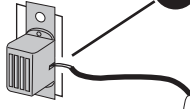
13



Grand Scenic



B

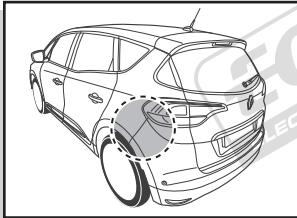


2

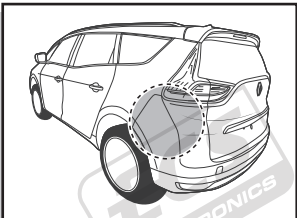
1

M

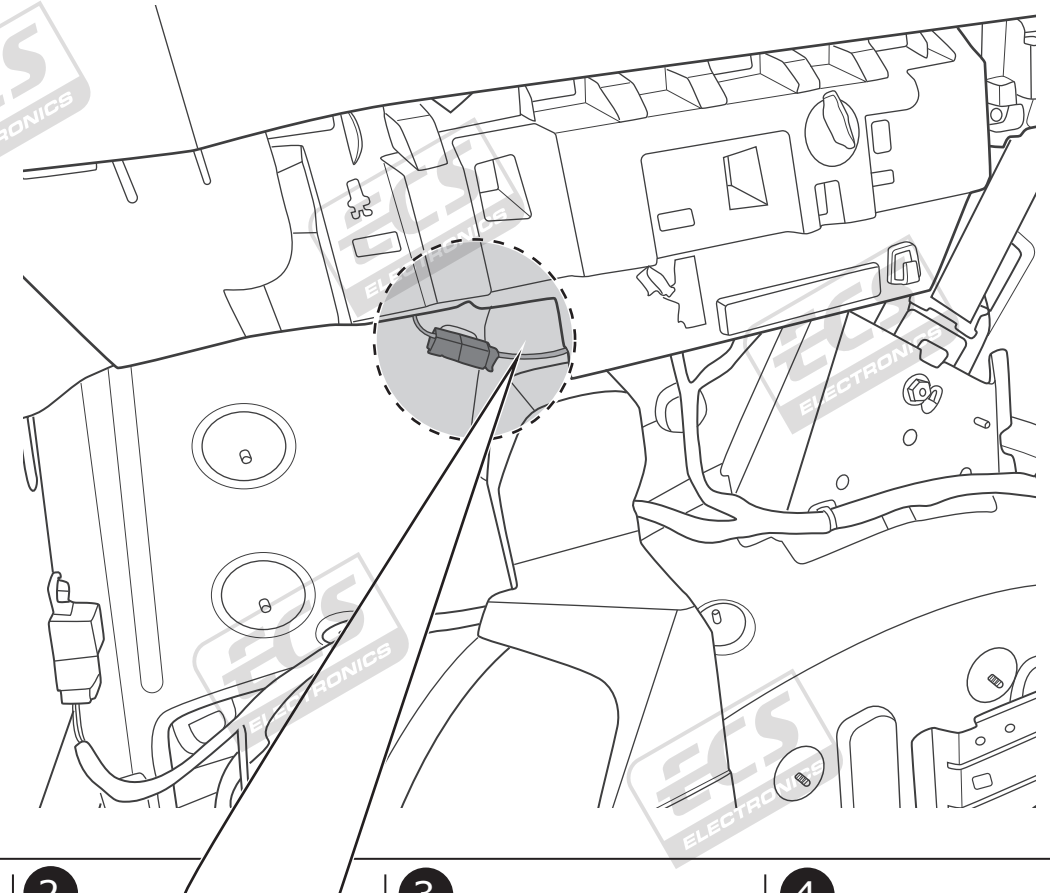
14



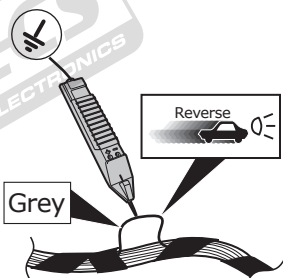
Scenic



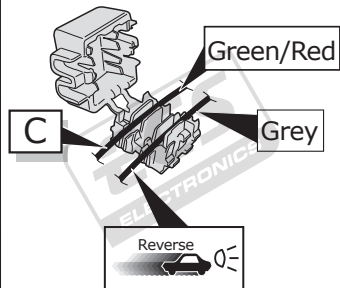
Grand Scenic



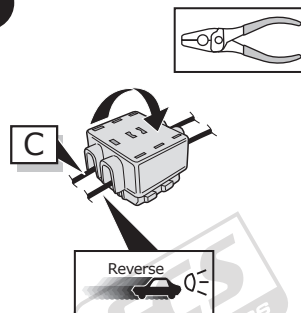
1



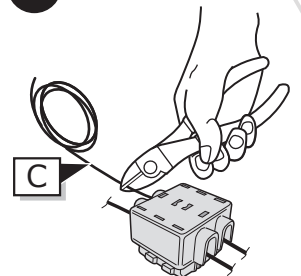
2



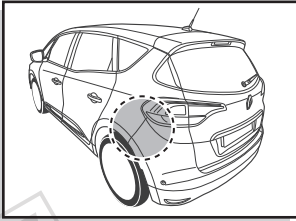
3



4

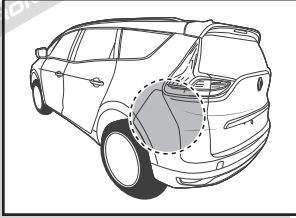


15

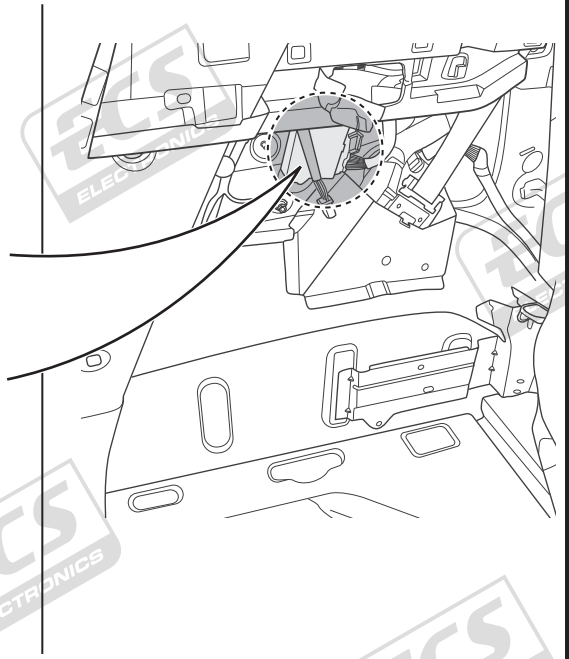
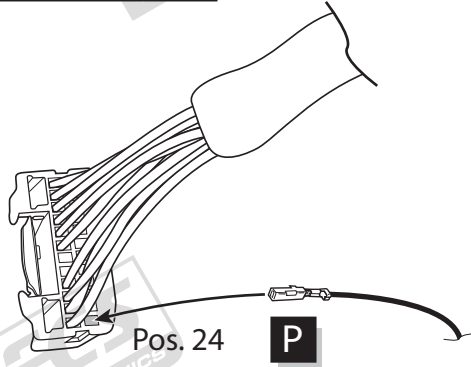


PDC system

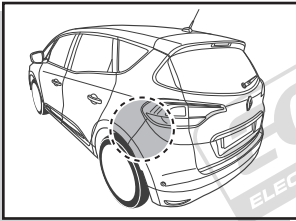
Scénic



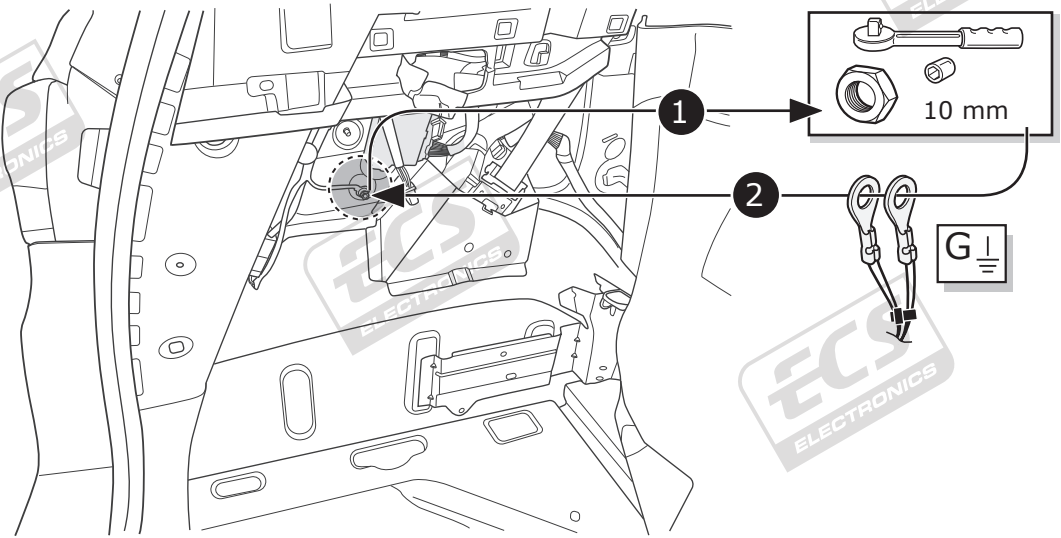
Grand Scénic



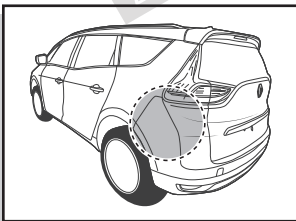
16



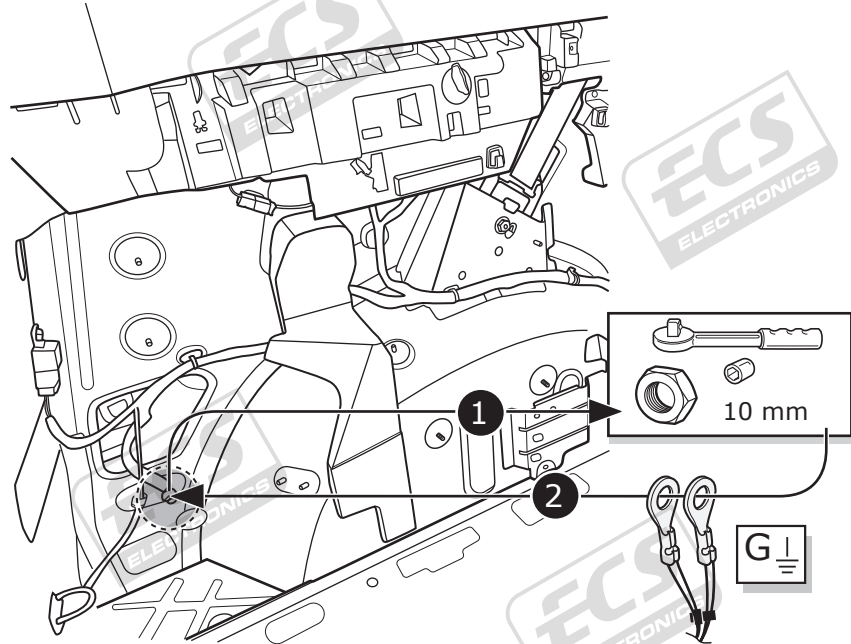
Scénic



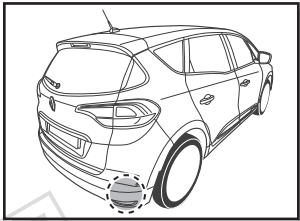
17



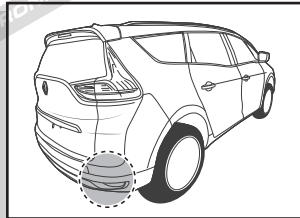
Grand Scénic



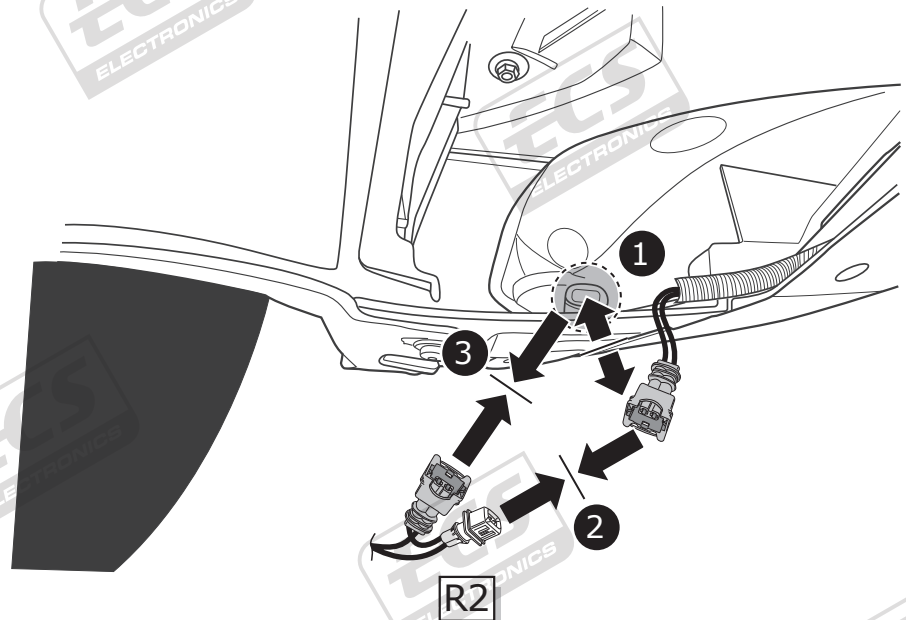
18



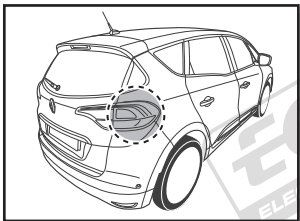
Scénic



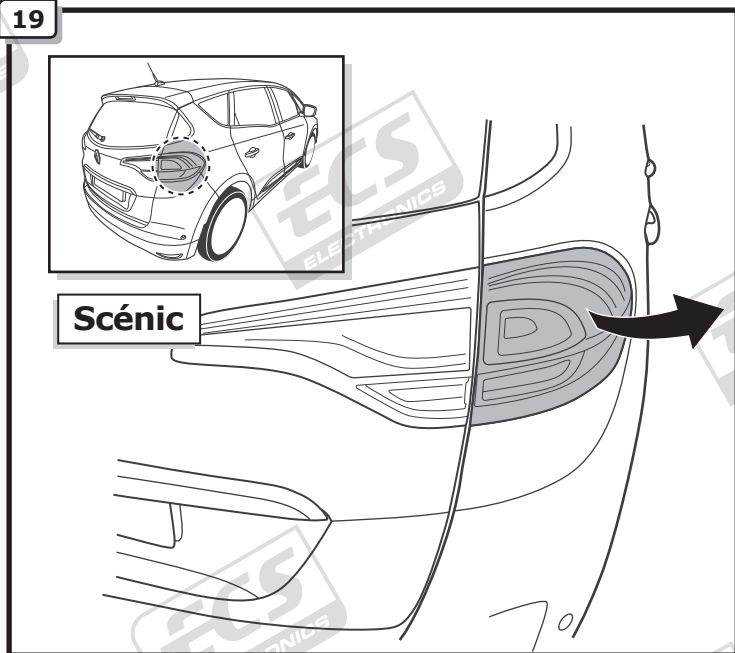
Grand Scénic



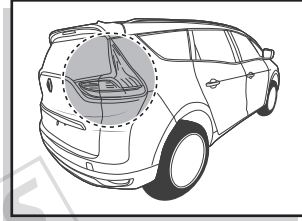
19



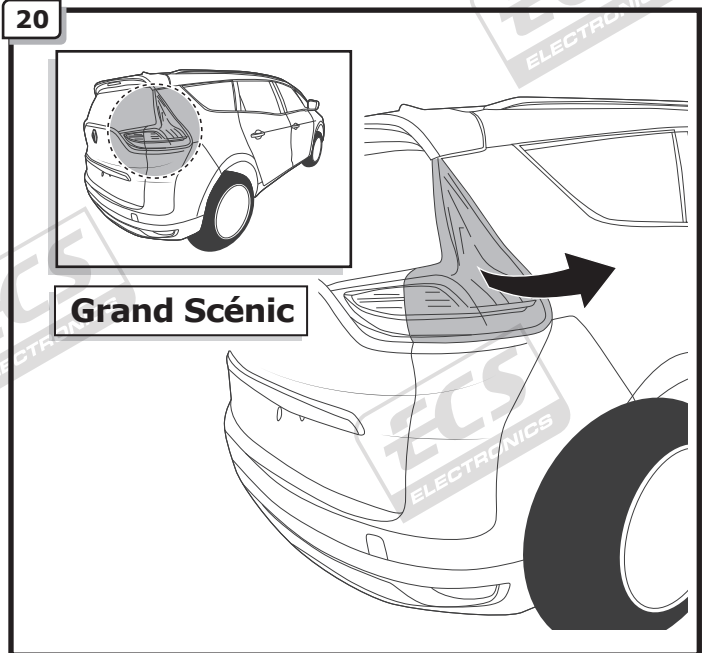
Scénic



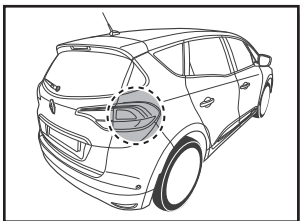
20



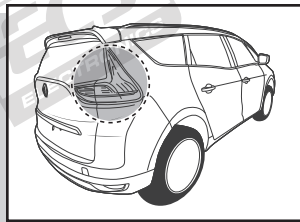
Grand Scénic



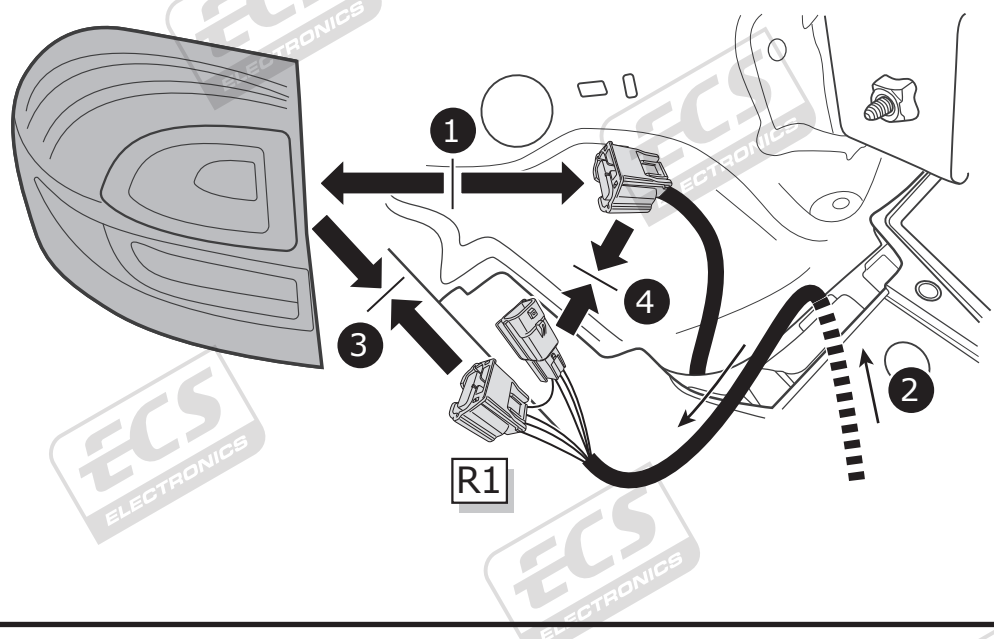
21



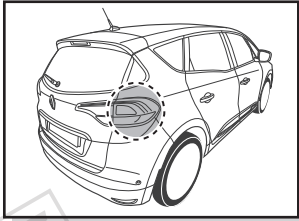
Scénic



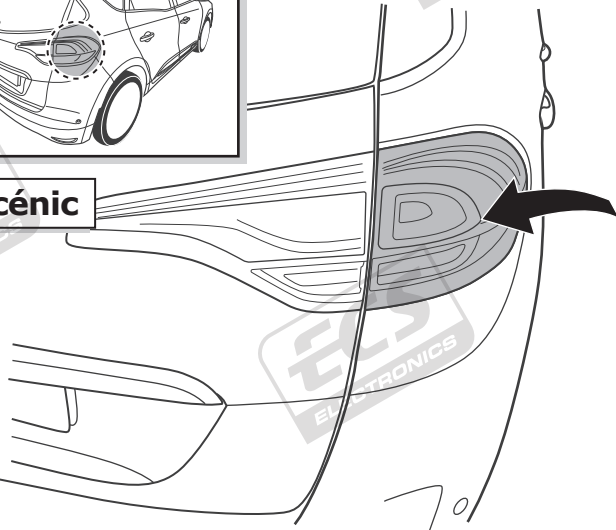
Grand Scénic



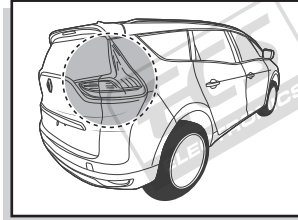
22



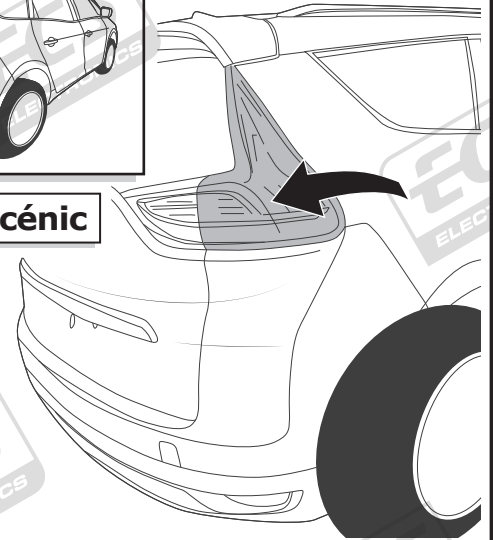
Scénic



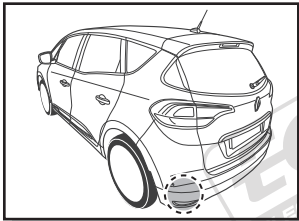
23



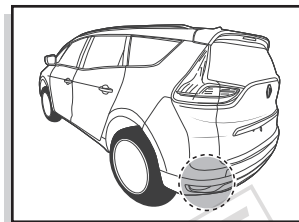
Grand Scénic



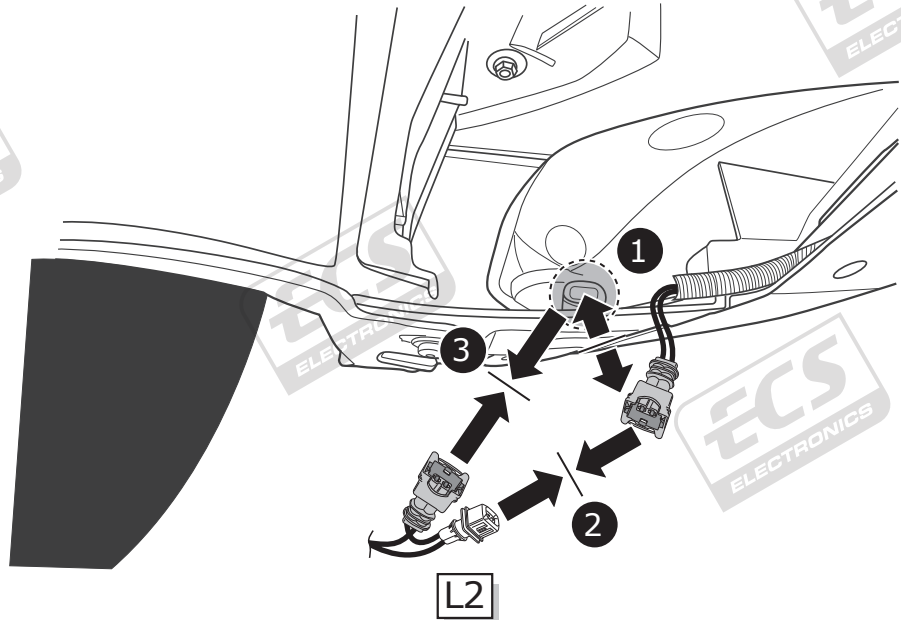
24



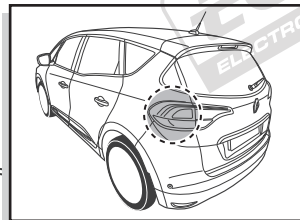
Scénic



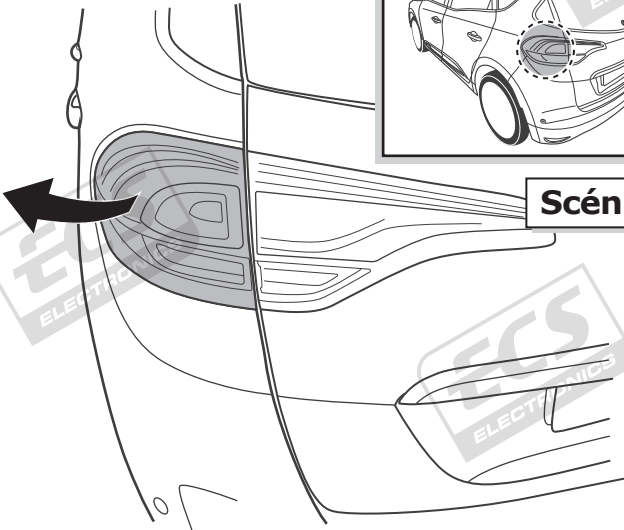
Grand Scénic



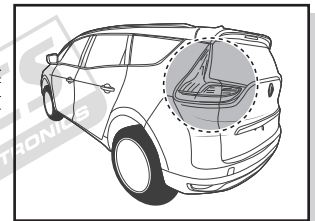
25



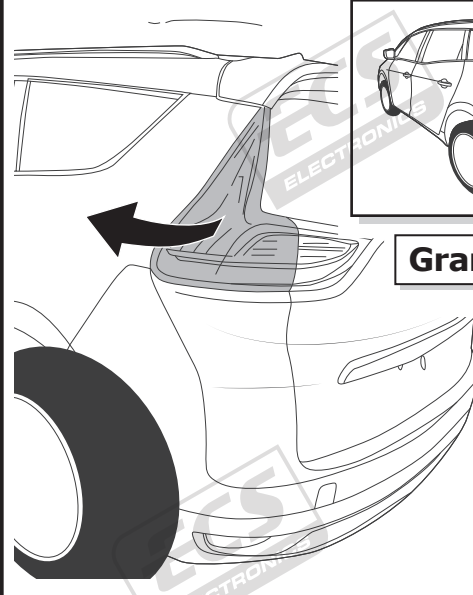
Scénic



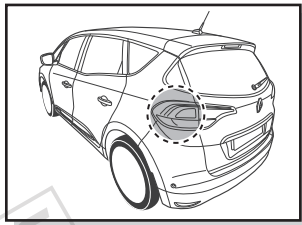
26



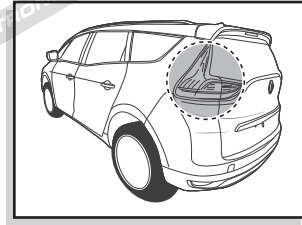
Grand Scénic



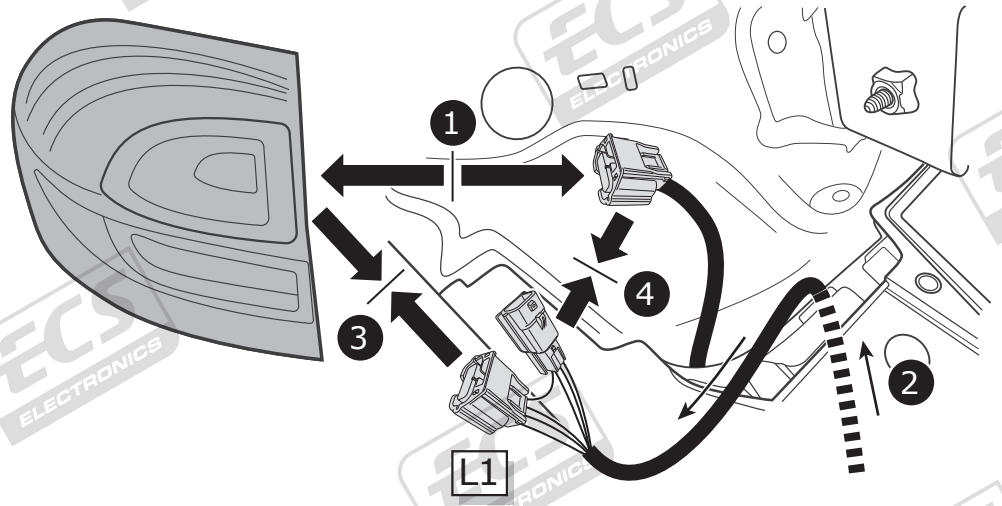
27



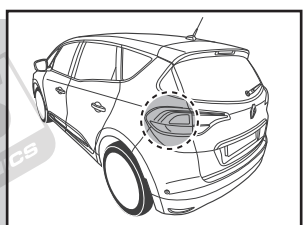
Scénic



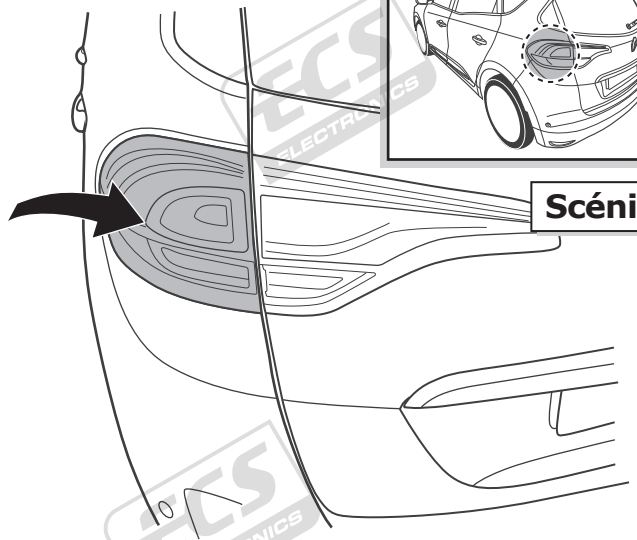
Grand Scénic



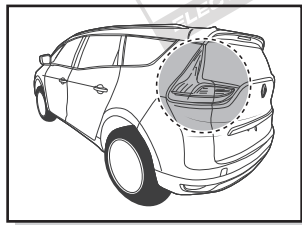
28



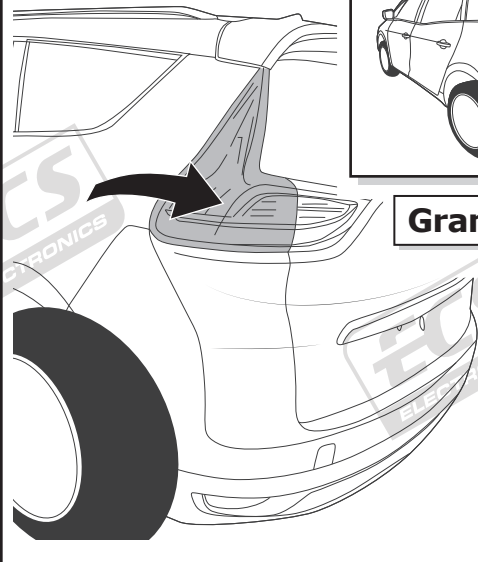
Scénic



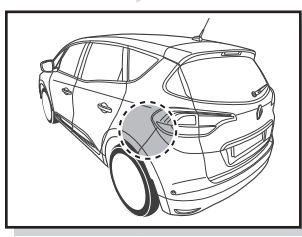
29



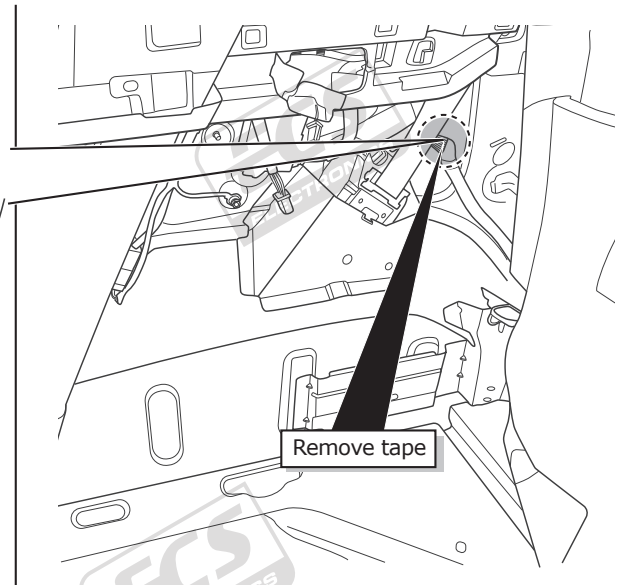
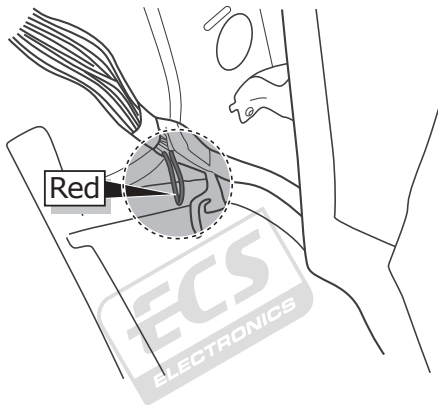
Grand Scénic



30

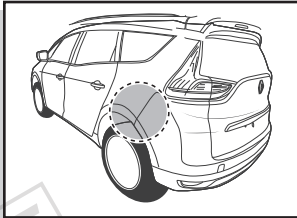


Scénic

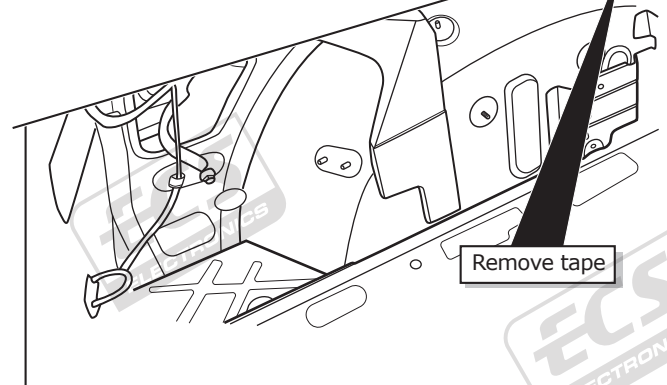
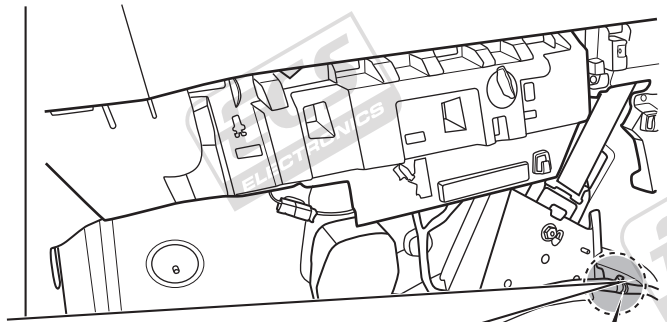
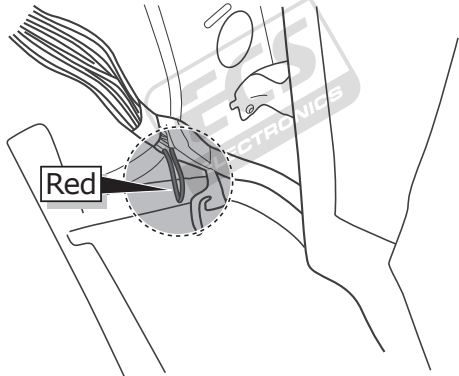


32

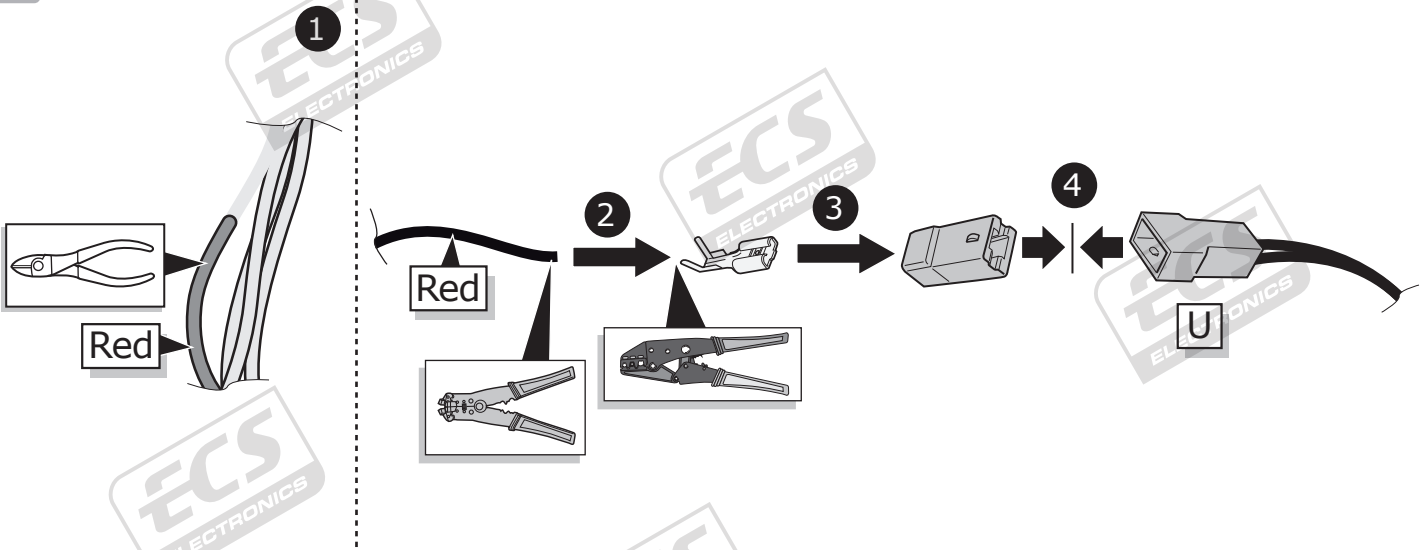
31



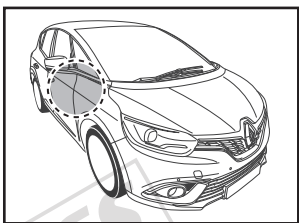
Grand Scénic



32

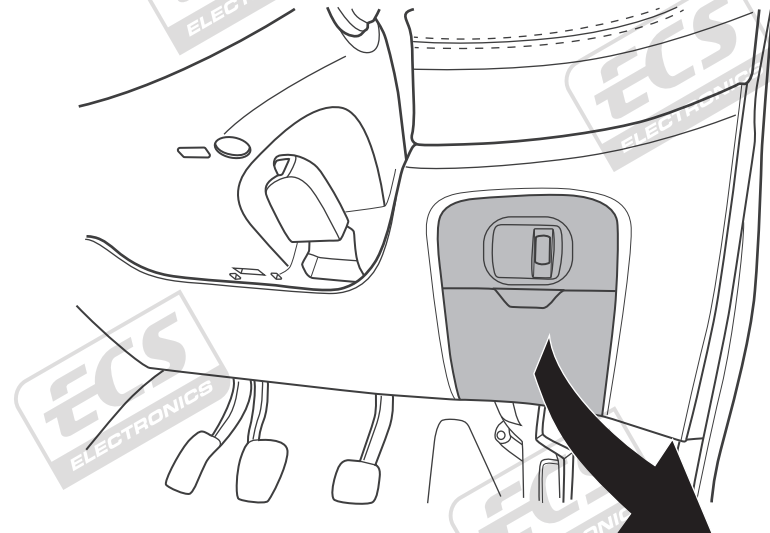


33

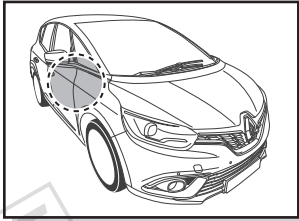


Scénic

Grand Scénic



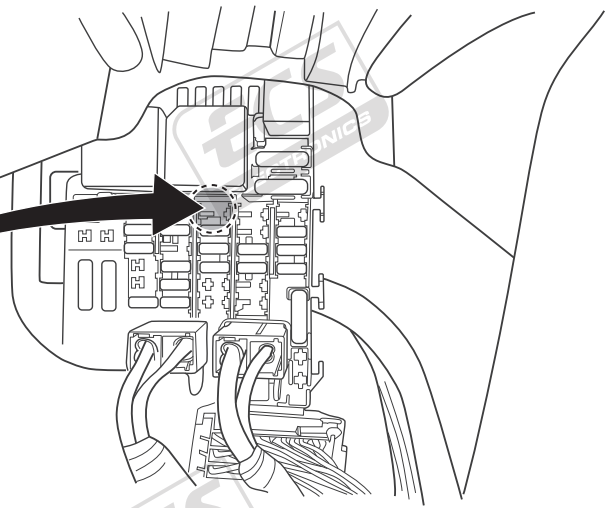
34



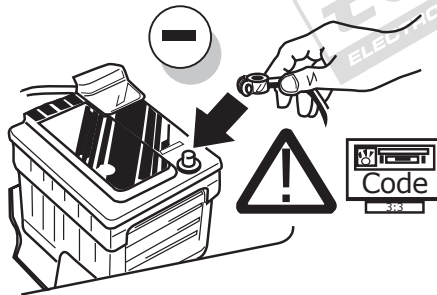
Scenic

Grand Scenic

20 Amp.
minifuse



35



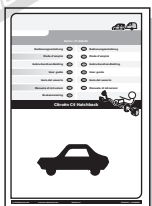
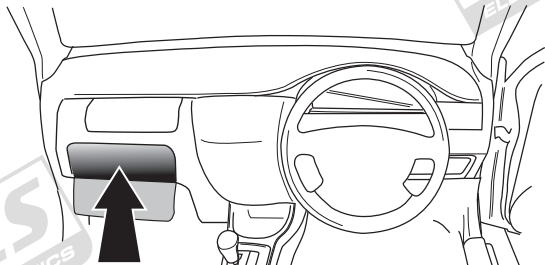
36

TEST ALL THE CIRCUITS WITH A TEST DEVICE WITH THE CORRECT POWER LOAD FOR EACH FUNCTION. A TEST DEVICE WITH LED'S CANNOT BE USED FOR THIS PURPOSE.

INFO

REINSTALL TRIM.

37



User guide

TECHNICAL SUPPORT

CALL 07440 202 052

MONDAY TO FRIDAY
08.00 - 11.00 am
12.00 - 05.00 pm

ECS ELECTRONICS
t.skinner@ecs-electronics.com
www.ecs-electronicsuk.co.uk

SOCKET CONNECTION

| | | | | | | | | | | | | | |
|------------------|--------|------|-------|-------|--------|-----------------------------|--------|---------------|-----------------|-----------------------------|-------|----|-------|
| DIN/ISO 11446 | | | | | | | | | | | | | |
| | 1/L | 2 | 3/31 | 4/R | 5/58-R | 6/54 | 7/58-L | 8 | 9 | 10 | 11 | 12 | 13 |
| Pmax | 21W | 21W | | 21W | 42W | 3x21W | 42W | 21W | 180W/15Amp | 180W/15Amp | | | |
| Colour | Yellow | Blue | White | Green | Brown | Red 1,00 mm ² | Black | Black/ Red | Brown/ White | Red 2,50 mm ² | White | - | White |