

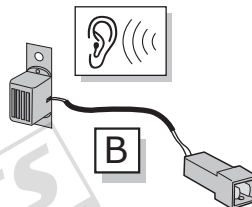
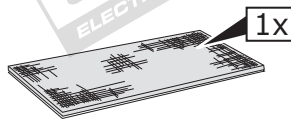
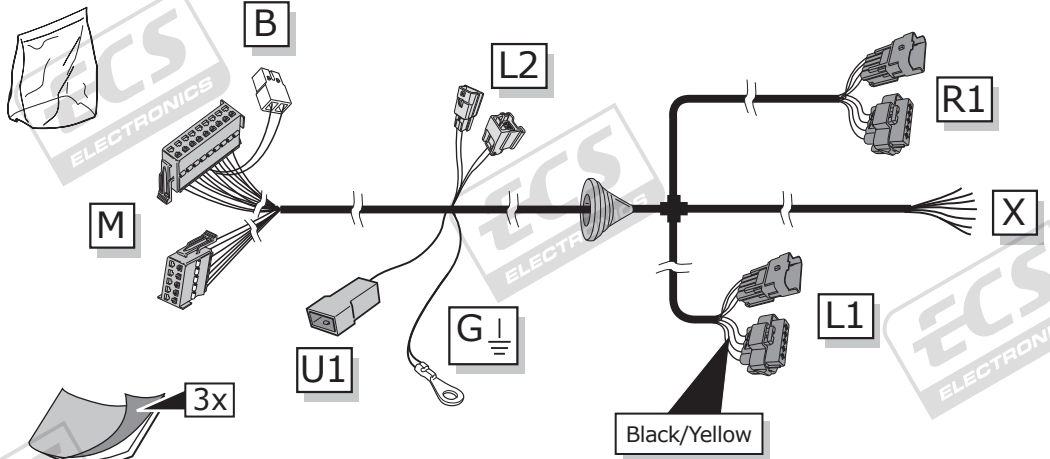
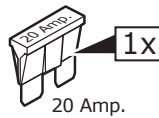
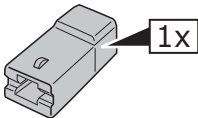
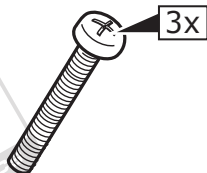
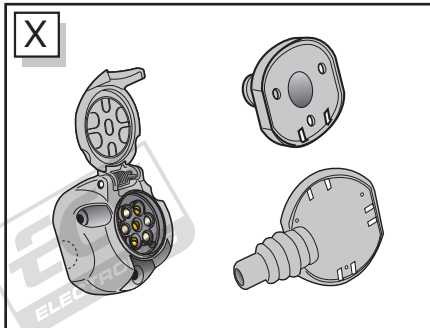
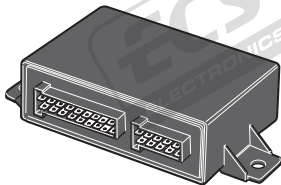
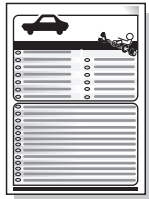
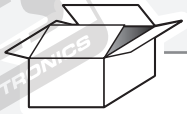
## Renault Megane 11/2008-

Partnr.: RN-078-BHU

- Fitting instructions electric wiring kit tow bar with 12-N socket up to DIN/ISO Norm 1724.
- We would expressly point out that assembly not carried out properly by a competent installer will result in cancellation of any right to damage compensation, in particular those arising by virtue of the product liability act.
- Contents of these kits and their fitting manuals are subject to alteration without notice, please ensure that these instructions are read and fully understood before commencing installation.
- Do not overload circuits; the maximum loads per connection are detailed in this manual.
- Attention! Before Installation, please read this manual carefully and inform your customer to consult the vehicle owners manual to check for any vehicle modifications required before towing.
- In the event of functional problems, troubleshooting must be limited to about 0.5 hours, contact the technical support:  
[t.skinner@ecs-electronics.com](mailto:t.skinner@ecs-electronics.com) / 07440 202 052.



# Part list



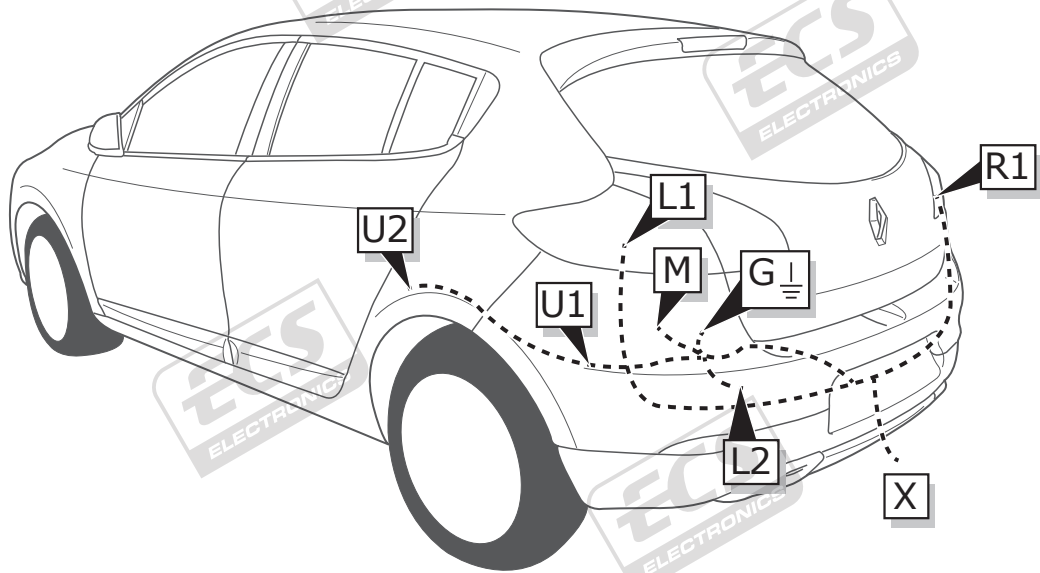
**UN-243-YZ**  
 Optional reverse lamp  
 pre-wire extension included

Pag. 12

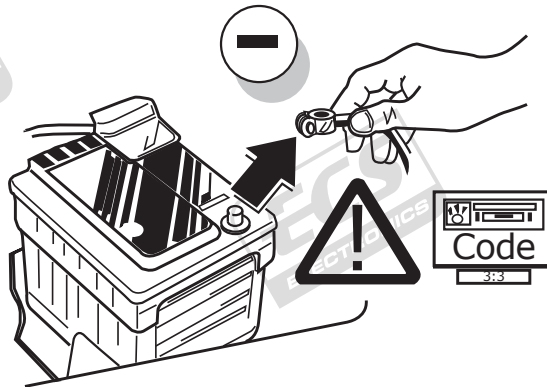
**Option!**  
**PDC**  
**cut off**

Pag. 10-11

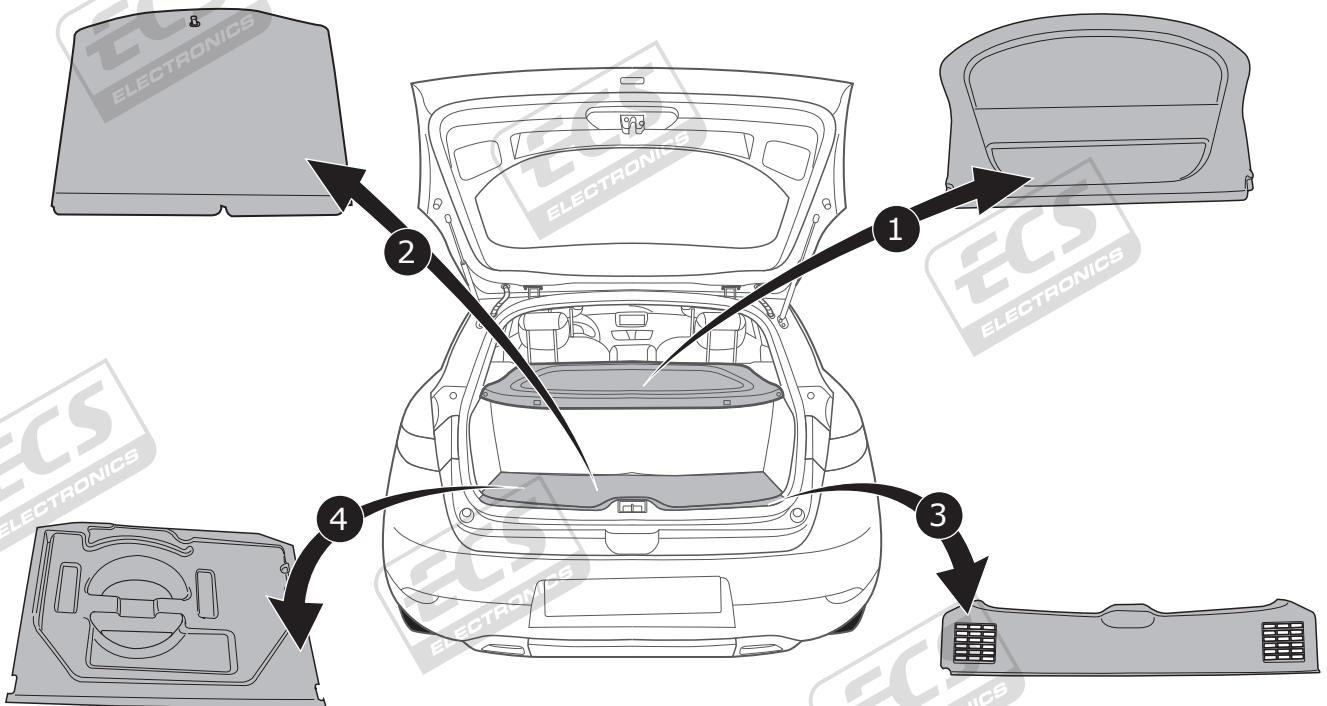
**ROUTING**



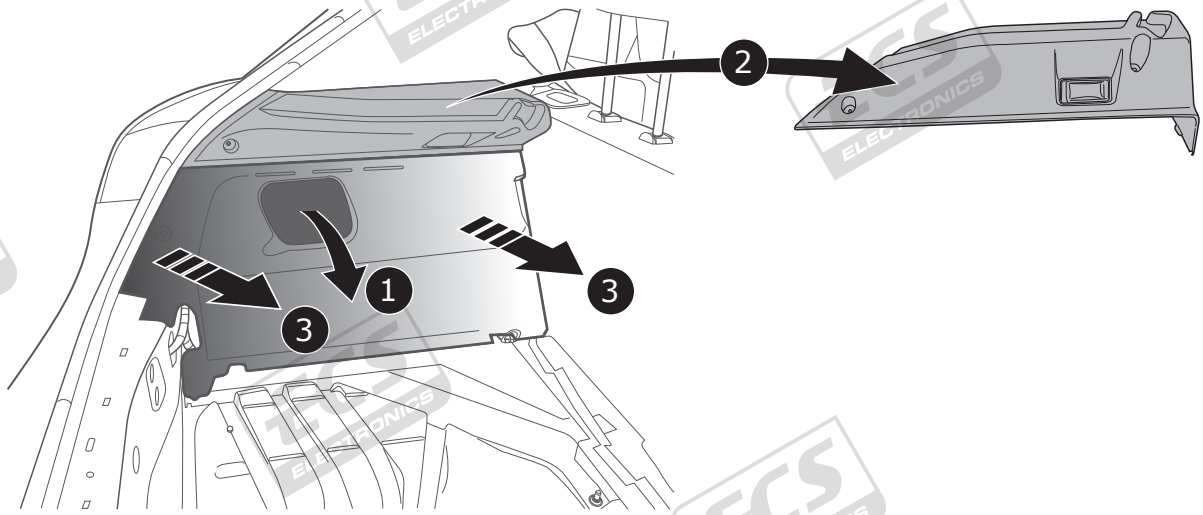
**1**



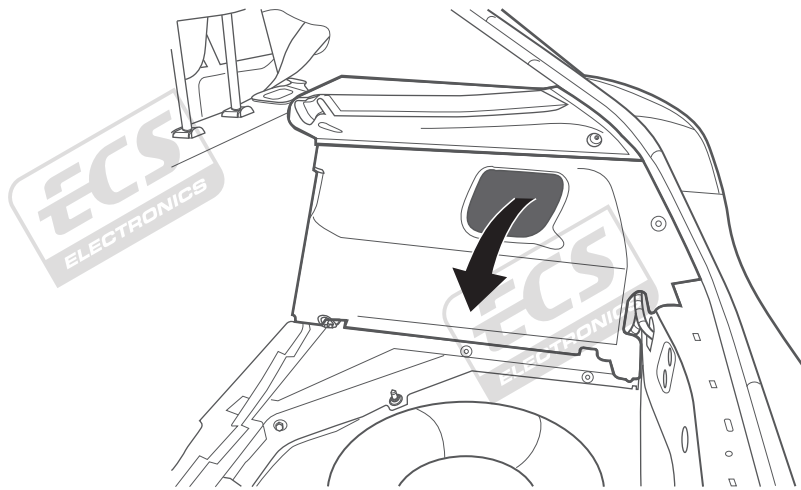
**2**



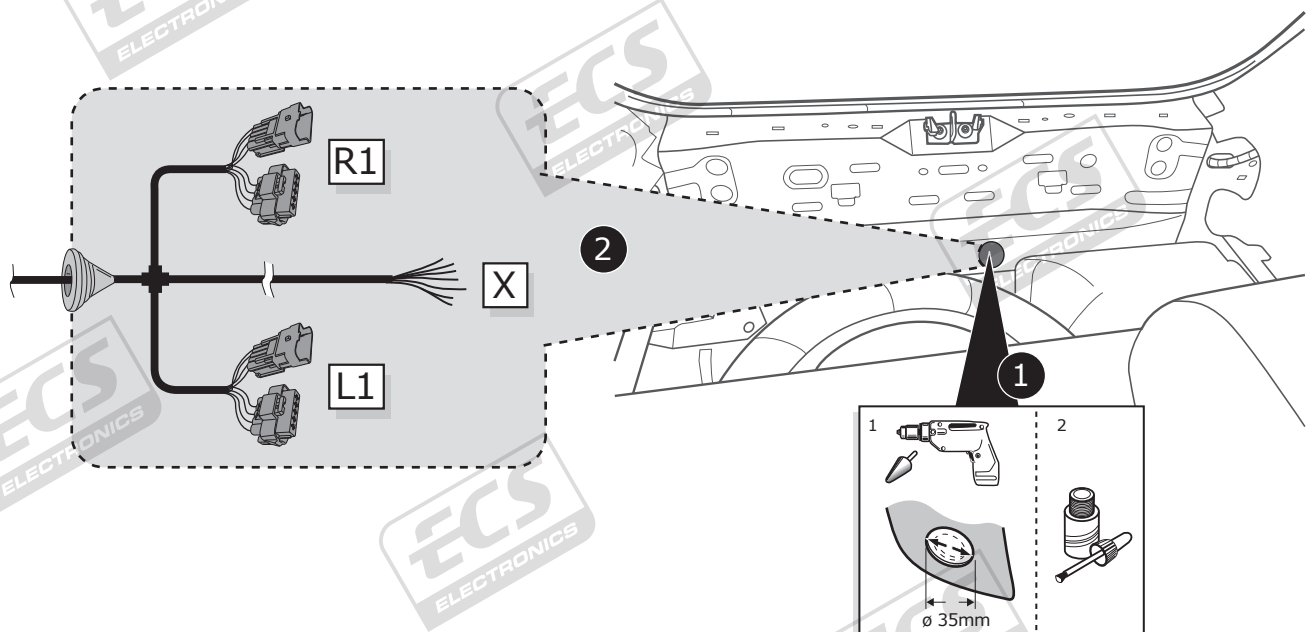
3

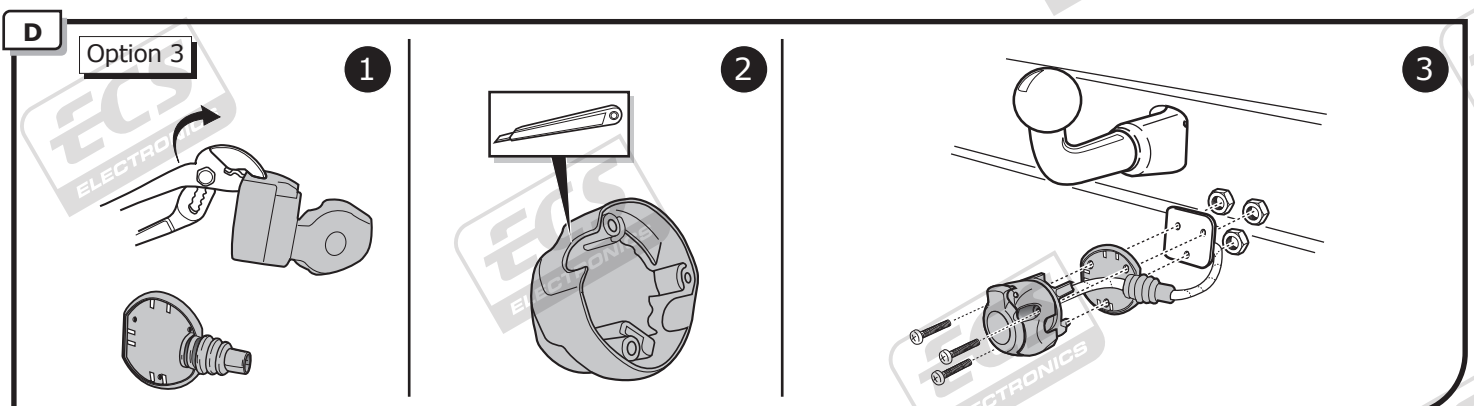
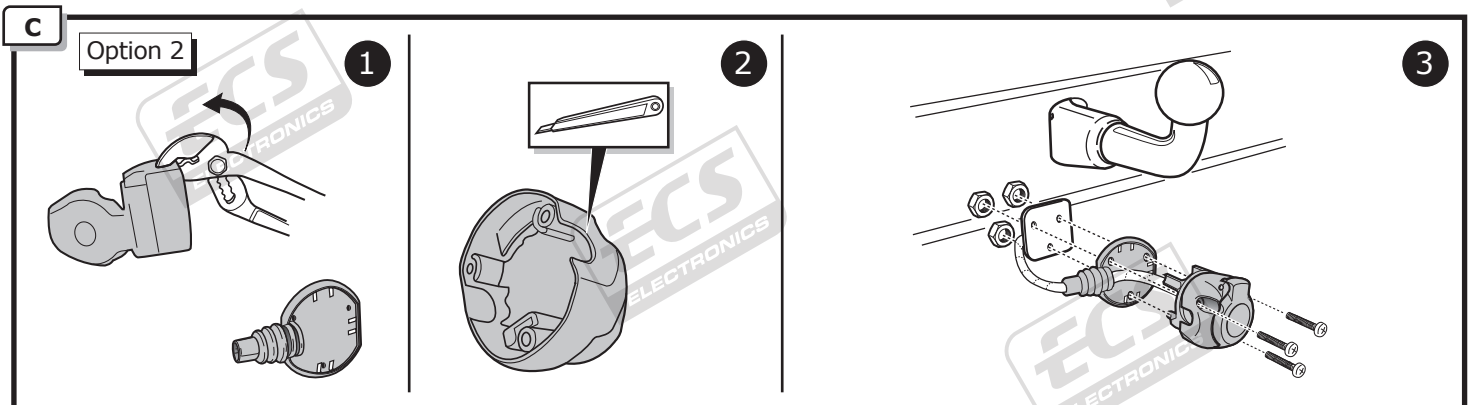
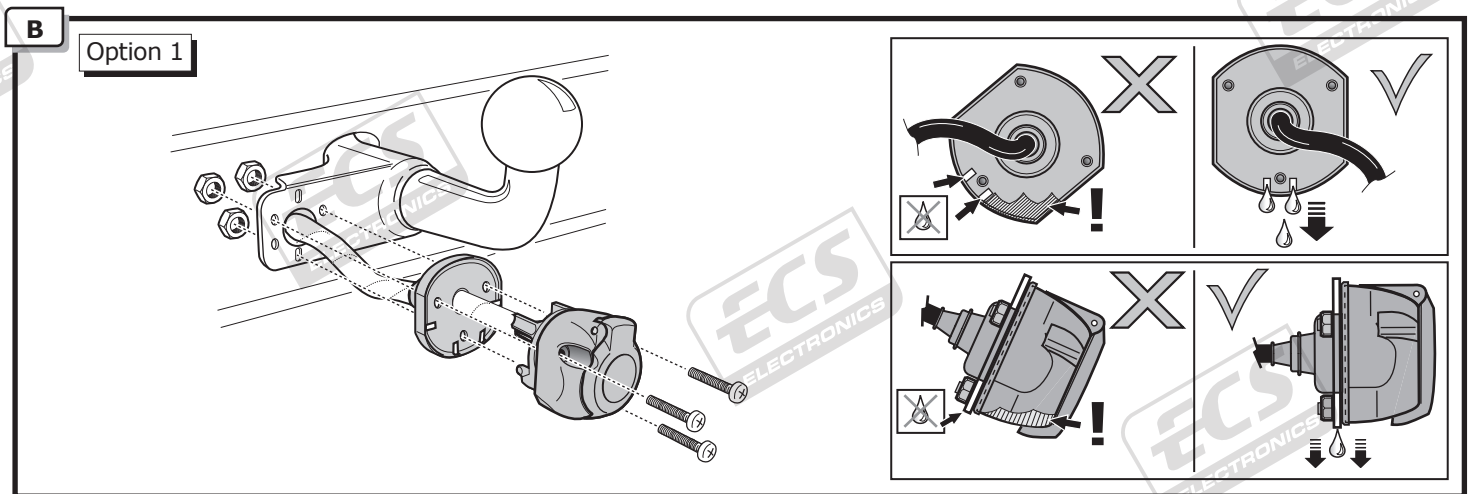
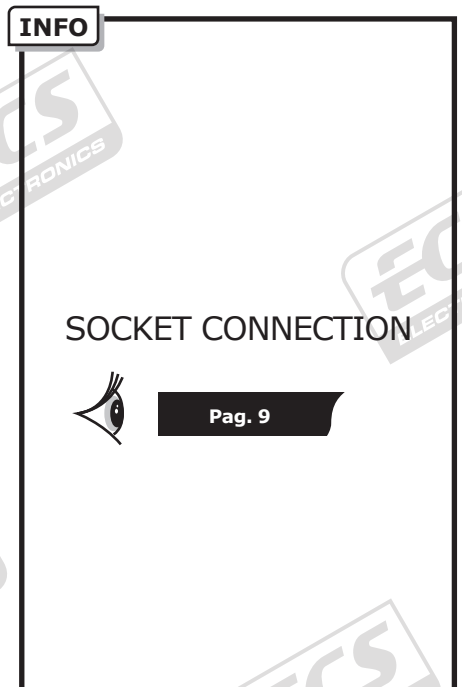
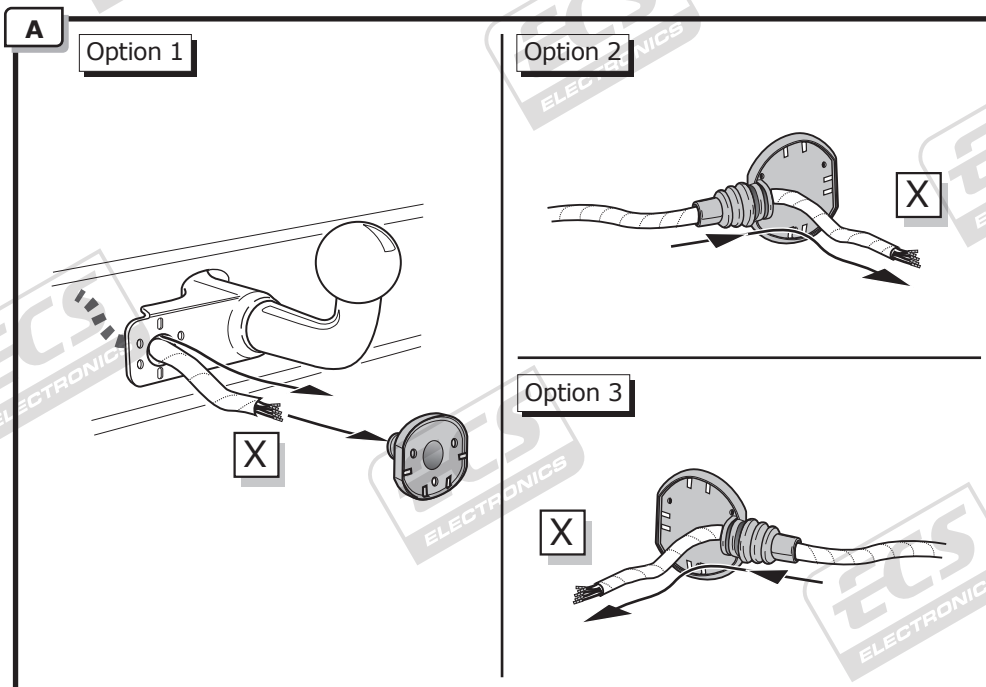


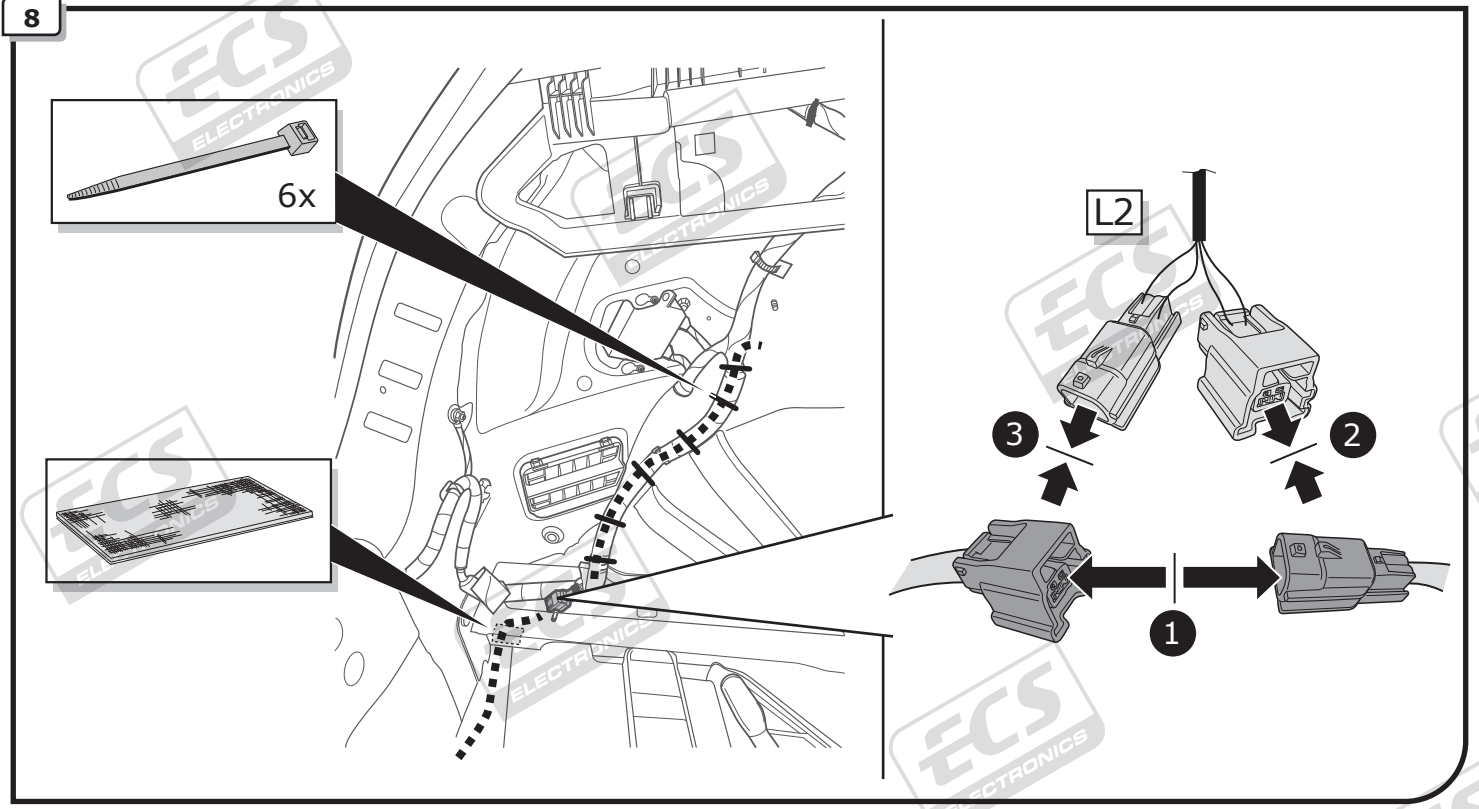
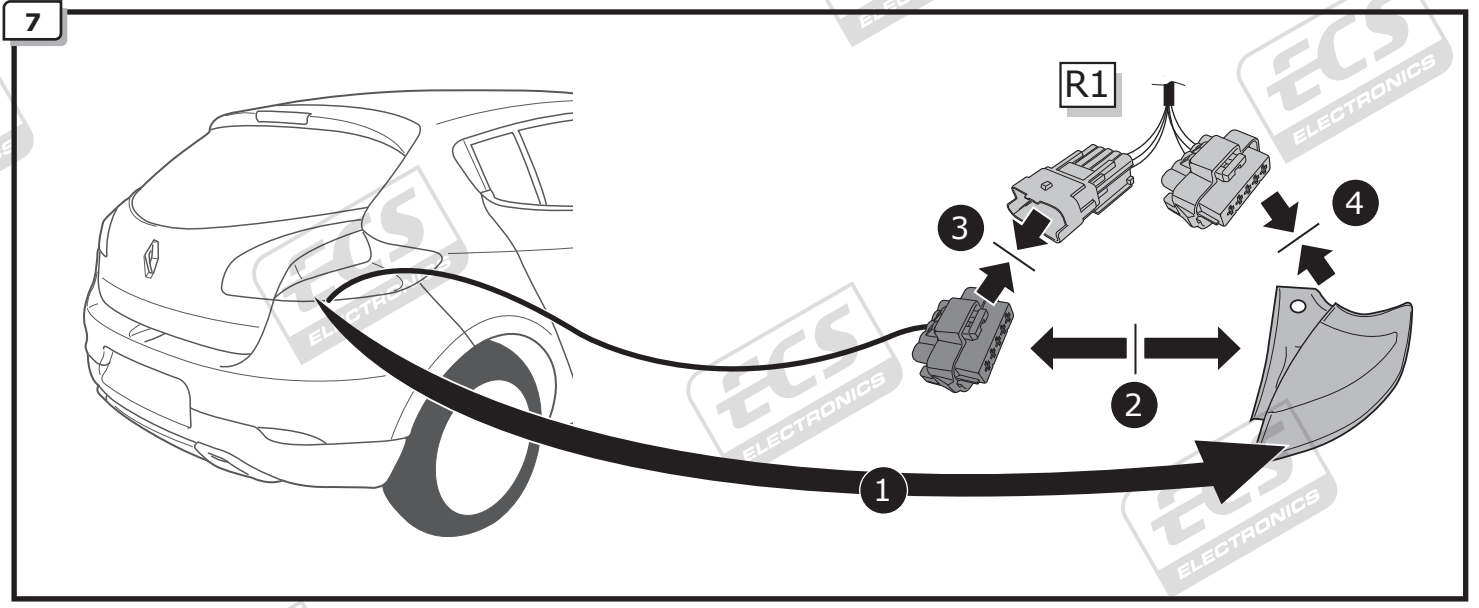
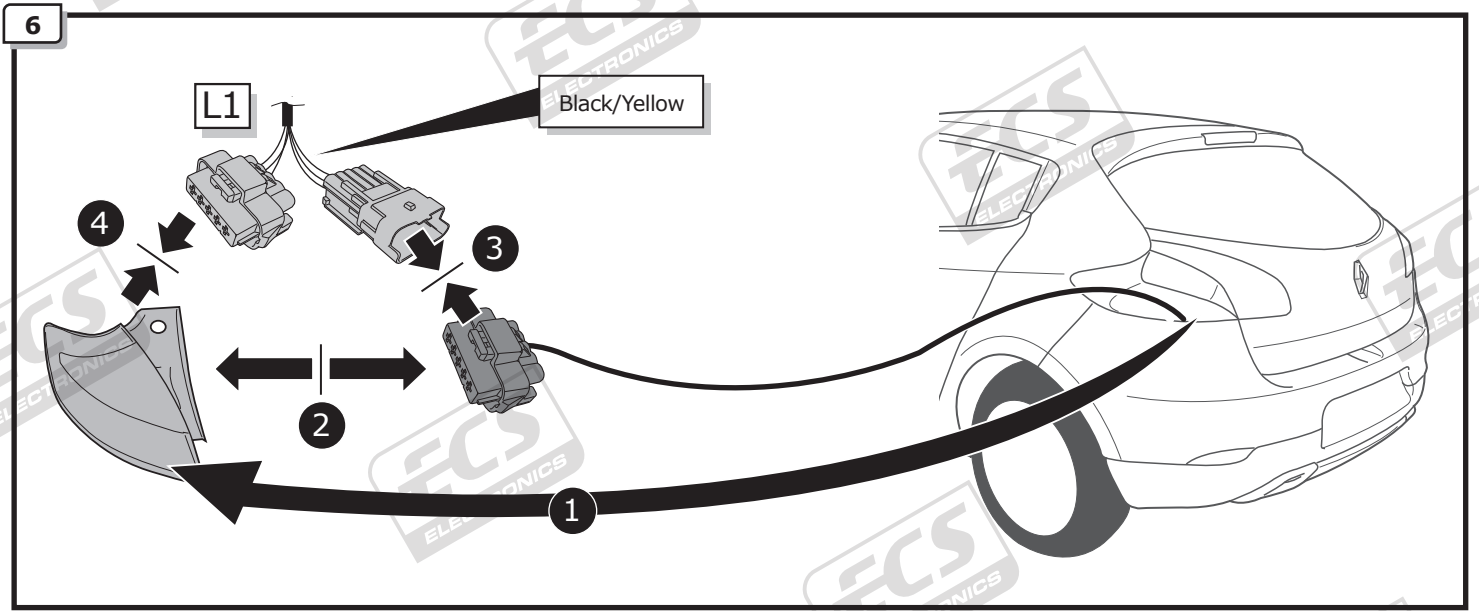
4



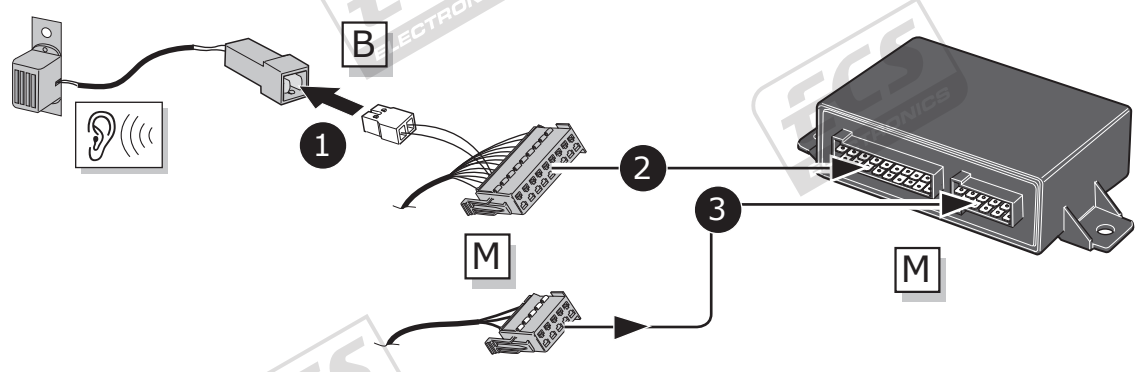
5



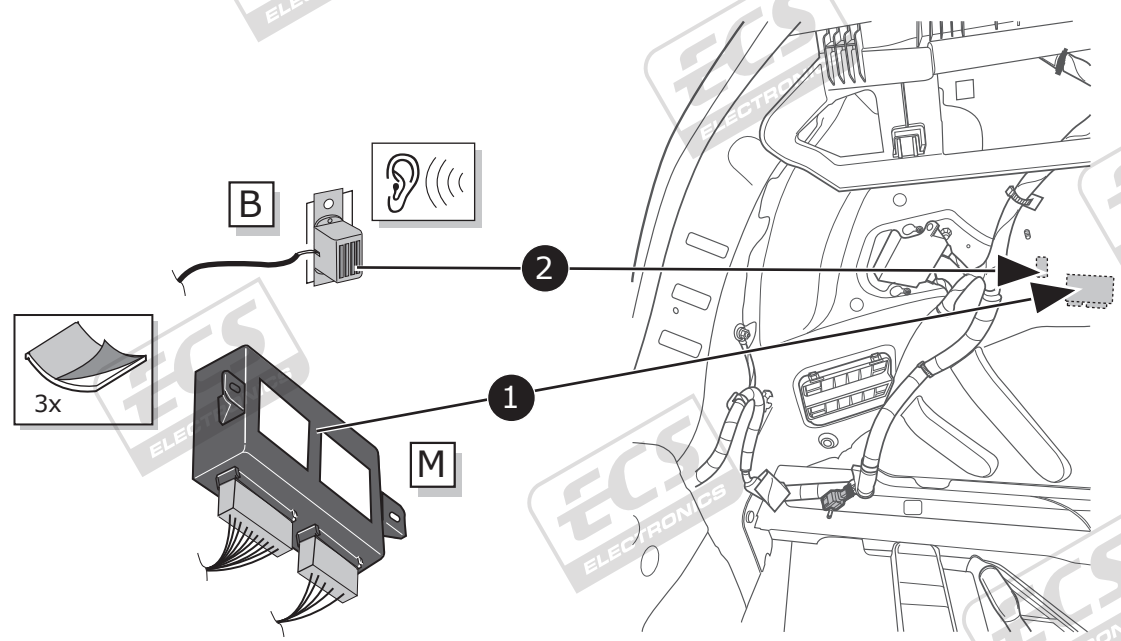




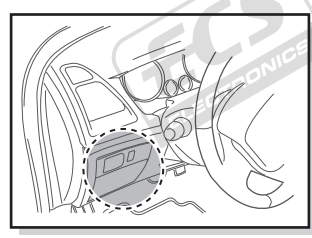
9



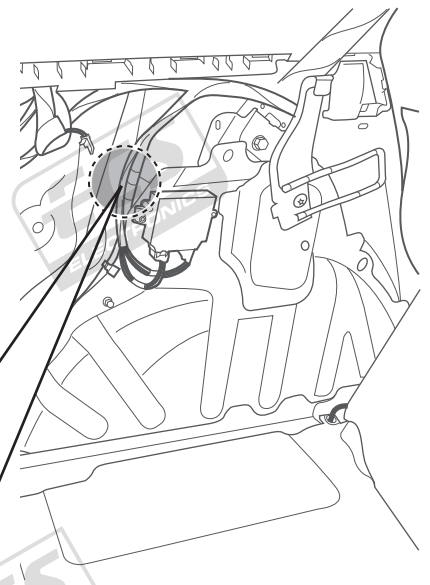
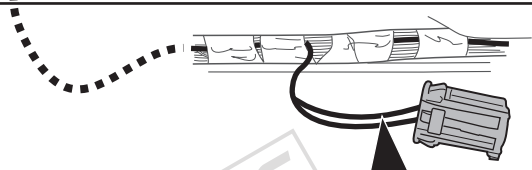
10



11



40	15	15	20	3	5	10	10	20	25	10	30	10	5	10	10	10
		25	3	25	5	10	10	25	10	25	5	10	10	10	10	10
		30	15	5	25	10	10	10	10	10	10	10	10	10	10	10
		10	15	25	10	10	10	10	10	10	10	10	10	10	10	10



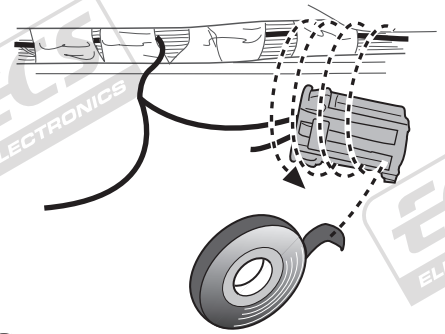
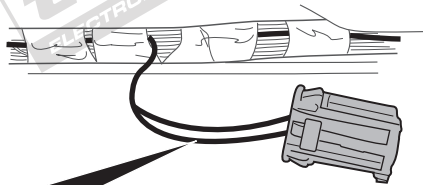
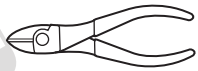
Remove tape.



+12V  
2,5mm<sup>2</sup> Purple

12

+12V  
2,5mm<sup>2</sup> Purple

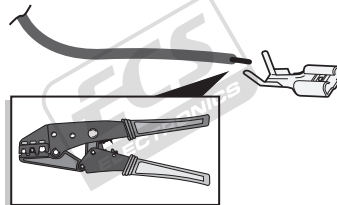


1

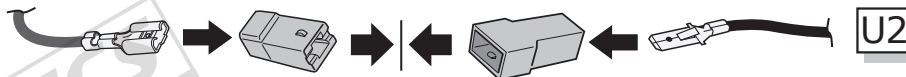
2

3

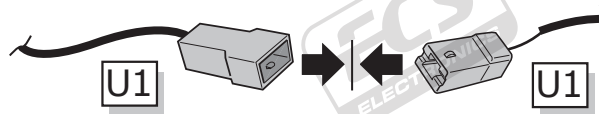
+12V  
2,5mm<sup>2</sup> Purple



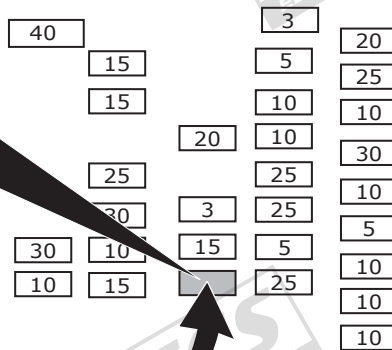
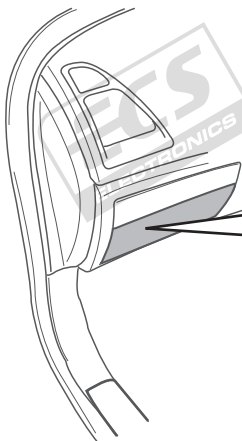
4



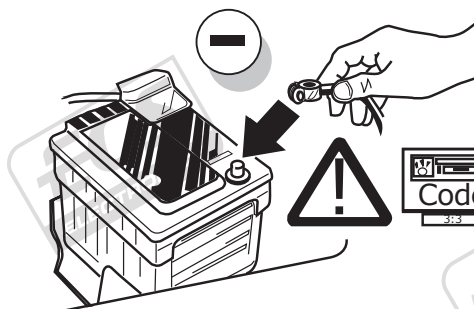
5



13



14





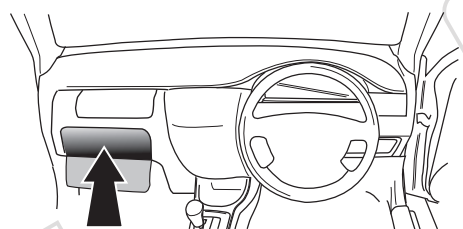
15

TEST ALL THE CIRCUITS WITH A TEST DEVICE WITH THE CORRECT POWER LOAD FOR EACH FUNCTION. A TEST DEVICE WITH LED'S CANNOT BE USED FOR THIS PURPOSE.

INFO

REINSTALL TRIM.

16



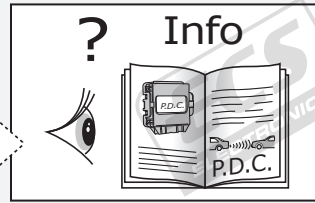
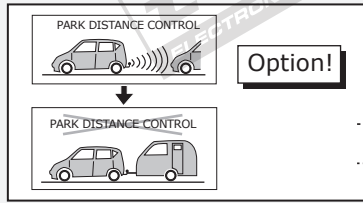
**User guide**



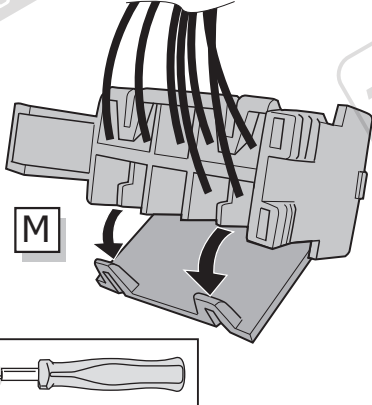
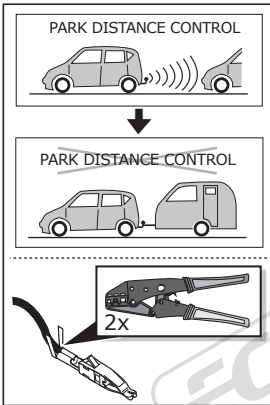
INFO

SOCKET CONNECTION

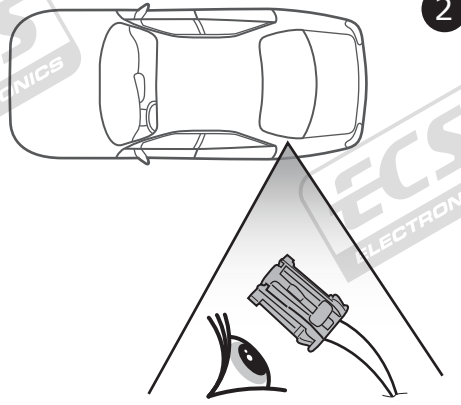
DIN/ISO 1724	←	🚗	⏏ 1-7	→	☀	⊞	☀
	1/L	2	3/31	4/R	5/58-R	6/54	7/58-L
Pmax	21W	2x21W		21W	52W	3x21W	52W
Colour	Yellow	Blue	White	Green	Brown	Red	Black



# OEM PDC

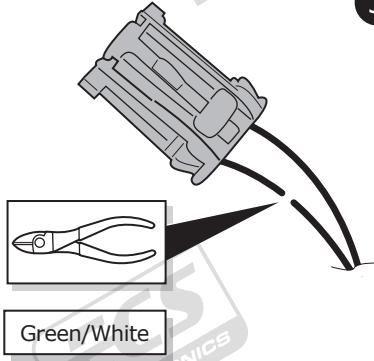


1

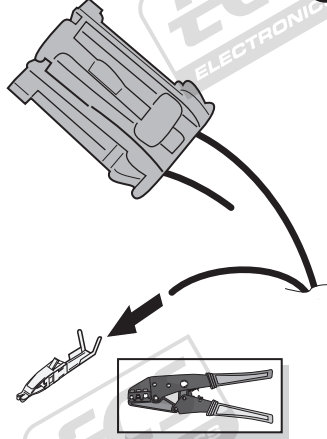


2

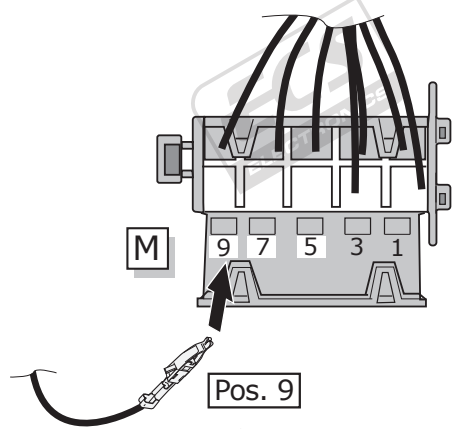
3



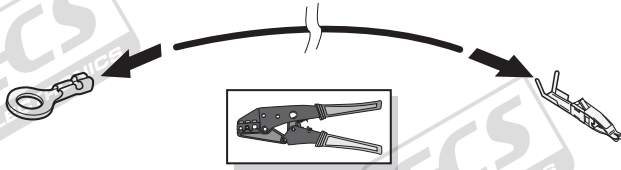
4



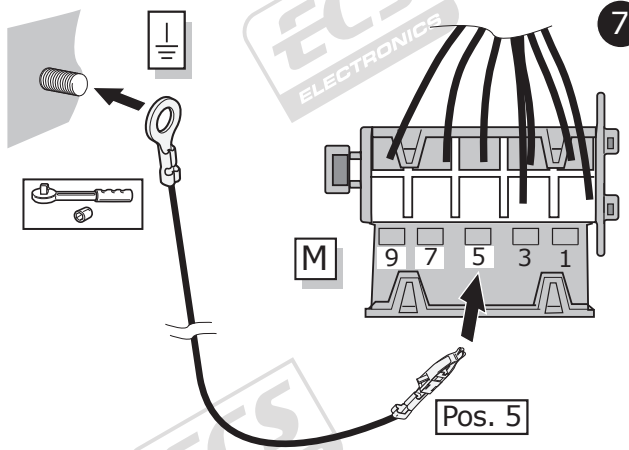
5

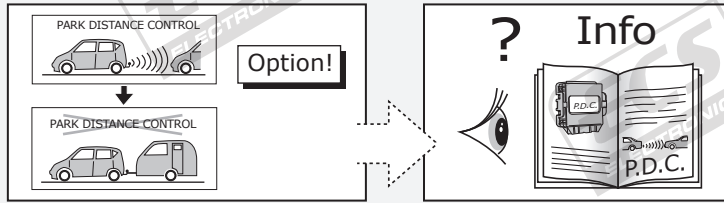


6

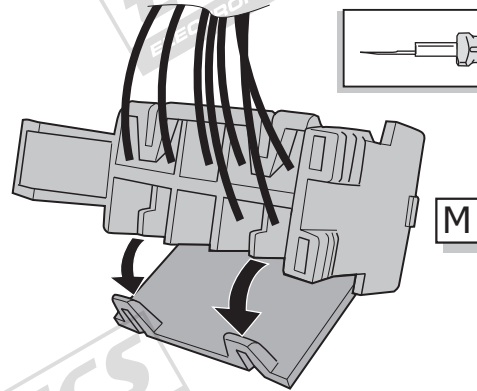
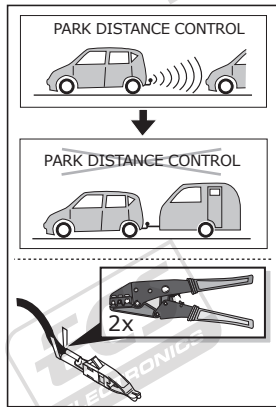


7

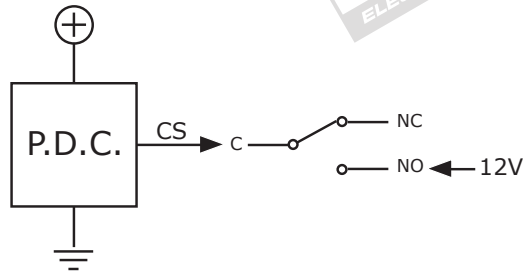




# AFTER MARKET PDC

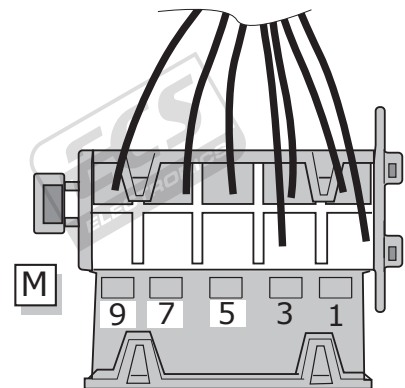
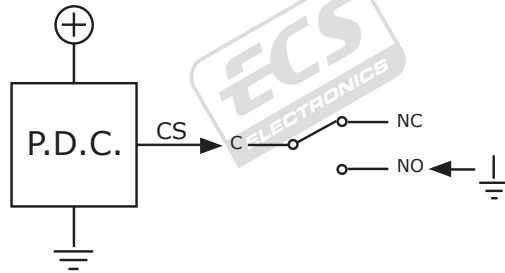


Option A

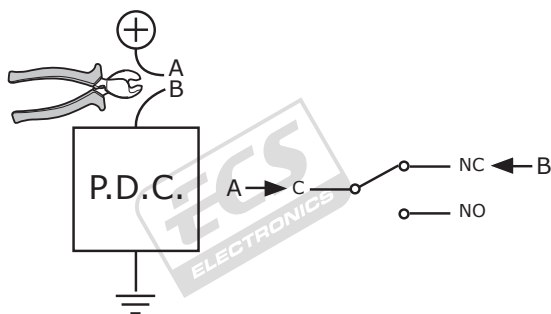


9 = C  
5 = NO  
7 = NC

Option B

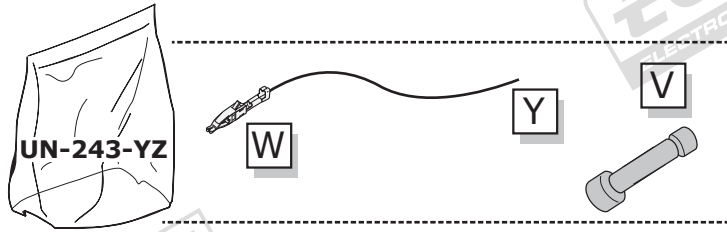


Option C

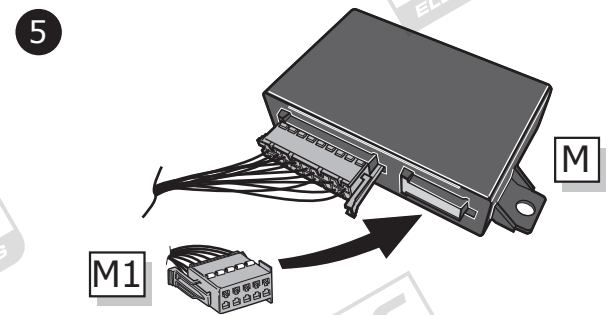
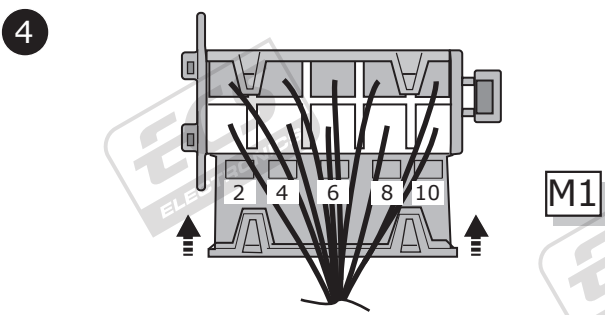
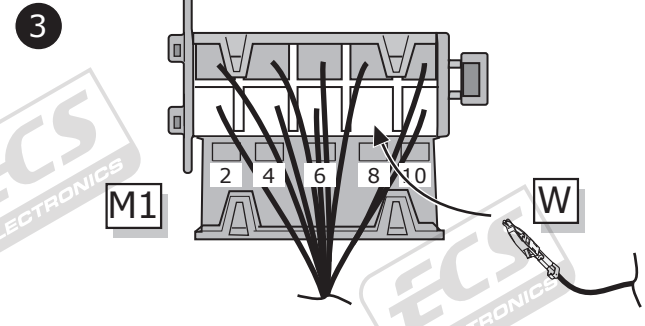
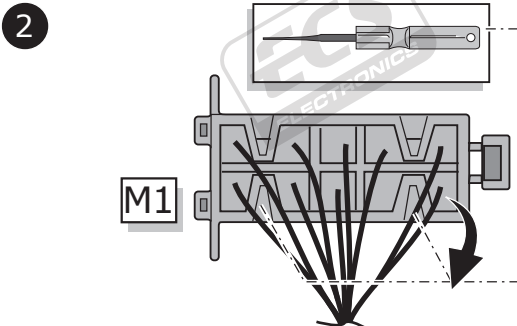
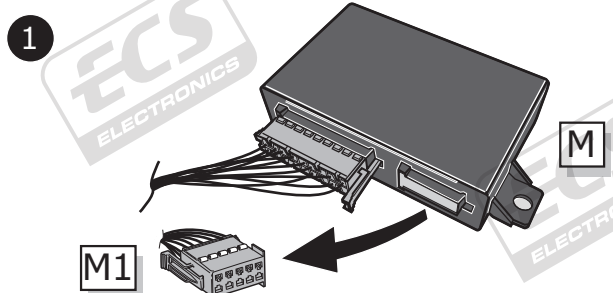
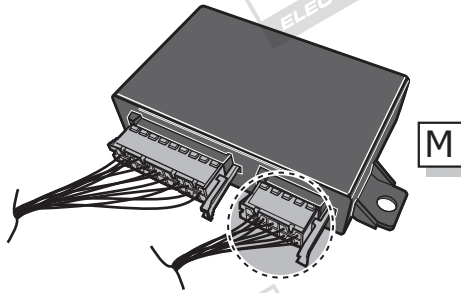


# UN-243-YZ Reverse lamp pre-wire extension

⚠ MAX = 21W



## A



## B

⚠ MAX = 21W

