

**Citroën C4 Cactus 07/2014 >> 02/2018**  
**Citroën C4 Cactus 03/2018 >>**

**Partnr.: PE-065-B1U**

- Fitting instructions electric wiring kit tow bar with 12-N socket up to DIN/ISO Norm 1724.
- We would expressly point out that assembly not carried out properly by a competent installer will result in cancellation of any right to damage compensation, in particular those arising by virtue of the product liability act.
- Contents of these kits and their fitting manuals are subject to alteration without notice, please ensure that these instructions are read and fully understood before commencing installation.
- Do not overload circuits; the maximum loads per connection are detailed in this manual.
- Attention! Before Installation, please read this manual carefully and inform your customer to consult the vehicle owners manual to check for any vehicle modifications required before towing.
- In the event of functional problems, troubleshooting must be limited to about 0.5 hours, contact the technical support:  
[ukts@ecs-electronics.com](mailto:ukts@ecs-electronics.com) / 07440 202 052.

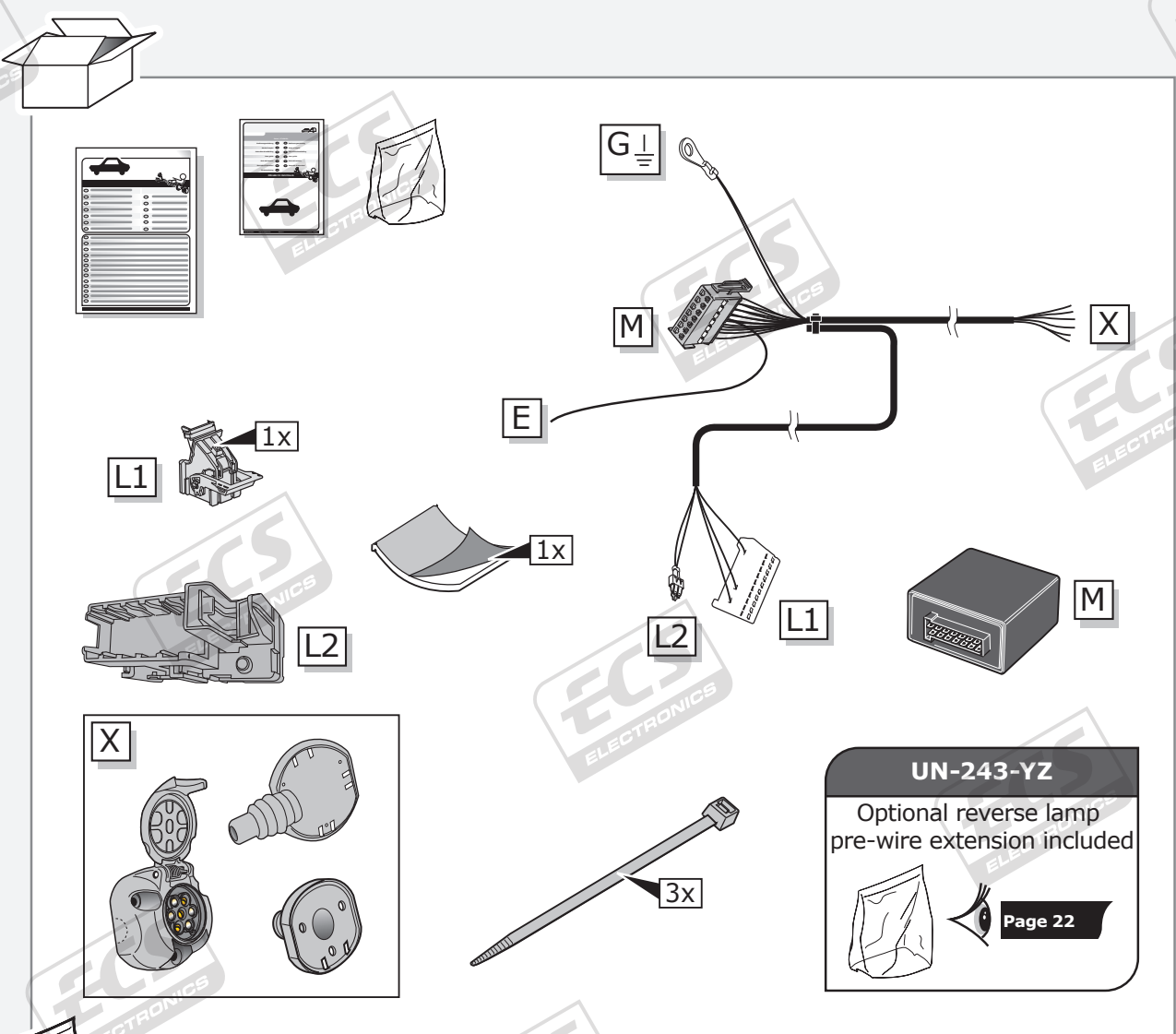
**TECHNICAL SUPPORT**

**CALL 07440 202 052**


**ECS ELECTRONICS**

**MONDAY TO FRIDAY**  
 08.00 - 11.00 am  
 12.00 - 05.00 pm  
[ukts@ecs-electronics.com](mailto:ukts@ecs-electronics.com)  
[www.ecs-electronicsuk.co.uk](http://www.ecs-electronicsuk.co.uk)

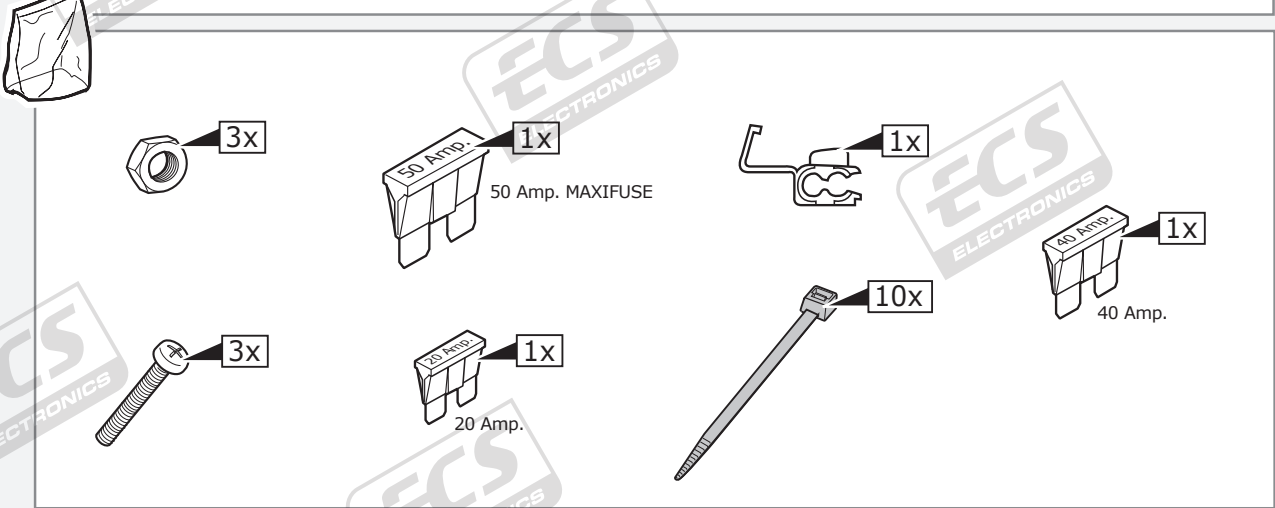
# Part list



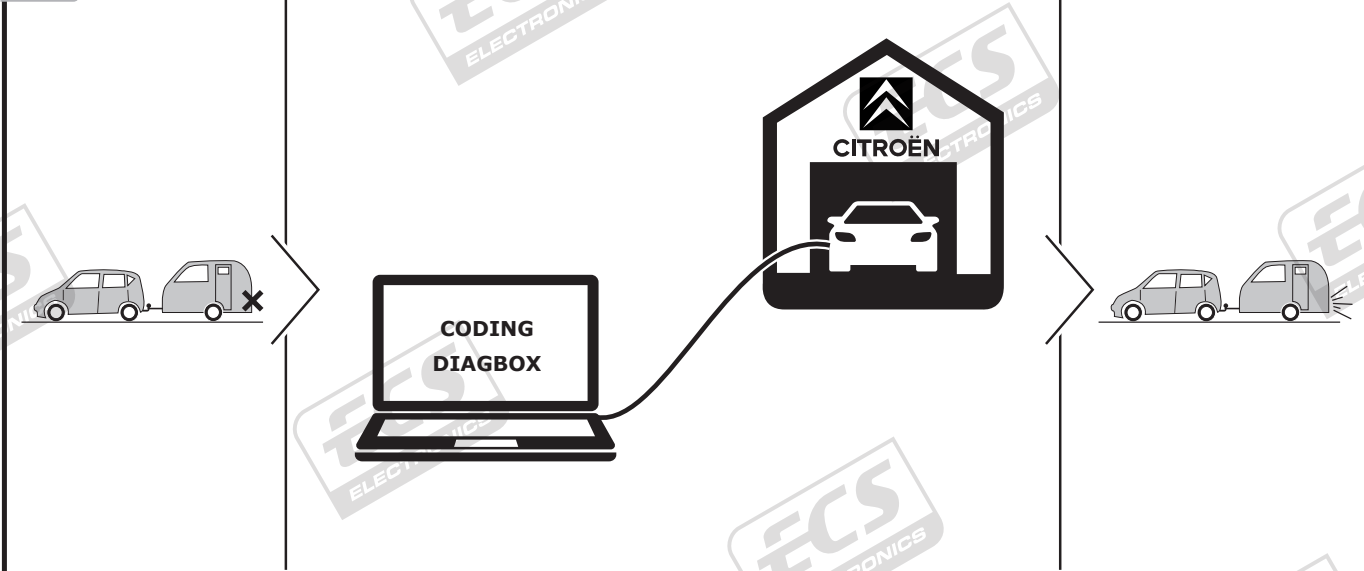
**UN-243-YZ**  
 Optional reverse lamp  
 pre-wire extension included



Page 22

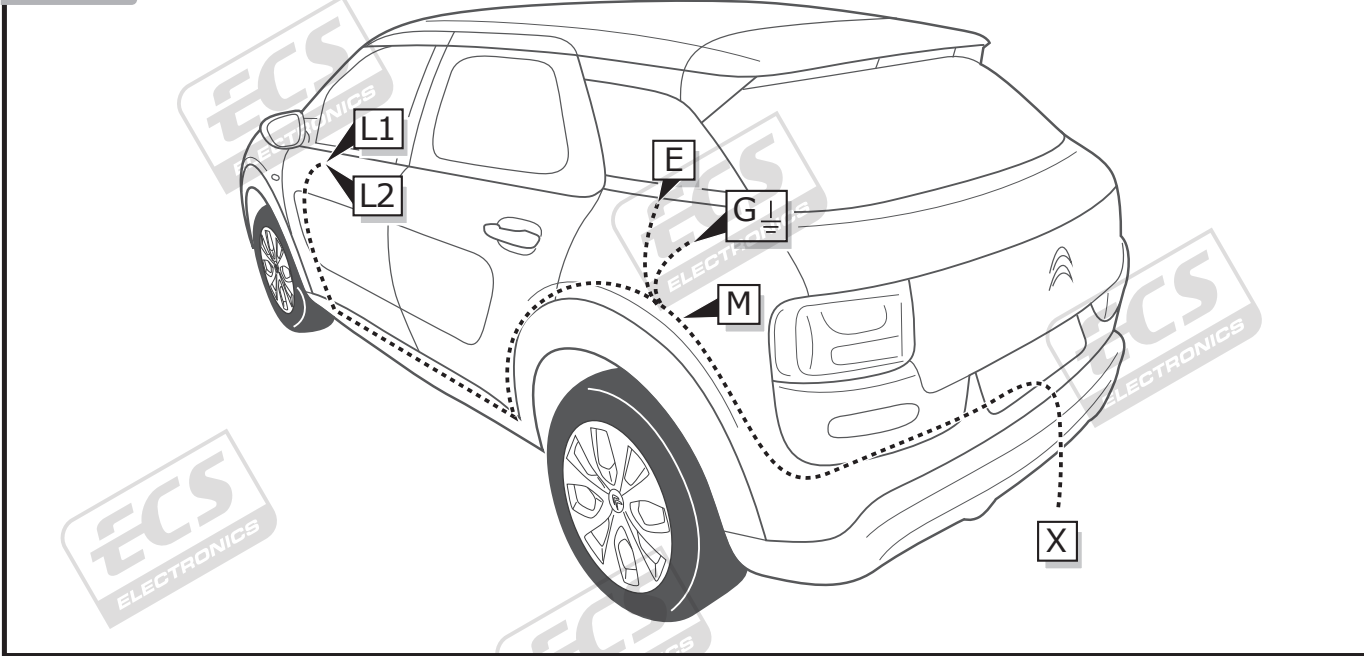


**INFO**



**Coding required for trailer lighting functions**

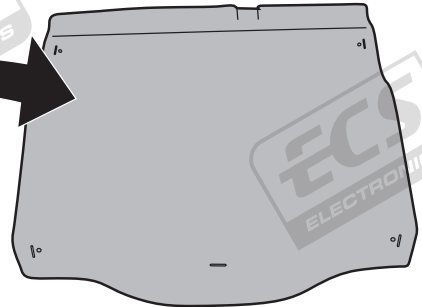
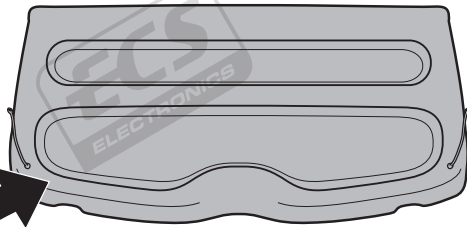
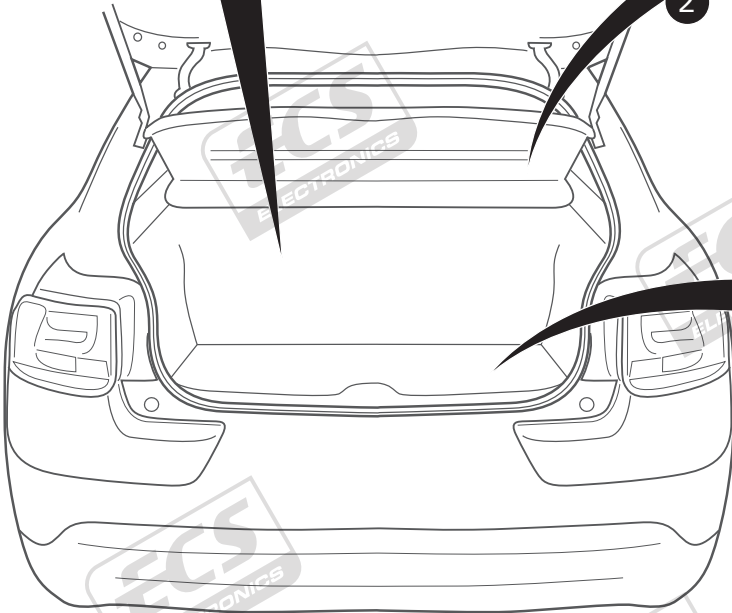
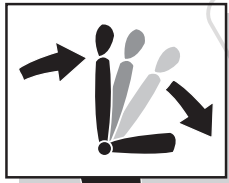
**ROUTING**



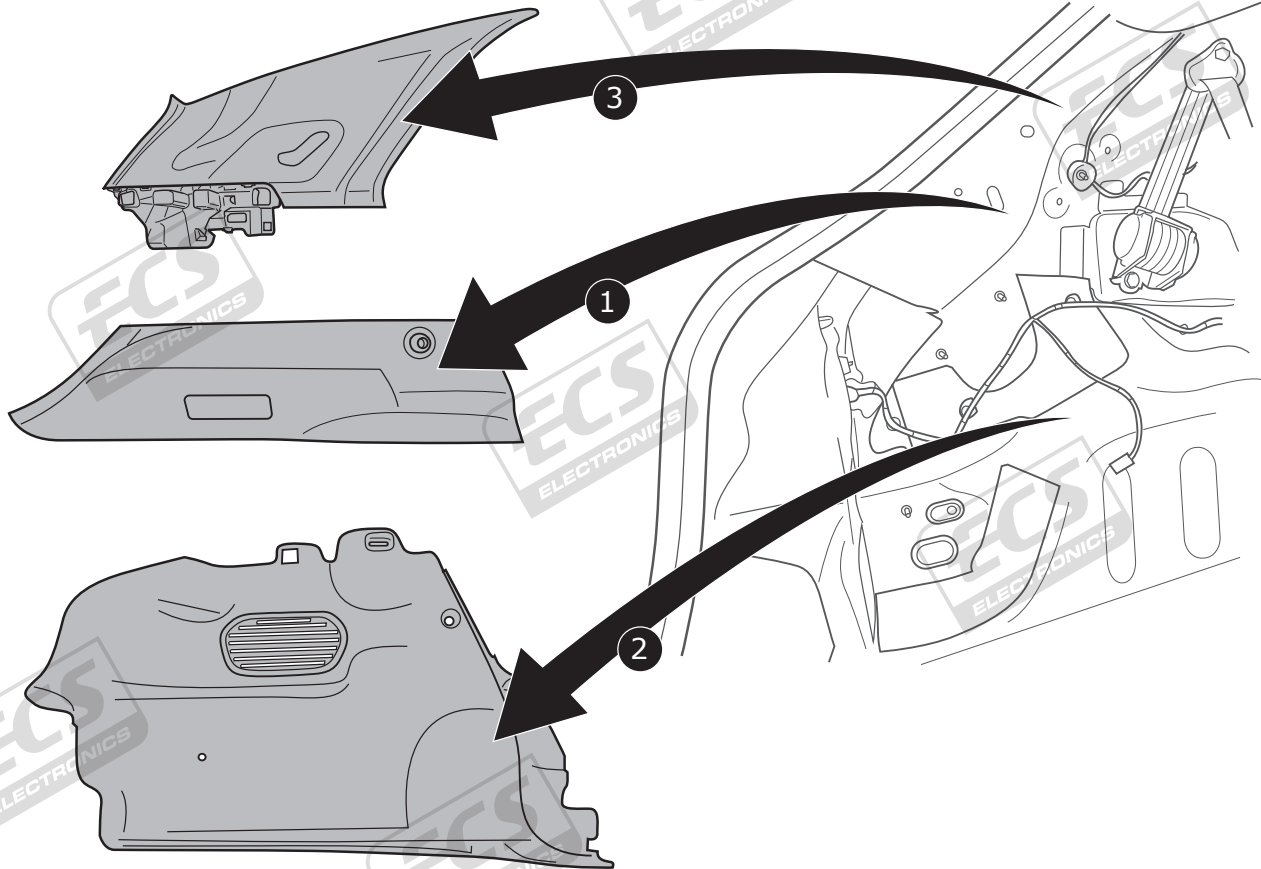
**1**



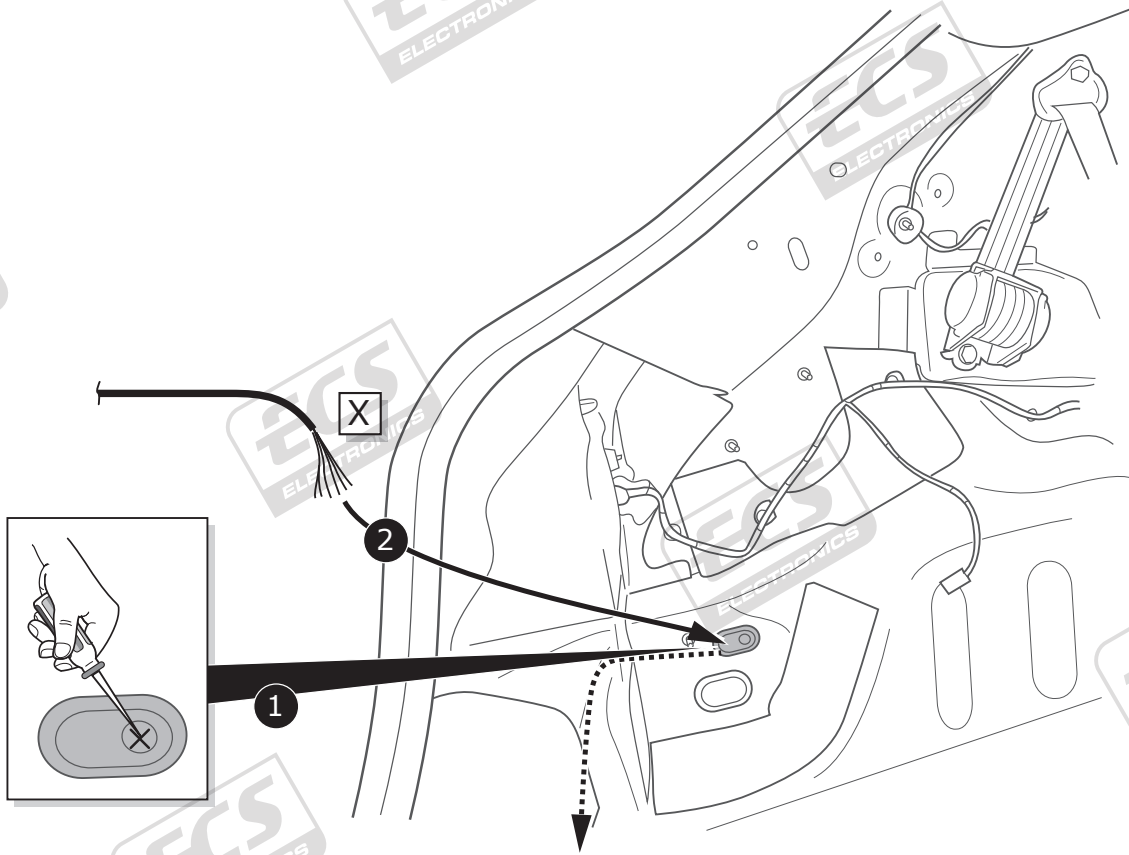
2



3

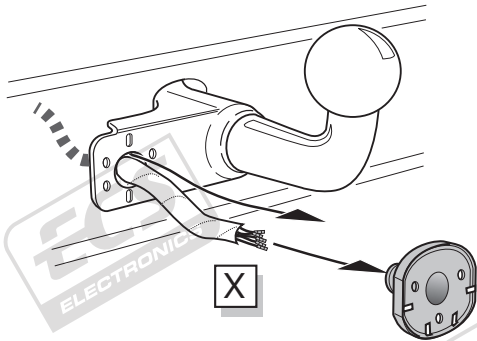


4

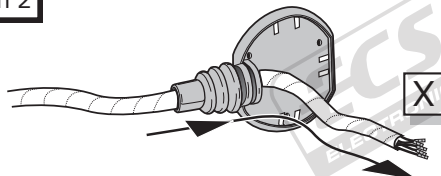


A

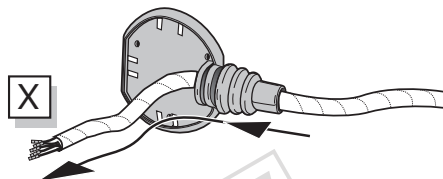
Option 1



Option 2



Option 3



INFO

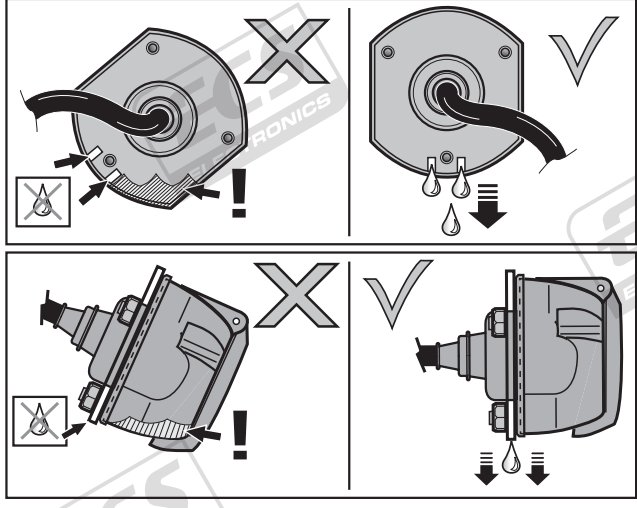
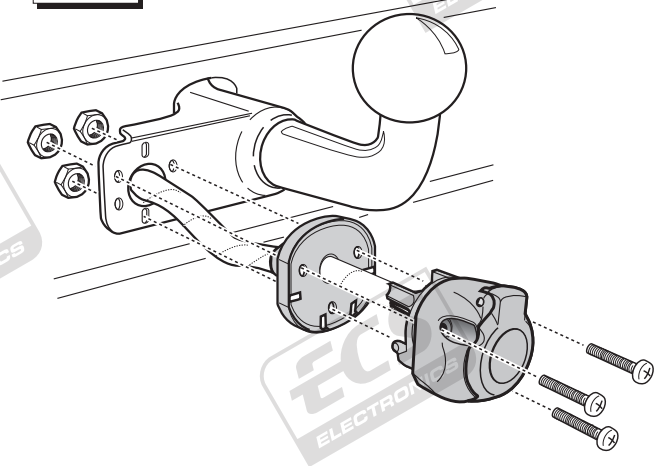
SOCKET CONNECTION



Page 21

**B**

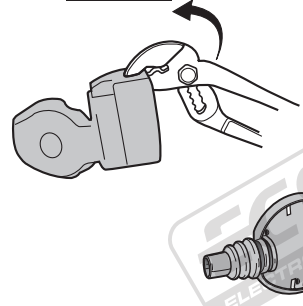
Option 1



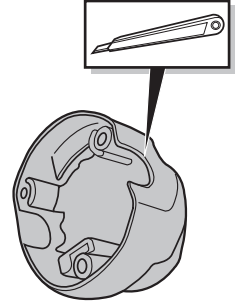
**C**

Option 2

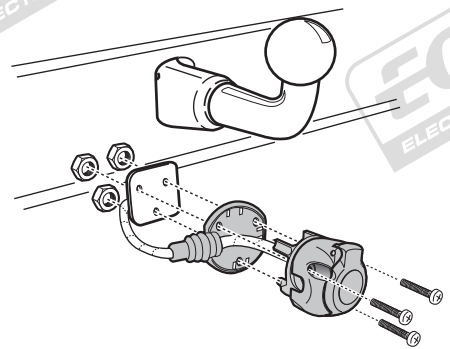
1



2



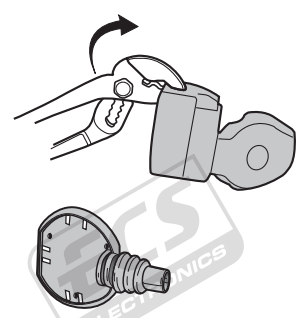
3



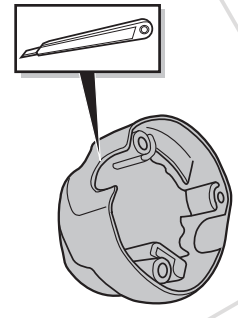
**D**

Option 3

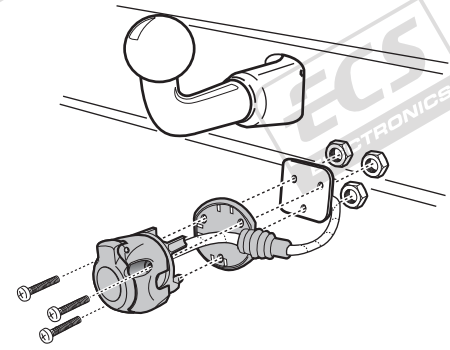
1



2

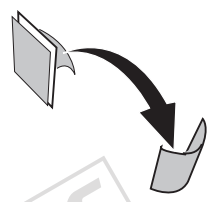
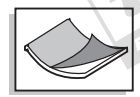
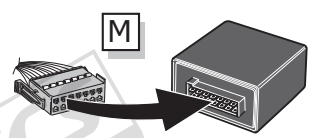


3

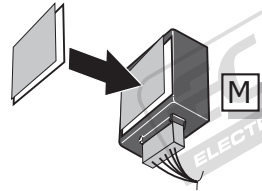


**5**

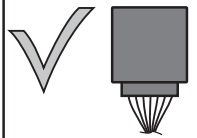
1



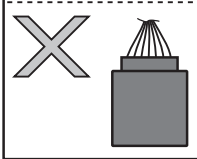
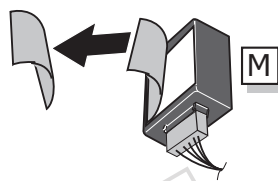
2



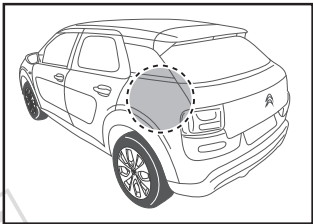
3



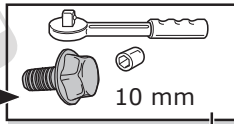
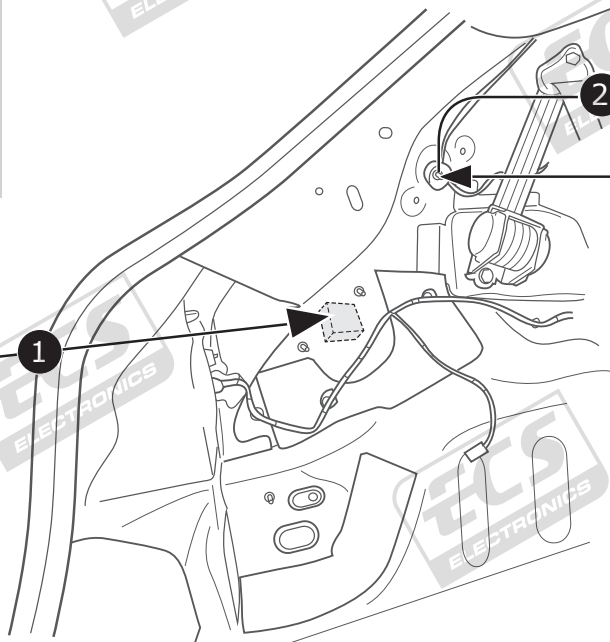
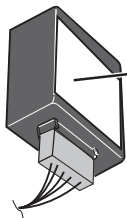
4



6

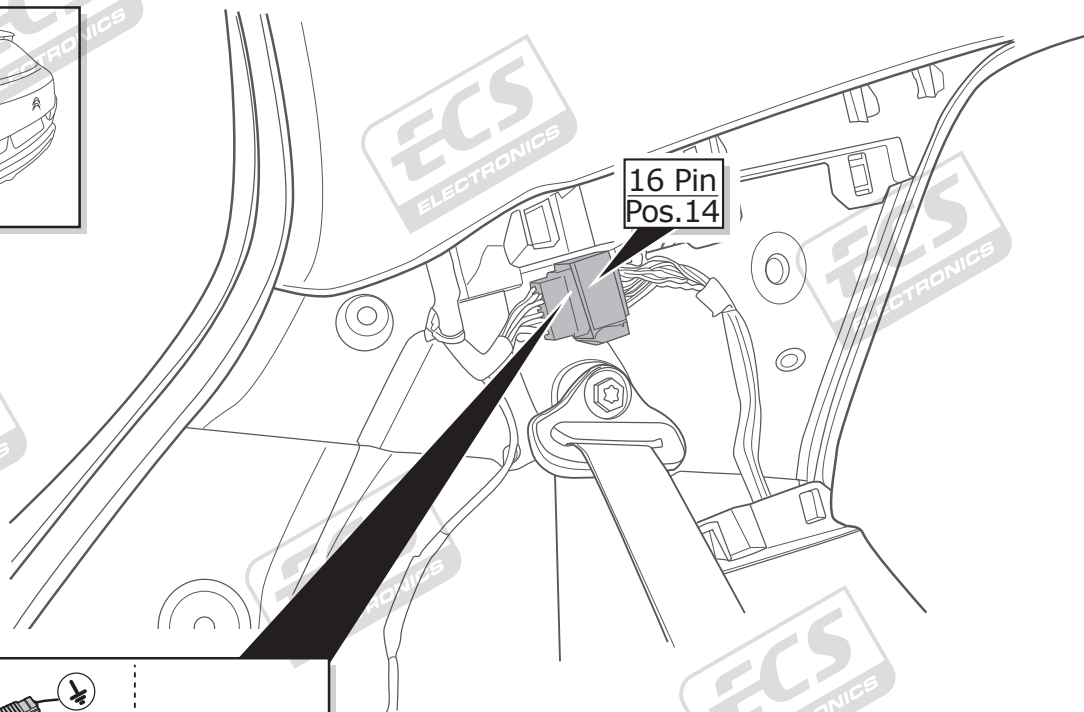
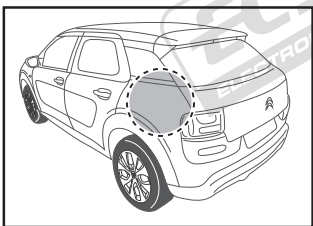


M

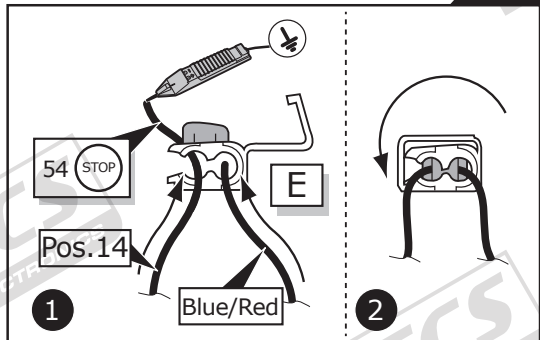


G

7

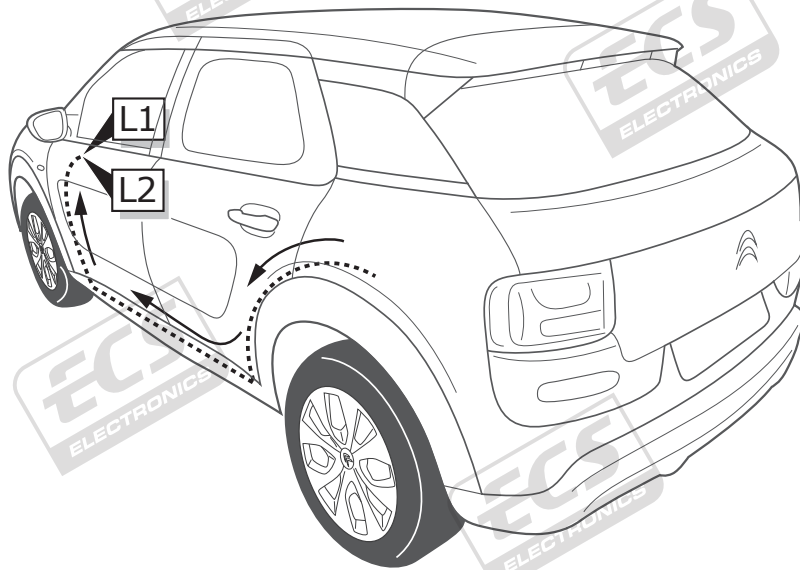


16 Pin  
Pos. 14



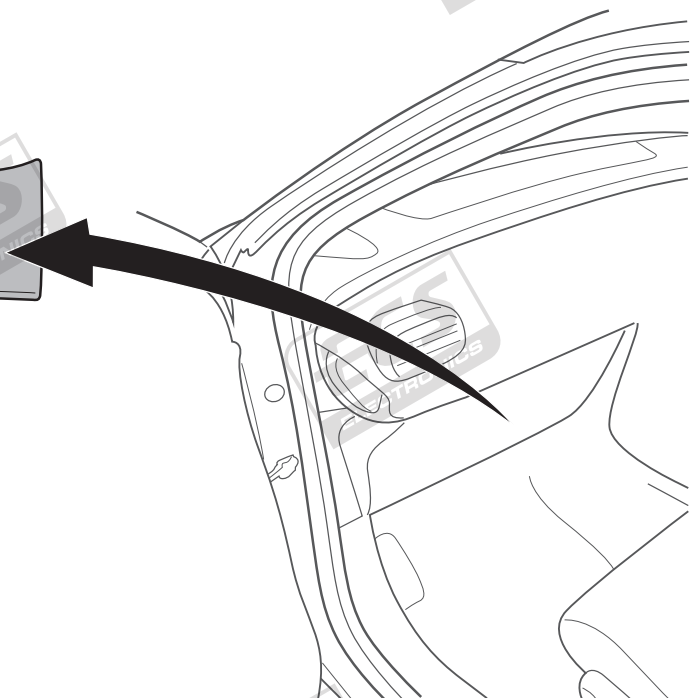
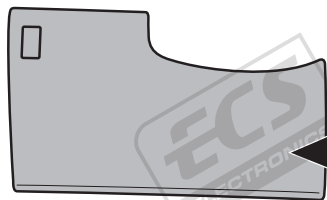
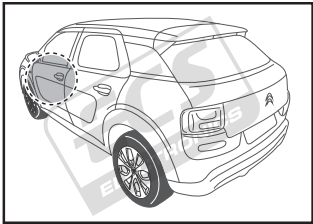
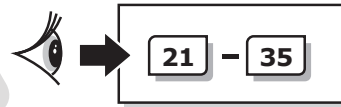
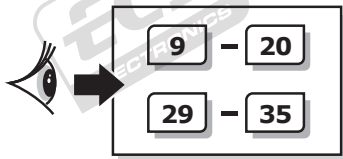
1

2

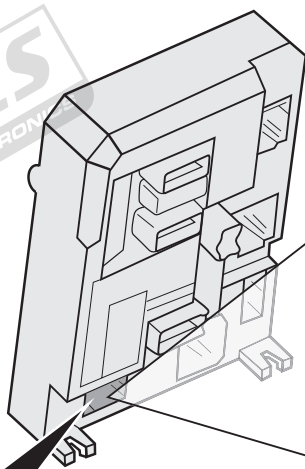
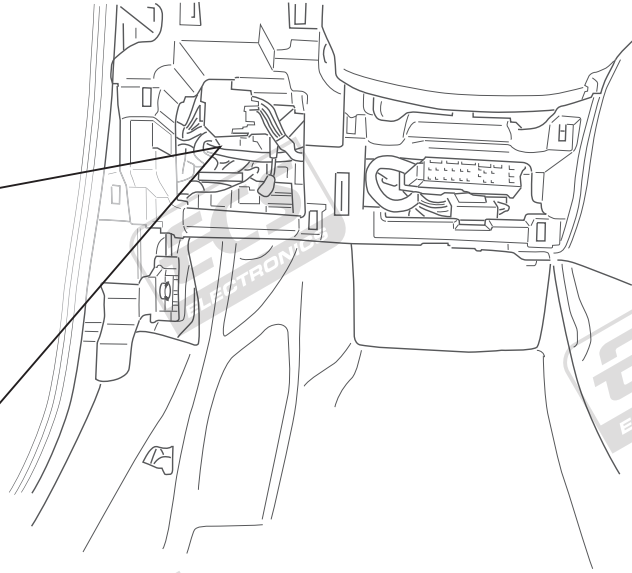
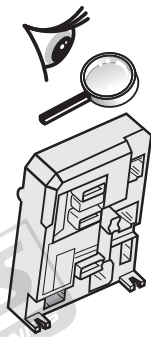
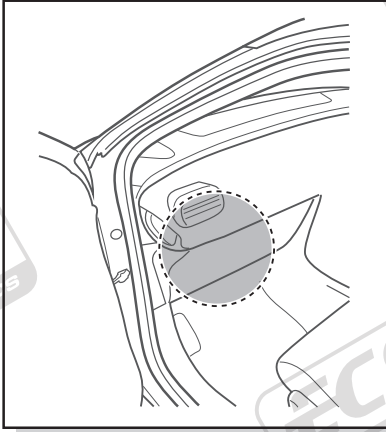


Citroën C4 Cactus 07/2014 >> 02/2018

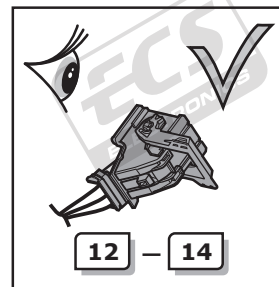
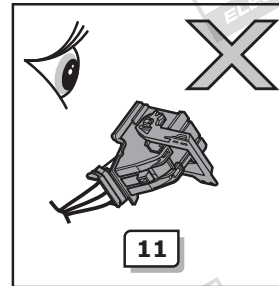
Citroën C4 Cactus 03/2018 >>



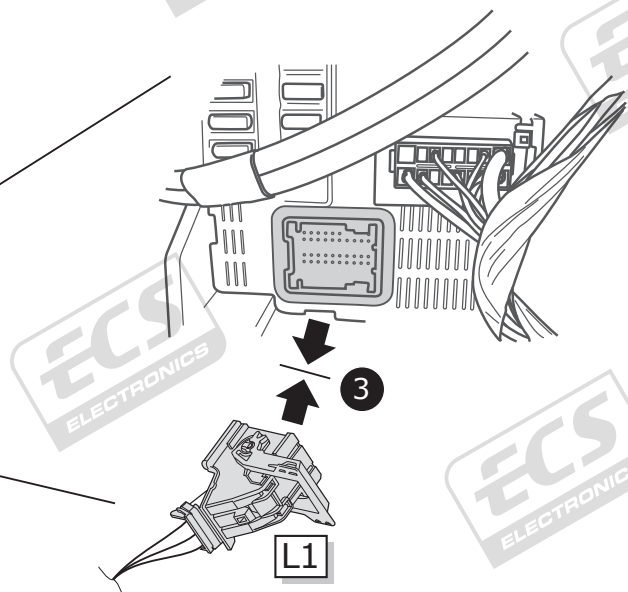
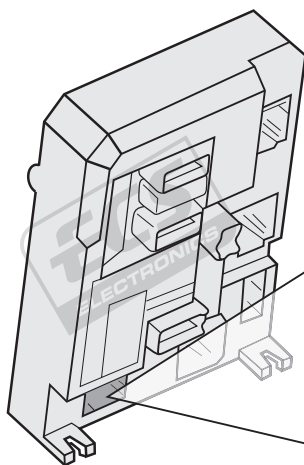
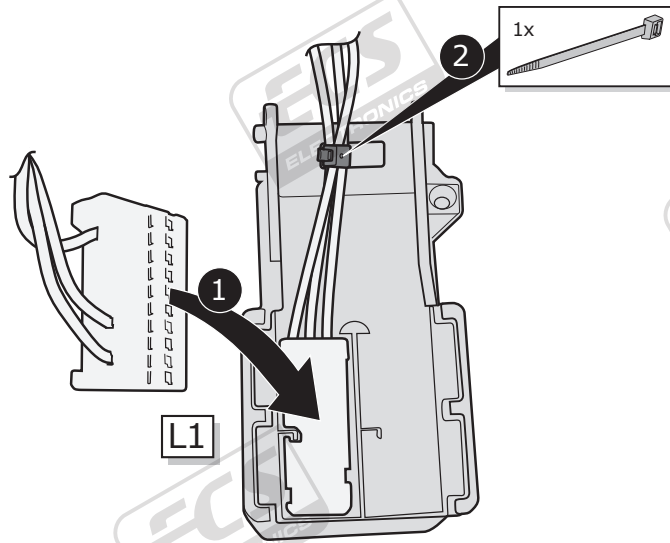
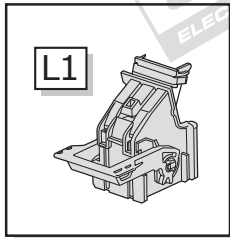
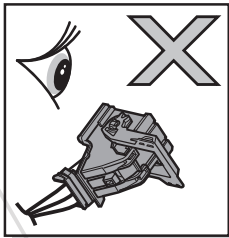




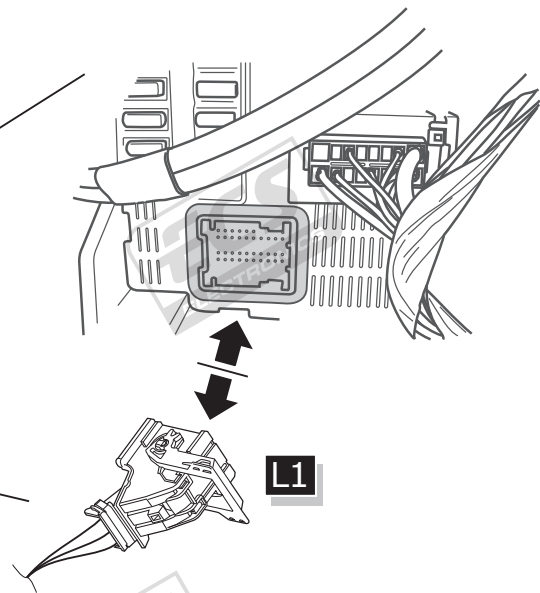
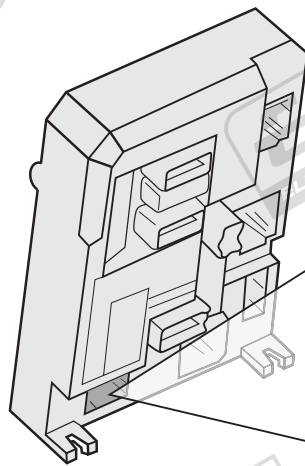
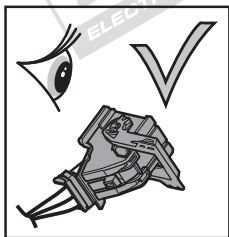
40-pin  
Black

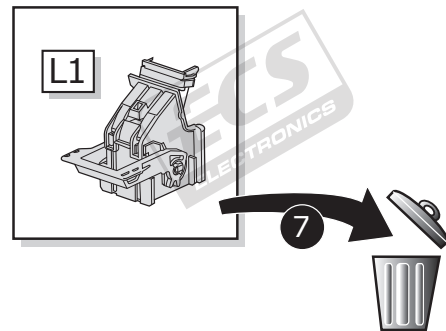
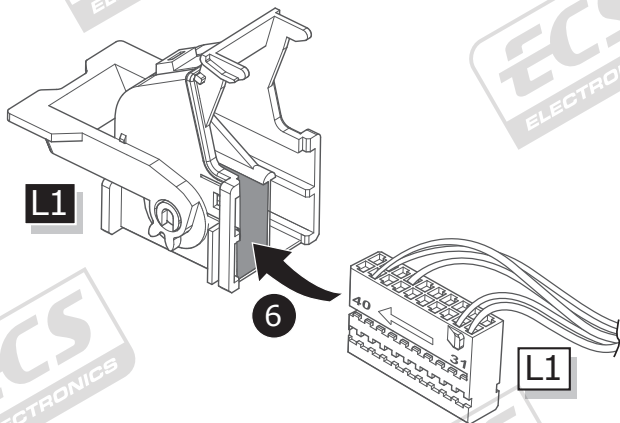
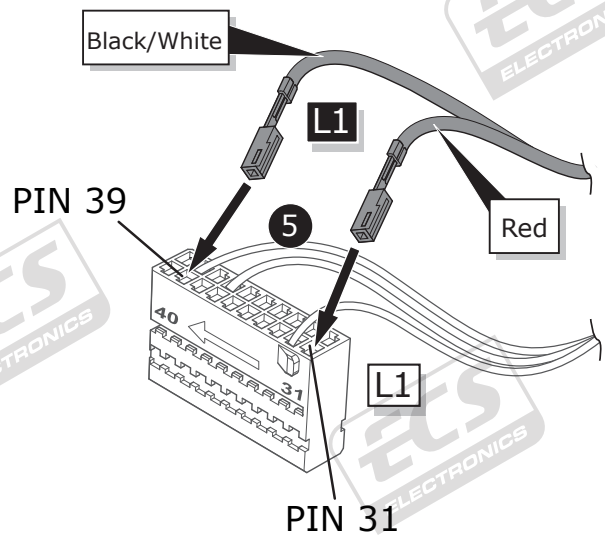
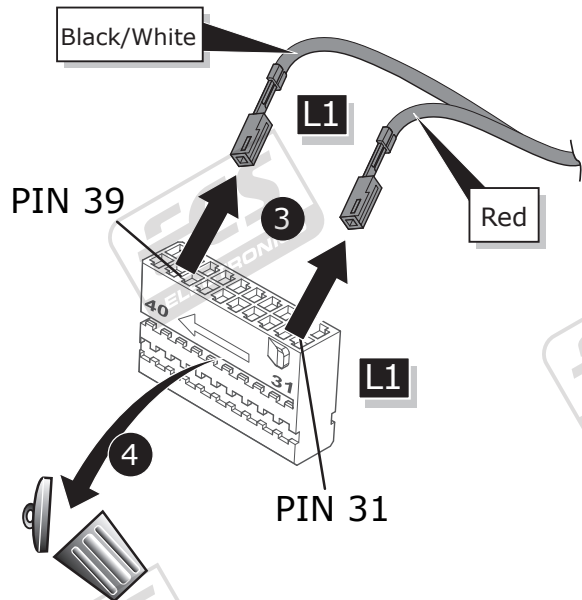
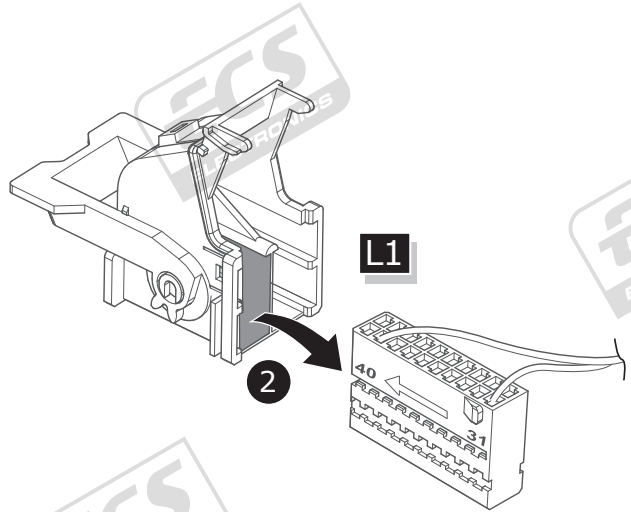
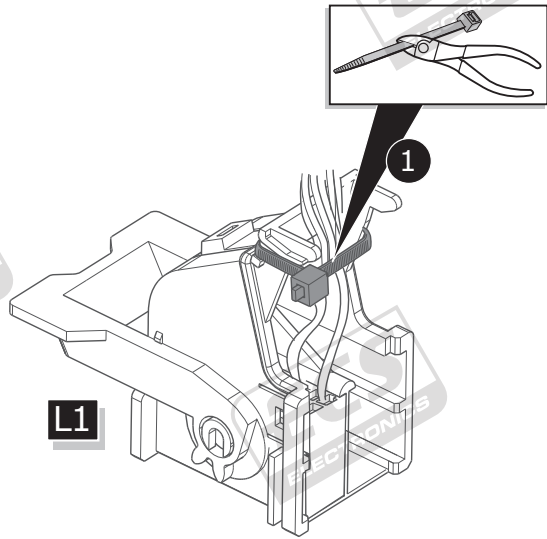


11

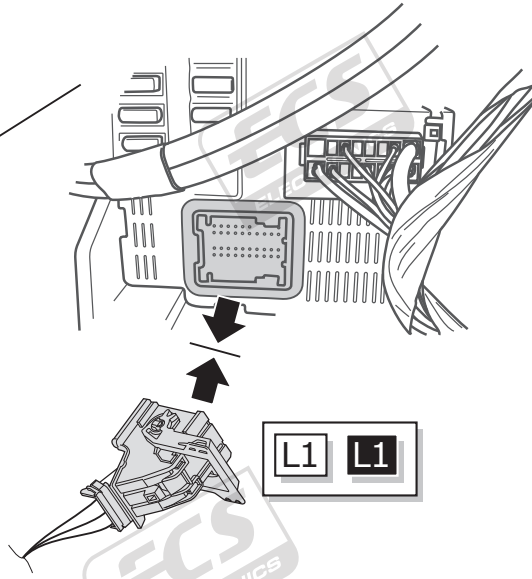
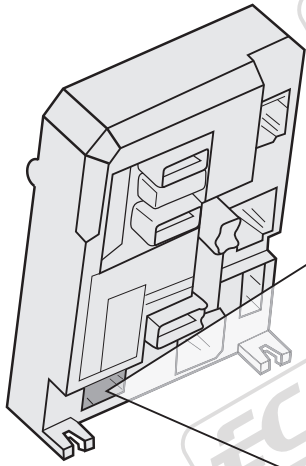


12

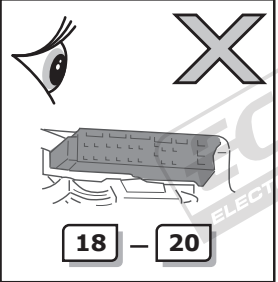
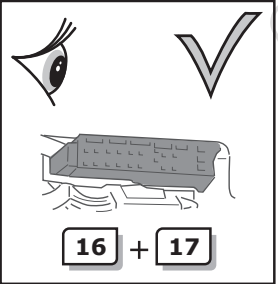
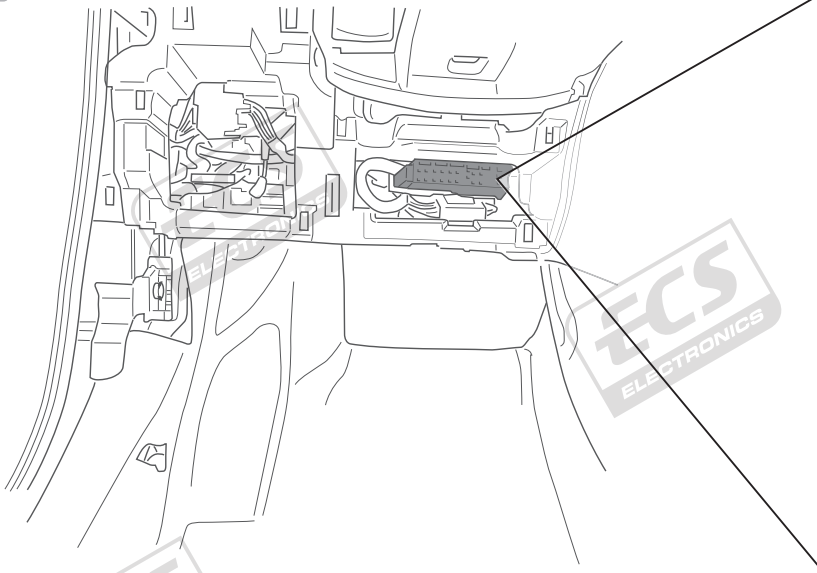




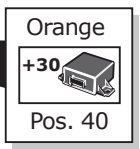
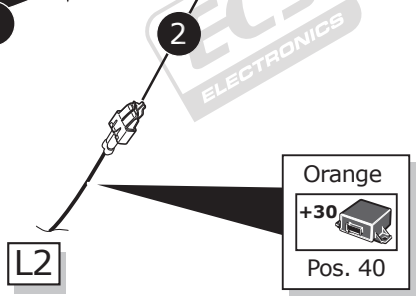
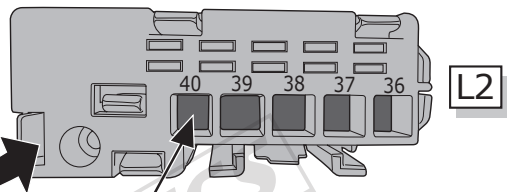
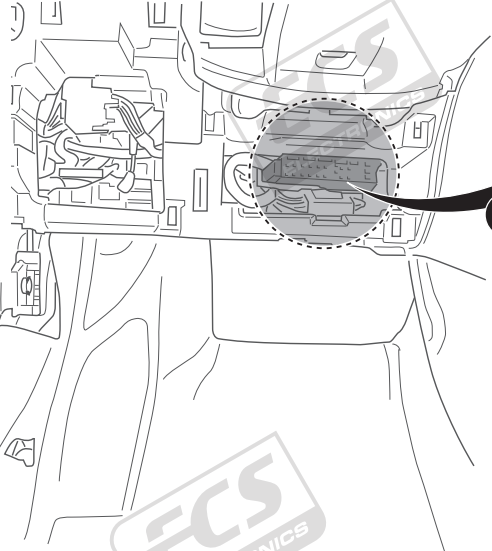
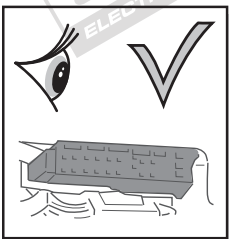
14



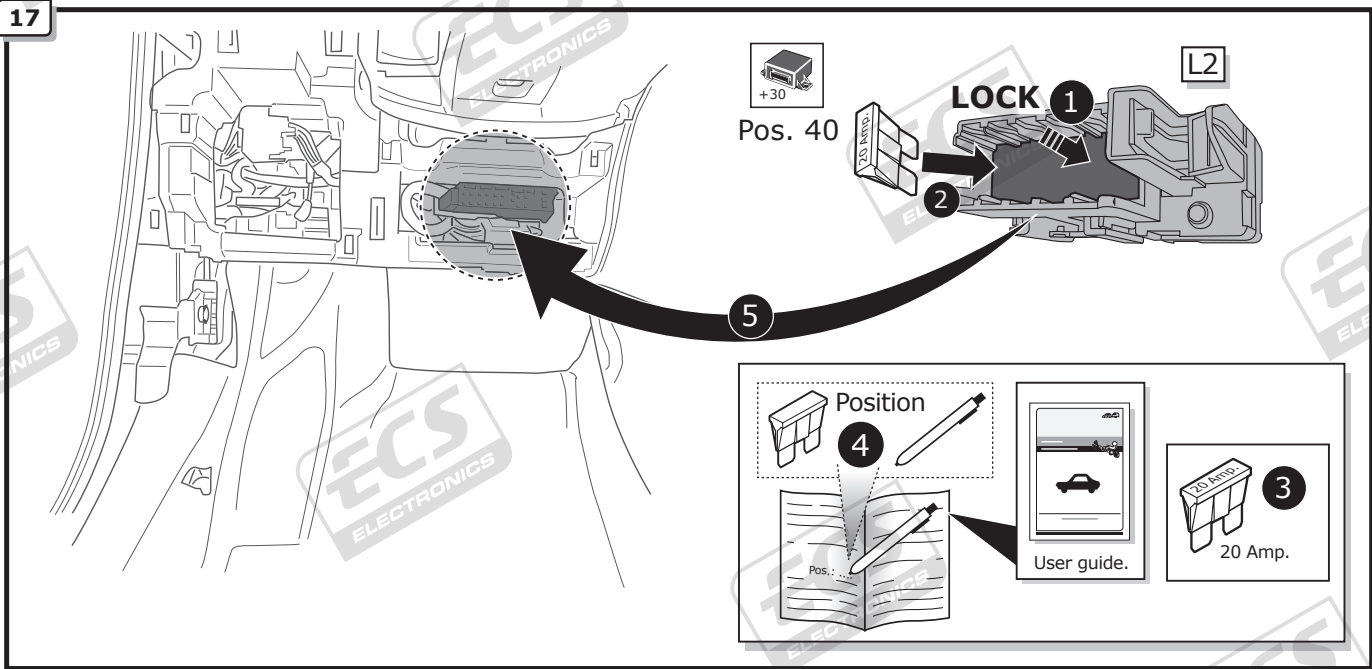
15



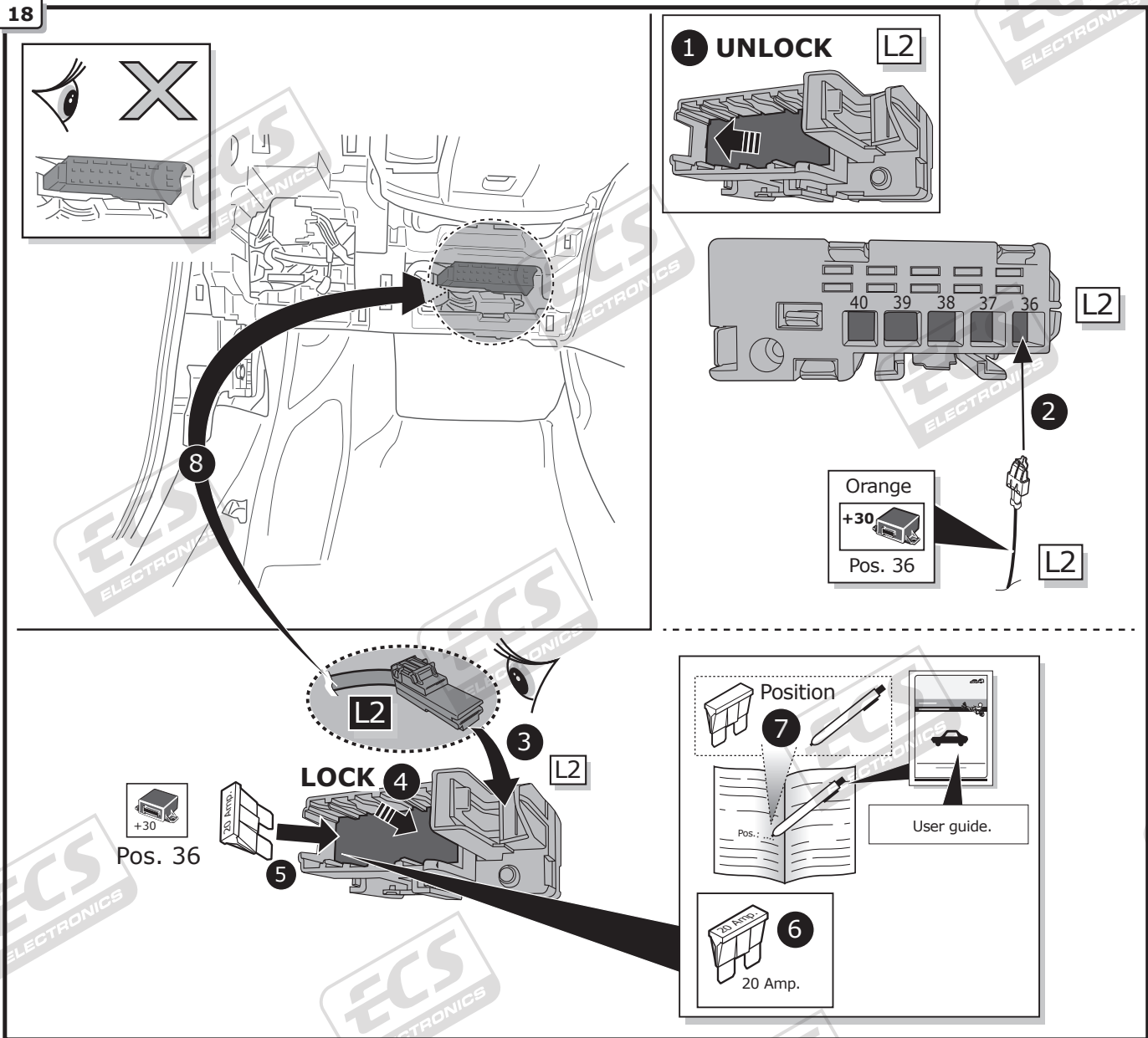
16



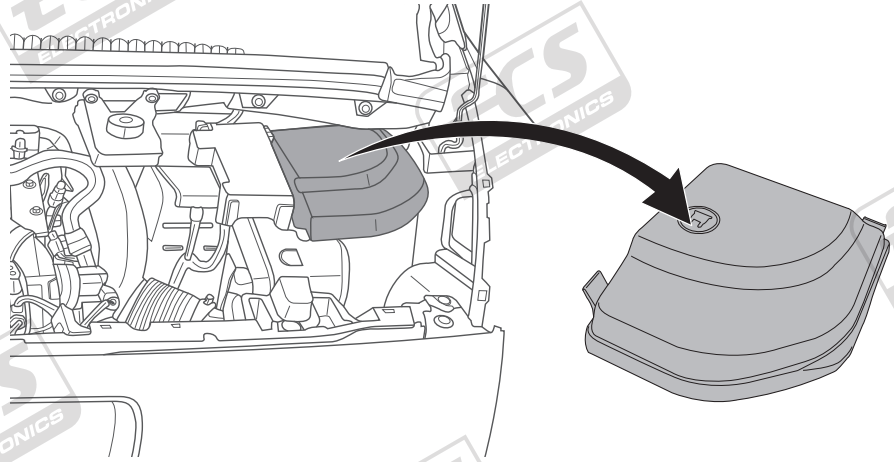
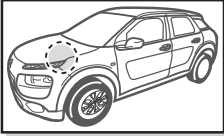
17



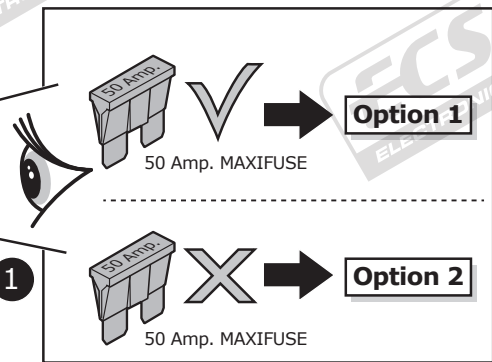
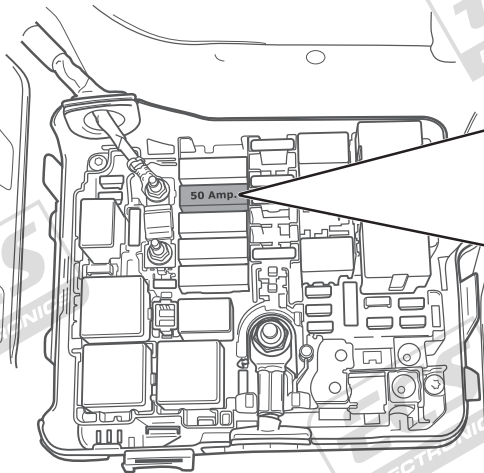
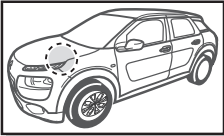
18



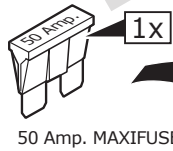
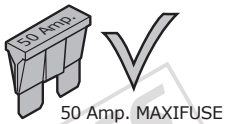
19



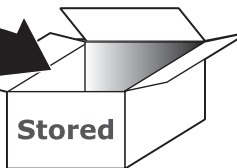
20



**Option 1**

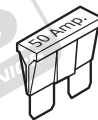
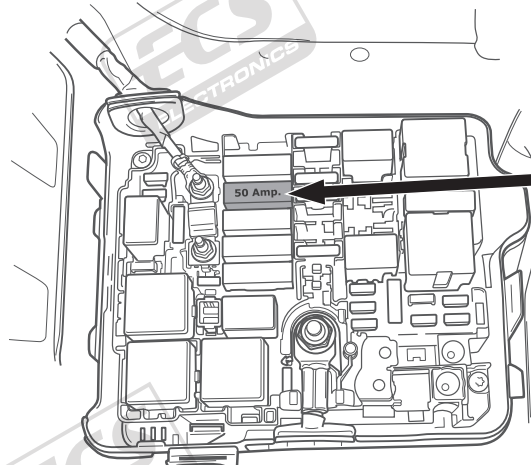
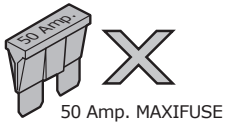


50 Amp. MAXIFUSE



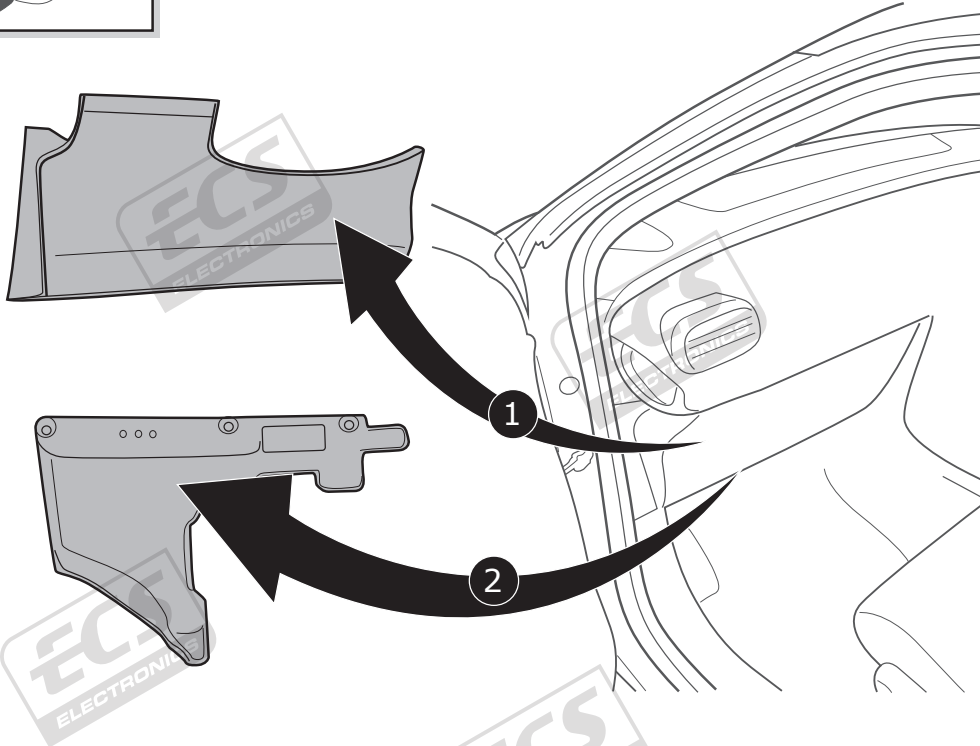
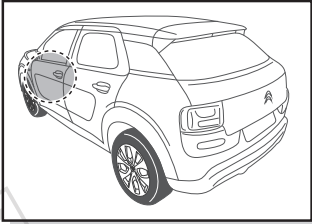
Stored

**Option 2**

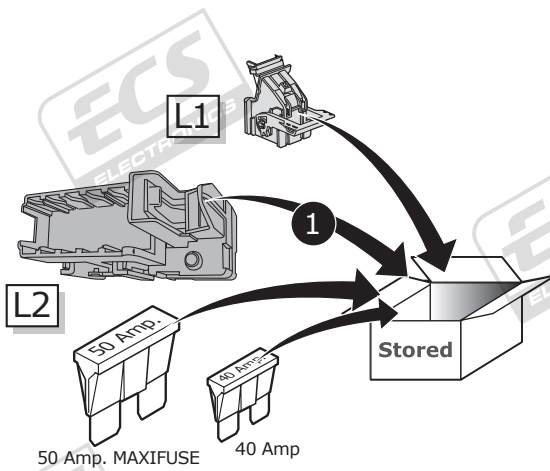


50 Amp. MAXIFUSE

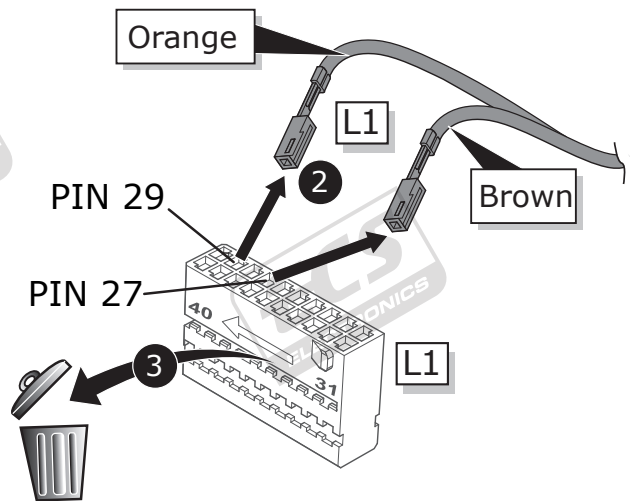
21



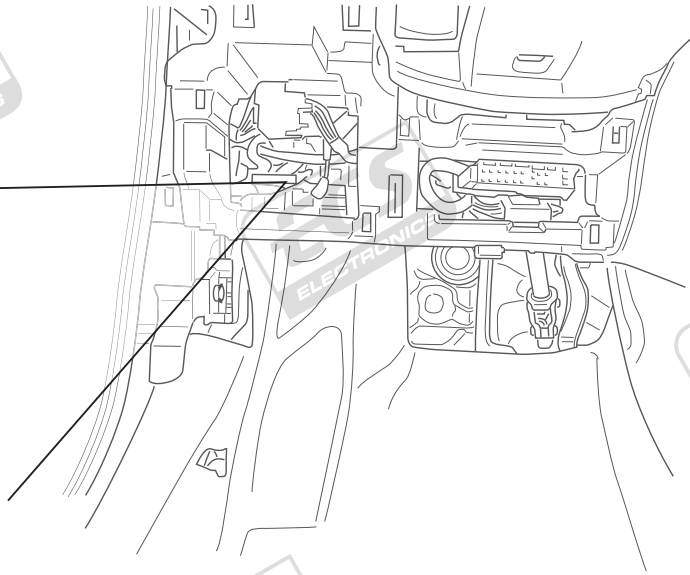
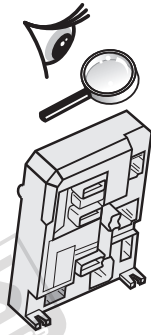
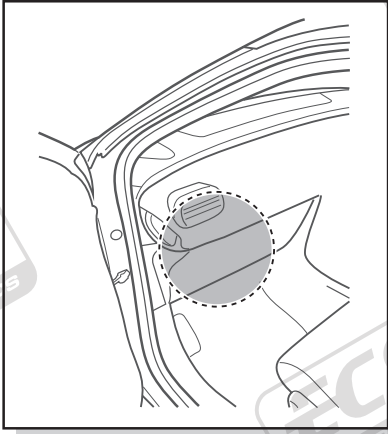
22



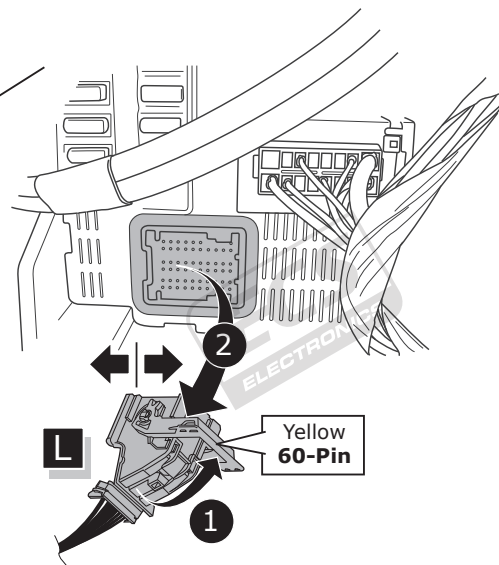
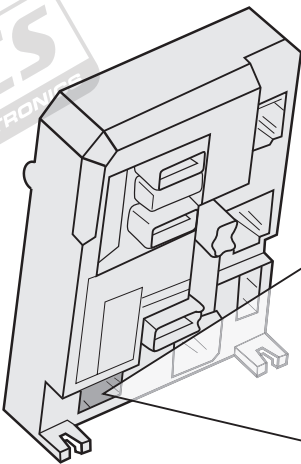
If not used



23

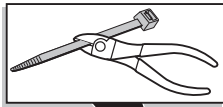


24

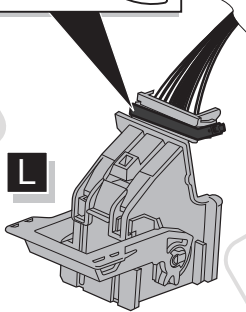




25

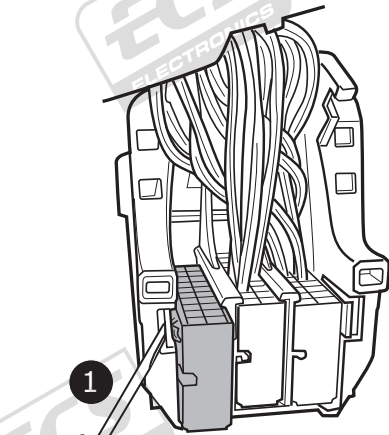


L

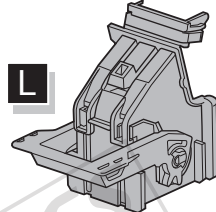


1

Open Lock!

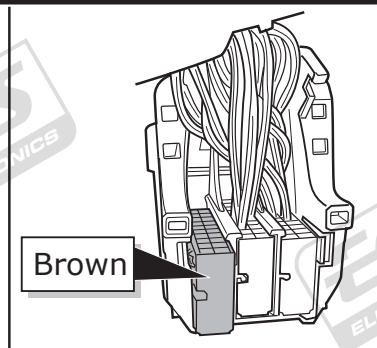
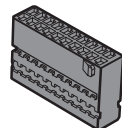


L



2

L1



Brown

26

⚠	Pin 47 → ←	Brown
	Pin 49 → ←	Orange

Orange

L1

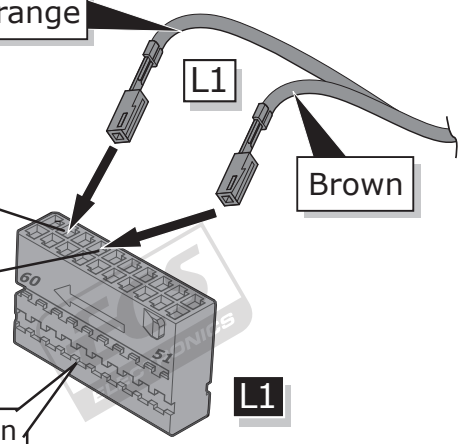
Brown

PIN 49

PIN 47

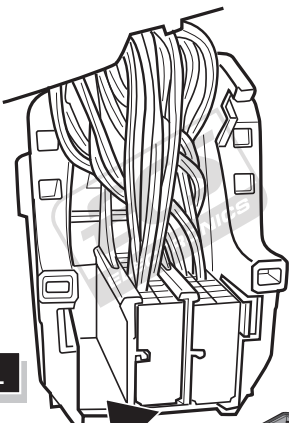
Brown

L1



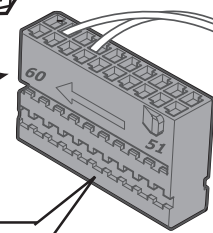
27

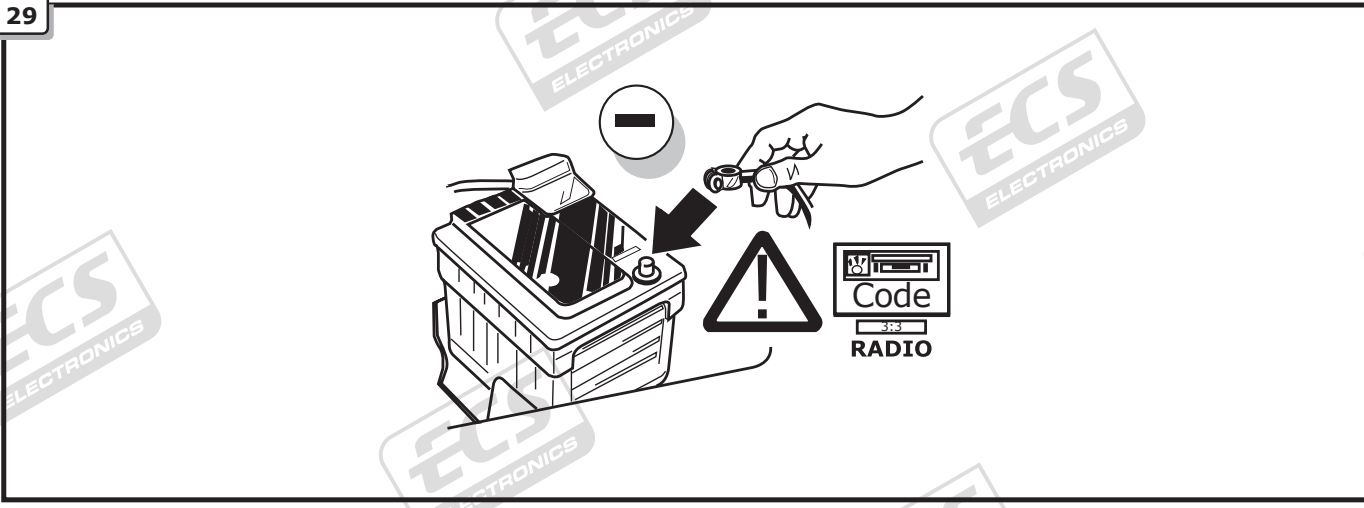
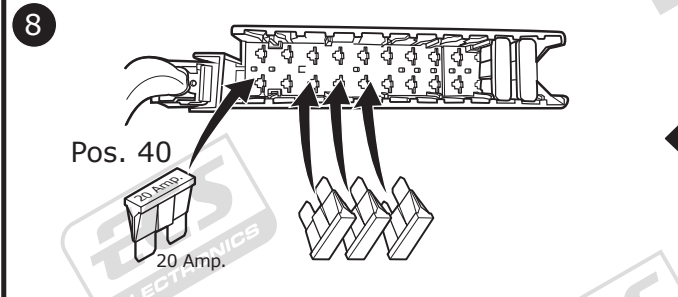
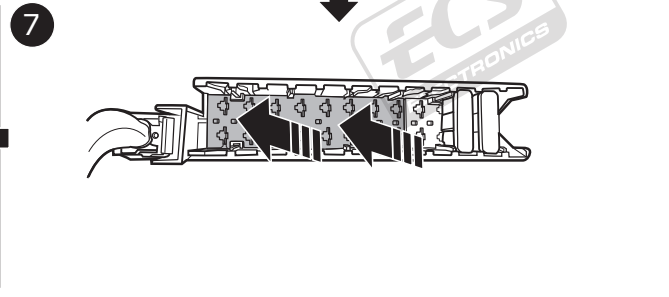
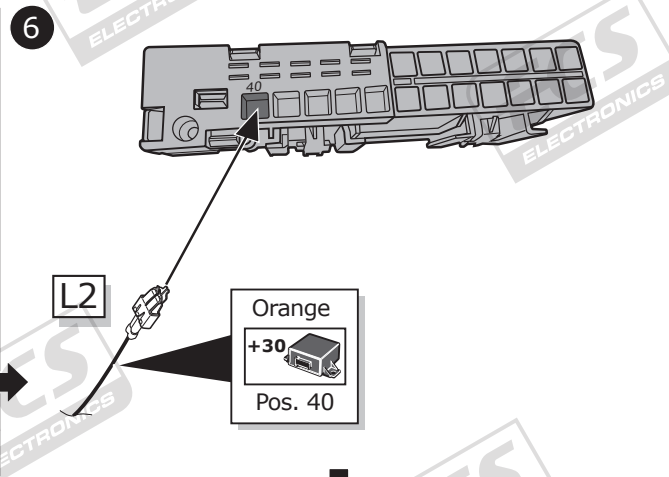
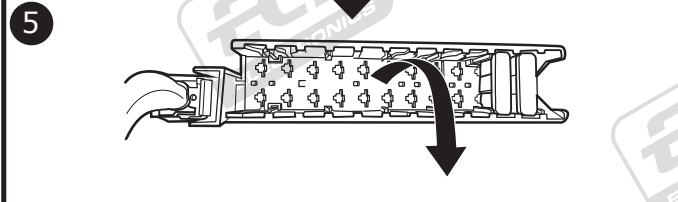
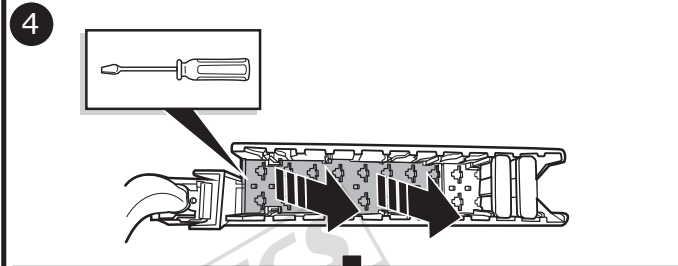
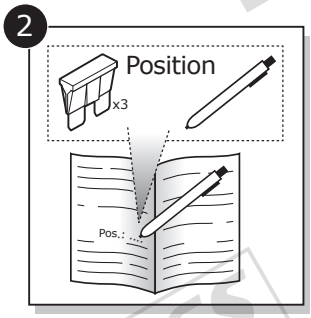
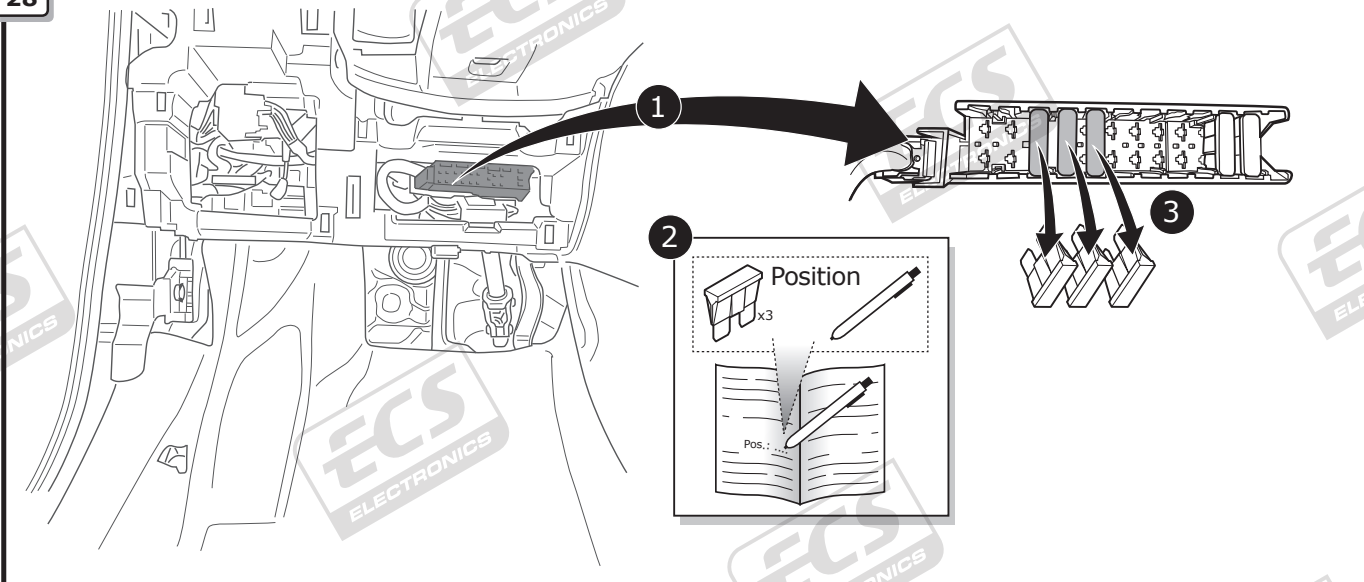
L

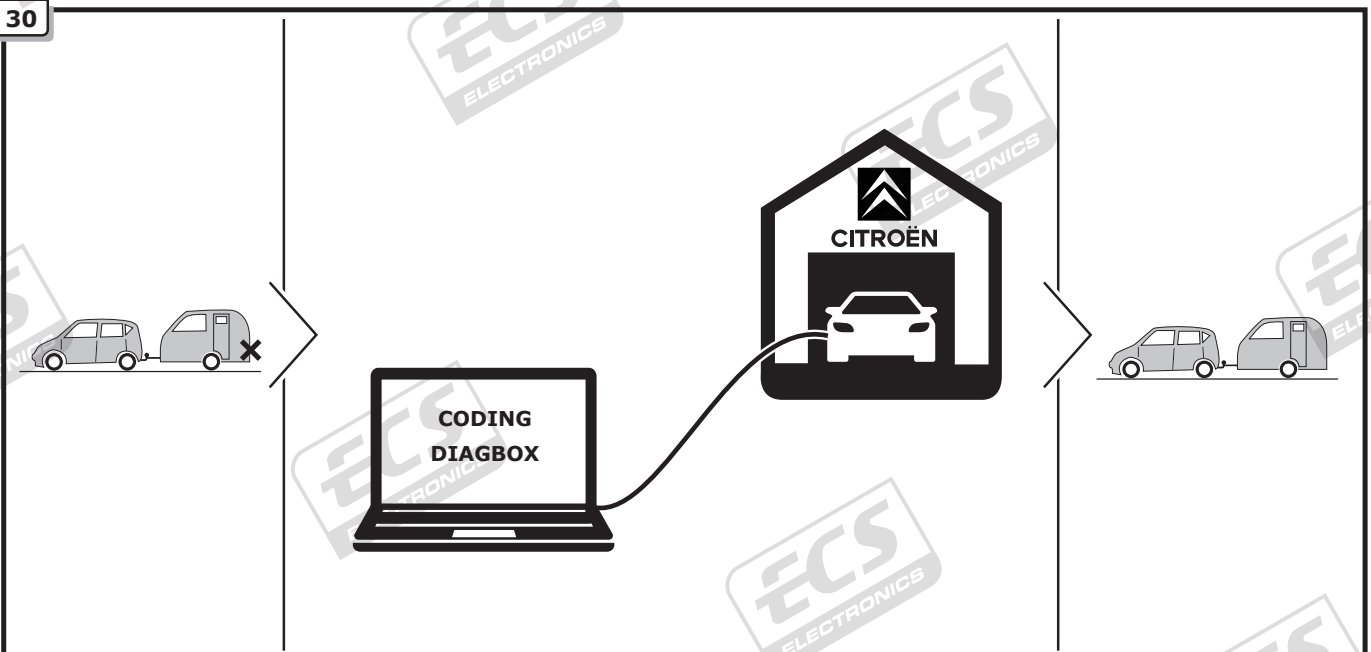


L1

Brown



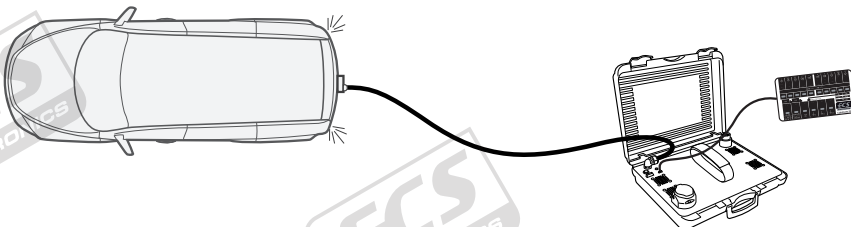
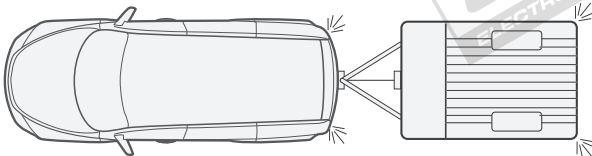
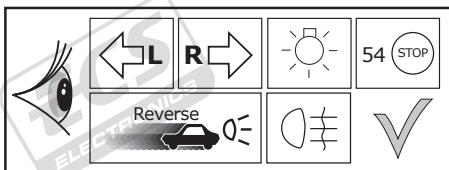




The activation of the trailer functions has to be carried out using the **CITROËN DIAGBOX** as follows:

- choose vehicle
- delivery
- equipment
- trailer control unit (BSR)
- installation of equipment

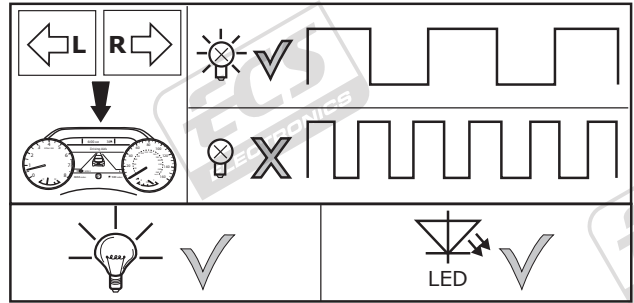
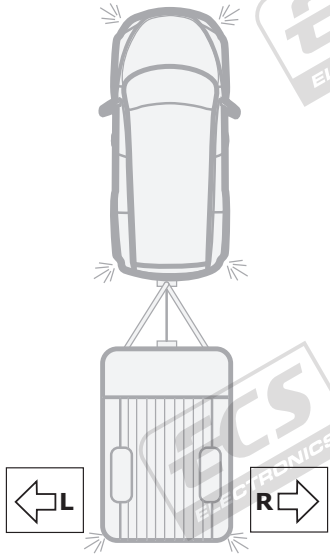
### Functional test



**LIGHT MATE®**

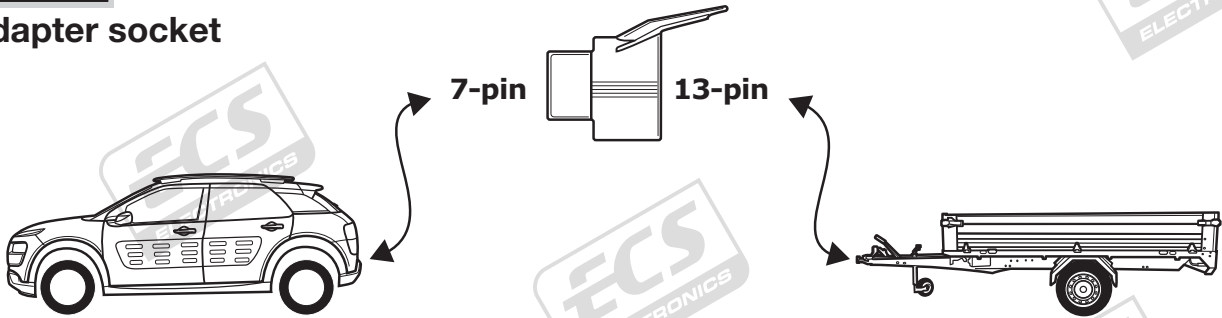
**ECS** part no.  
**LIGHTMATE II**  
**LIGHTMATE III**

32

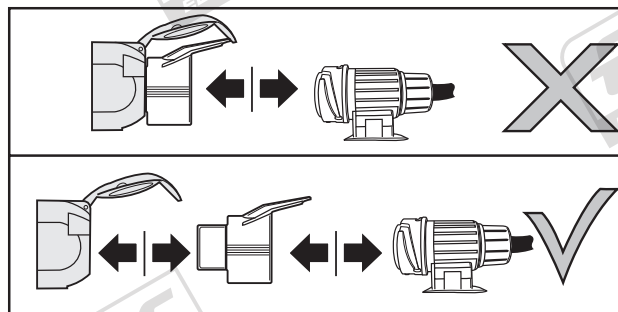
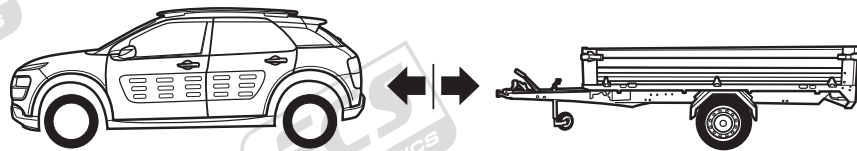


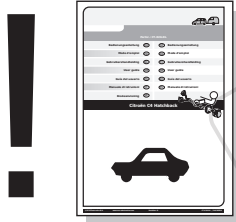
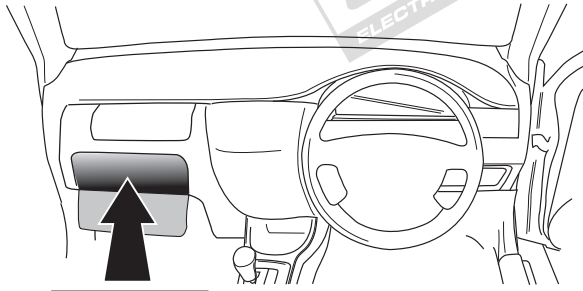
33

**Optional**  
**Adapter socket**



34





# User guide



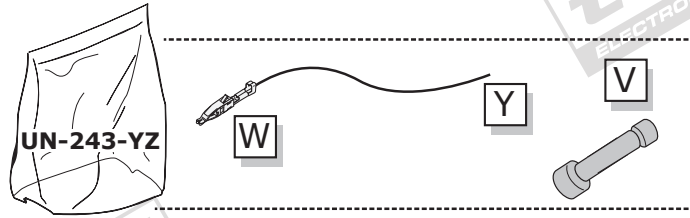
**INFO**

## SOCKET CONNECTION

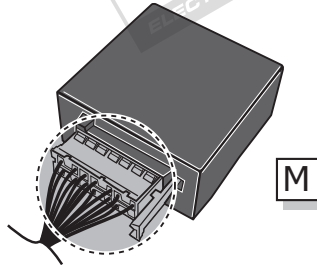
DIN/ISO 1724							
	1/L	2	3/31	4/R	5/58-R	6/54	7/58-L
Pmax	21W	21W		21W	52W	3x21W	52W
Colour	Yellow	Blue	White	Green	Brown	Red	Black

# UN-243-YZ Reverse lamp pre-wire extension

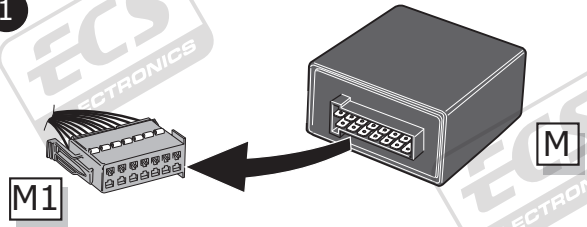
⚠ MAX = 21W



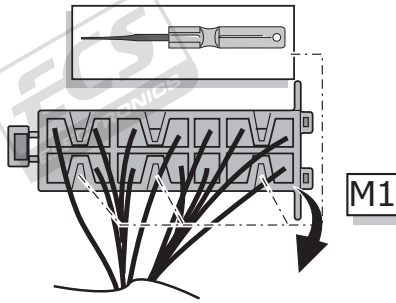
**A**



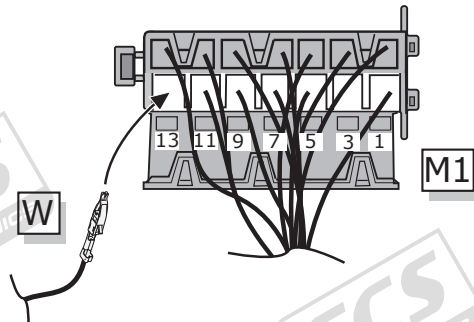
1



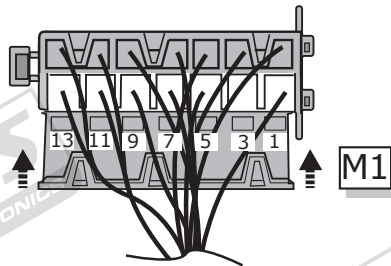
2



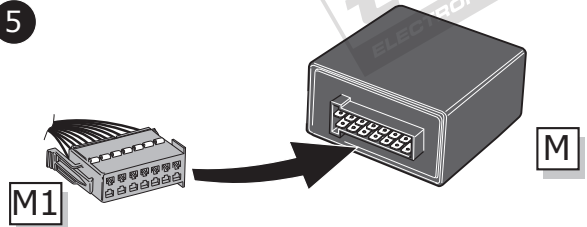
3



4



5



**B**

⚠ MAX = 21W

