

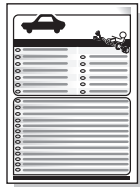
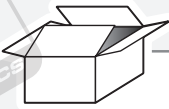
Citroën C3 12/2016 >> 07/2020
Citroën C3 08/2020 >>

Partnr.: PE-065-B1U

- Fitting instructions electric wiring kit tow bar with 12-N socket up to DIN/ISO Norm 1724.
- We would expressly point out that assembly not carried out properly by a competent installer will result in cancellation of any right to damage compensation, in particular those arising by virtue of the product liability act.
- Contents of these kits and their fitting manuals are subject to alteration without notice, please ensure that these instructions are read and fully understood before commencing installation.
- Do not overload circuits; the maximum loads per connection are detailed in this manual.
- Attention! Before Installation, please read this manual carefully and inform your customer to consult the vehicle owners manual to check for any vehicle modifications required before towing.
- In the event of functional problems, troubleshooting must be limited to about 0.5 hours, contact the technical support:
ukts@ecs-electronics.com / 07440 202 052.



Part list



1x

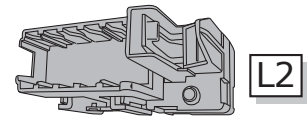


Optional UN-243-YZ

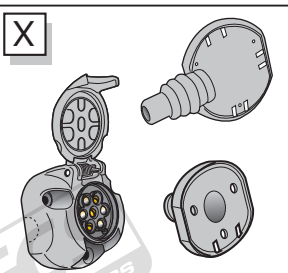
Reverse lamp pre-wire extension



Page 16



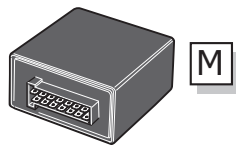
L2



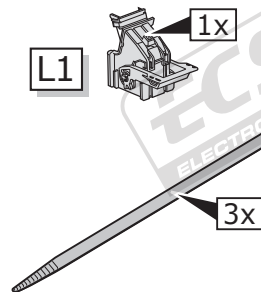
X

L1

L1



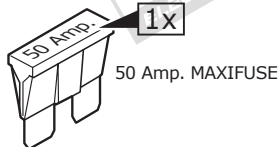
M



3x



3x

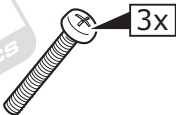


1x

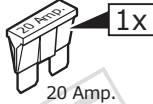
50 Amp. MAXIFUSE



1x

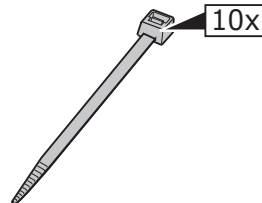


3x

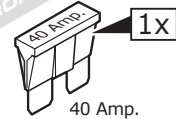


1x

20 Amp.



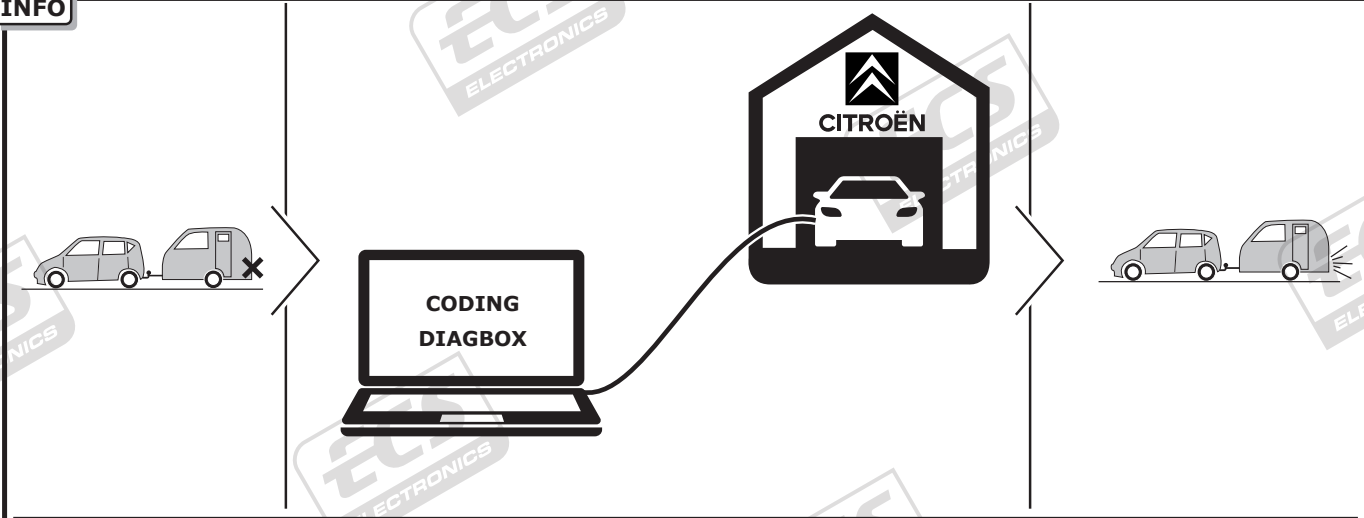
10x



1x

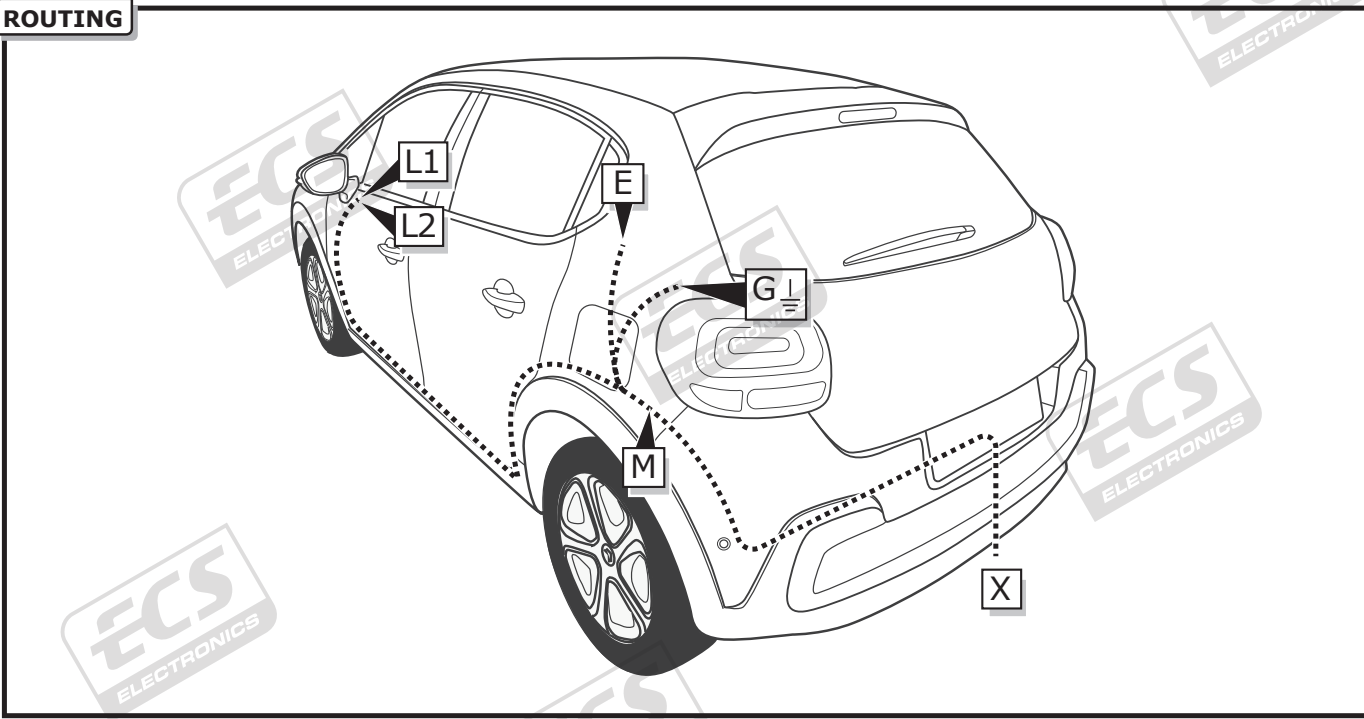
40 Amp.

INFO

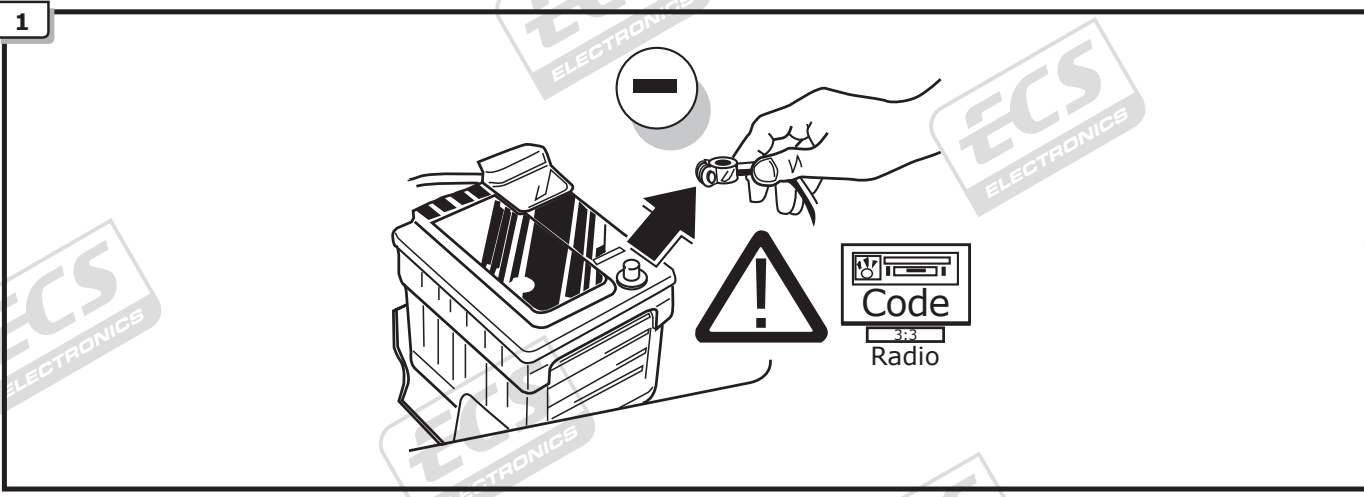


Code vehicle for lighting functions

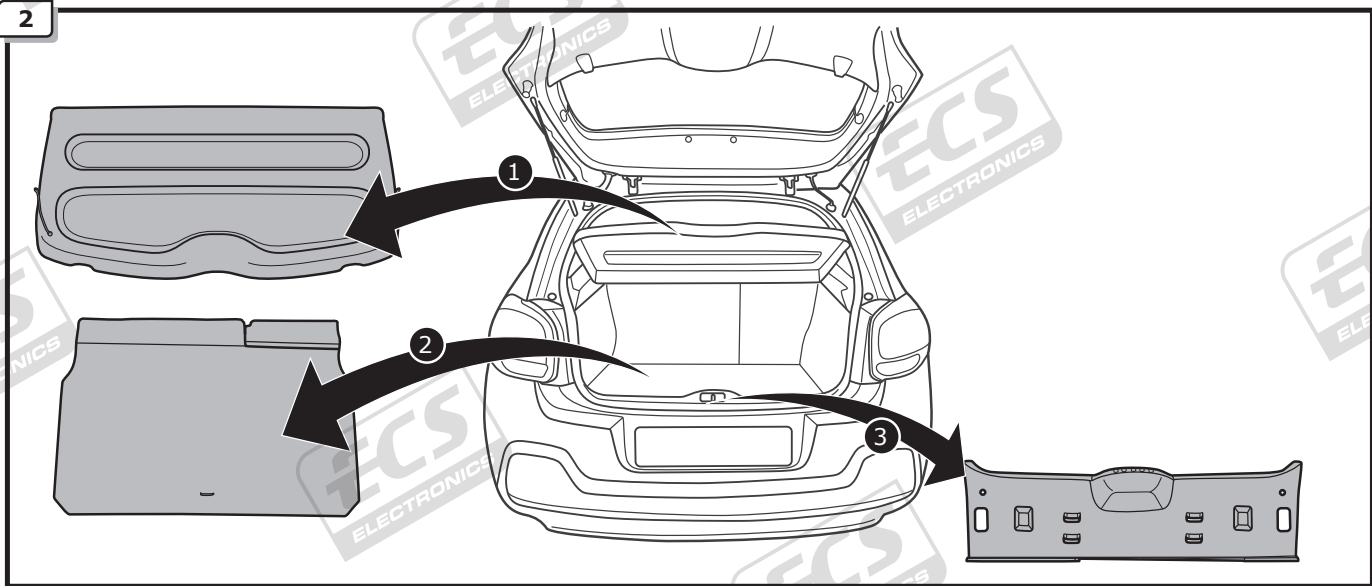
ROUTING



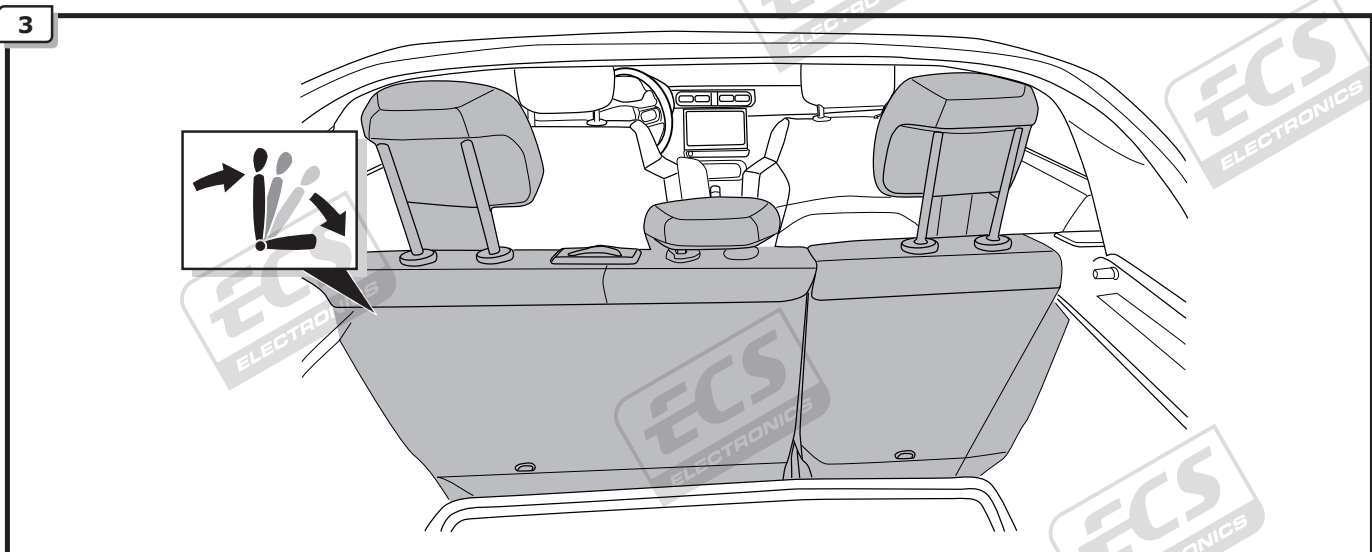
1



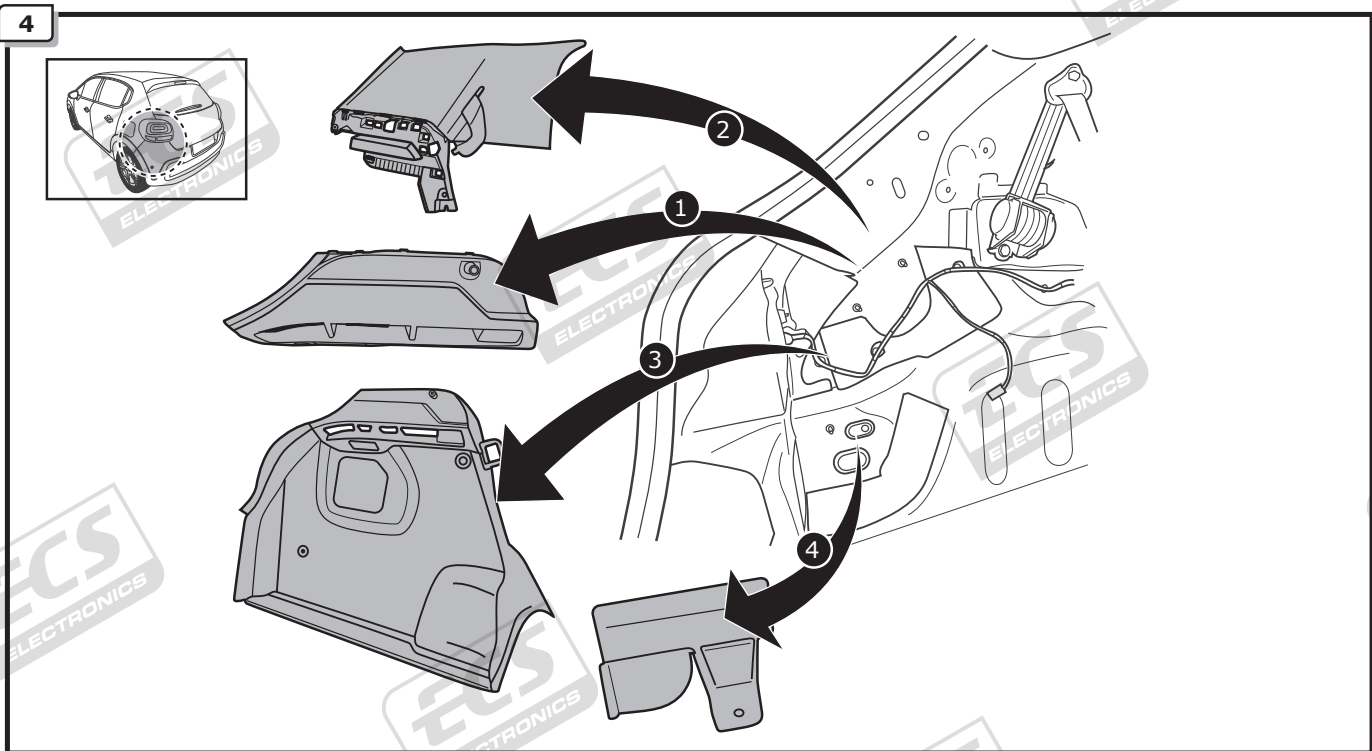
2



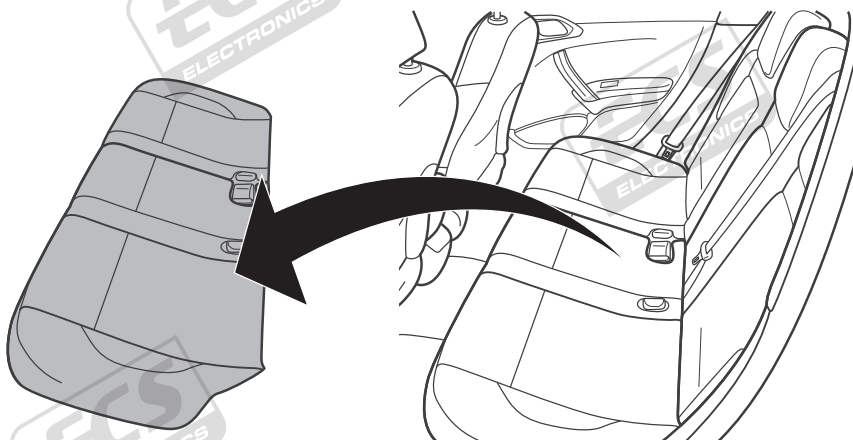
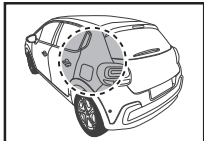
3



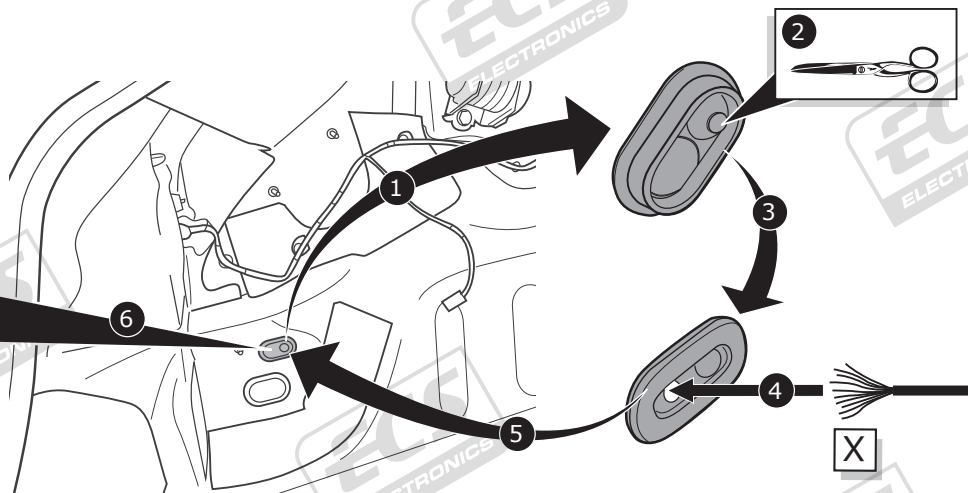
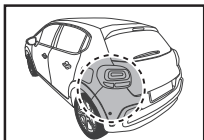
4



5

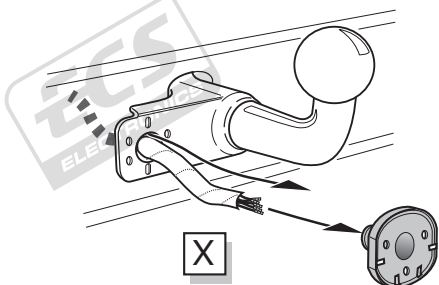


6

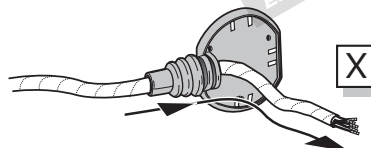


A

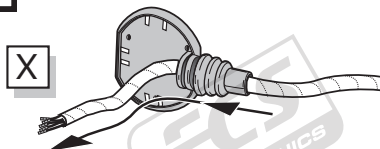
Option 1



Option 2



Option 3



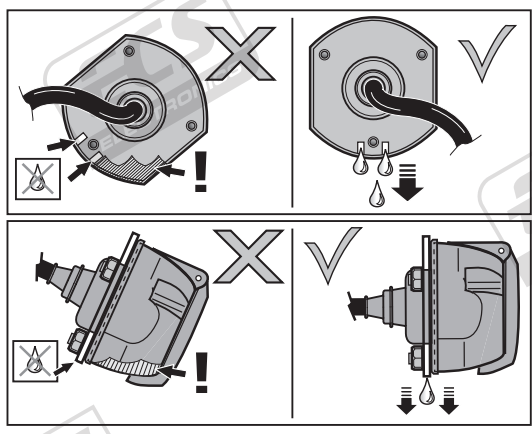
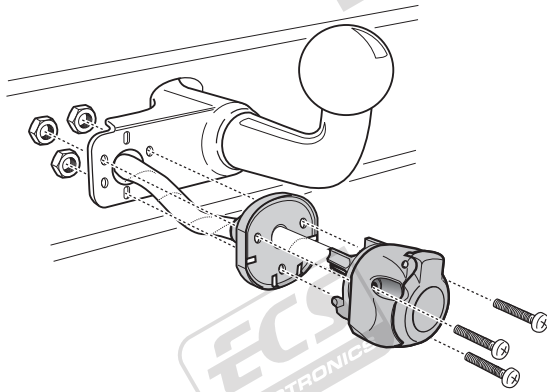
INFO

SOCKET CONNECTION



B

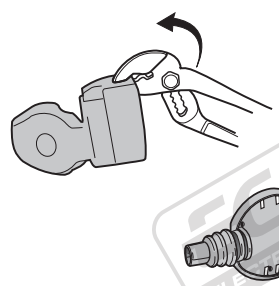
Option 1



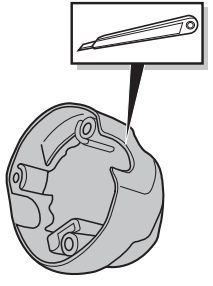
C

Option 2

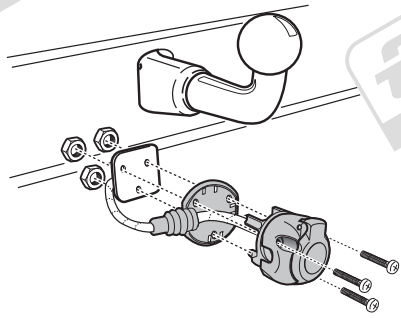
1



2



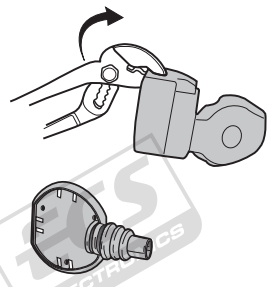
3



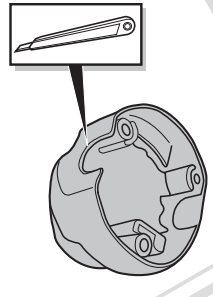
D

Option 3

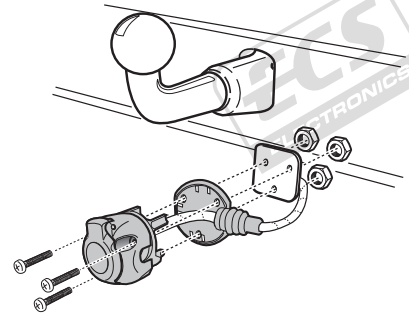
1



2

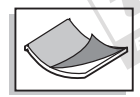
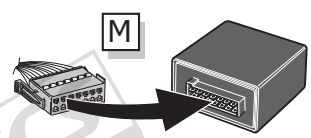


3

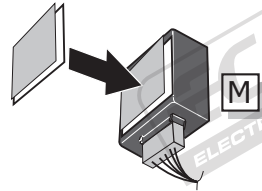


7

1



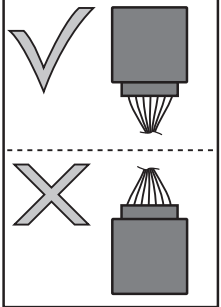
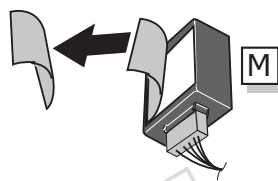
2



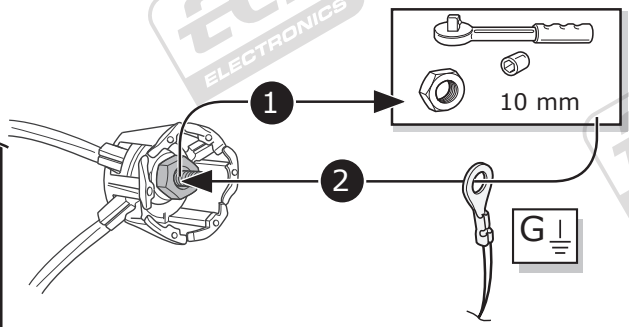
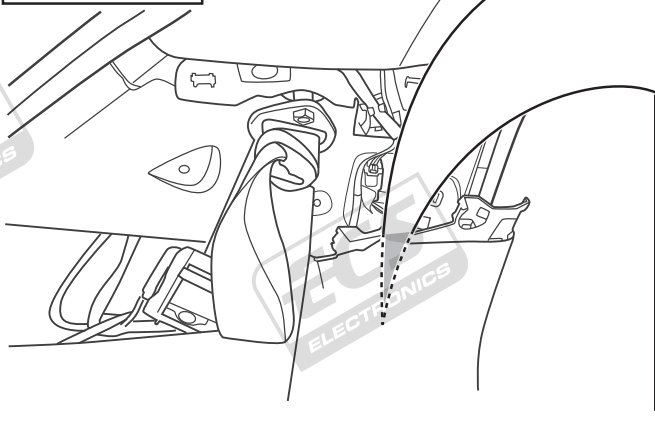
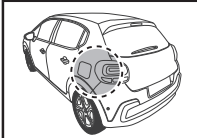
3



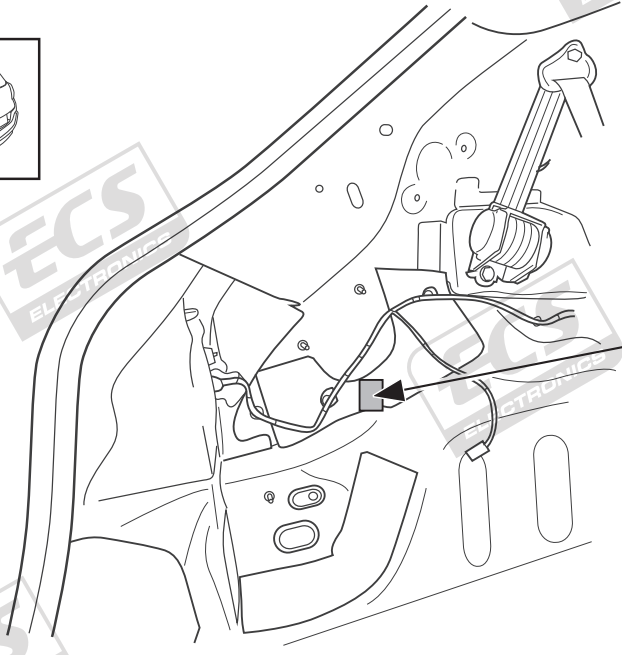
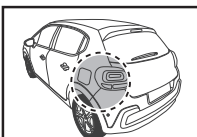
4



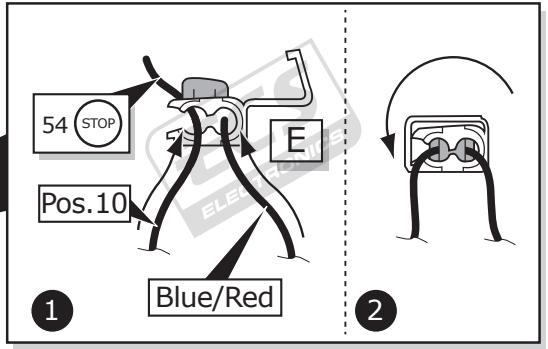
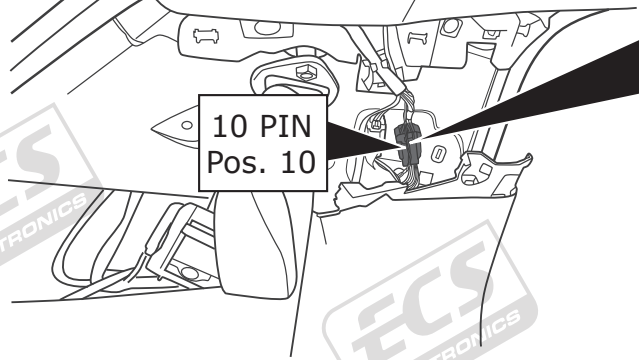
7



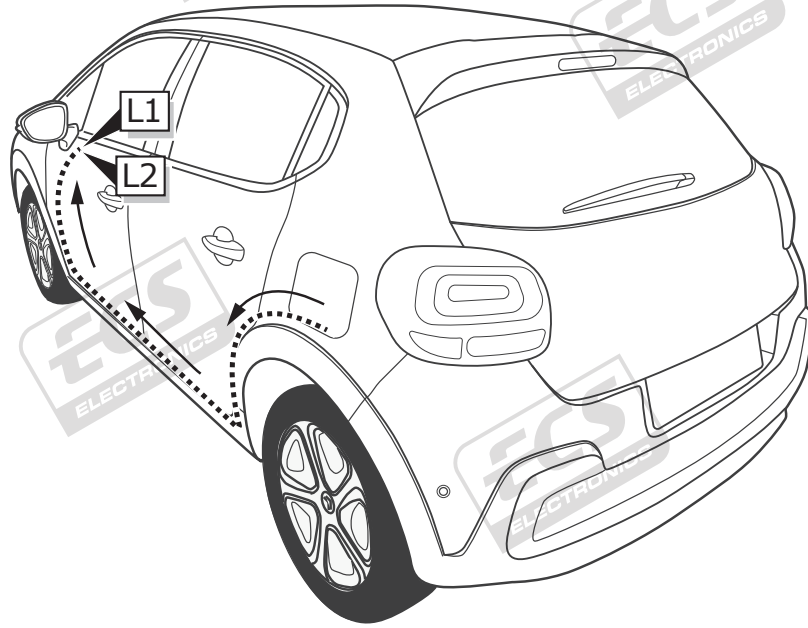
8



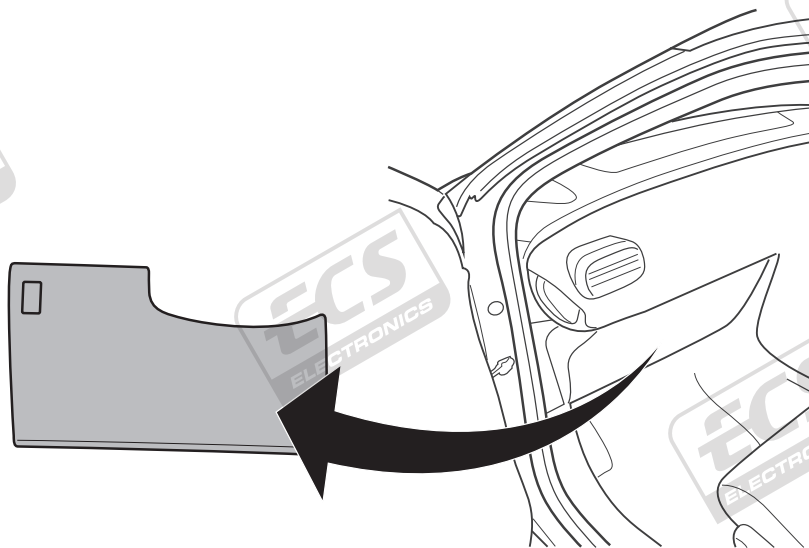
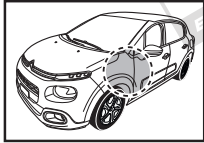
9



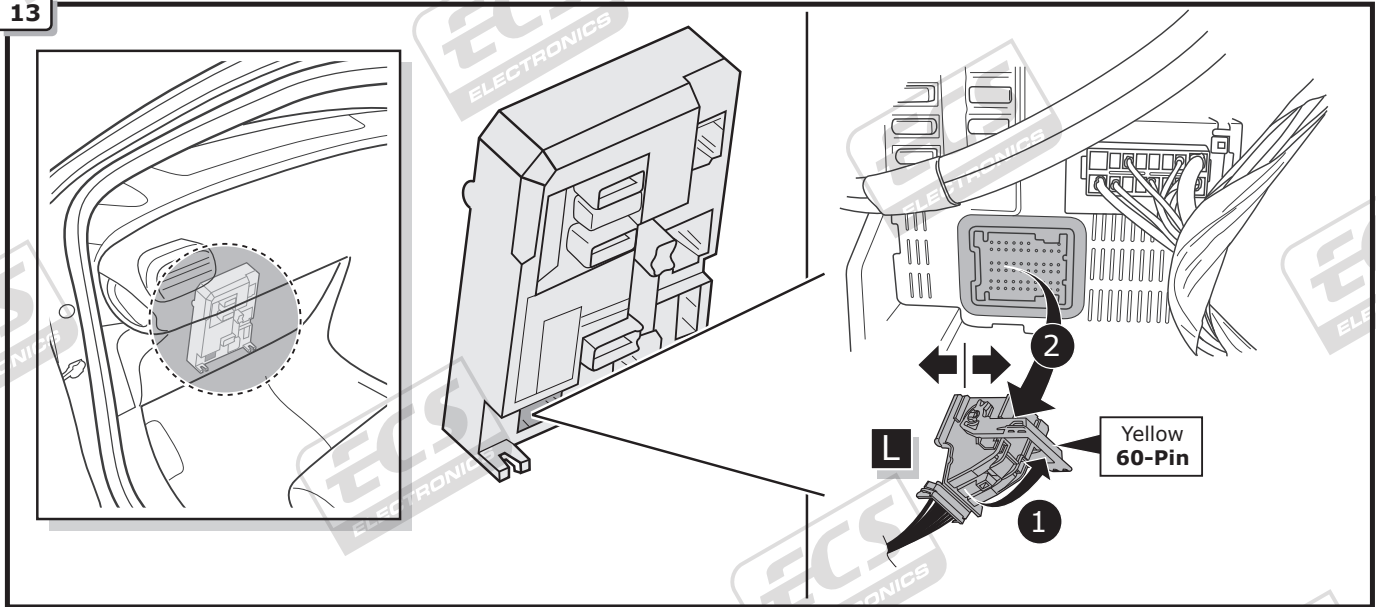
11



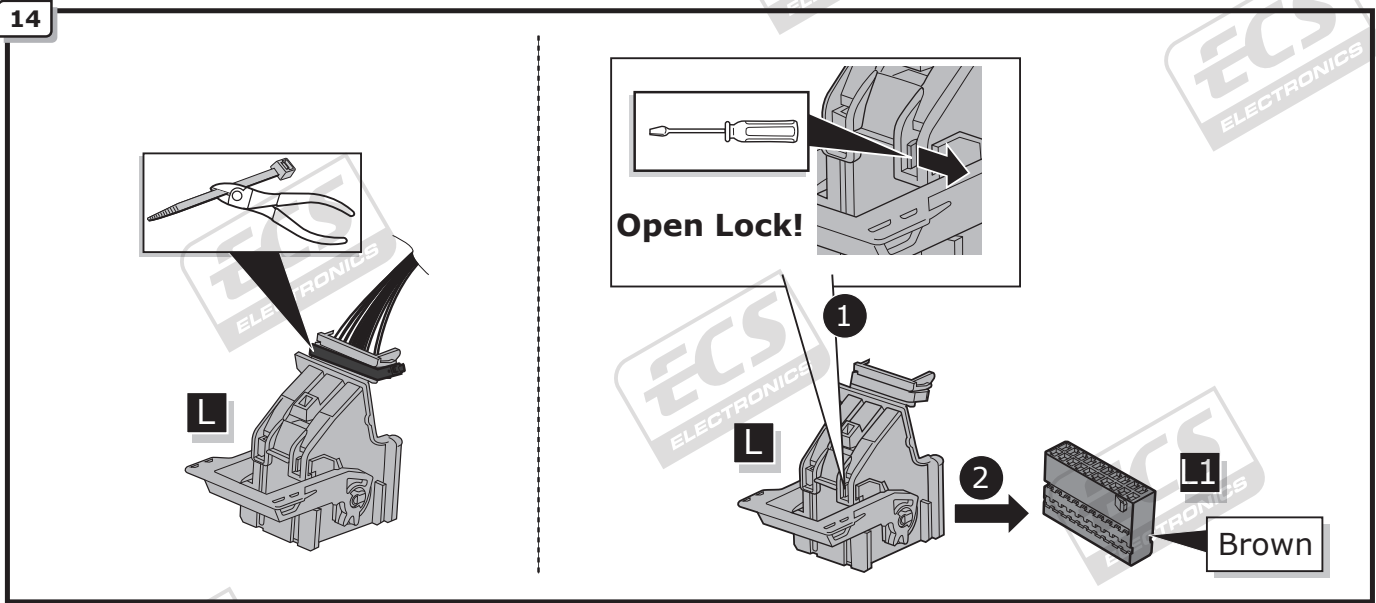
12



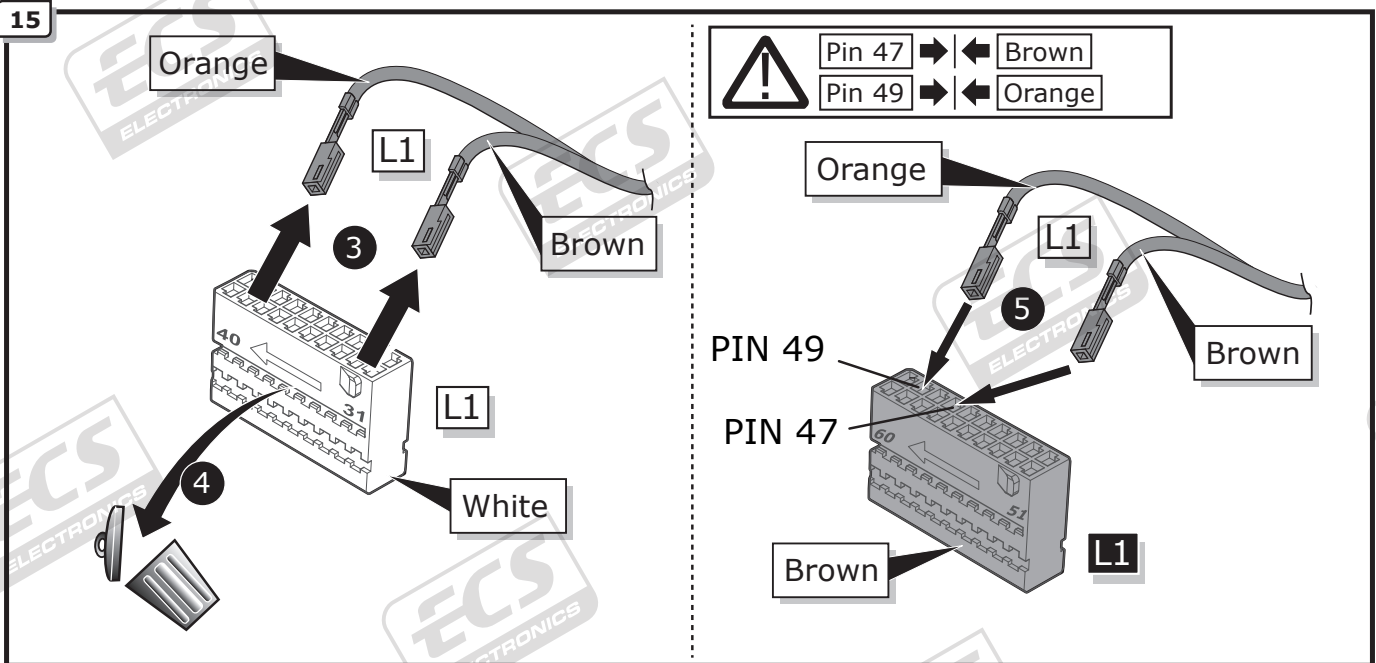
13



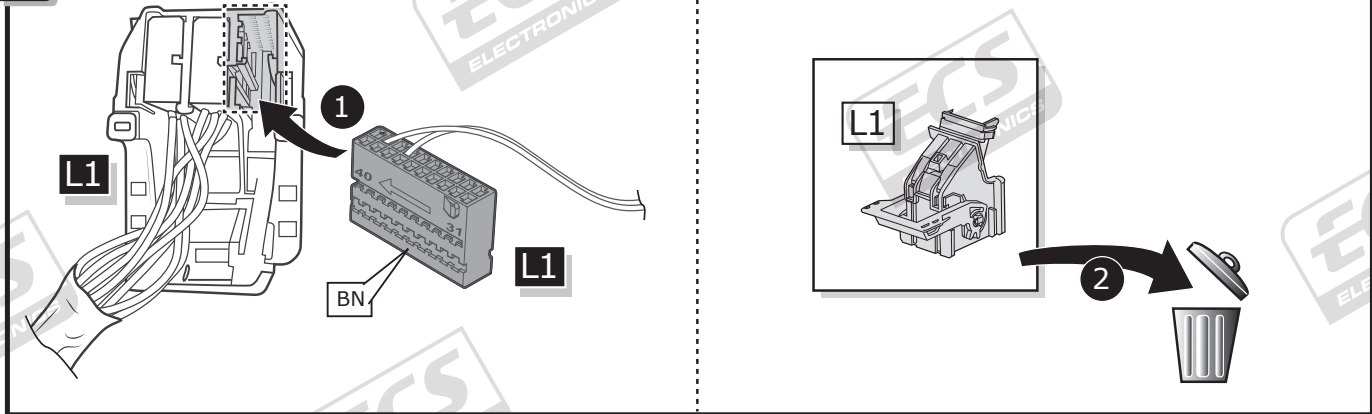
14



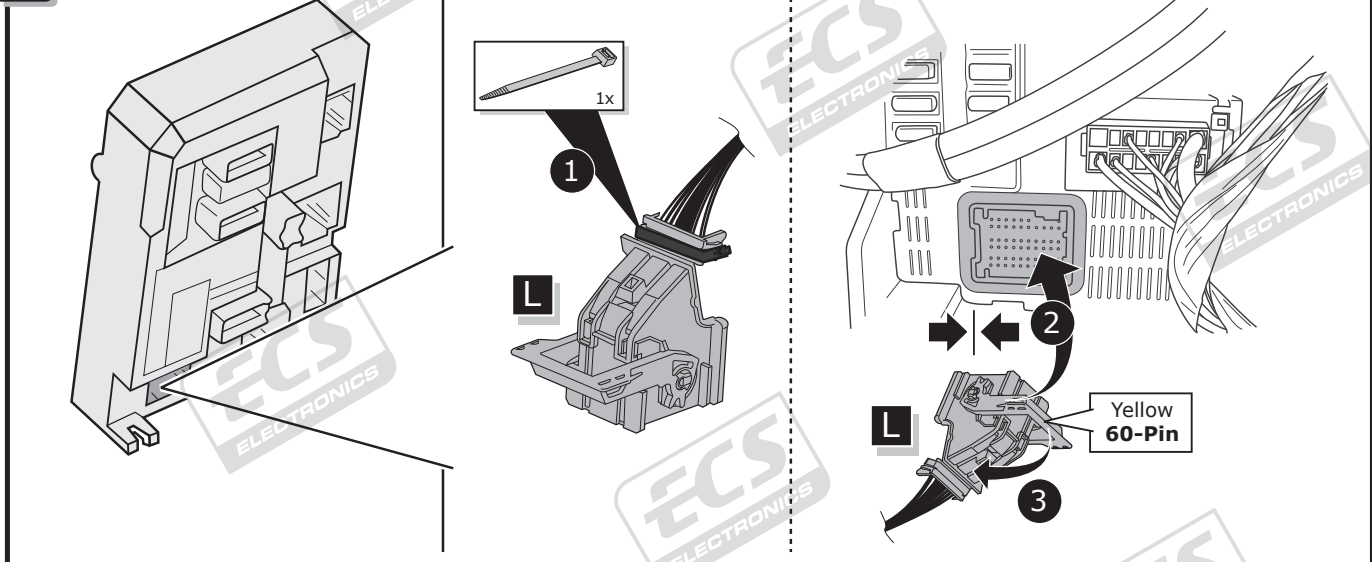
15



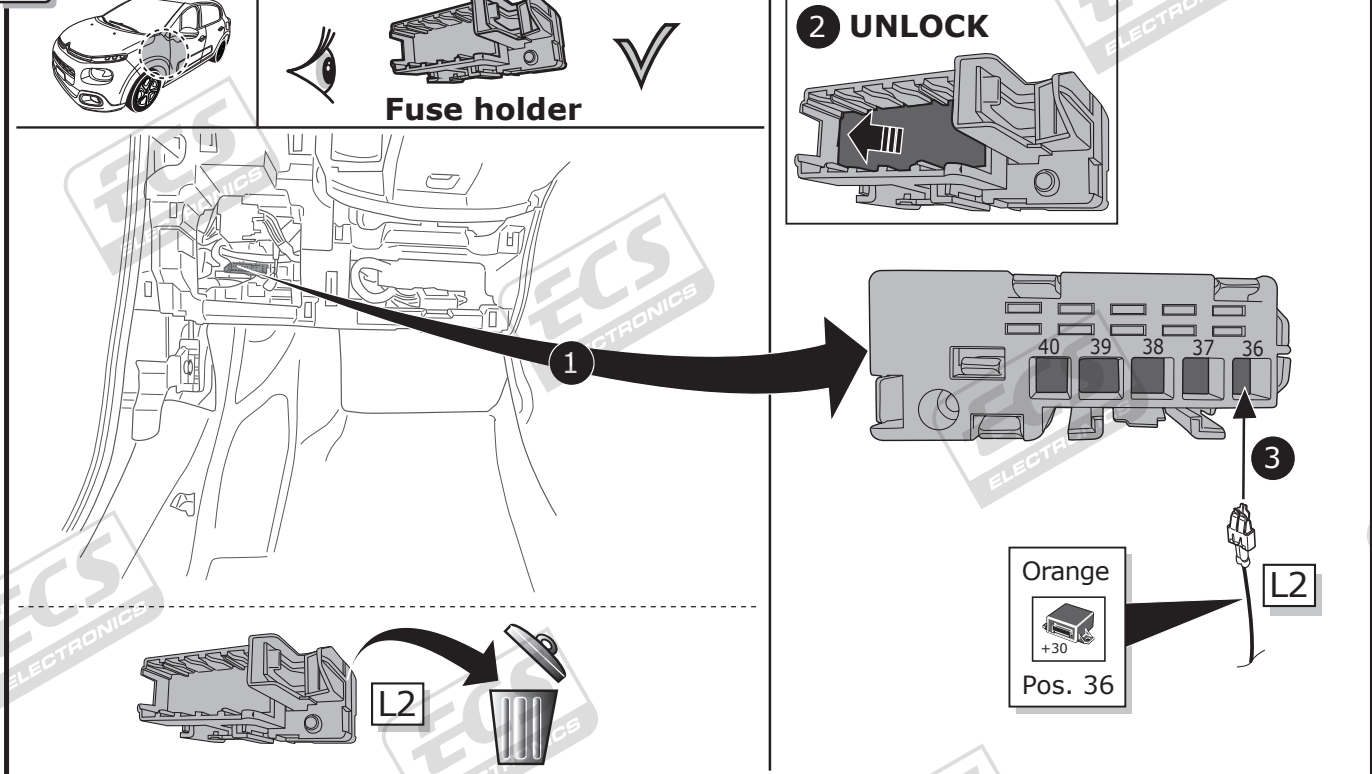
16



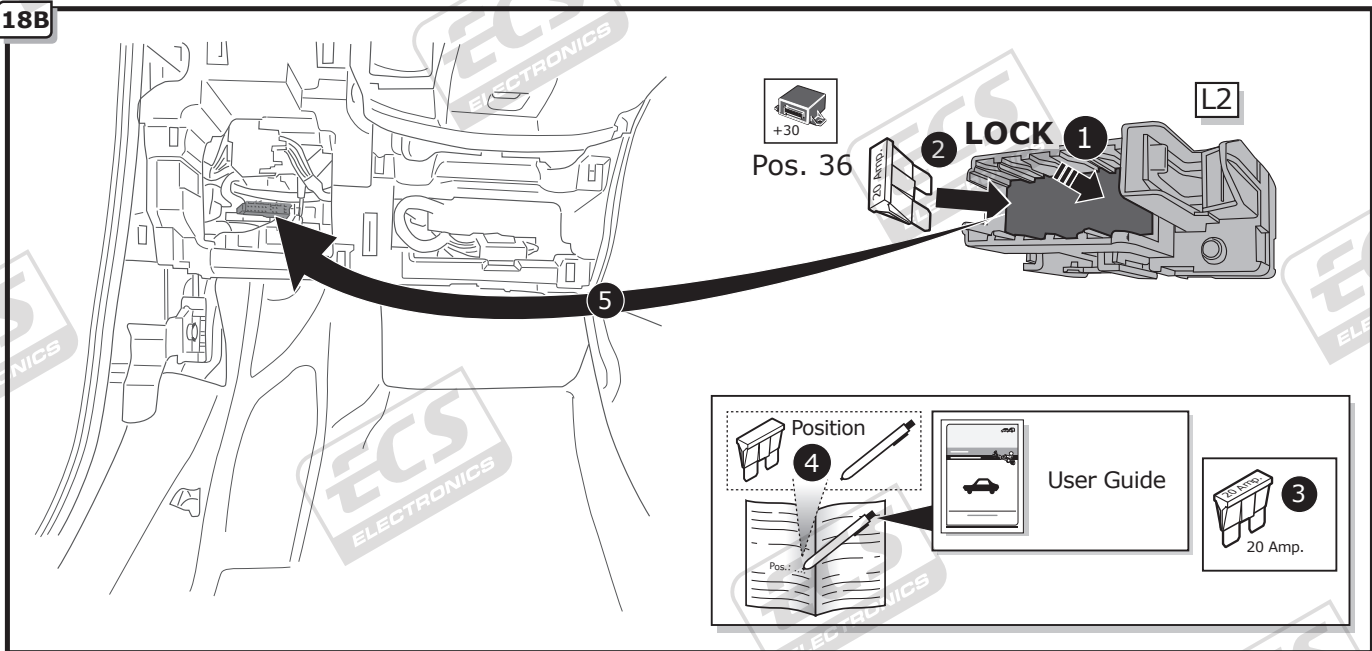
17



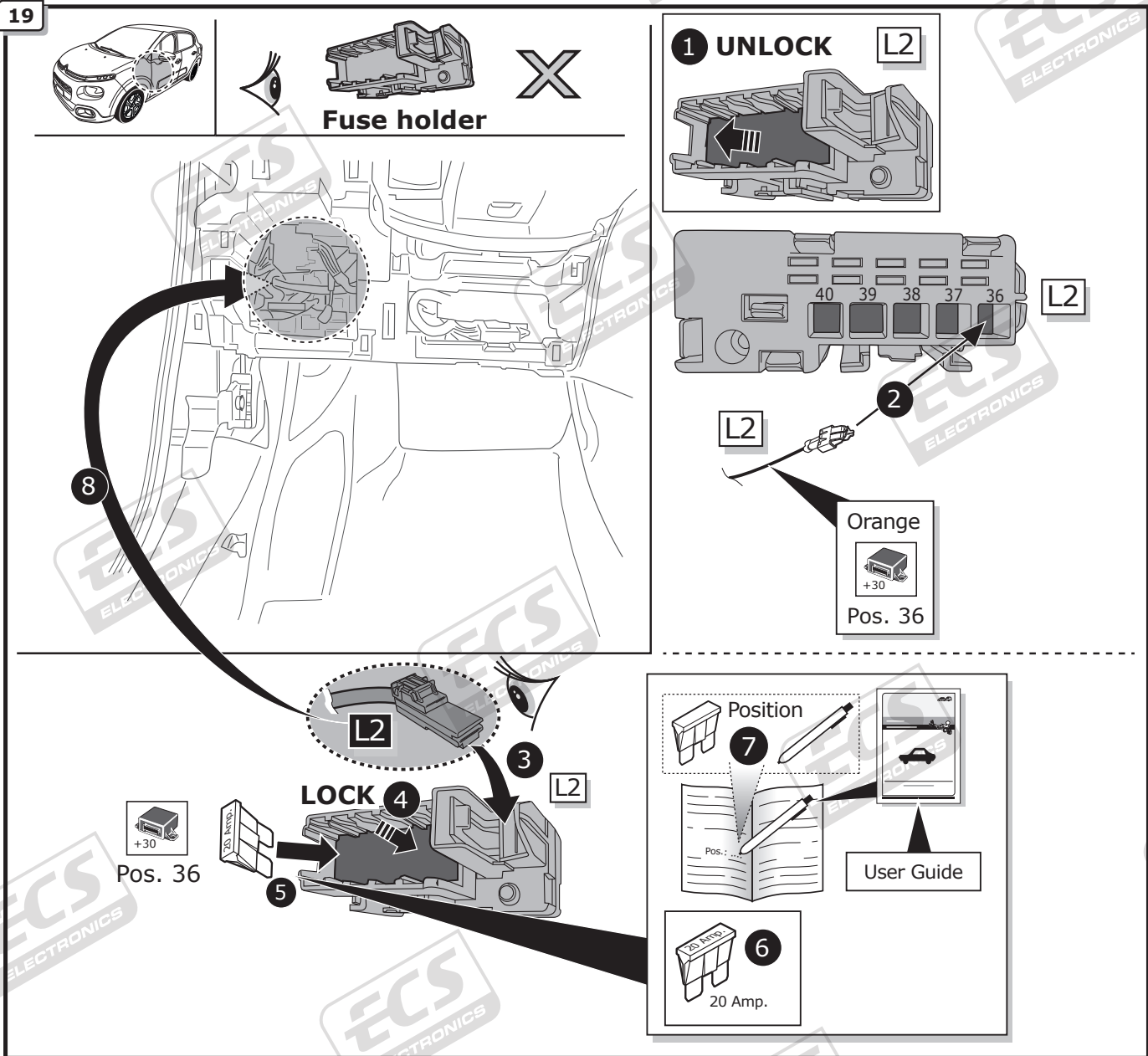
18A



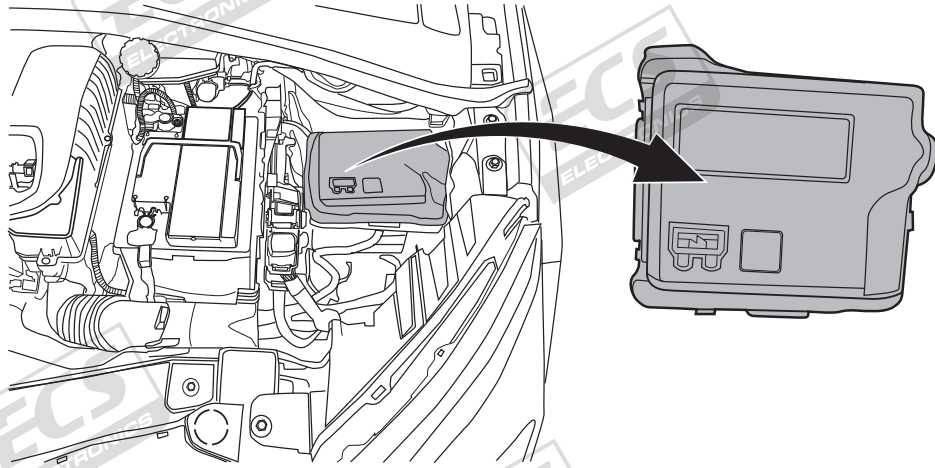
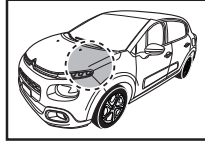
18B



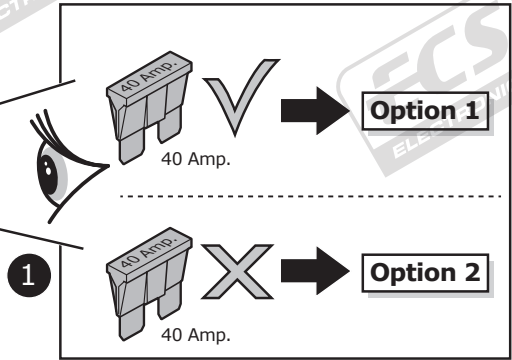
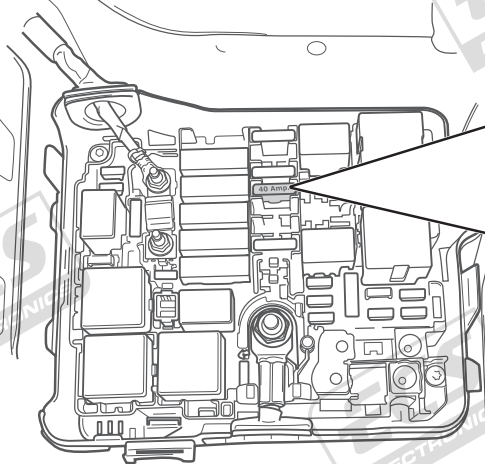
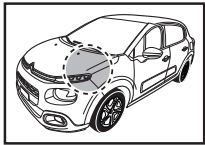
19



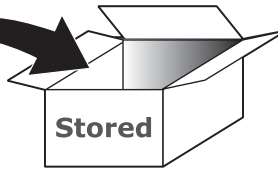
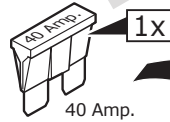
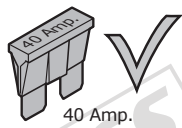
20



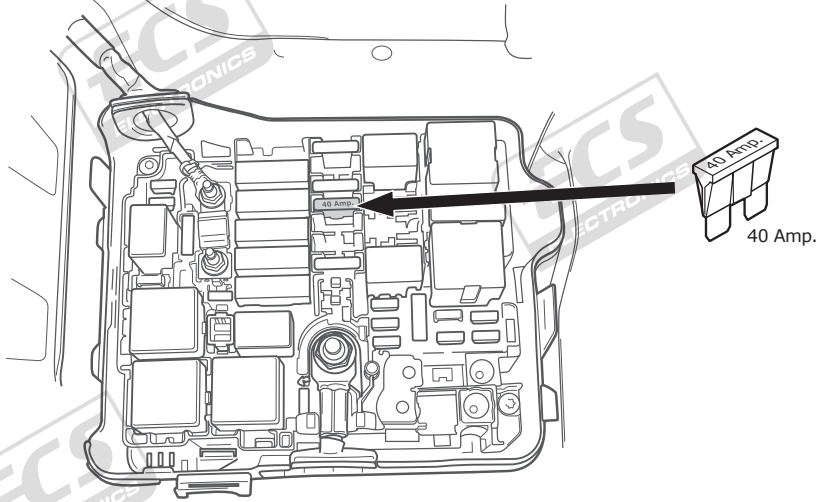
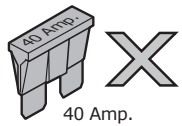
21



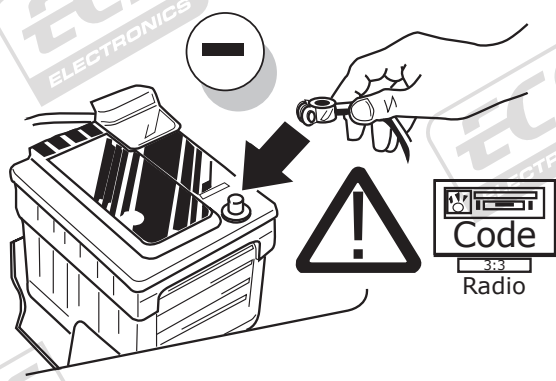
Option 1



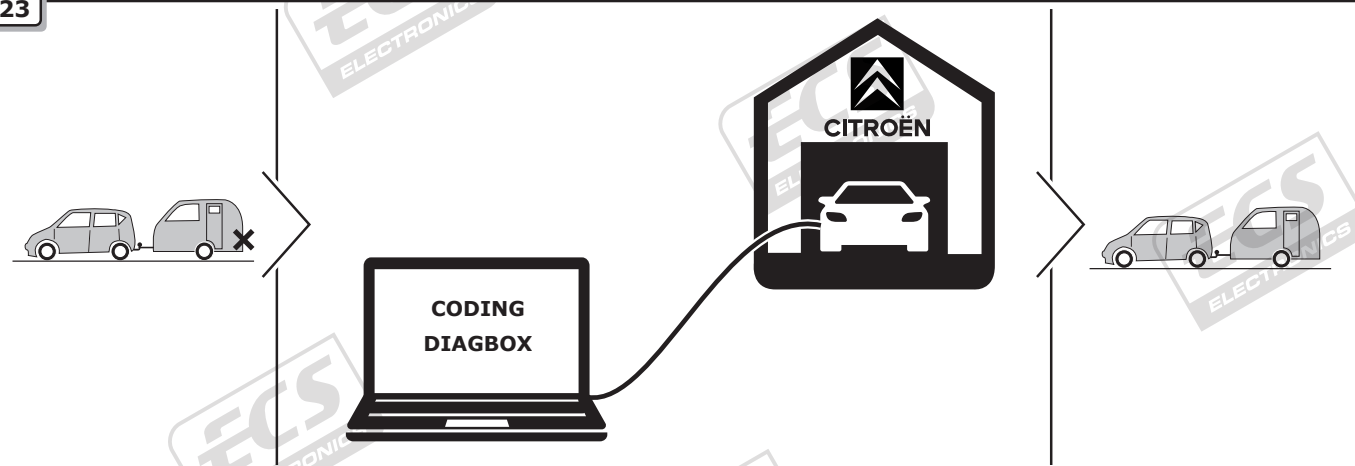
Option 2



22



23

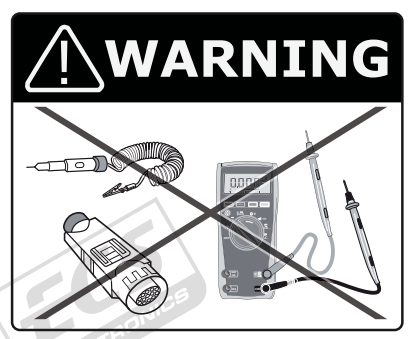
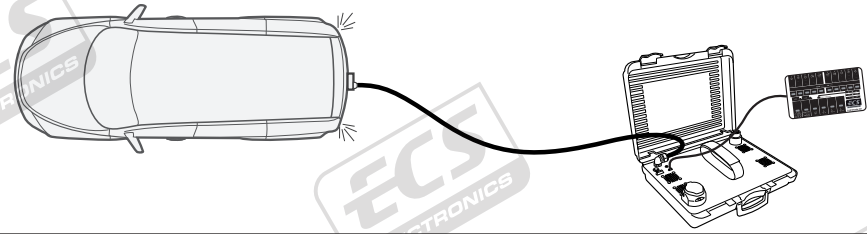
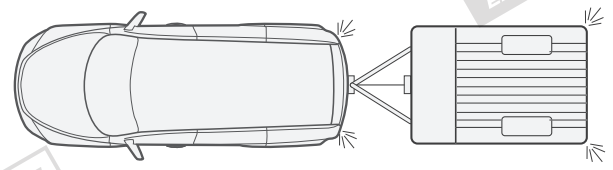
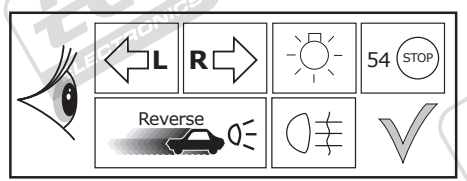


The activation of the trailer functions has to be carried out using the CITROËN DIAGBOX as follows:

- choose vehicle
- delivery
- equipment
- trailer control unit (BSR)
- installation of equipment

24

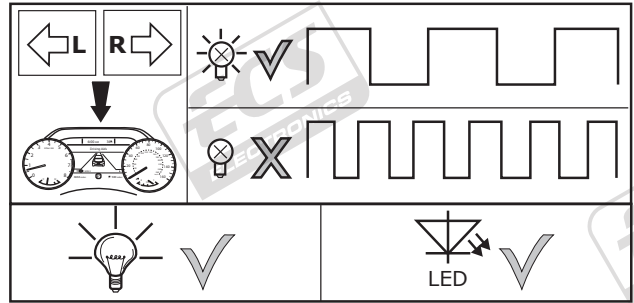
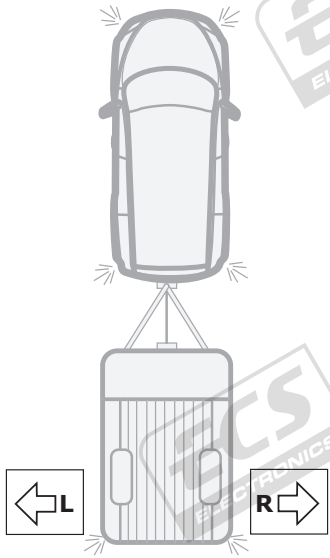
Functional test



LIGHTMATE

ECS part no.
LIGHTMATE II
LIGHTMATE III

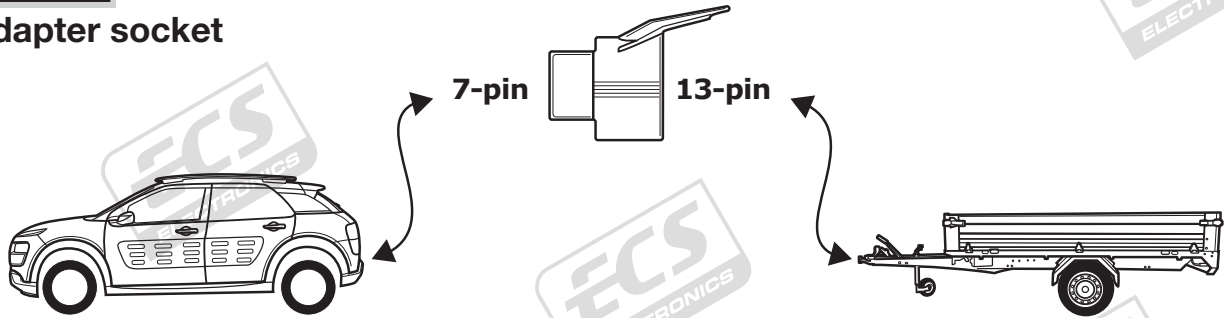
25



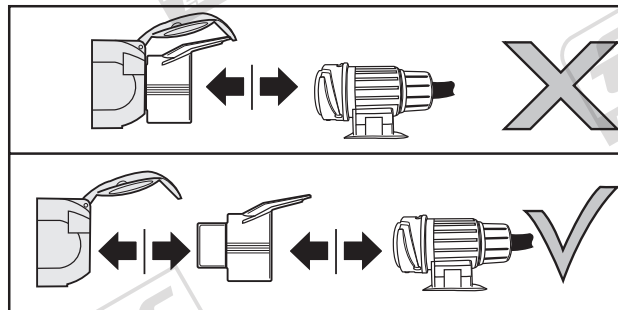
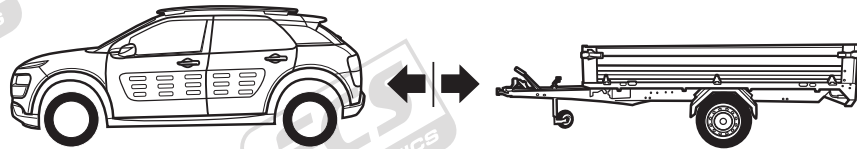
26

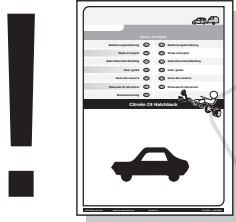
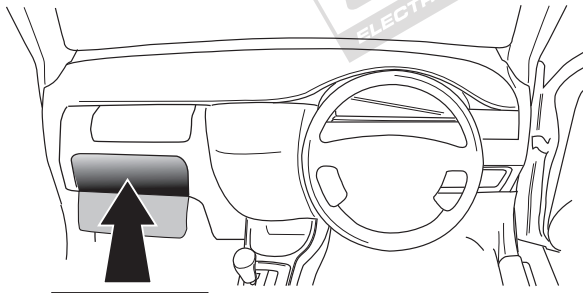
Optional

Adapter socket



27





User guide



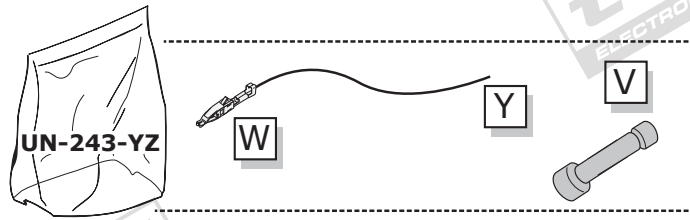
INFO

SOCKET CONNECTION

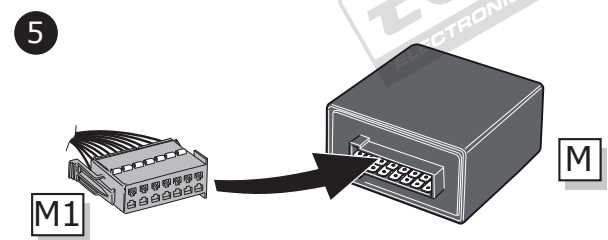
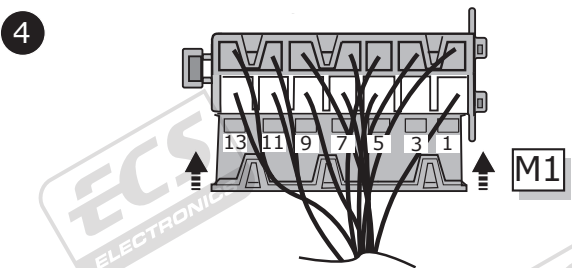
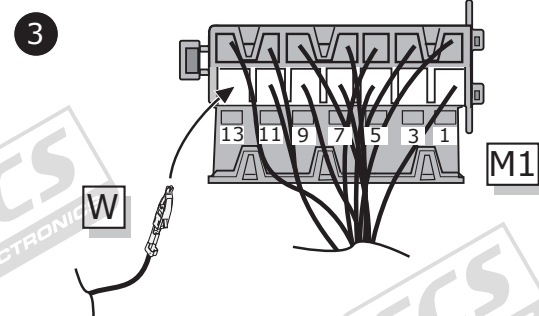
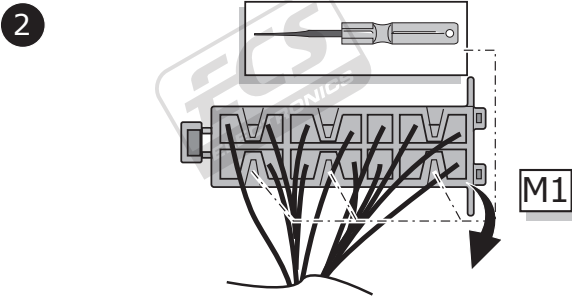
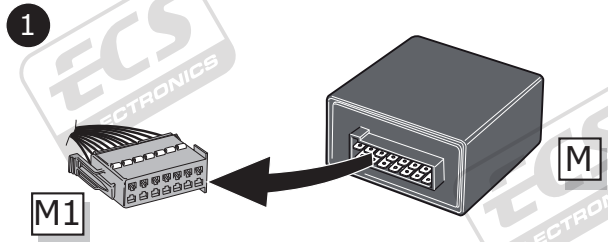
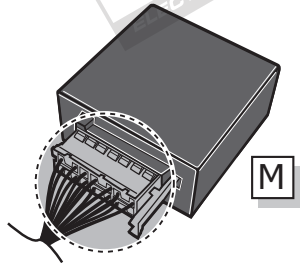
DIN/ISO 1724							
	1/L	2	3/31	4/R	5/58-R	6/54	7/58-L
Pmax	21W	21W		21W	52W	3x21W	52W
Colour	Yellow	Blue	White	Green	Brown	Red	Black

UN-243-YZ Reverse lamp pre-wire extension

⚠ MAX = 21W



A



B

⚠ MAX = 21W

