

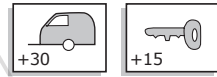
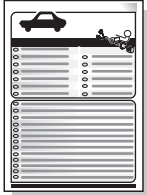
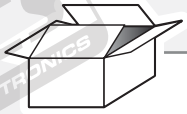
Peugeot 208 04/2012 >> 09/2019
Peugeot 2008 05/2013 >> 12/2019

Partnr.: PE-064-D1U

- Fitting instructions electric wiring kit tow bar with 13-P socket up to DIN/ISO Norm 11446.
- We would expressly point out that assembly not carried out properly by a competent installer will result in cancellation of any right to damage compensation, in particular those arising by virtue of the product liability act.
- Contents of these kits and their fitting manuals are subject to alteration without notice, please ensure that these instructions are read and fully understood before commencing installation.
- Do not overload circuits; the maximum loads per connection are detailed in this manual.
- Attention! Before Installation, please read this manual carefully and inform your customer to consult the vehicle owners manual to check for any vehicle modifications required before towing.
- In the event of functional problems, troubleshooting must be limited to about 0.5 hours, contact the technical support:
t.skinner@ecs-electronics.com / 07440 202 052.



Part list



Additional Power Supply PE-064-ZZ

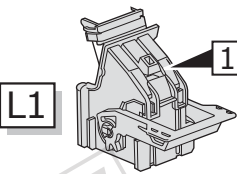


M

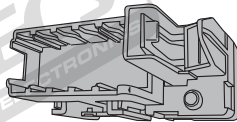
X

L1

1x



L4

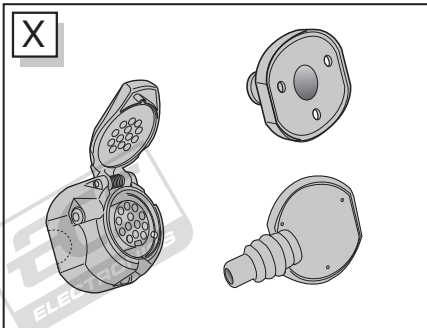


L3

L2

E

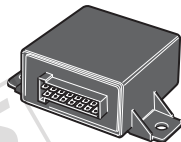
X



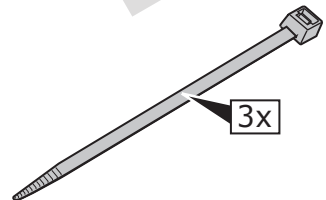
1x



M



3x



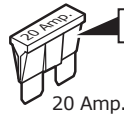
3x



1x



1x



20 Amp.

1x



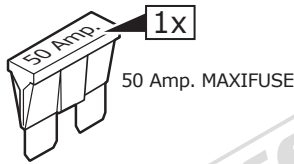
3x



1x

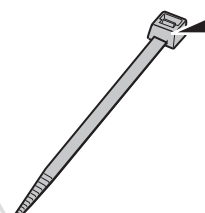


1x

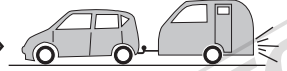
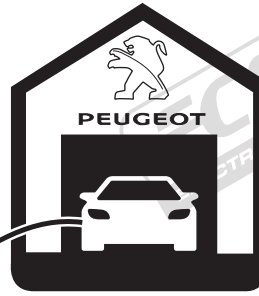
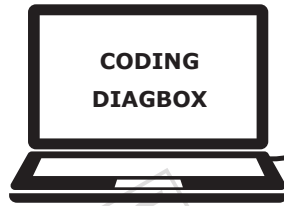
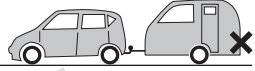


50 Amp. MAXIFUSE

15x



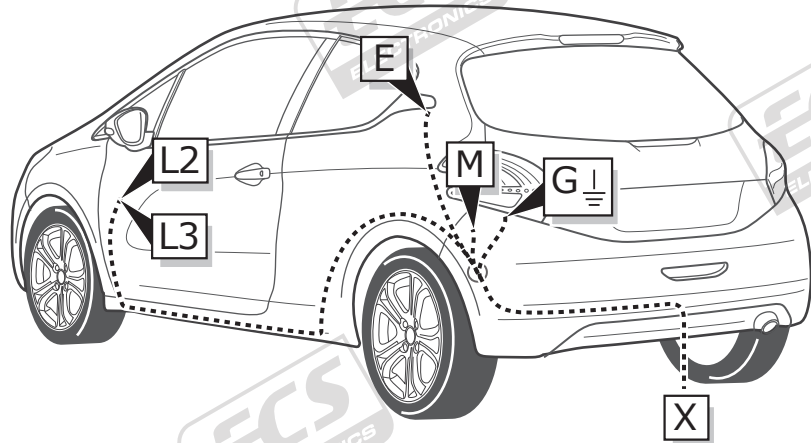
INFO



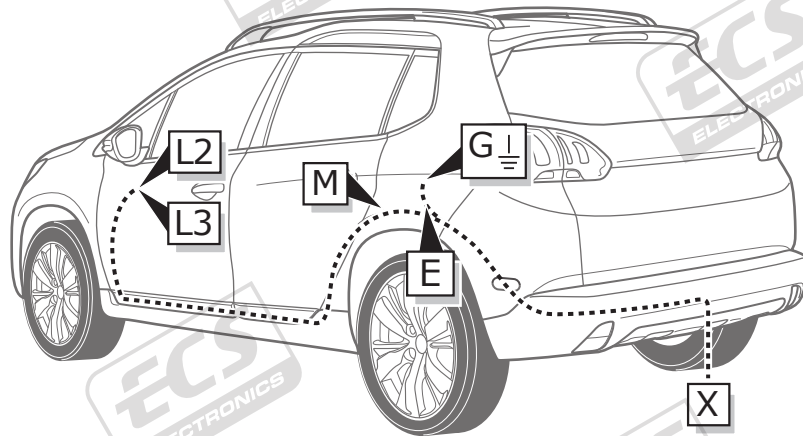
Code vehicle for lighting functions

ROUTING

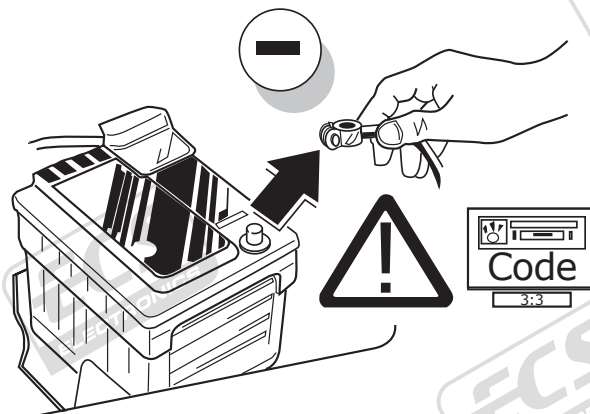
Peugeot 208



Peugeot 2008

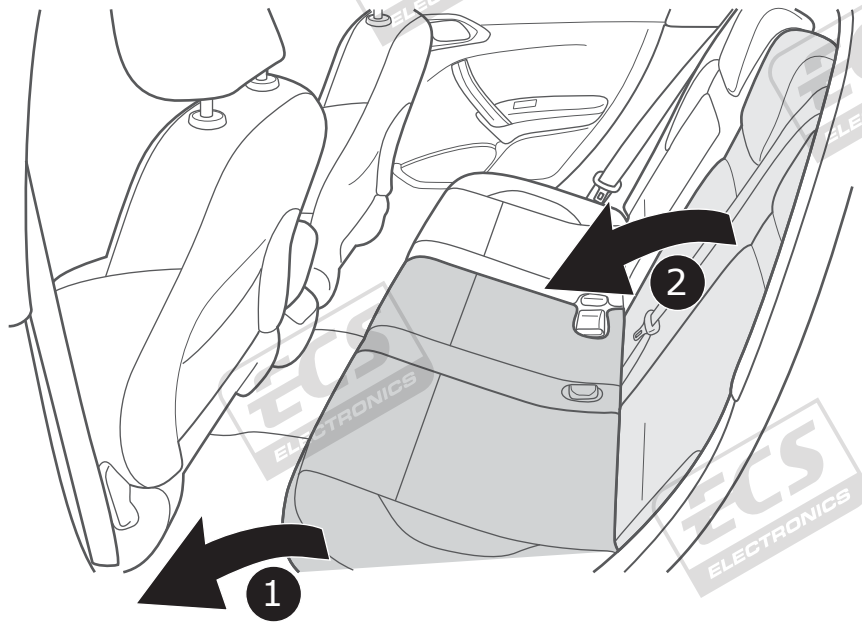
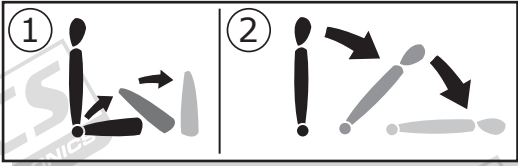


1



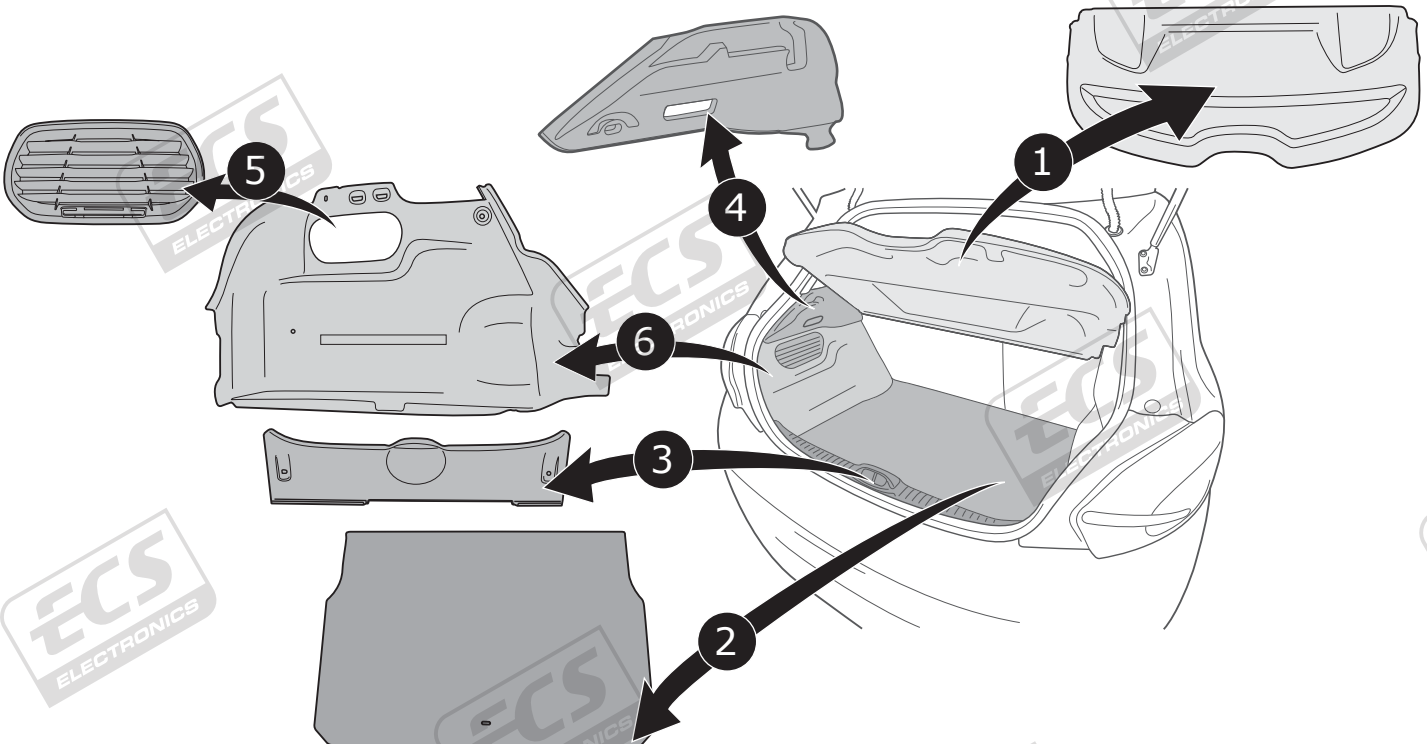
Peugeot 208 & Peugeot 2008

2



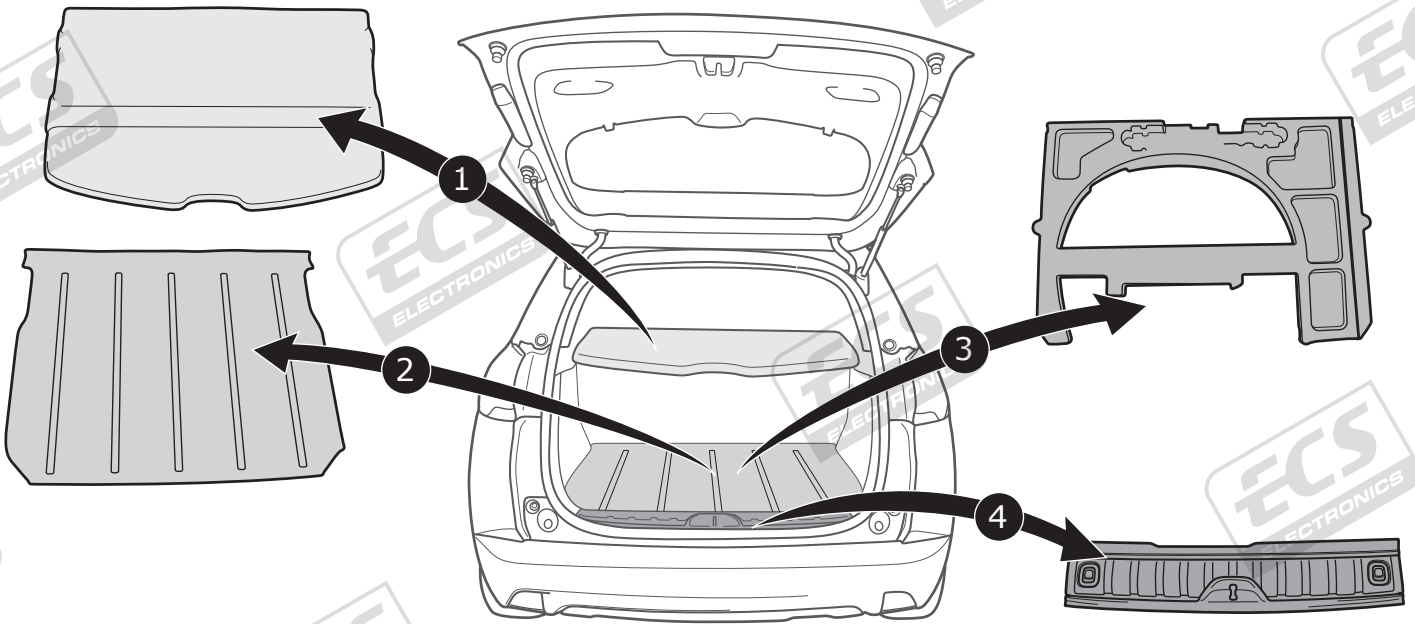
Peugeot 208

3

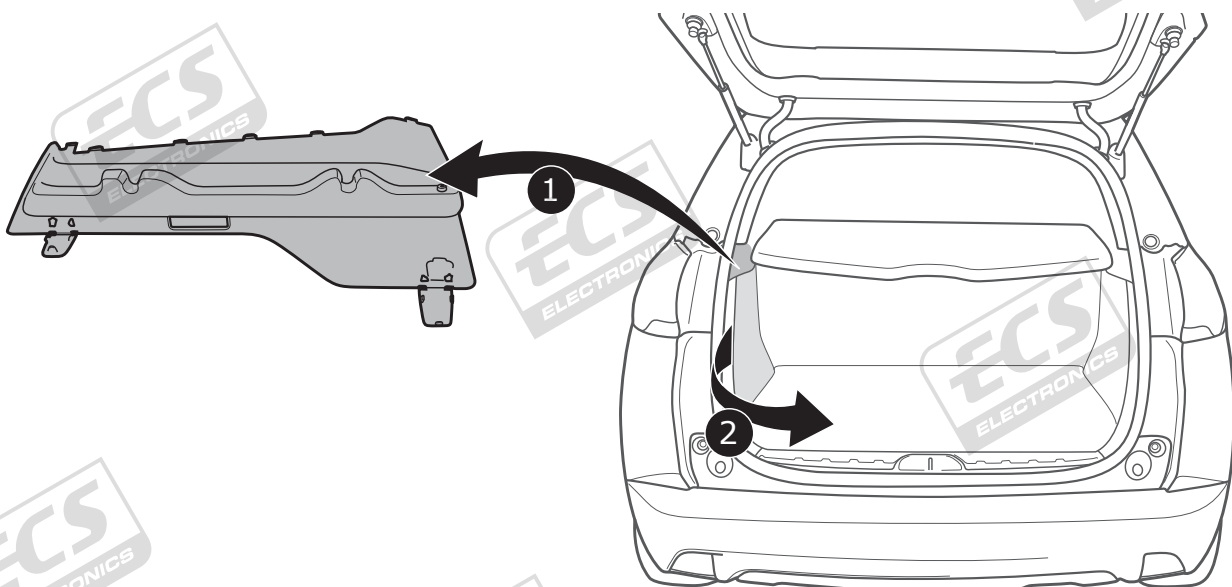


Peugeot 2008

4

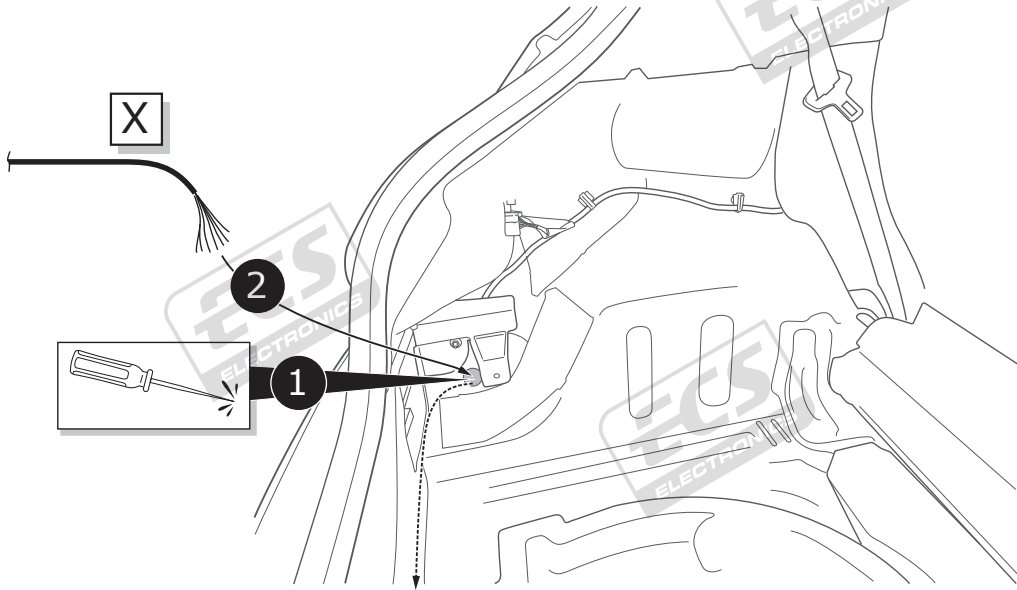


5



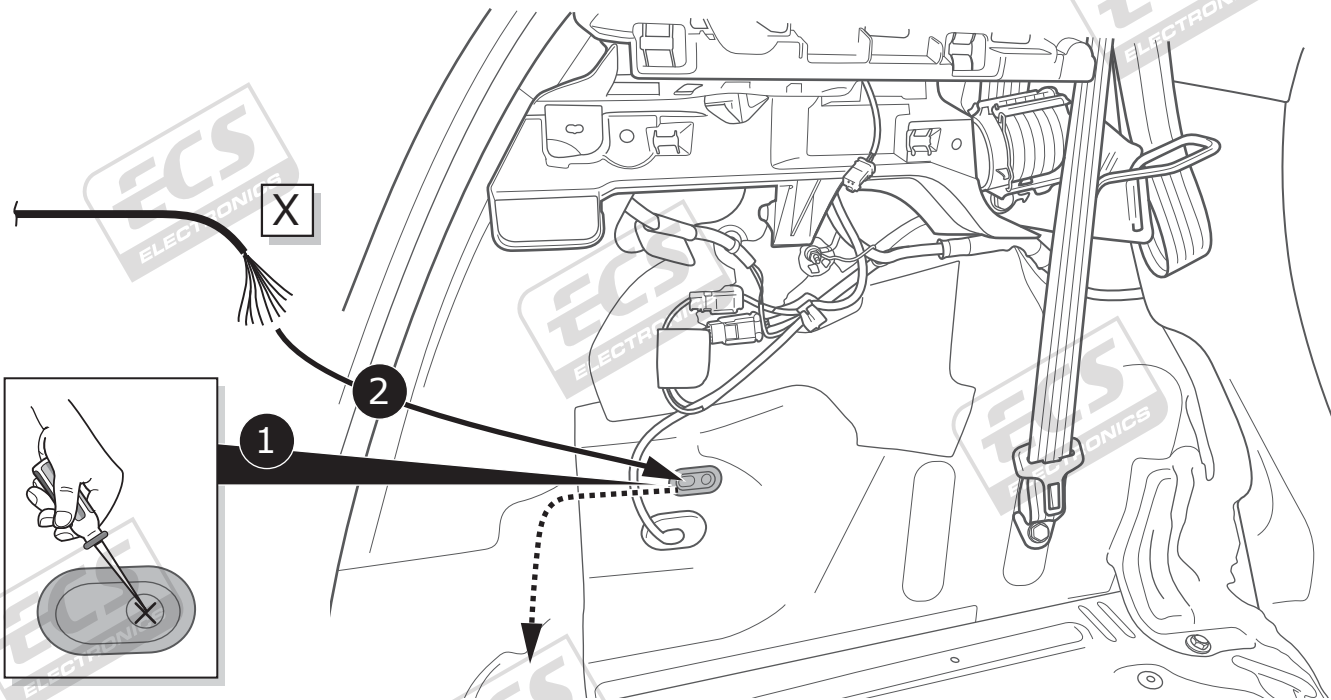
Peugeot 208

6



Peugeot 208

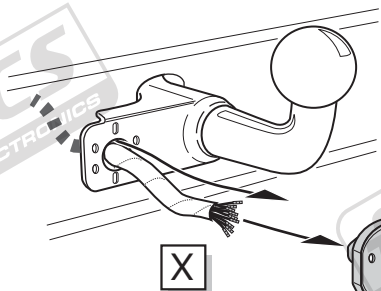
7



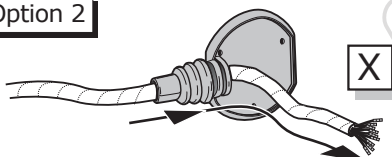
All models

A

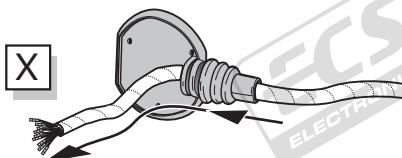
Option 1



Option 2



Option 3



INFO

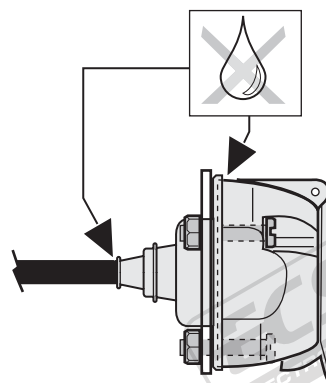
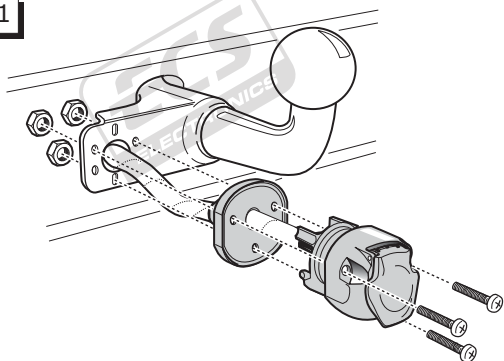
SOCKET CONNECTION



Pag. 17

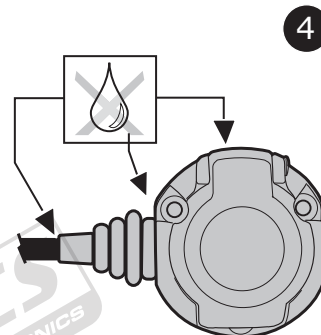
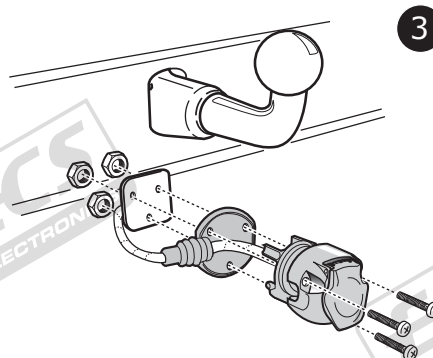
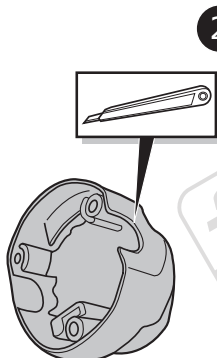
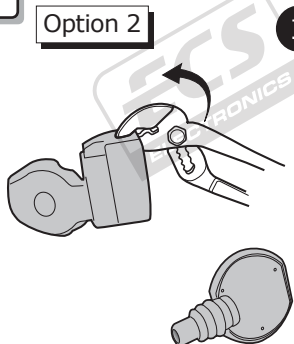
B

Option 1



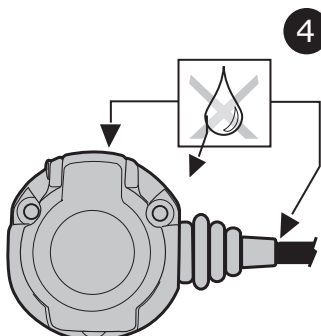
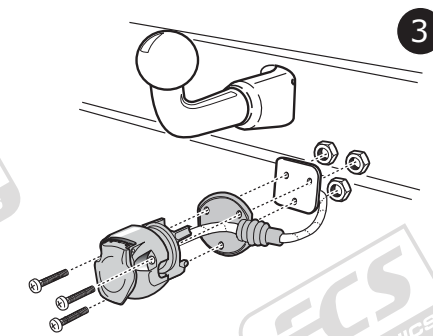
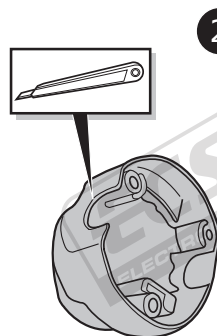
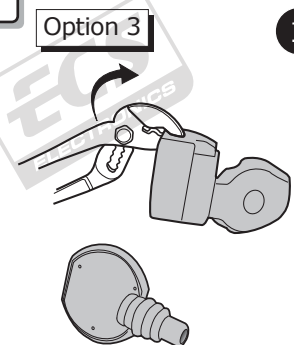
C

Option 2



D

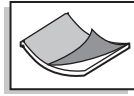
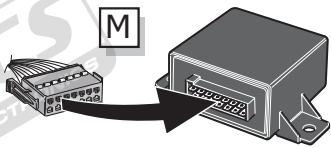
Option 3



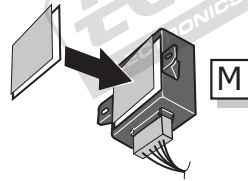
All models

8

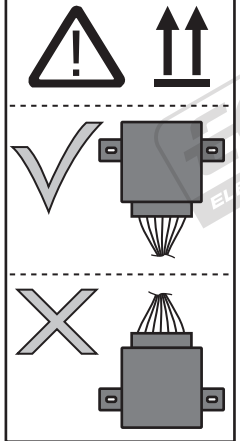
1



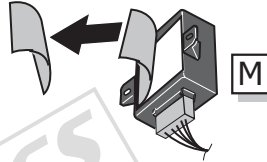
2



3

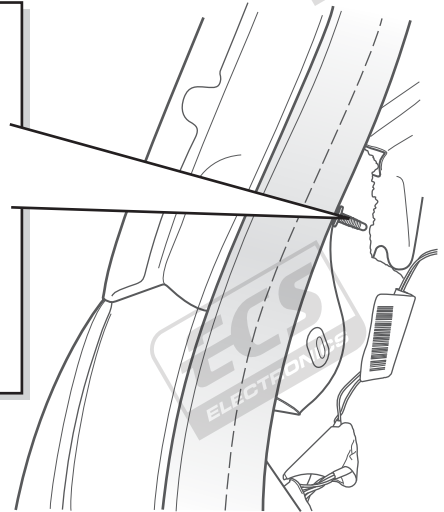
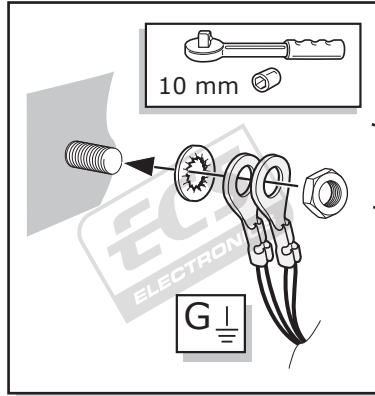
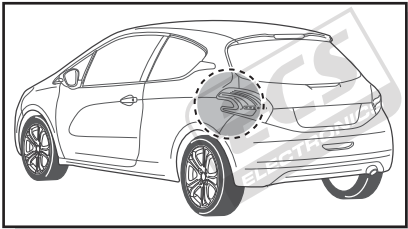


4

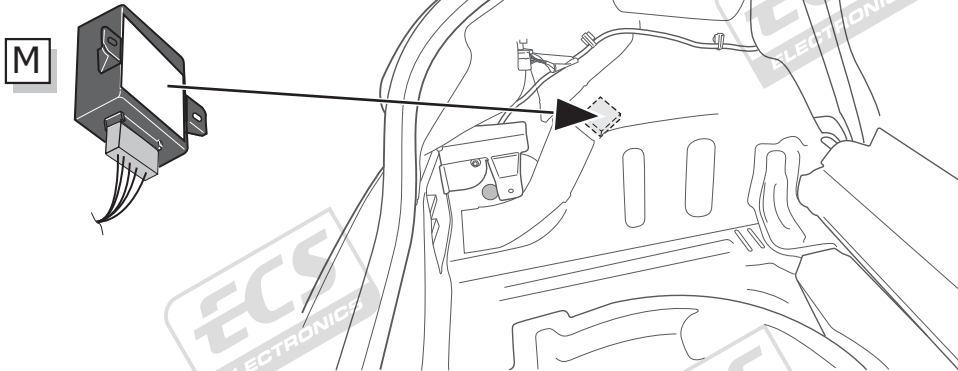


Peugeot 208

9

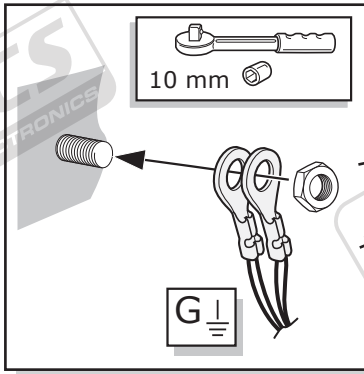


10



Peugeot 2008

11



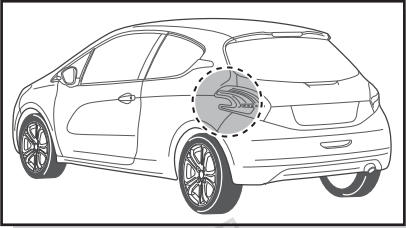
2

1

M

Peugeot 208

12



16 PIN
Pos.14

1

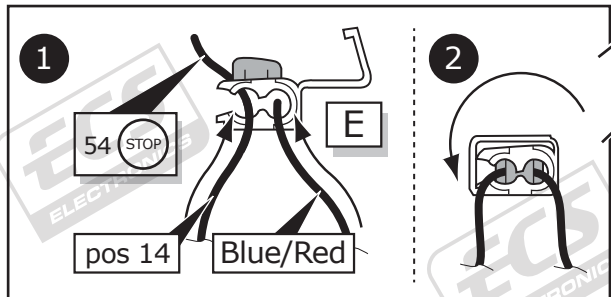
54 STOP

pos 14

Blue/Red

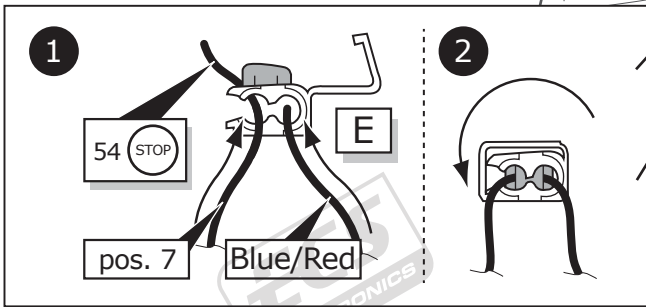
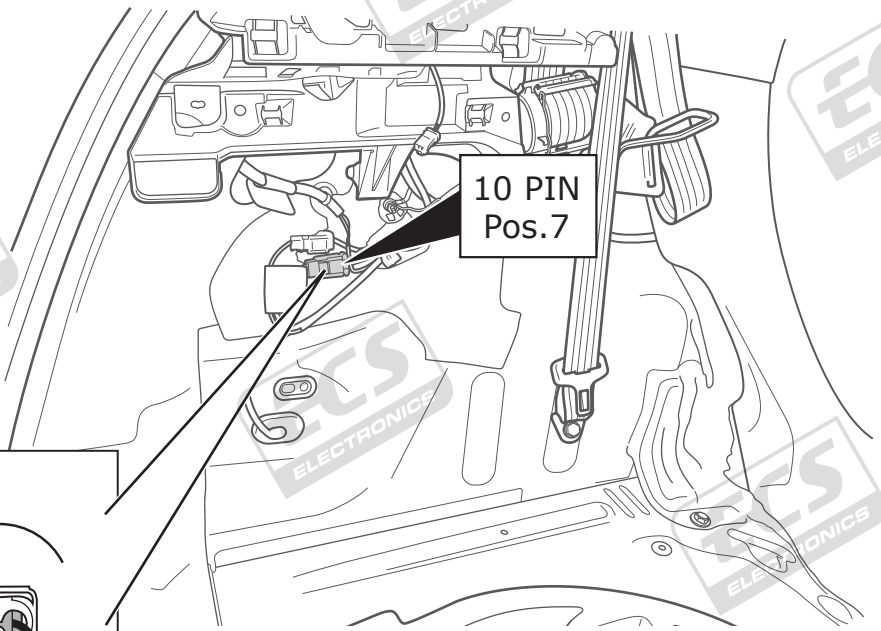
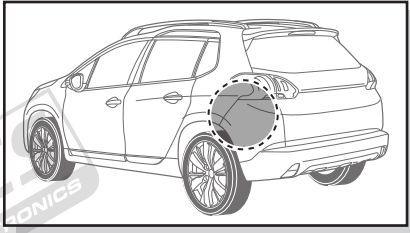
E

2



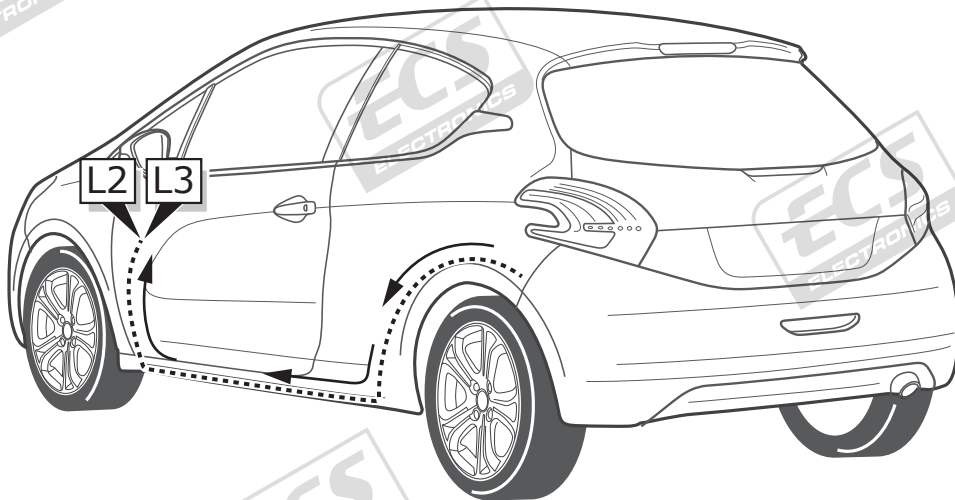
Peugeot 2008

13



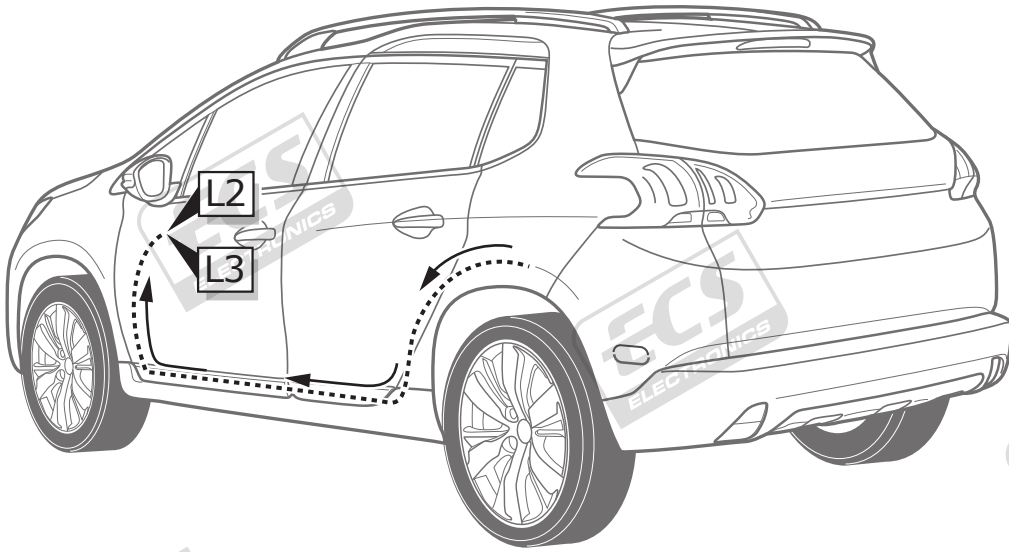
Peugeot 208

ROUTING



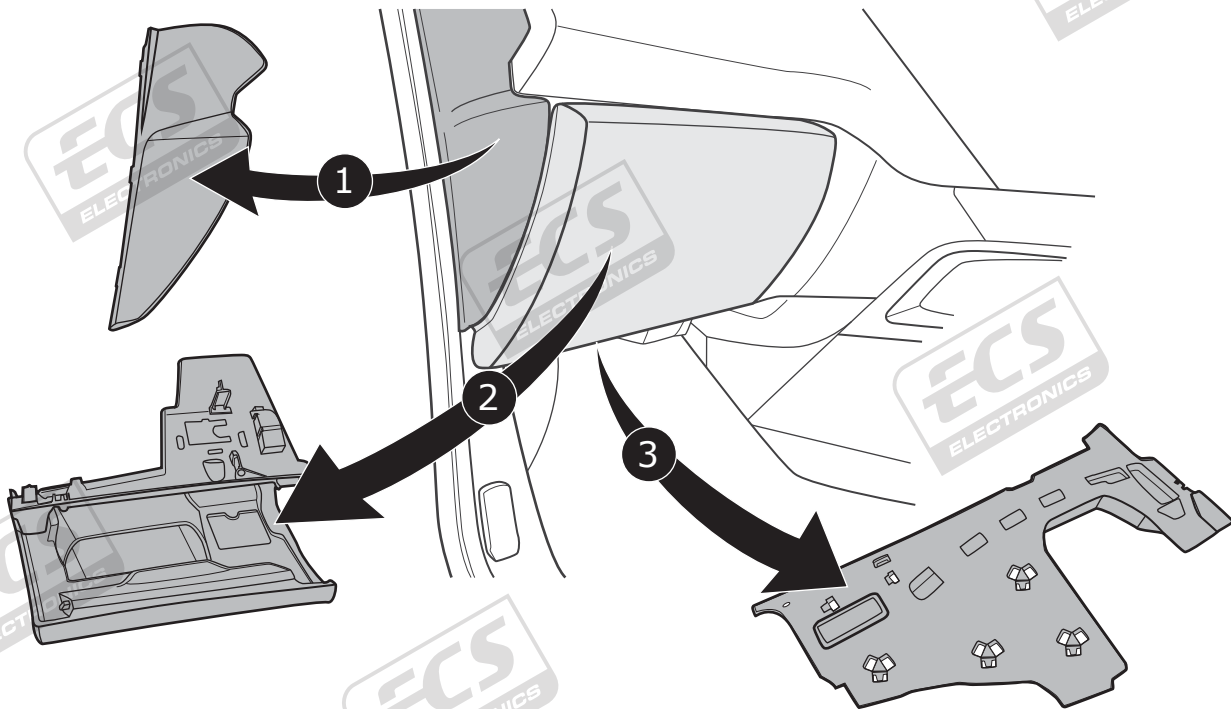
Peugeot 2008

ROUTING



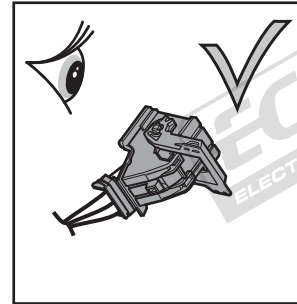
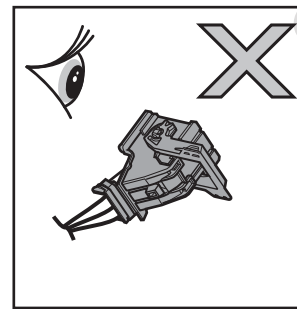
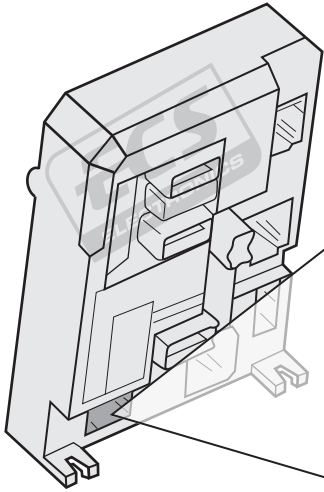
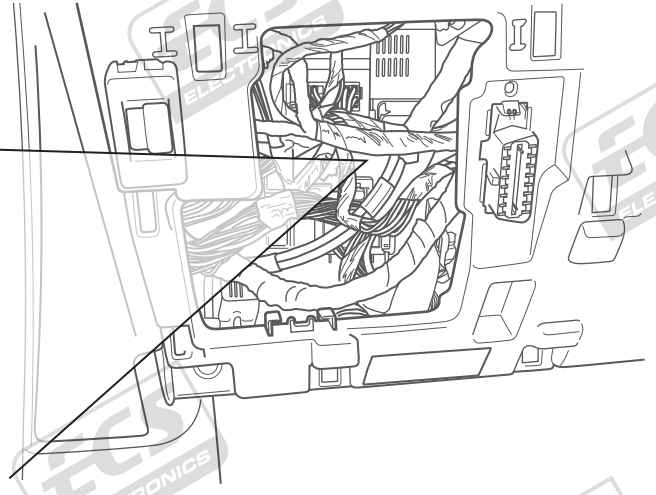
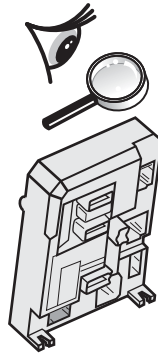
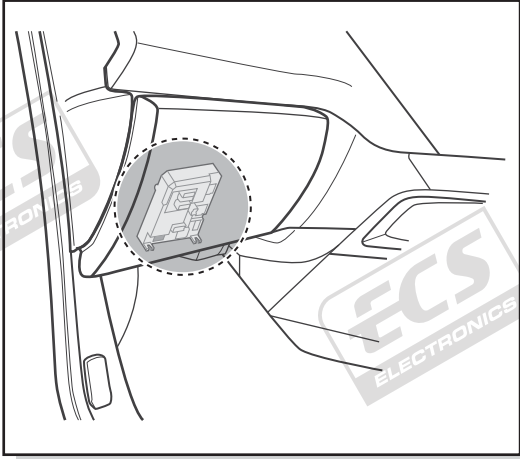
All models

14

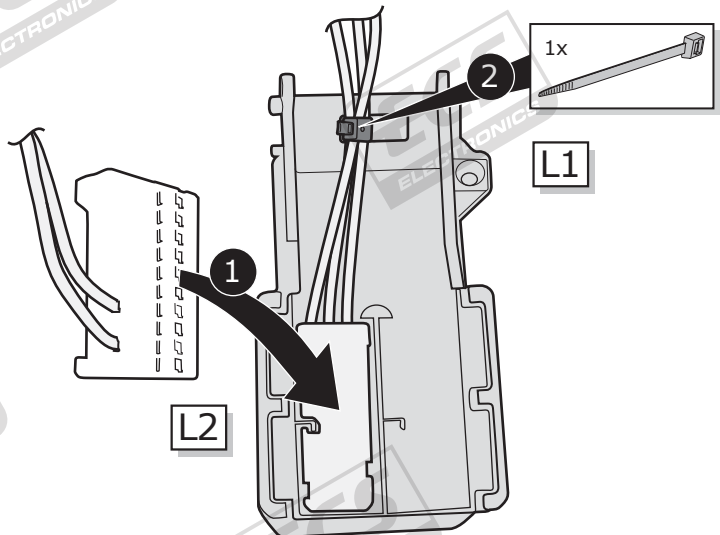
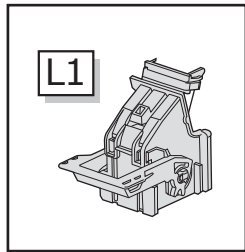
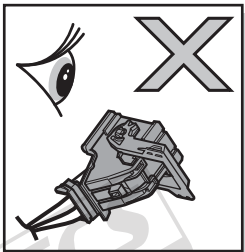


All models

15

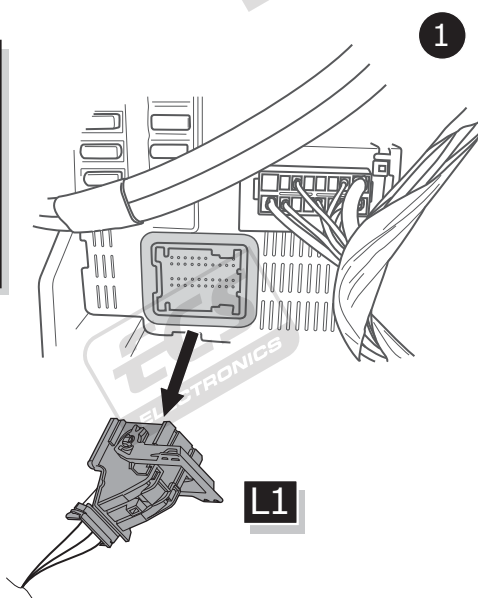
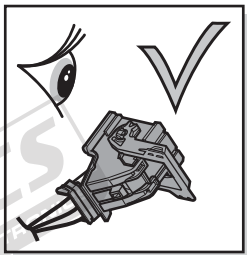


16



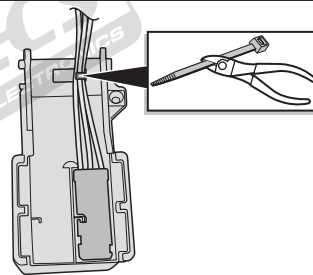
All models

17

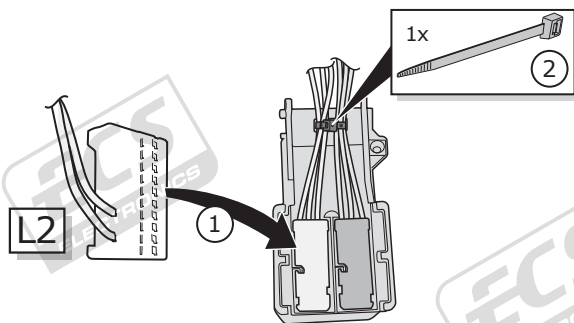


1

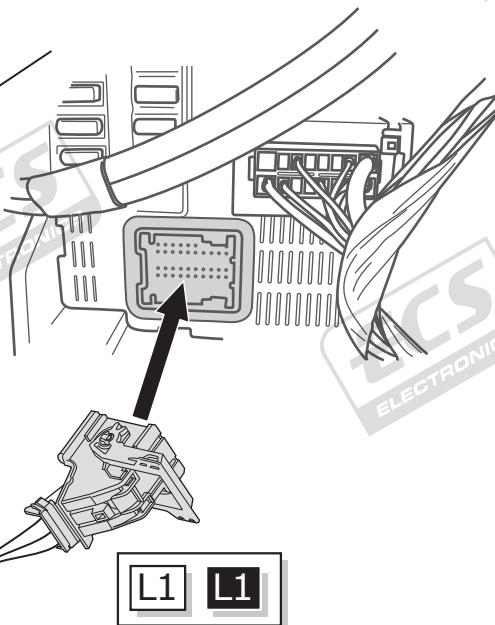
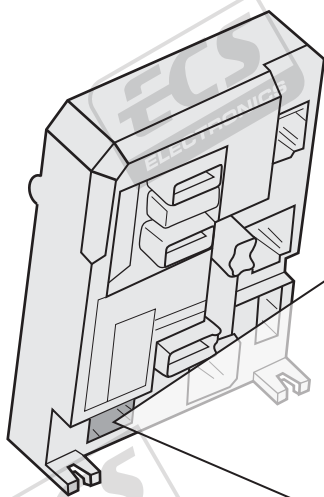
2



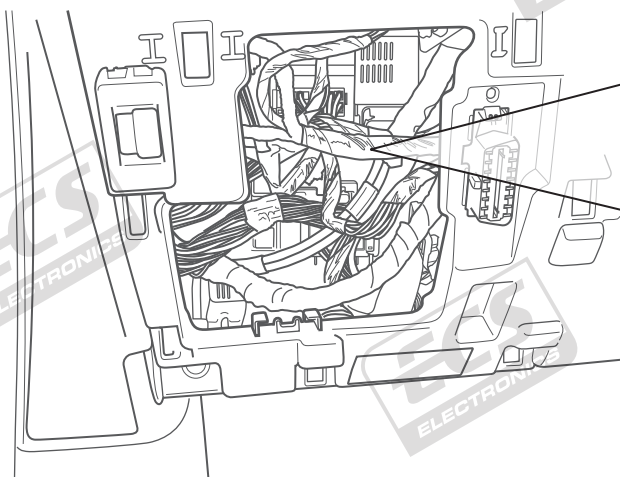
3



18



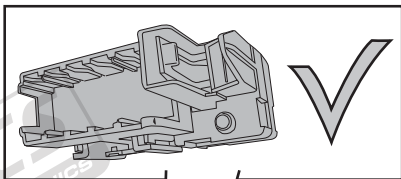
19



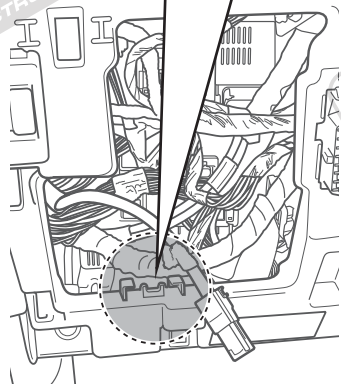
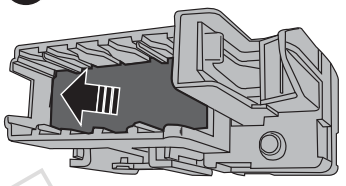
Remove tape.

All models

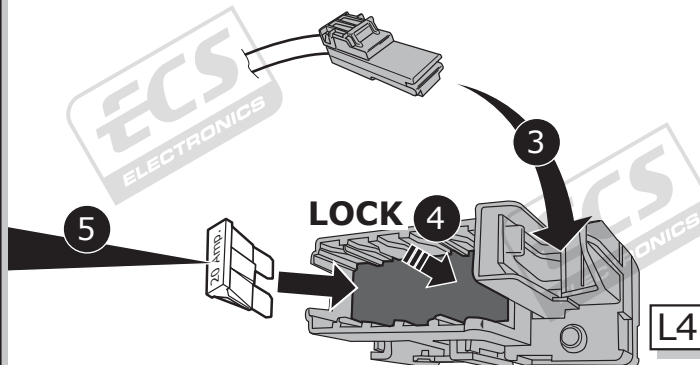
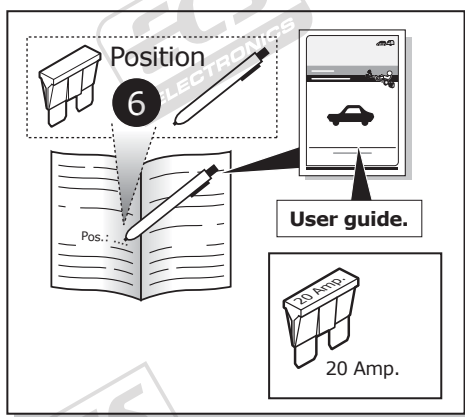
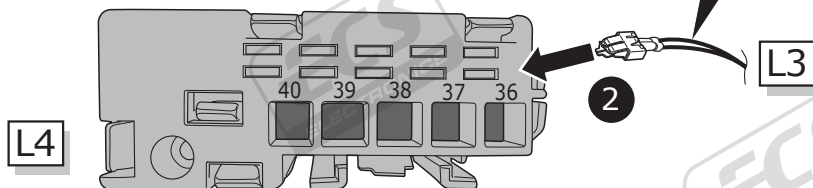
20



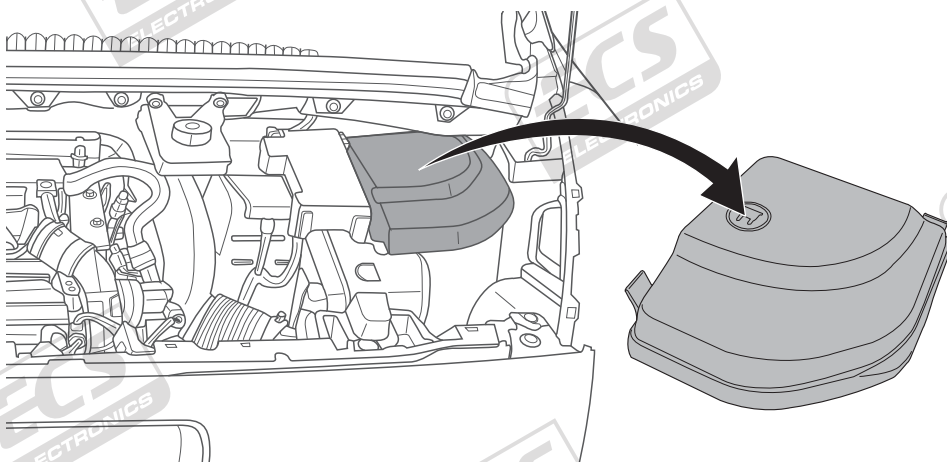
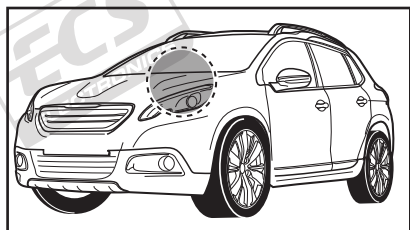
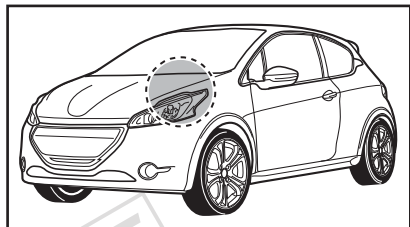
1 UNLOCK



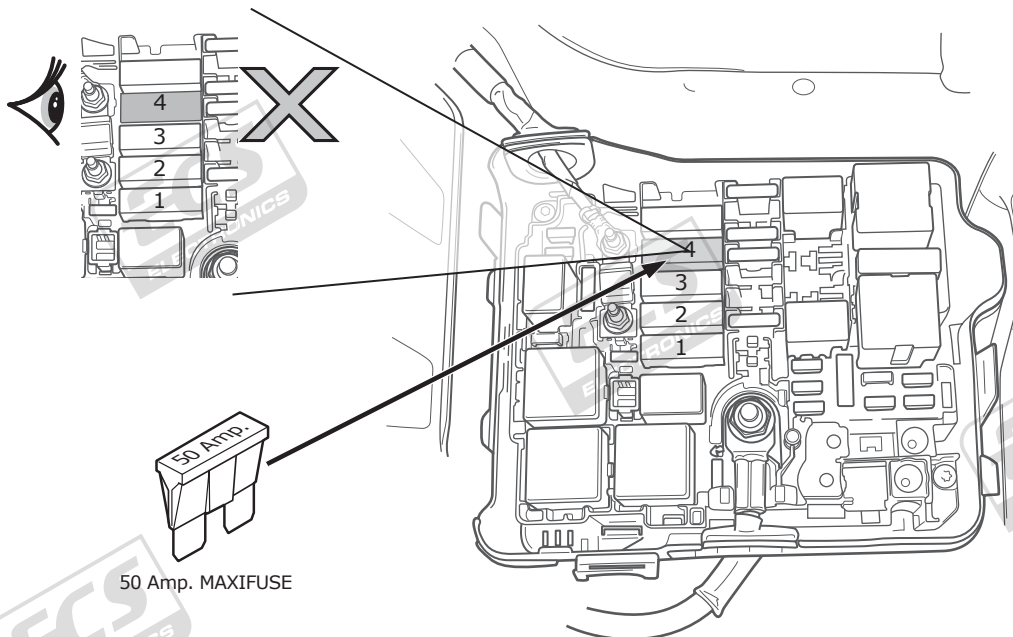
! Choose free position



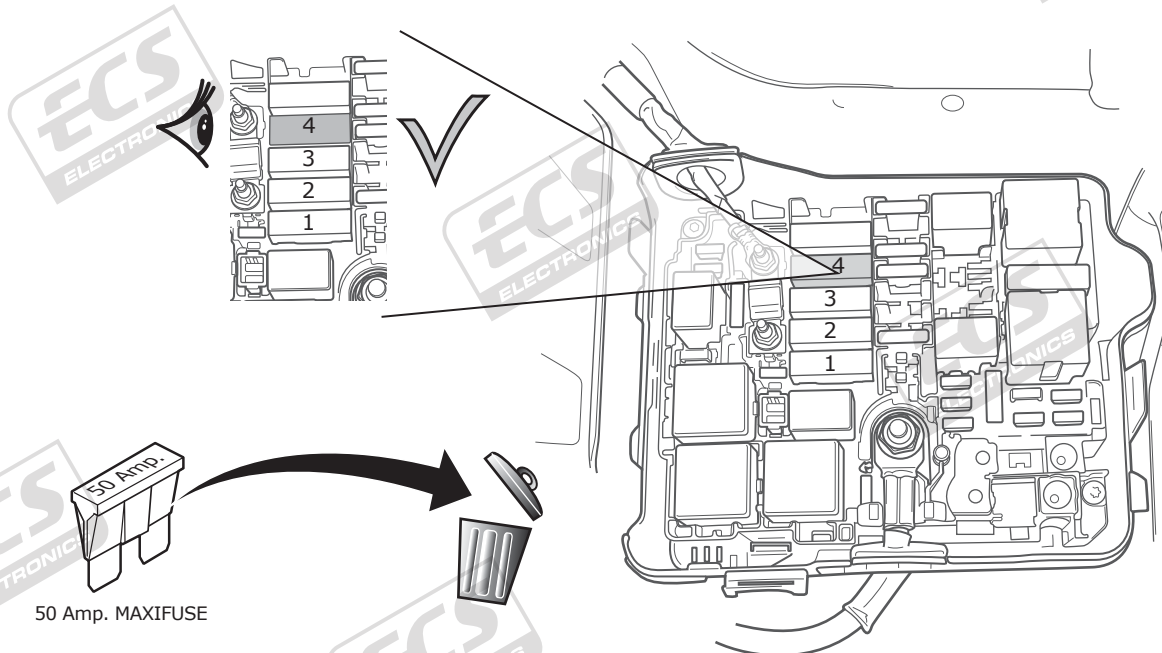
21



Option 1

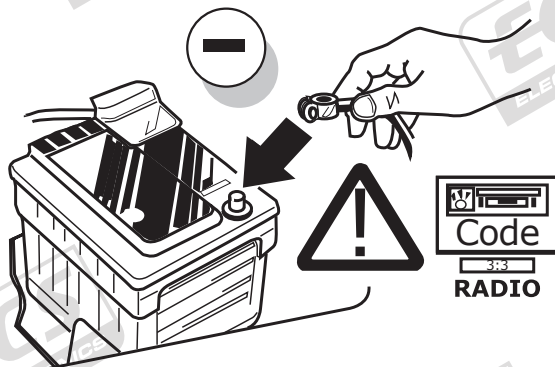


Option 2

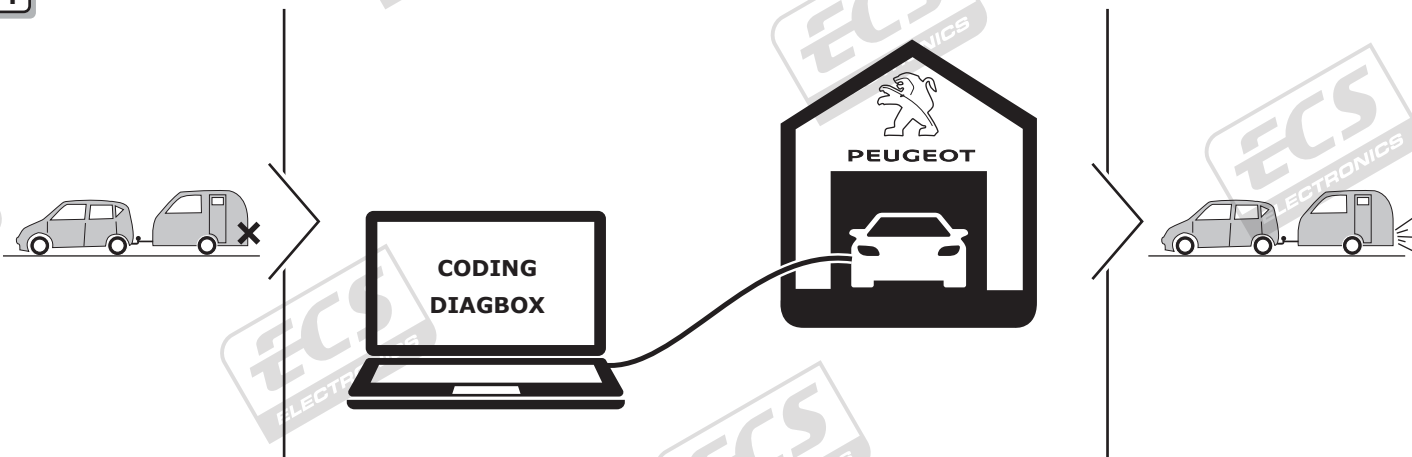


All models

23



24



Register for lighting functions

25

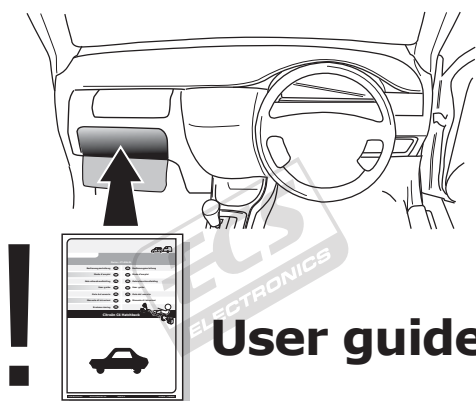
! TEST ALL THE CIRCUITS WITH A TEST DEVICE WITH THE CORRECT POWER LOAD FOR EACH FUNCTION. A TEST DEVICE WITH LED'S CANNOT BE USED FOR THIS PURPOSE.

INFO

REINSTALL TRIM.

All models

26



User guide



INFO

SOCKET CONNECTION

DIV/ISO 11446													
	1/L	2	3/31	4/R	5/58-R	6/54	7/58-L	8	9	10	11	12	13
Pmax	21W	21W		21W	42W	3x21W	42W	21W	180W/15Amp	180W/15Amp			
Colour	Yellow	Blue	White	Green	Brown	Red 1,00 mm ²	Black	Black/ Red	Brown/ White	Red 2,50 mm ²	White	-	White