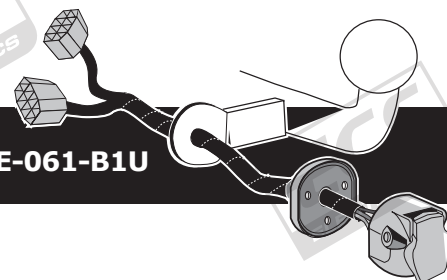


**Peugeot 508 Sedan (W2) 01/2011-
Peugeot 508 SW (W2) 01/2011-
Peugeot 508 RXH (W2) 04/2012-**

Partnr.: PE-061-B1U



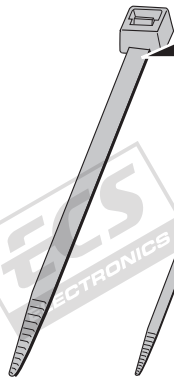
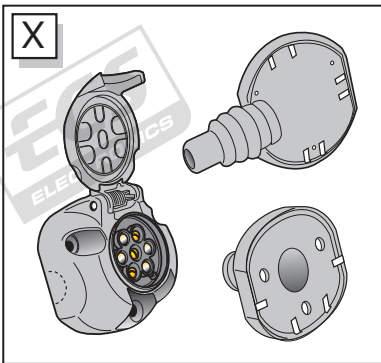
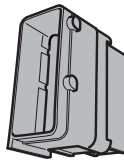
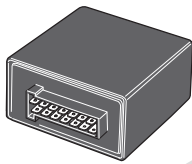
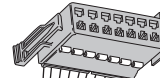
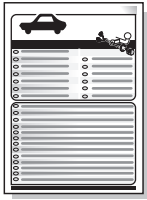
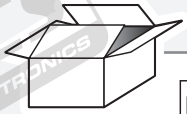
- Fitting instructions electric wiring kit tow bar with 12-N socket up to DIN/ISO Norm 1724.
- We would expressly point out that assembly not carried out properly by a competent installer will result in cancellation of any right to damage compensation, in particular those arising by virtue of the product liability act.
- Contents of these kits and their fitting manuals are subject to alteration without notice, please ensure that these instructions are read and fully understood before commencing installation.
- Do not overload circuits; the maximum loads per connection are detailed in this manual.
- Attention! Before Installation, please read this manual carefully and inform your customer to consult the vehicle owners manual to check for any vehicle modifications required before towing.
- In the event of functional problems, troubleshooting must be limited to about 0.5 hours, contact the technical support:
t.skinner@ecs-electronics.com / 07440 202 052.

TECHNICAL SUPPORT

**CALL
07440
202
052**

ECS ELECTRONICS
MONDAY TO FRIDAY
08.00 - 11.00 am
12.00 - 05.00 pm
t.skinner@ecs-electronics.com
www.ecs-electronicsuk.co.uk

Part list



UN-243-YZ

Optional reverse lamp
pre-wire extension included



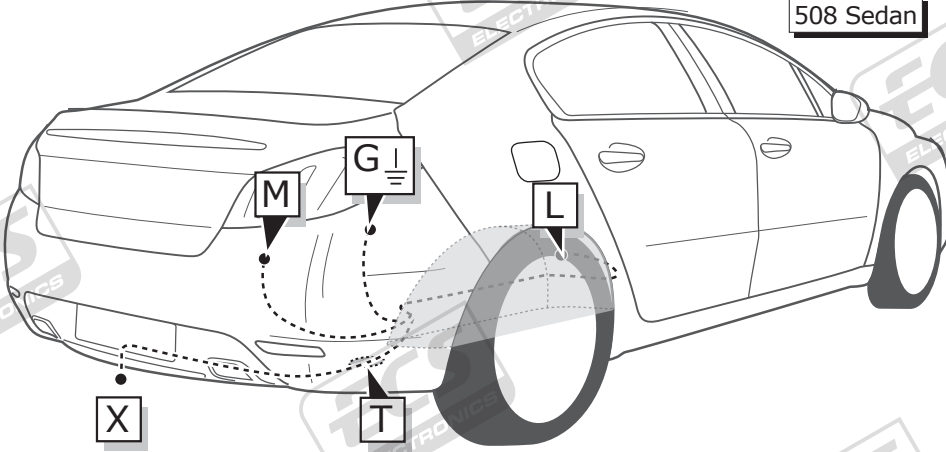
Pag. 12



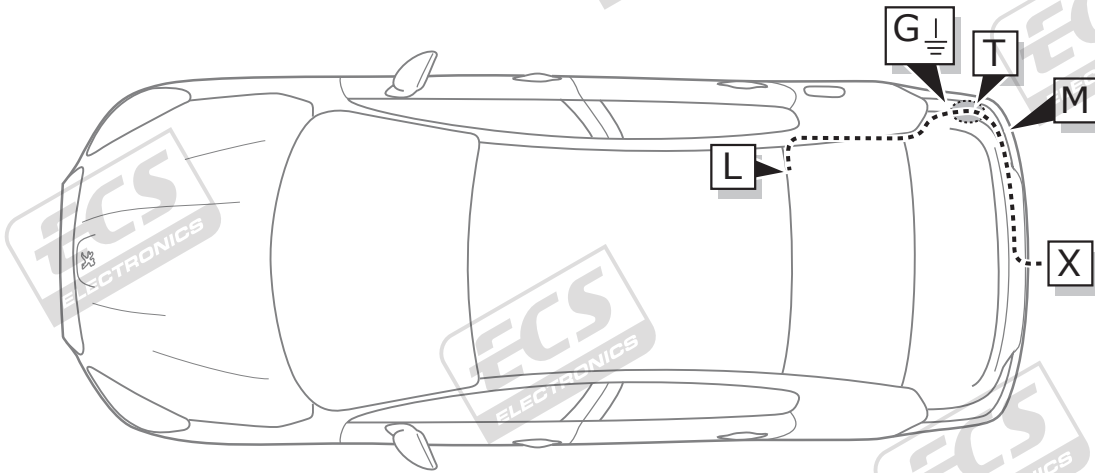
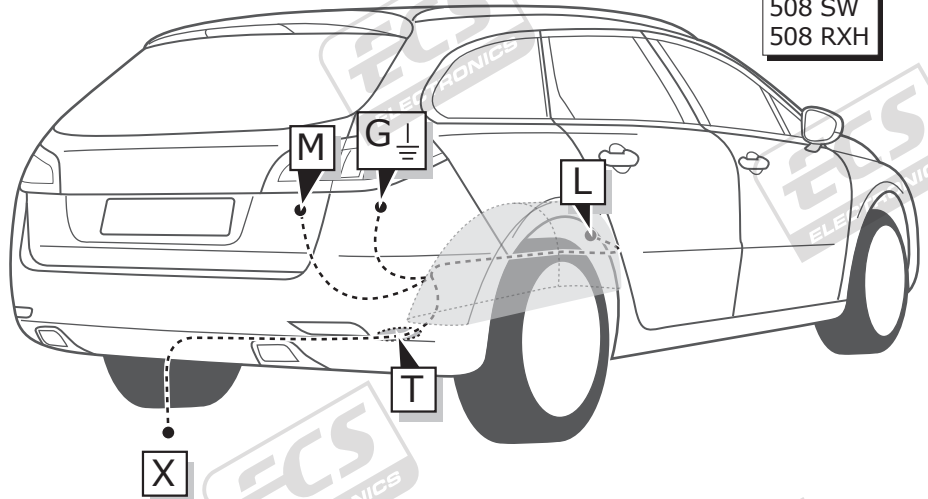
20 Amp.
minifuse

ROUTING

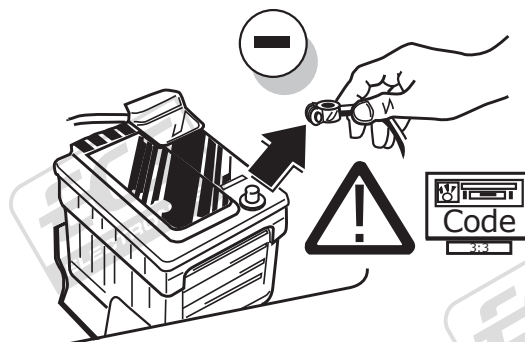
508 Sedan



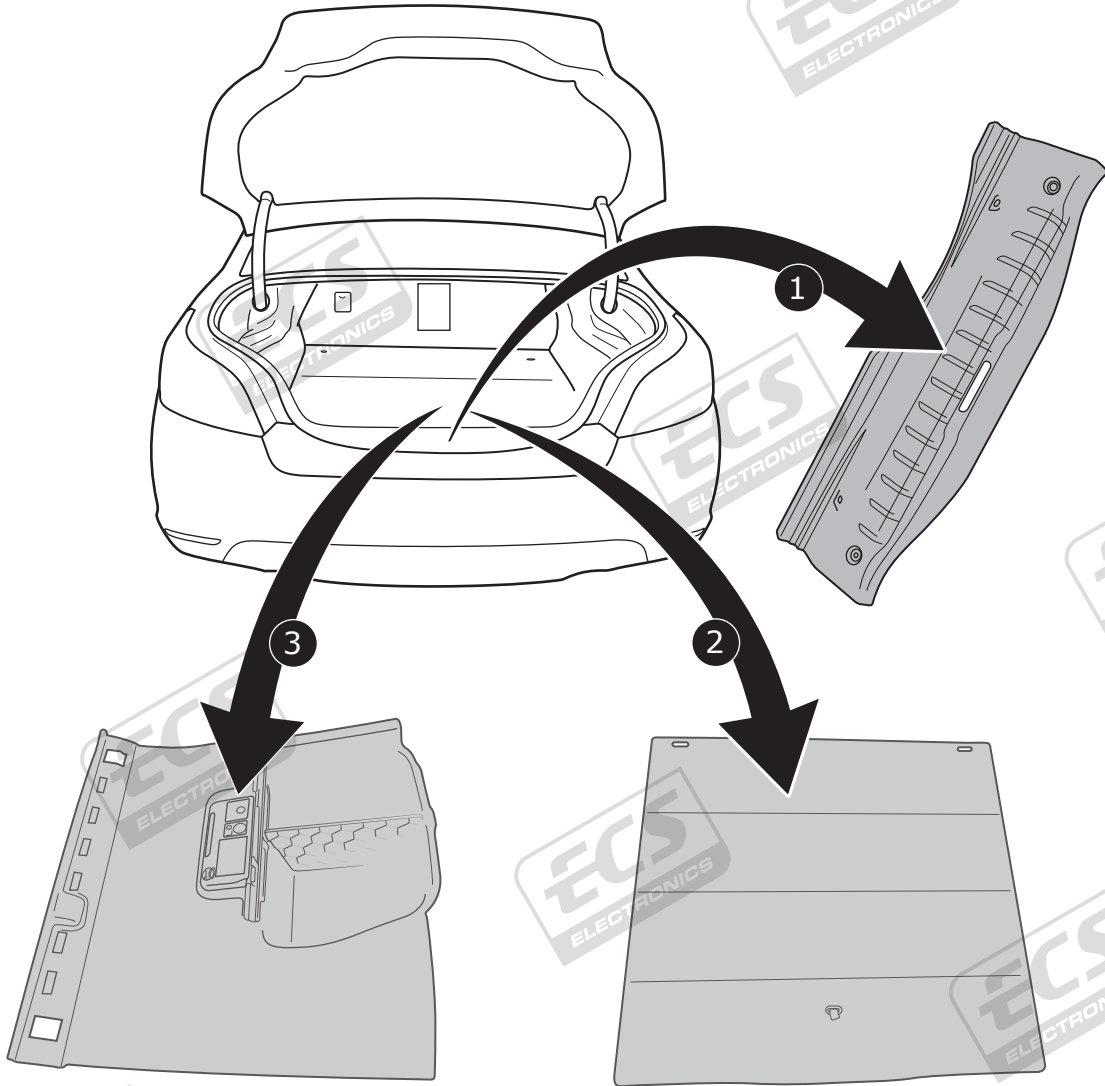
508 SW
508 RXH



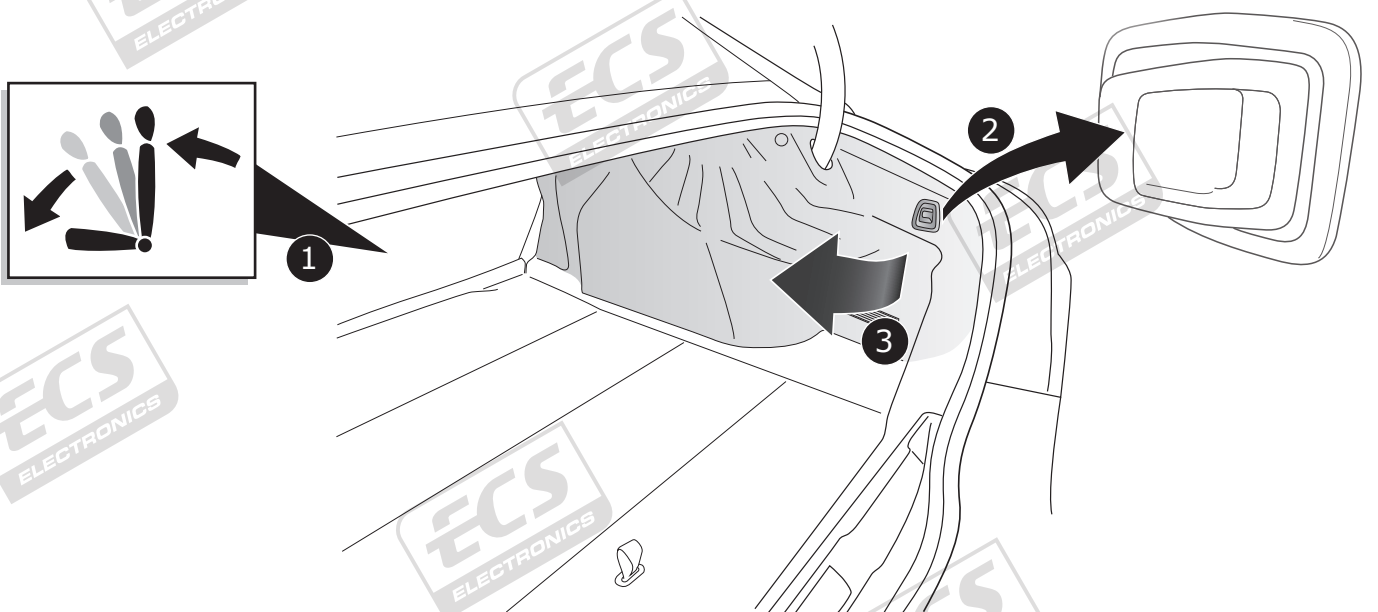
1



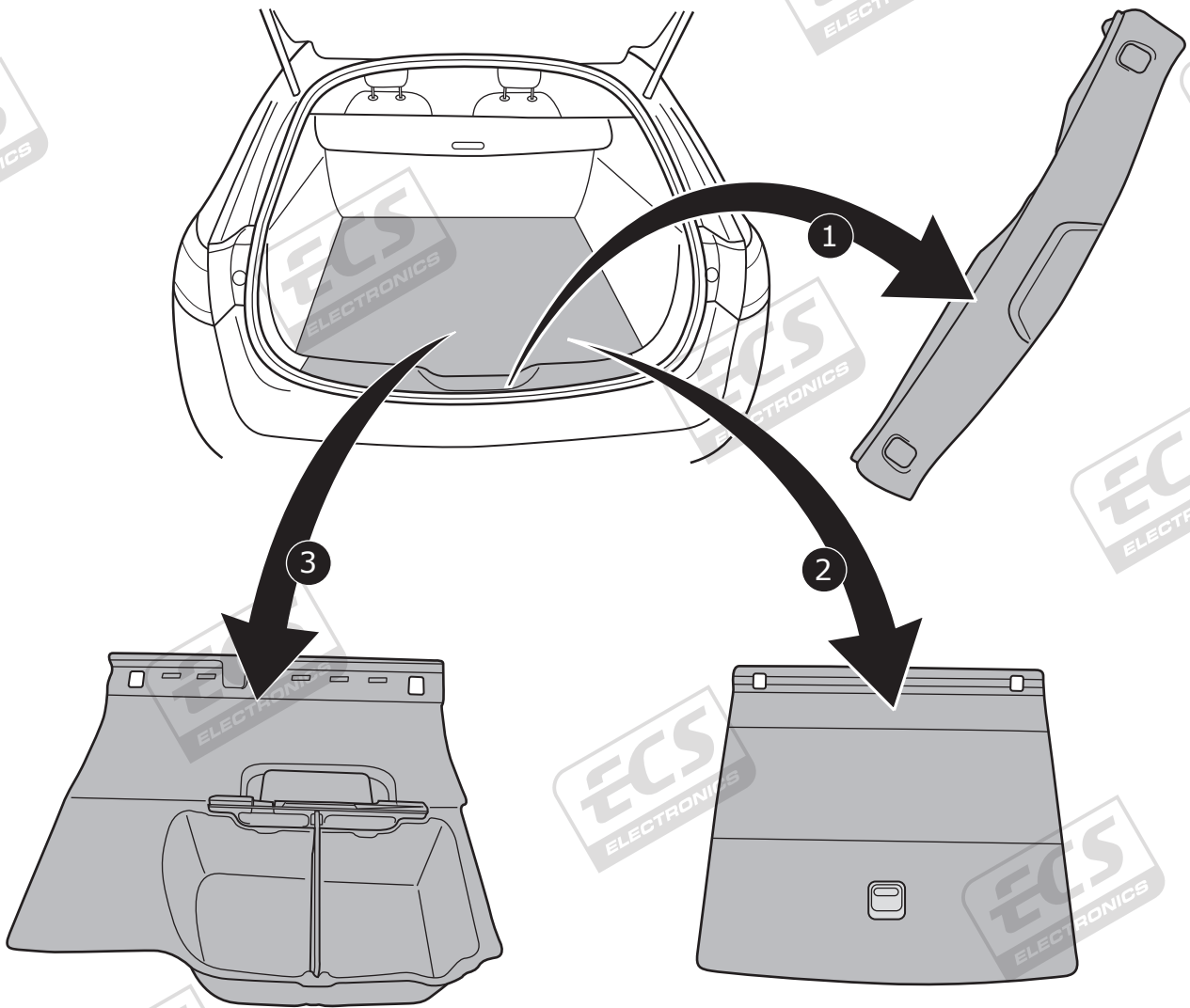
2



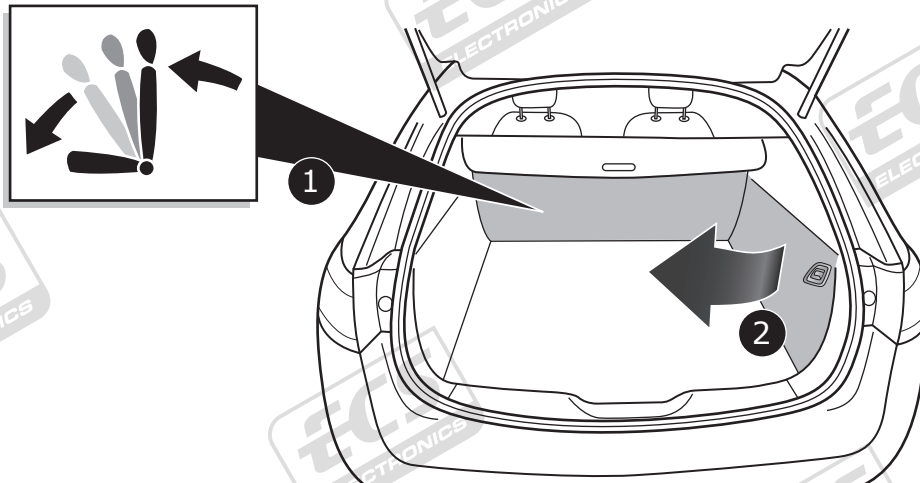
3

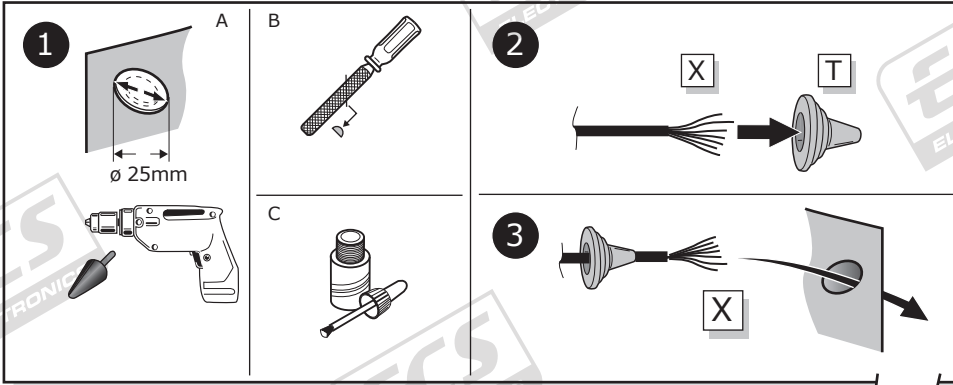


4

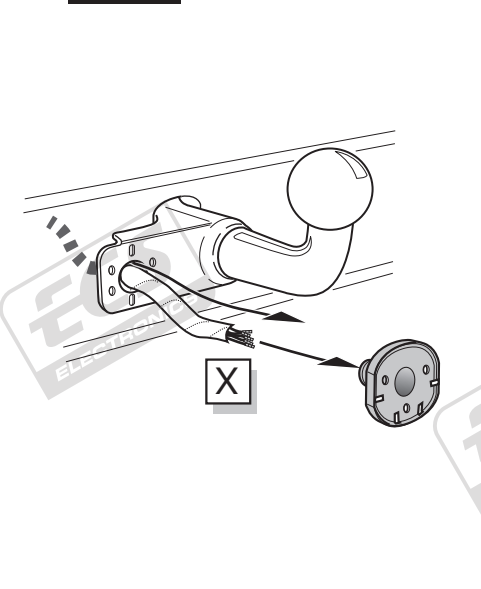


5

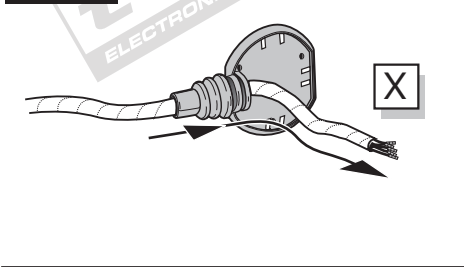




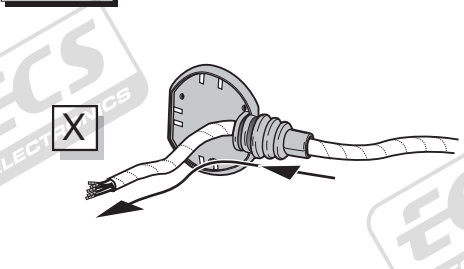
A Option 1



Option 2



Option 3

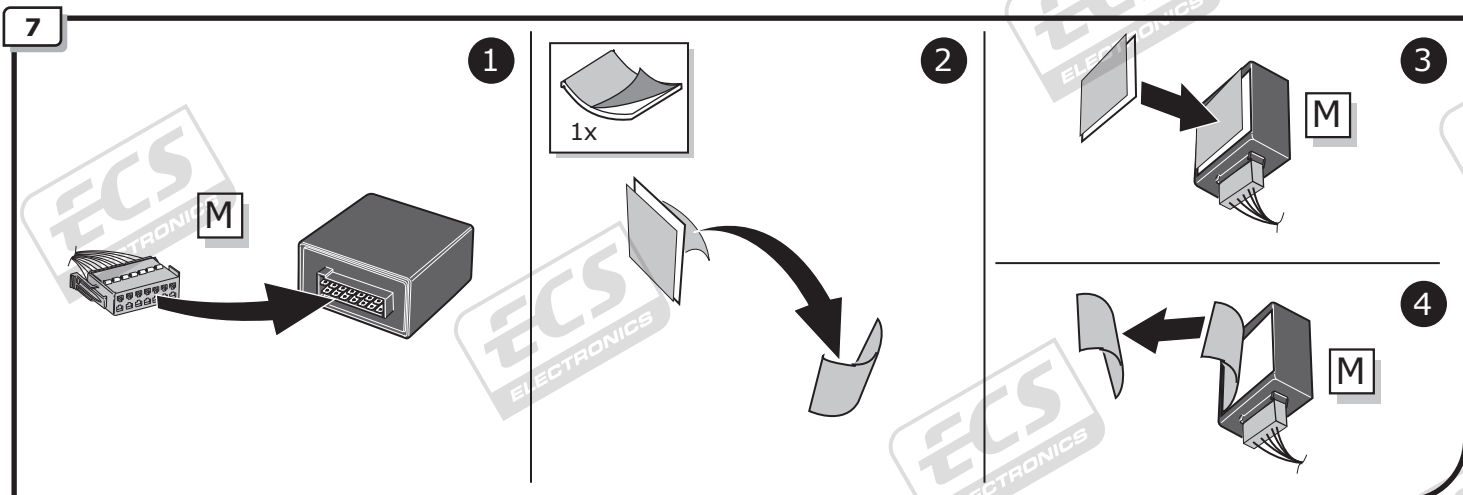
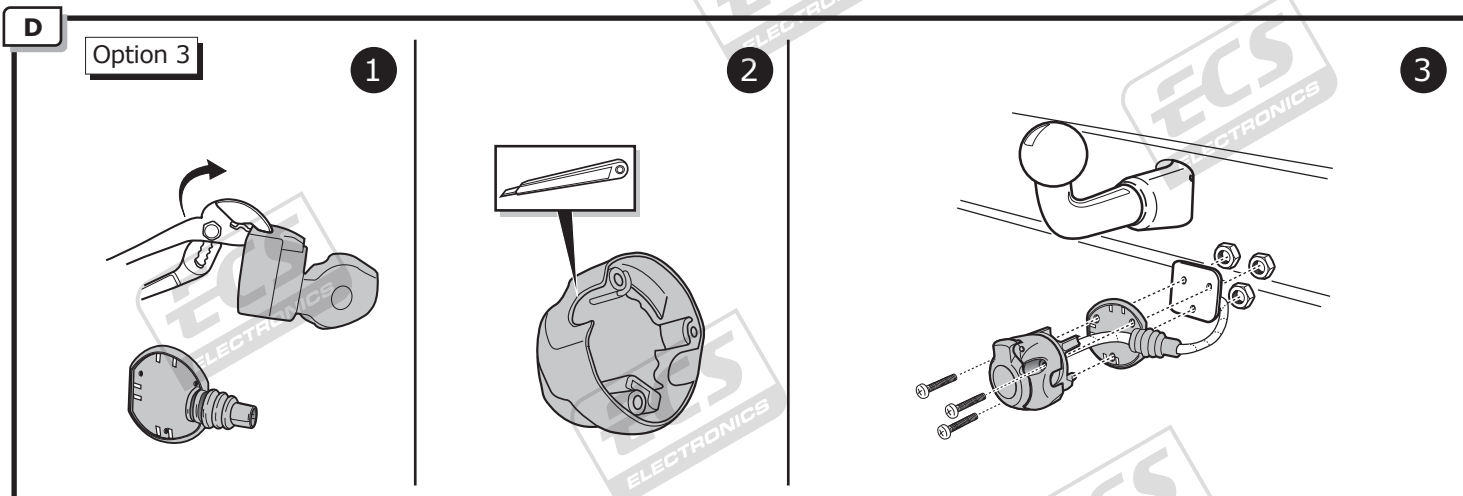
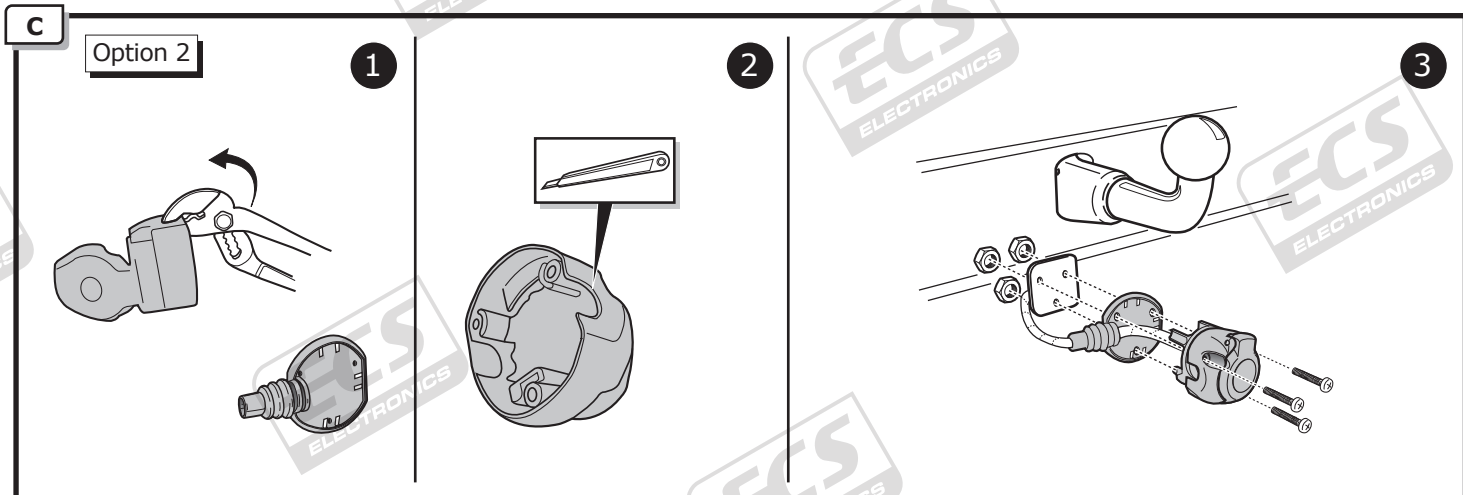
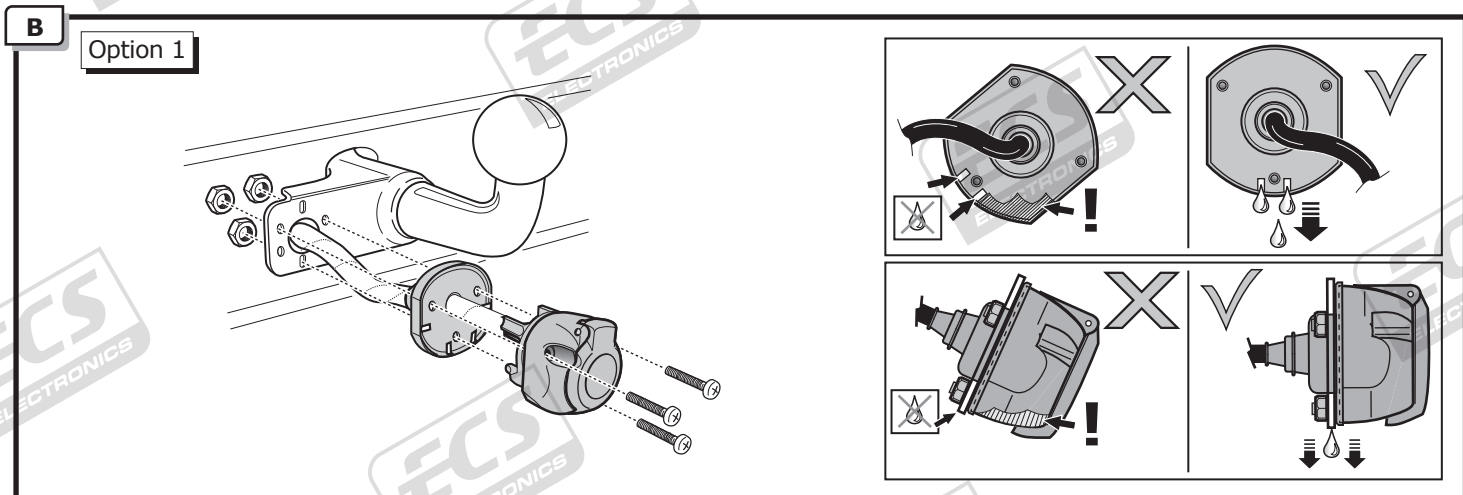


INFO

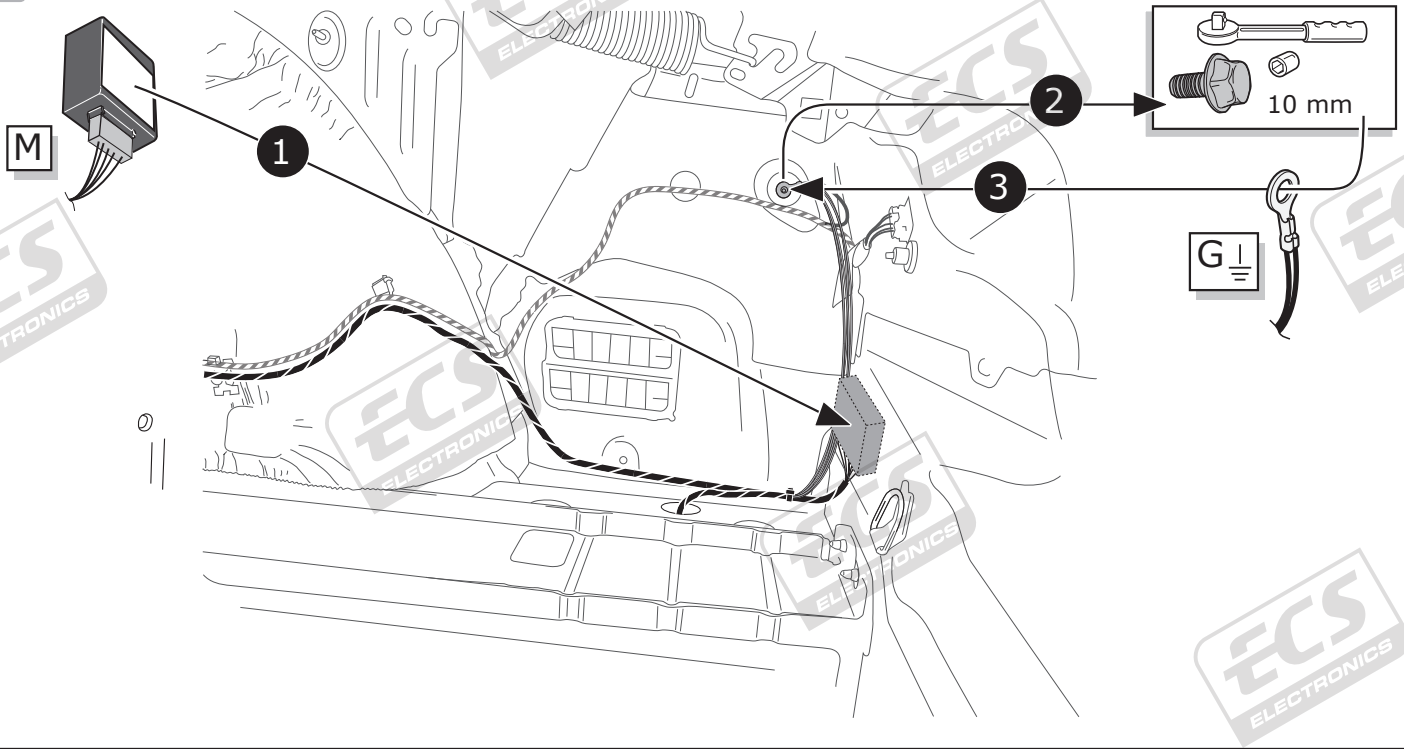
SOCKET CONNECTION



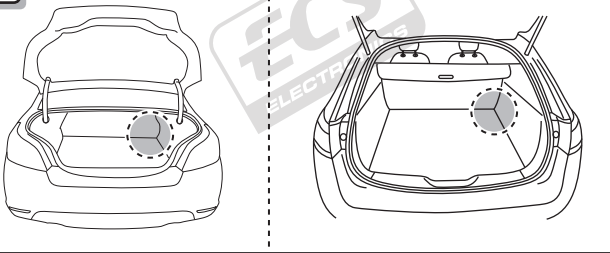
Pag. 11



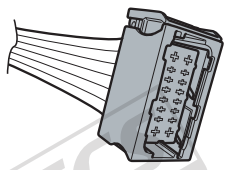
8



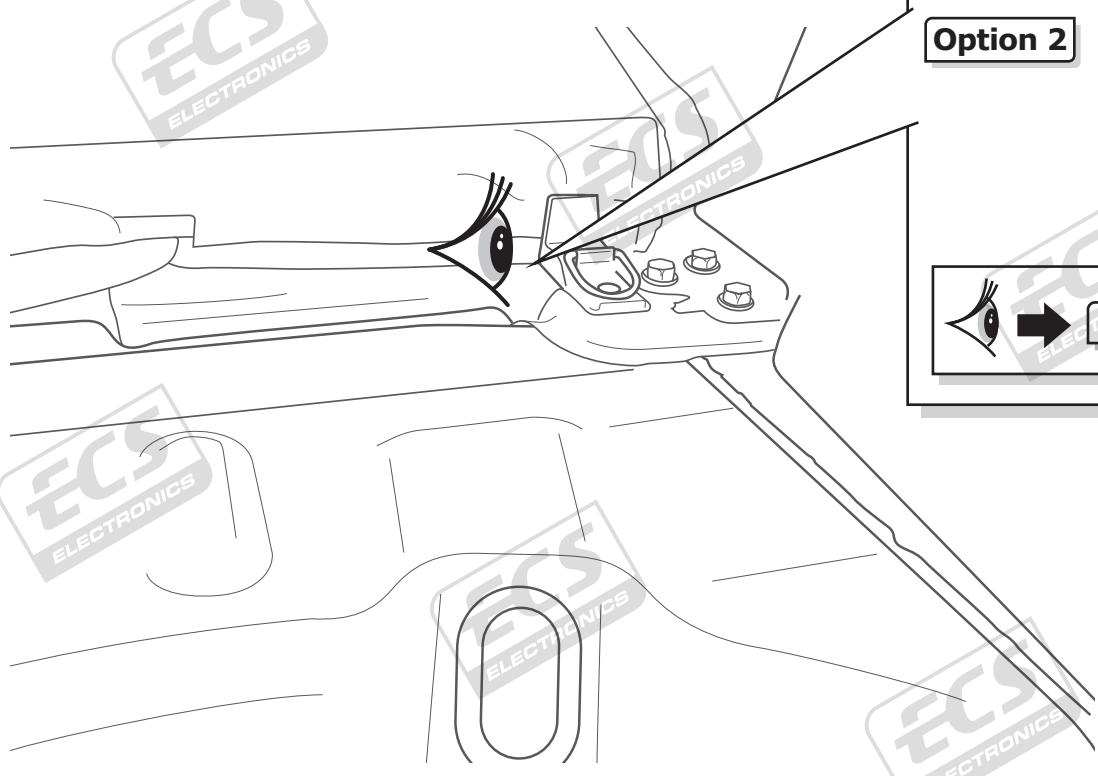
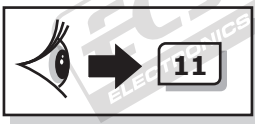
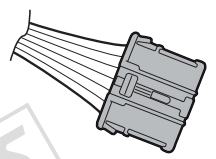
9



Option 1

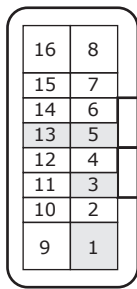


Option 2

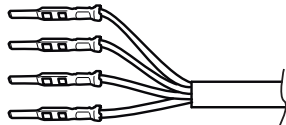


10

Option 1



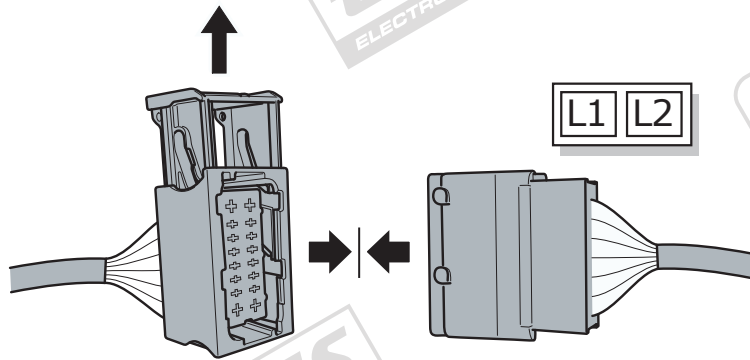
L2



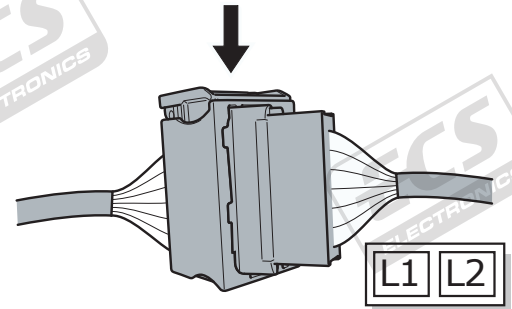
L1

Pin 1	12 V	Orange + Orange
Pin 3	CAN H	Yellow/Black
Pin 5	CAN L	Green/Black
Pin 13	54	Blue/Red

1



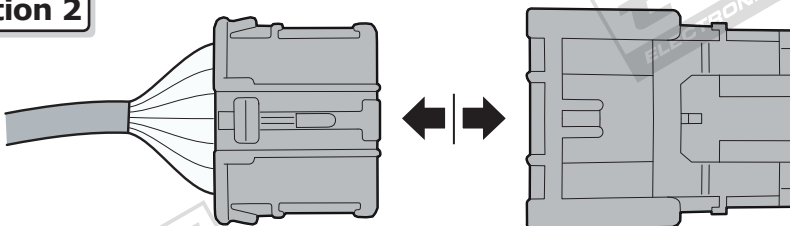
2



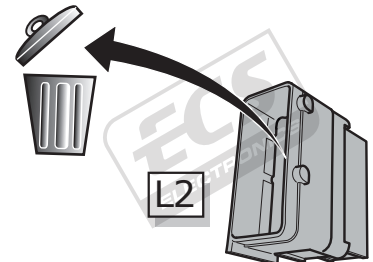
3

11

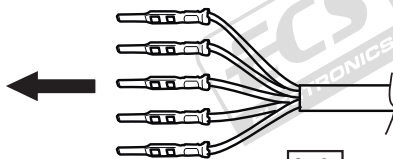
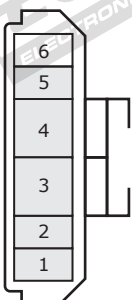
Option 2



1



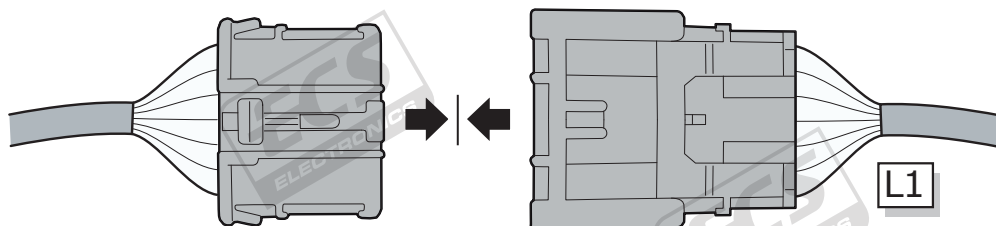
2



L1

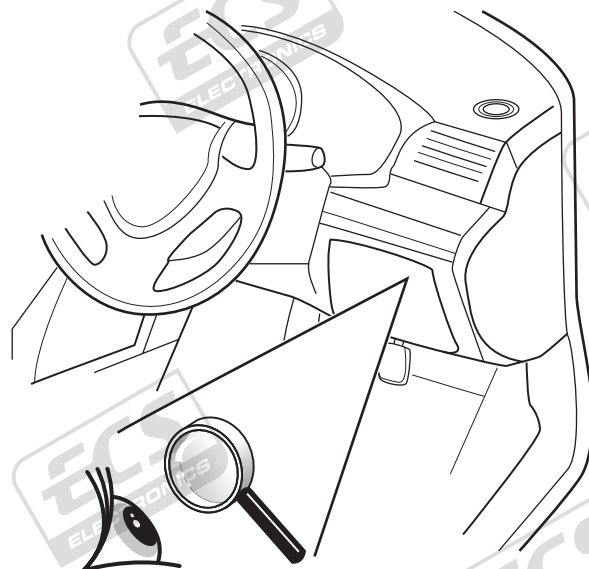
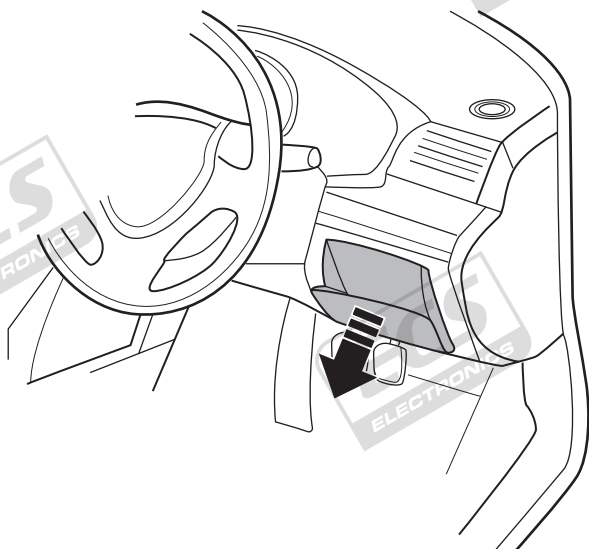
Pin 1	CAN H	Yellow/Black
Pin 2	54	Blue/Red
Pin 4	12 V	Orange + Orange
Pin 5	CAN L	Green/Black

3

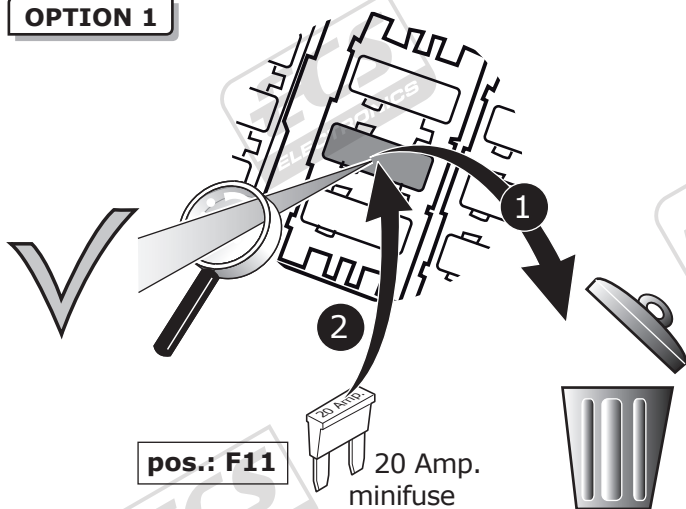


4

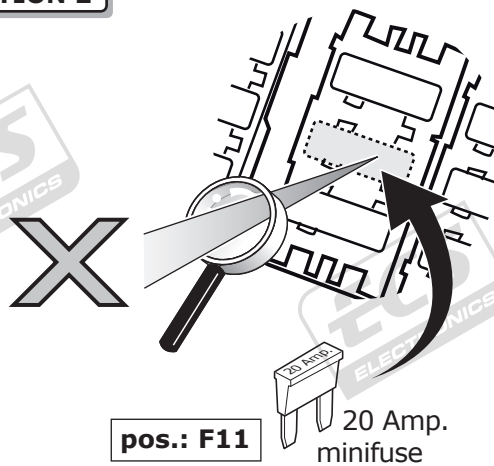
12



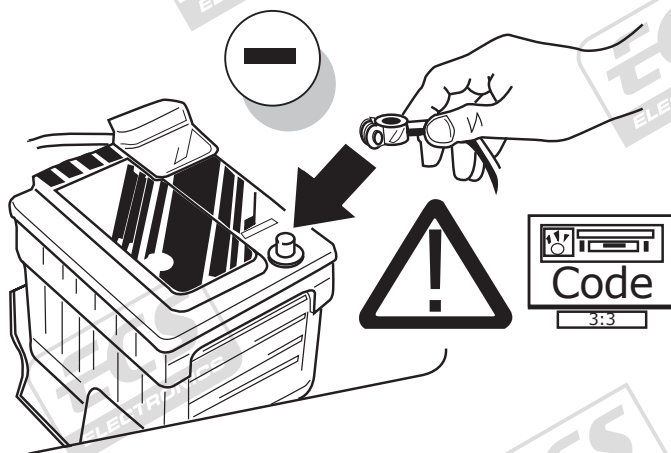
OPTION 1



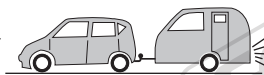
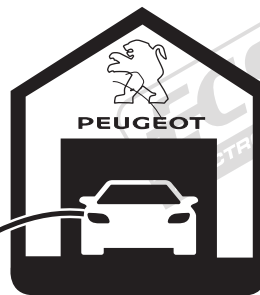
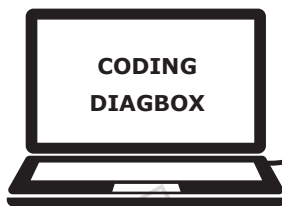
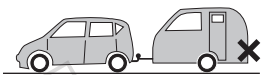
OPTION 2



13



INFO



Register for lighting functions

14

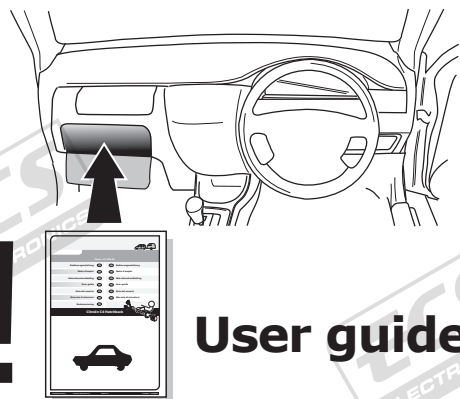


TEST ALL THE CIRCUITS WITH A TEST DEVICE WITH THE CORRECT POWER LOAD FOR EACH FUNCTION. A TEST DEVICE WITH LED'S CANNOT BE USED FOR THIS PURPOSE.

INFO

REINSTALL TRIM.

15



User guide

TECHNICAL SUPPORT

CALL 07440 202 052

ECS ELECTRONICS MONDAY TO FRIDAY
08.00 - 11.00 am
12.00 - 05.00 pm
t.kennner@ecs-electronics.com
www.ecs-electronicsuk.co.uk

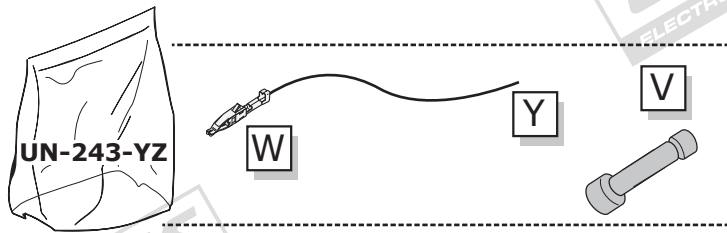
INFO

SOCKET CONNECTION

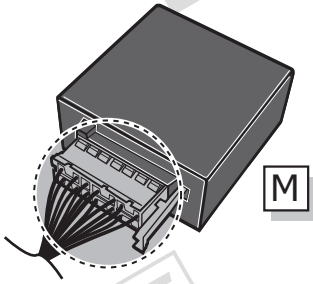
DIN/ISO 1724							
	1/L	2	3/31	4/R	5/58-R	6/54	7/58-L
Pmax	21W	21W		21W	42W	3x21W	42W
Colour	Yellow	Blue	White	Green	Brown	Red	Black

UN-243-YZ Reverse lamp pre-wire extension

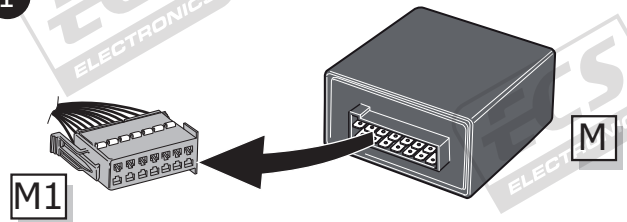
⚠ MAX = 21W



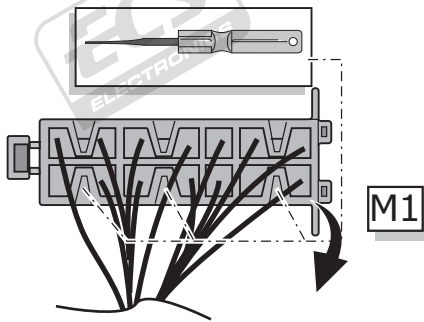
A



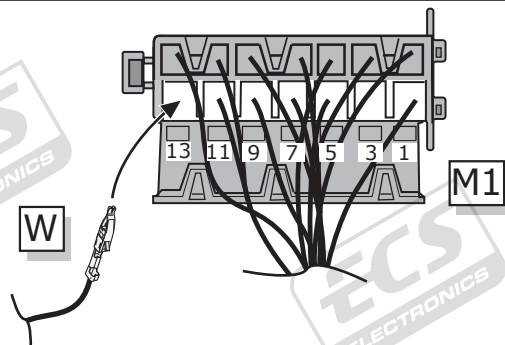
1



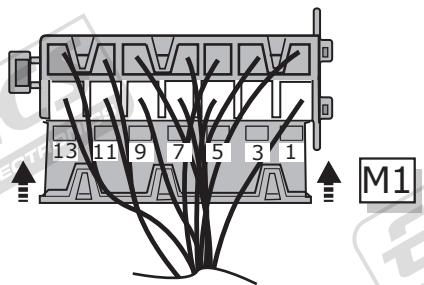
2



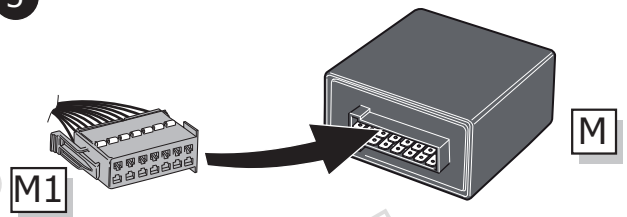
3



4



5



B

⚠ MAX = 21W

