

Opel Movano 03/2010-  
Renault Master 03/2010-  
Nissan Interstar NV400 Chassis CAB 03/2010-

Partnr.: OP-073-BLU

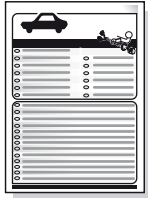
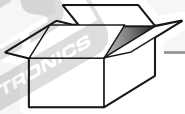
- Fitting instructions electric wiring kit tow bar with 12-N socket up to DIN/ISO Norm 1724.
- We would expressly point out that assembly not carried out properly by a competent installer will result in cancellation of any right to damage compensation, in particular those arising by virtue of the product liability act.
- Contents of these kits and their fitting manuals are subject to alteration without notice, please ensure that these instructions are read and fully understood before commencing installation.
- Do not overload circuits; the maximum loads per connection are detailed in this manual.
- Attention! Before Installation, please read this manual carefully and inform your customer to consult the vehicle owners manual to check for any vehicle modifications required before towing.
- In the event of functional problems, troubleshooting must be limited to about 0.5 hours, contact the technical support:  
[t.skinner@ecs-electronics.com](mailto:t.skinner@ecs-electronics.com) / 07440 202 052.

**TECHNICAL SUPPORT**

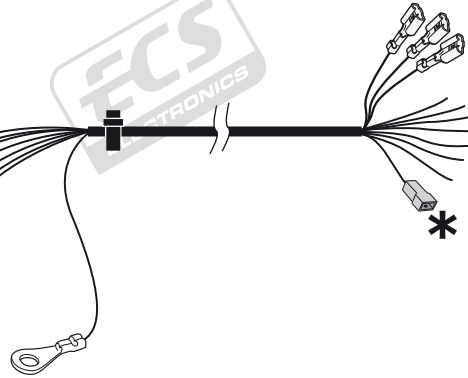
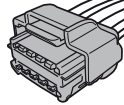
**CALL**  
**07440**  
**202**  
**052**

**ECS ELECTRONICS**  
MONDAY TO FRIDAY  
08.00 - 11.00 am  
12.00 - 05.00 pm  
[t.skinner@ecs-electronics.com](mailto:t.skinner@ecs-electronics.com)  
[www.ecs-electronicsuk.co.uk](http://www.ecs-electronicsuk.co.uk)

# Part list

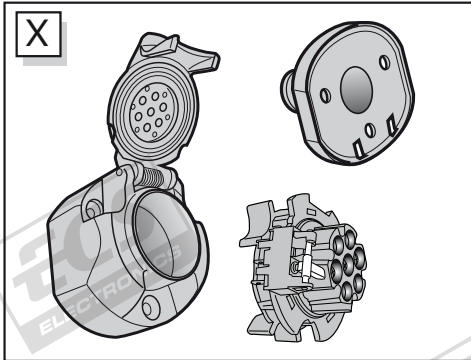
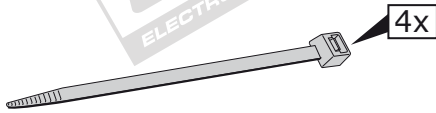


L1

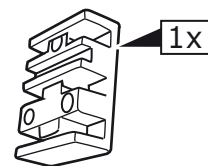
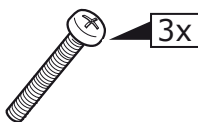


X

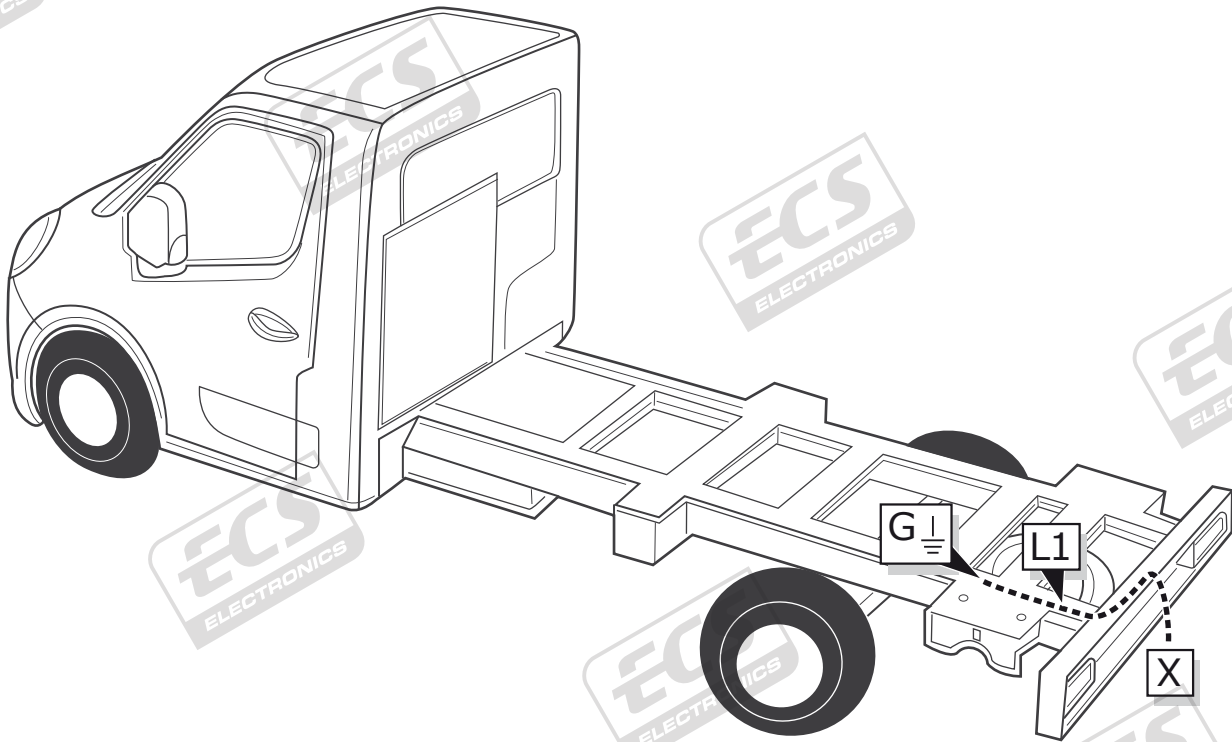
G



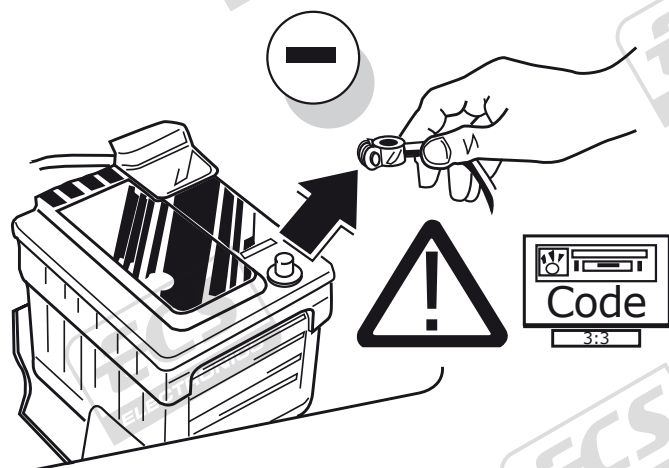
\* Reverse signal preparation

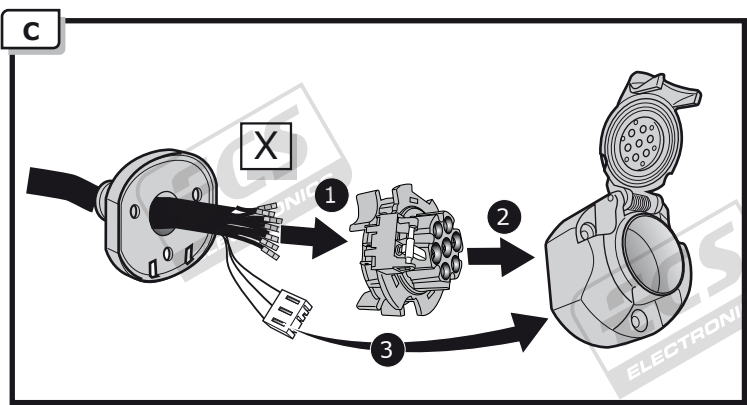
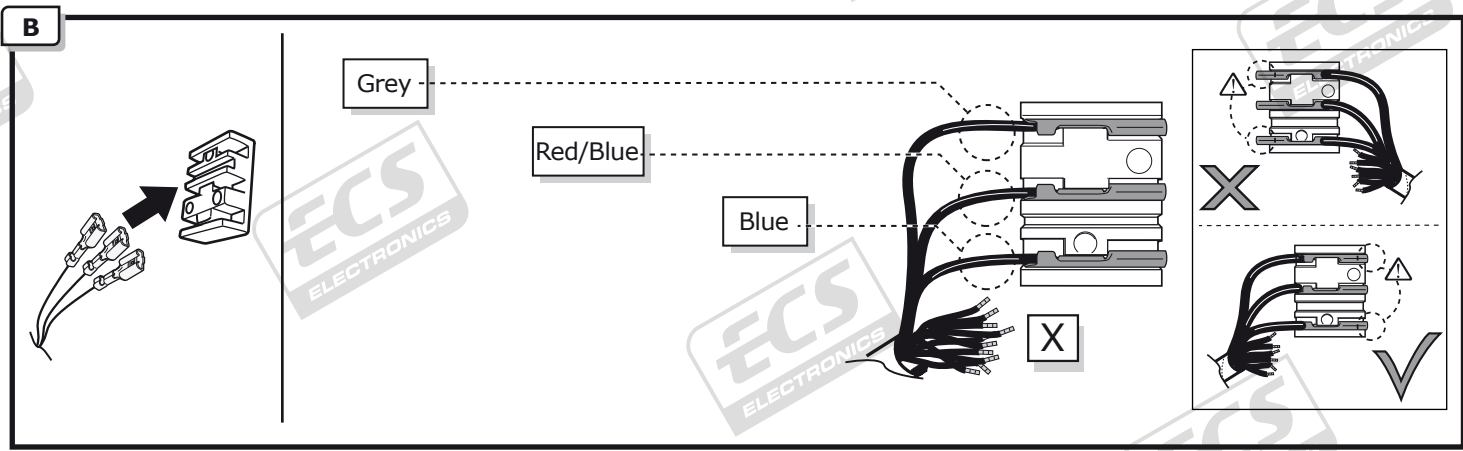
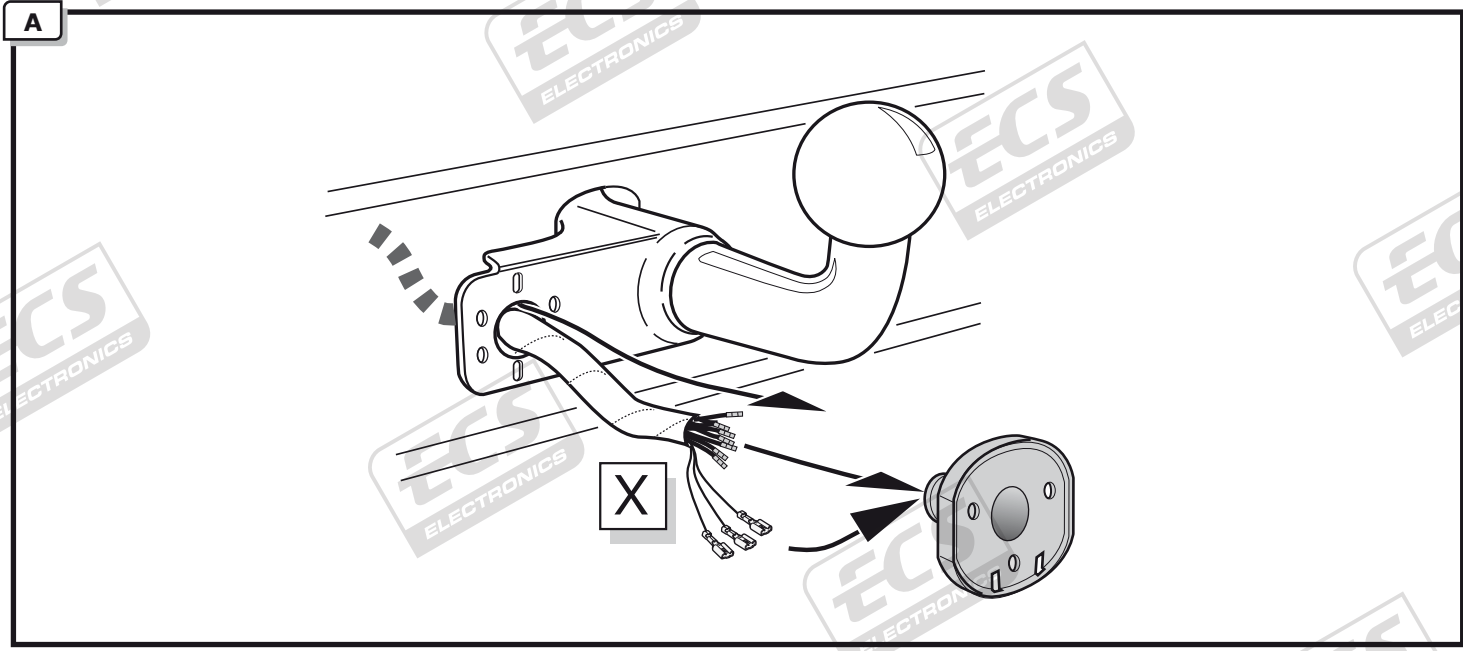


**ROUTING**



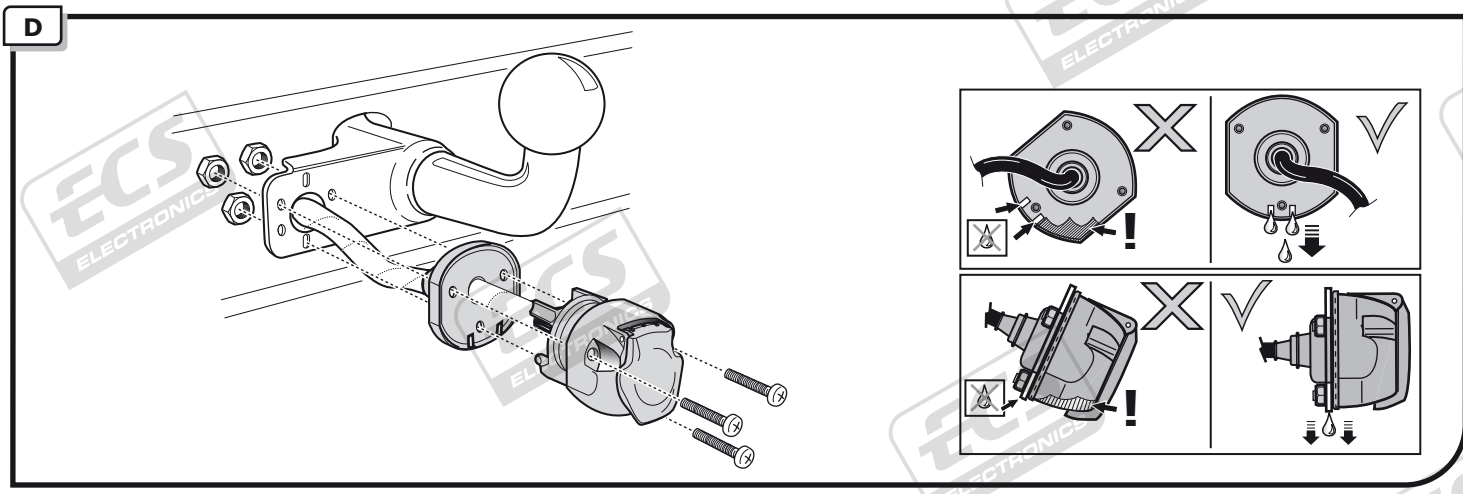
**1**



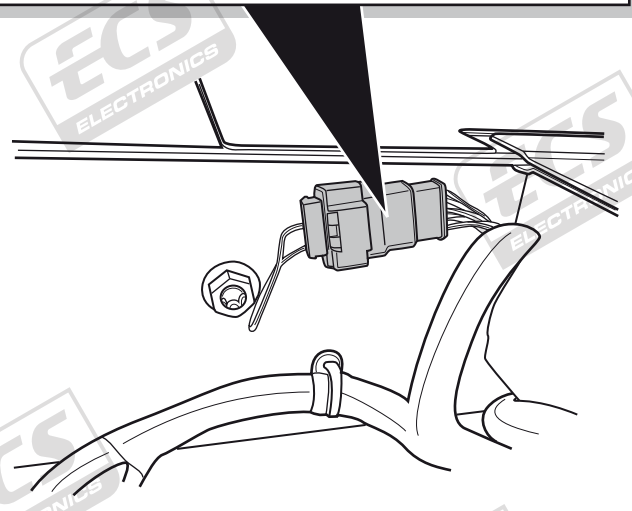
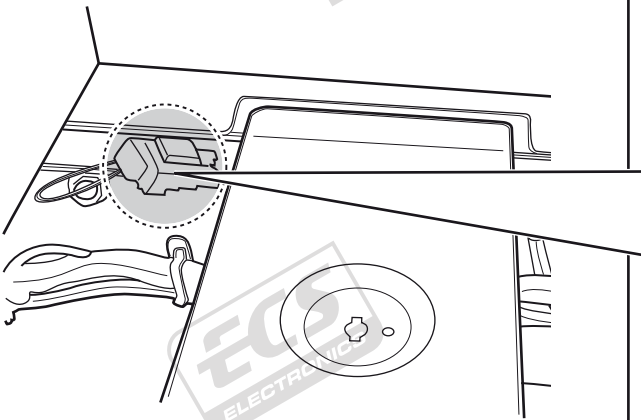
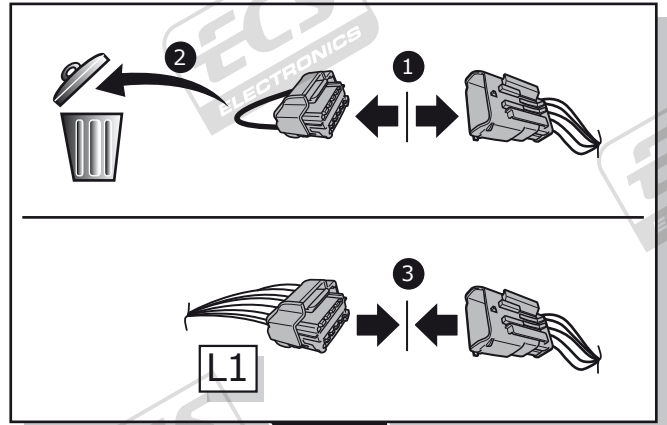
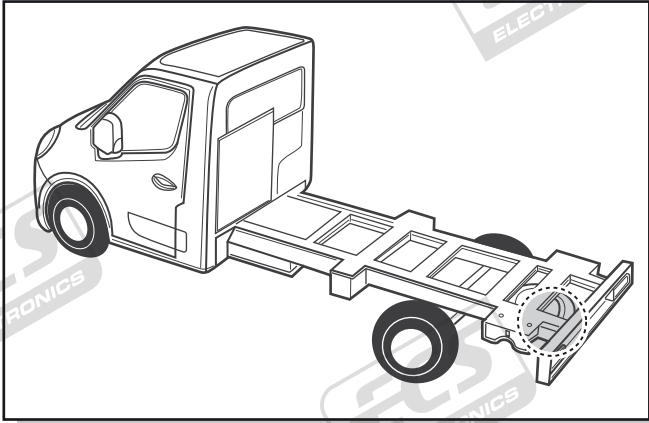


**INFO**

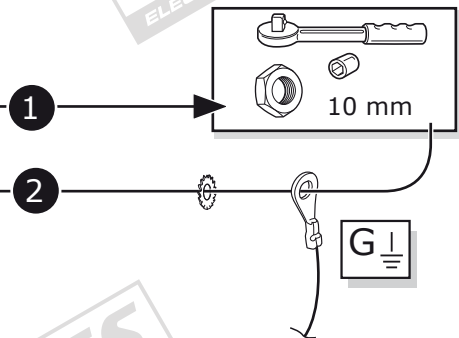
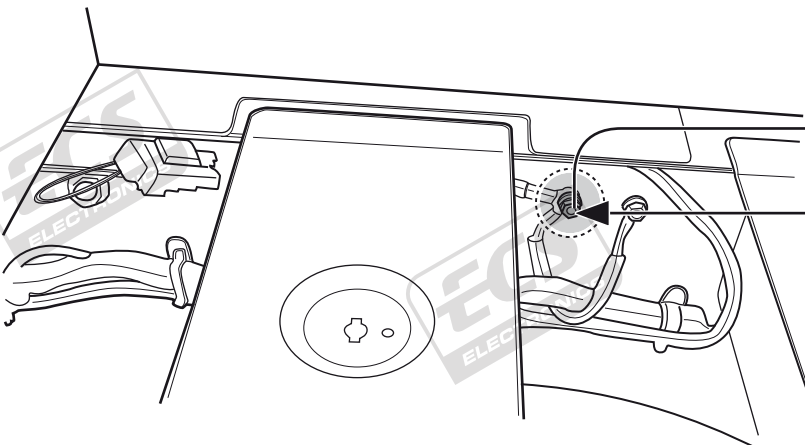
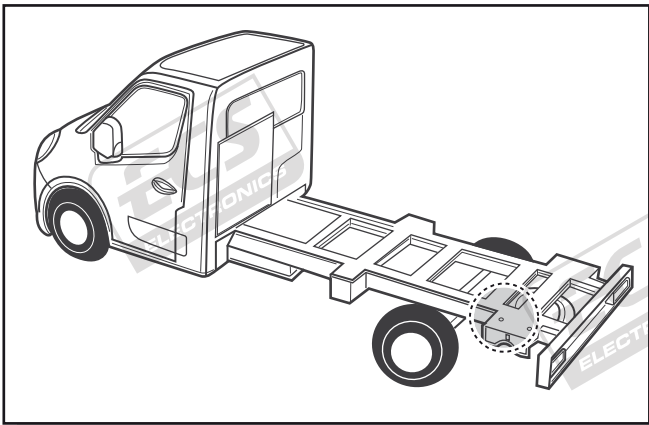
SOCKET CONNECTION



2

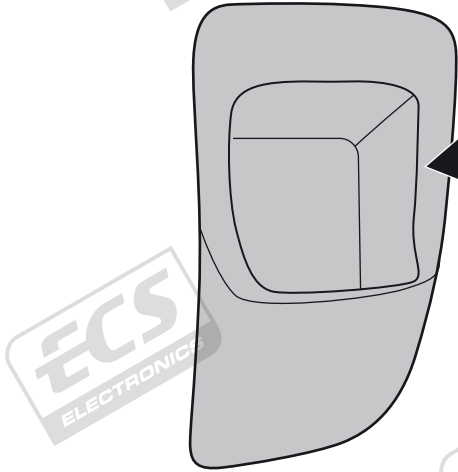
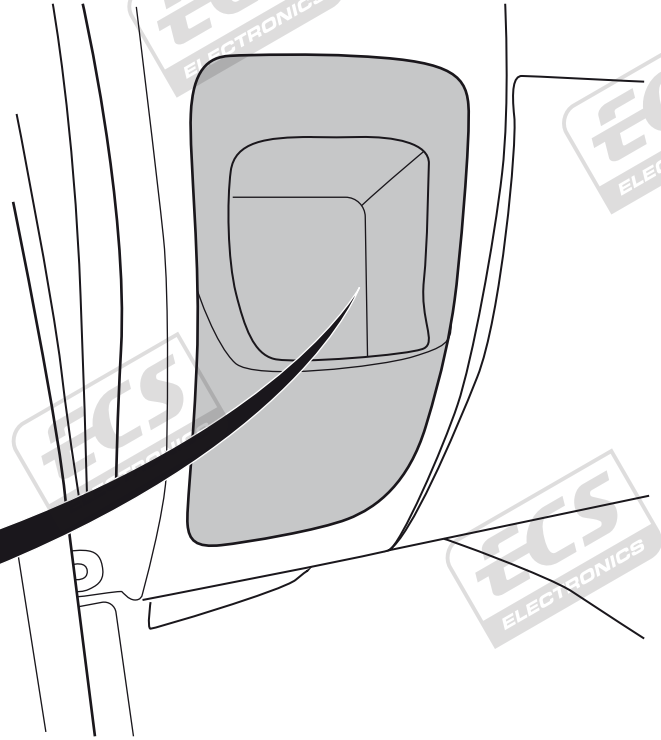
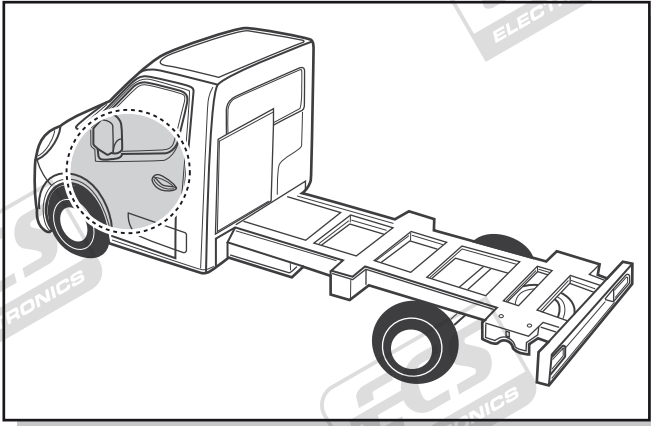


3

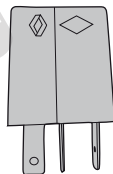
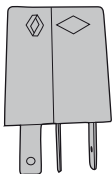
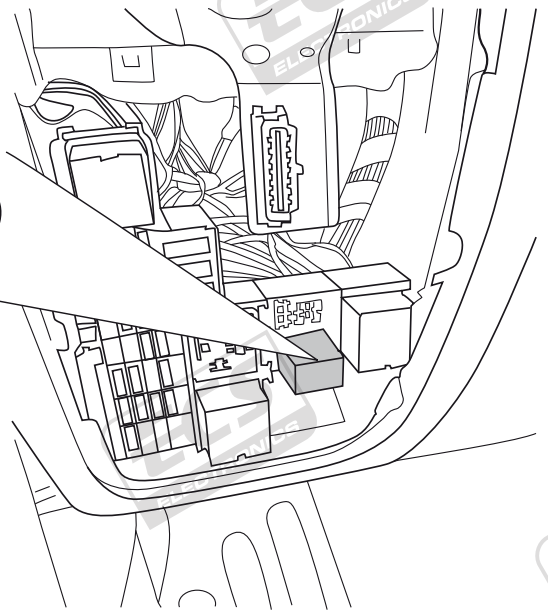
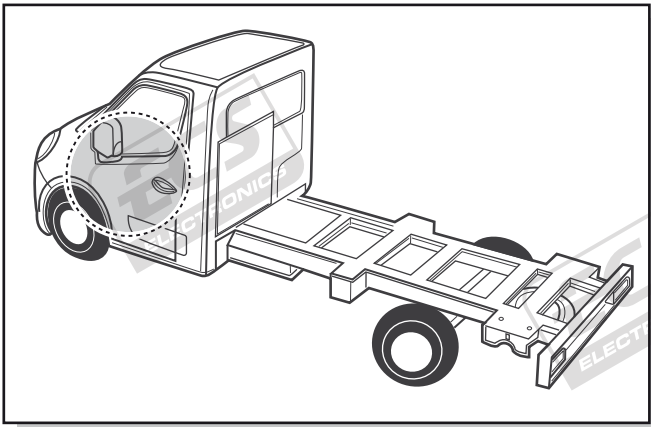




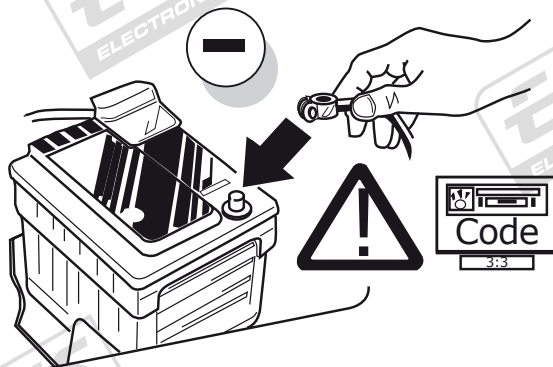
4



5



6



7

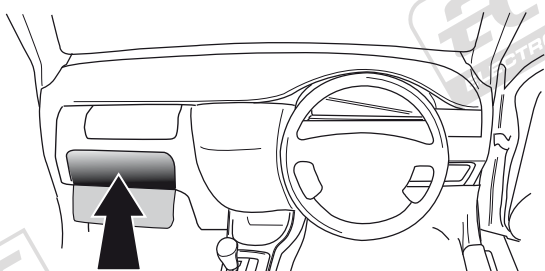


TEST ALL THE CIRCUITS WITH A TEST DEVICE WITH THE CORRECT POWER LOAD FOR EACH FUNCTION. A TEST DEVICE WITH LED'S CANNOT BE USED FOR THIS PURPOSE.

INFO

REINSTALL TRIM.

8



**User guide**



**INFO**

**SOCKET CONNECTION**

DIN/ISO 1724			$\underline{\underline{1-7}}$					
Pmax	21W	2x21W	3/31	21W	42W	3x21W	42W	8
Colour	Yellow	Blue	White	Green	Brown	Red	Black	Grey

**Reverse signal preparation**

