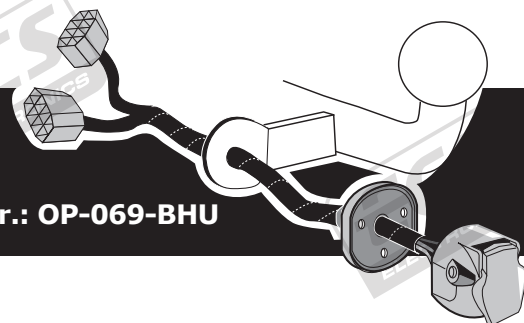


Vauxhall Vivaro B 08/2014 >> 08/2019  
Renault Traffic 08/2014 >>  
Fiat Talento 07/2016 >>  
Nissan NV 300 09/2016 >>

Partnr.: OP-069-BHU



- Fitting instructions electric wiring kit tow bar with 12-N socket up to DIN/ISO Norm 1724.
- We would expressly point out that assembly not carried out properly by a competent installer will result in cancellation of any right to damage compensation, in particular those arising by virtue of the product liability act.
- Contents of these kits and their fitting manuals are subject to alteration without notice, please ensure that these instructions are read and fully understood before commencing installation.
- Do not overload circuits; the maximum loads per connection are detailed in this manual.
- Attention! Before Installation, please read this manual carefully and inform your customer to consult the vehicle owners manual to check for any vehicle modifications required before towing.
- In the event of functional problems, troubleshooting must be limited to about 0.5 hours, contact the technical support:  
[t.skinner@ecs-electronics.com](mailto:t.skinner@ecs-electronics.com) / 07440 202 052.

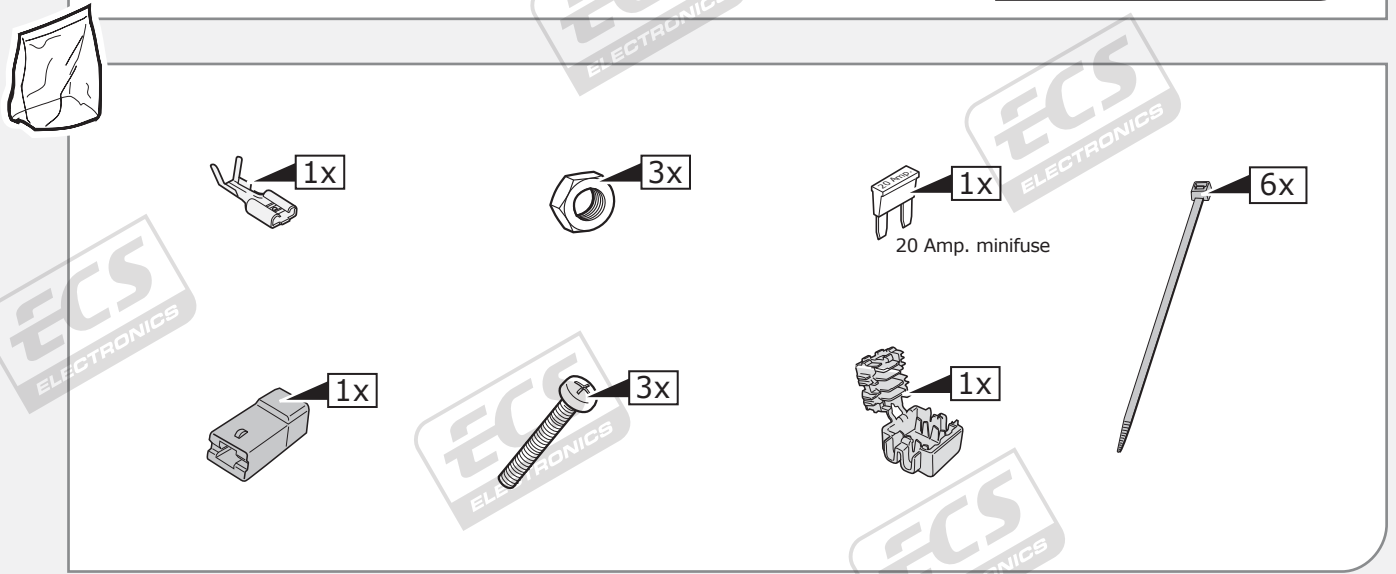
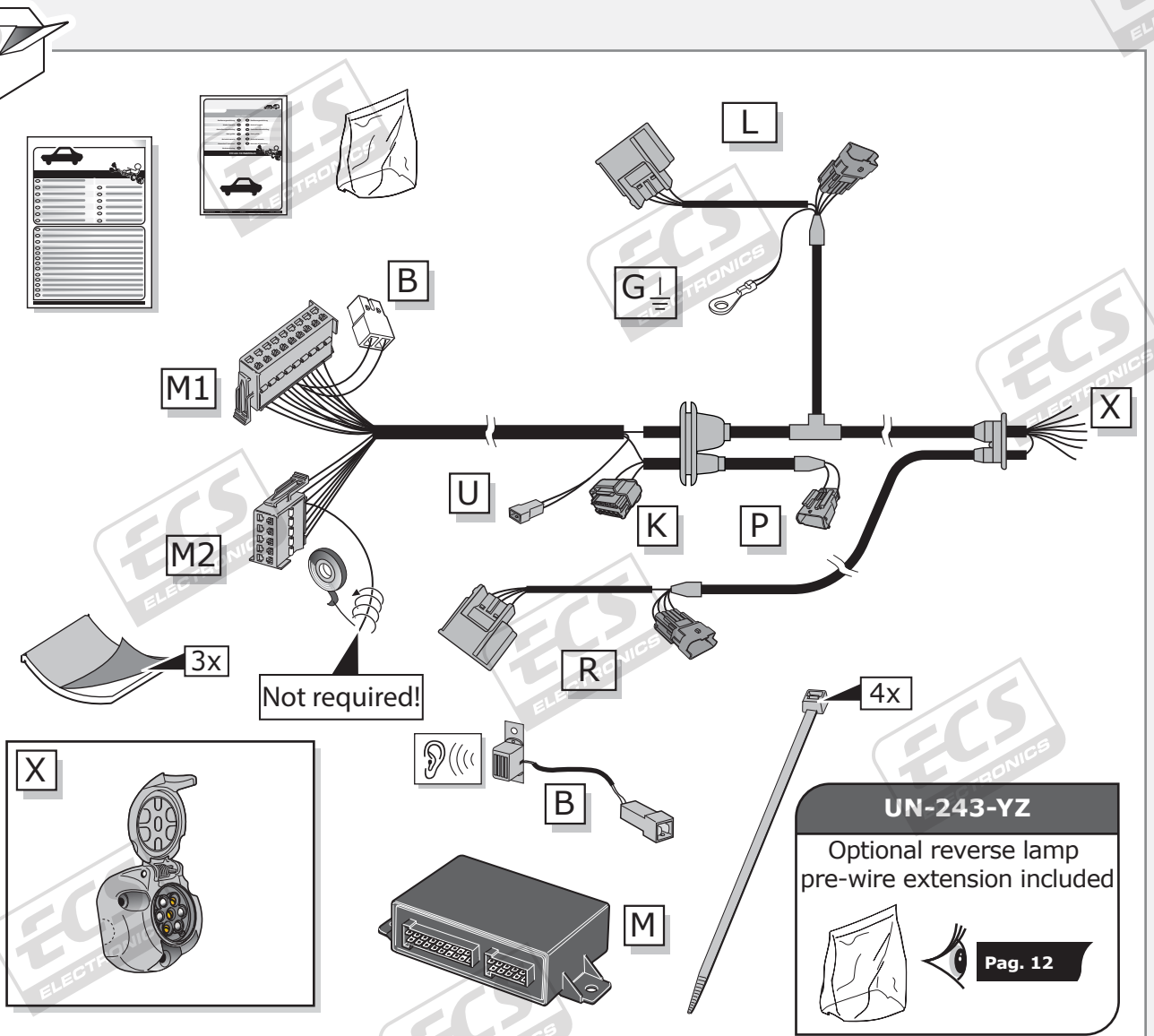
**TECHNICAL SUPPORT**

**CALL**  
**07440**  
**202**  
**052**

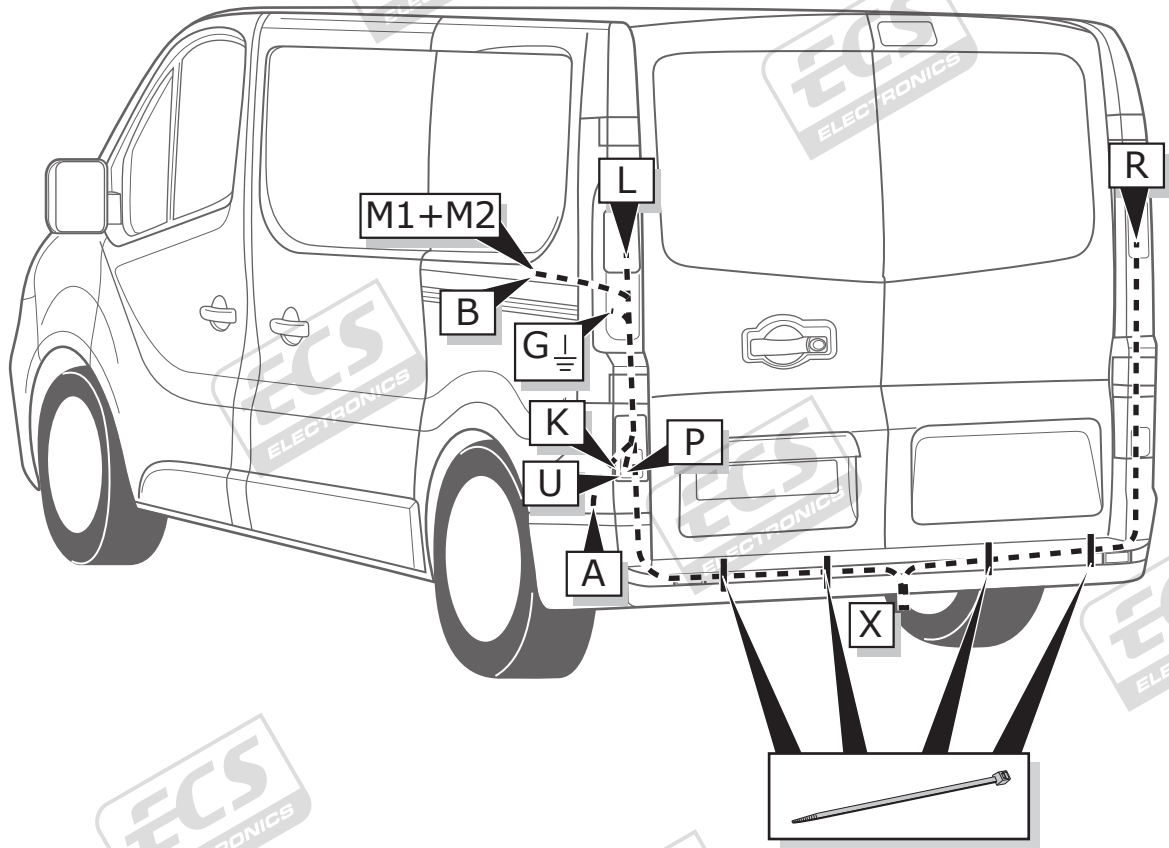
**ECS**  
ELECTRONICS

MONDAY TO FRIDAY  
08.00 - 11.00 am  
12.00 - 05.00 pm  
[t.skinner@ecs-electronics.com](mailto:t.skinner@ecs-electronics.com)  
[www.ecs-electronicsuk.co.uk](http://www.ecs-electronicsuk.co.uk)

# Part list



**ROUTING**

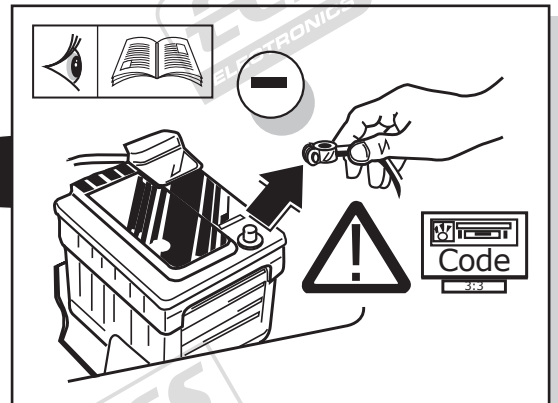
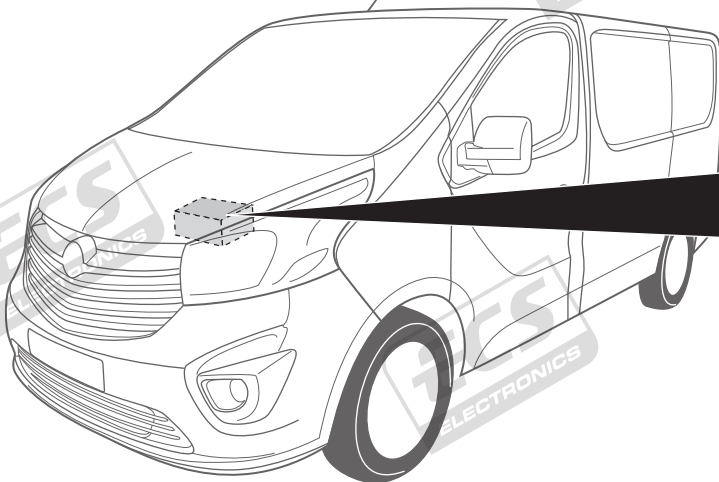


**INFO**

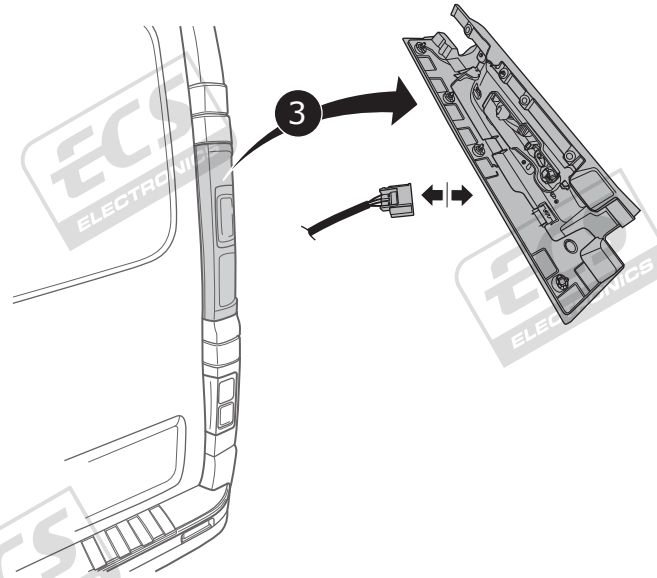
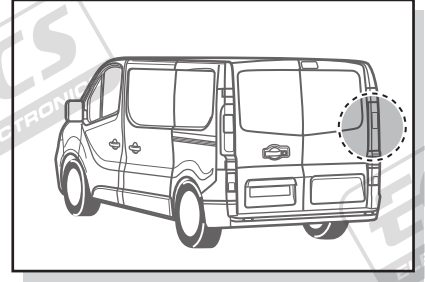
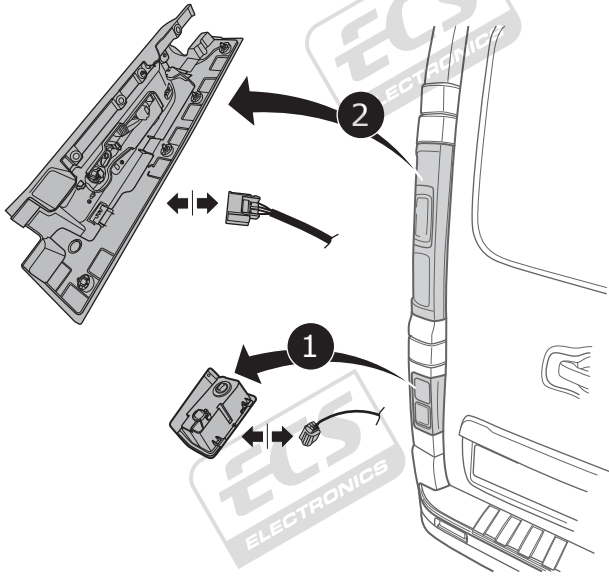
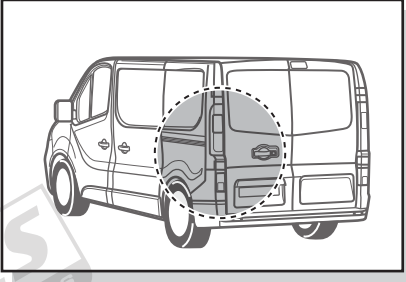


See Workshop Manual

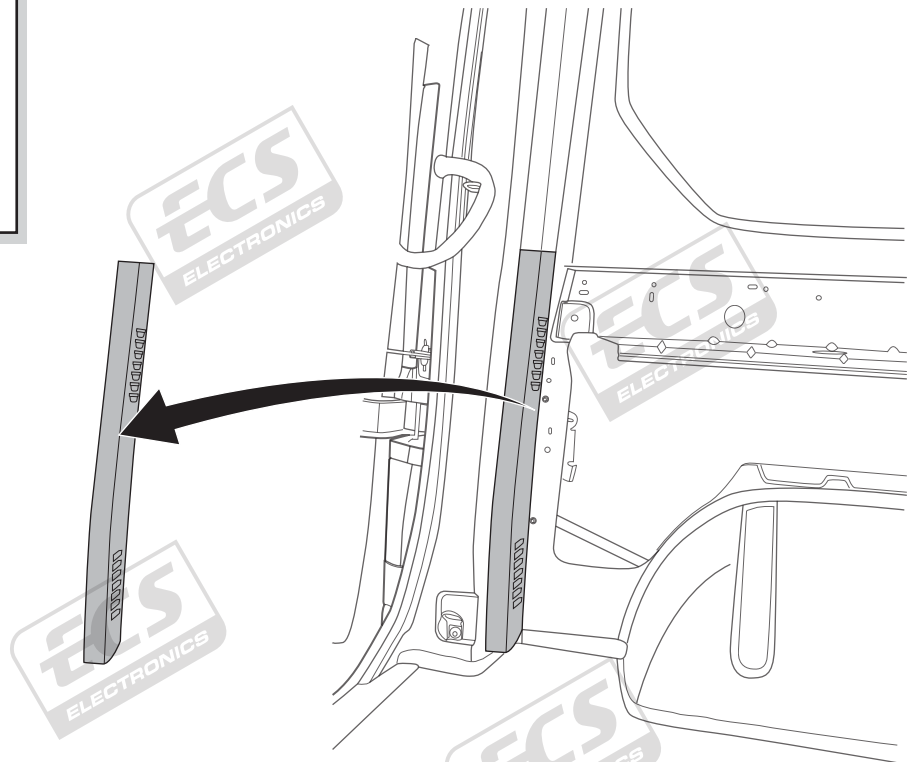
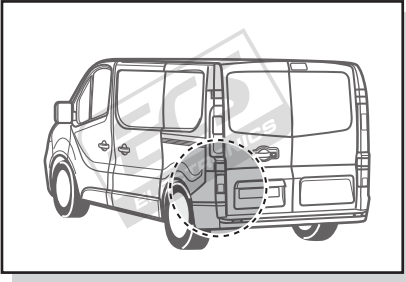
**1**



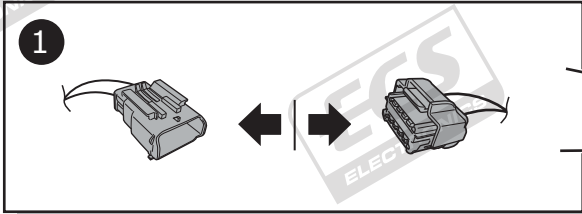
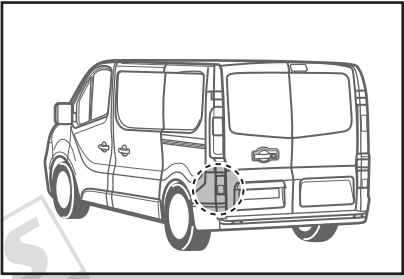
2



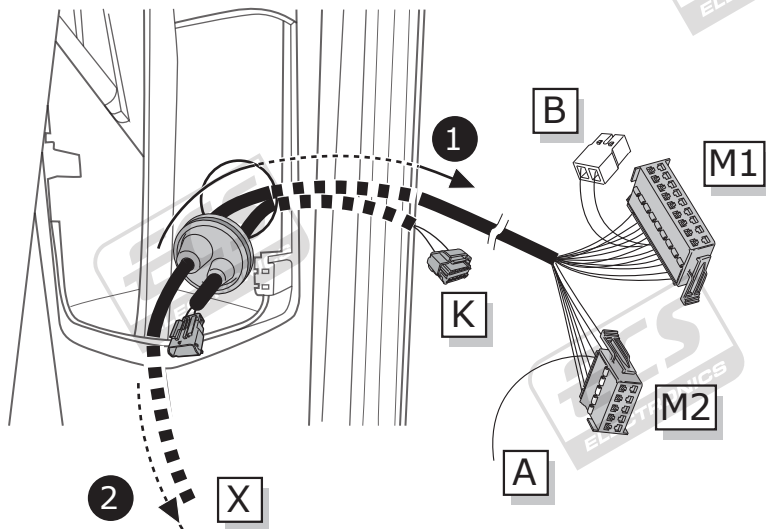
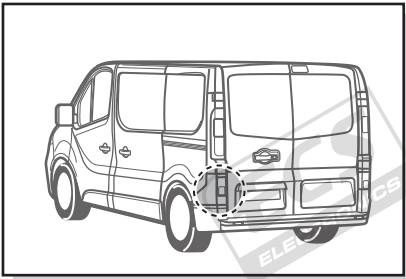
3



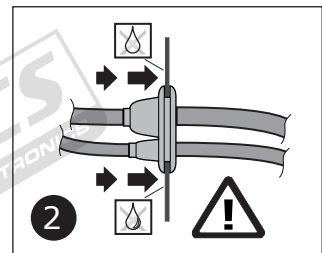
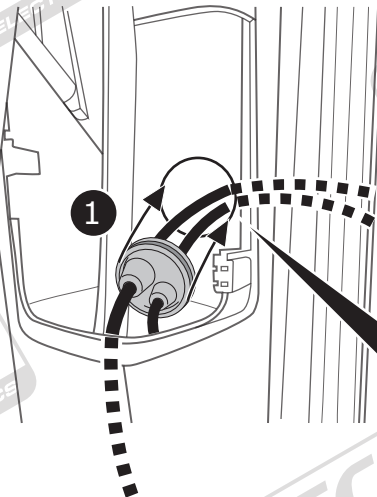
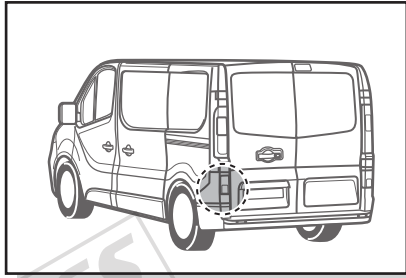
4



5

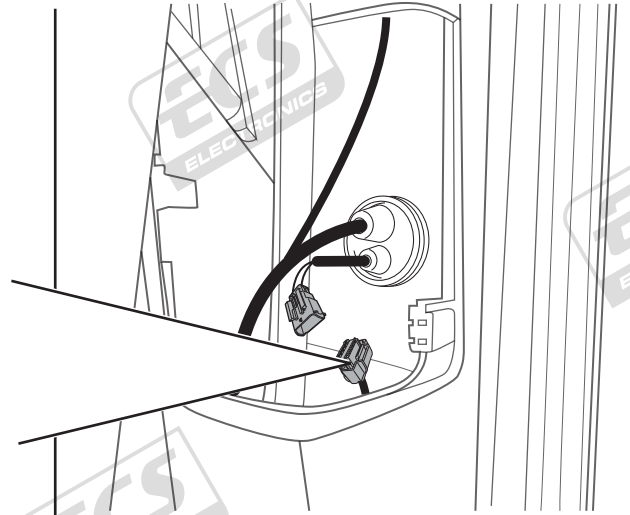
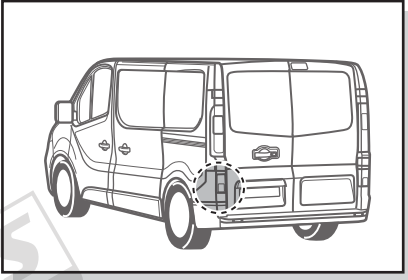


6

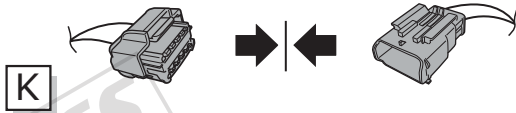
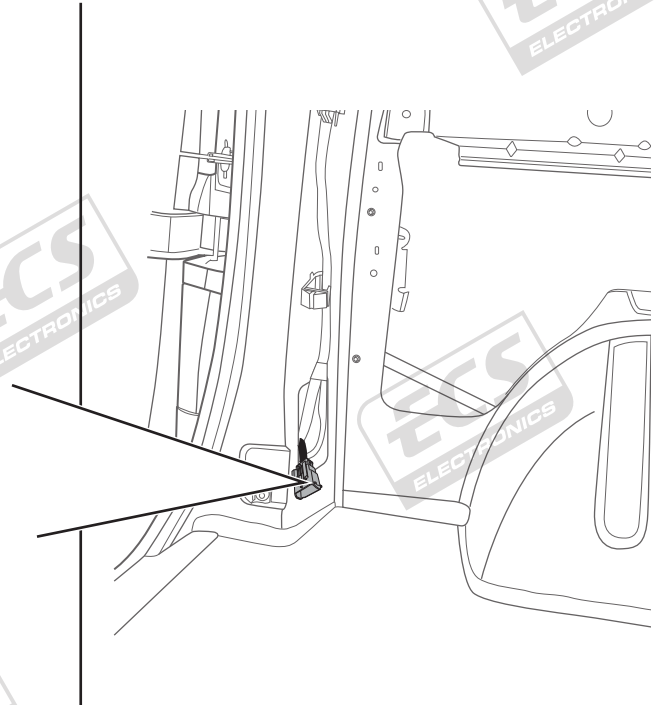
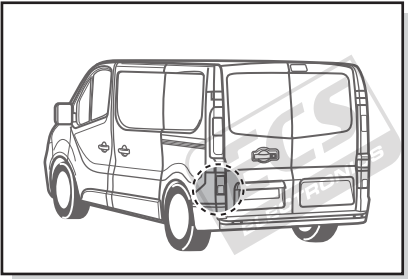




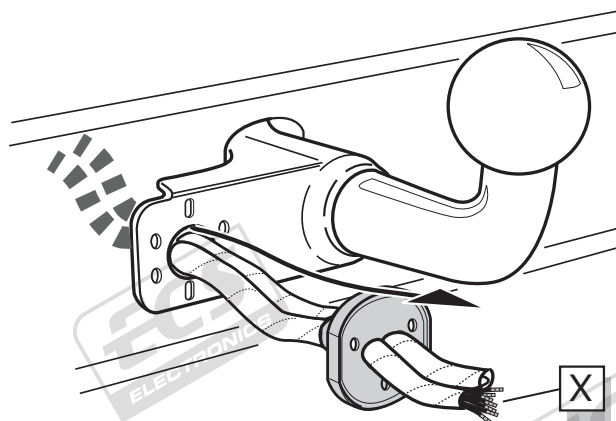
7



8



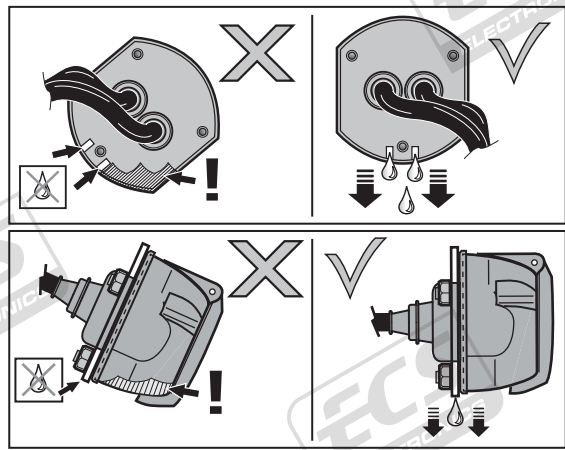
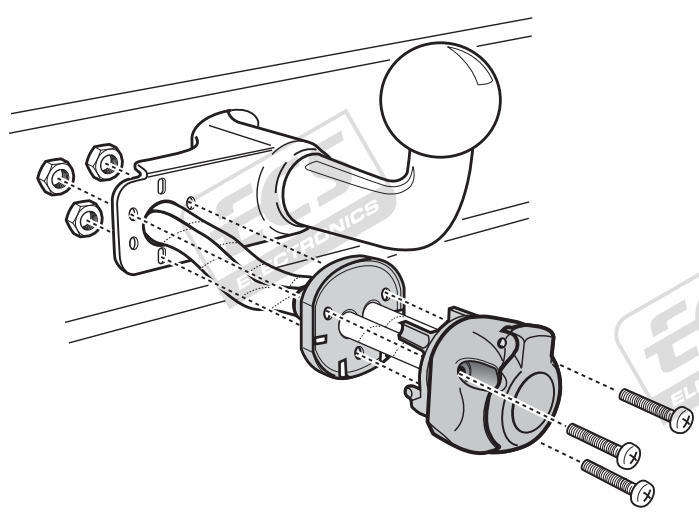
9



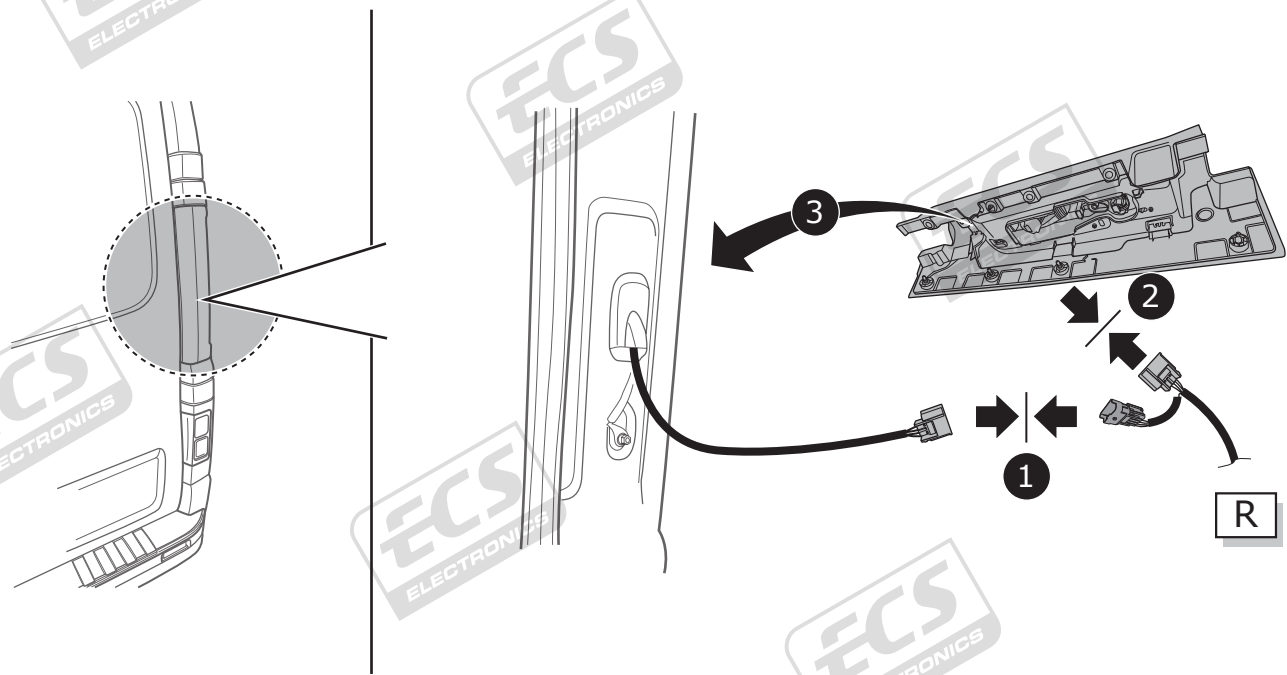
SOCKET CONNECTION



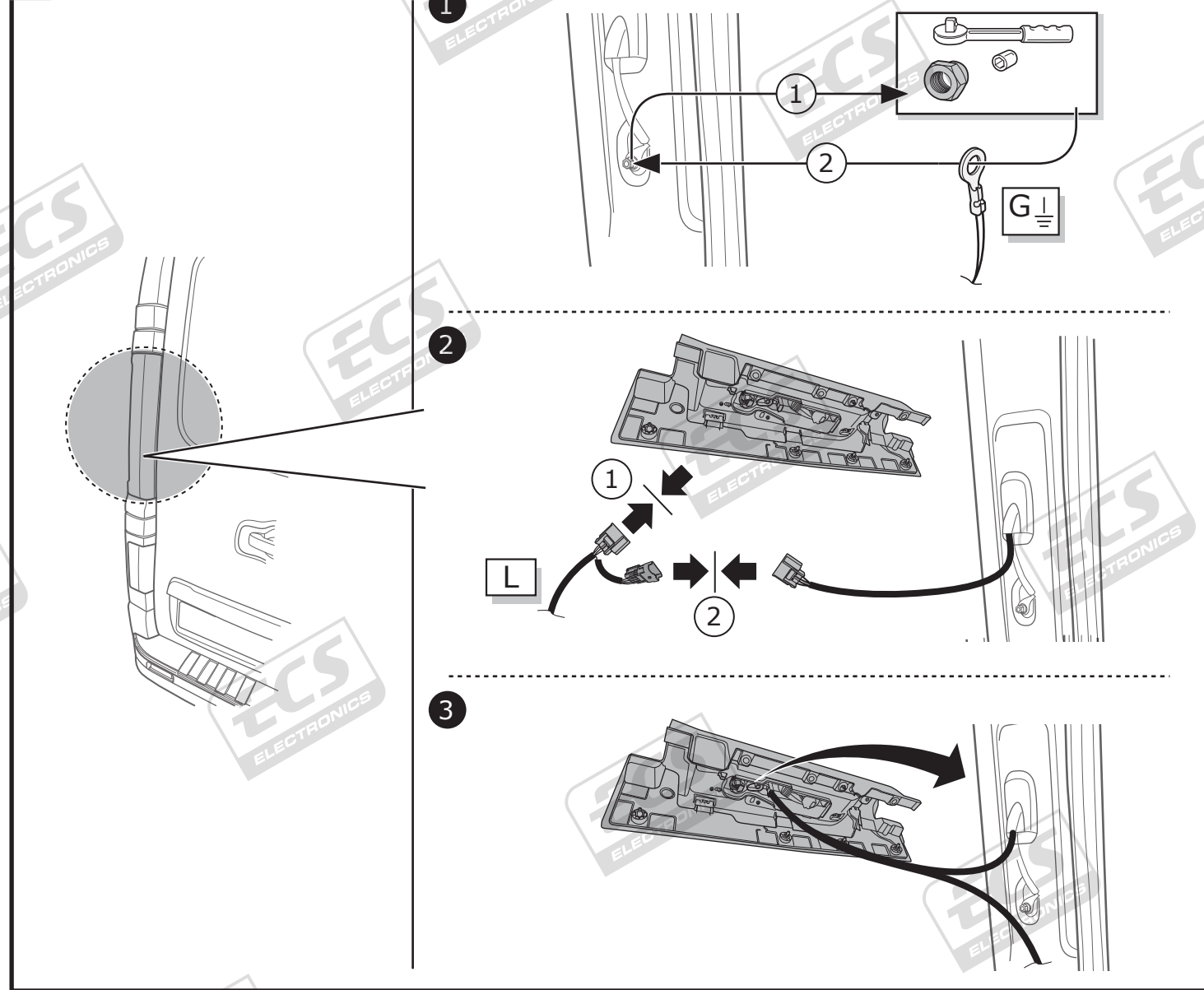
10



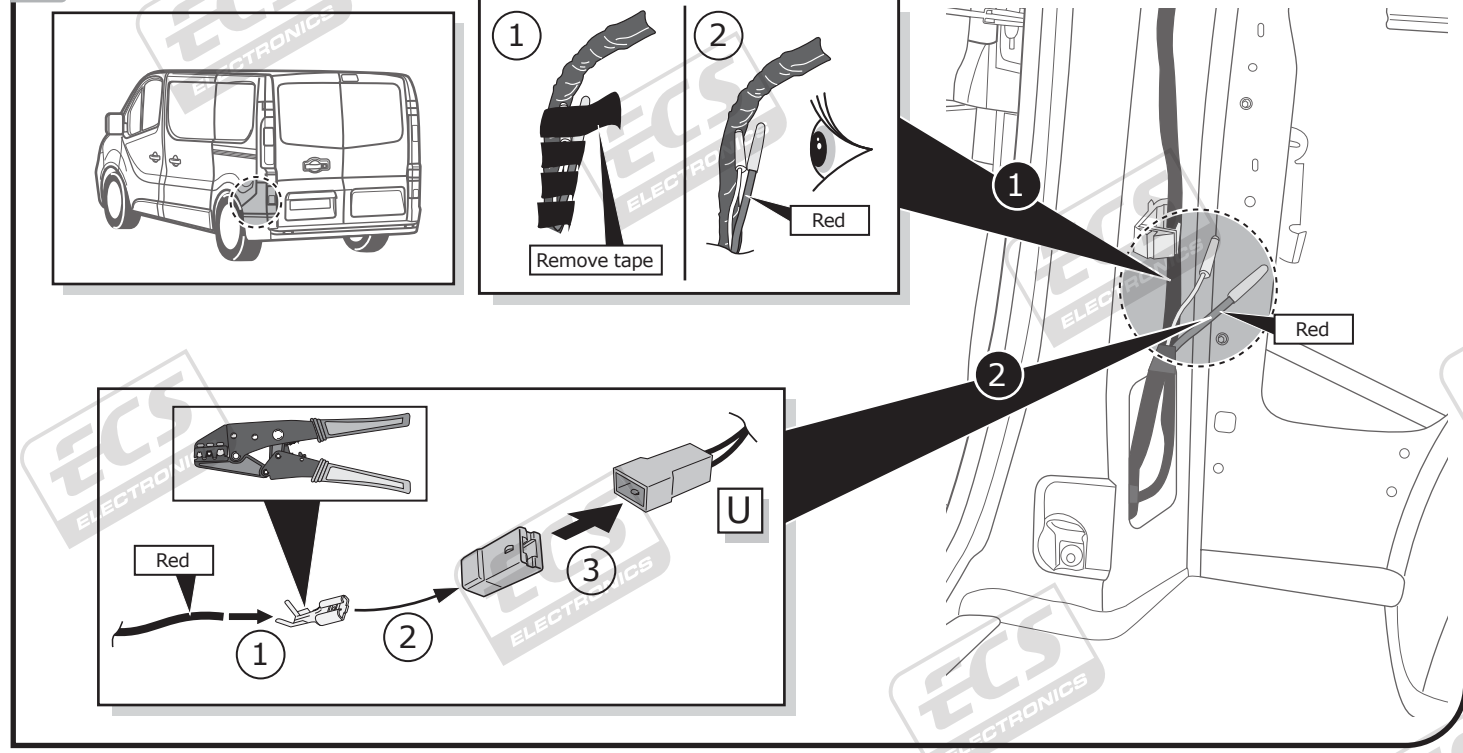
11



12

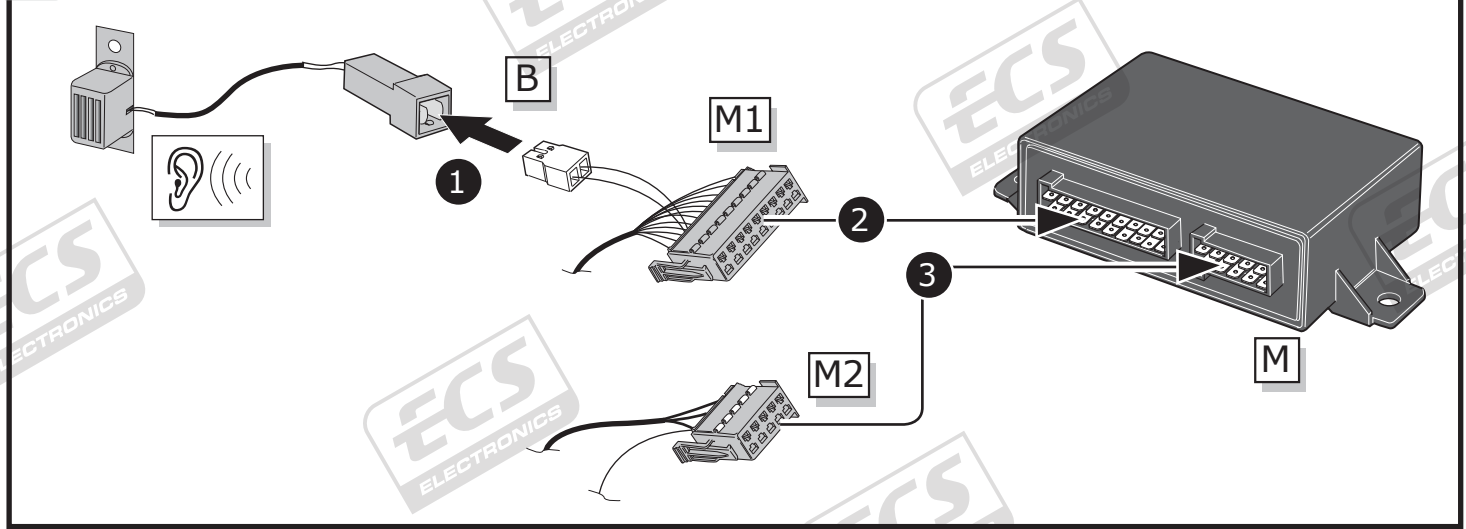


13

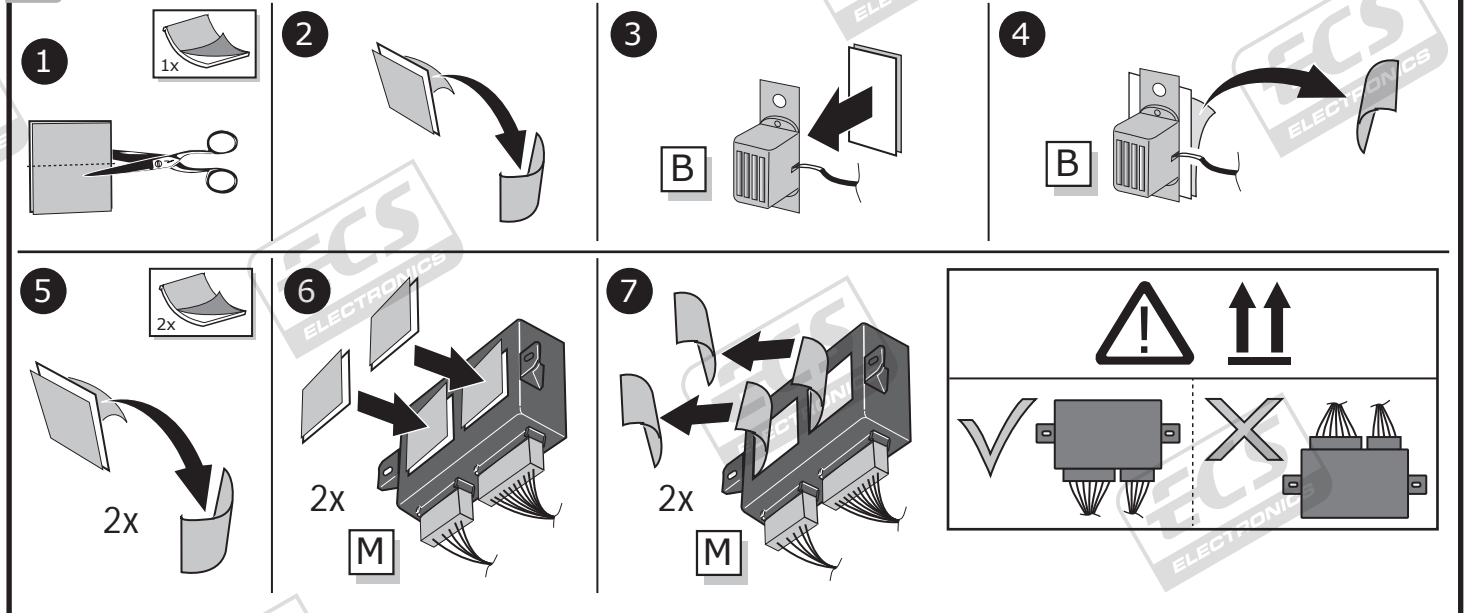




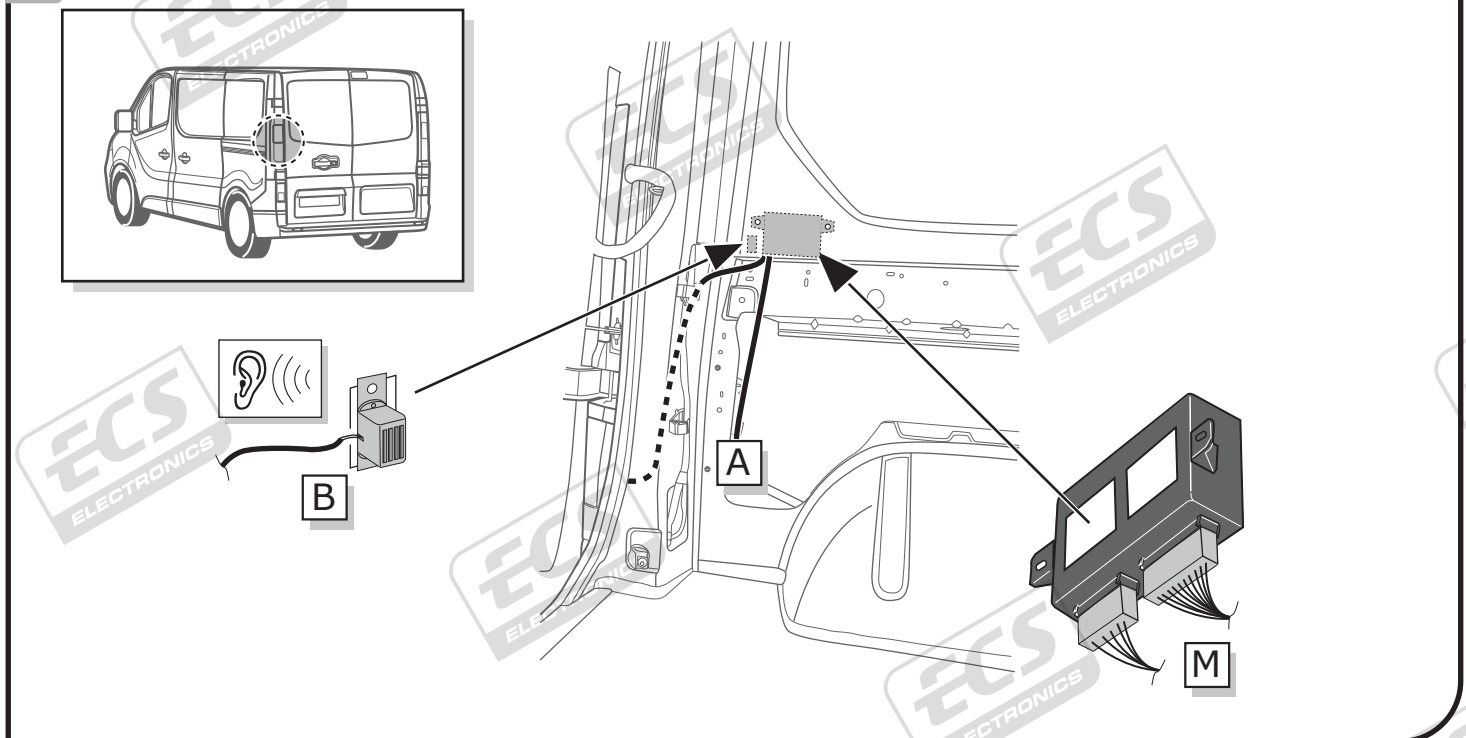
14



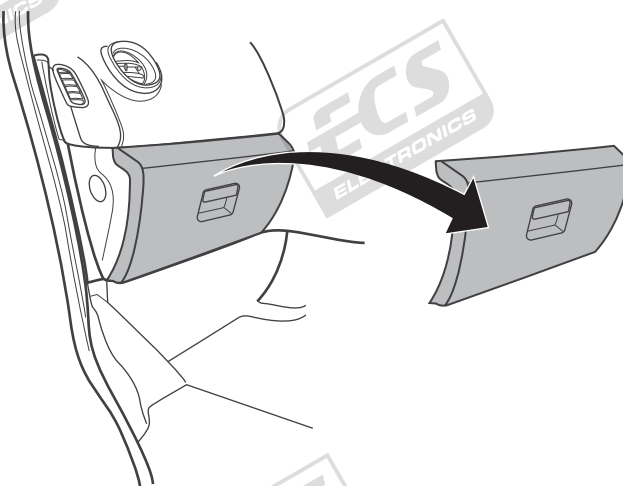
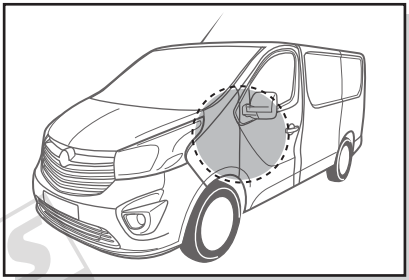
15



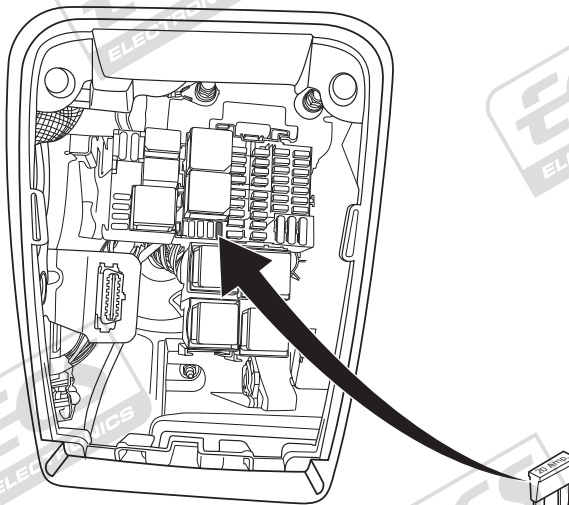
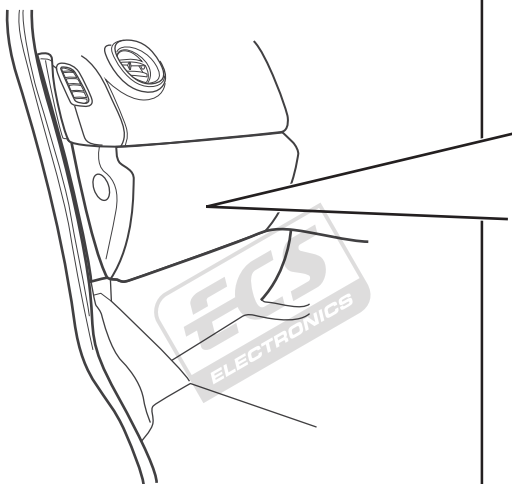
16



17

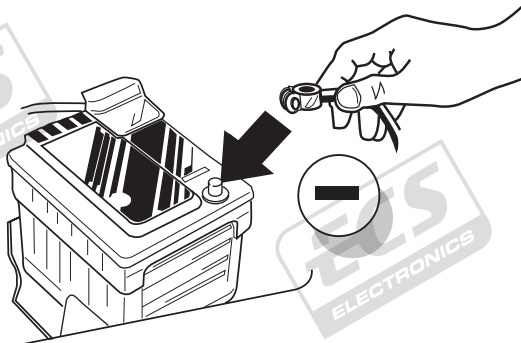


18

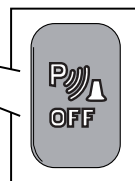
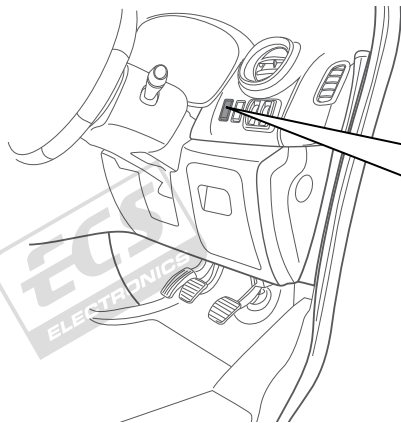
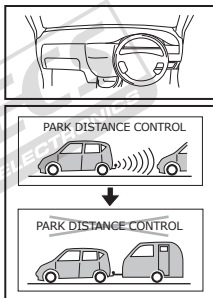


20 Amp.mini

19



20



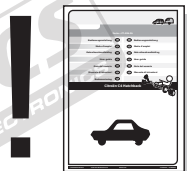
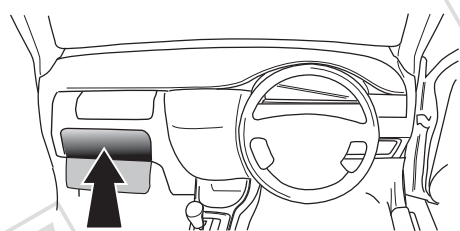
21

TEST ALL THE CIRCUITS WITH A TEST DEVICE WITH THE CORRECT POWER LOAD FOR EACH FUNCTION. A TEST DEVICE WITH LED'S CANNOT BE USED FOR THIS PURPOSE.

INFO

REINSTALL TRIM.

22



**User guide**



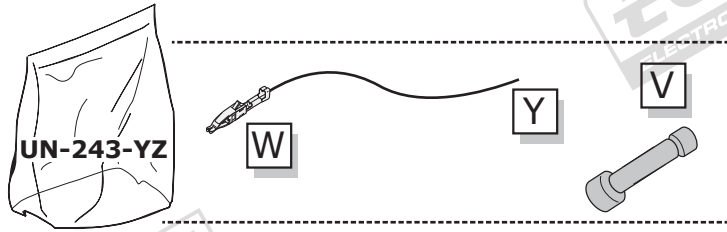
INFO

SOCKET CONNECTION

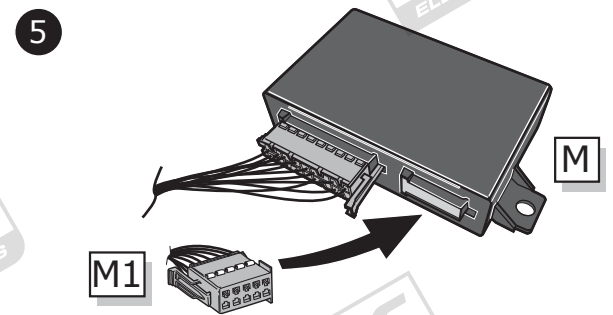
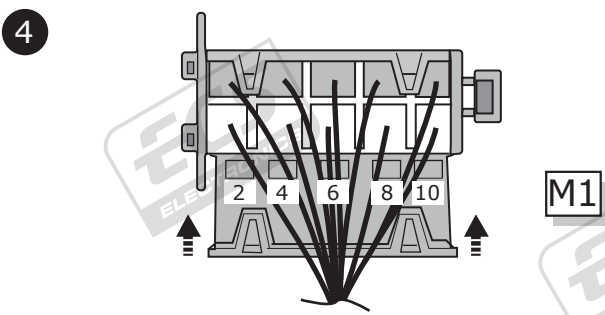
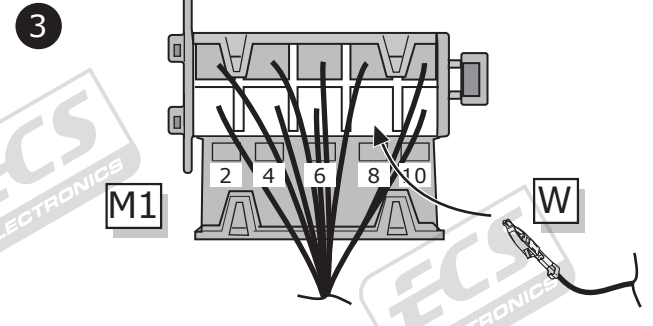
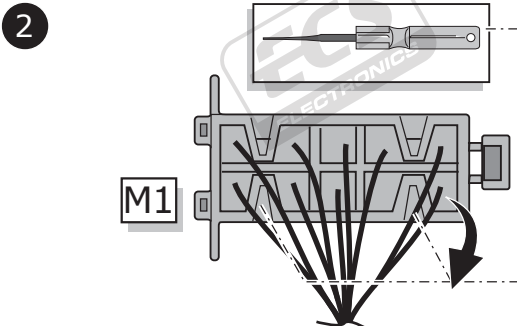
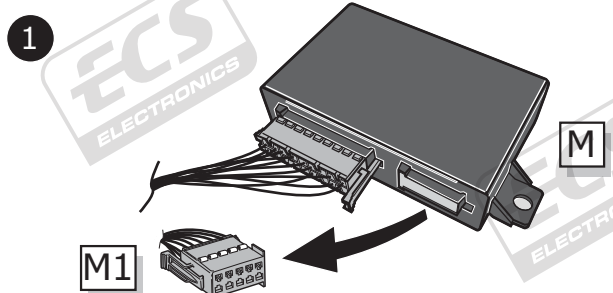
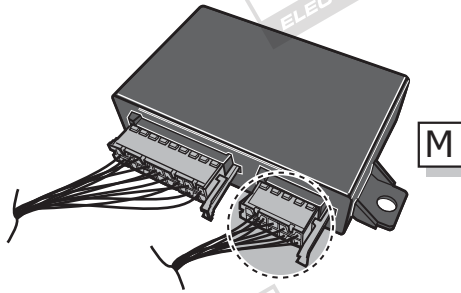
DIN/ISO 1724	←	🚗	⏏ 1-7	→	☀	⊘ STOP	☀
	1/L	2	3/31	4/R	5/58-R	6/54	7/58-L
Pmax	21W	2x21W		21W	52W	3x21W	52W
Colour	Yellow	Blue	White	Green	Brown	Red	Black

# UN-243-YZ Reverse lamp pre-wire extension

⚠ MAX = 21W



## A



## B

⚠ MAX = 21W

