



### OPEL

Meriva B 04/2010-  
Zafira Tourer 2011-  
Mokka 2013-  
Mokka X 09/2016-  
Cascada 2013-

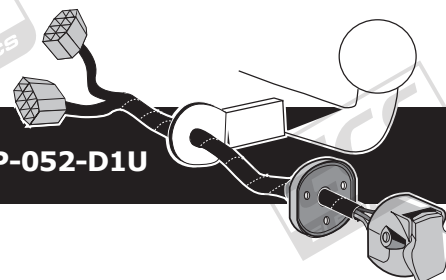
### SAAB

9-5 06/2010-

### CHEVROLET

Orlando J309 02/2011-  
Trax 2013-

Partnr.: OP-052-D1U



- Fitting instructions electric wiring kit tow bar with 13-P socket up to DIN/ISO Norm 11446.
- We would expressly point out that assembly not carried out properly by a competent installer will result in cancellation of any right to damage compensation, in particular those arising by virtue of the product liability act.
- Contents of these kits and their fitting manuals are subject to alteration without notice, please ensure that these instructions are read and fully understood before commencing installation.
- Do not overload circuits; the maximum loads per connection are detailed in this manual.
- Attention! Before Installation, please read this manual carefully and inform your customer to consult the vehicle owners manual to check for any vehicle modifications required before towing.
- In the event of functional problems, troubleshooting must be limited to about 0.5 hours, contact the technical support:  
t.skinner@ecs-electronics.com / 07440 202 052.

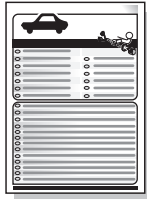
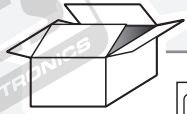
**TECHNICAL SUPPORT**

**CALL**  
**07440**  
**202**  
**052**

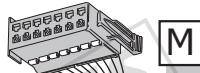
**ECS ELECTRONICS**

MONDAY TO FRIDAY  
08.00 - 11.00 am  
12.00 - 05.00 pm  
t.skinner@ecs-electronics.com  
www.ecs-electronicsuk.co.uk

# Part list



L1



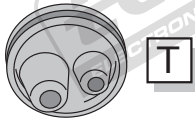
M

L3

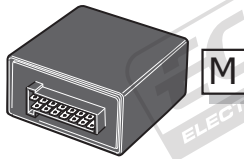
L2

G

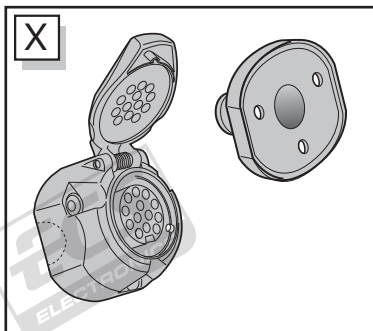
\* OPTION  
+30/+15



T

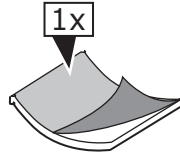


M

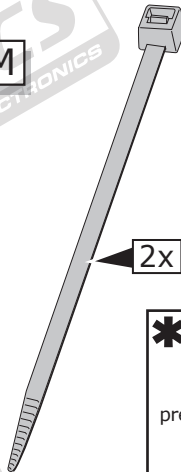


X

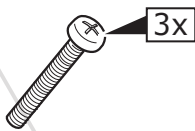
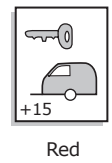
1x



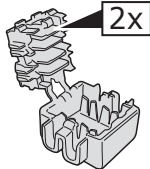
2x



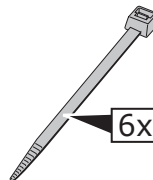
\* OPTION  
+30/+15  
preparation for



3x



2x



6x



1x



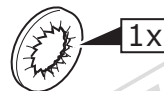
3x



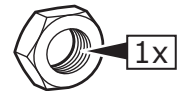
A

20 Amp. minifuse

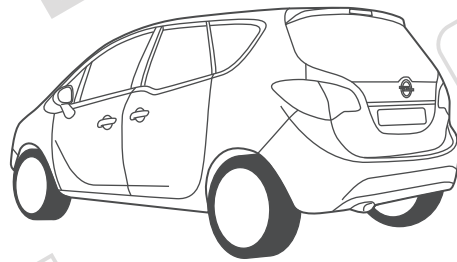
1x



1x

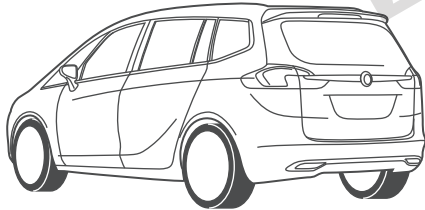


1x



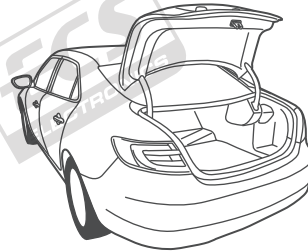
**Meriva B**

Pag. 4  
-  
Pag. 7



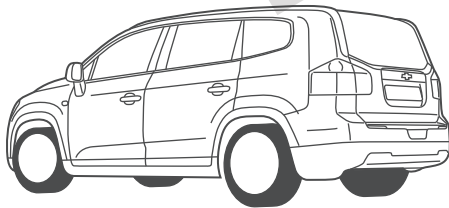
**Zafira**

Pag. 8  
-  
Pag. 11



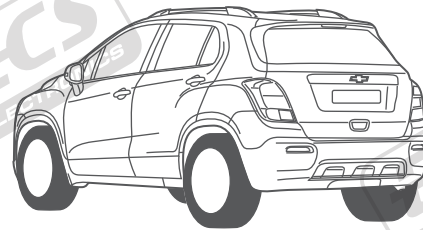
**Saab 9-5**

Pag. 12  
-  
Pag. 15



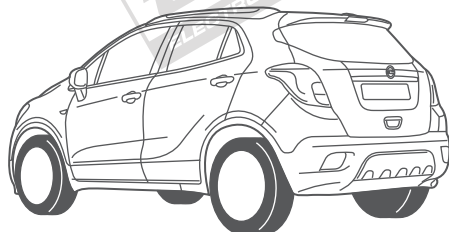
**Orlando**

Pag. 16  
-  
Pag. 19



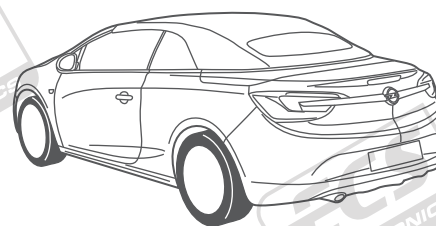
**Trax**

Pag. 20  
-  
Pag. 23



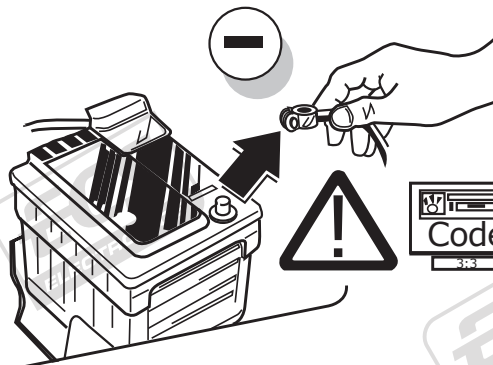
**Mokka**

Pag. 24  
-  
Pag. 30

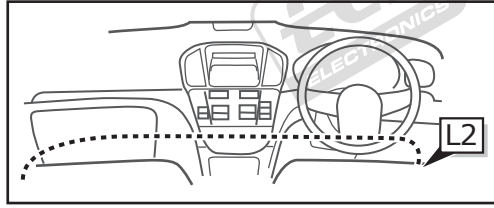
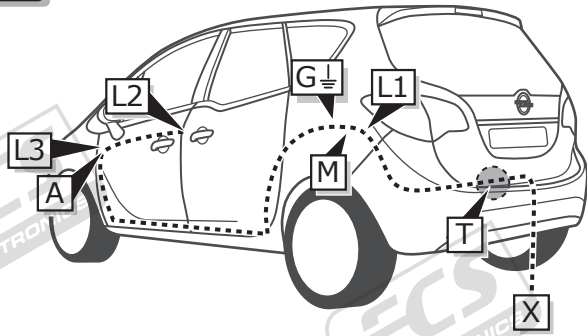


**Cascada**

Pag. 31  
-  
Pag. 34



INFO

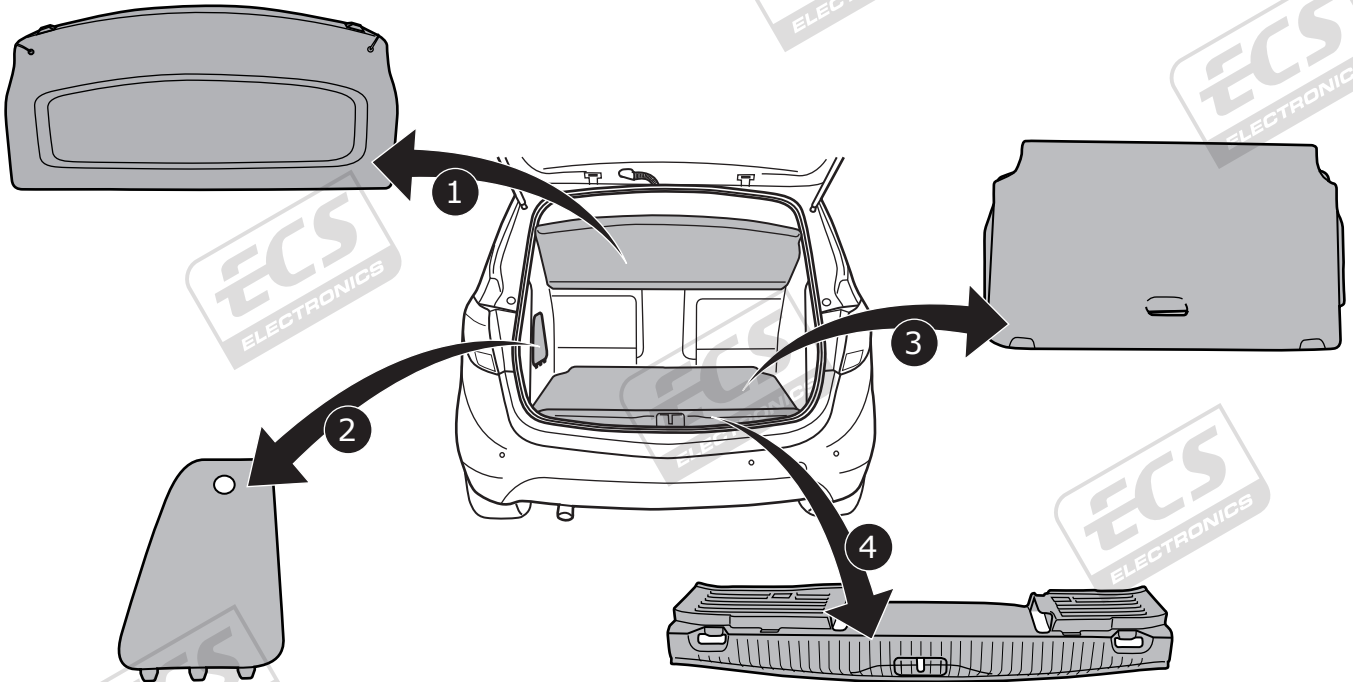


Meriva B

Pag. 4

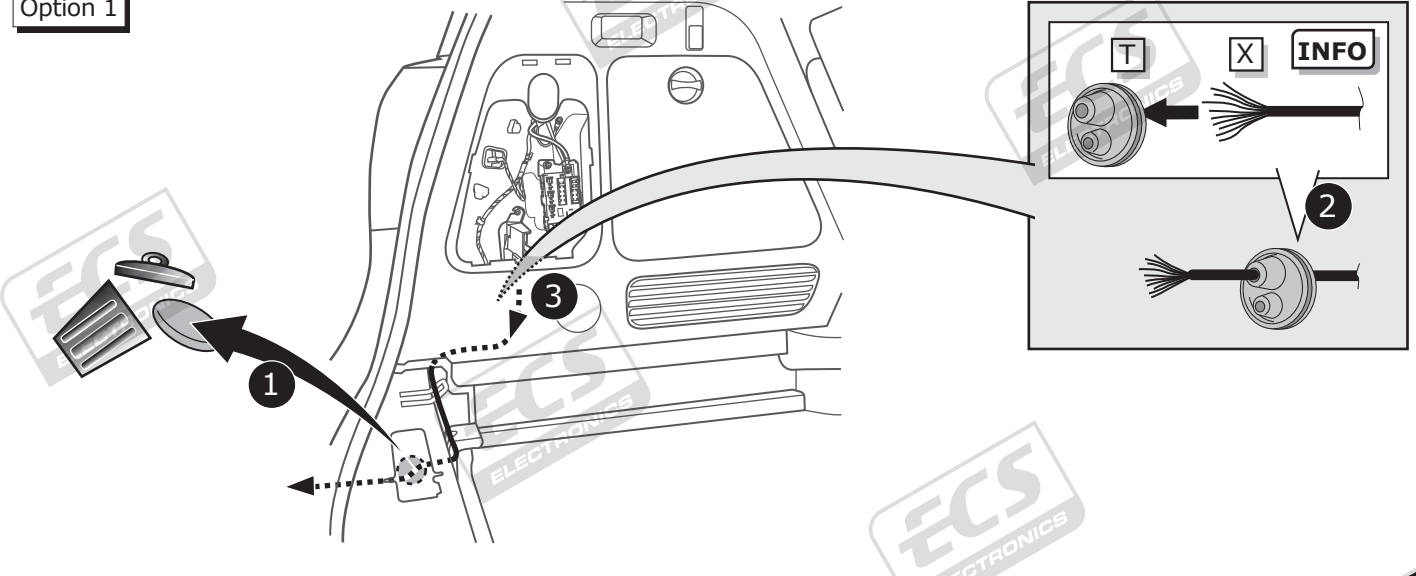
-  
Pag. 7

1



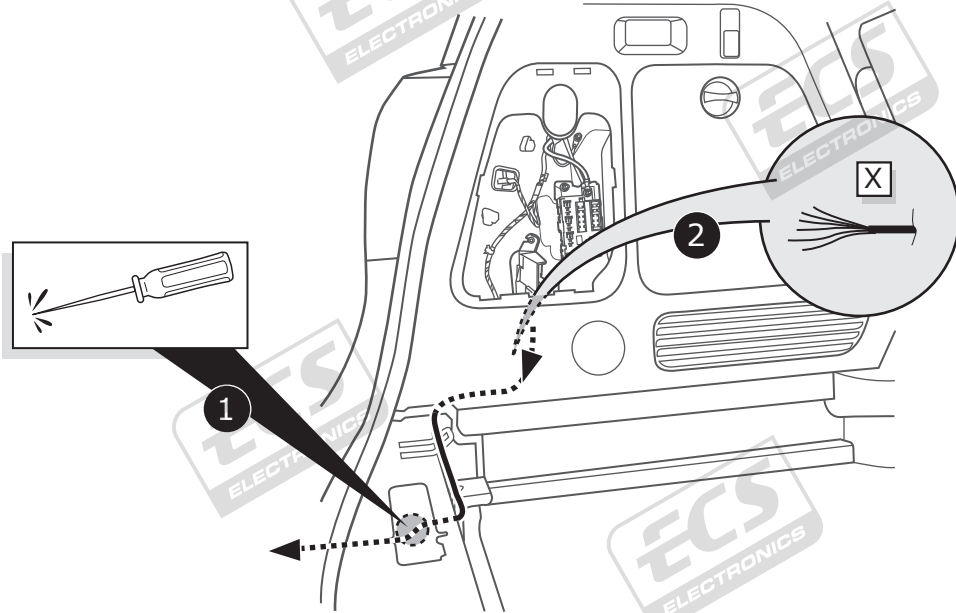
2

Option 1



3

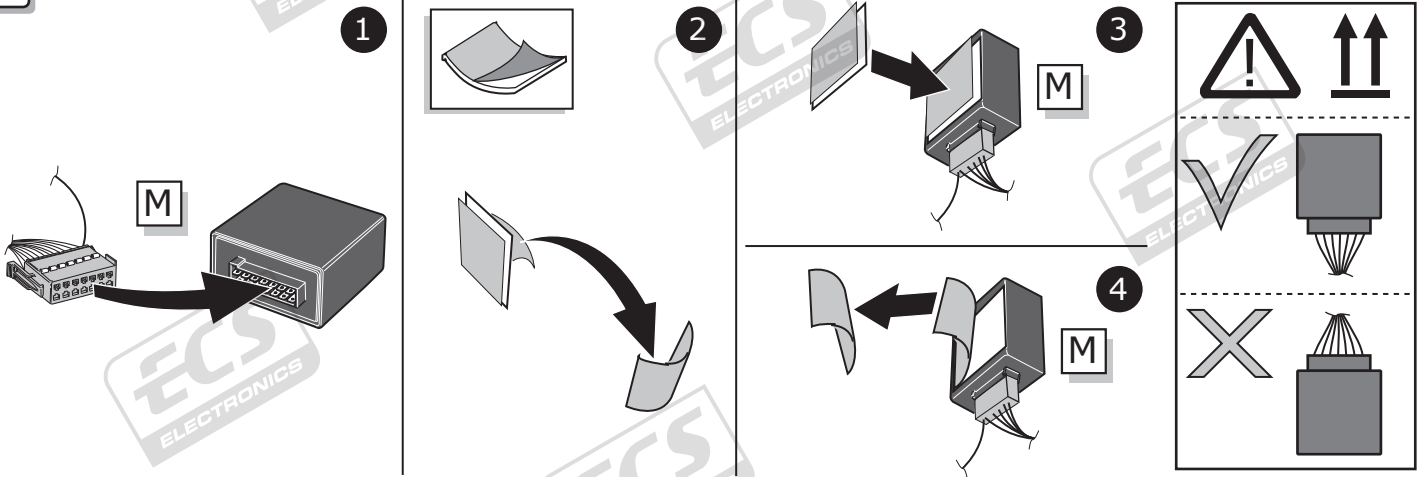
Option 2



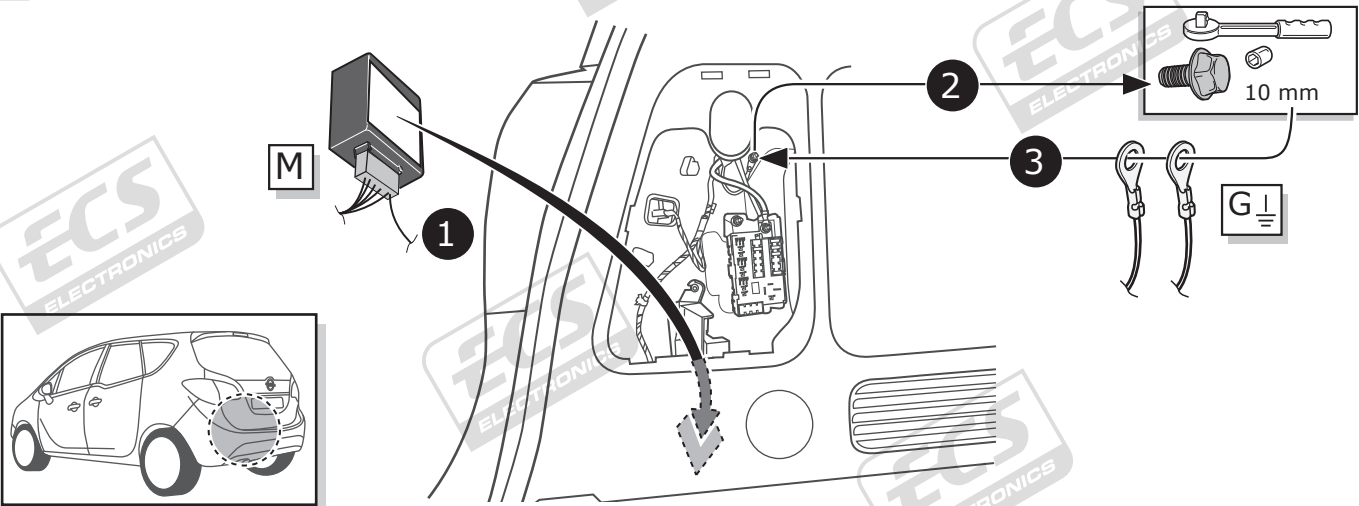
4



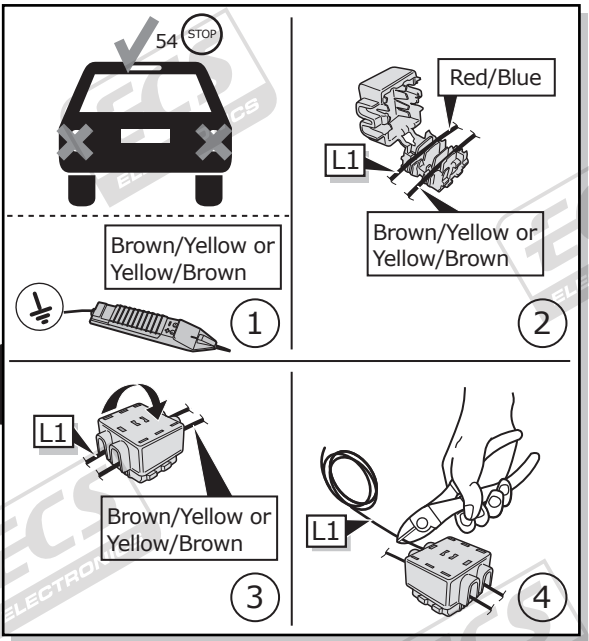
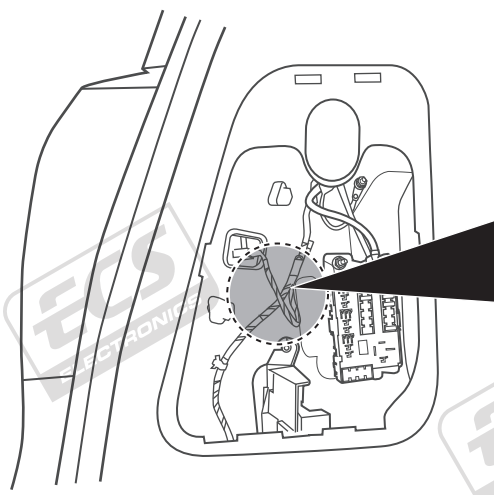
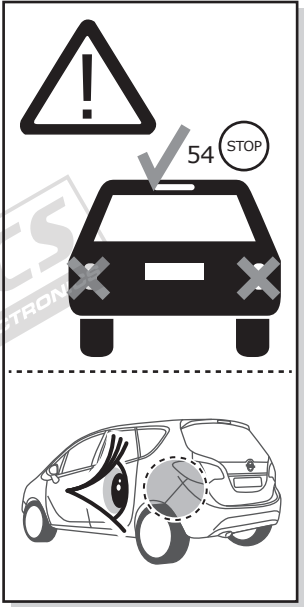
5



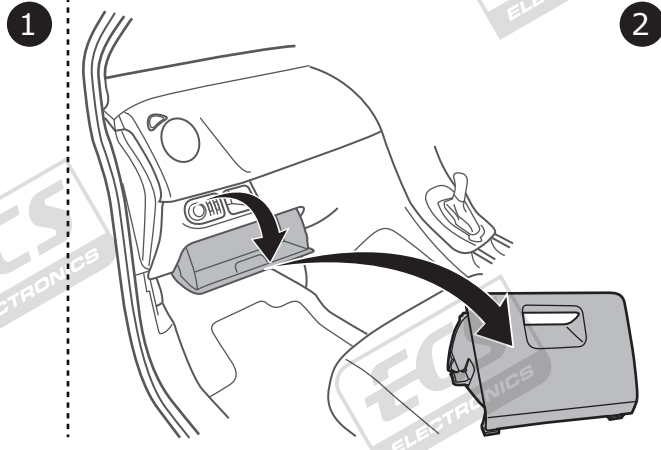
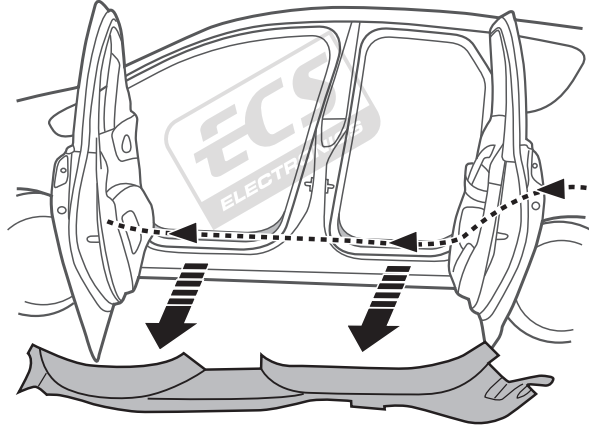
6



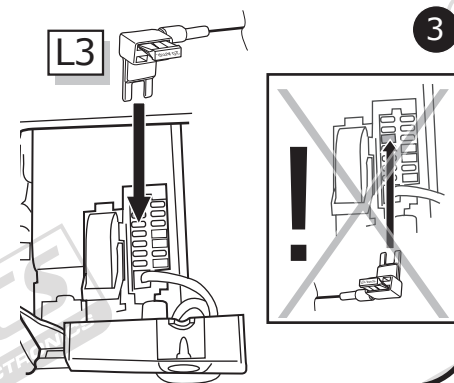
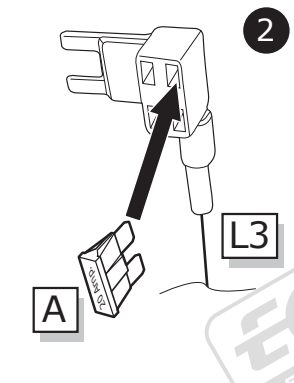
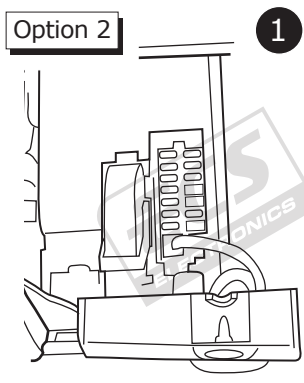
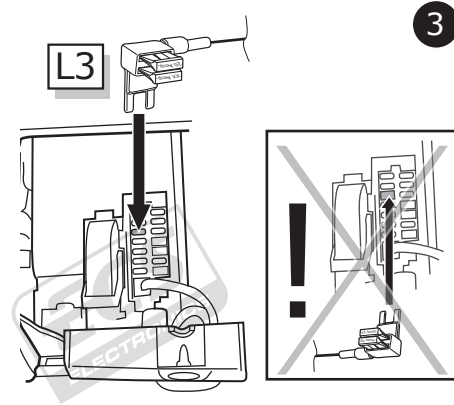
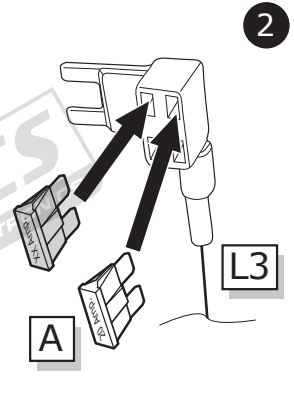
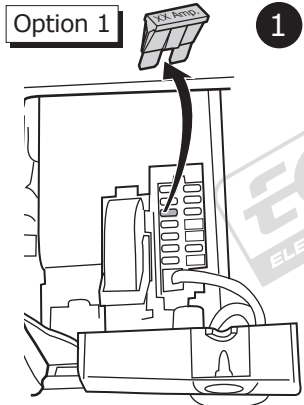
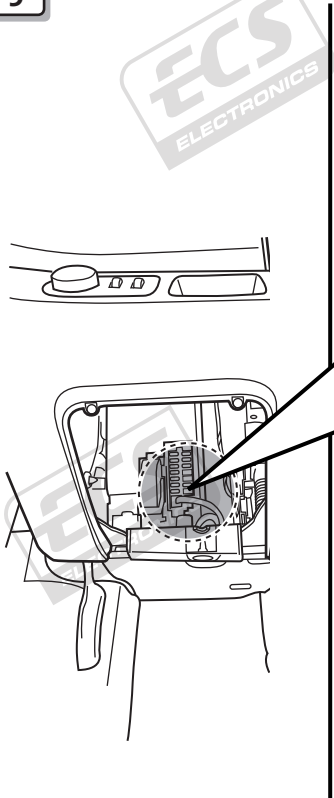
7



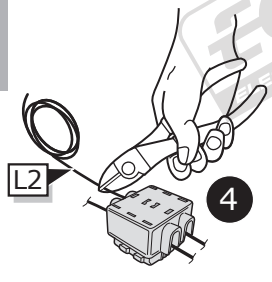
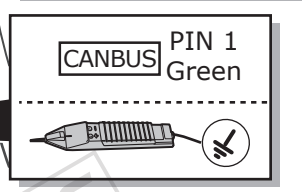
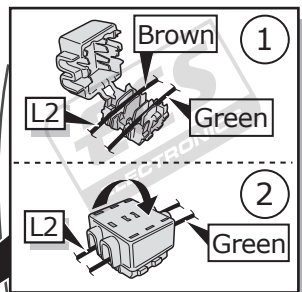
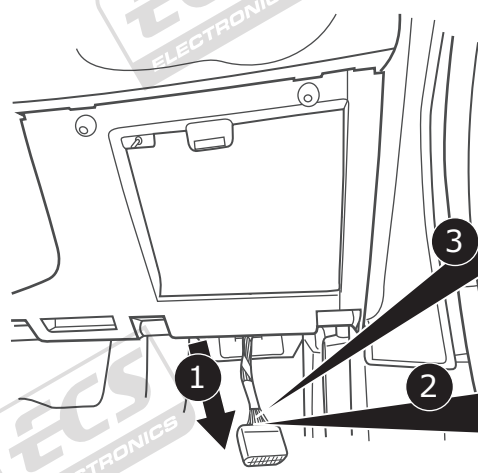
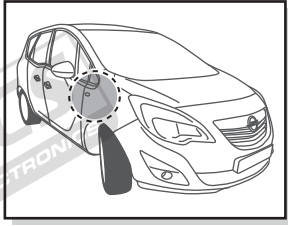
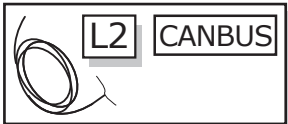
8



9



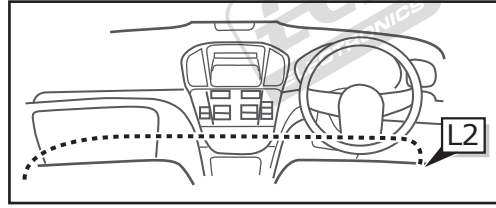
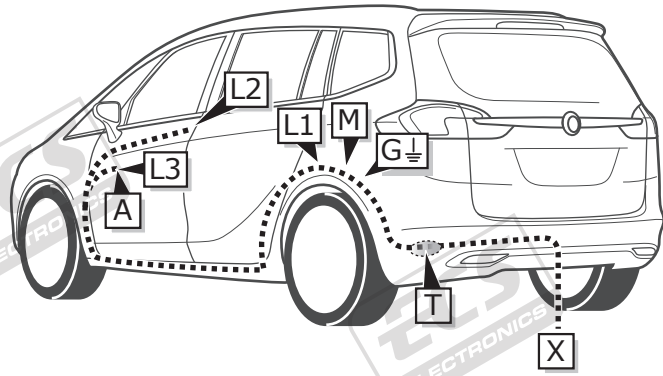
10



11



INFO

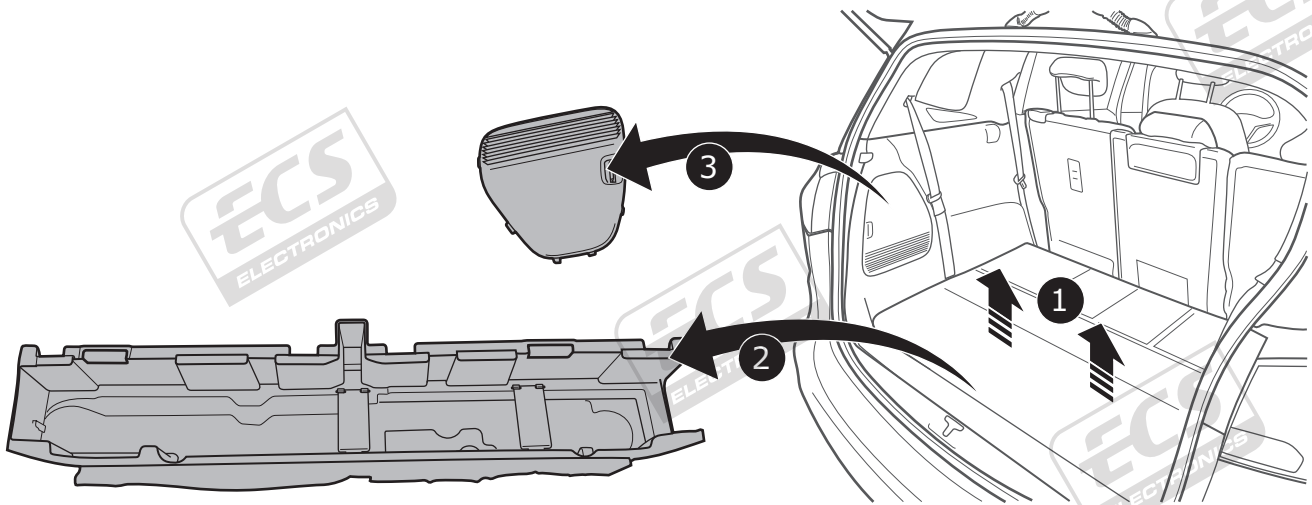


Zafira

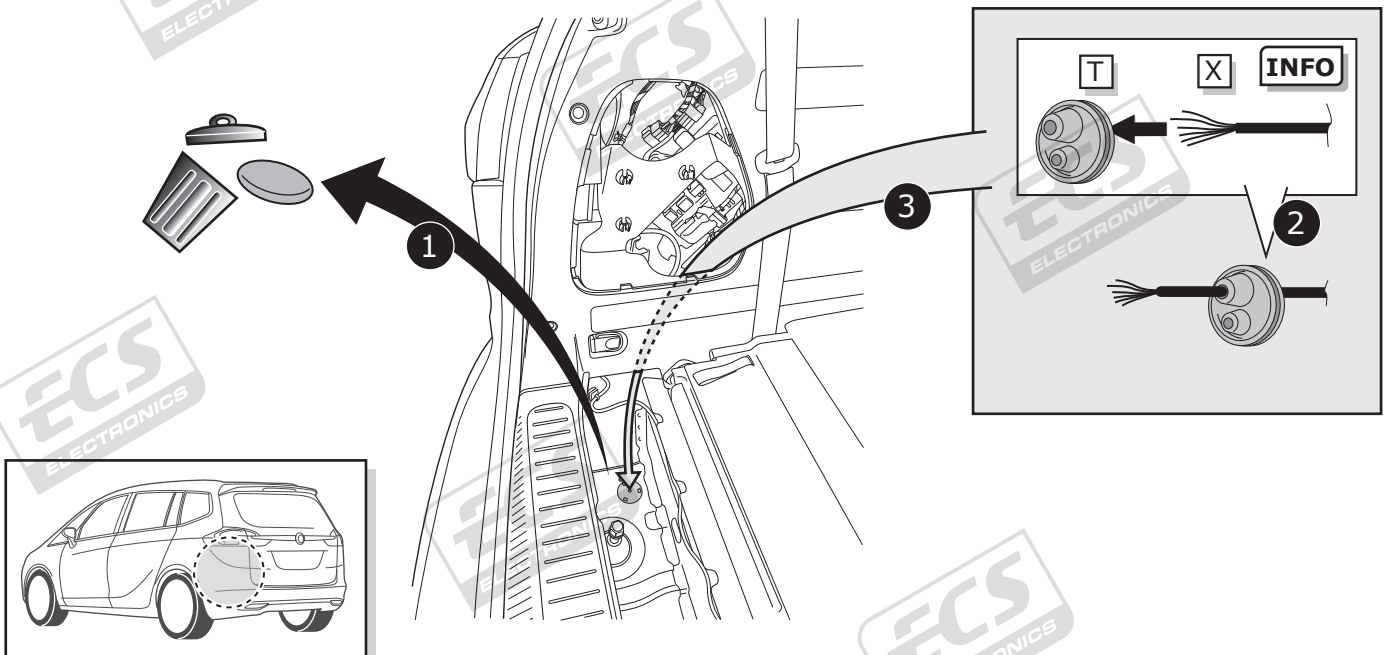
Pag. 8

Pag. 11

1



2



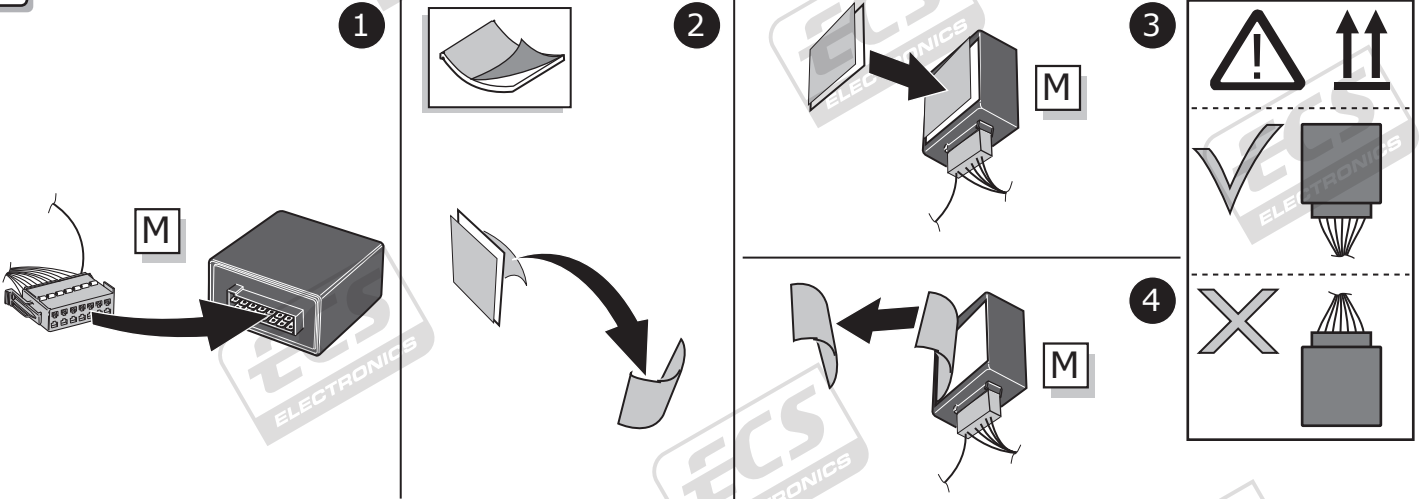


3

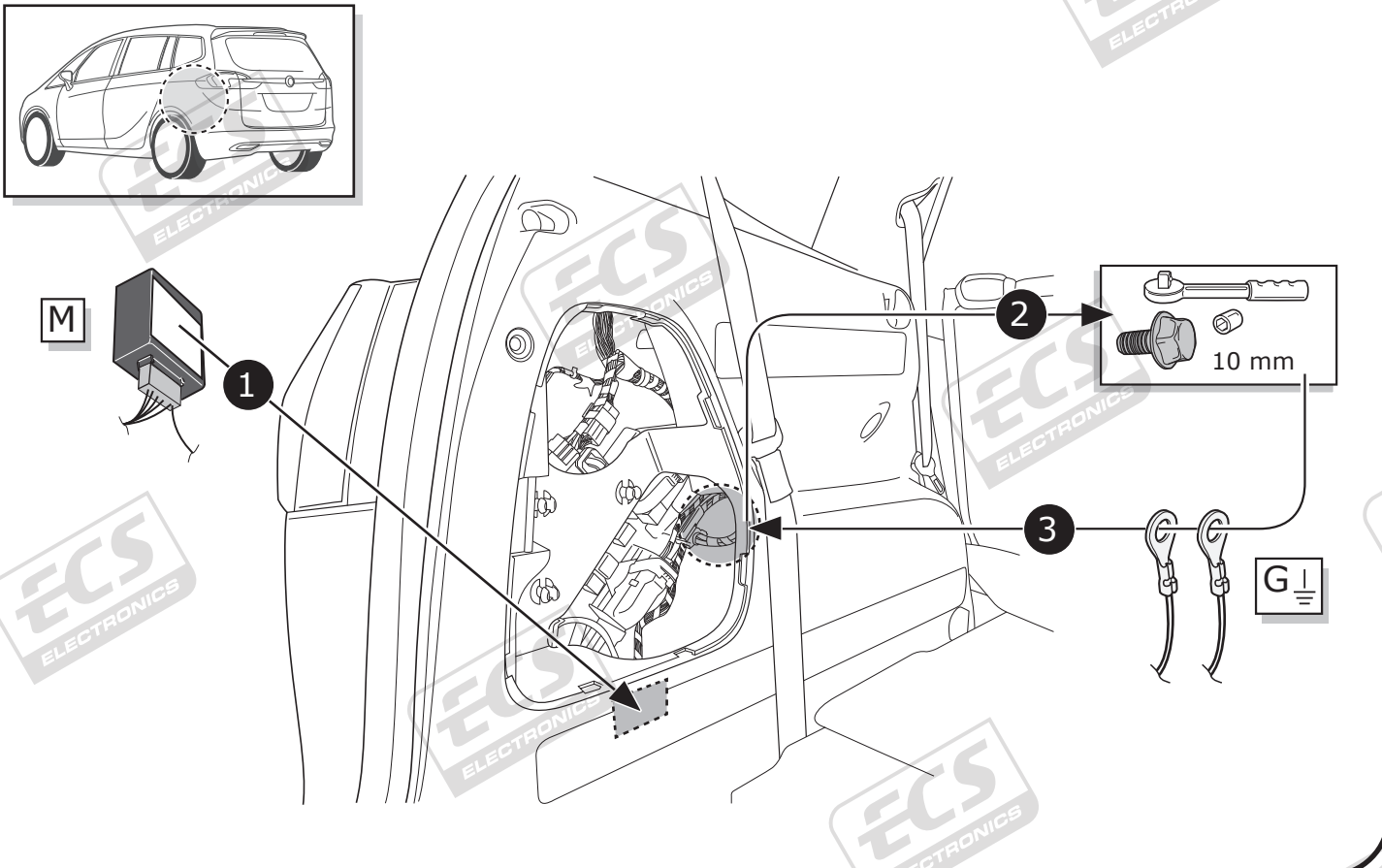


Pag. 35

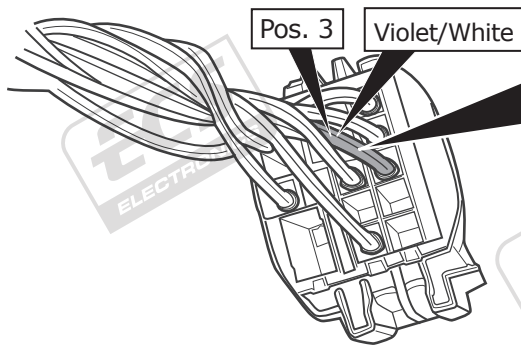
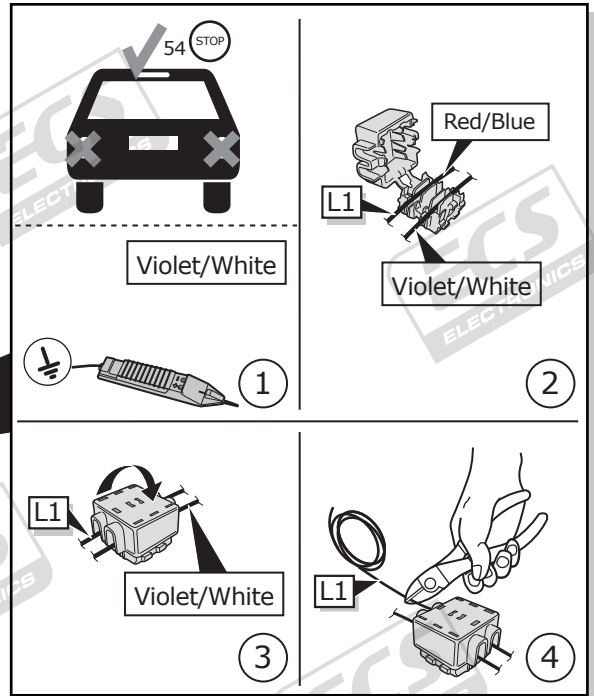
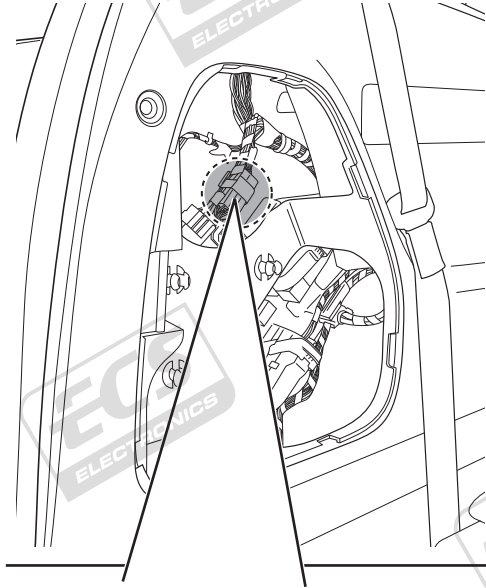
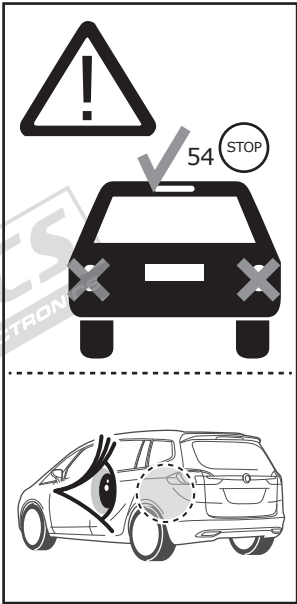
4



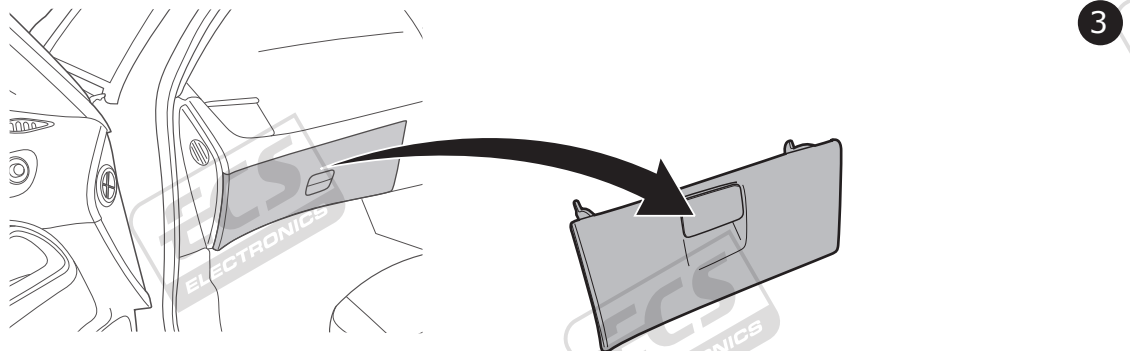
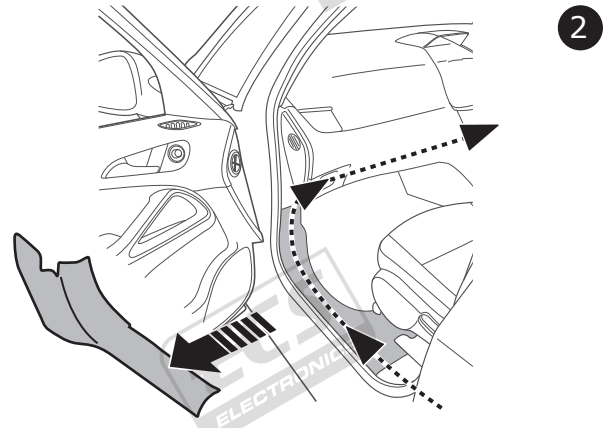
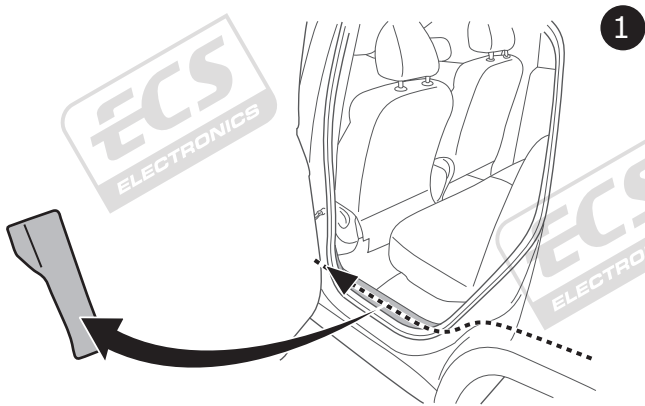
5

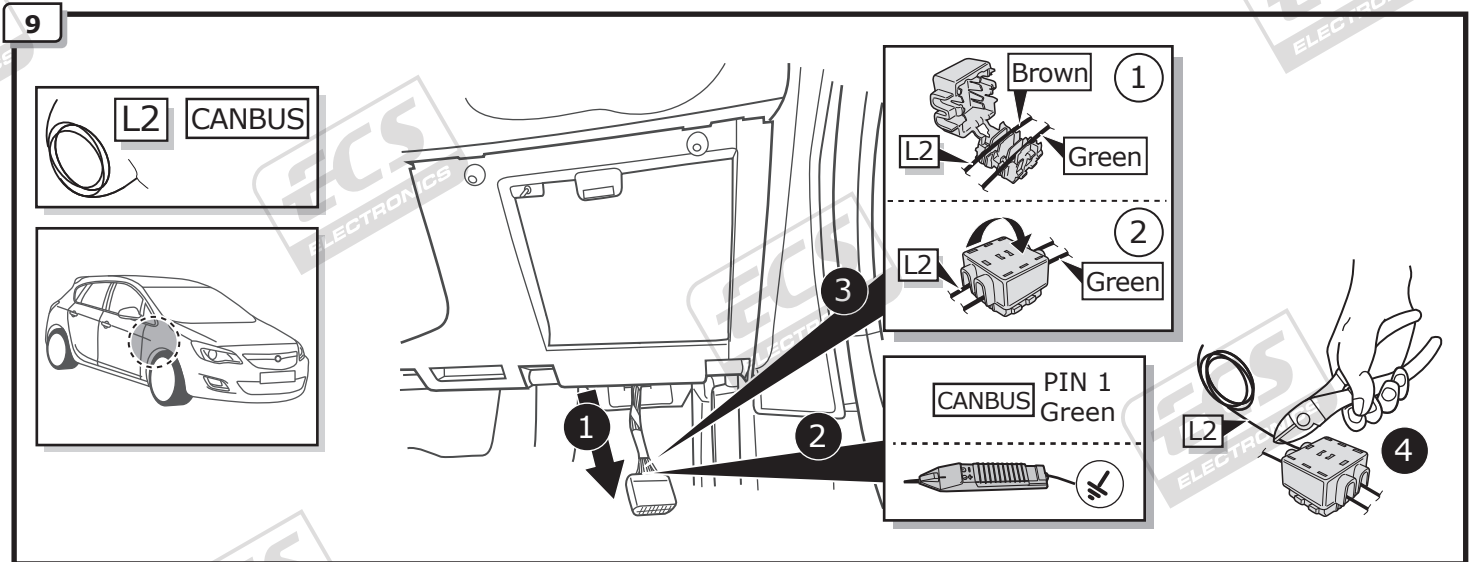
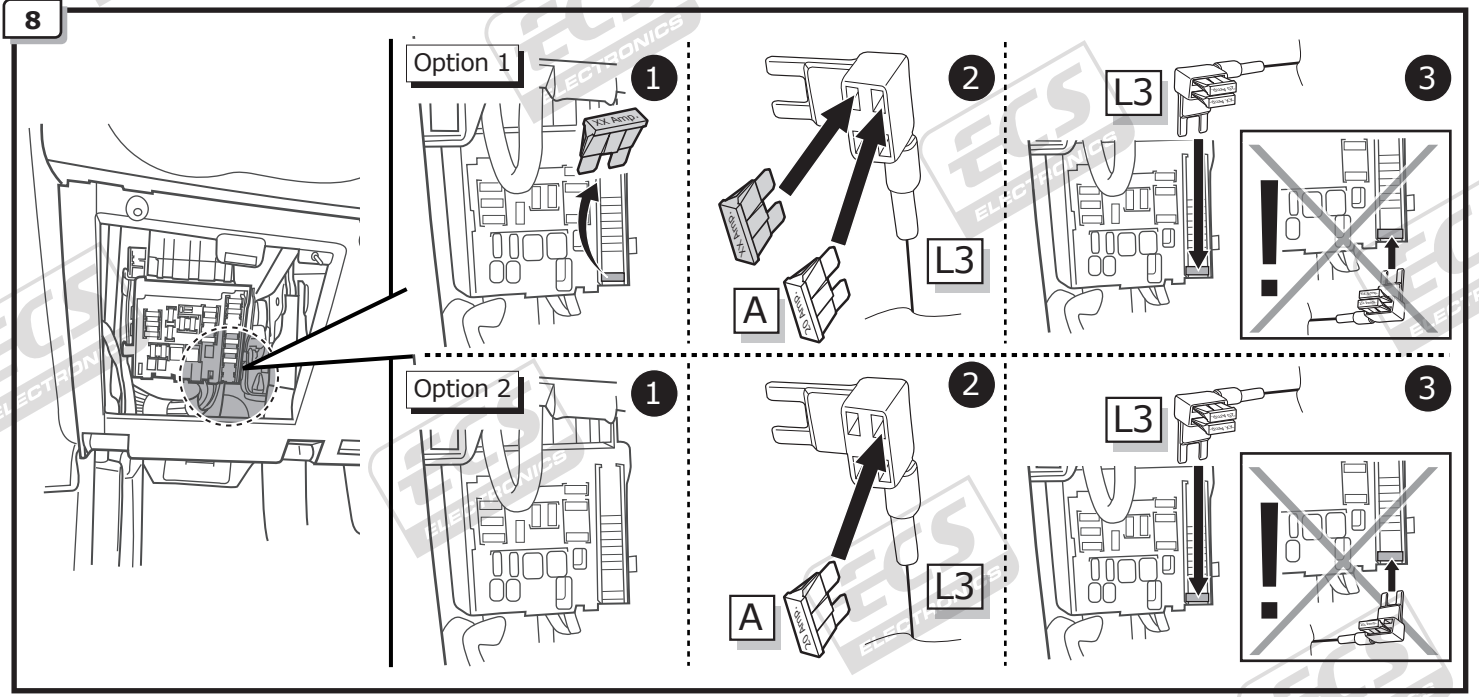


6



7





**10**

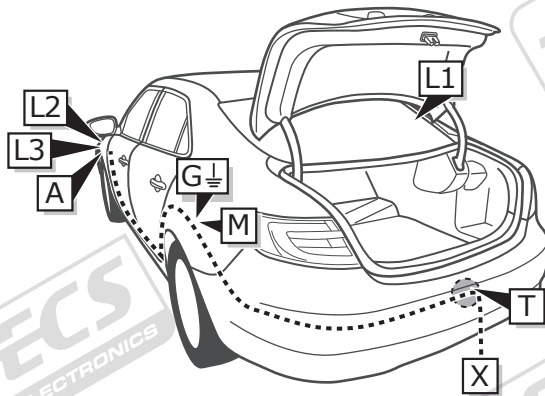
**Pag. 36**

INFO

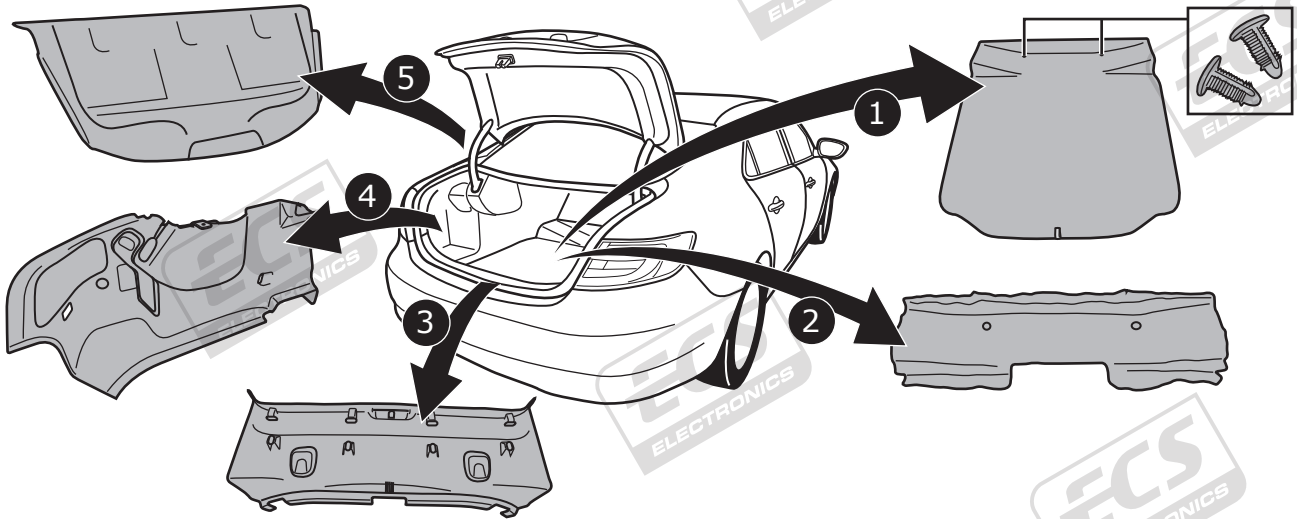
Saab 9-5

Pag. 12

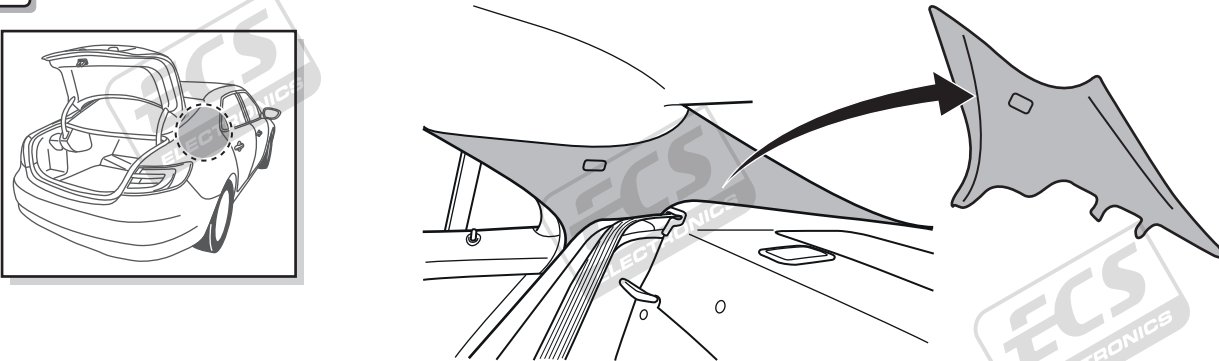
-  
Pag. 15



1

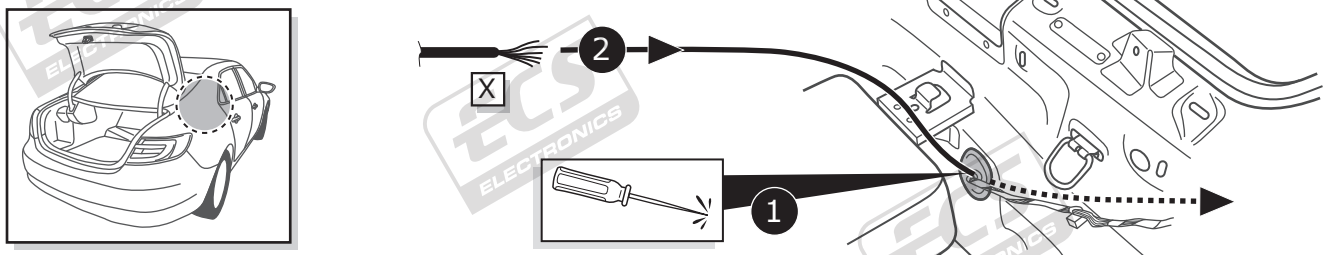


2



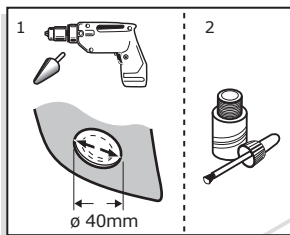
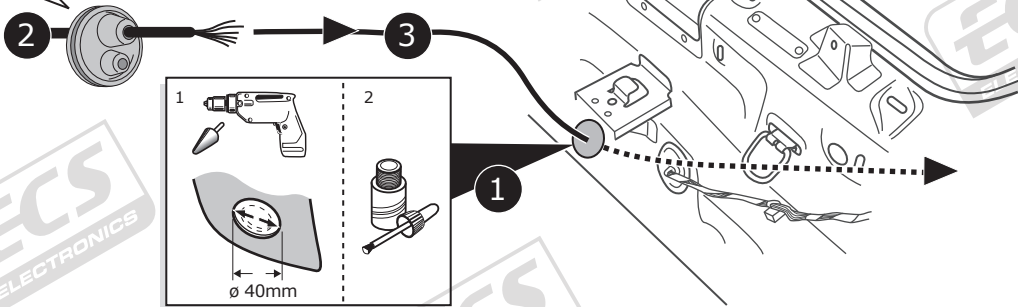
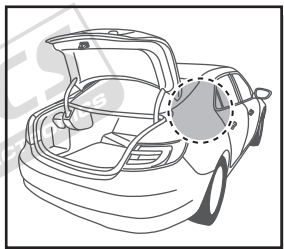
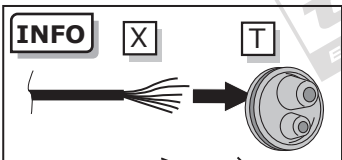
3

Option 1



4

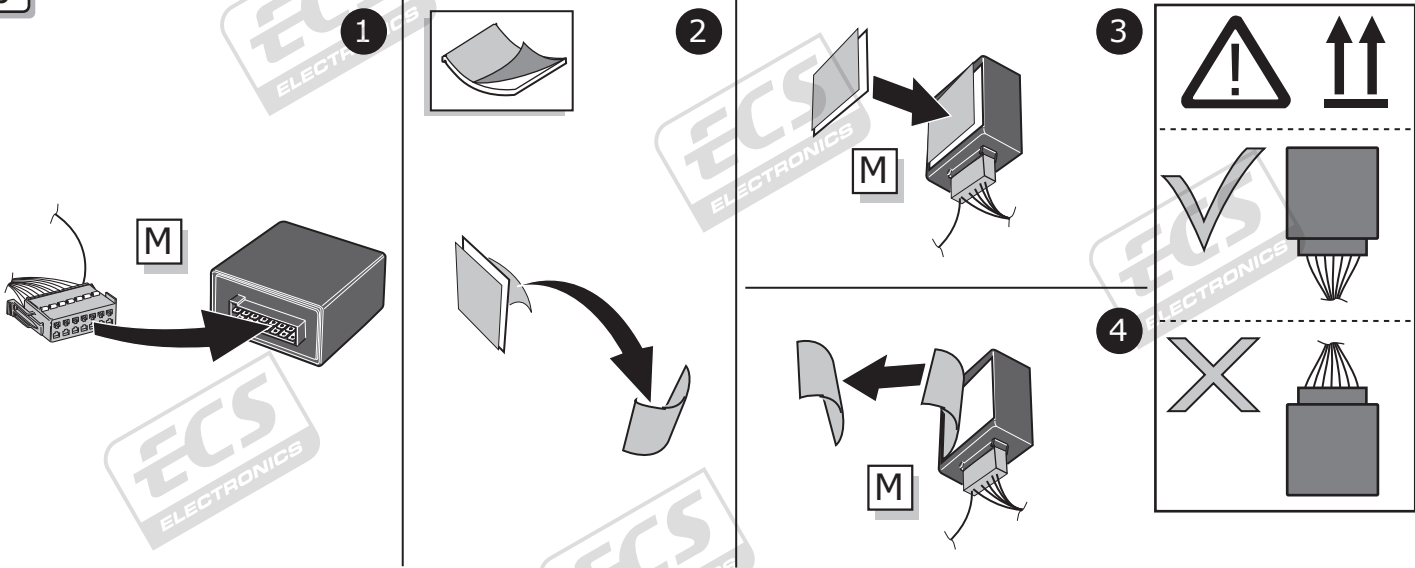
Option 2



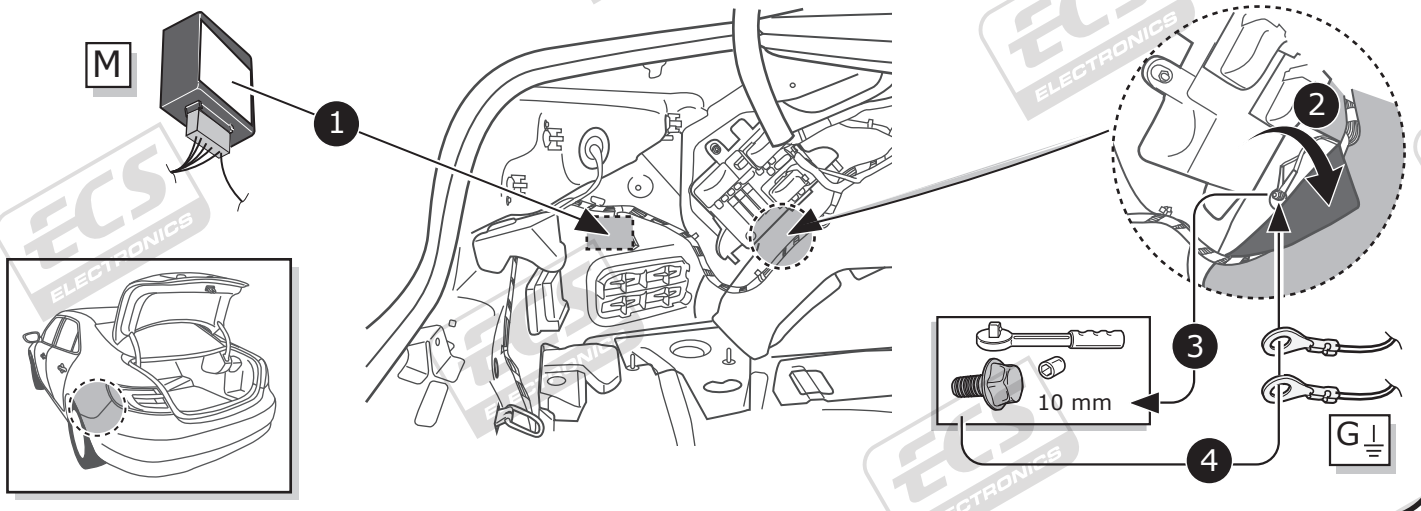
5



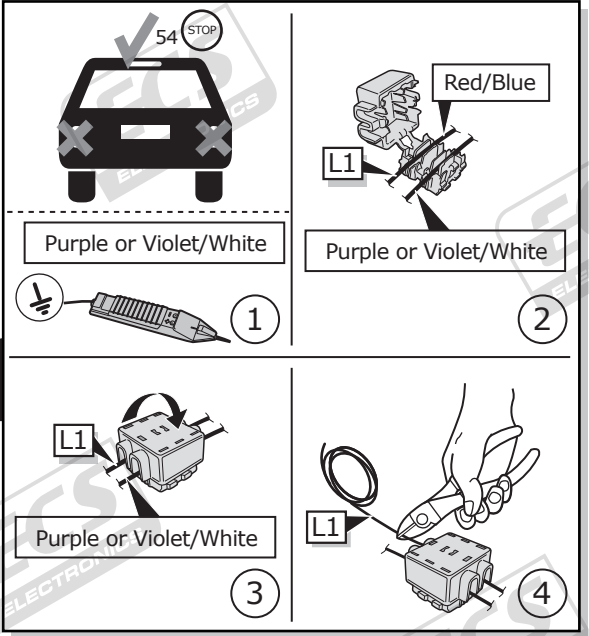
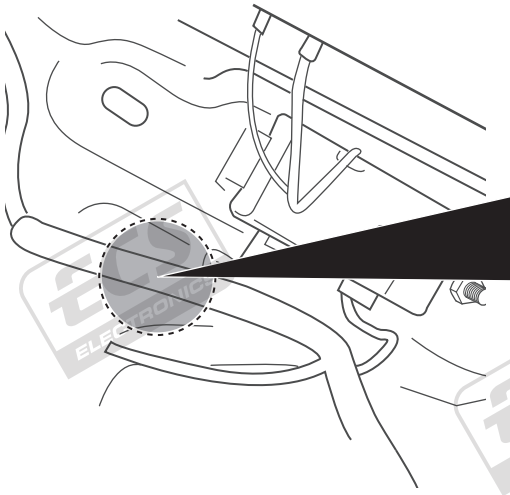
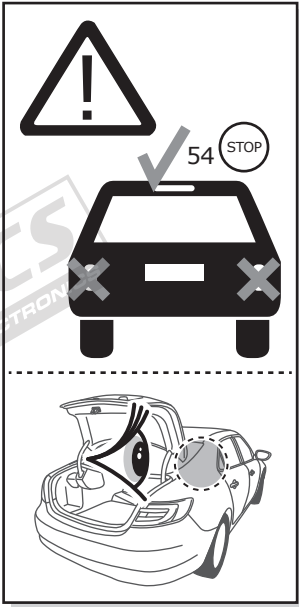
6



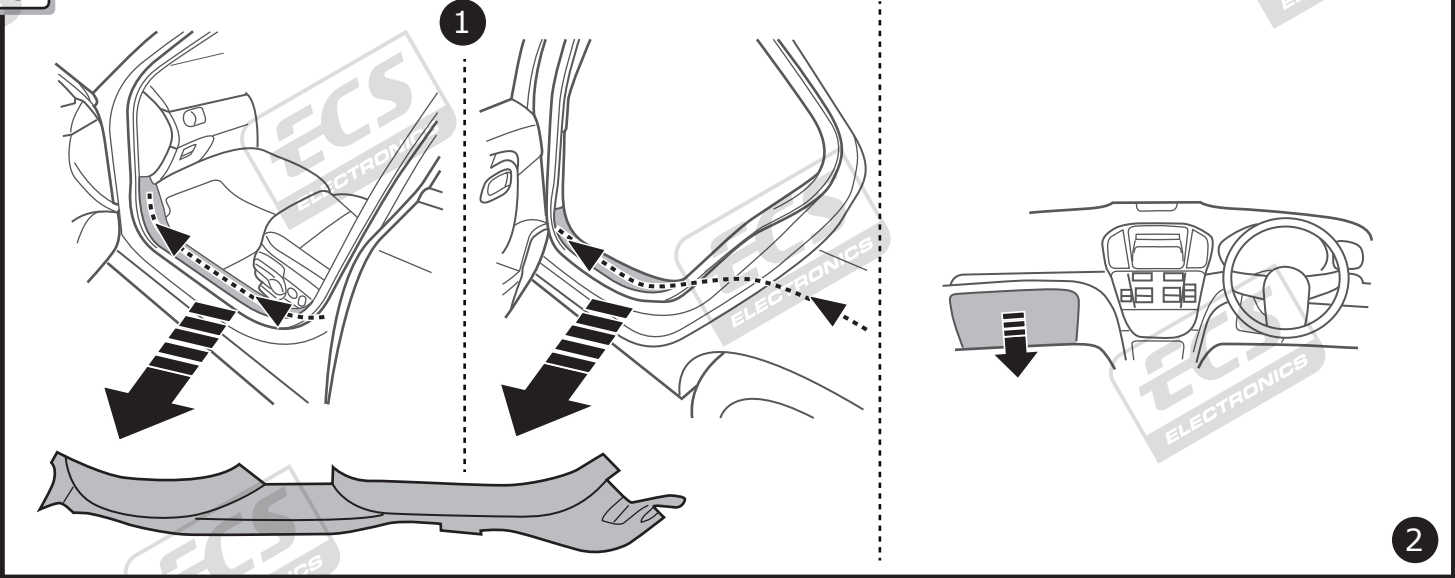
7



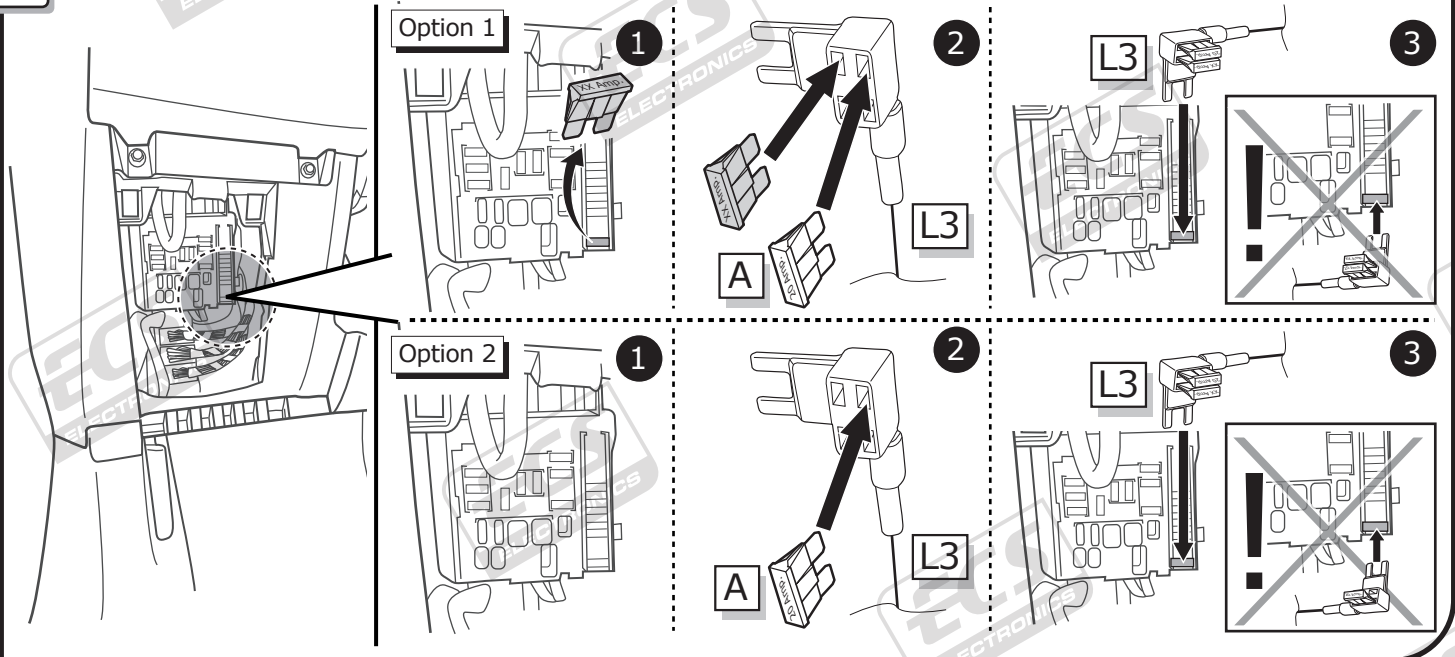
8



9

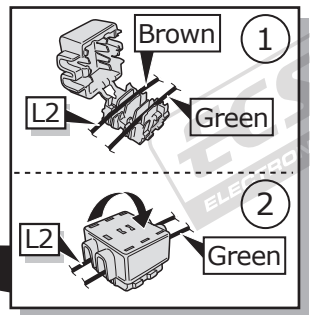
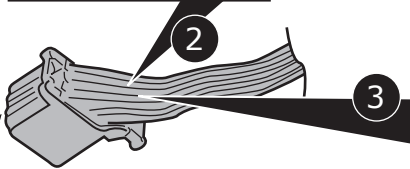
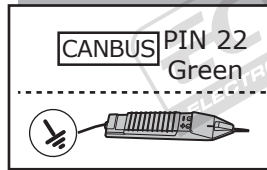
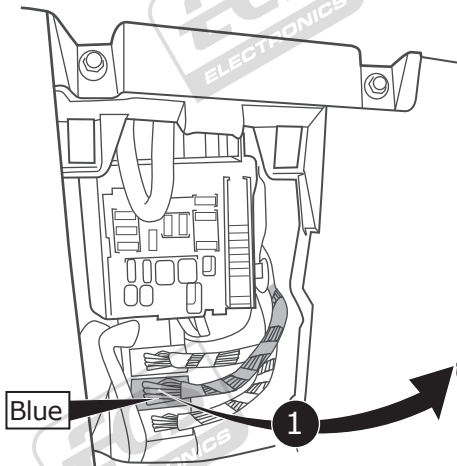
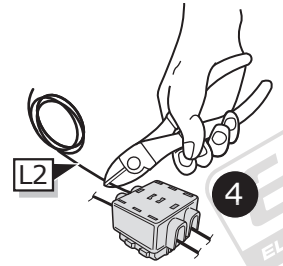
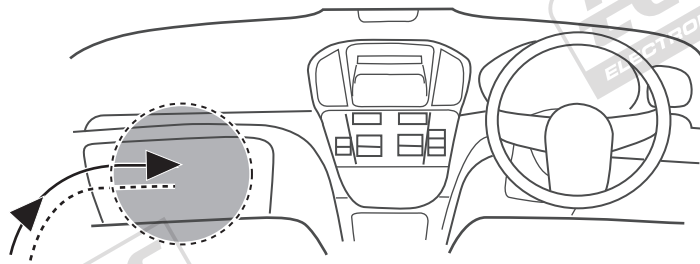
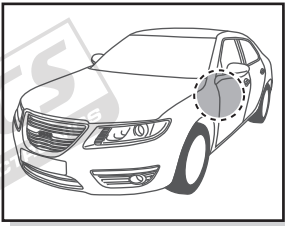
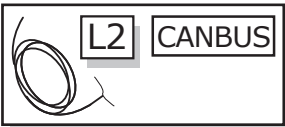


10



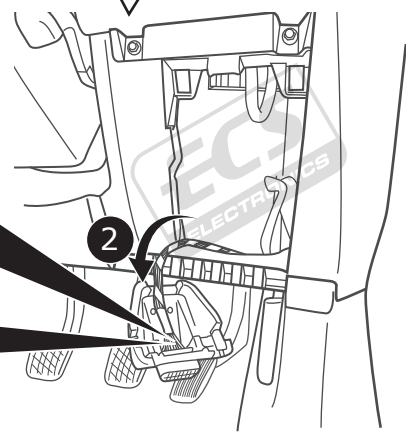
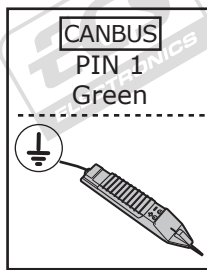
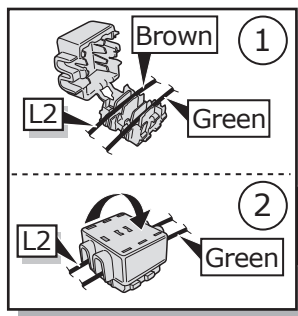
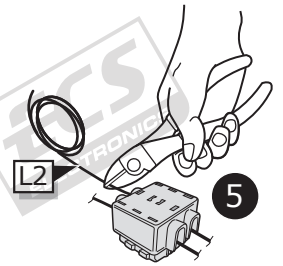
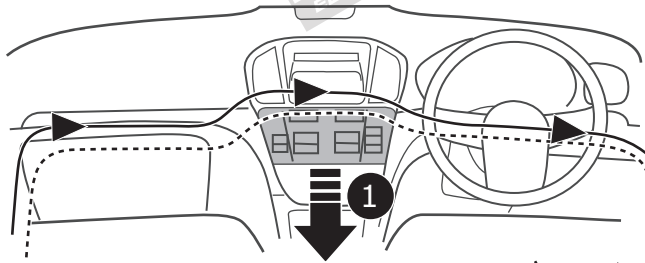
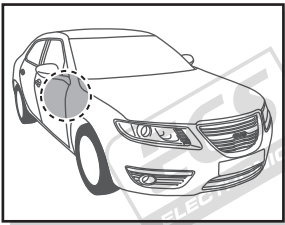
11

### Option 1



12

### Option 2



13



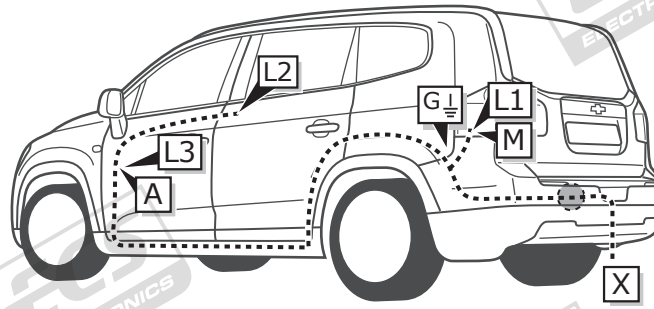
Pag. 36

INFO

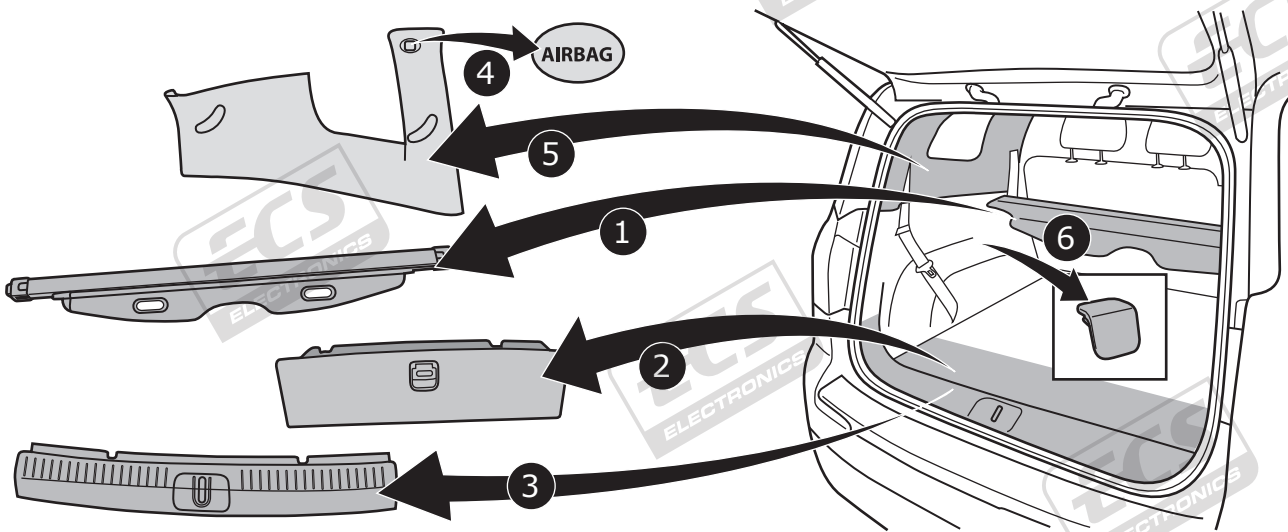
Orlando

Pag. 16

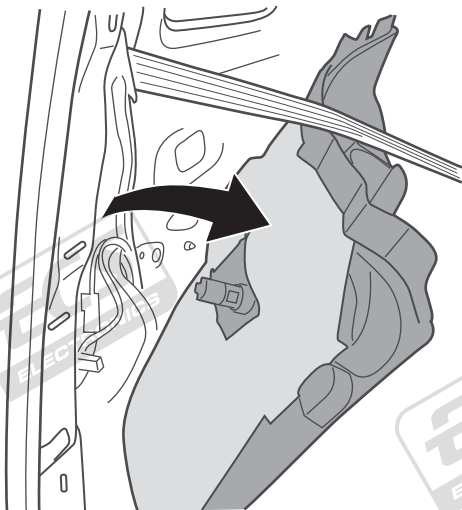
Pag. 19



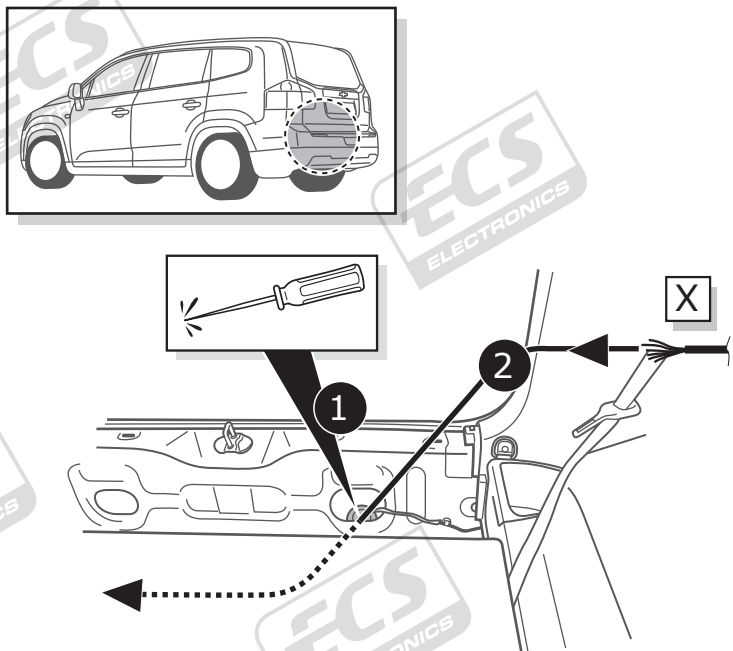
1



2



3





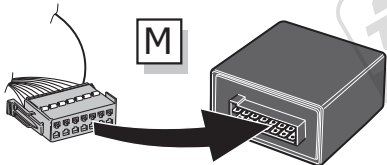
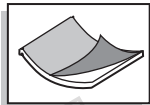
4



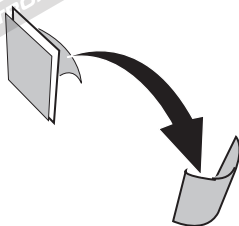
Pag. 35

5

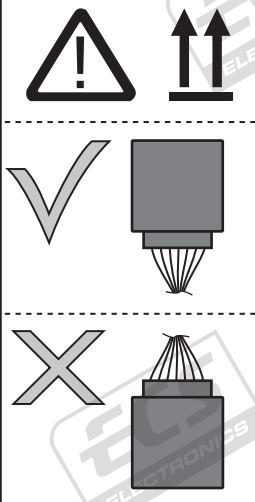
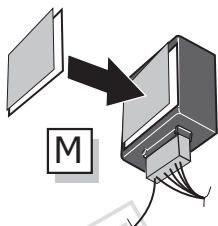
1



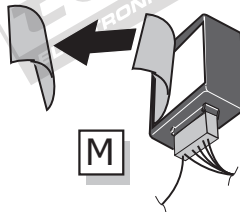
2



3



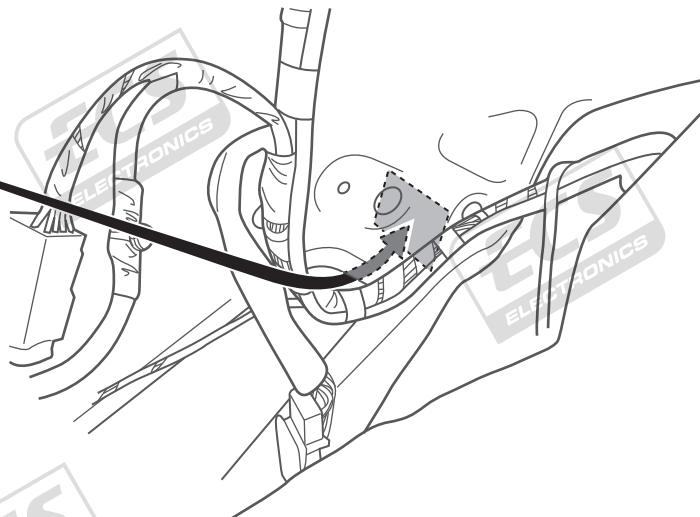
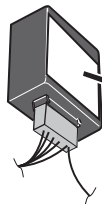
4



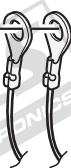
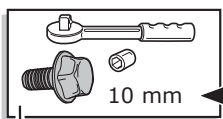
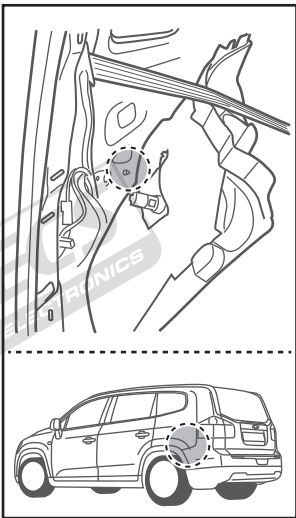
6



M

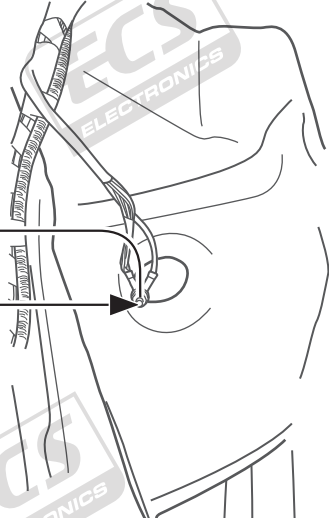


7

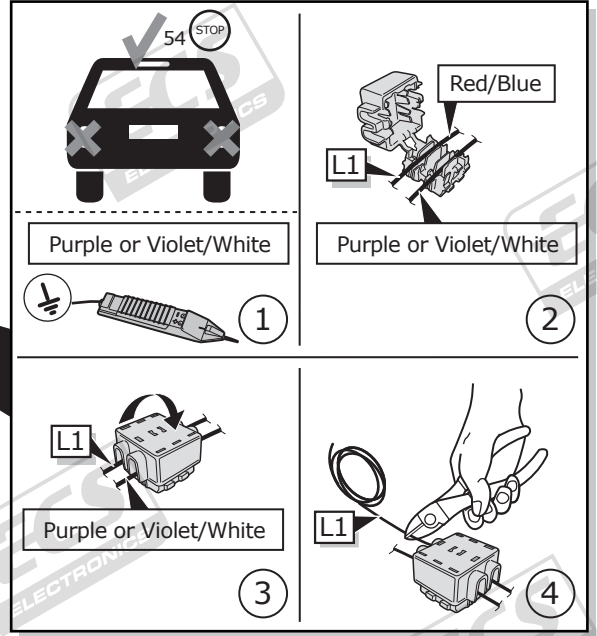
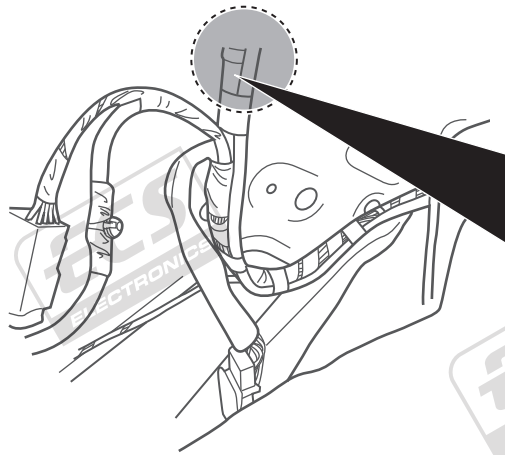
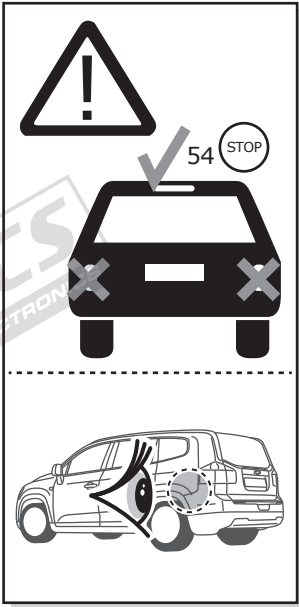


1

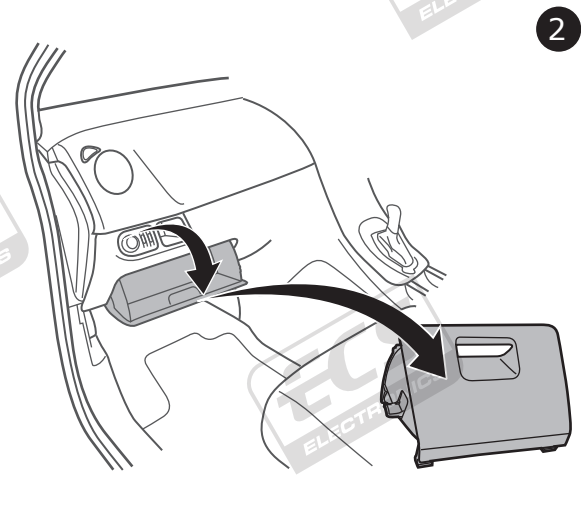
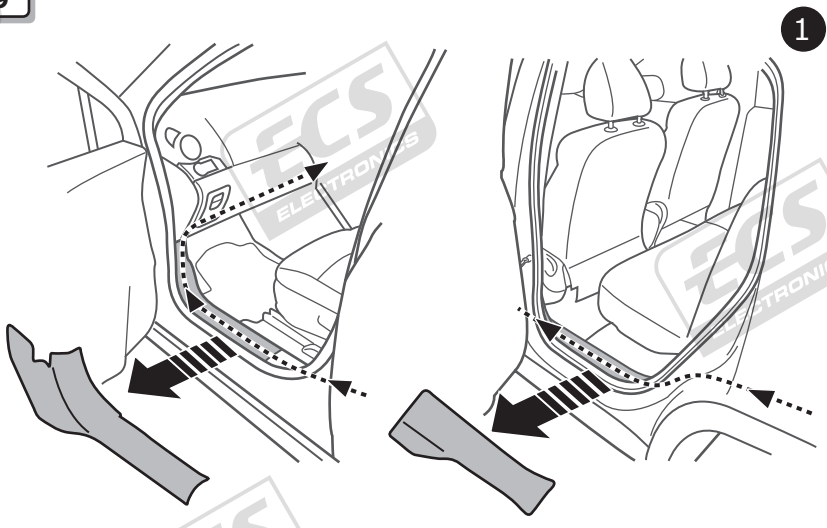
2



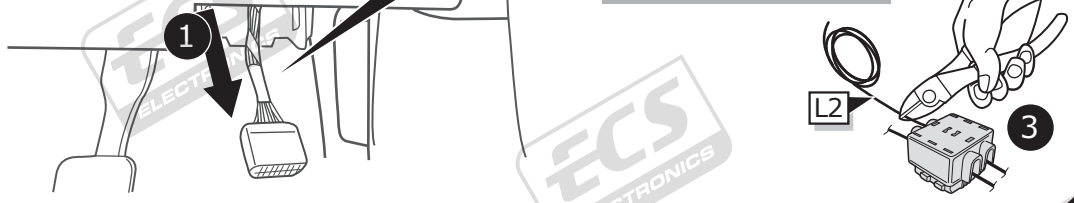
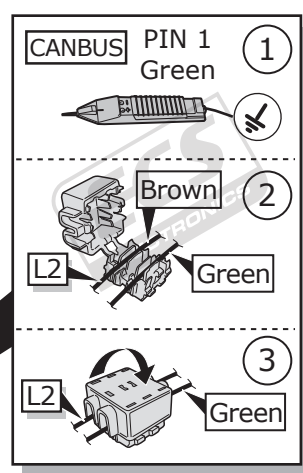
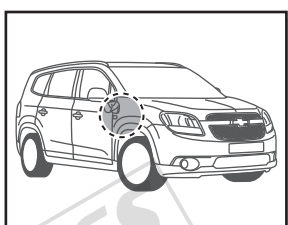
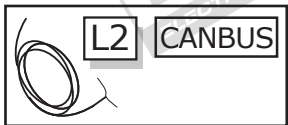
8



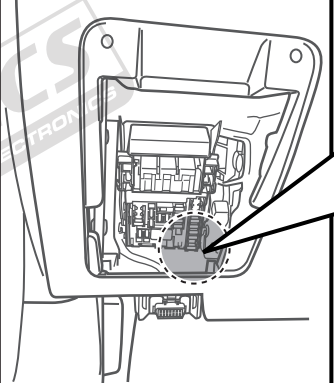
9



10



11

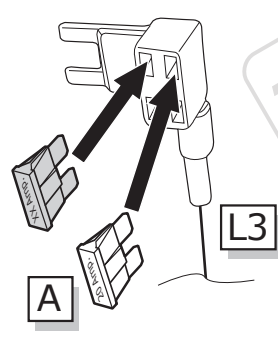


Option 1

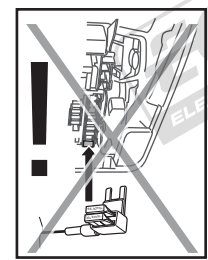
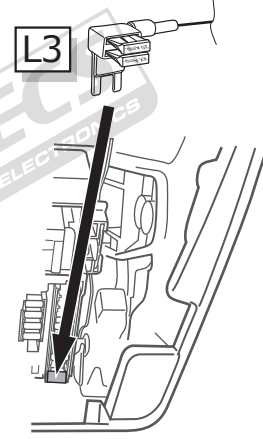
1



2

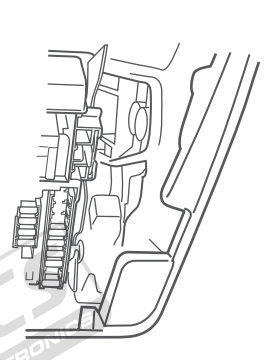


3

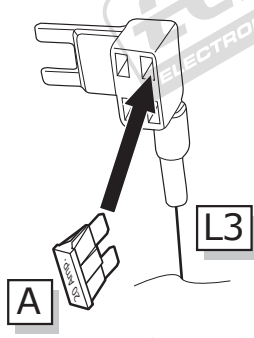


Option 2

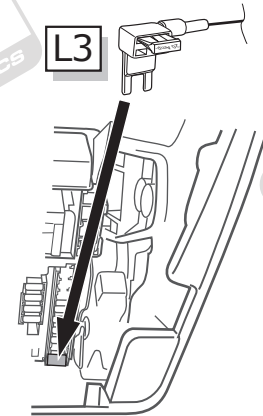
1



2



3



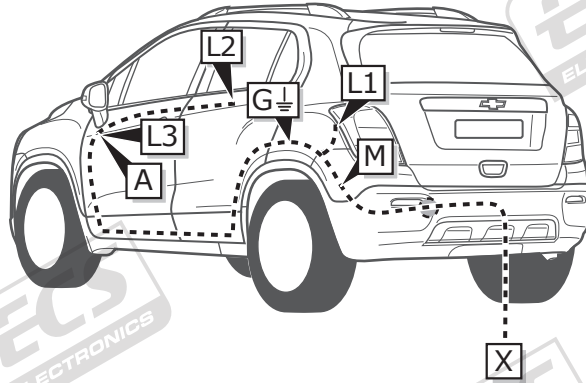
12



Pag. 36

# Trax

## INFO

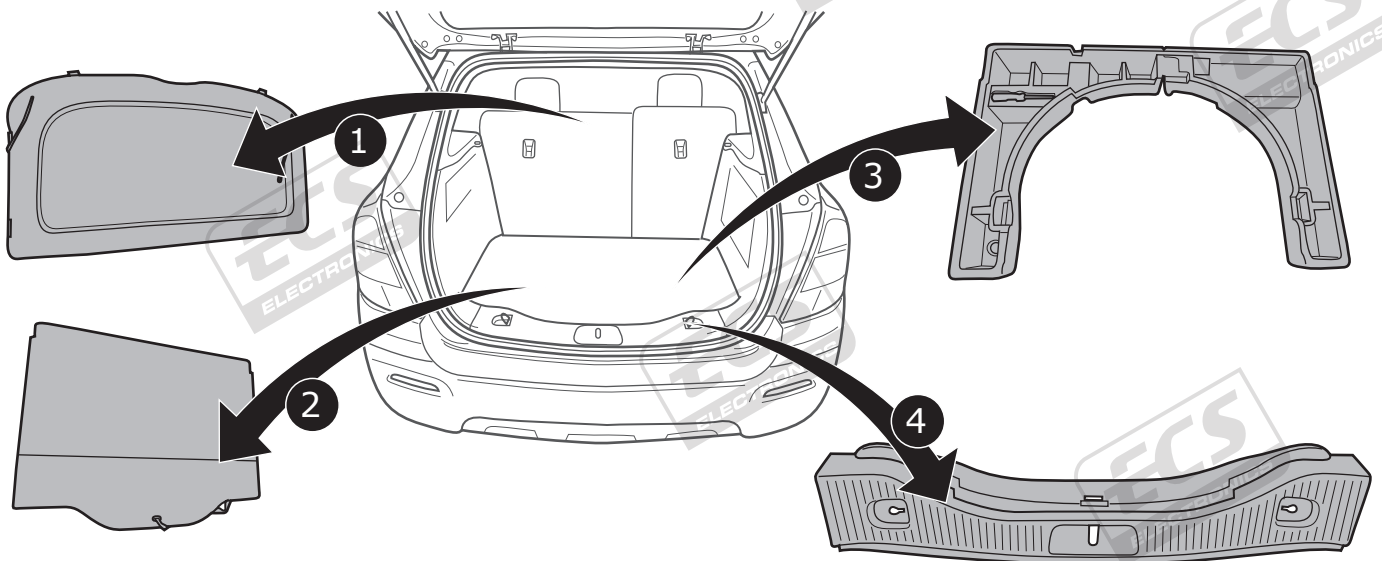


**Trax**

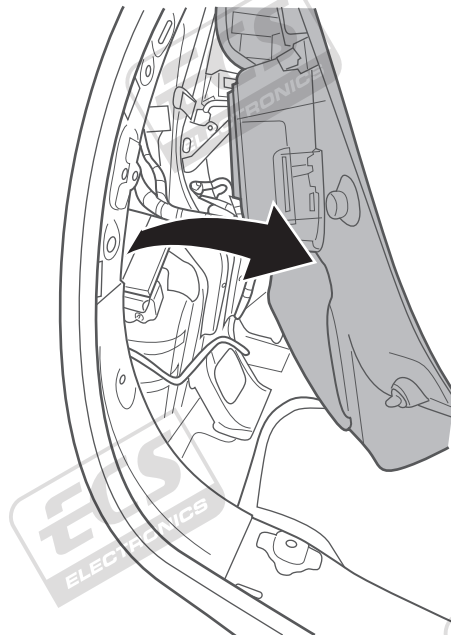
Pag. 20

-  
Pag. 23

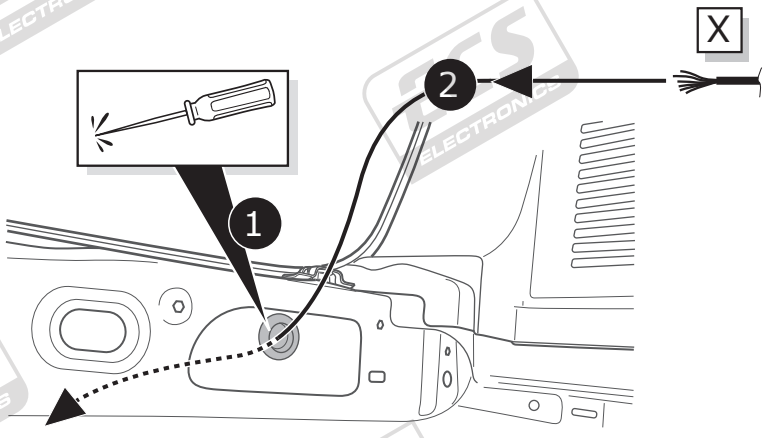
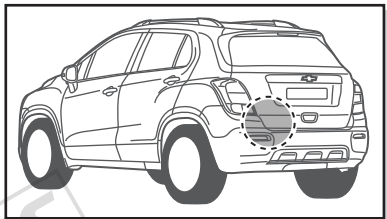
1



2



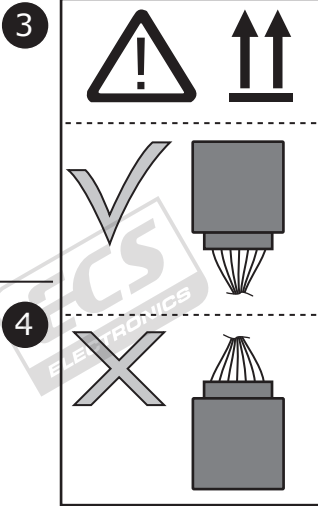
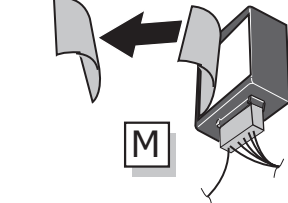
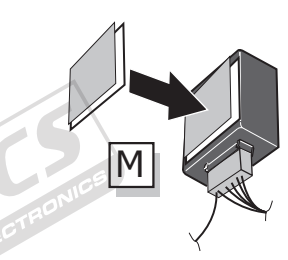
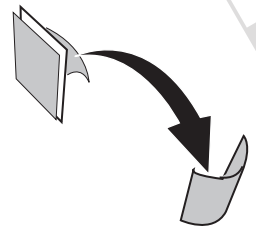
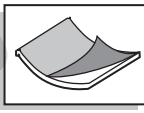
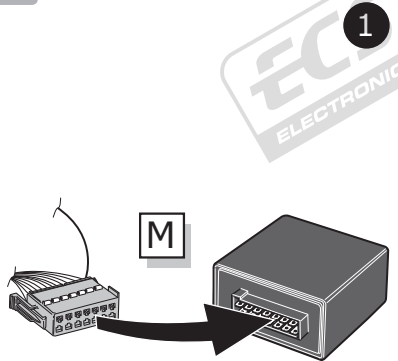
3



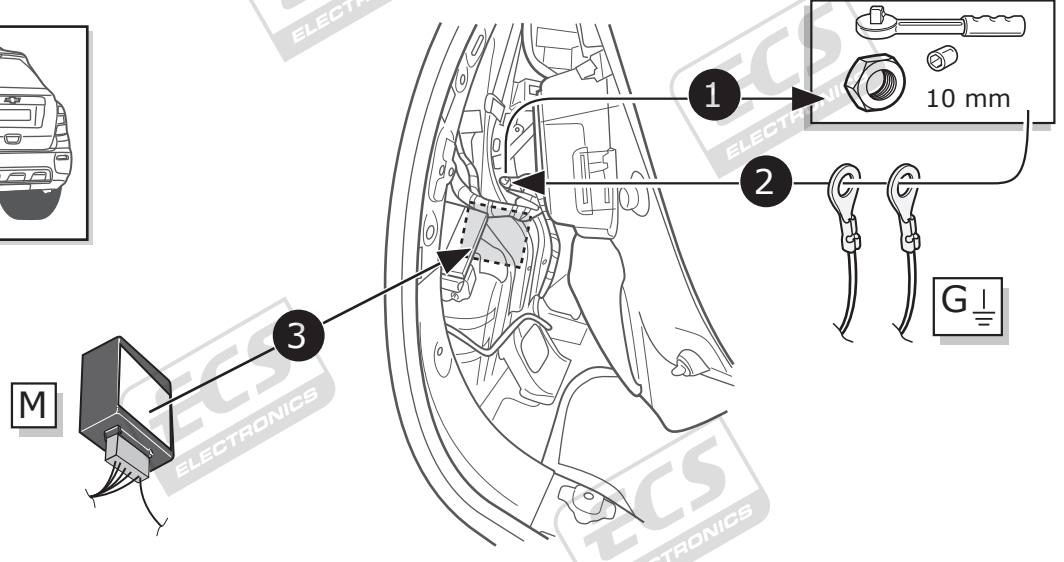
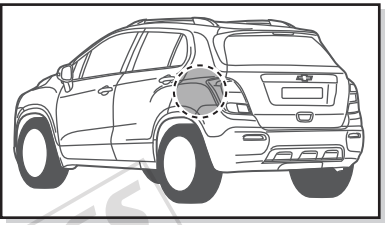
4



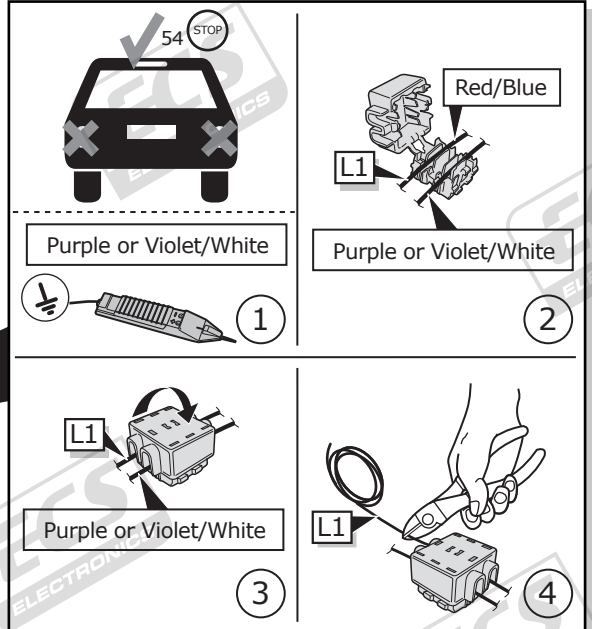
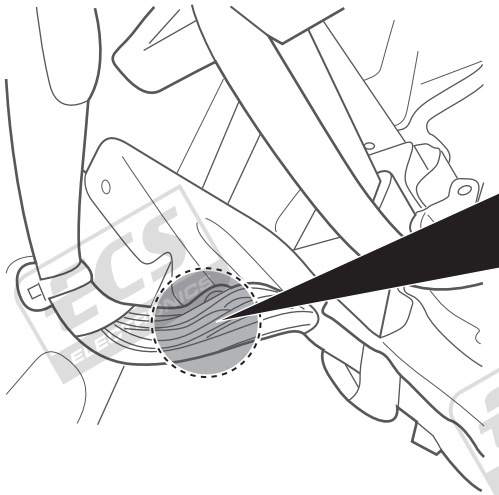
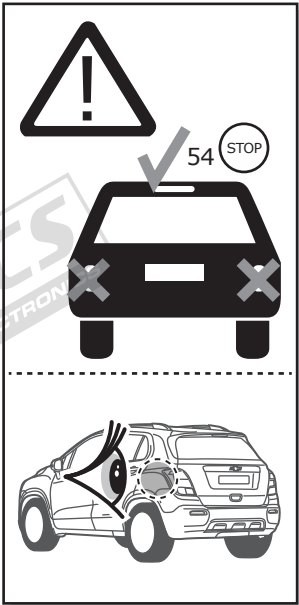
5



6

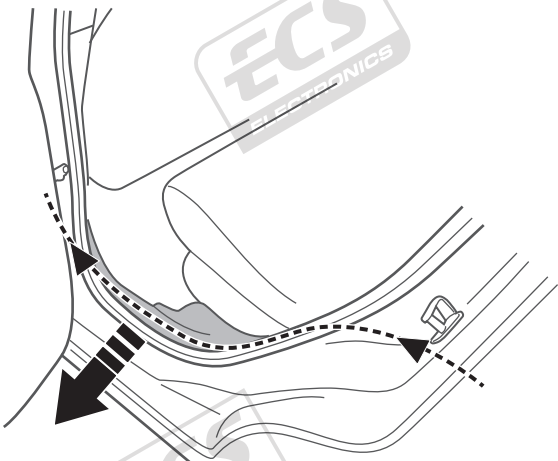


7

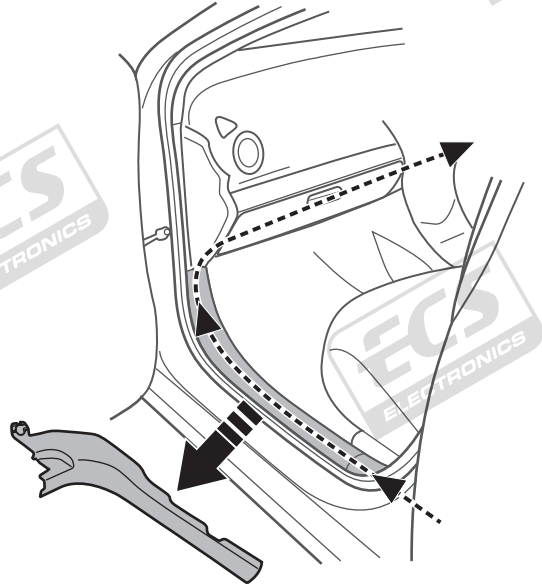


8

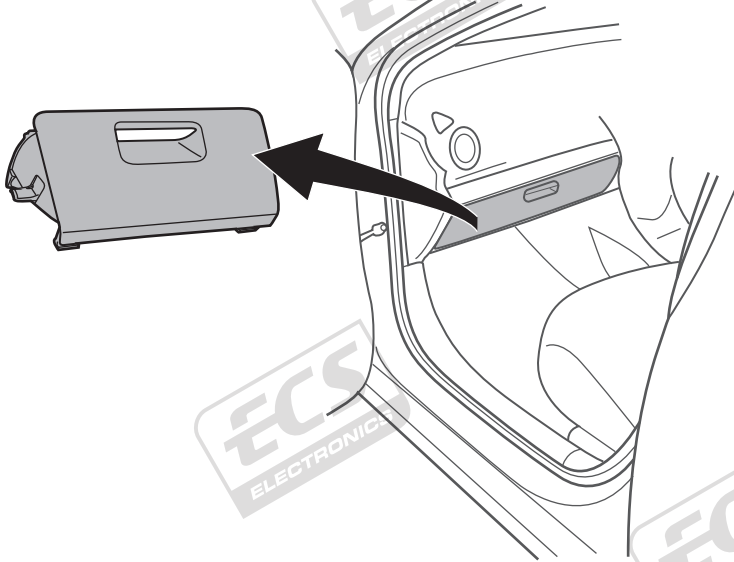
1

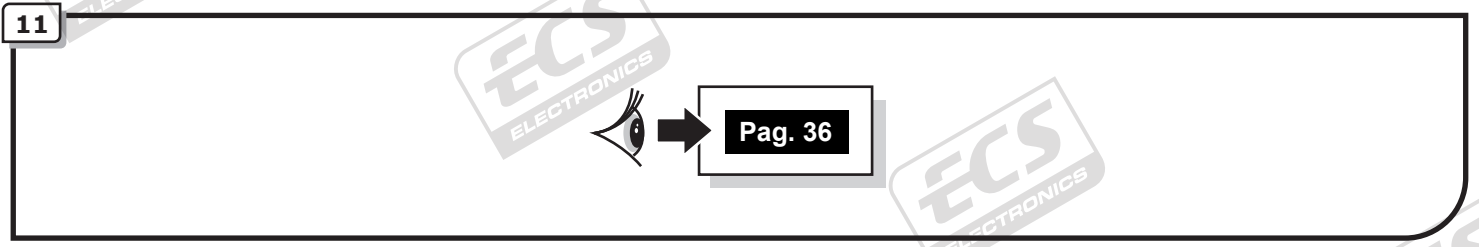
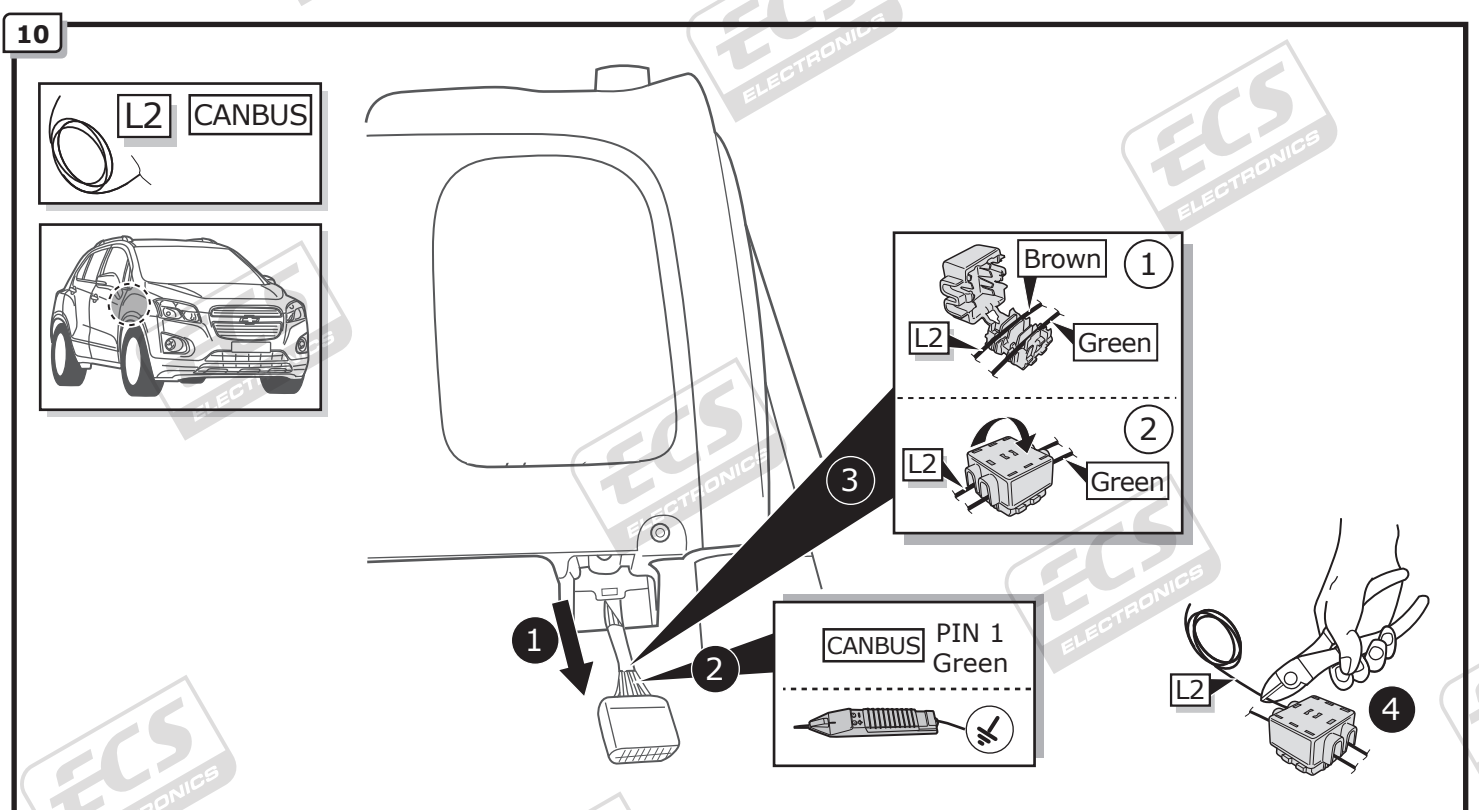
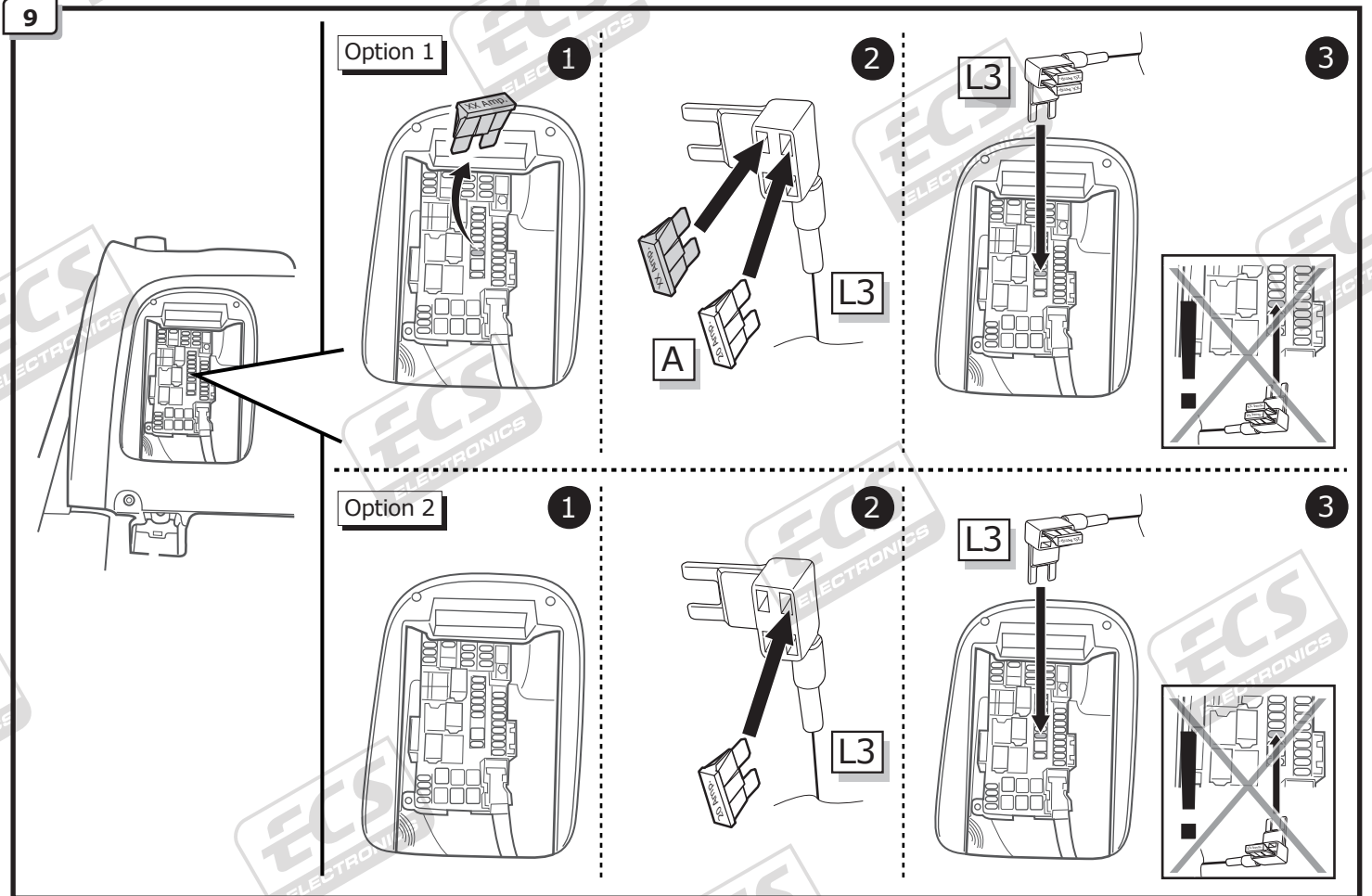


2

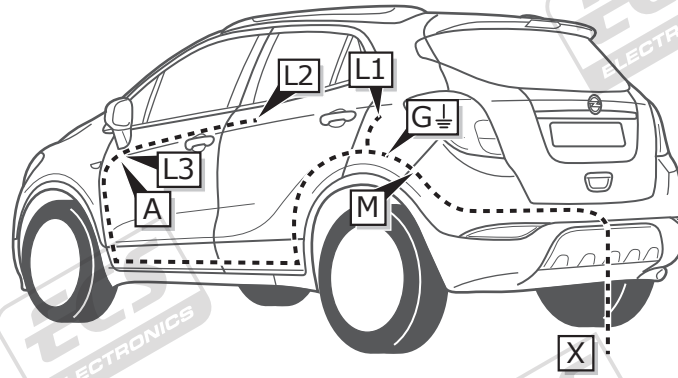


3





INFO

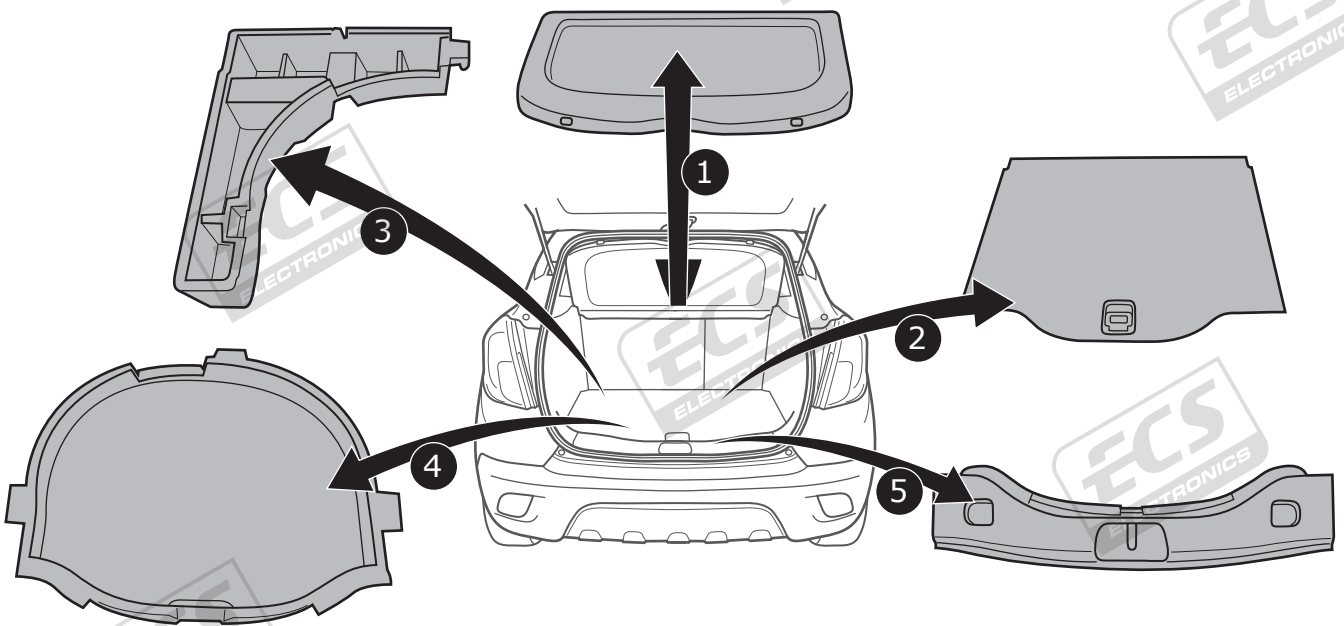


Mokka

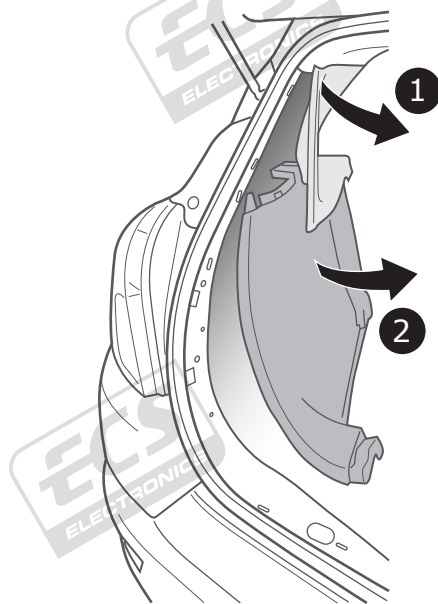
Pag. 24

Pag. 30

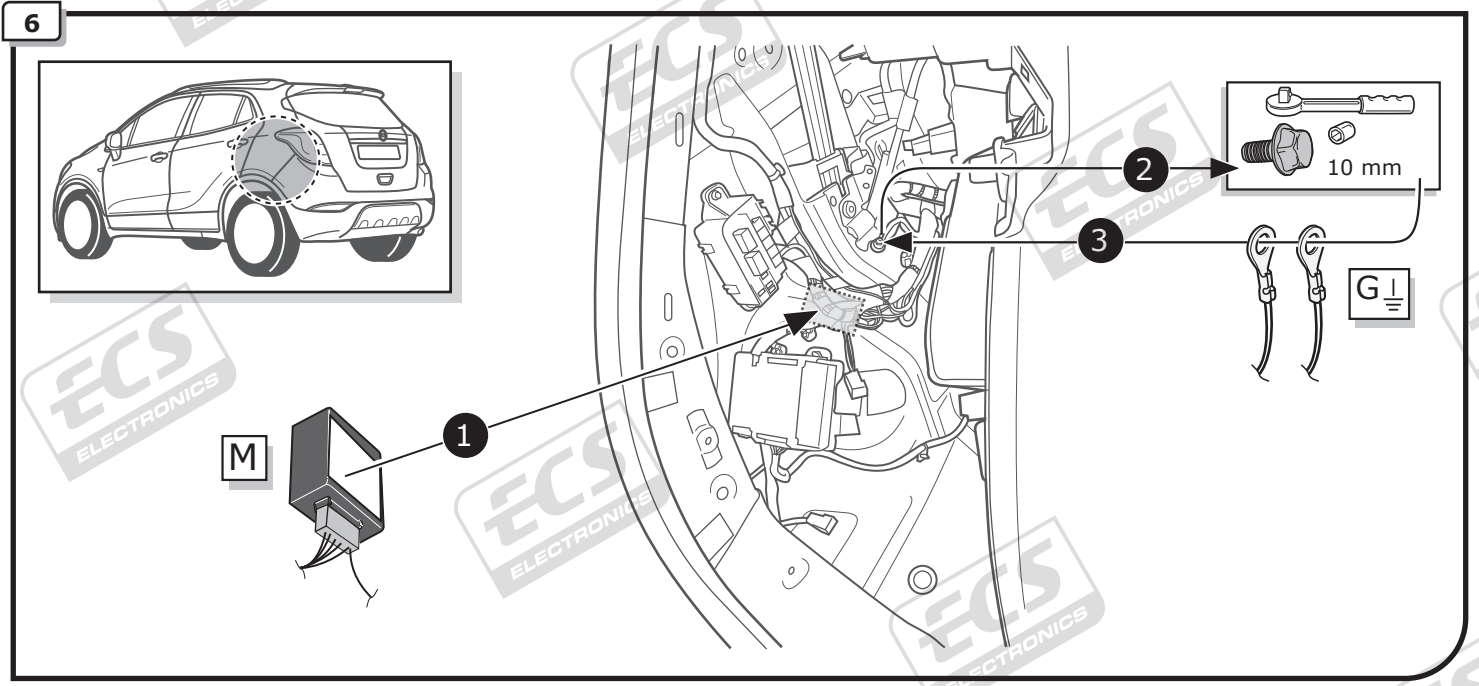
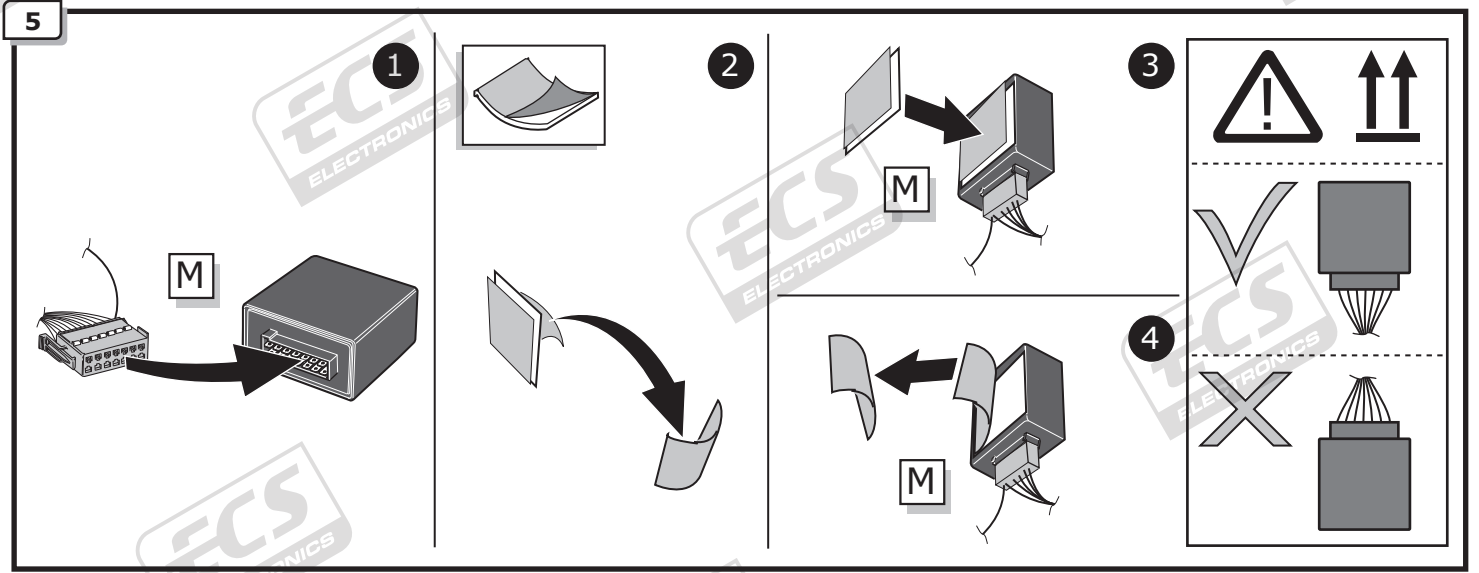
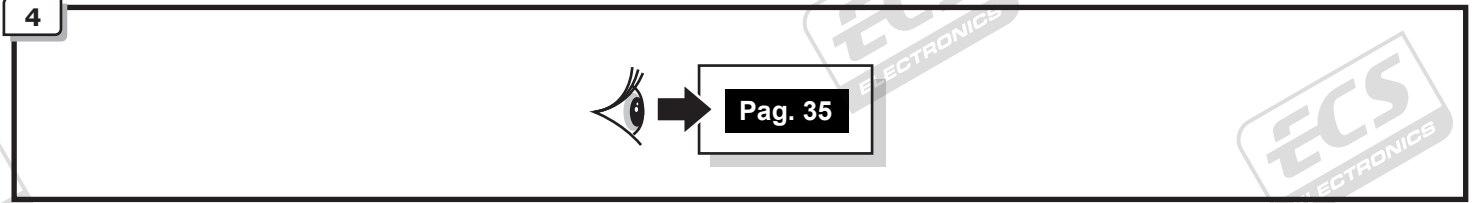
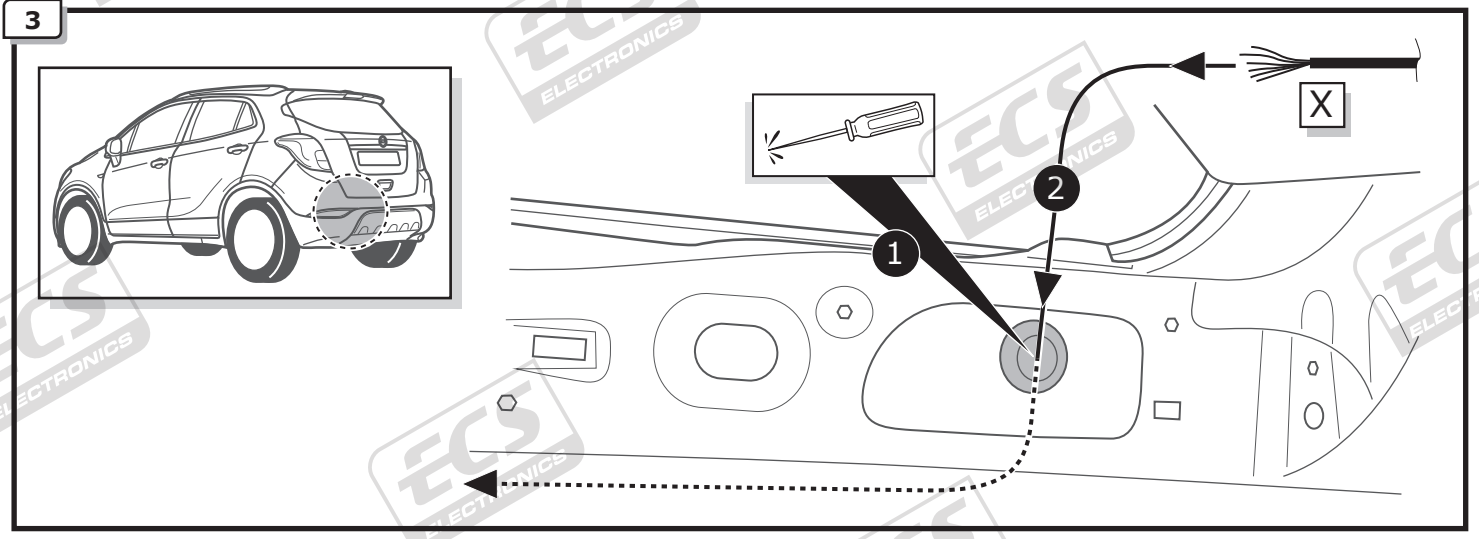
1



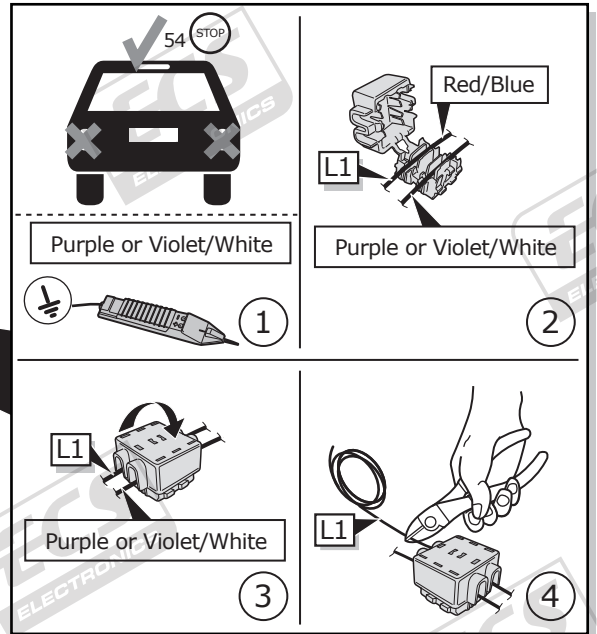
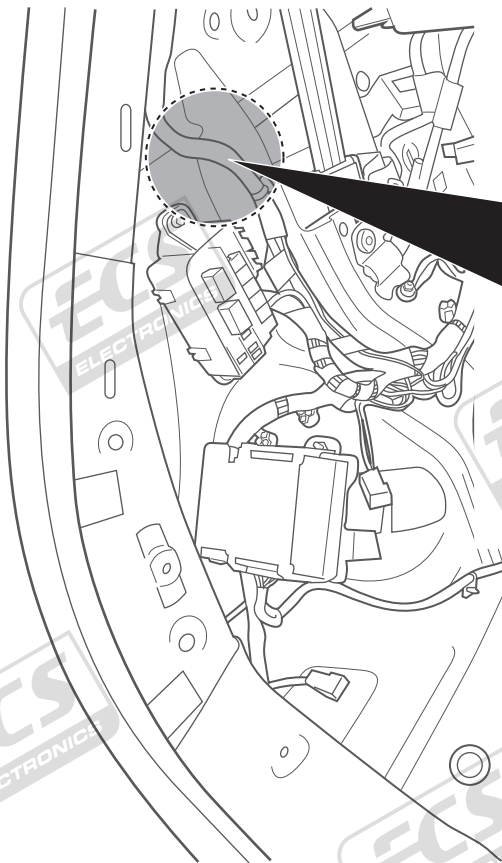
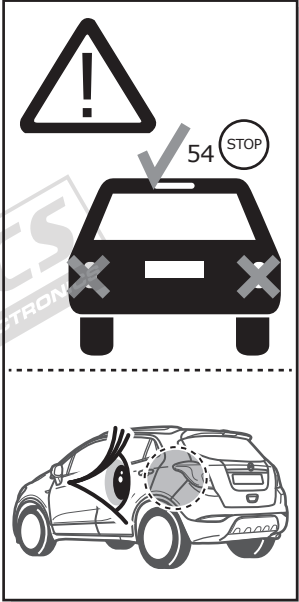
2



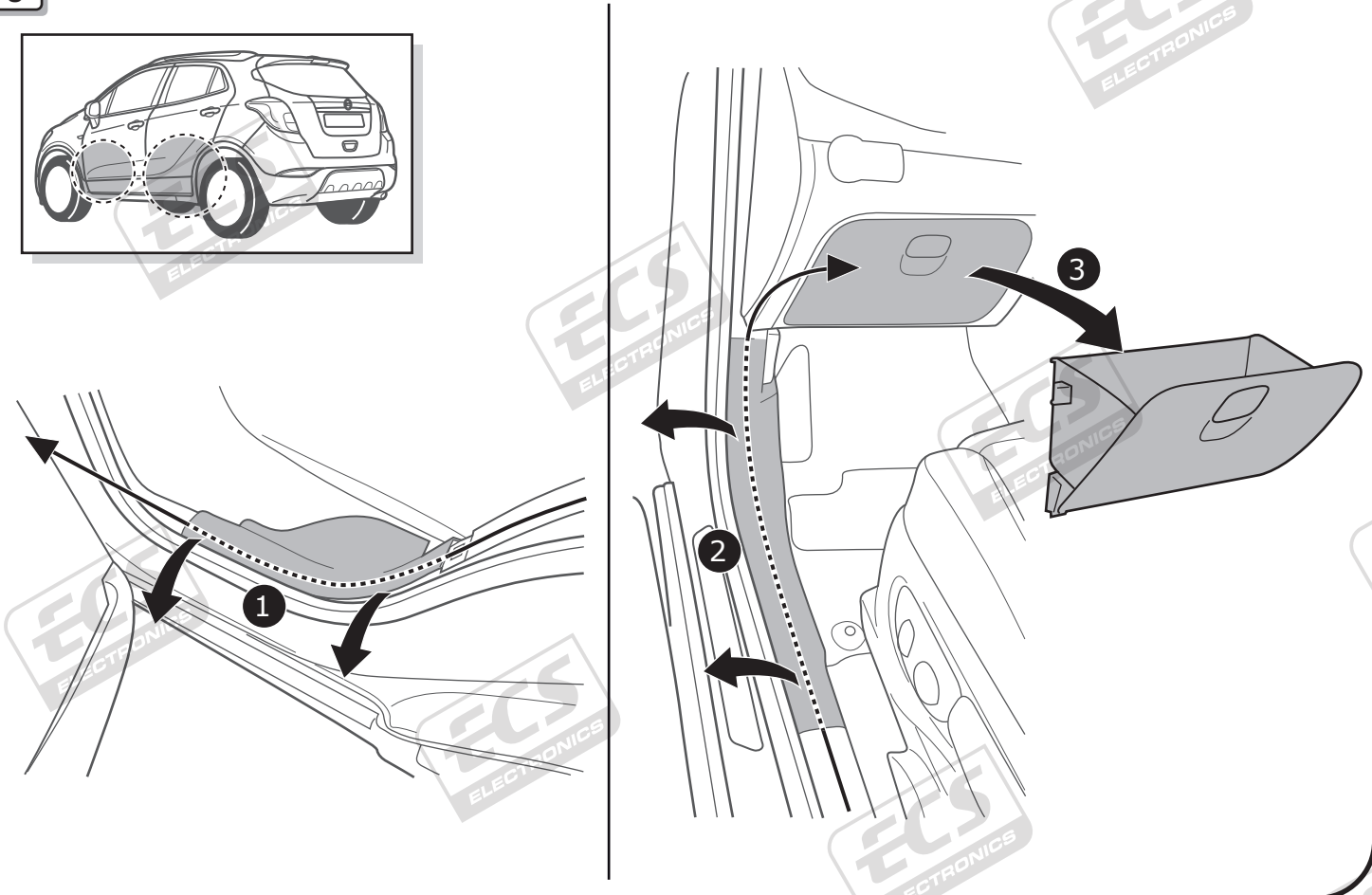
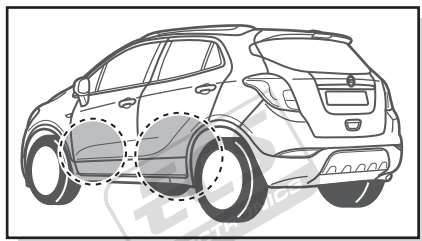




7



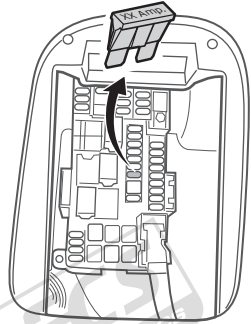
8



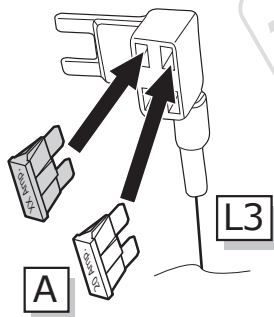
# Opel Mokka

Option 1

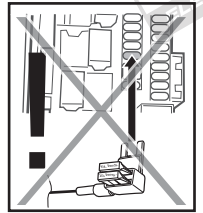
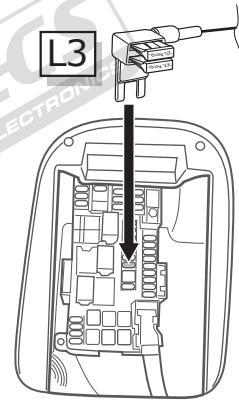
1



2

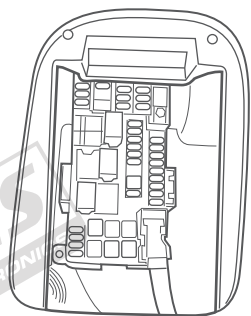


3

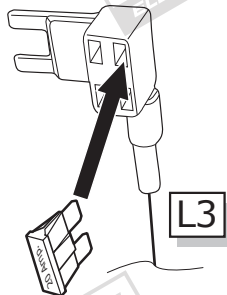


Option 2

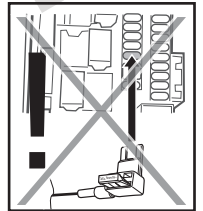
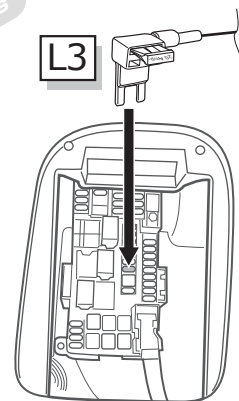
1



2



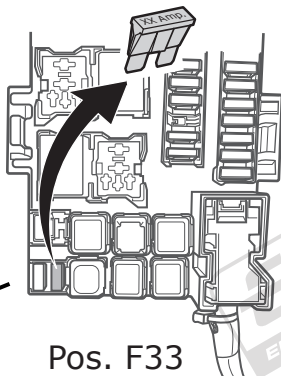
3



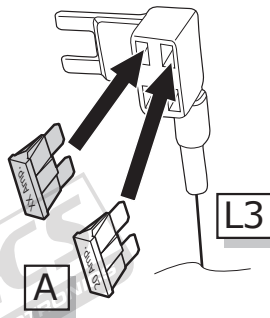
# Opel Mokka X

Option 1

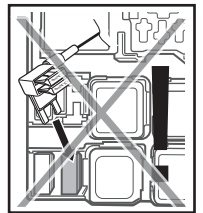
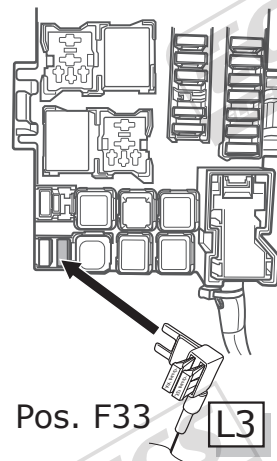
2



3



4

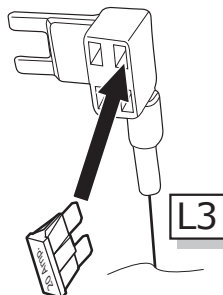


Option 2

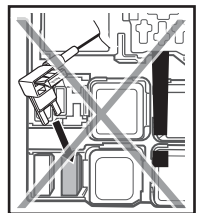
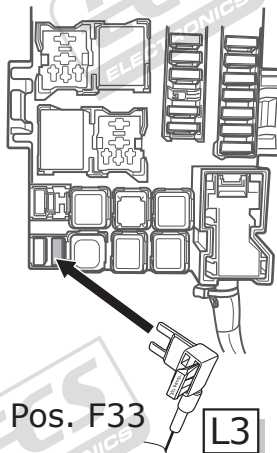
2



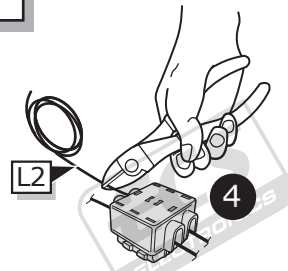
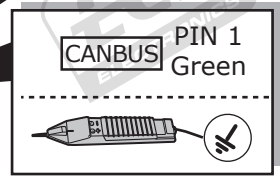
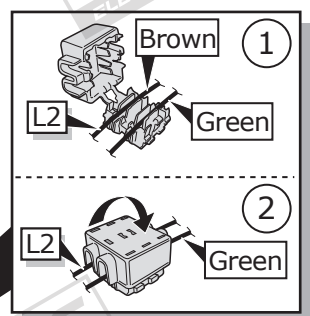
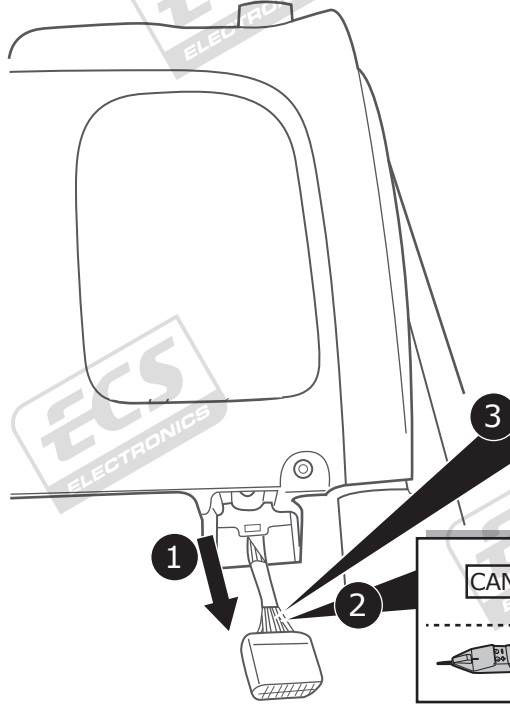
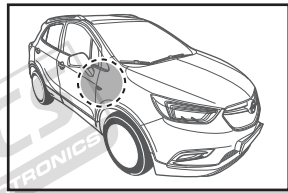
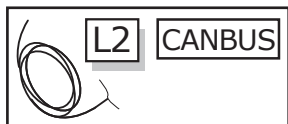
3



4



11

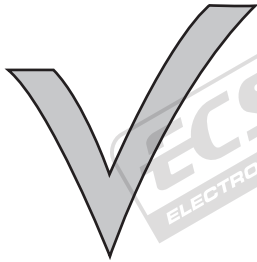
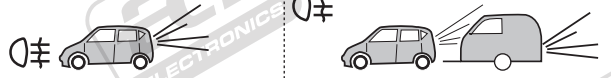
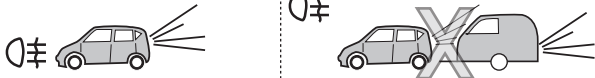


12

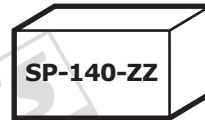


# SP-140-ZZ

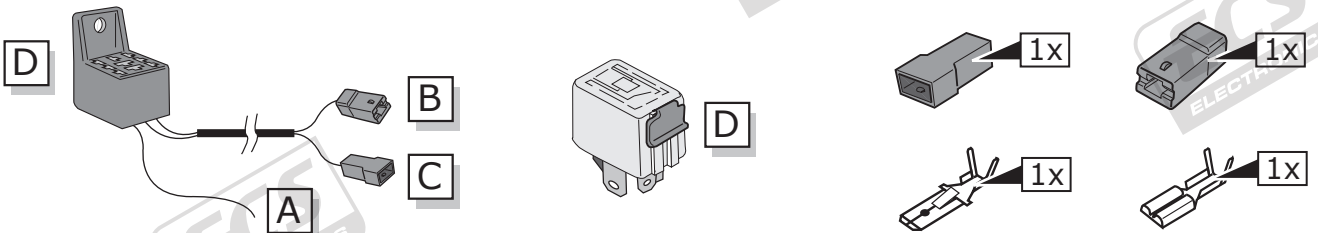
## INFO



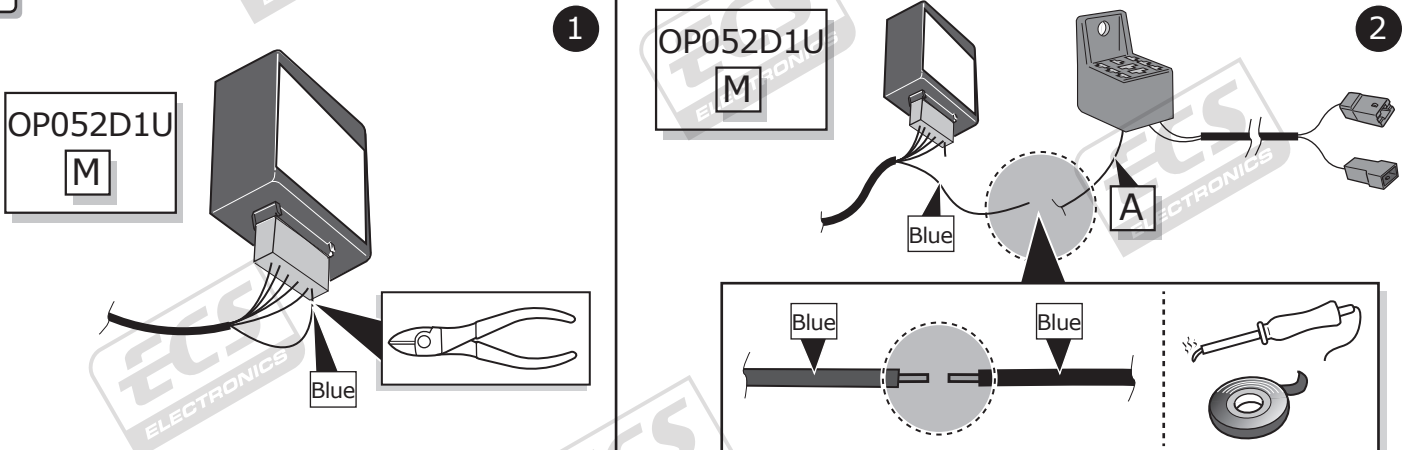
Supplier



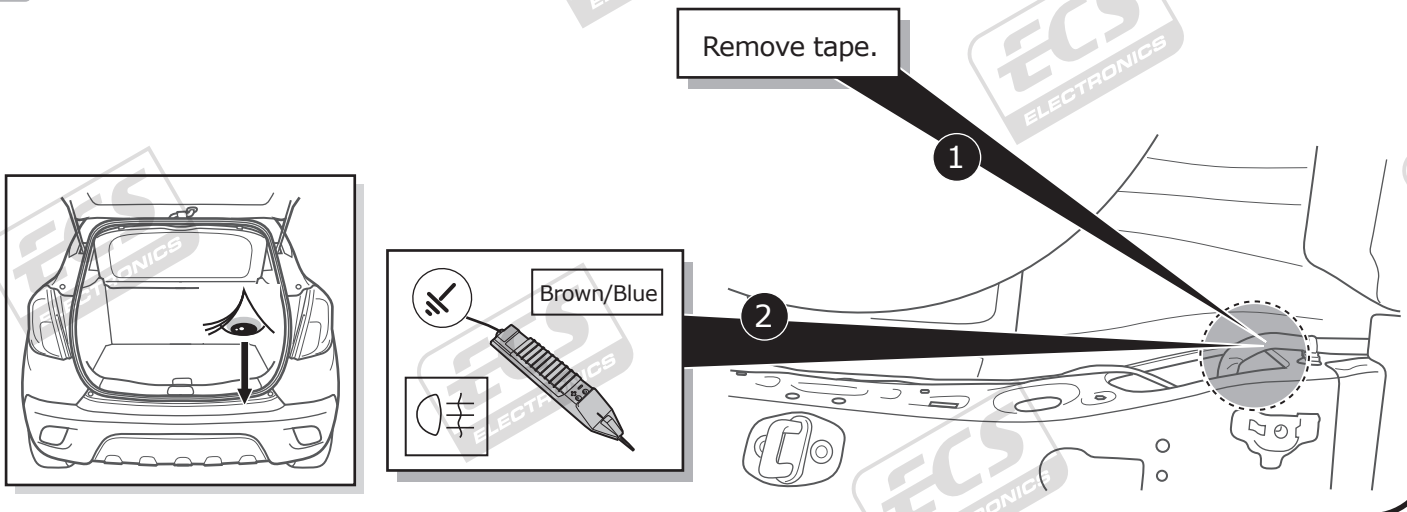
## A



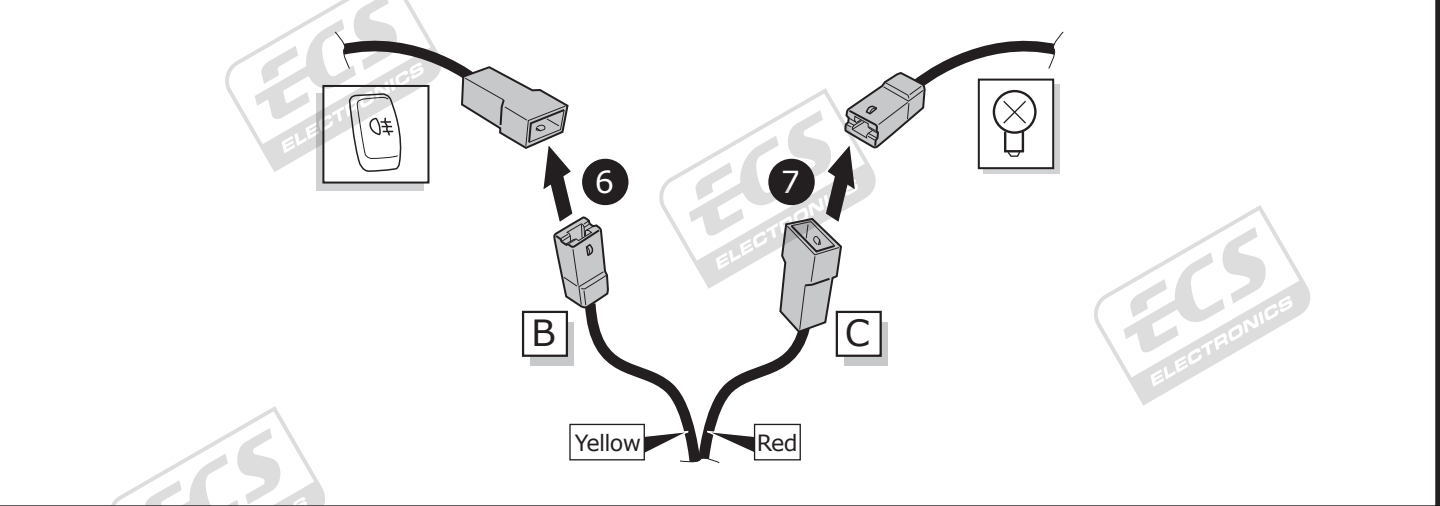
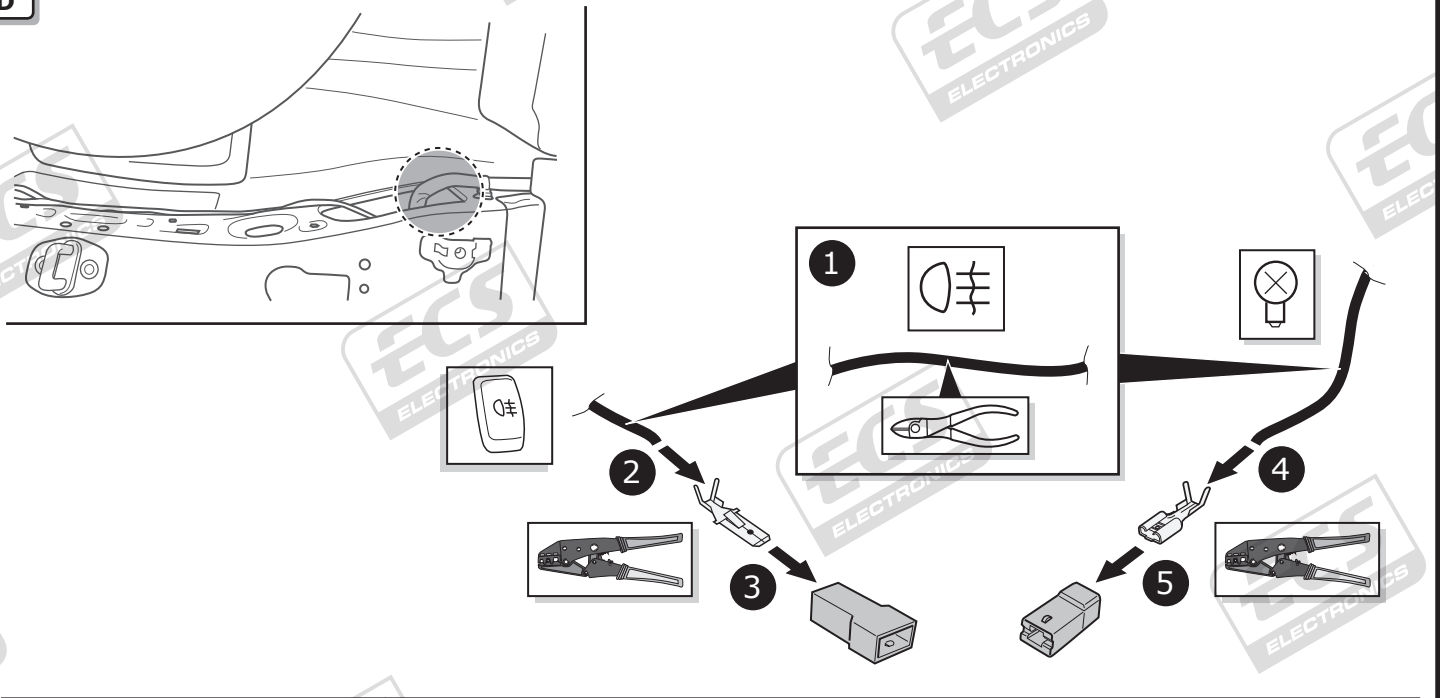
## B



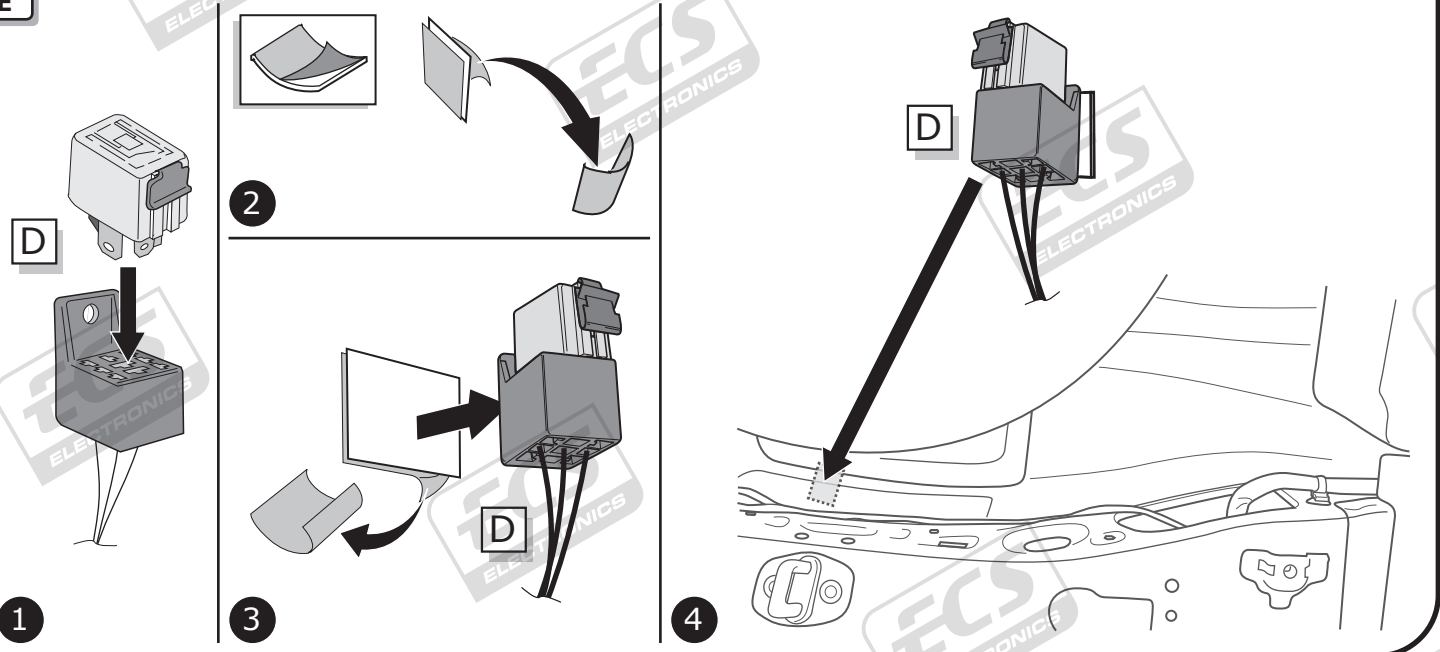
## C



D



E

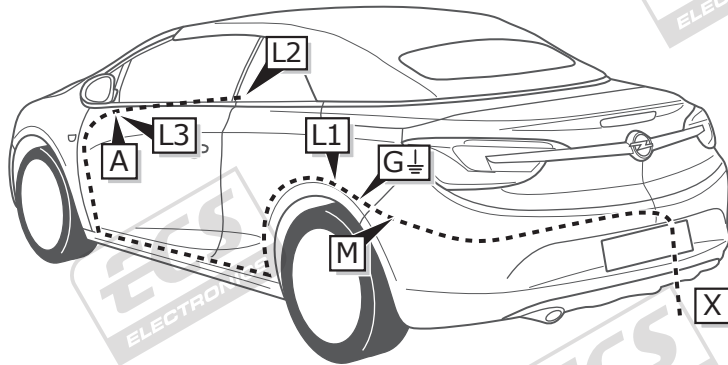


INFO

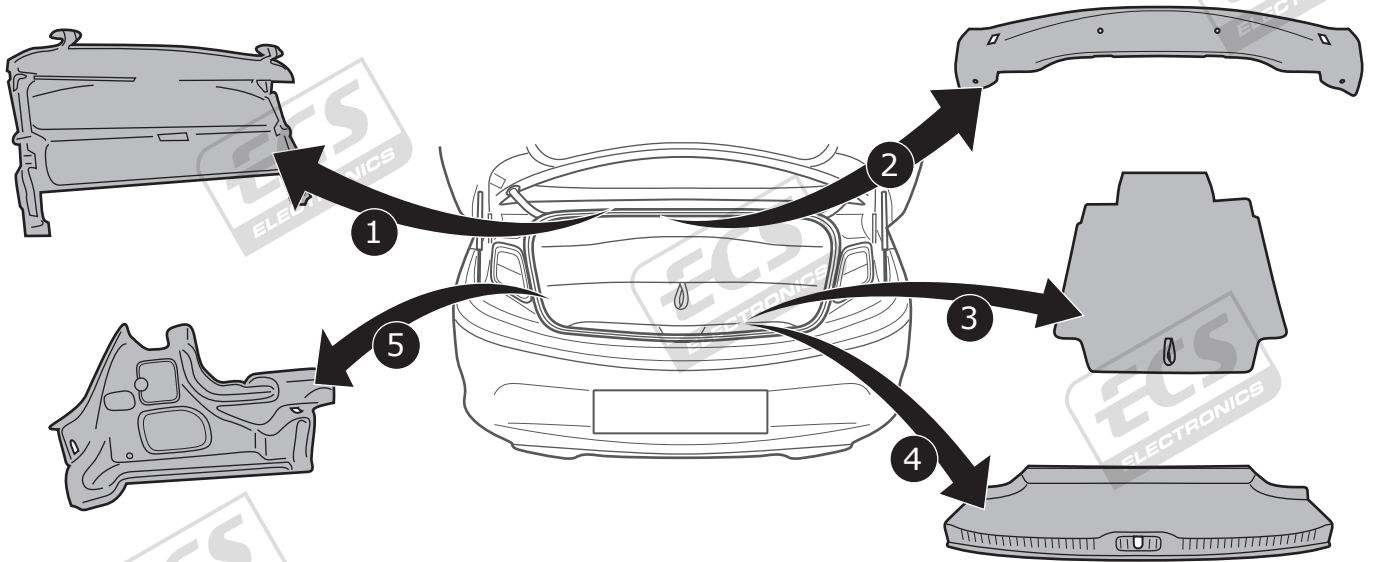
Cascada

Pag. 31

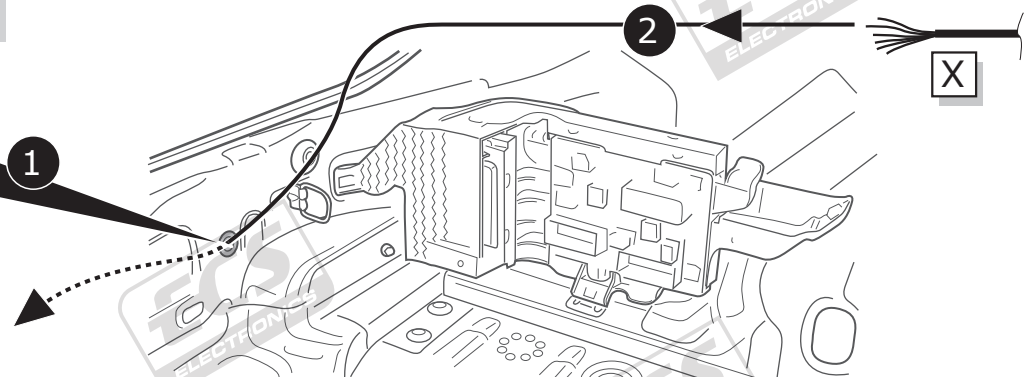
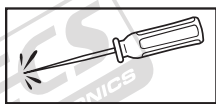
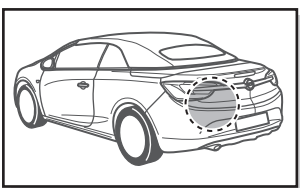
-  
Pag. 34



1



2



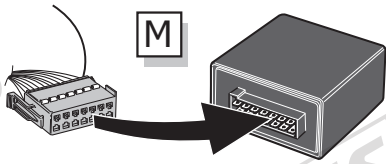
3



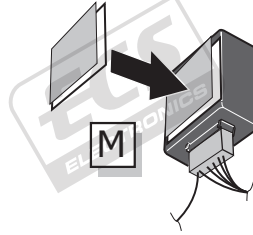
Pag. 35

4

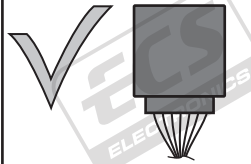
1



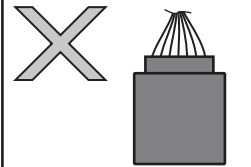
2



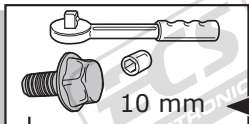
3



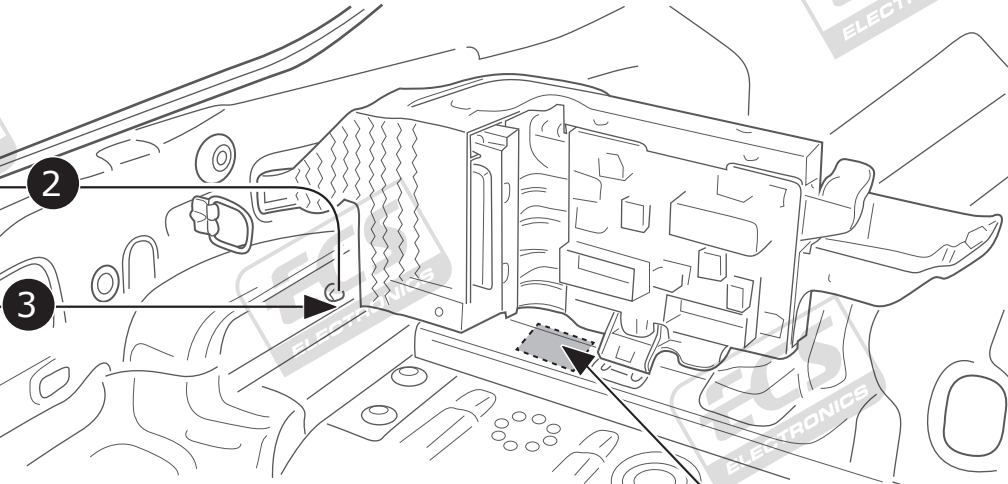
4



5



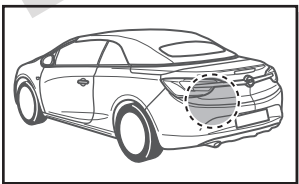
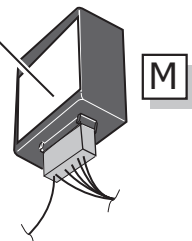
2



3

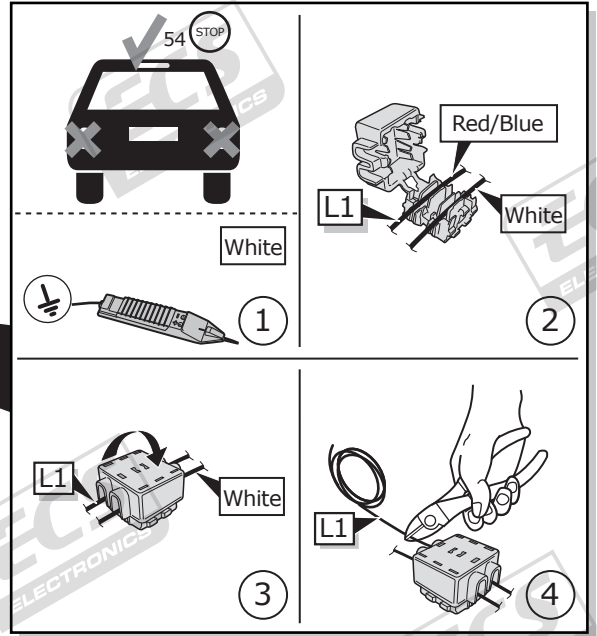
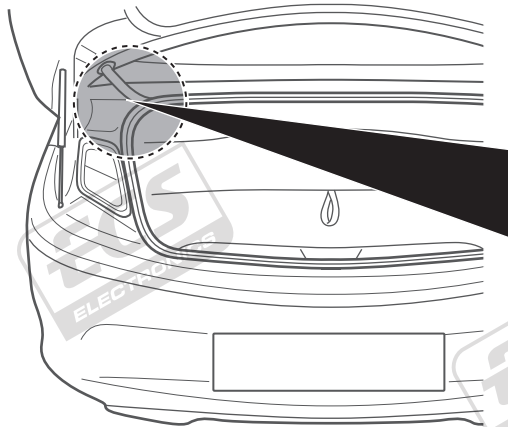
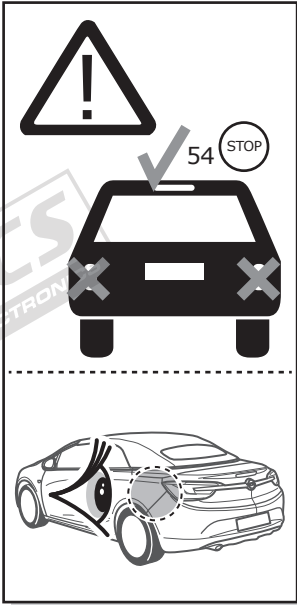


1

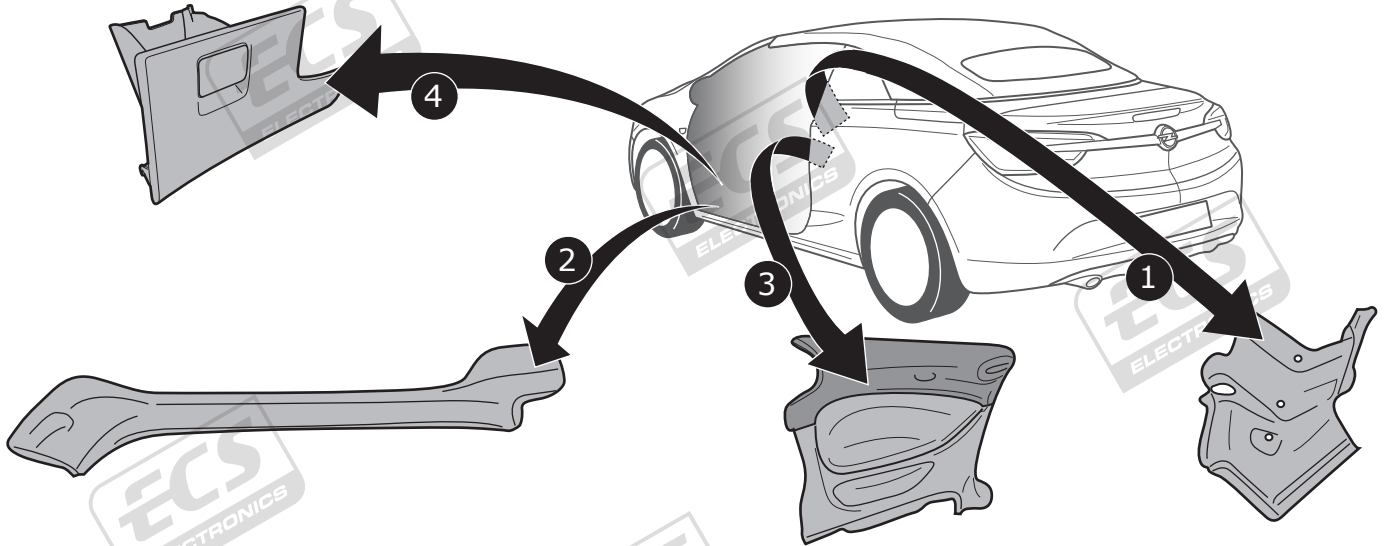




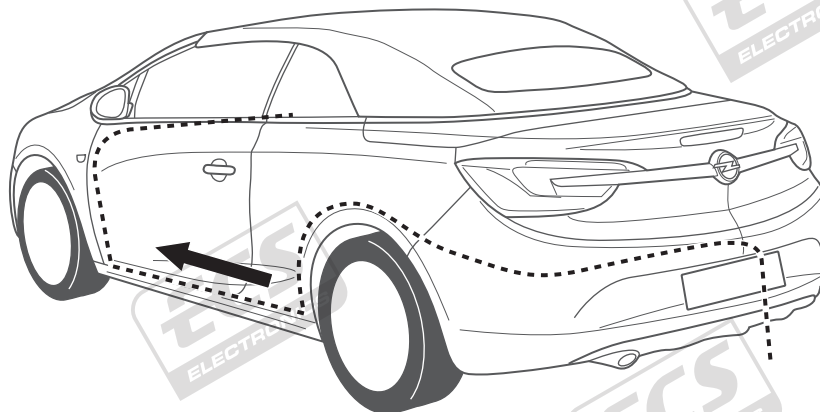
6

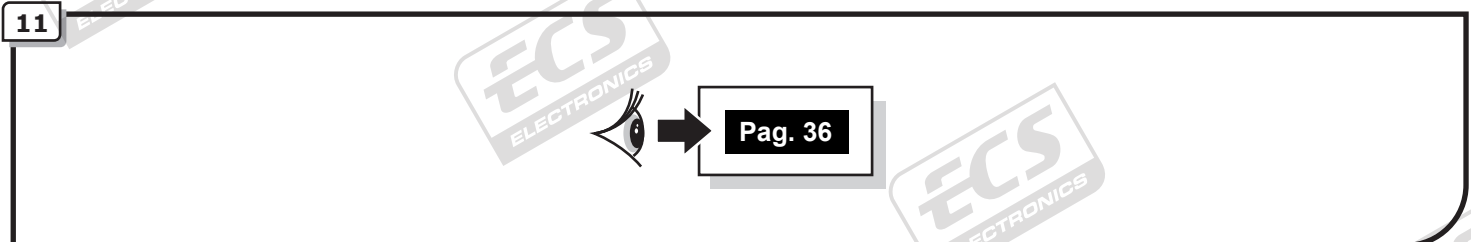
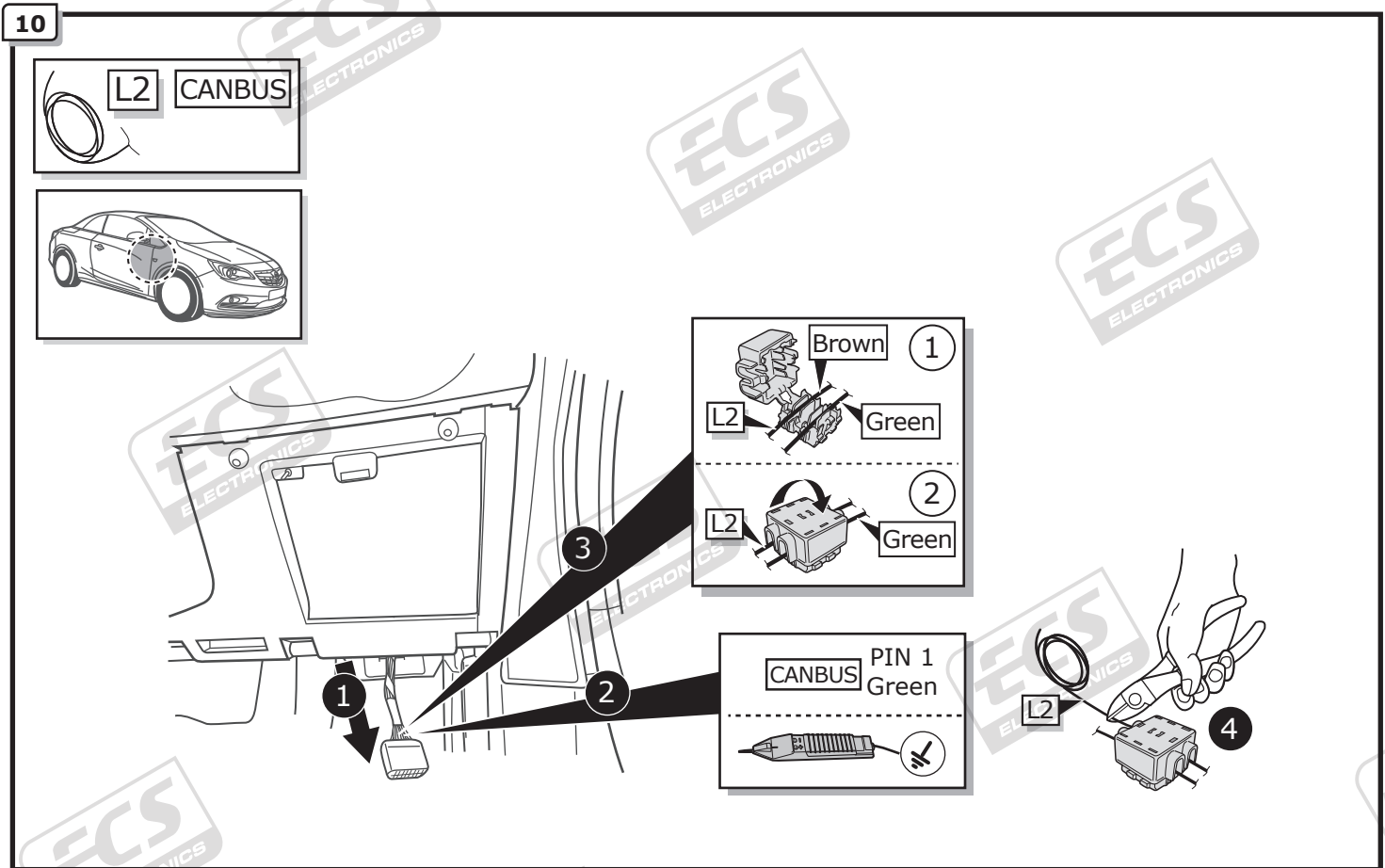
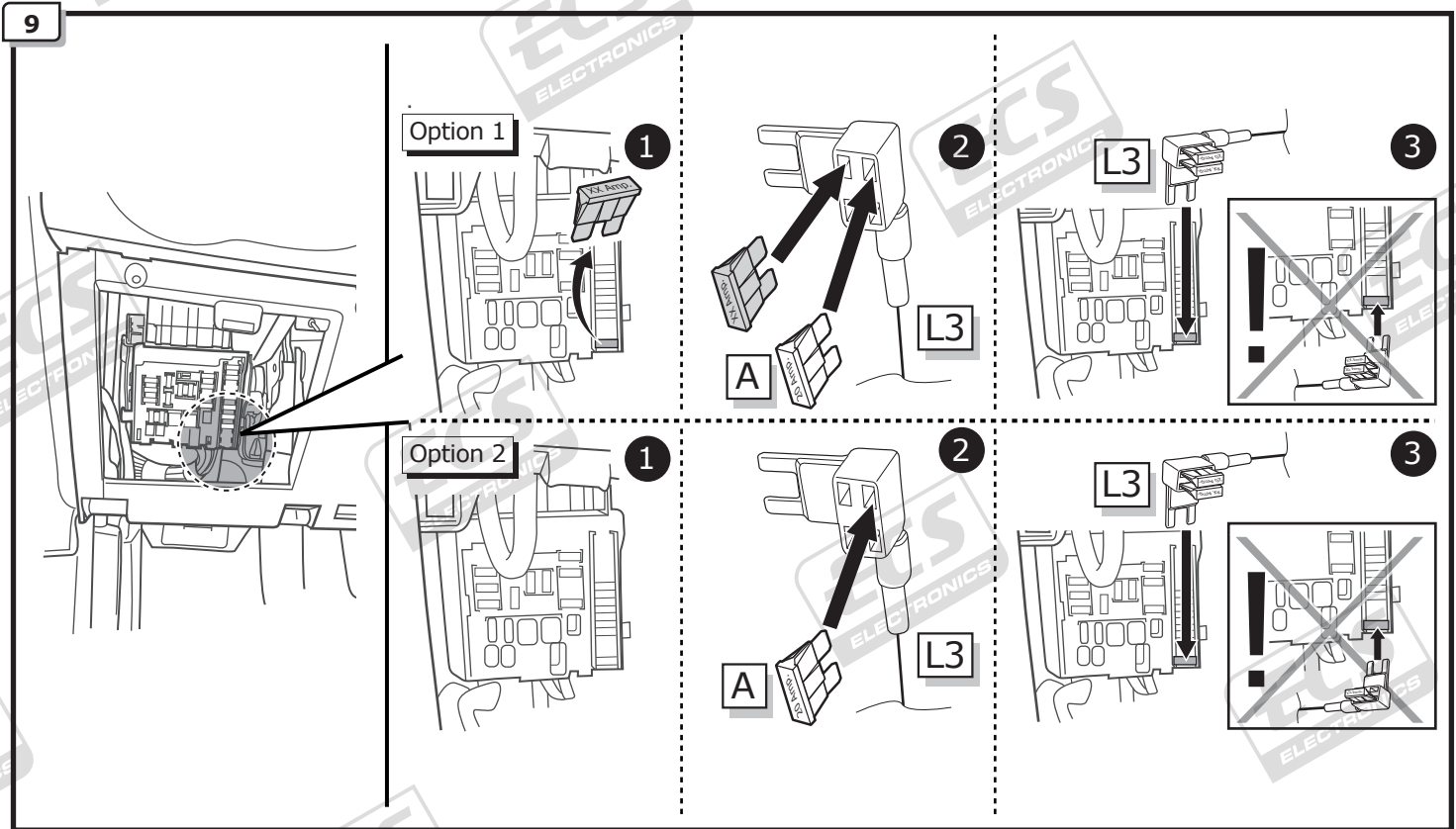


7

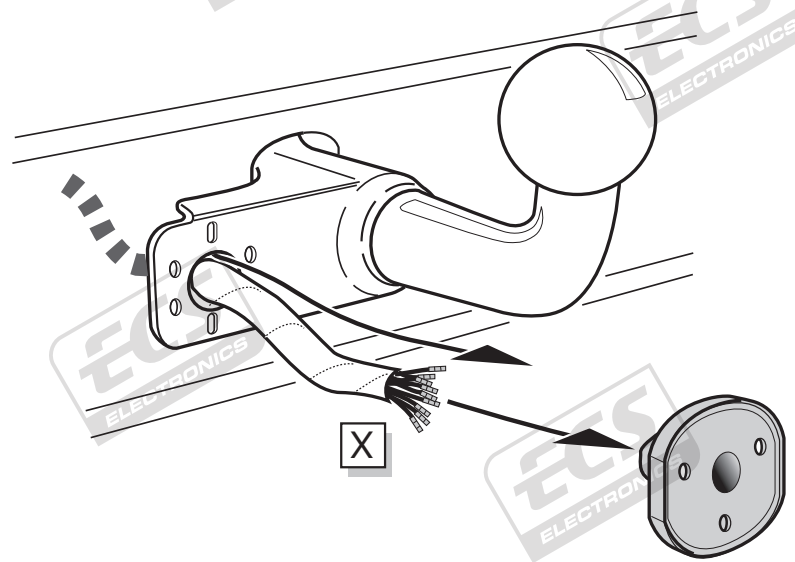


8





A



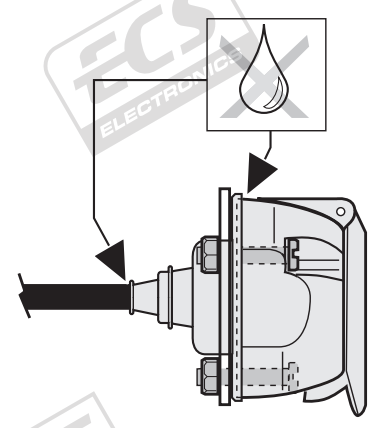
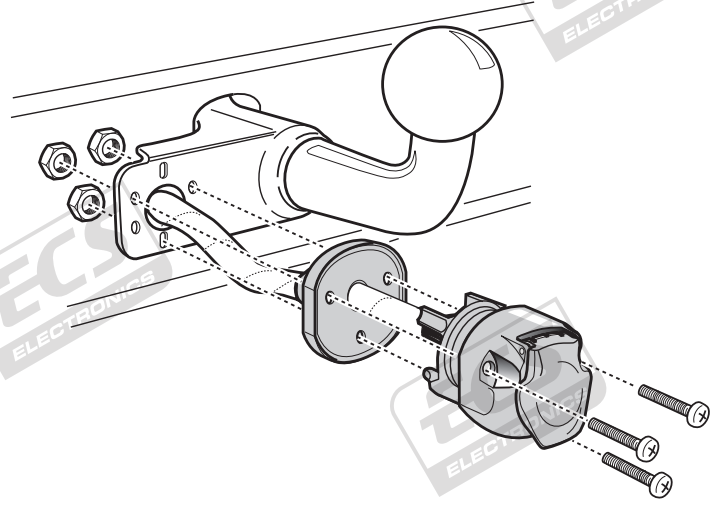
INFO

SOCKET CONNECTION

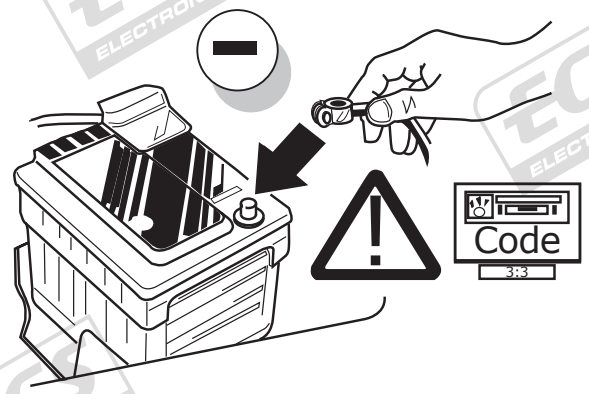


Pag. 37

B



A

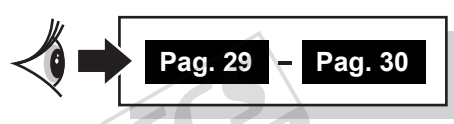


B



### Mokka

INFO



C

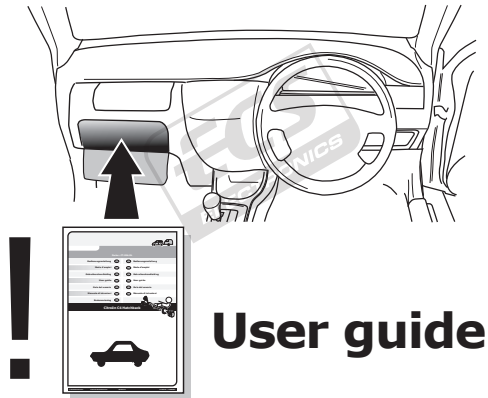


TEST ALL THE CIRCUITS WITH A TEST DEVICE WITH THE CORRECT POWER LOAD FOR EACH FUNCTION. A TEST DEVICE WITH LED'S CANNOT BE USED FOR THIS PURPOSE.

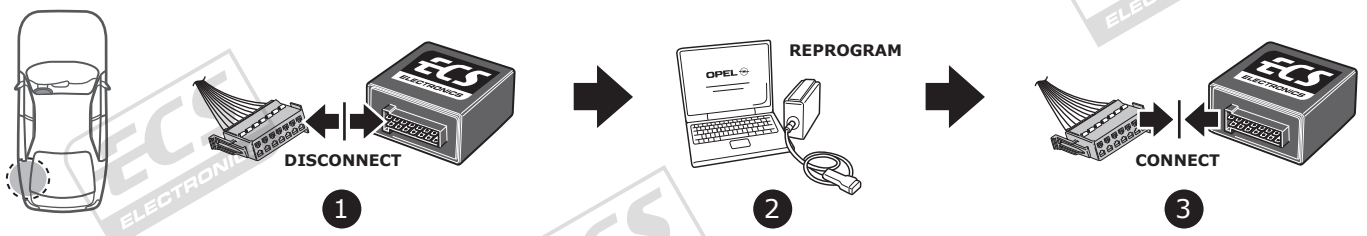
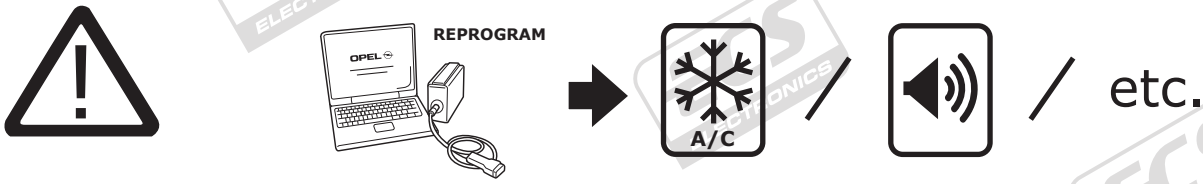
**INFO**

REINSTALL TRIM.

**D**



**INFO**



**INFO**

SOCKET CONNECTION

DIN/ISO 11446													
	1/L	2	3/31	4/R	5/58-R	6/54	7/58-L	8	9	10	11	12	13
Pmax	21W	21W		21W	42W	3x21W	42W	21W	180W/15Amp	180W/15Amp			
Colour	Yellow	Blue	White	Green	Brown	Red	Black	Black/Red	Brown/White	Red	White	-	White
						1,00 mm <sup>2</sup>				2,50 mm <sup>2</sup>			