



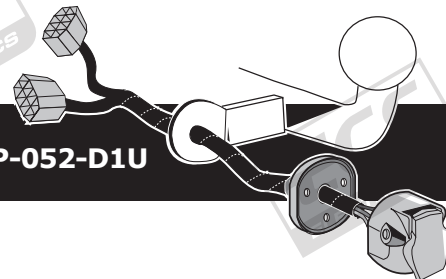
OPEL

Insignia Sedan F69 11/2008-
Insignia Hatchback F68 11/2008-
Insignia Sports Tourer F35 11/2008-

CHEVROLET

Aveo HB MY 2012-
Aveo SDN MY 2012-
Cruze HB MY 2012-
Cruze NB MY 2010-

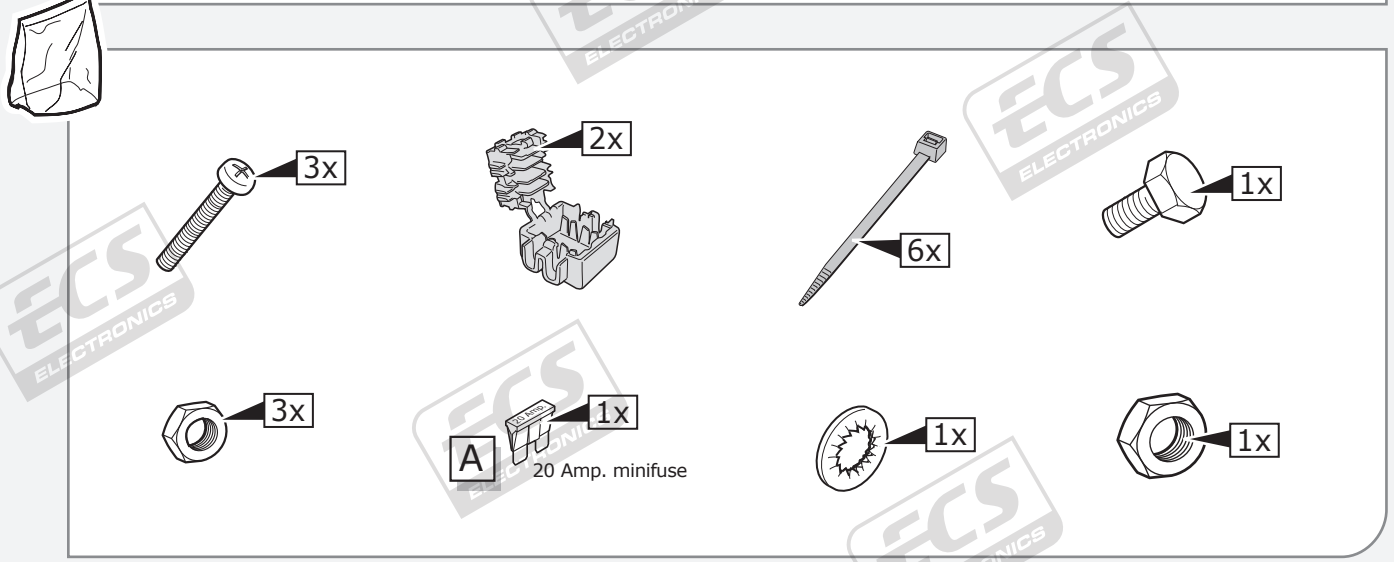
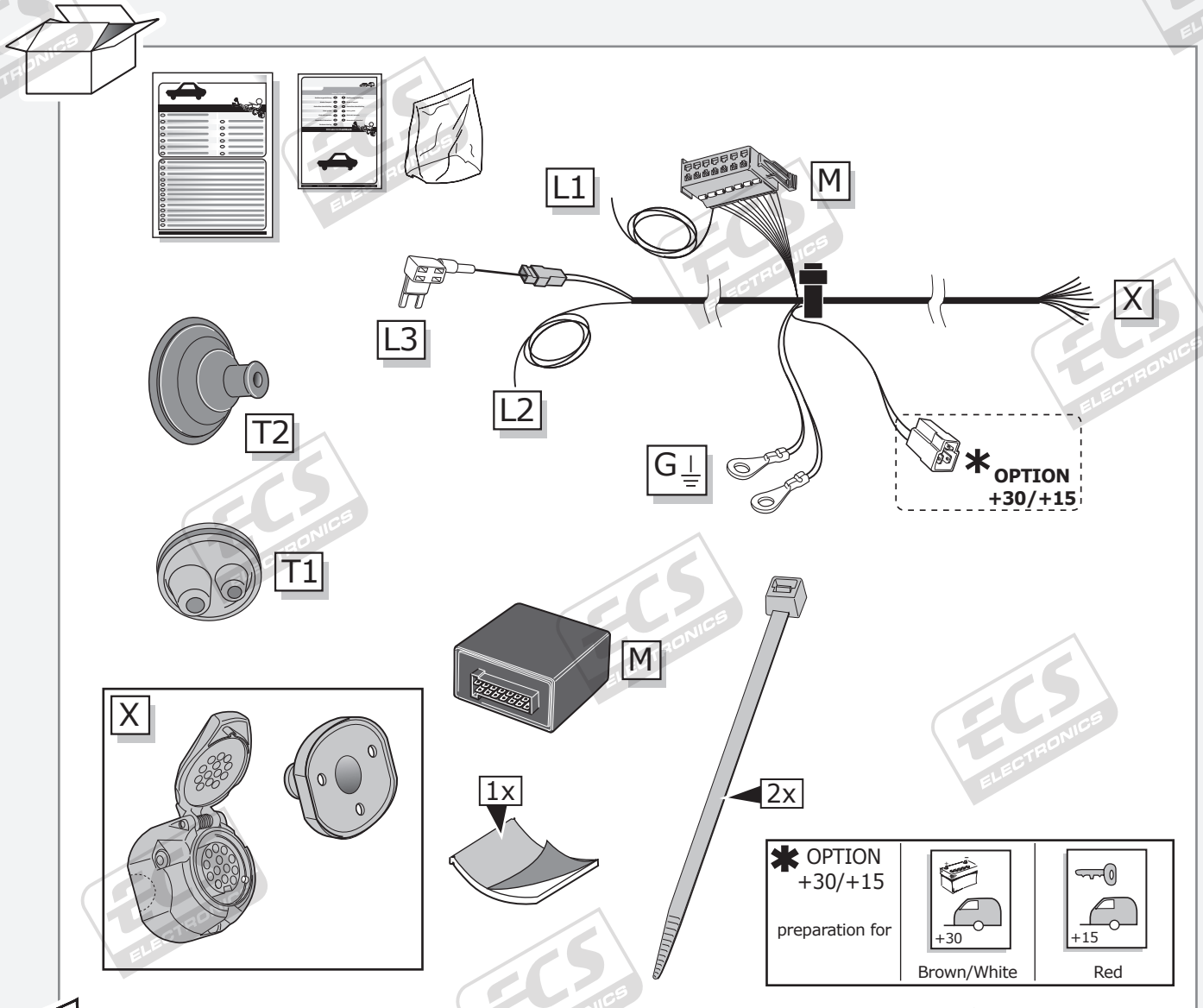
Partnr.: OP-052-D1U

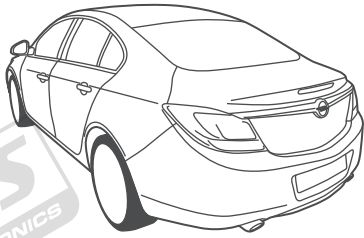


- Fitting instructions electric wiring kit tow bar with 13-P socket up to DIN/ISO Norm 11446.
- We would expressly point out that assembly not carried out properly by a competent installer will result in cancellation of any right to damage compensation, in particular those arising by virtue of the product liability act.
- Contents of these kits and their fitting manuals are subject to alteration without notice, please ensure that these instructions are read and fully understood before commencing installation.
- Do not overload circuits; the maximum loads per connection are detailed in this manual.
- Attention! Before Installation, please read this manual carefully and inform your customer to consult the vehicle owners manual to check for any vehicle modifications required before towing.
- In the event of functional problems, troubleshooting must be limited to about 0.5 hours, contact the technical support:
t.skinner@ecs-electronics.com / 07440 202 052.



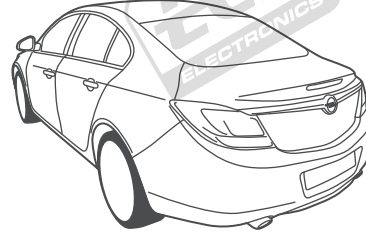
Part list





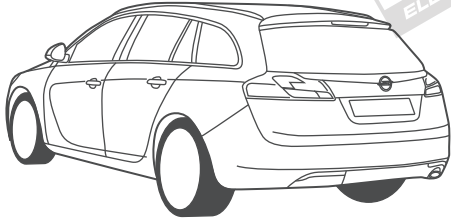
Insignia SD

Pag. 4
-
Pag. 8



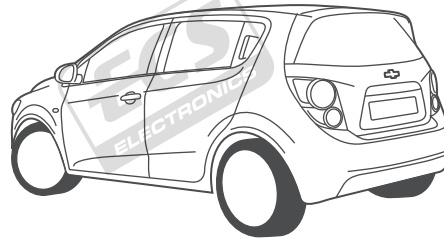
Insignia HB

Pag. 9
-
Pag. 12



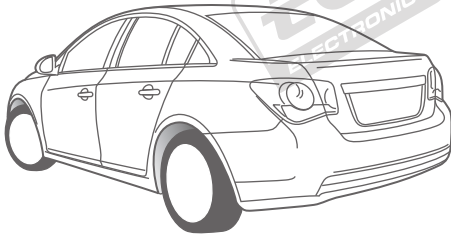
Insignia ST

Pag. 13
-
Pag. 17



Aveo HB

Pag. 18
-
Pag. 20



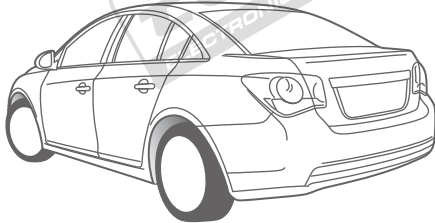
Aveo SD

Pag. 21
-
Pag. 23



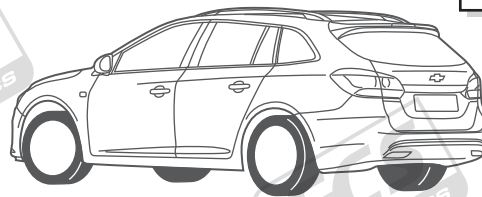
Cruze HB

Pag. 24
-
Pag. 26



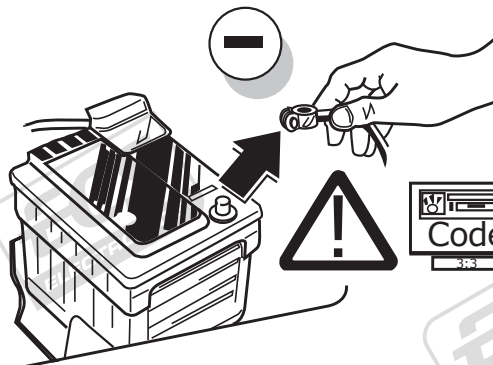
Cruze NB

Pag. 27
-
Pag. 30



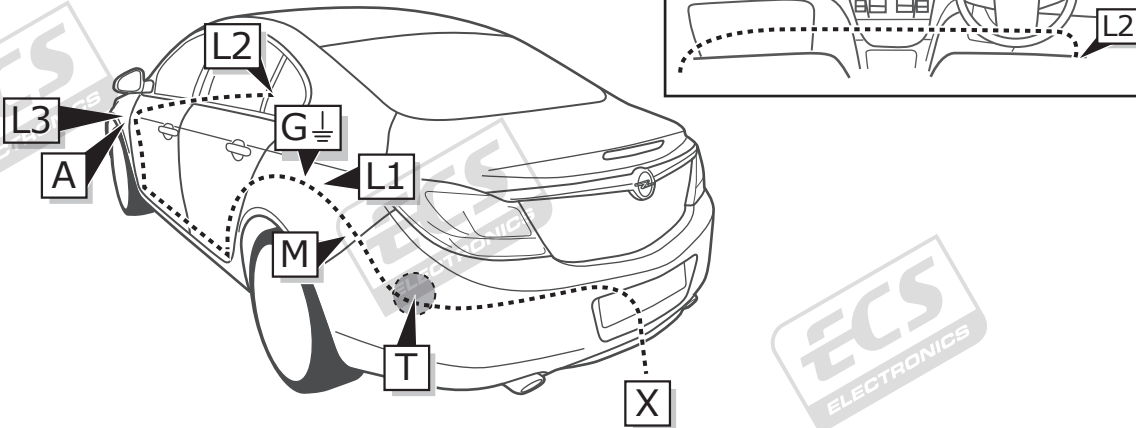
Cruze SW

Pag. 31
-
Pag. 33



Insignia SD

INFO

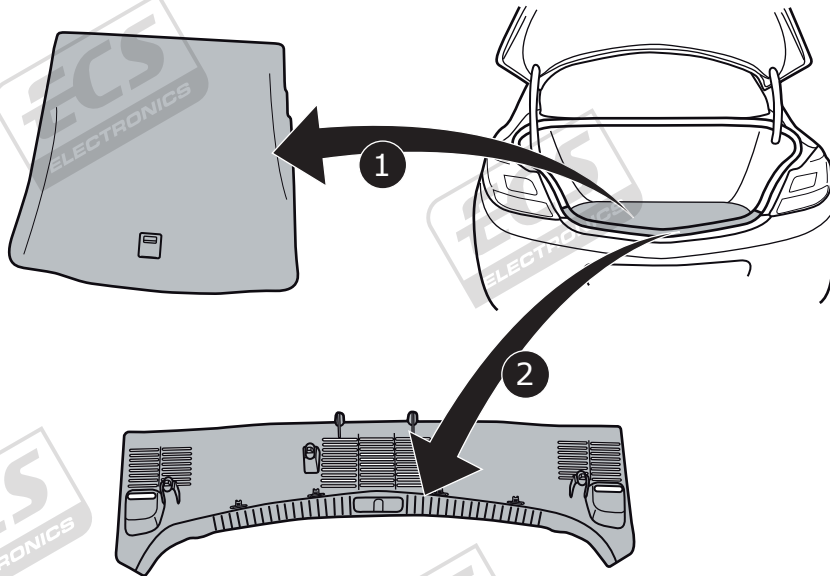


Insignia SD

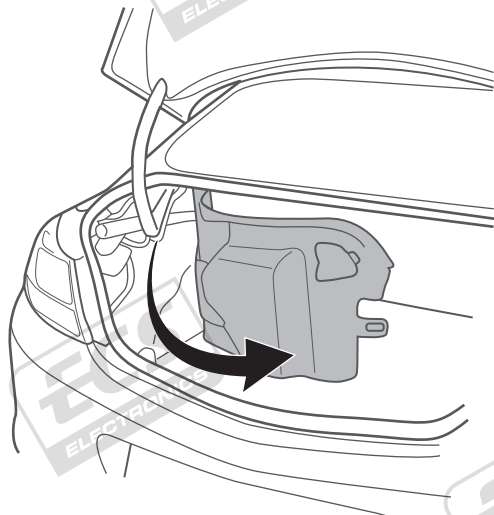
Pag. 4

-
Pag. 8

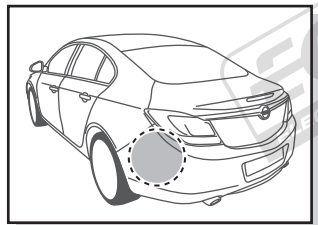
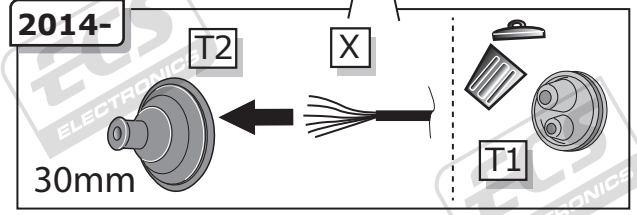
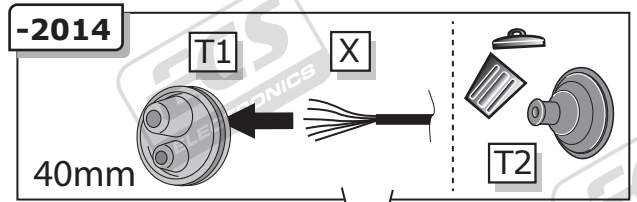
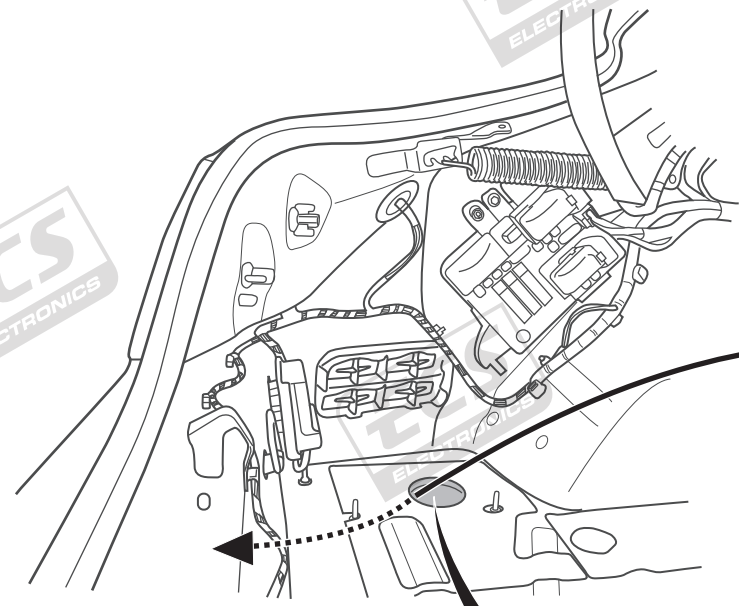
1



2



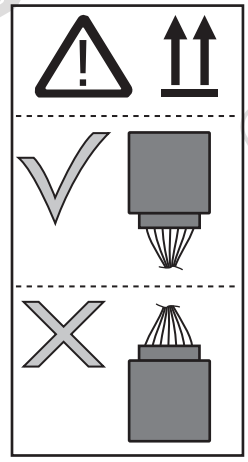
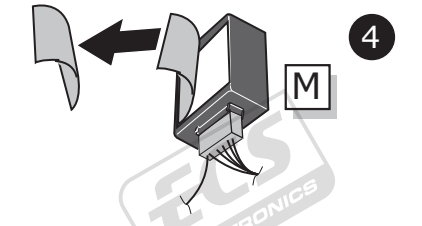
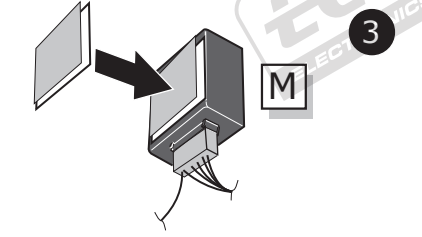
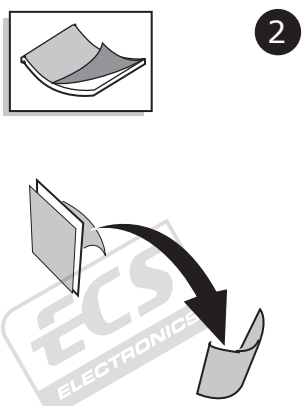
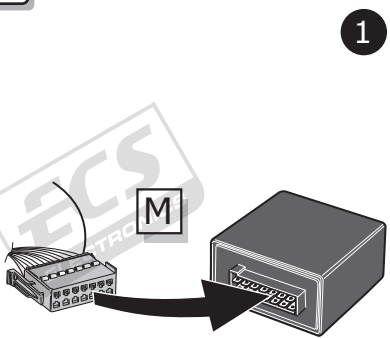
3



4

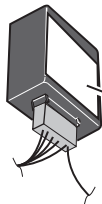


5



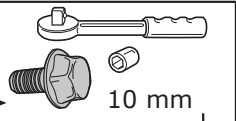
6

M

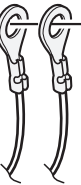


1

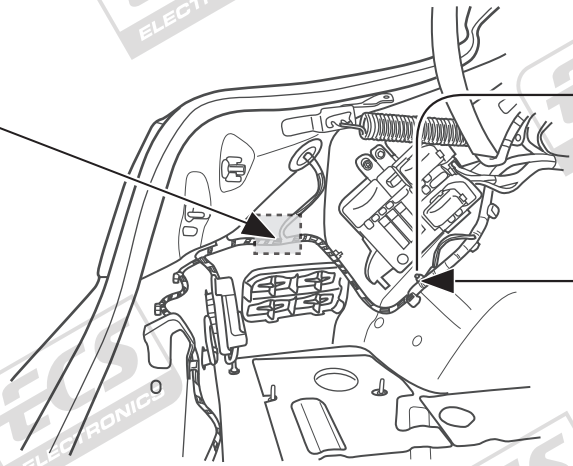
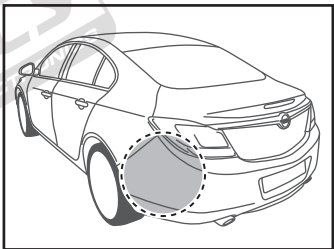
2



3



G



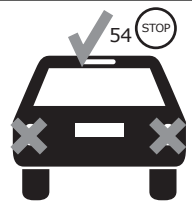
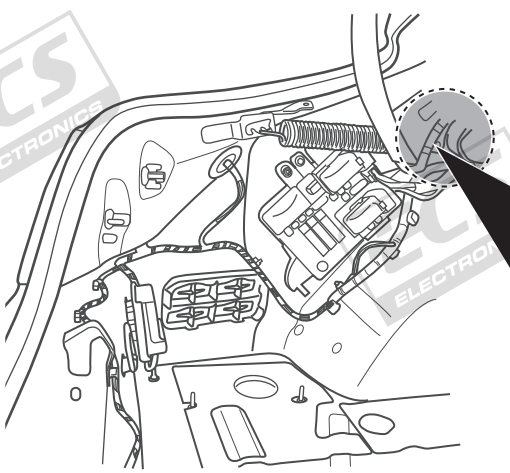
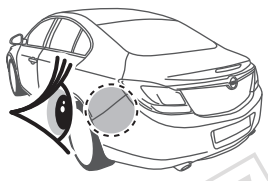
7

-2014

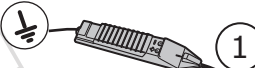
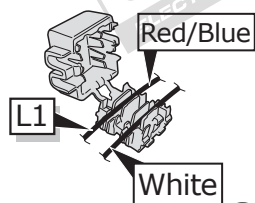
L1



54 STOP

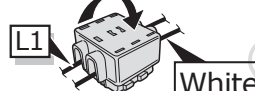


White



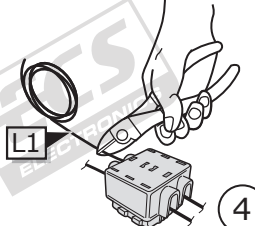
1

2



White

3



4

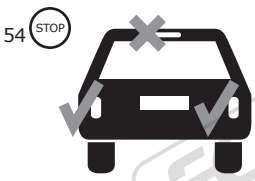
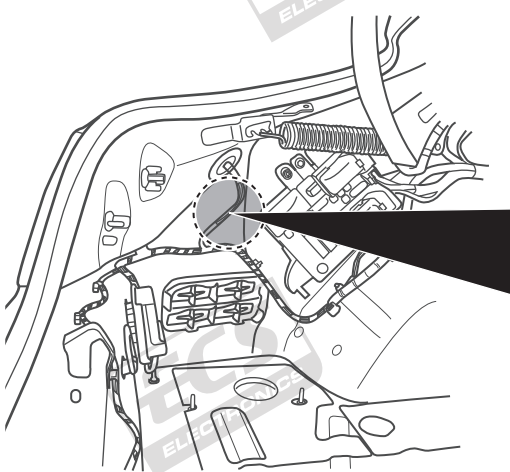
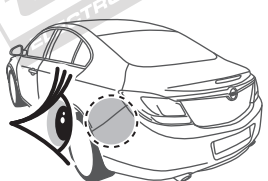
8

2014-

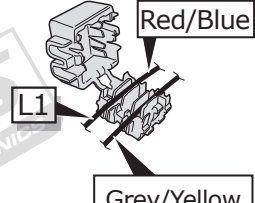
L1



54 STOP

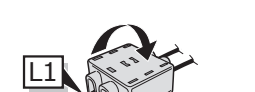


Grey/Yellow



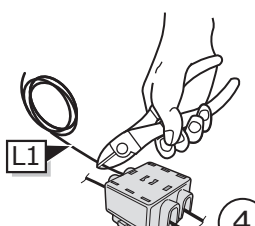
1

2

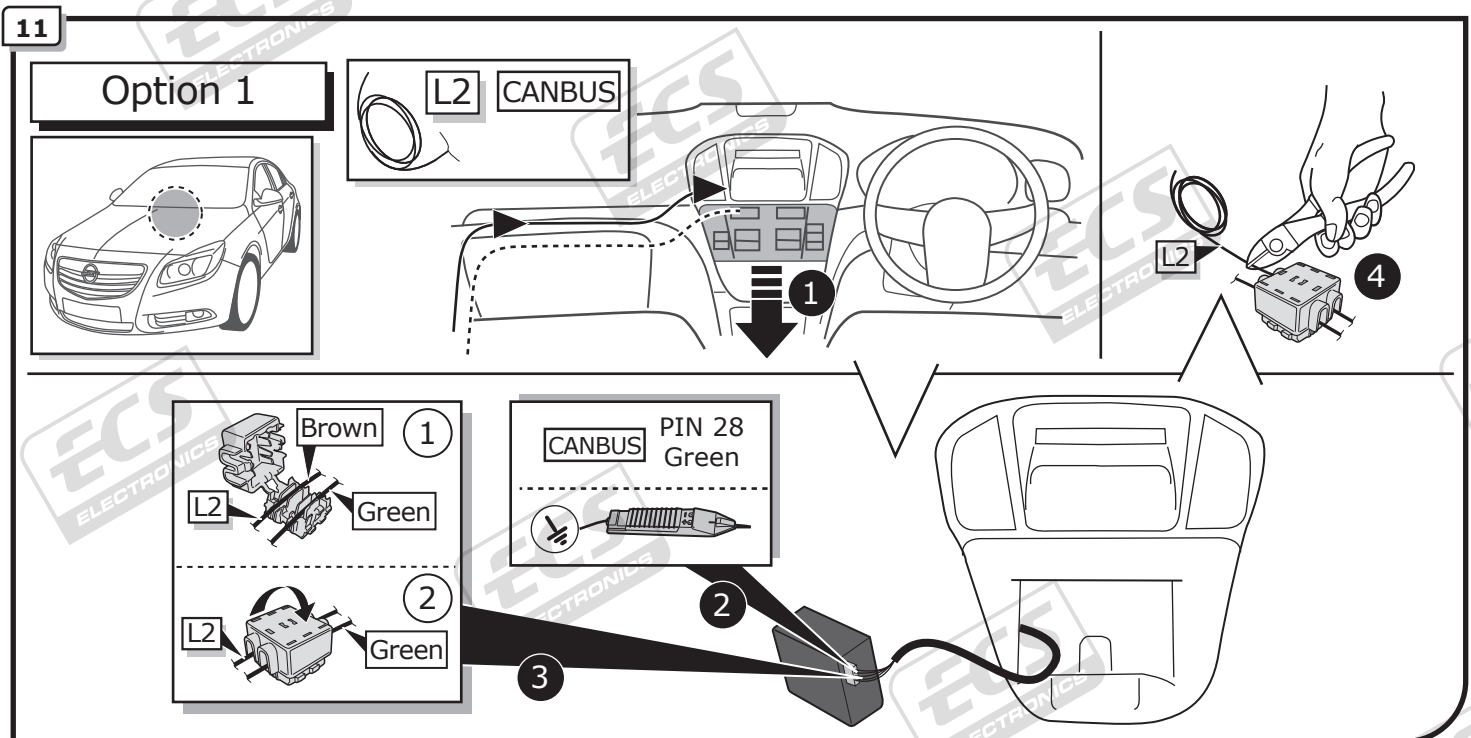
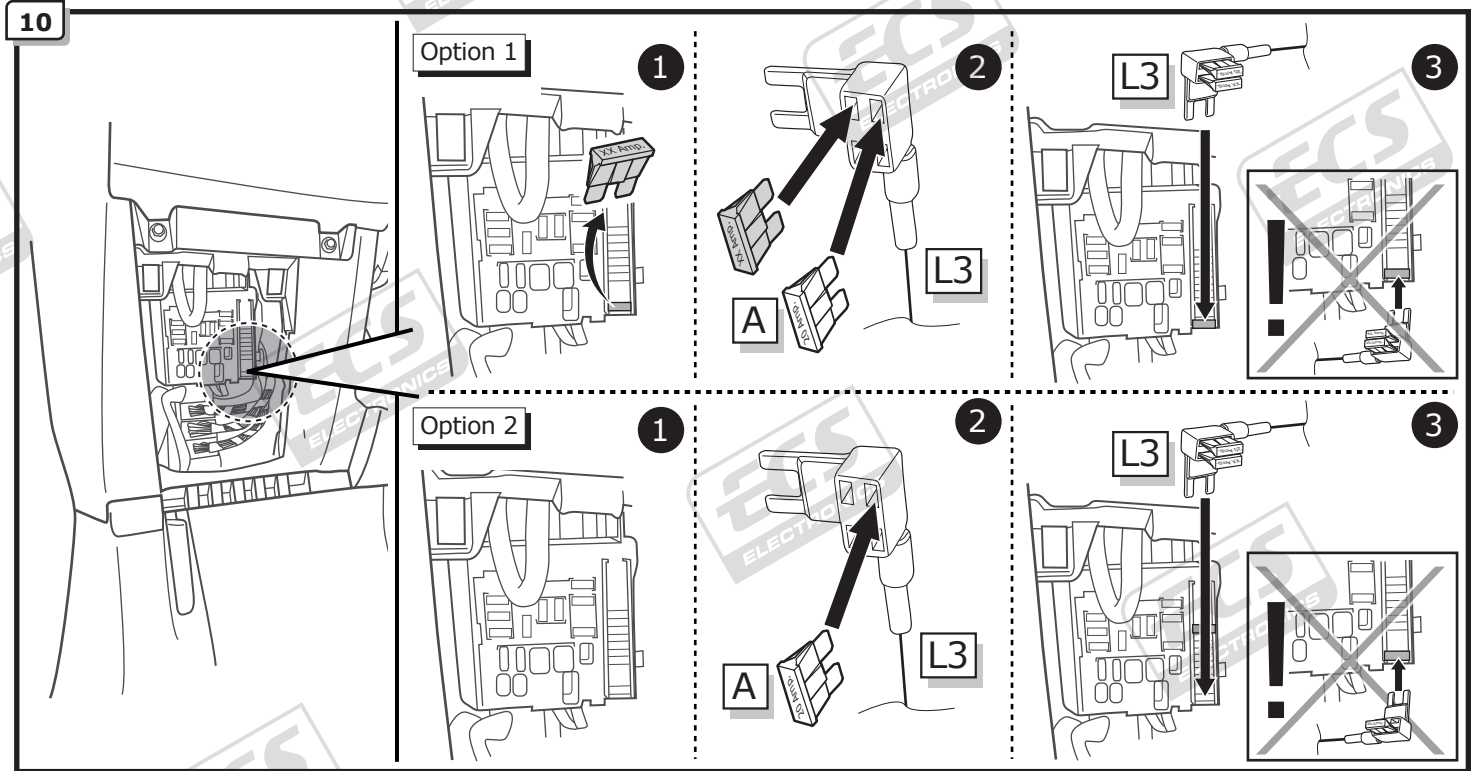
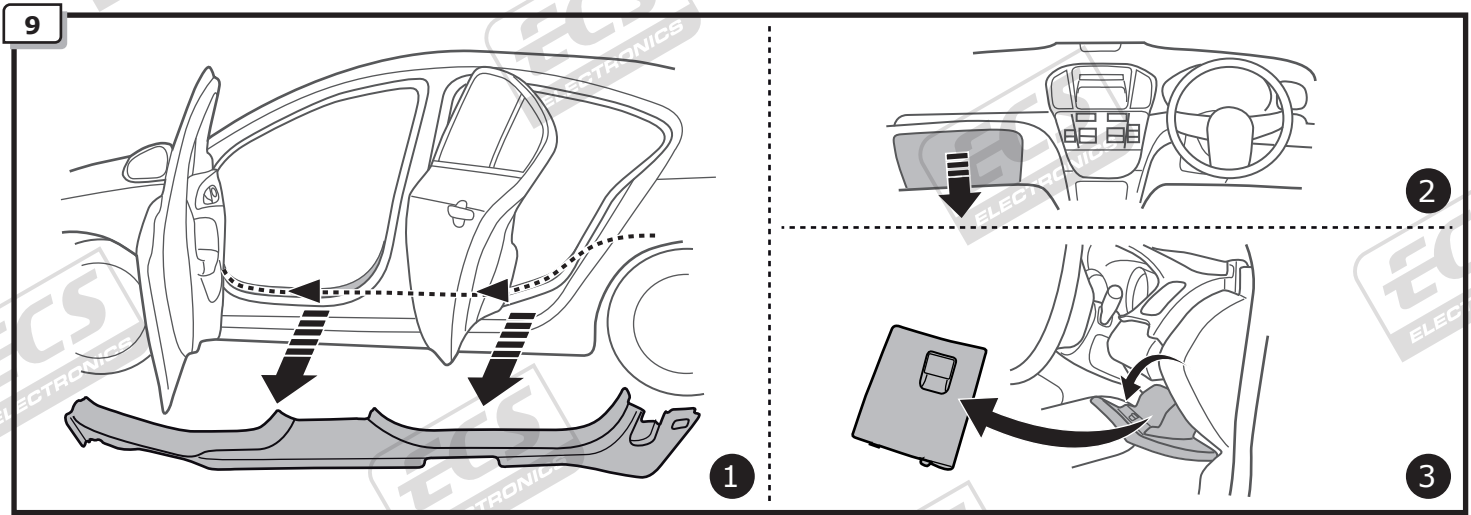


Grey/Yellow

3

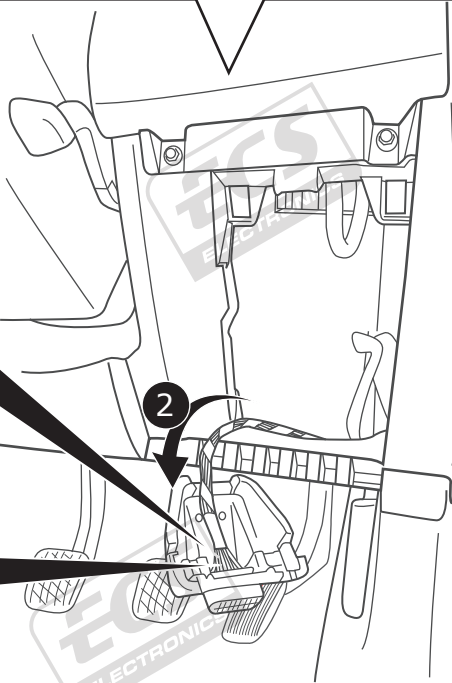
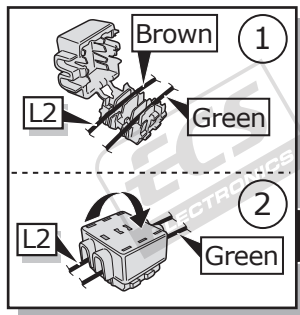
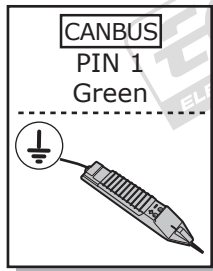
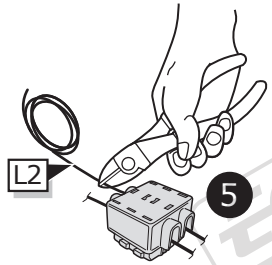
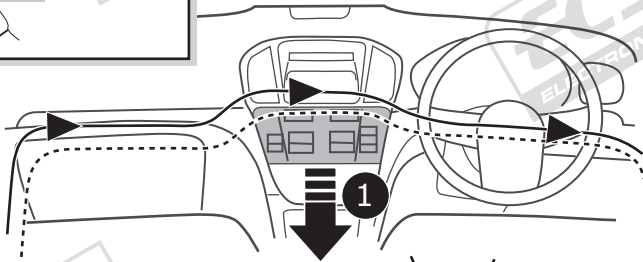
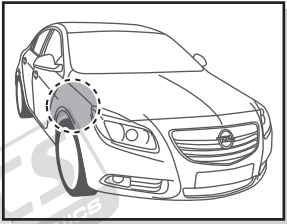


4



12

Option 2

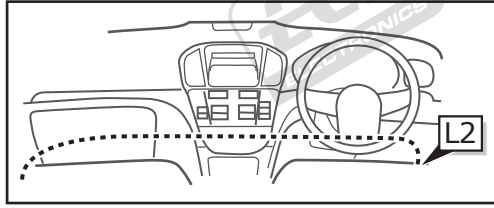
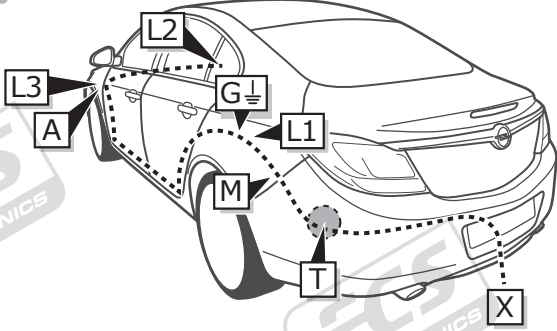


13



Insignia HB

INFO

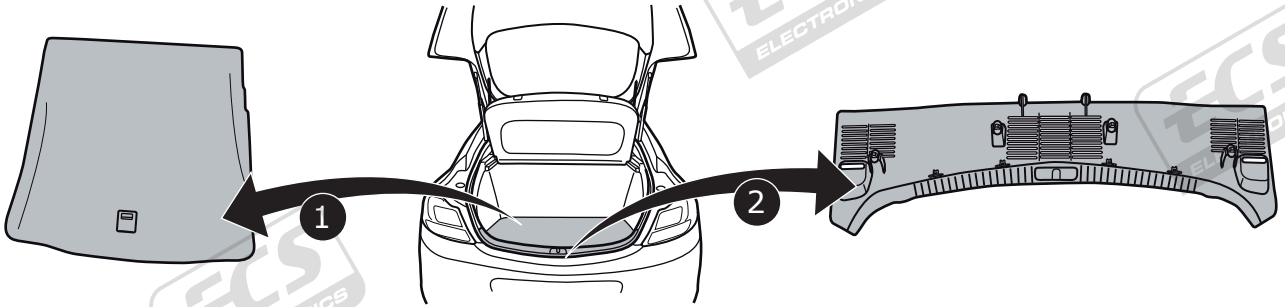


Insignia HB

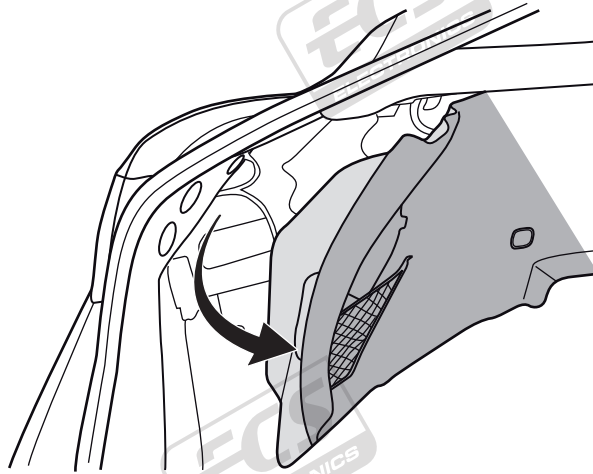
Pag. 9

-
Pag. 12

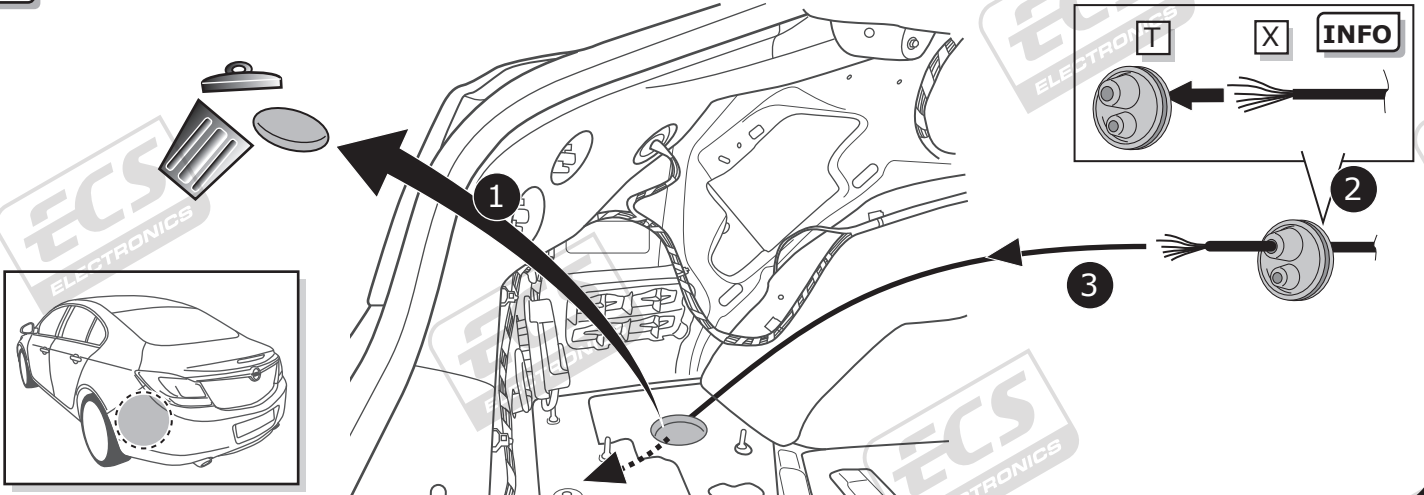
1



2



3

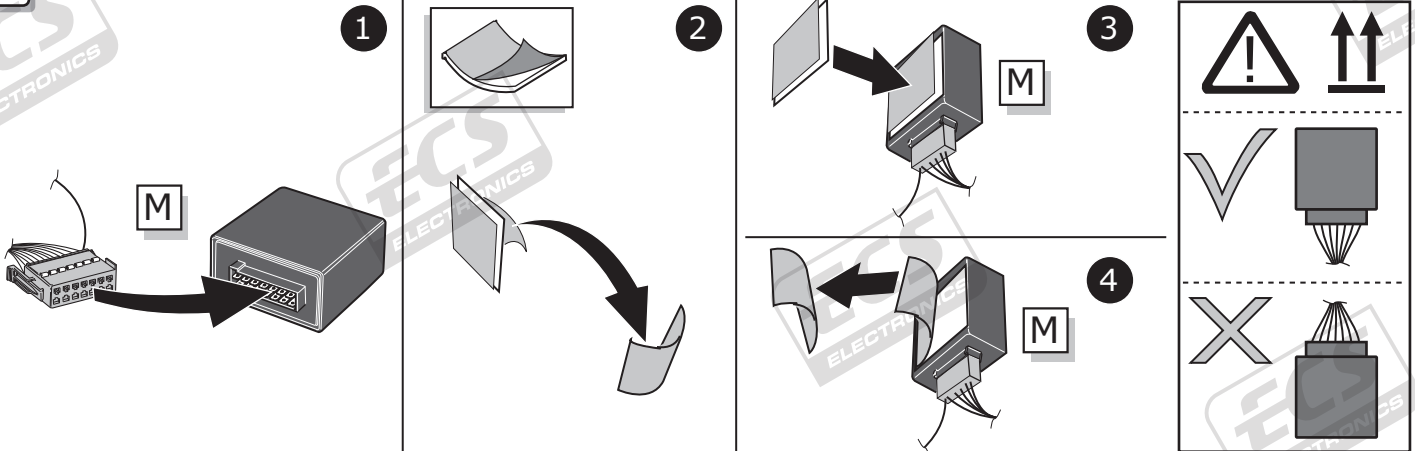


4

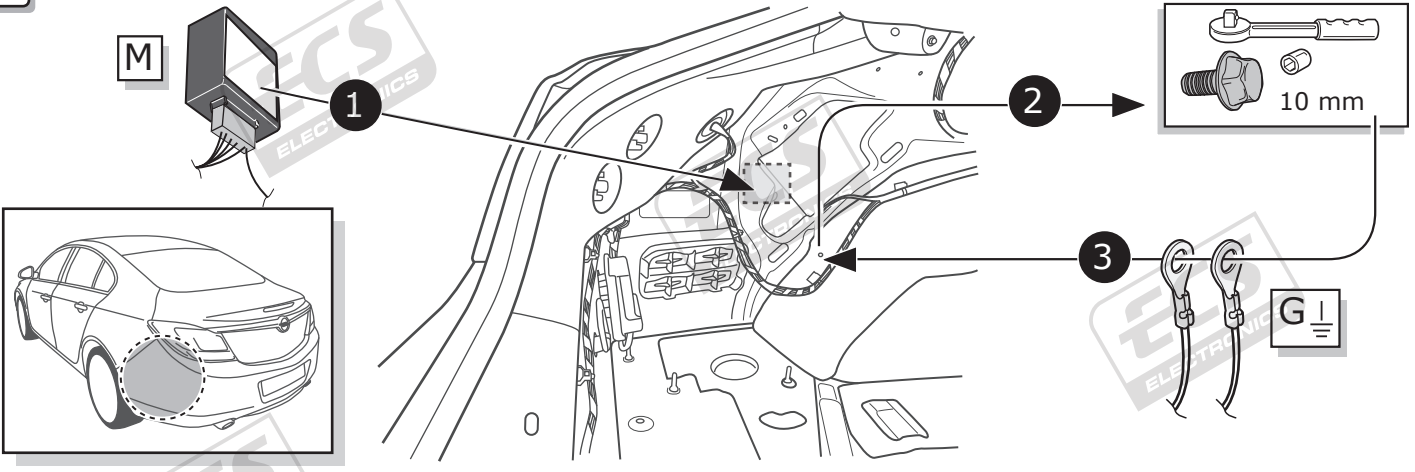


Pag. 34

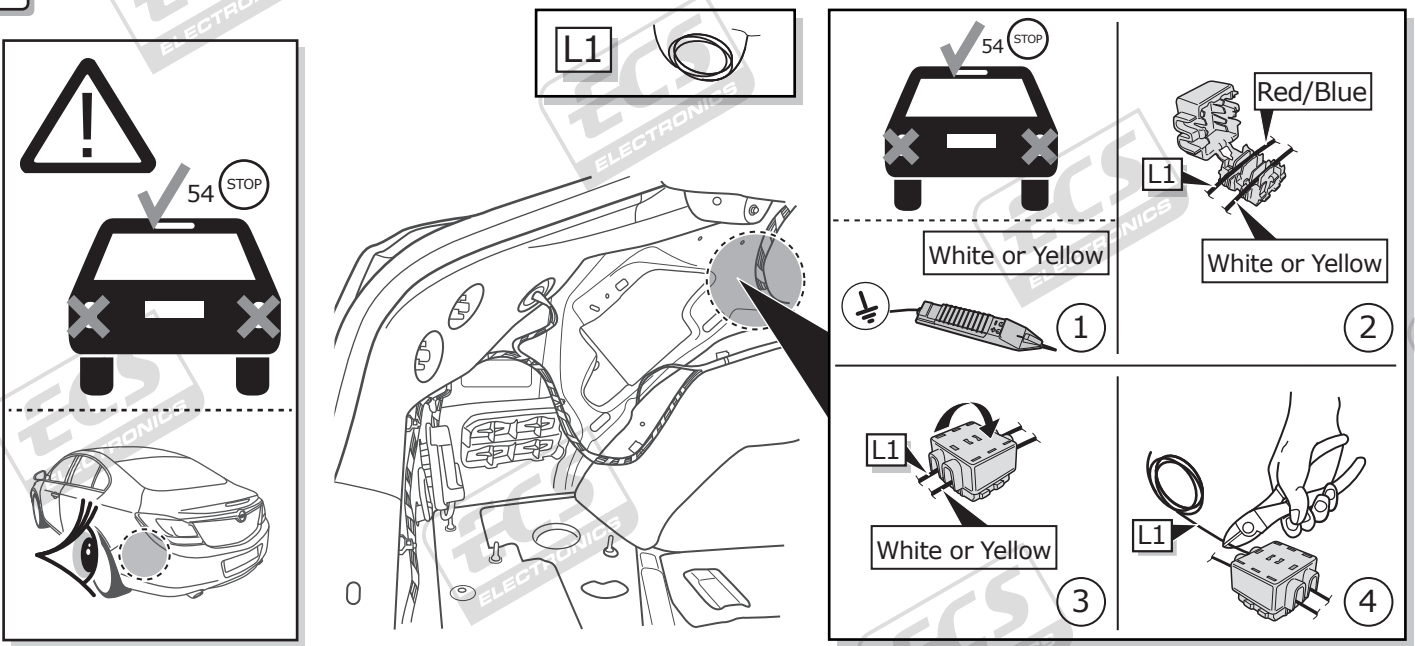
5

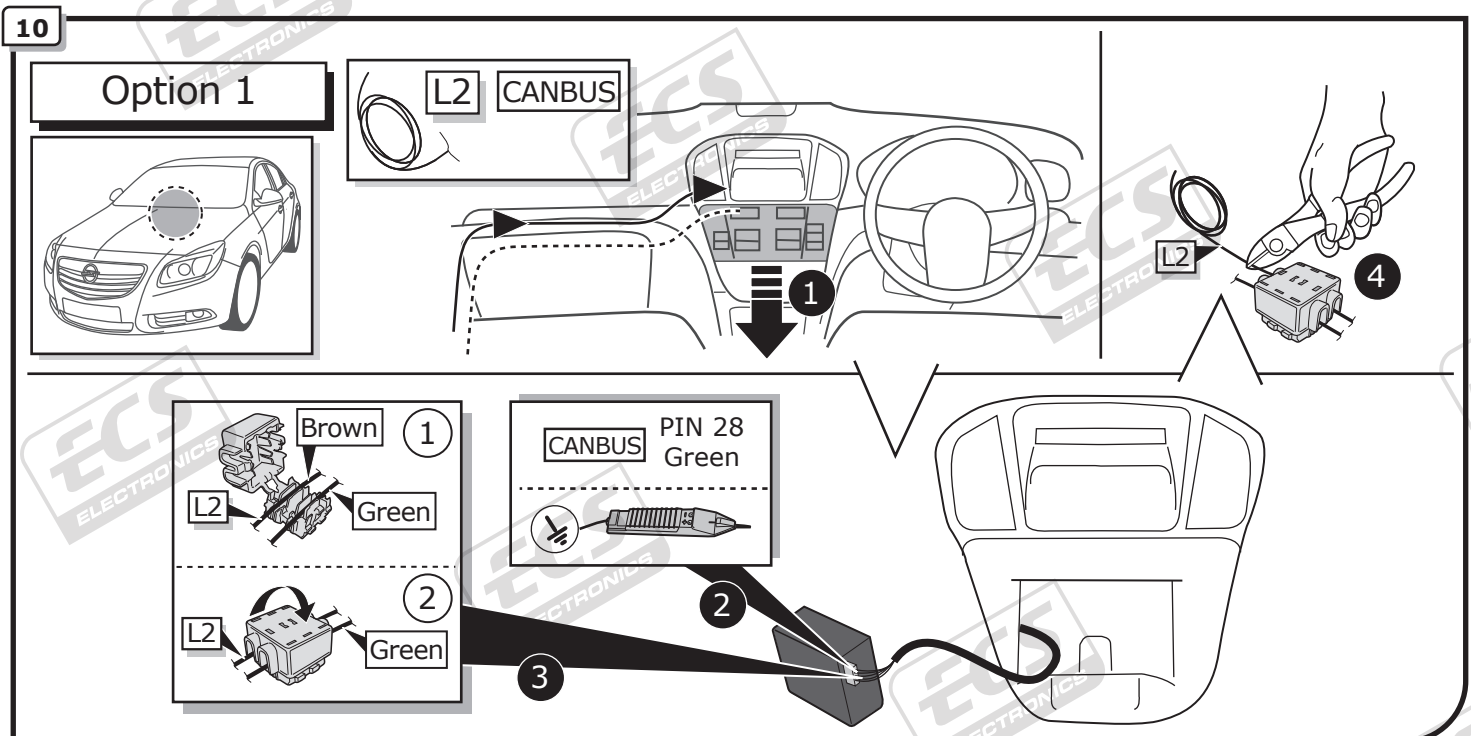
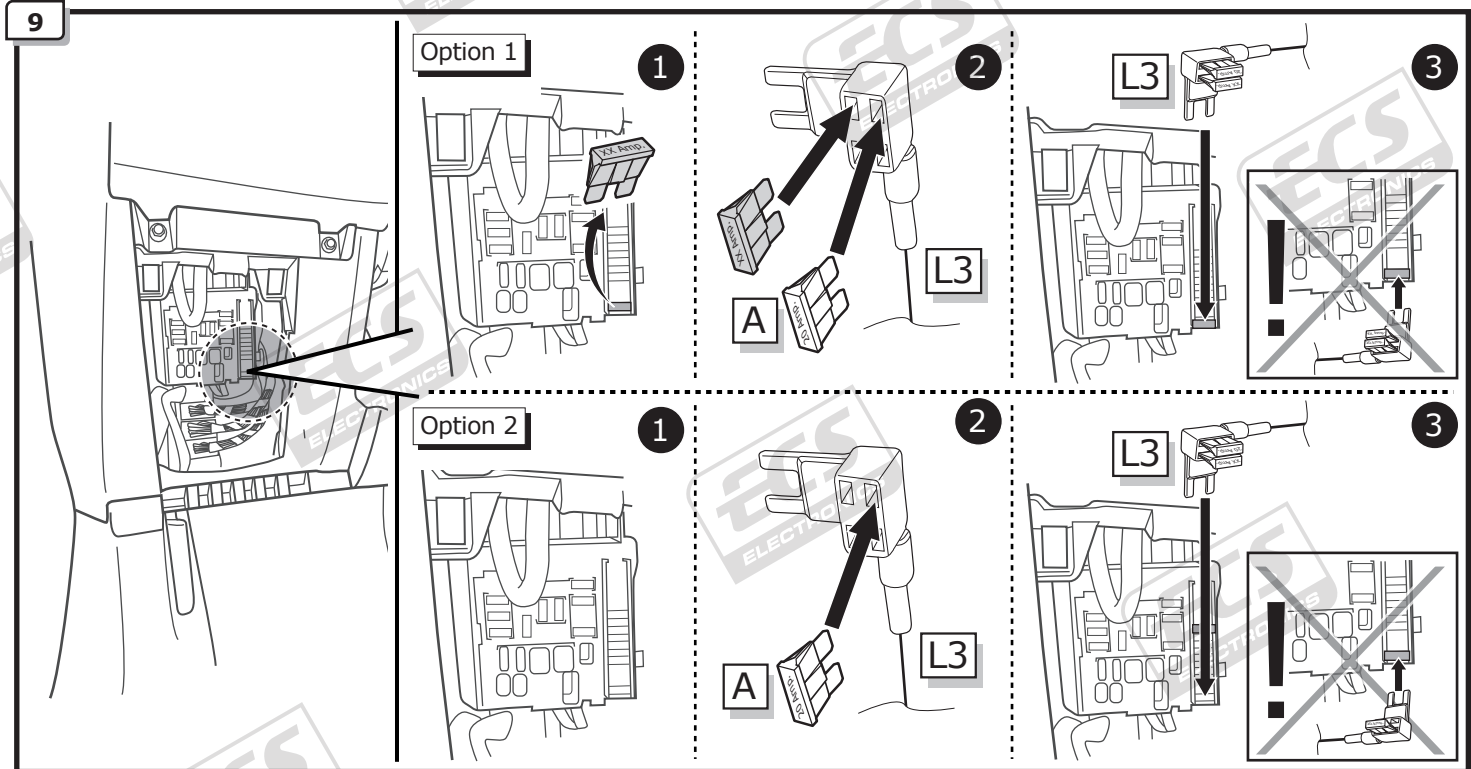
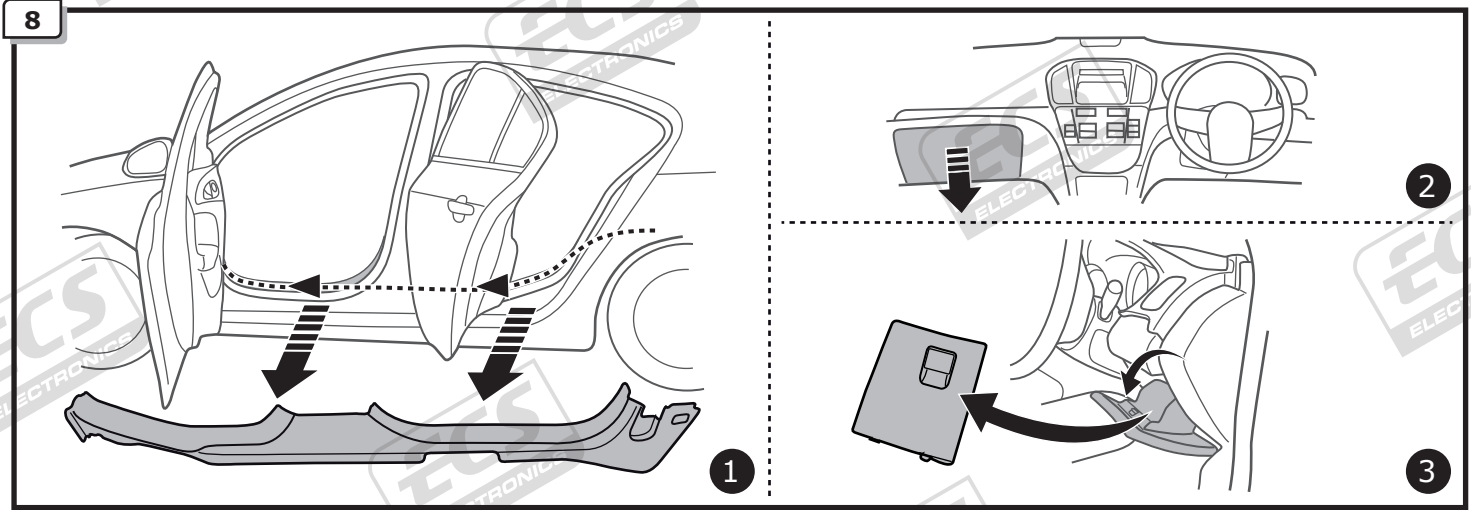


6



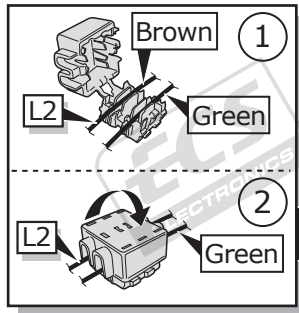
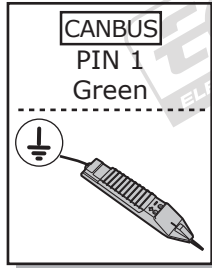
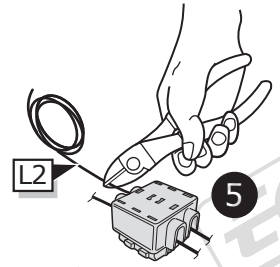
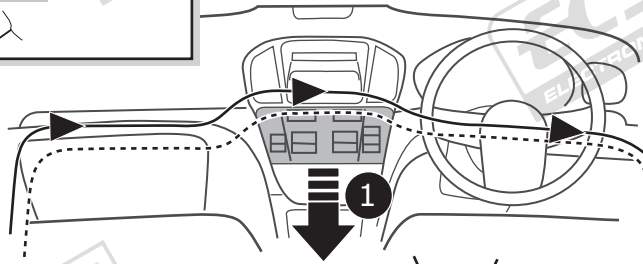
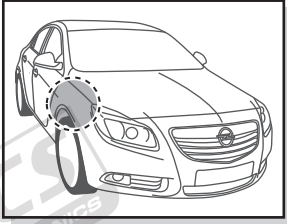
7





11

Option 2



3

2

4

12

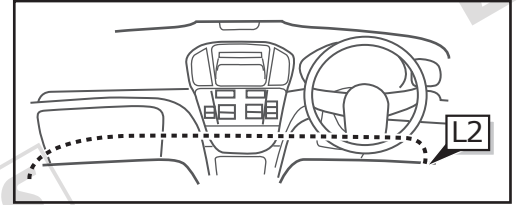
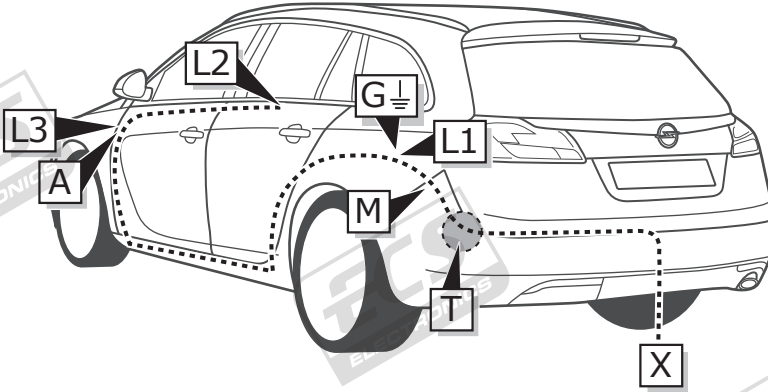


INFO

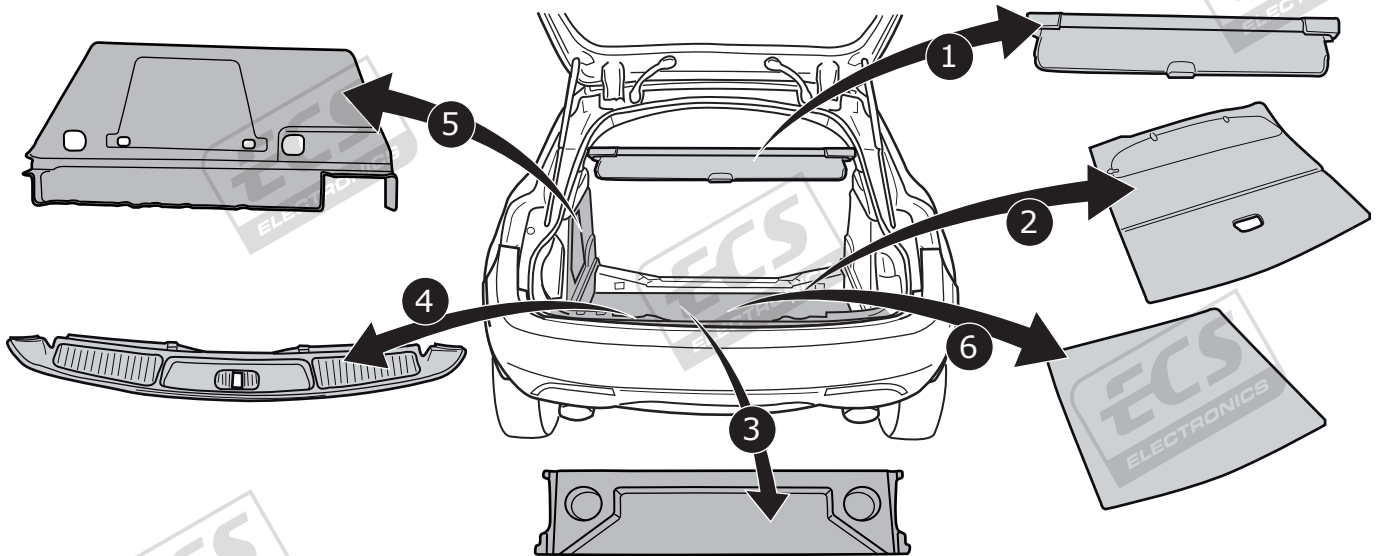
Insignia ST

Pag. 13

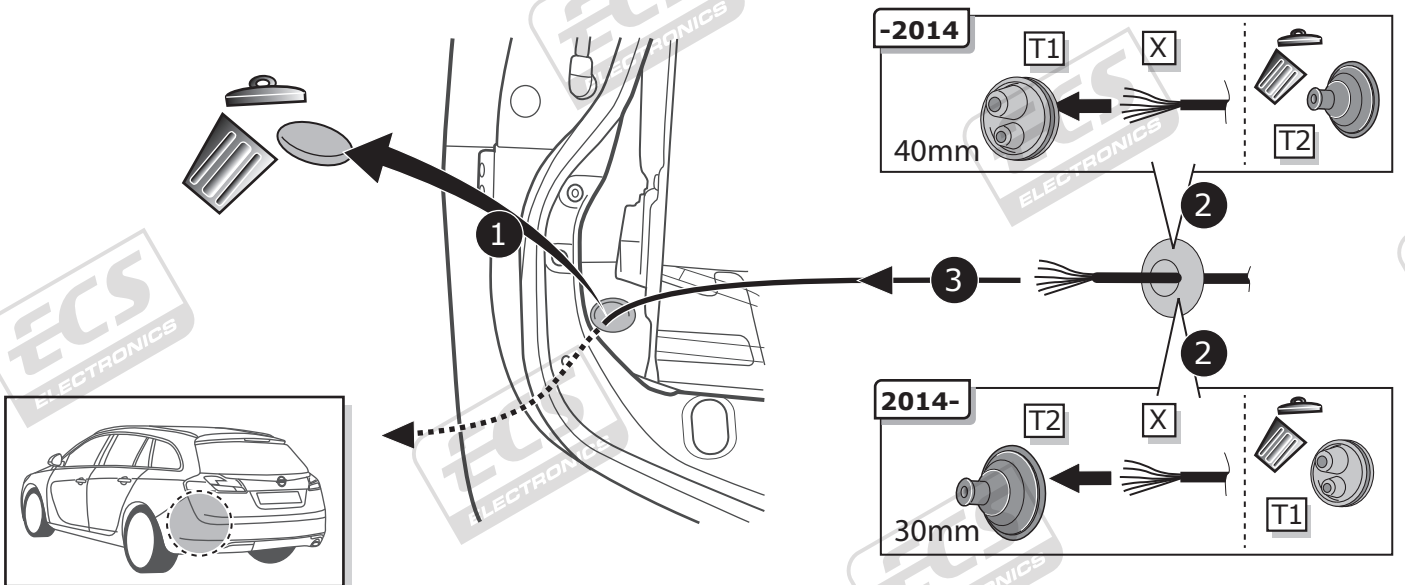
-
Pag. 17



1



2

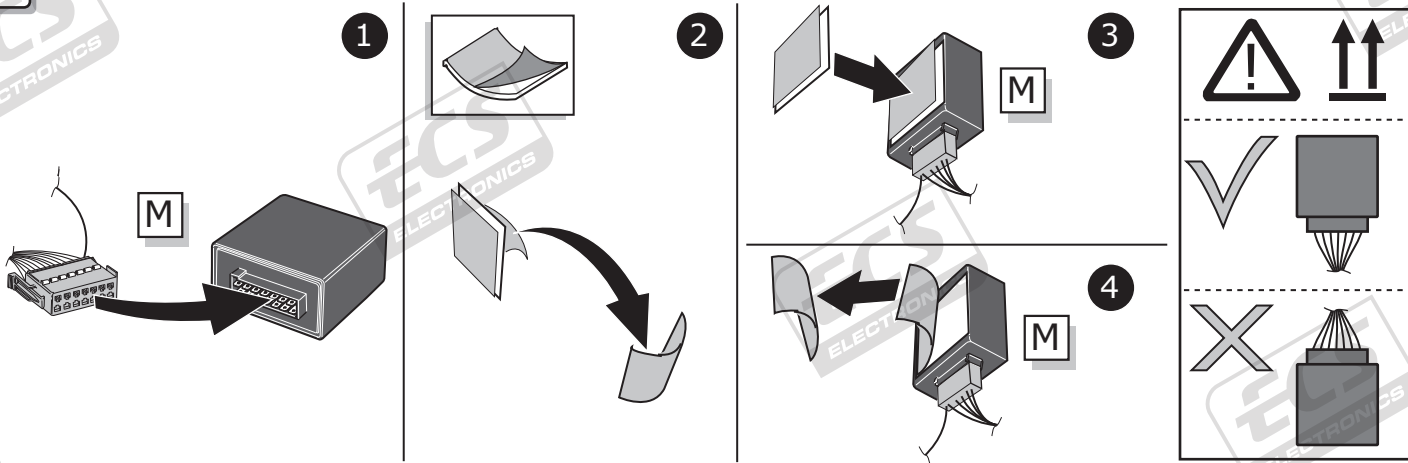


3

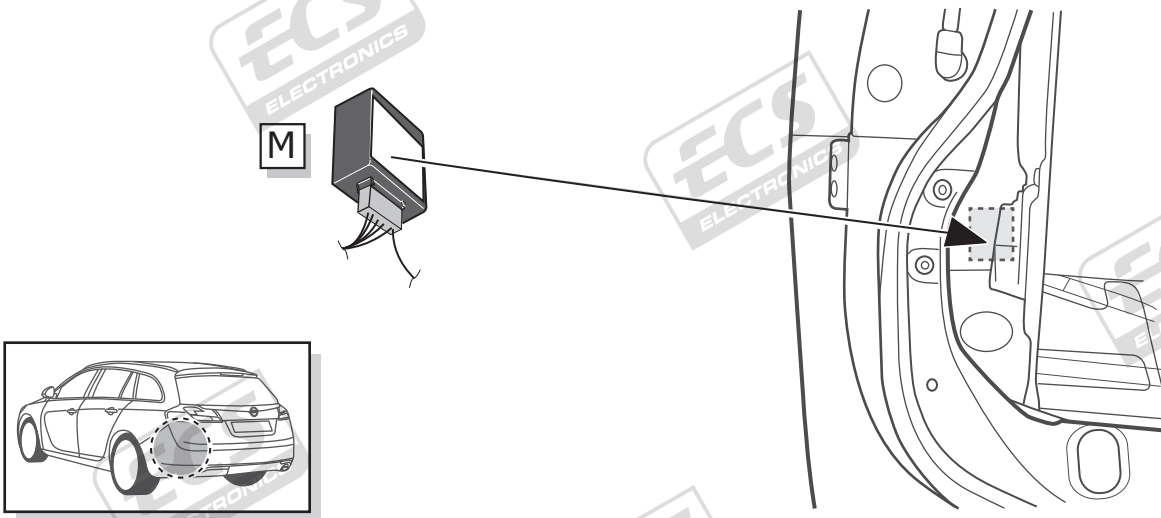


Pag. 34

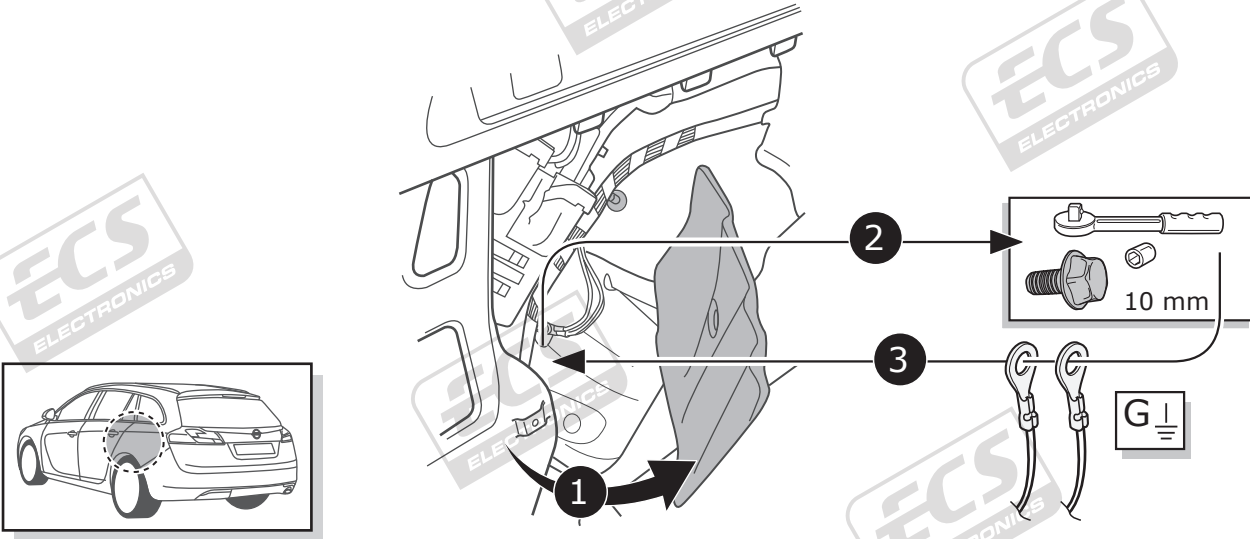
4



5

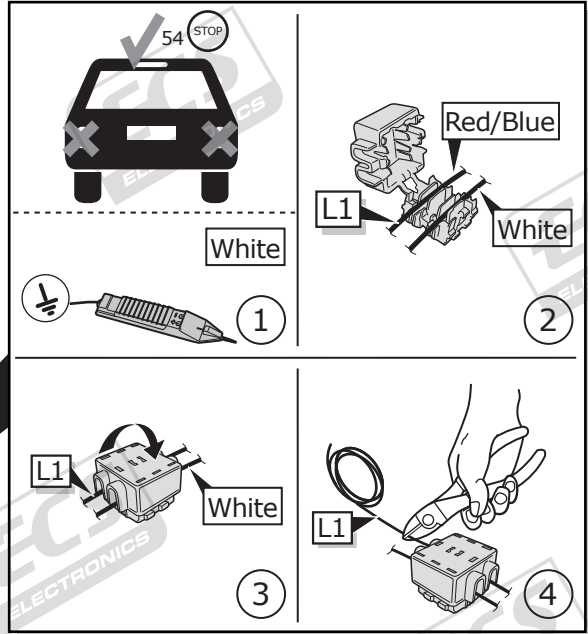
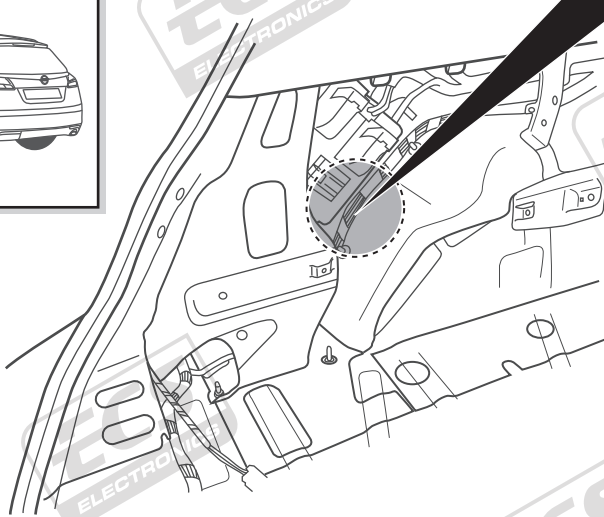
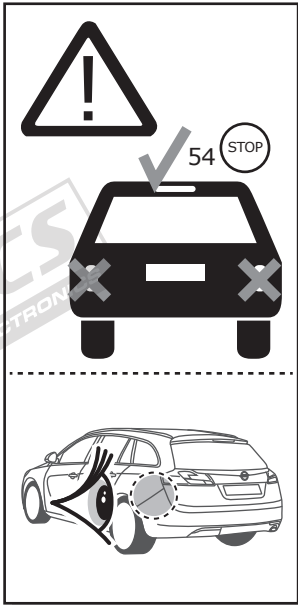
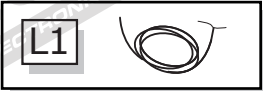


6



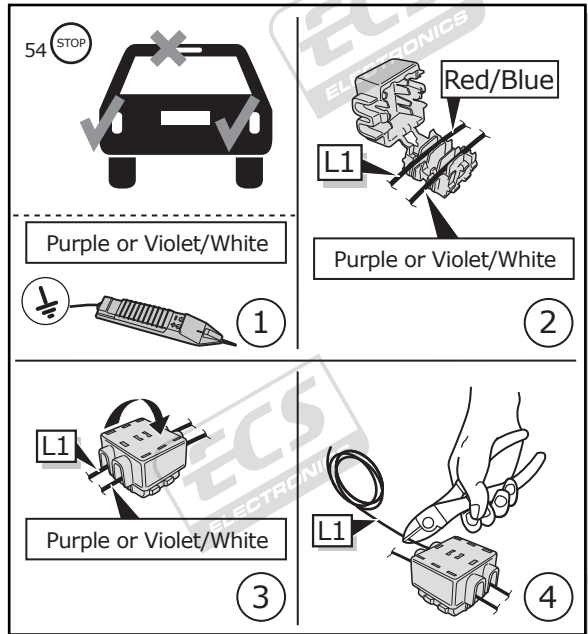
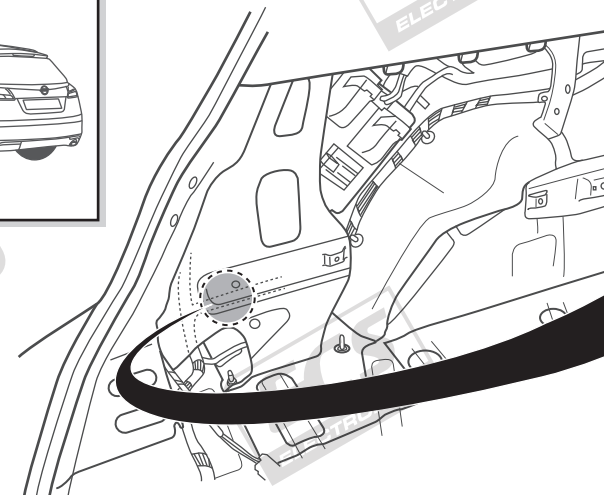
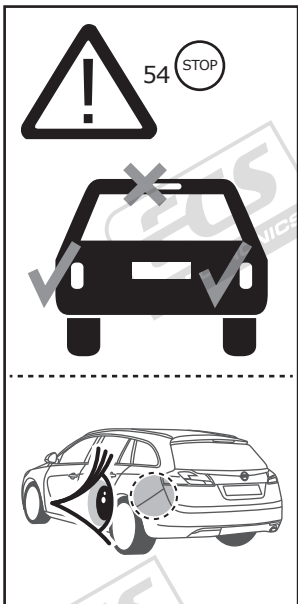
7

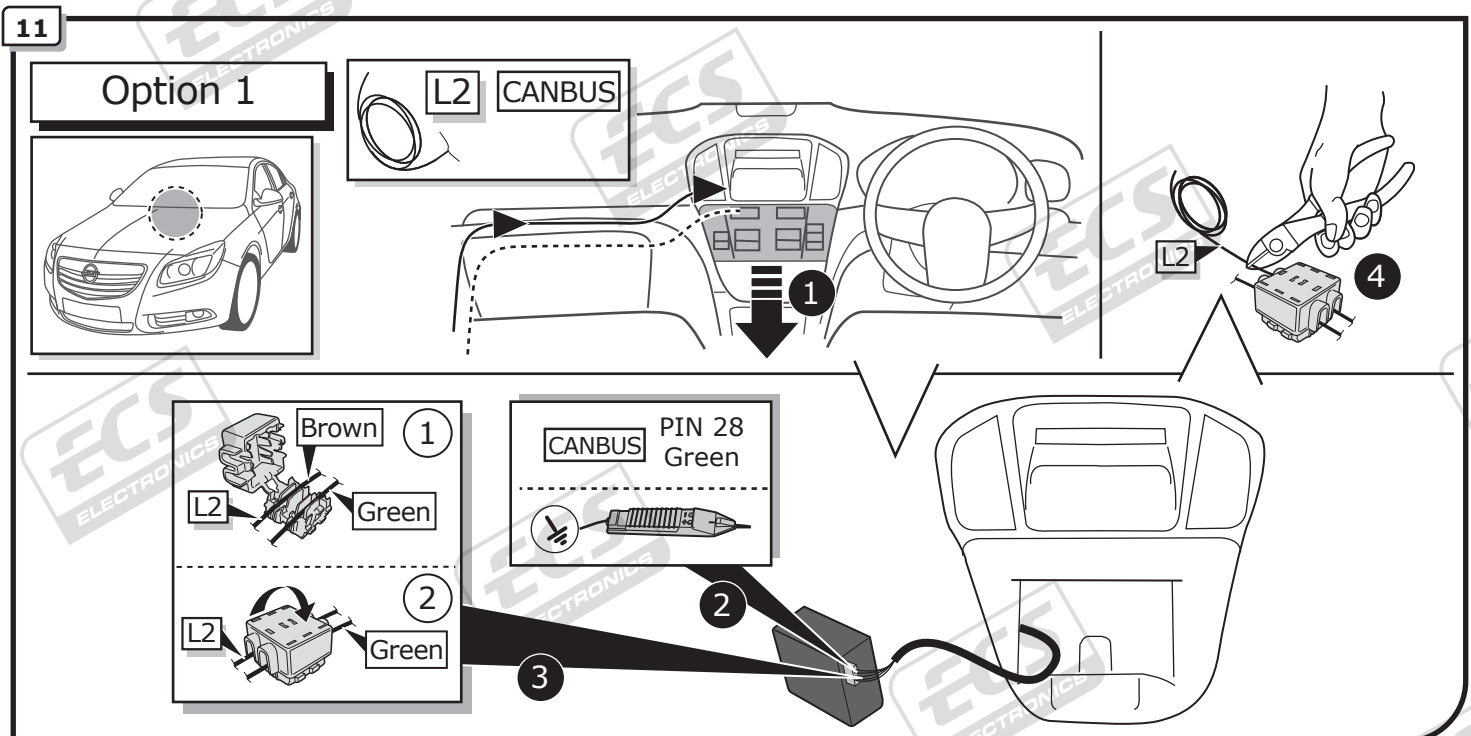
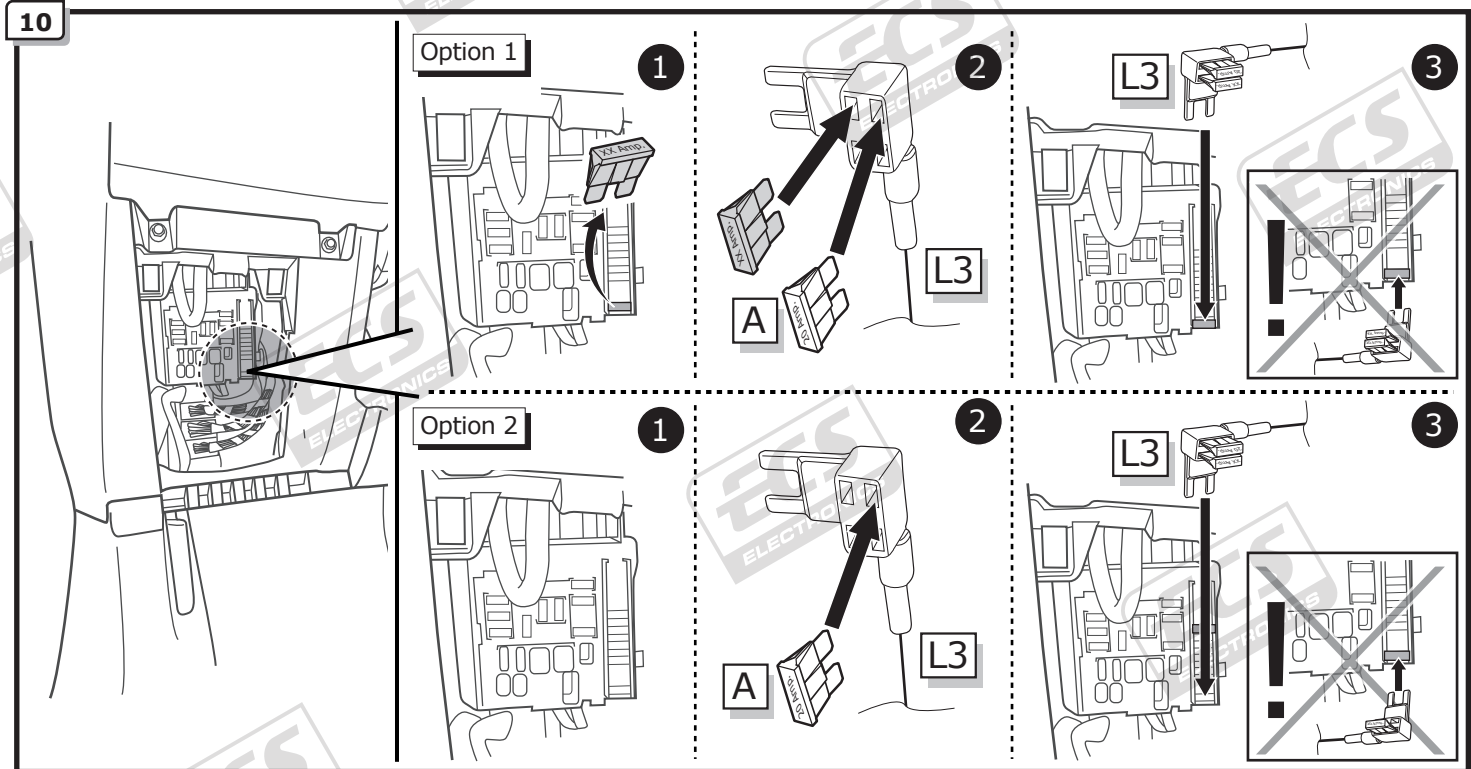
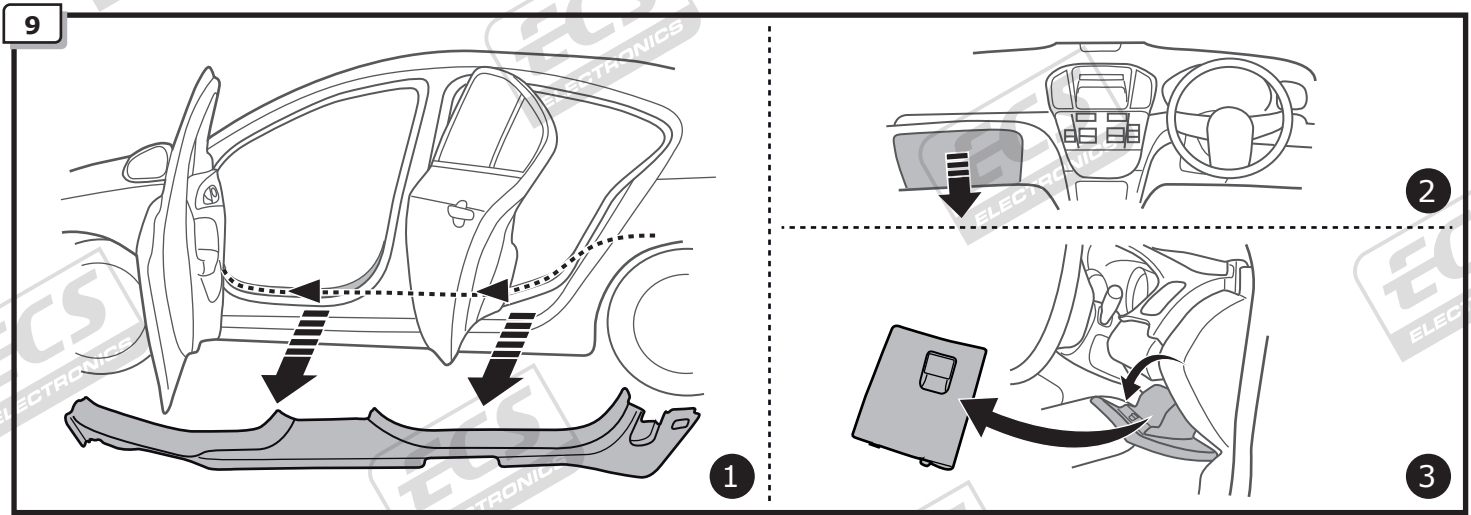
-2014



8

2014-

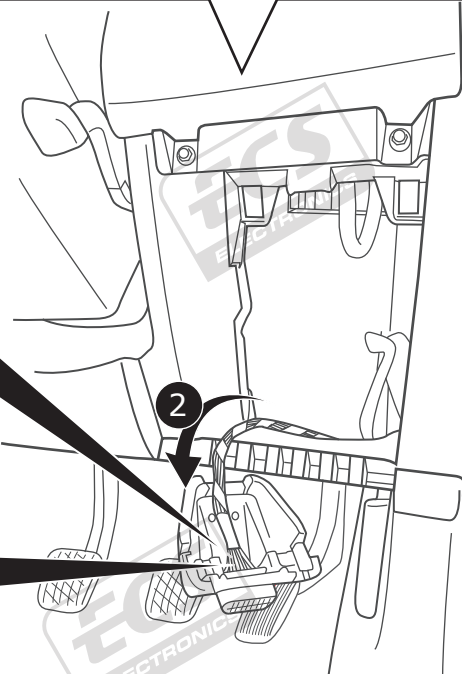
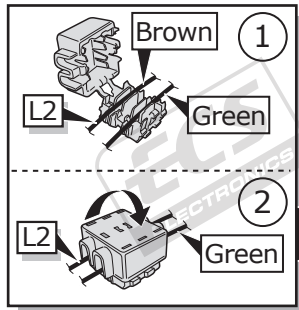
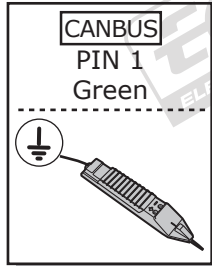
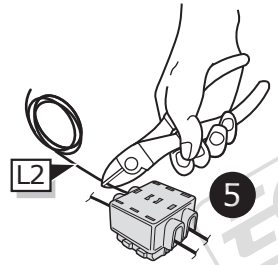
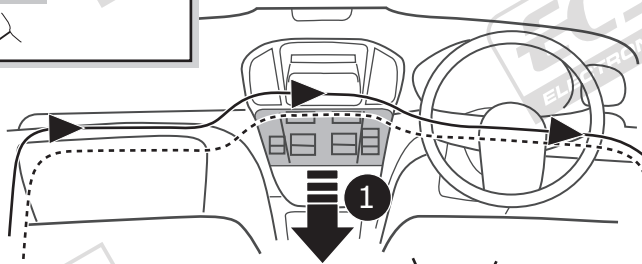
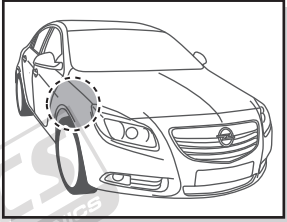




12

Option 2

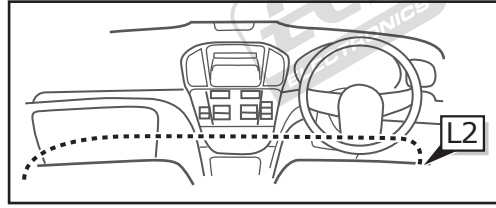
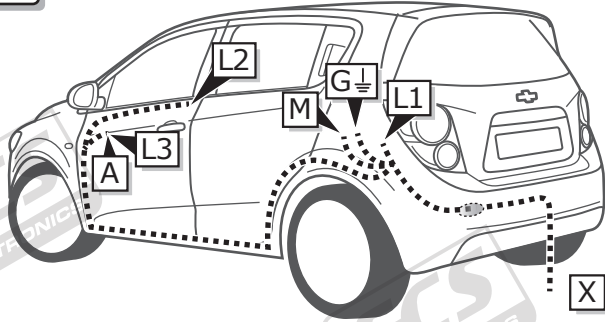
L2 CANBUS



13



INFO

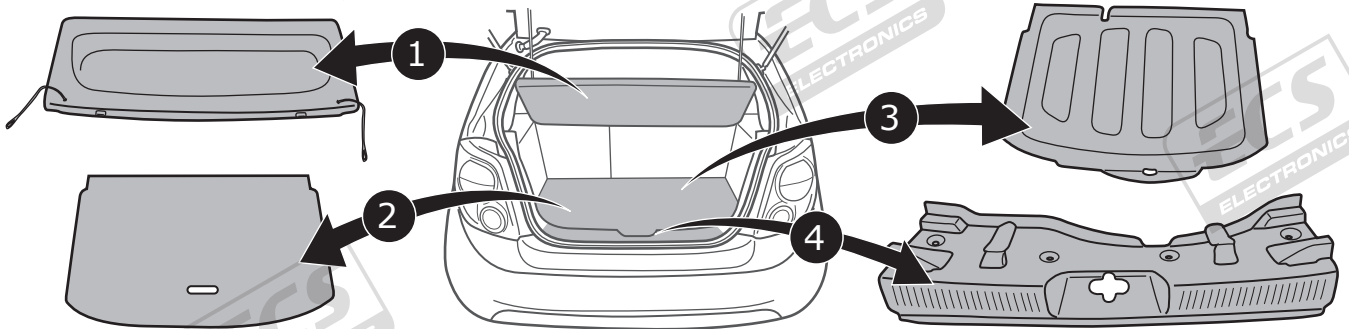


Aveo HB

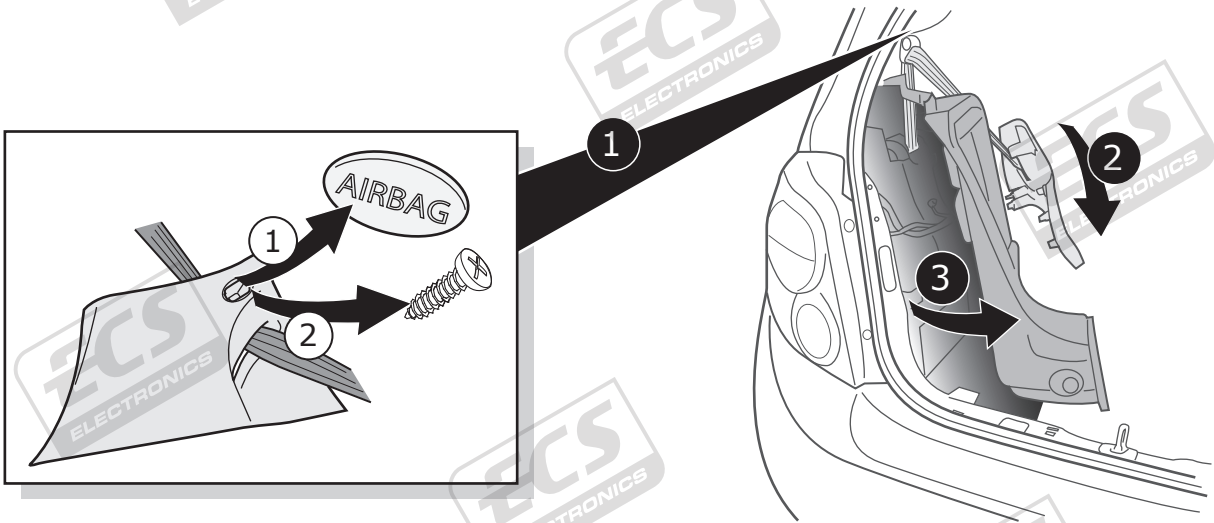
Pag. 18

Pag. 20

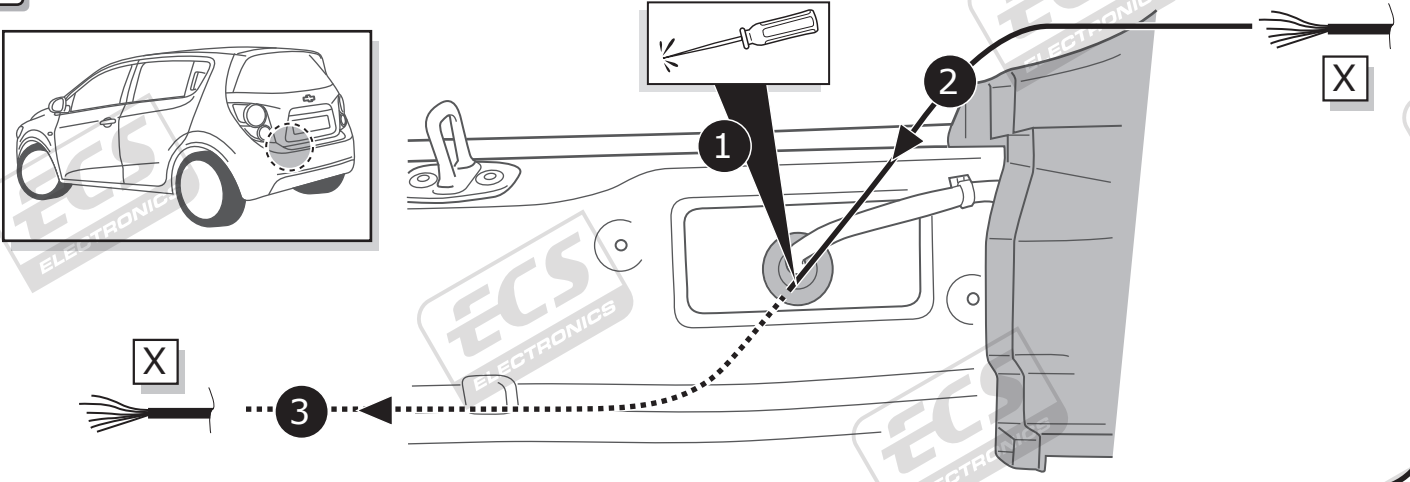
1



2



3

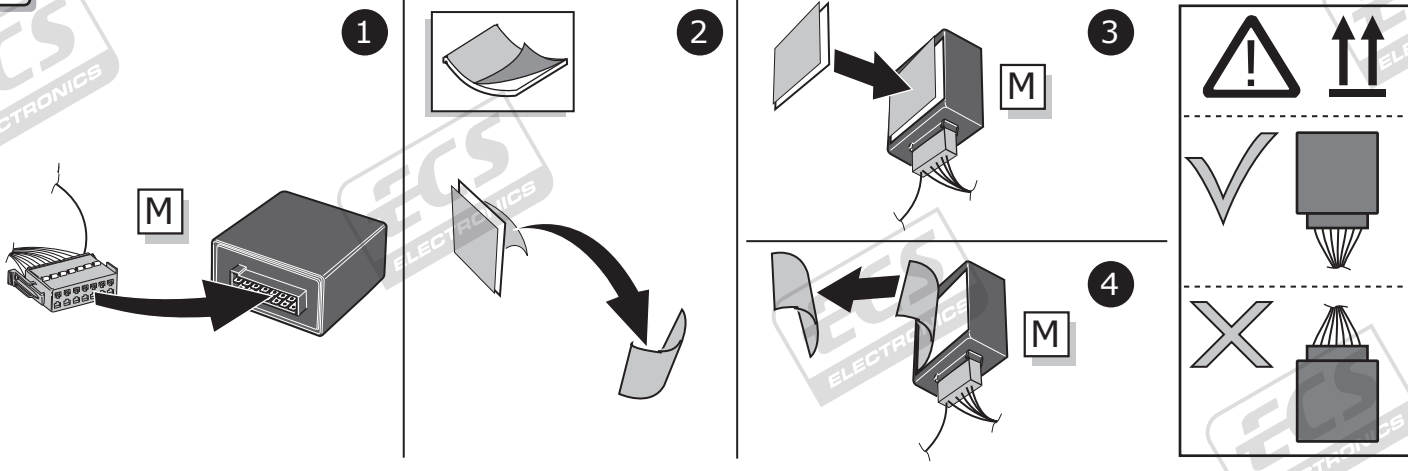


4

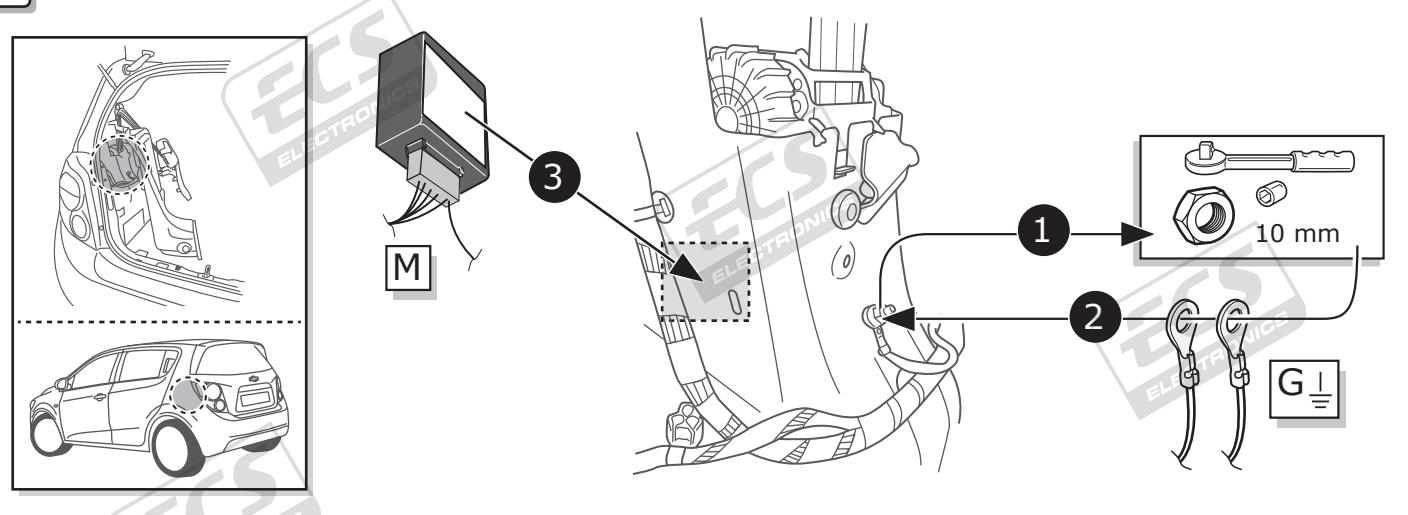


Pag. 34

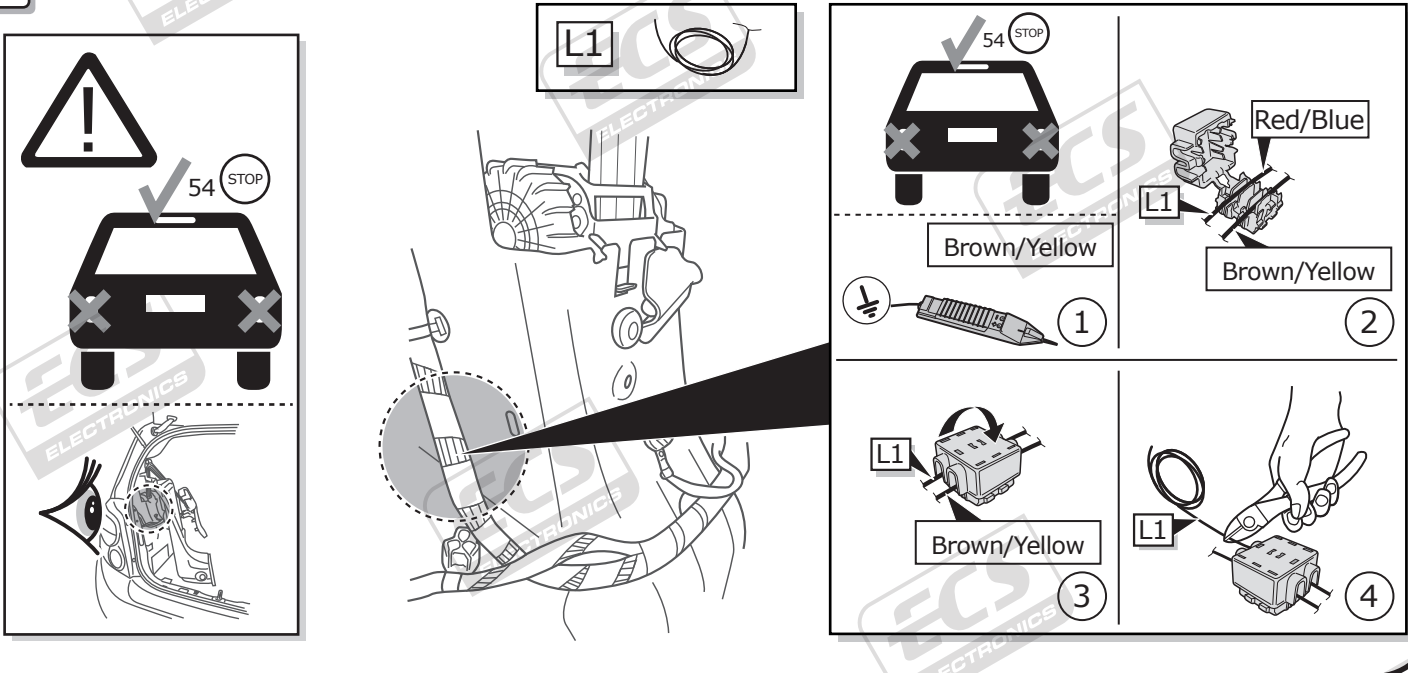
5

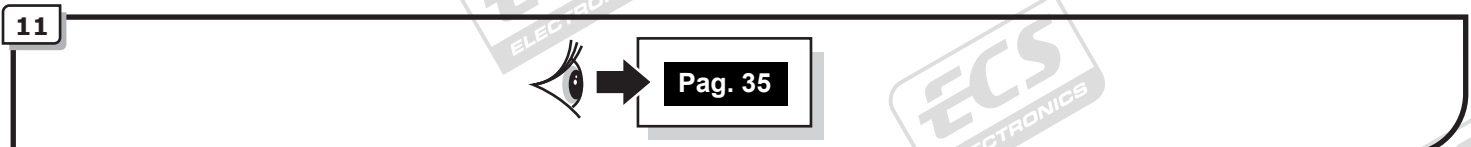
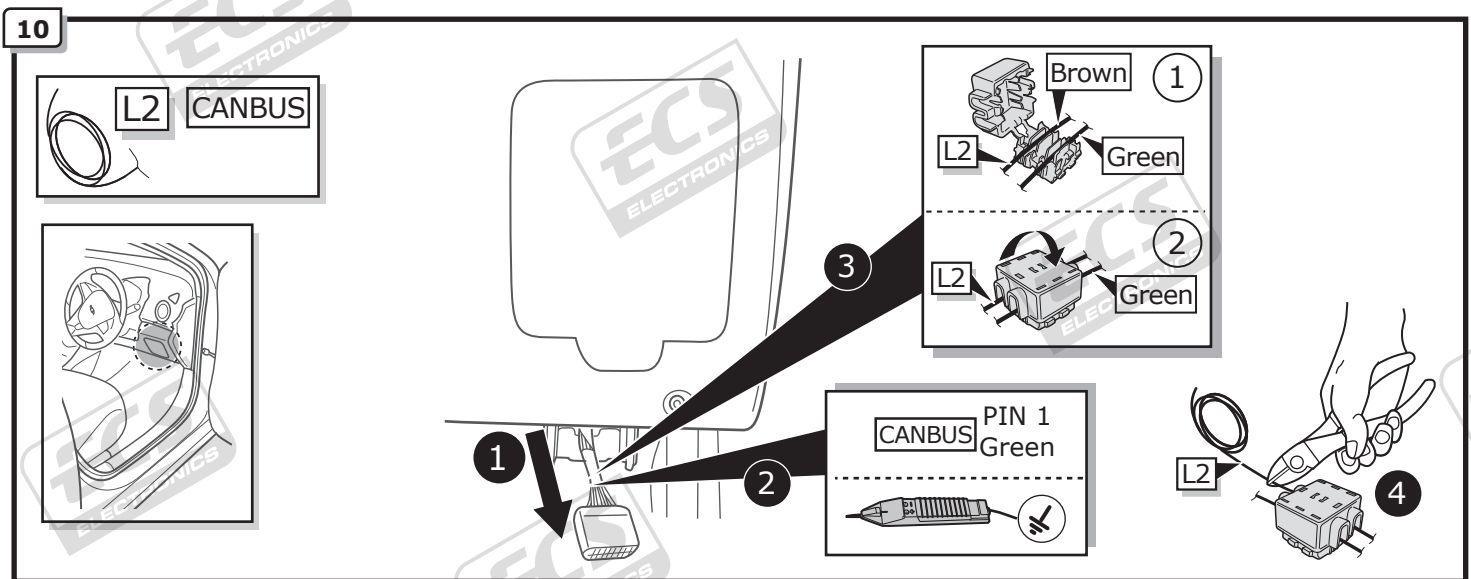
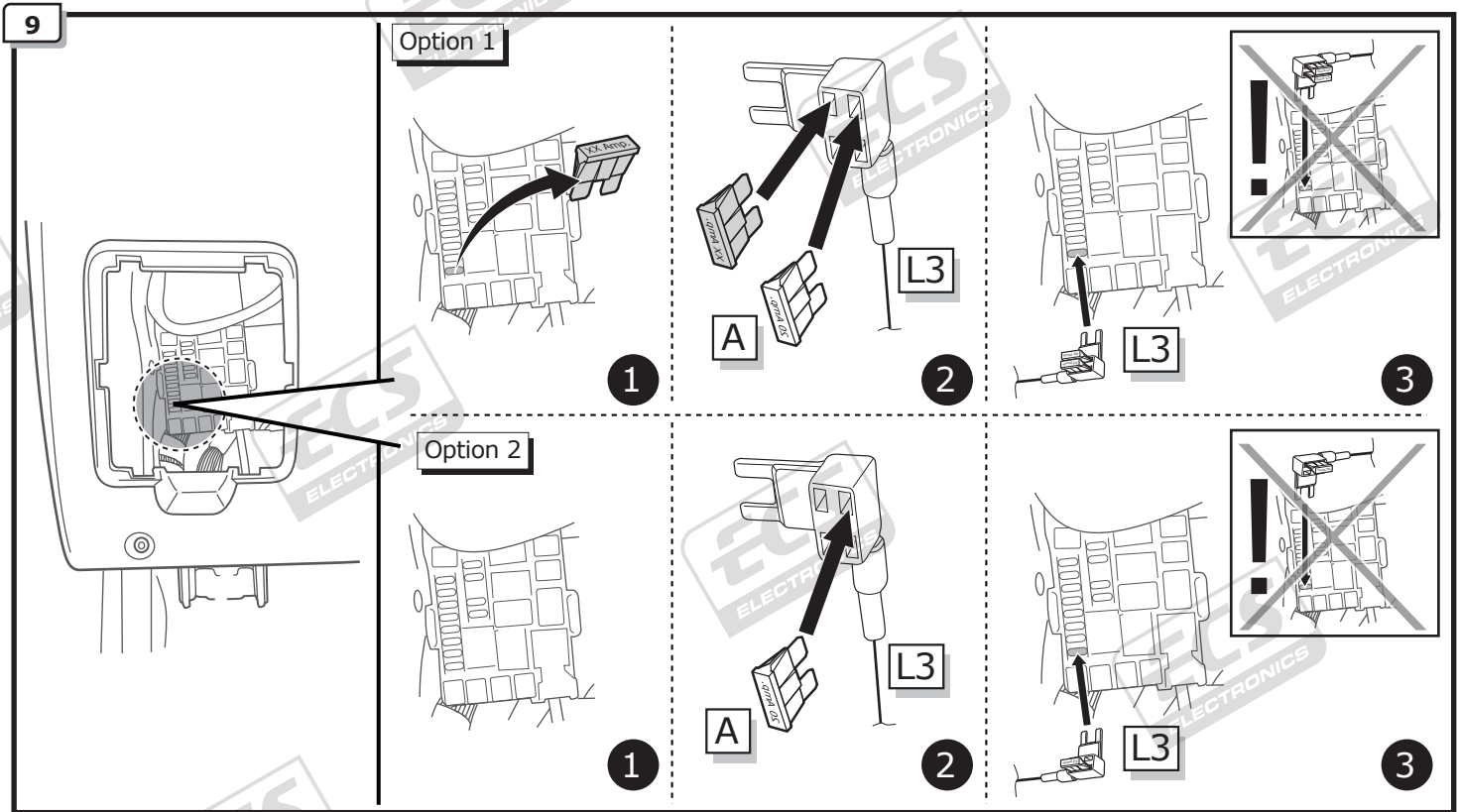
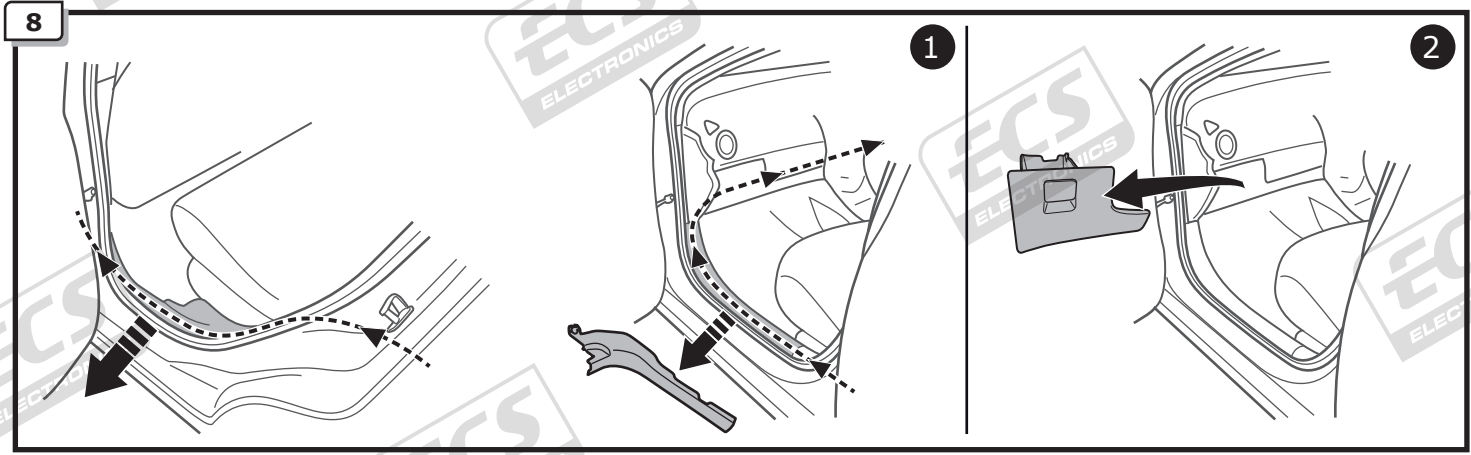


6

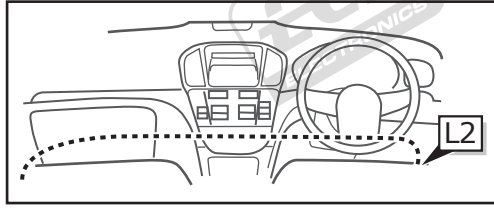
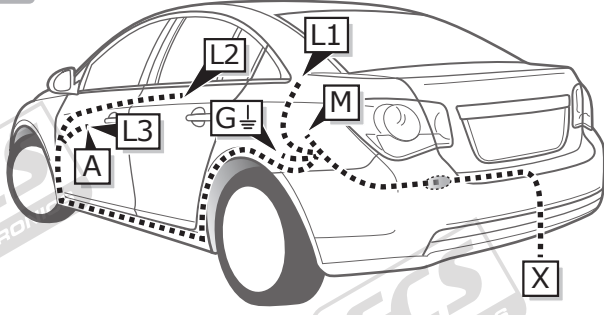


7





INFO

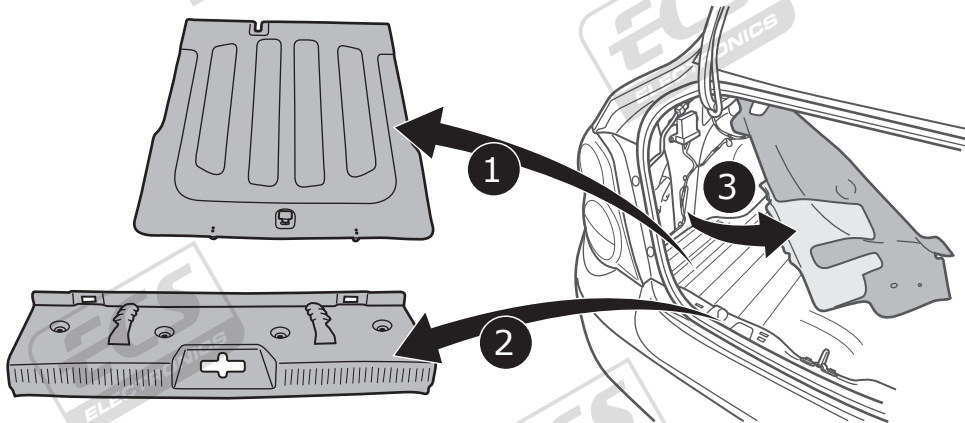


Aveo SD

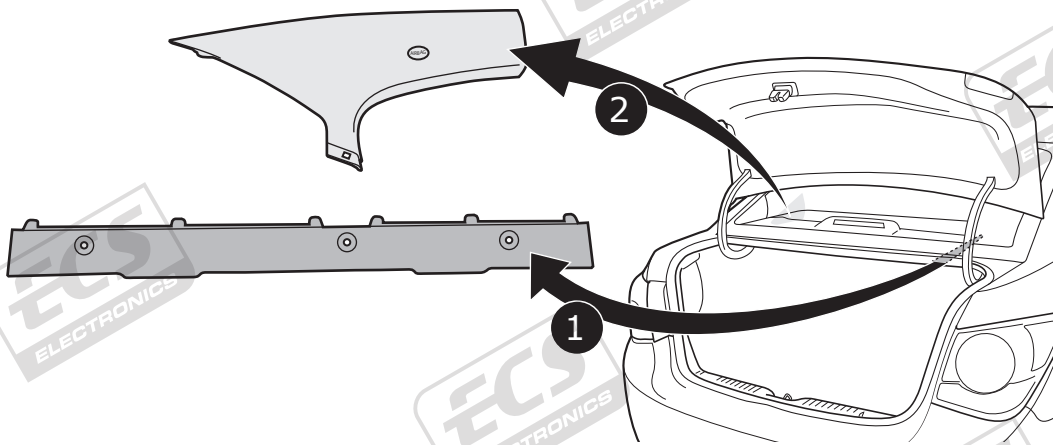
Pag. 21

-
Pag. 23

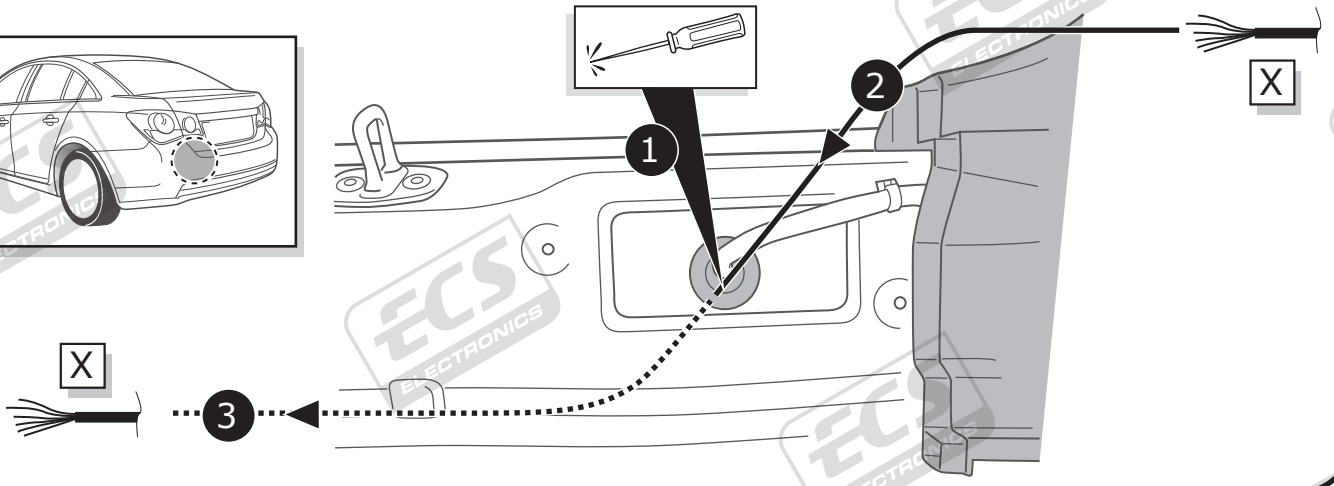
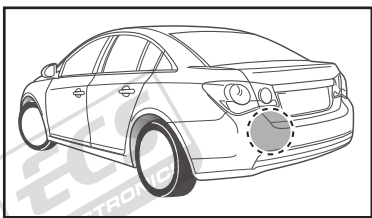
1



2



3

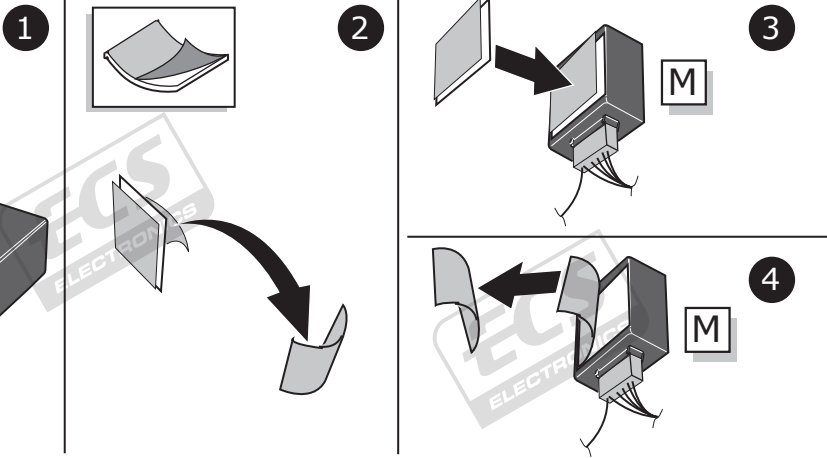


4

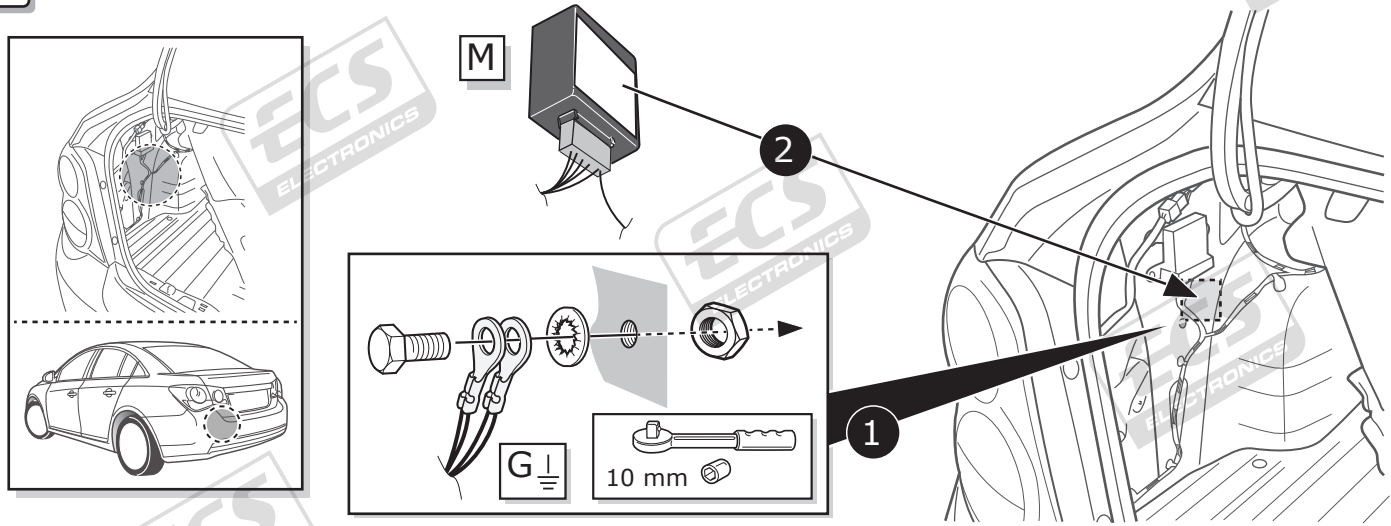


Pag. 34

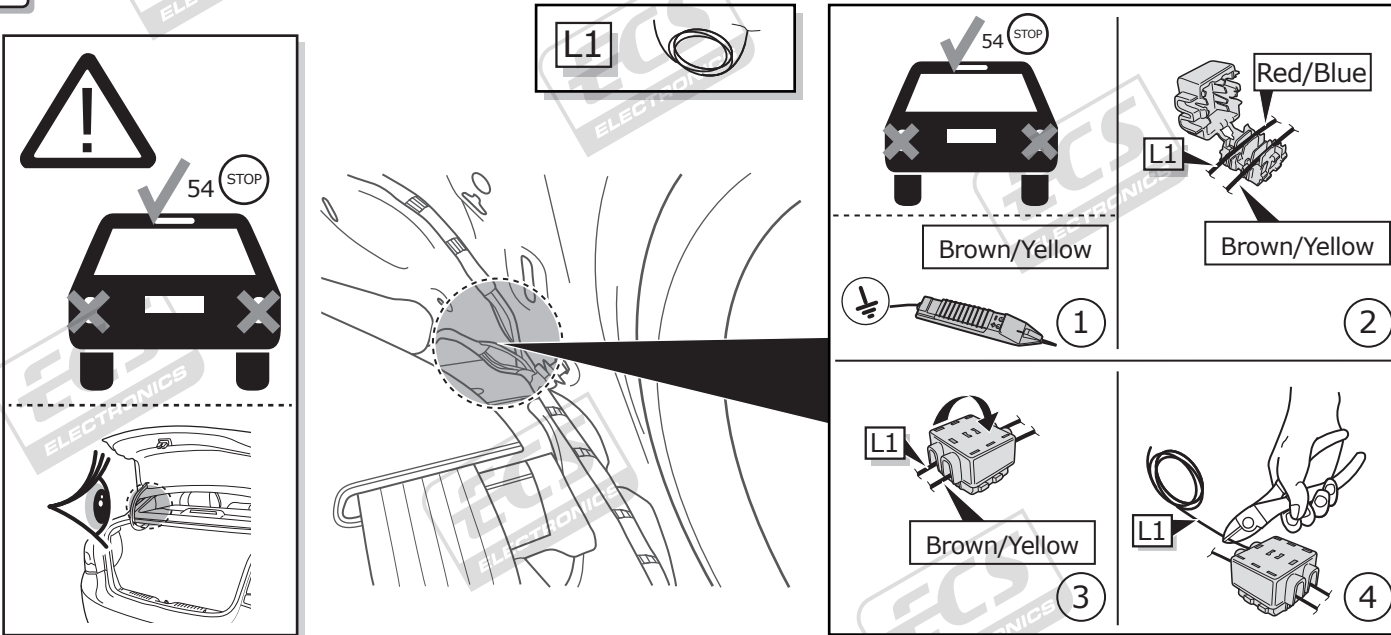
5

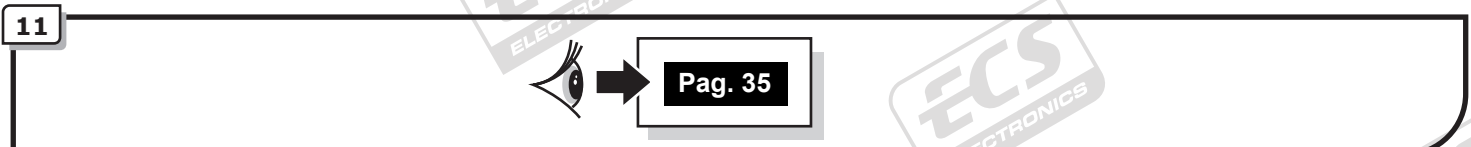
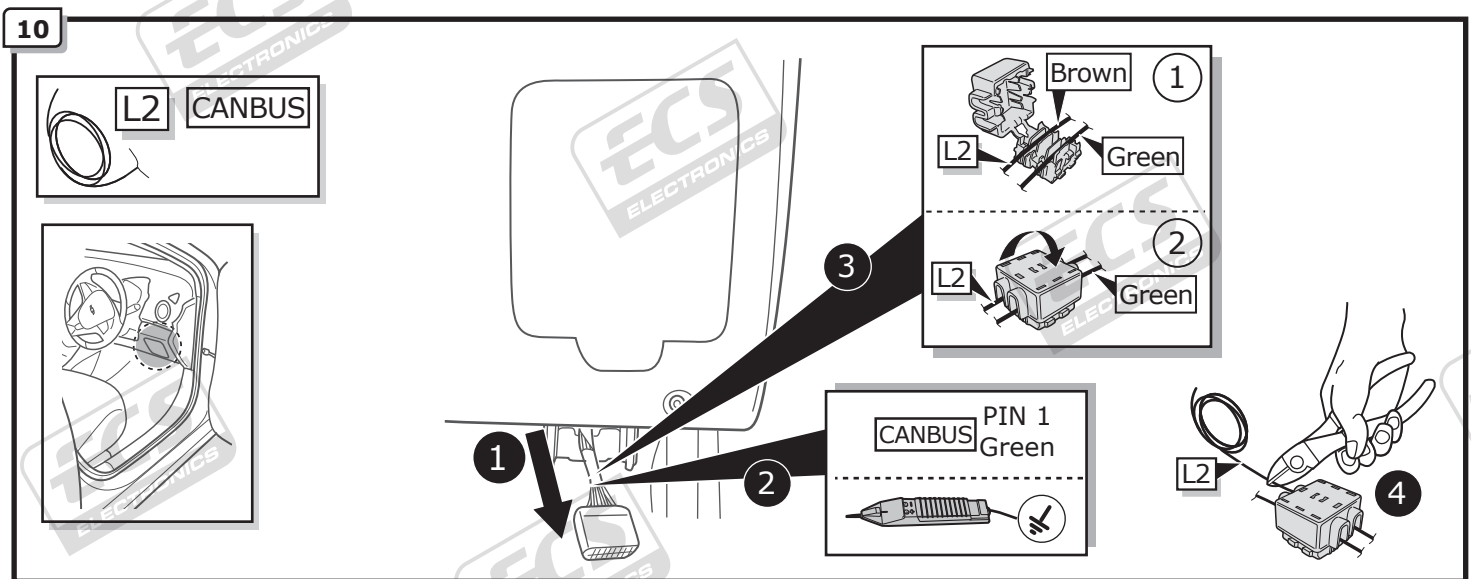
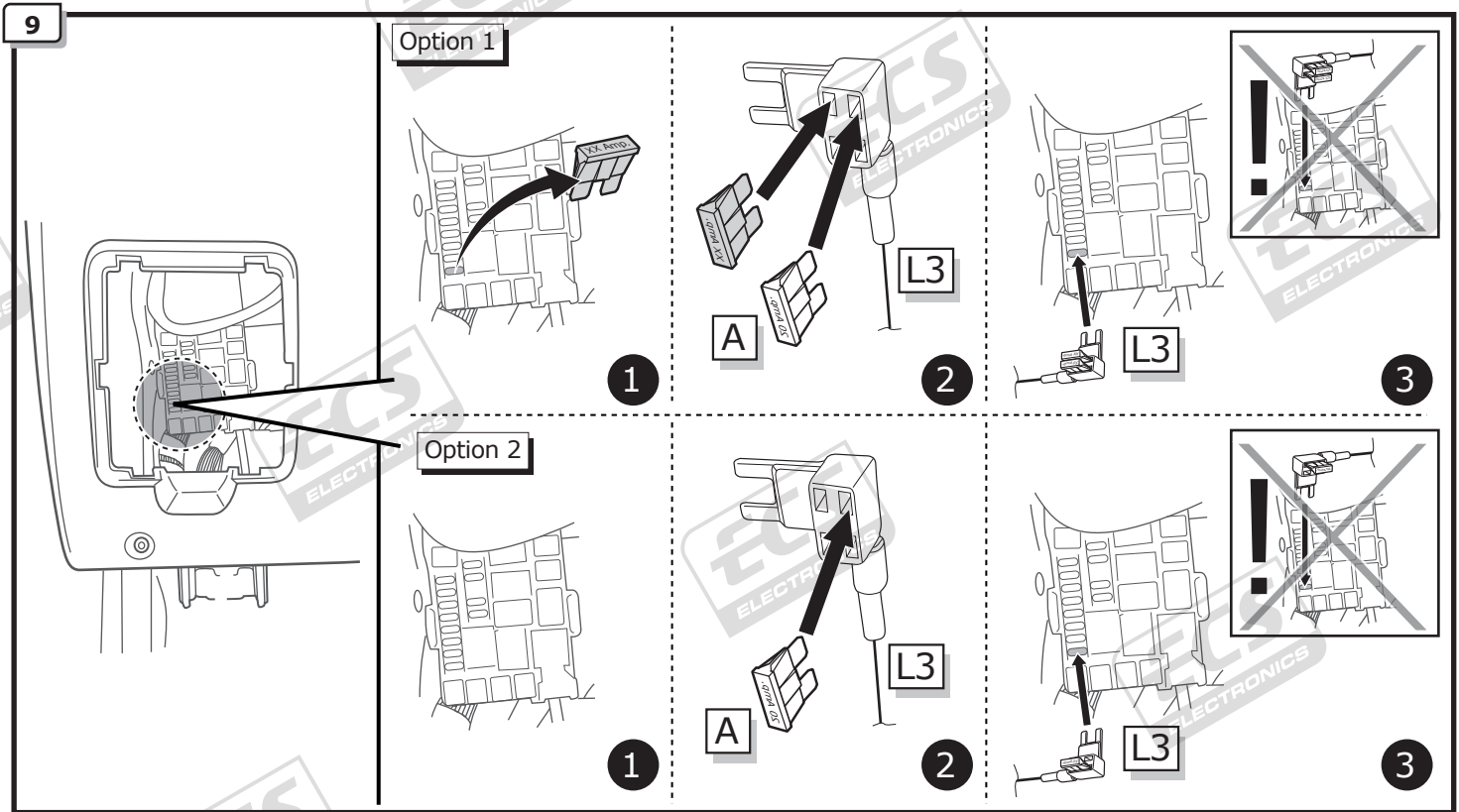
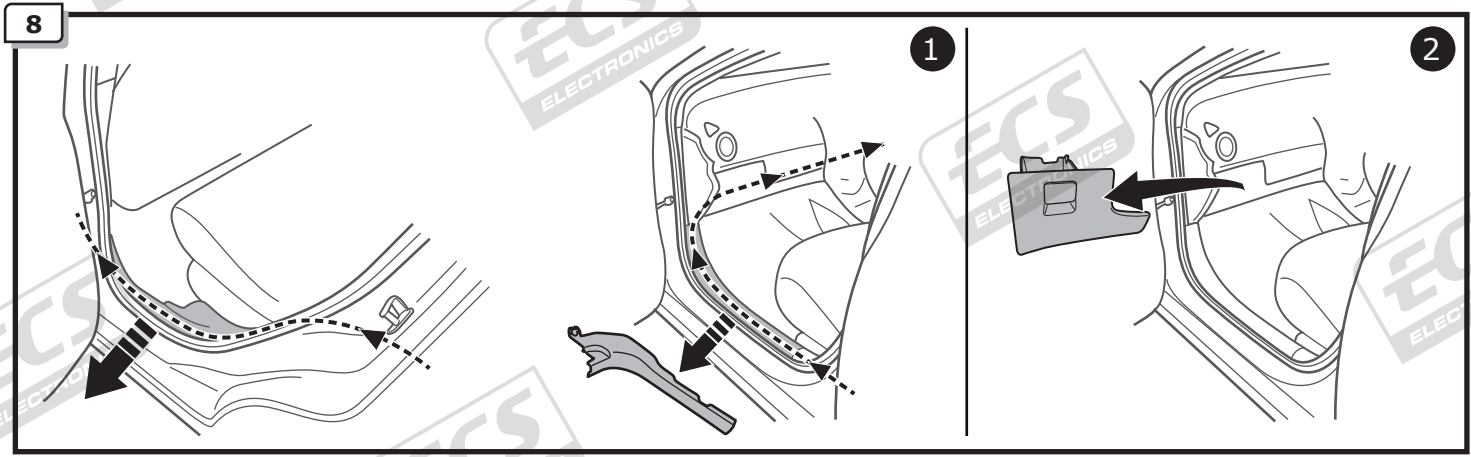


6

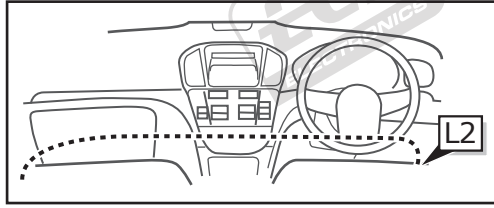
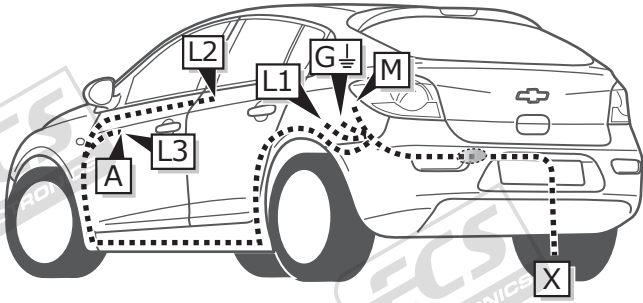


7





INFO

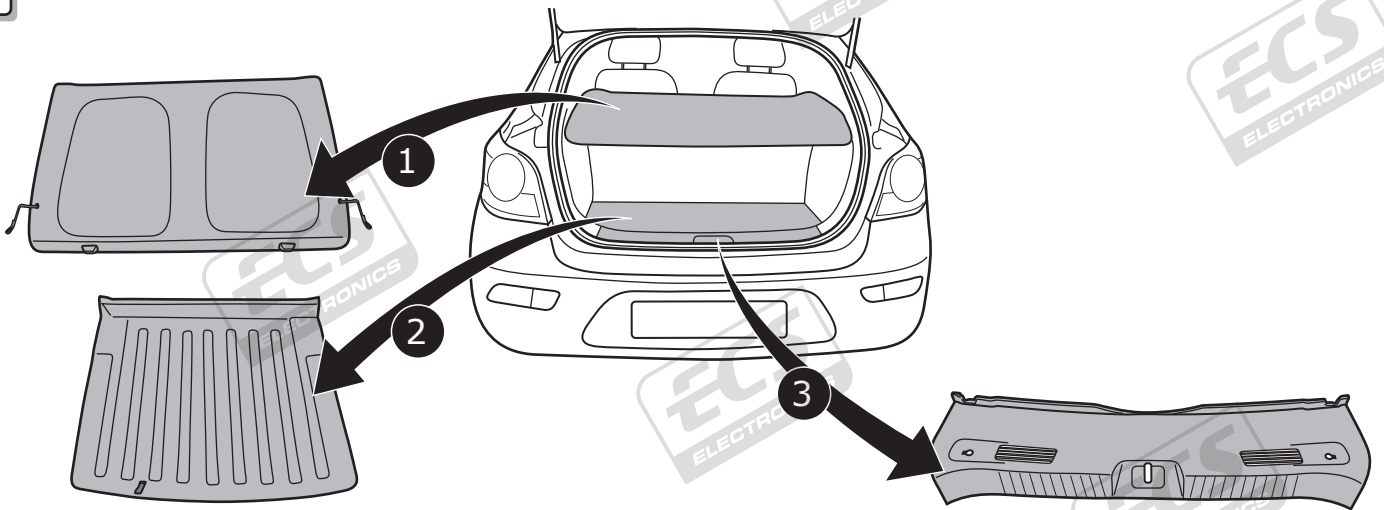


Cruze HB

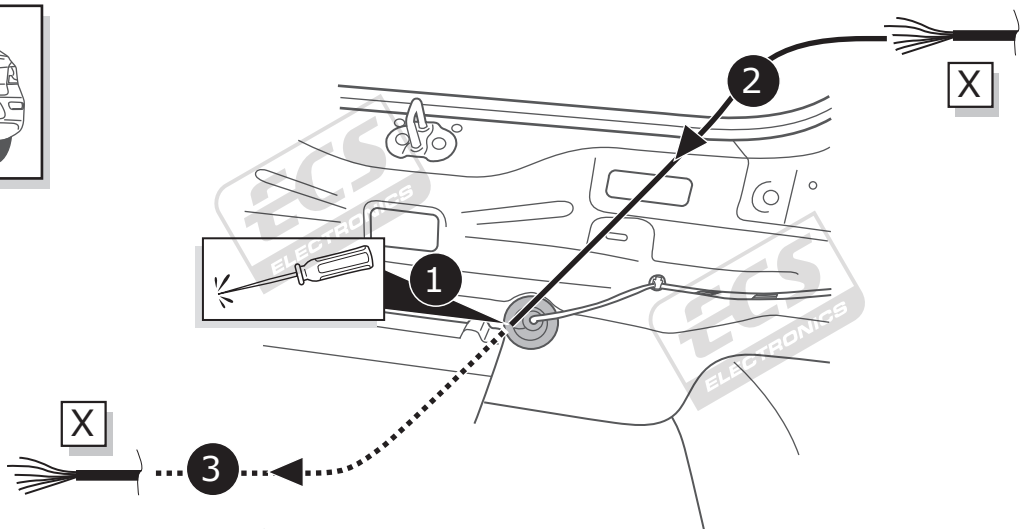
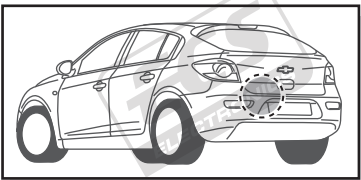
Pag. 24

Pag. 26

1



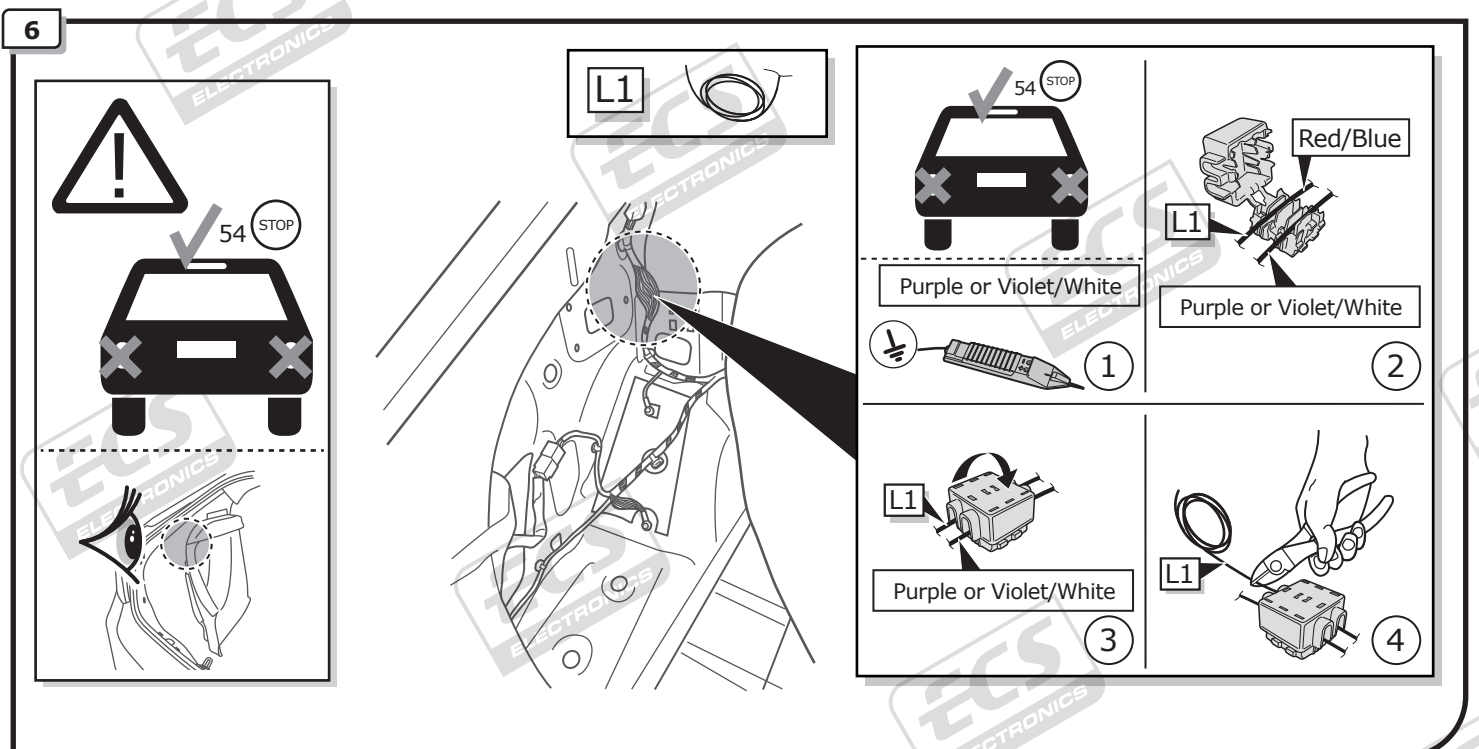
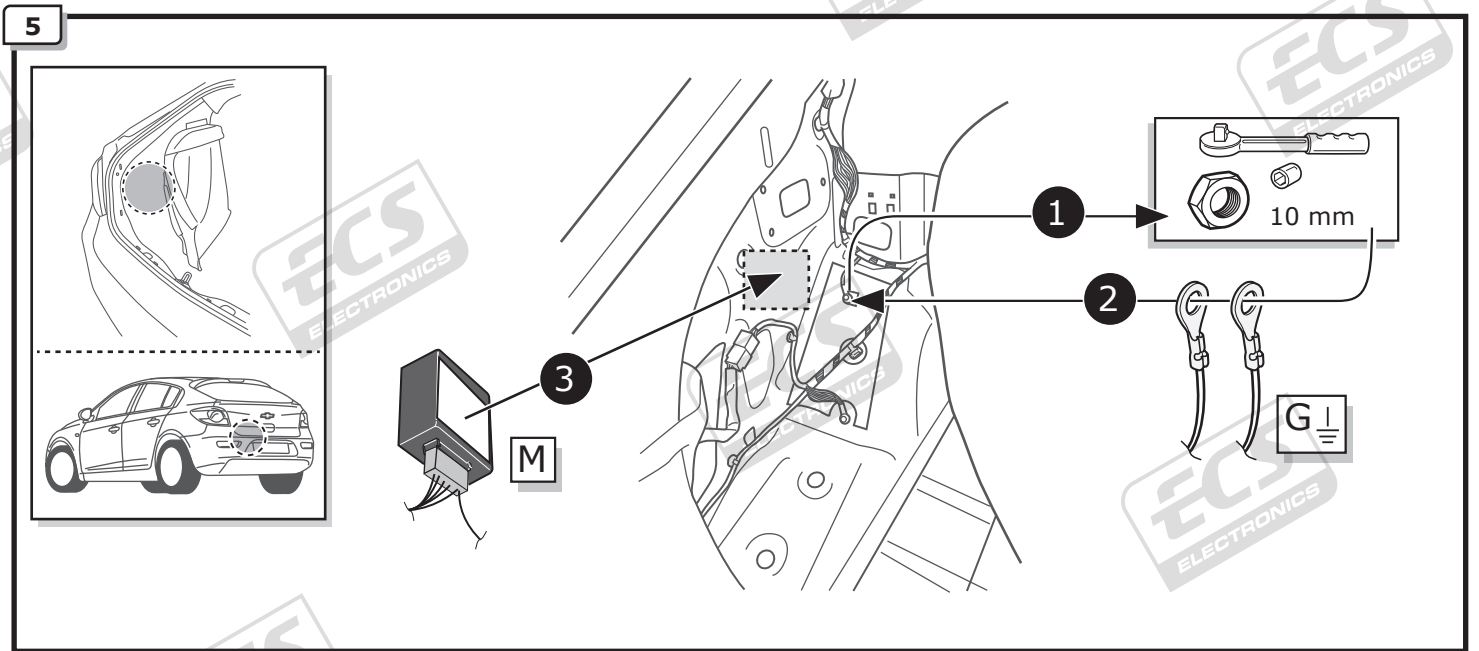
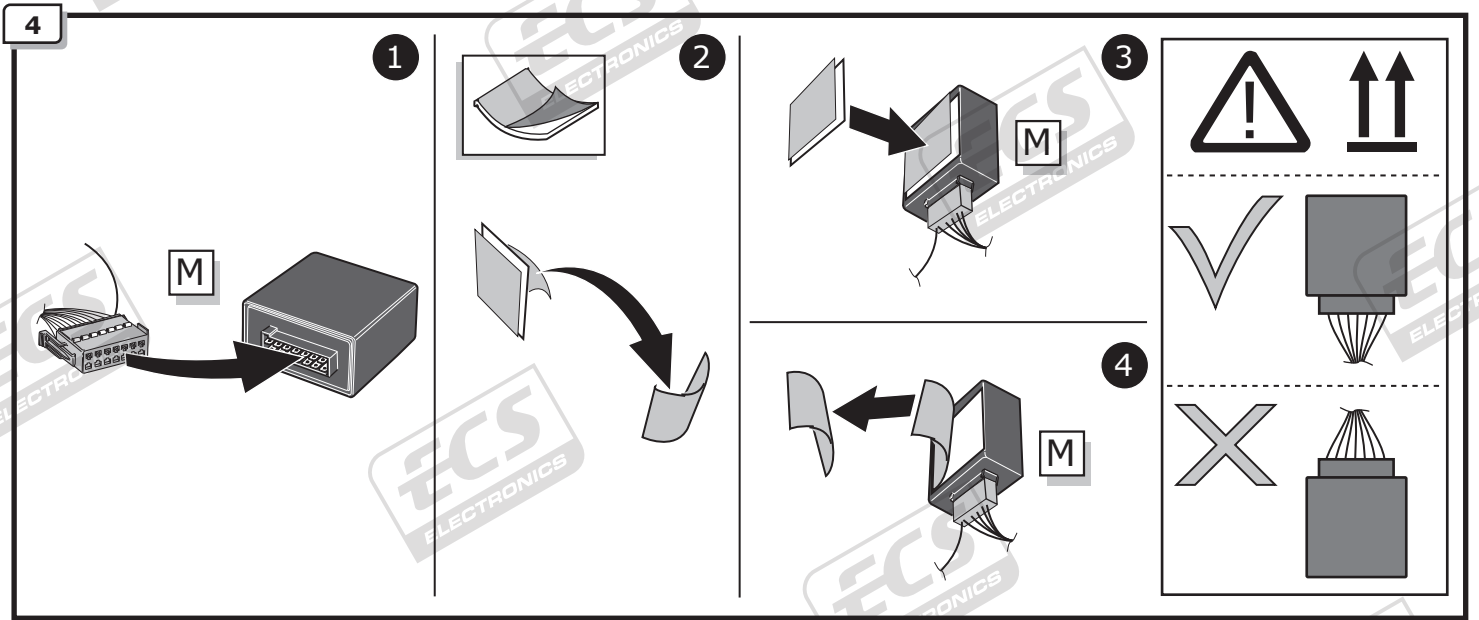
2

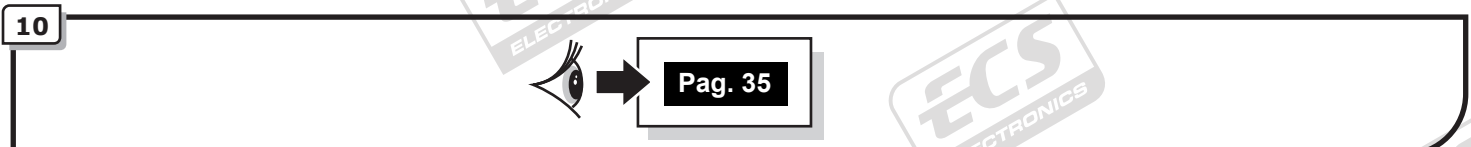
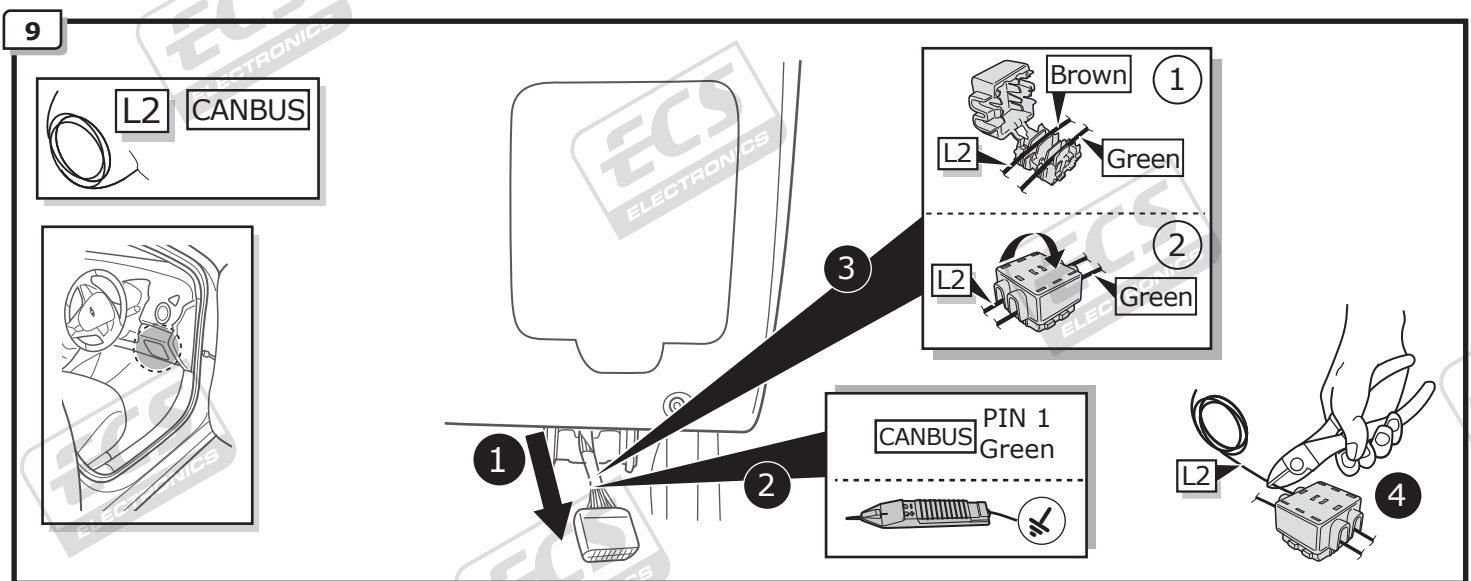
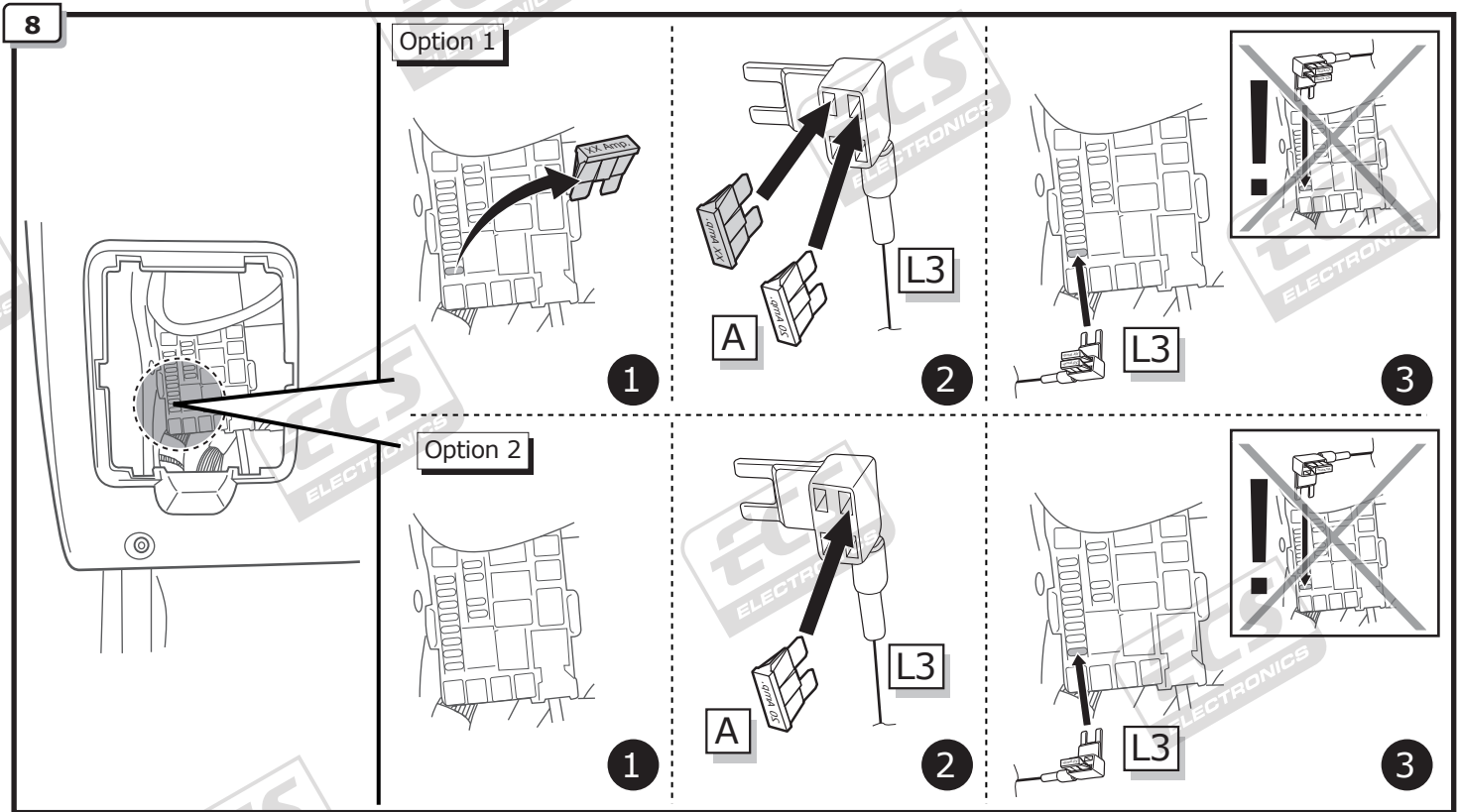
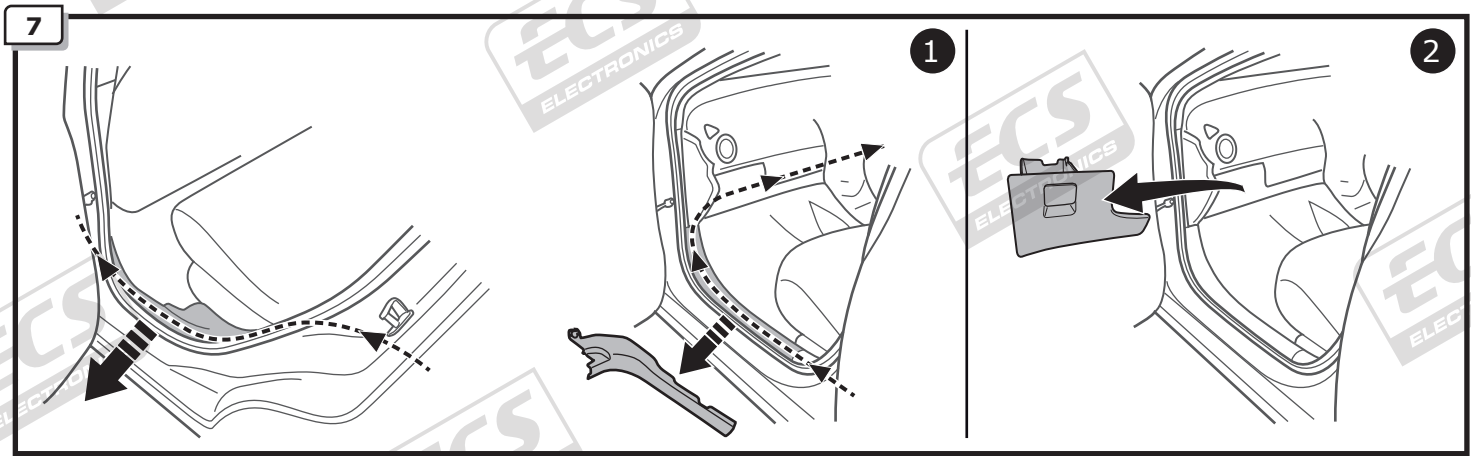


3

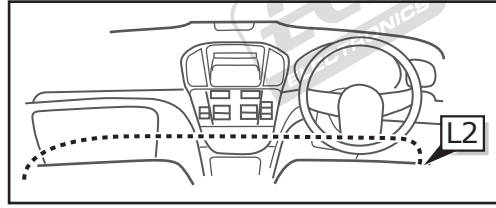
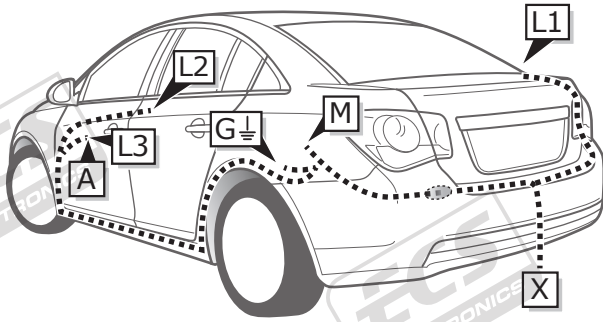


Pag. 34





INFO

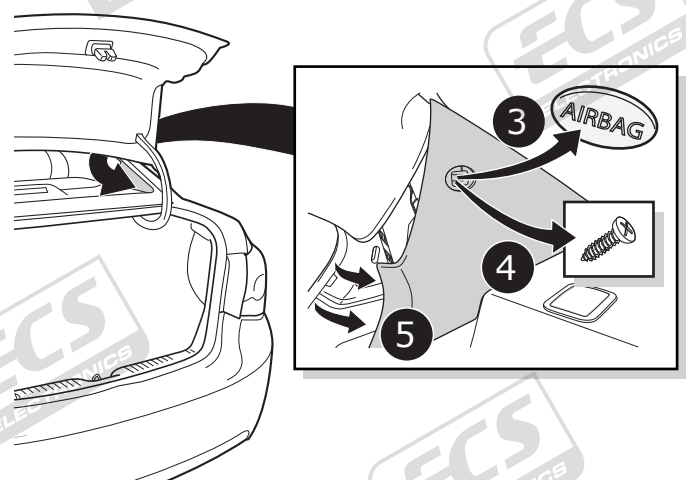
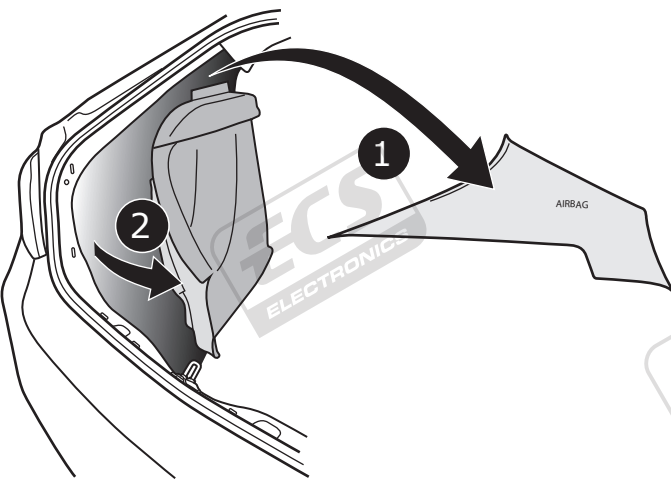


Cruze NB

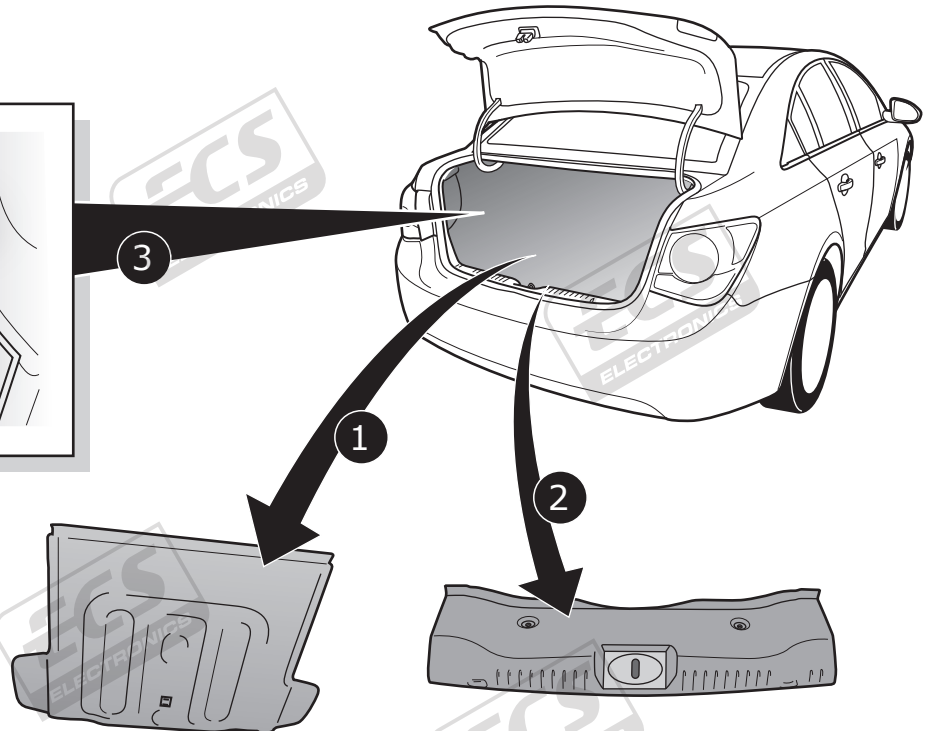
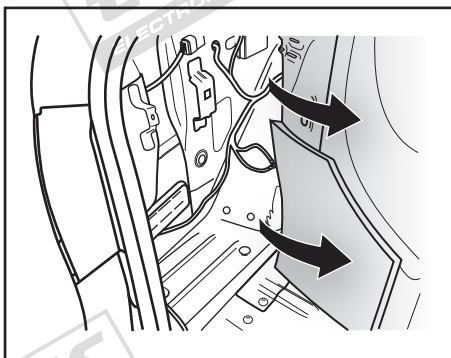
Pag. 27

-
Pag. 30

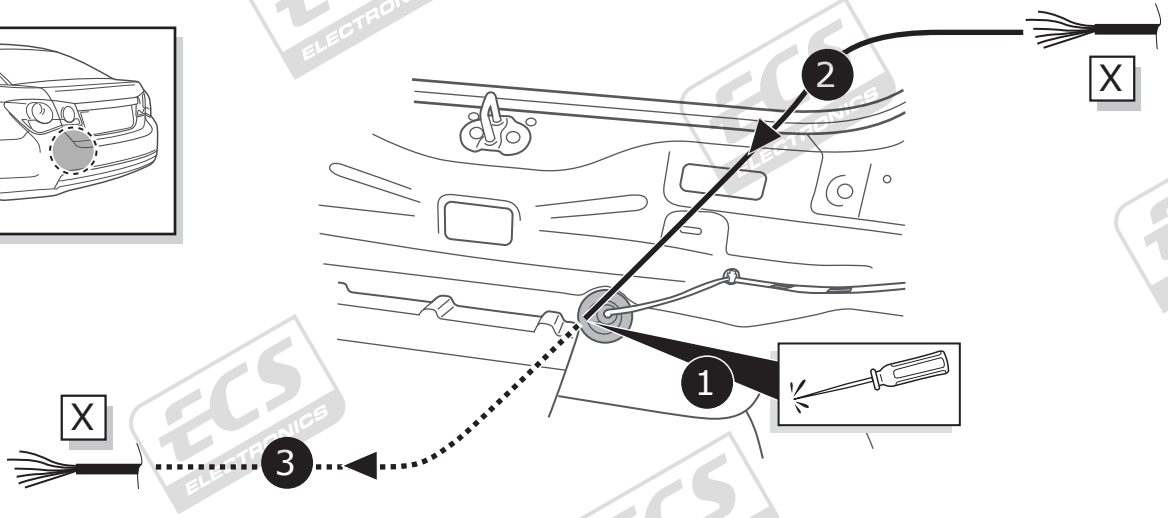
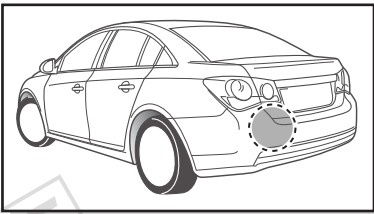
1



2



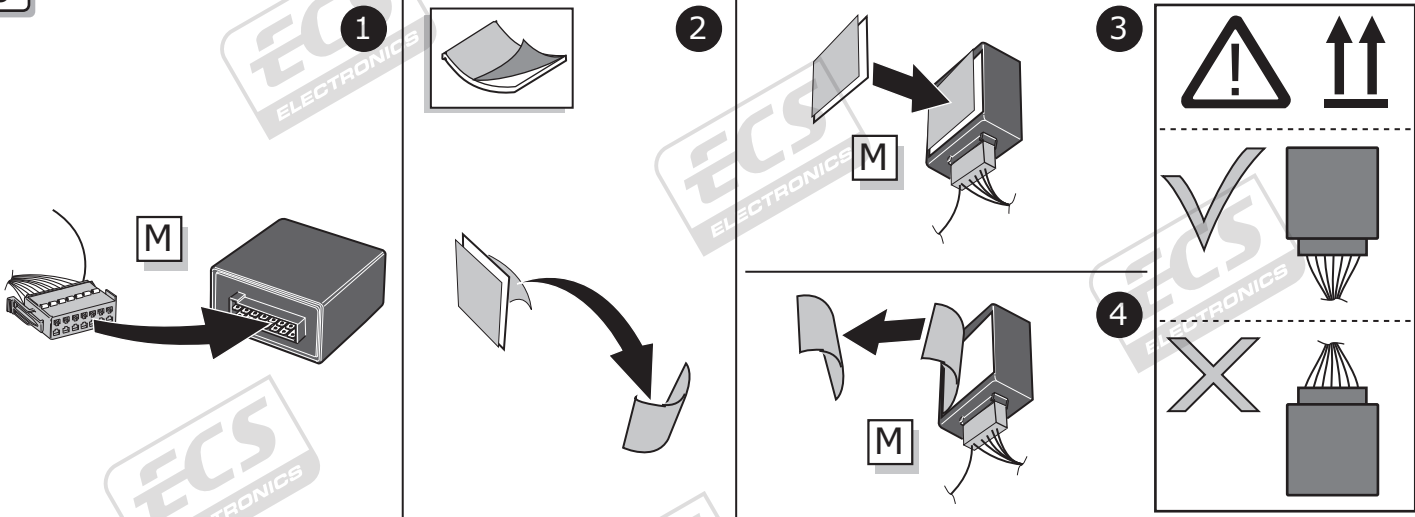
3



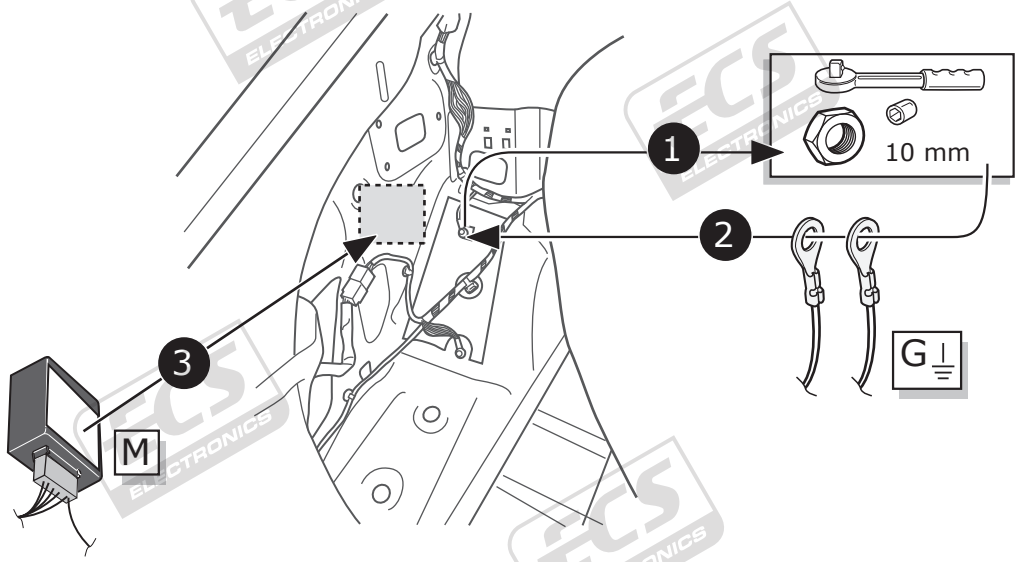
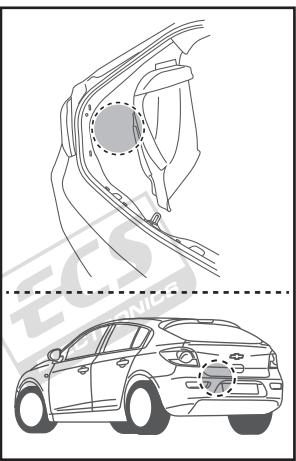
4



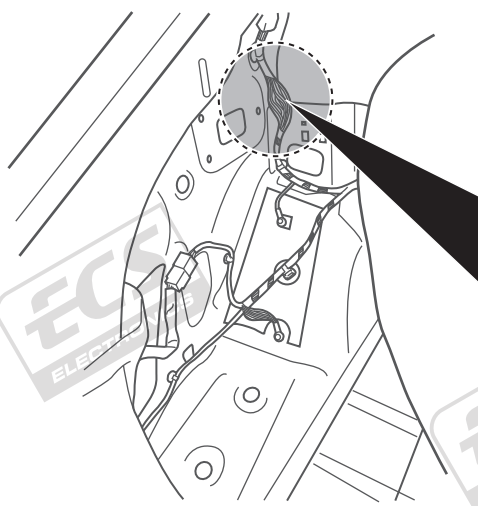
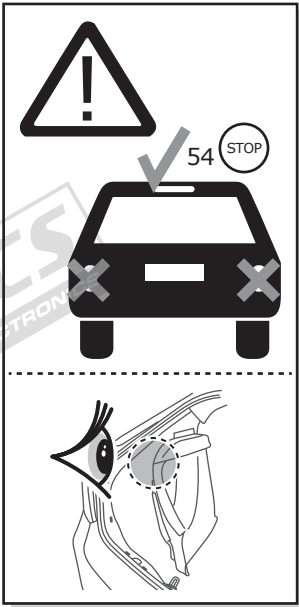
5



6

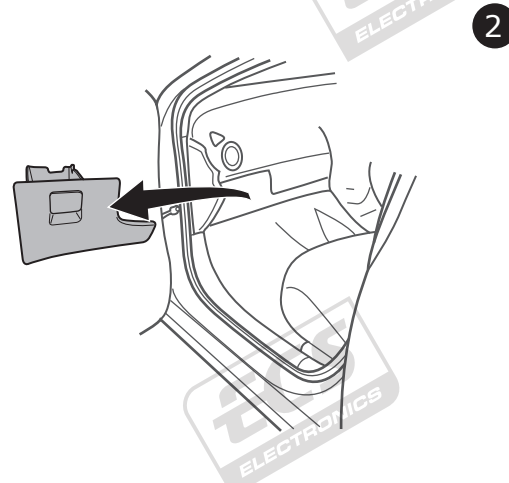
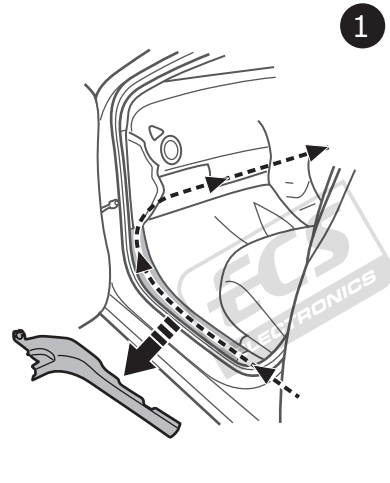
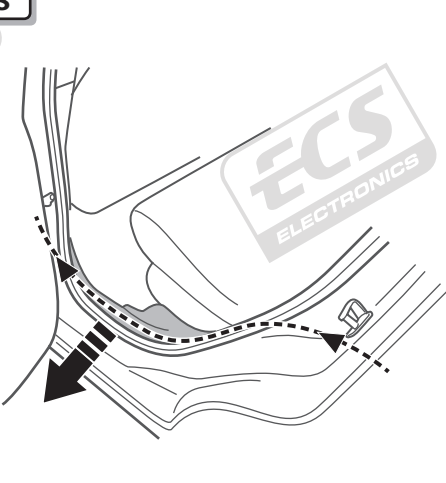


7

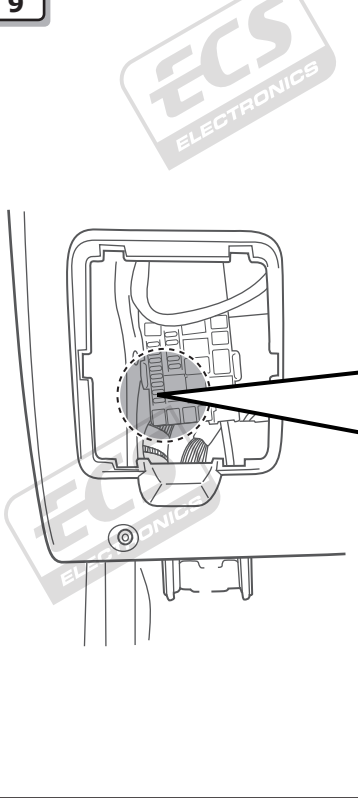


<p>54 STOP</p>	<p>Red/Blue</p>
<p>Purple or Violet/White</p> <p>1</p>	<p>Purple or Violet/White</p> <p>2</p>
<p>Purple or Violet/White</p> <p>3</p>	<p>4</p>

8

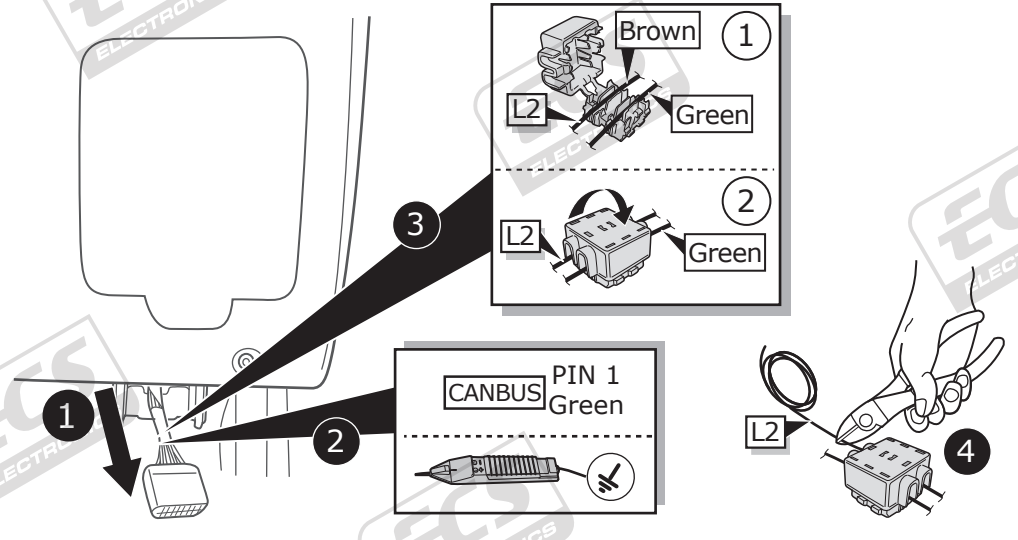
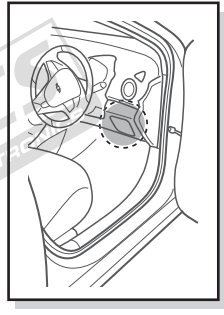
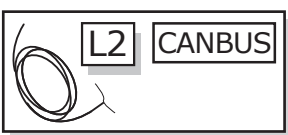


9



<p>Option 1</p> <p>1</p>	<p>2</p>	<p>3</p>
<p>Option 2</p> <p>1</p>	<p>2</p>	<p>3</p>

10



11

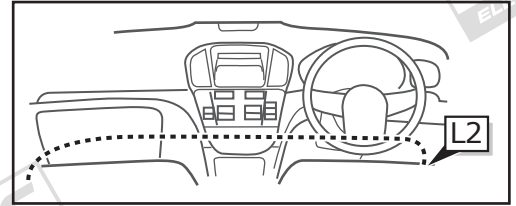
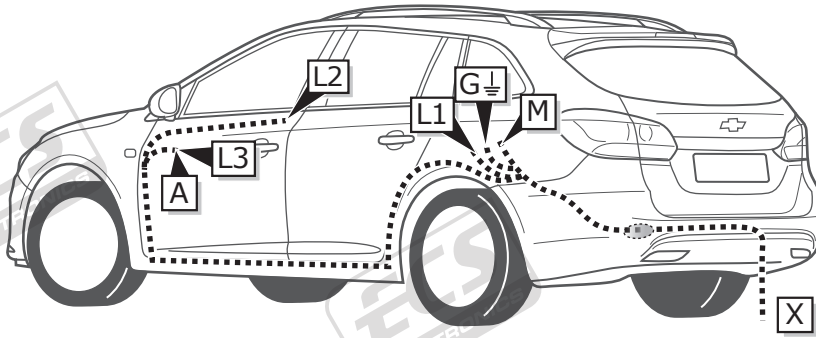


INFO

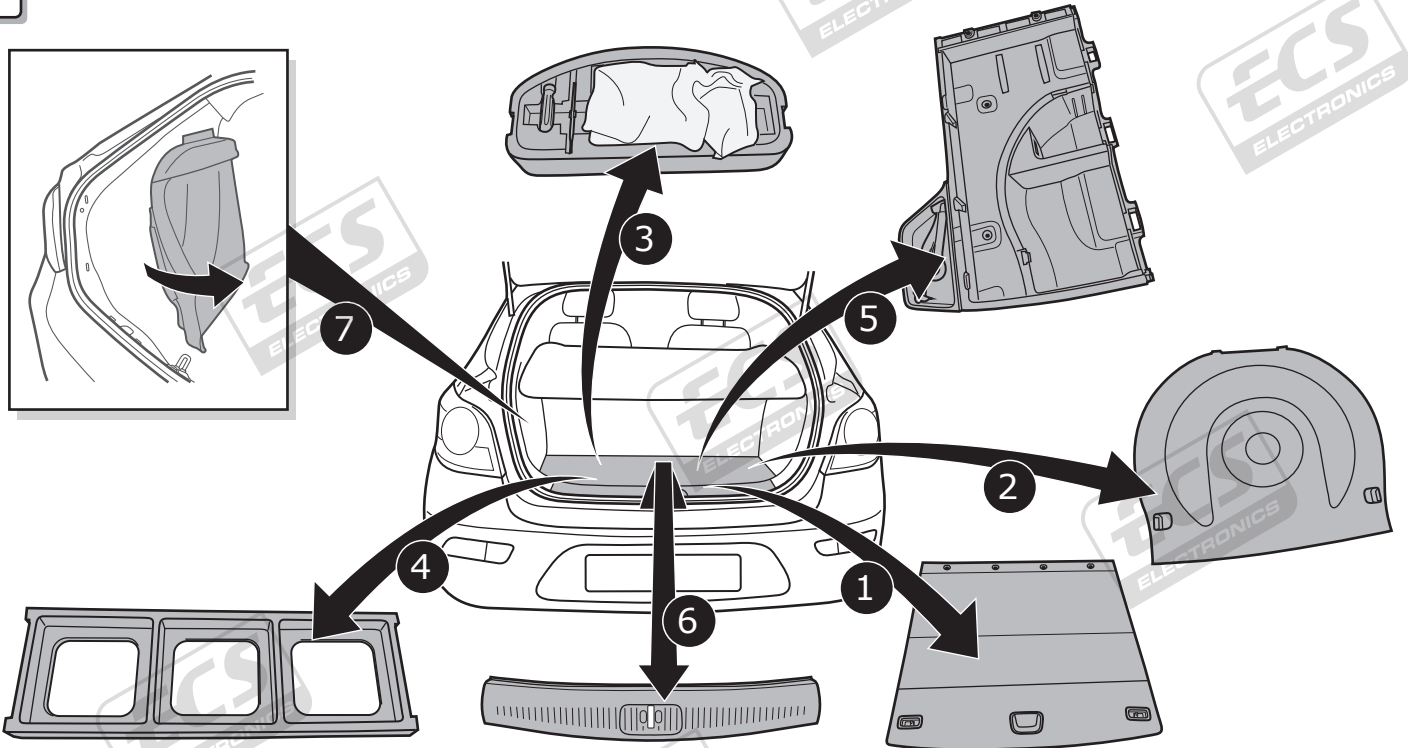
Cruze SW

Pag. 31

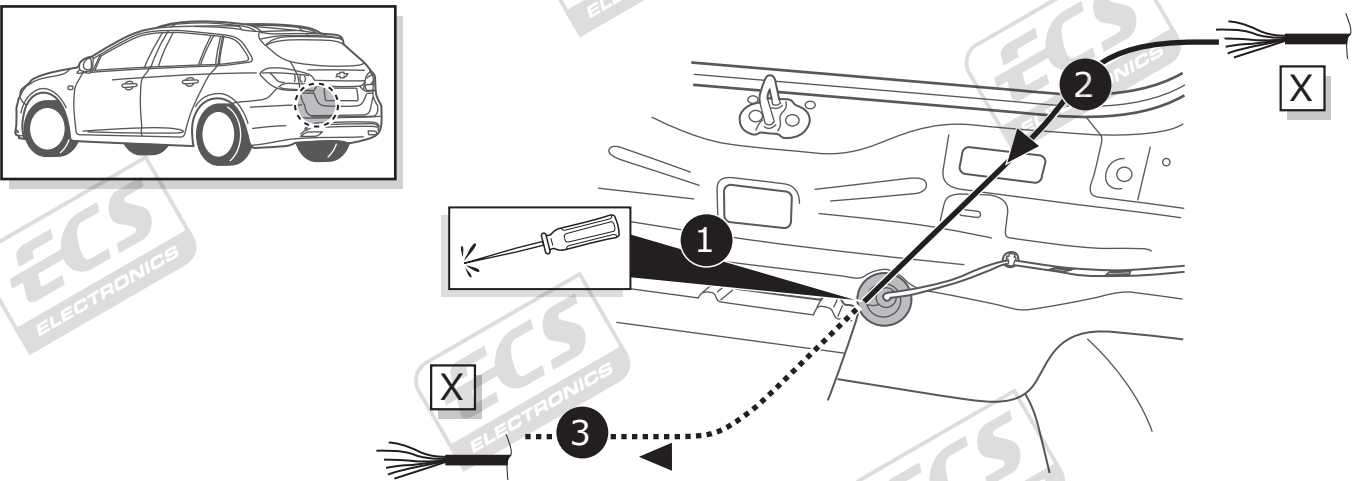
Pag. 33



1



2



3



Pag. 34

4

1

2

3

4

5

1

2

3

10 mm

G I

6

L1

54 STOP

Red/Blue

Purple or Violet/White

Purple or Violet/White

1

2

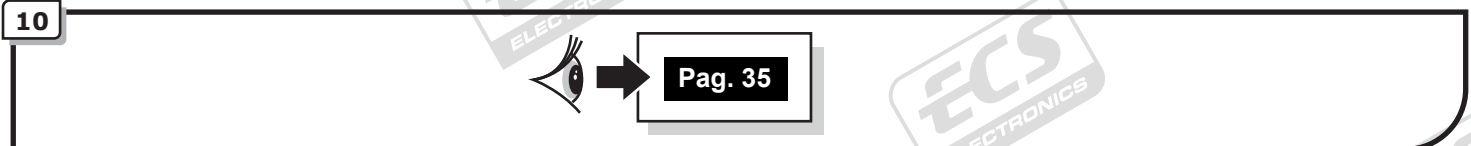
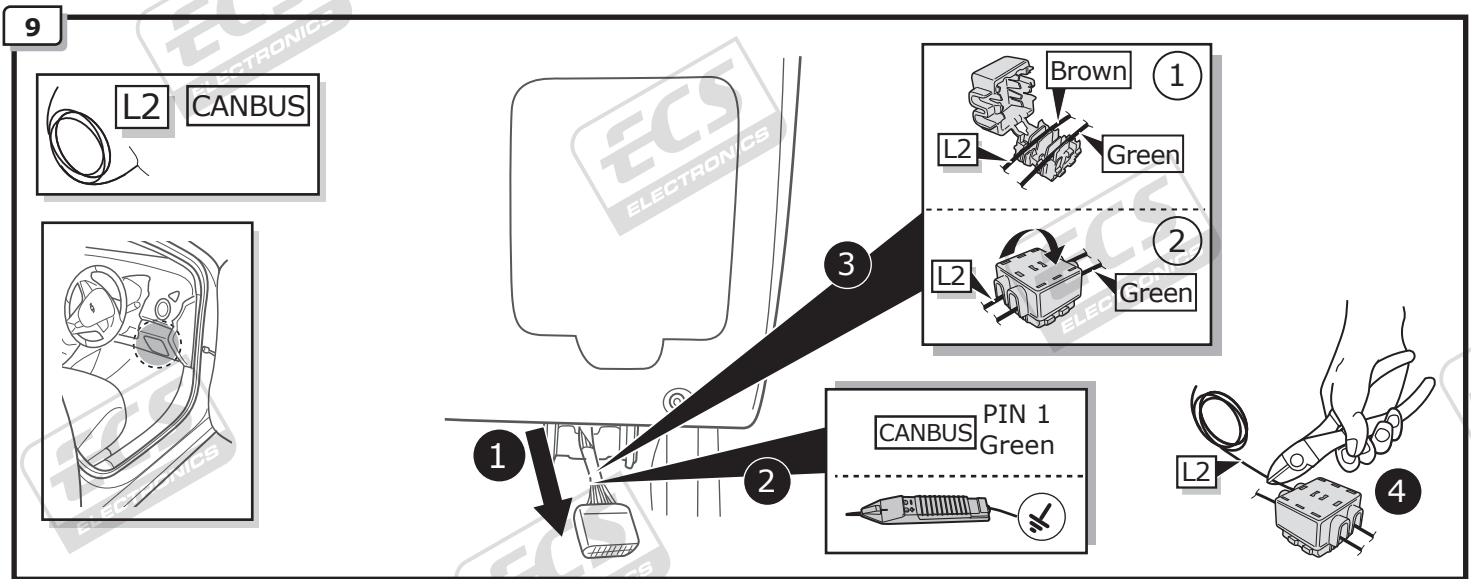
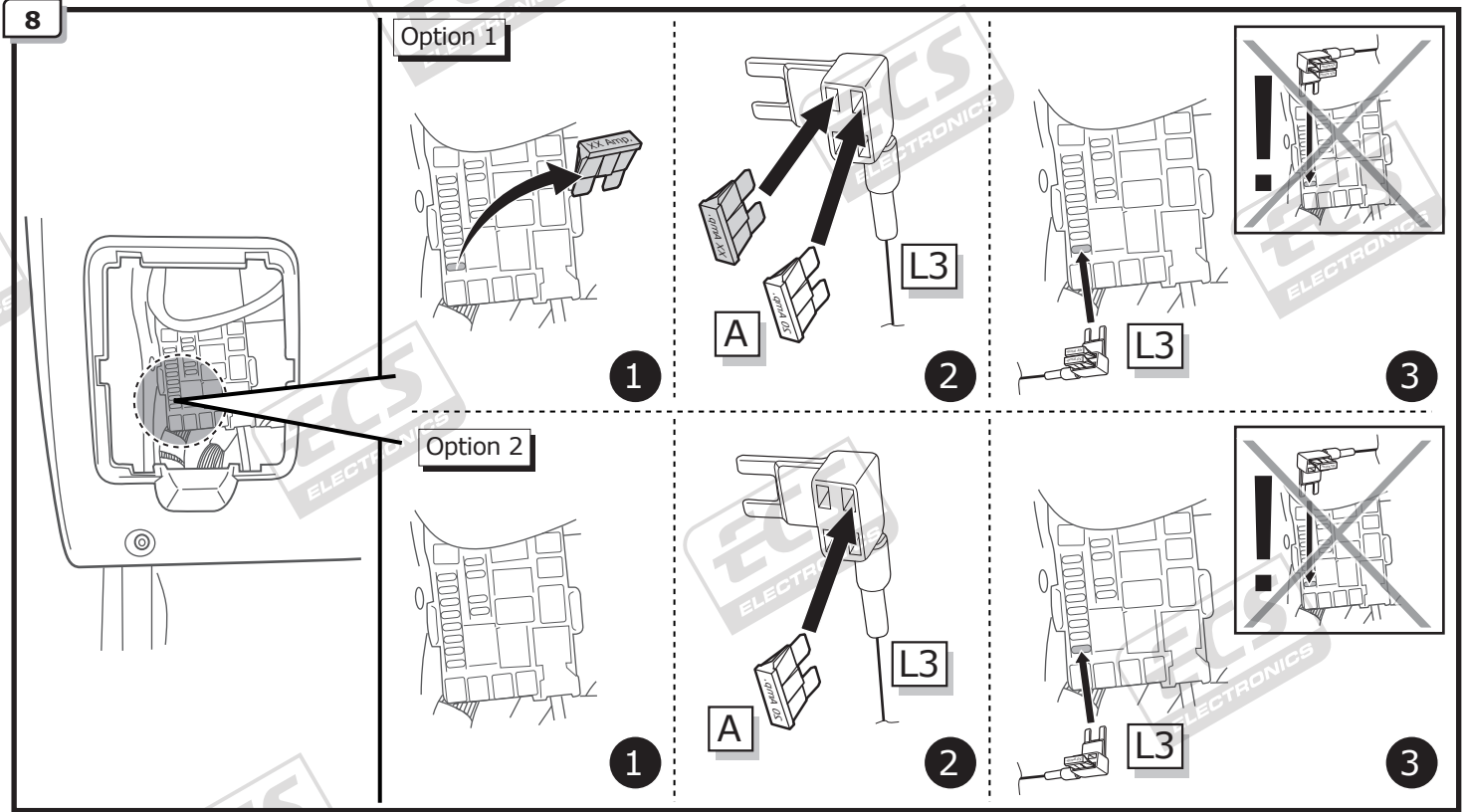
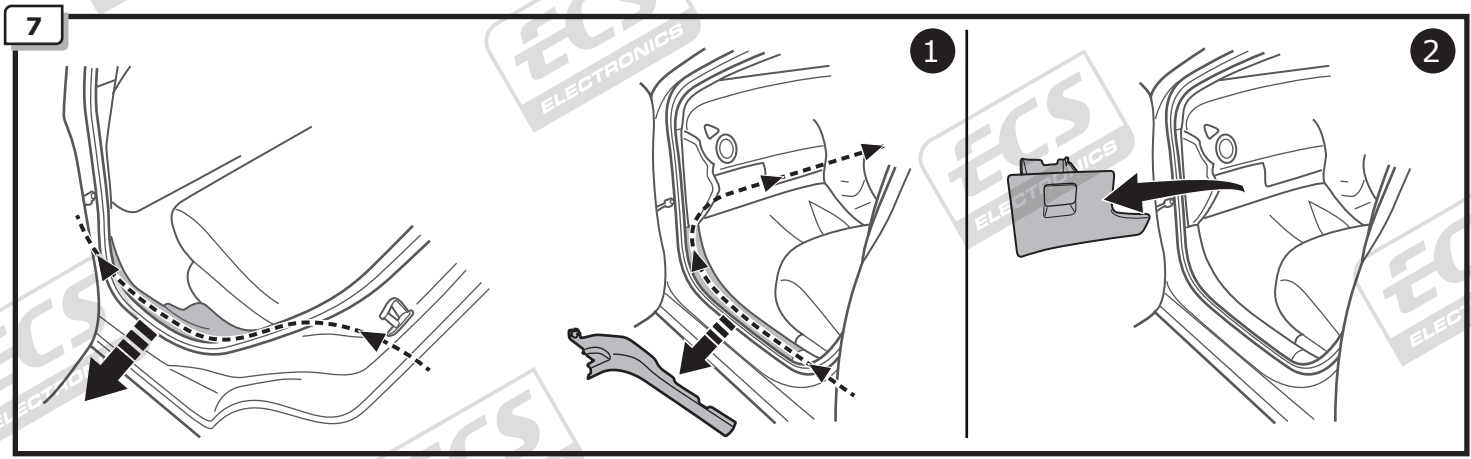
L1

Purple or Violet/White

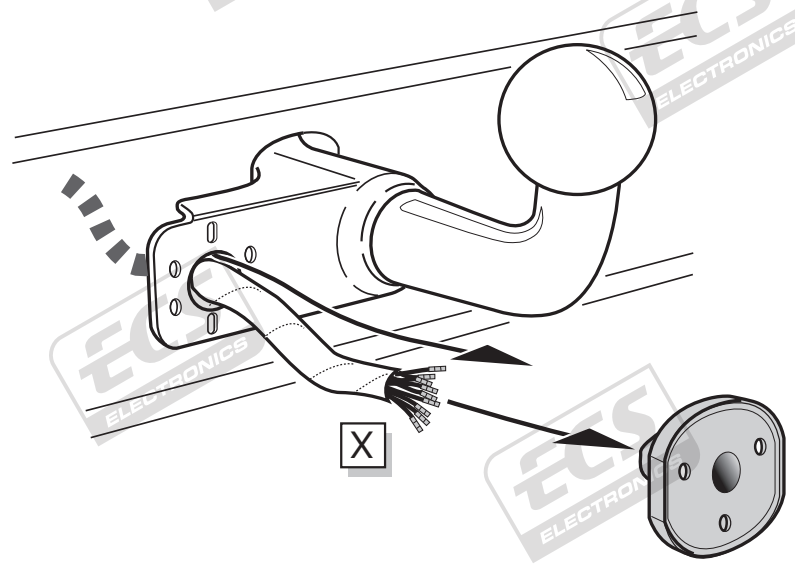
3

L1

4



A



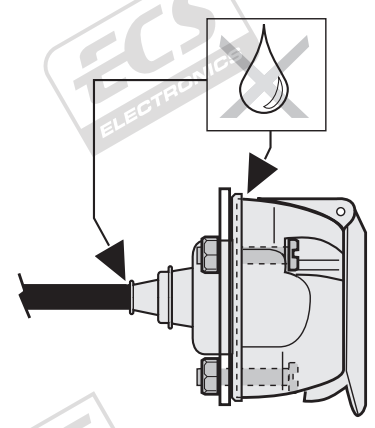
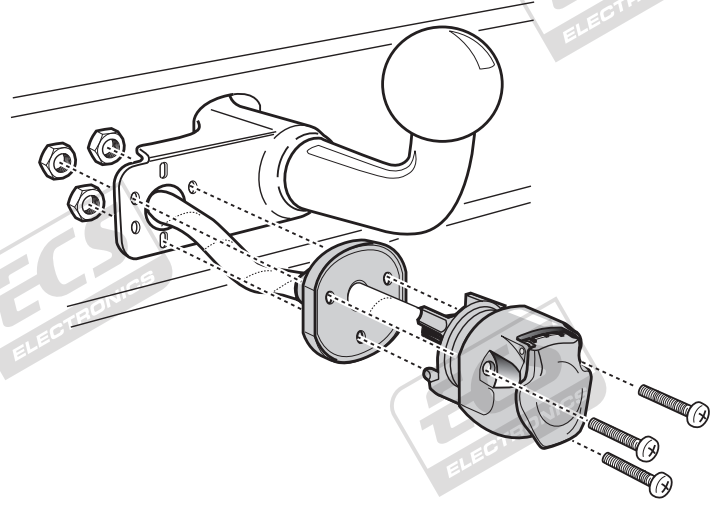
INFO

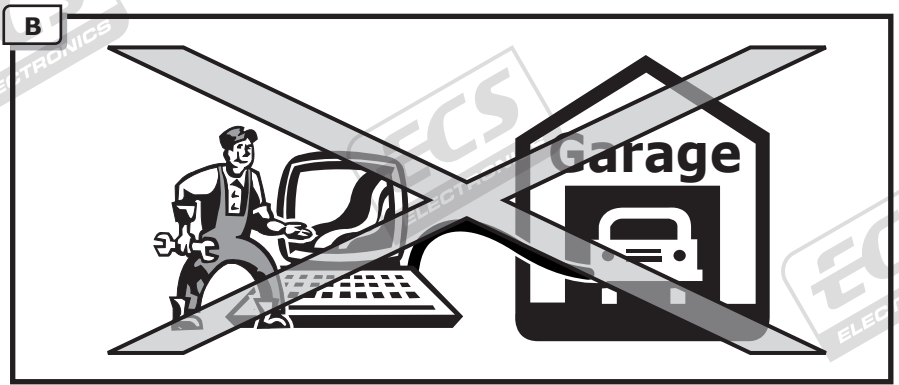
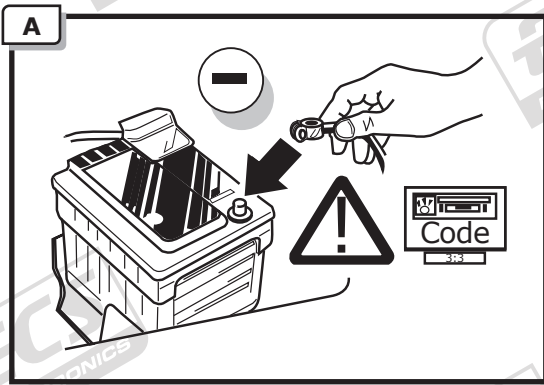
SOCKET CONNECTION



Pag. 36

B



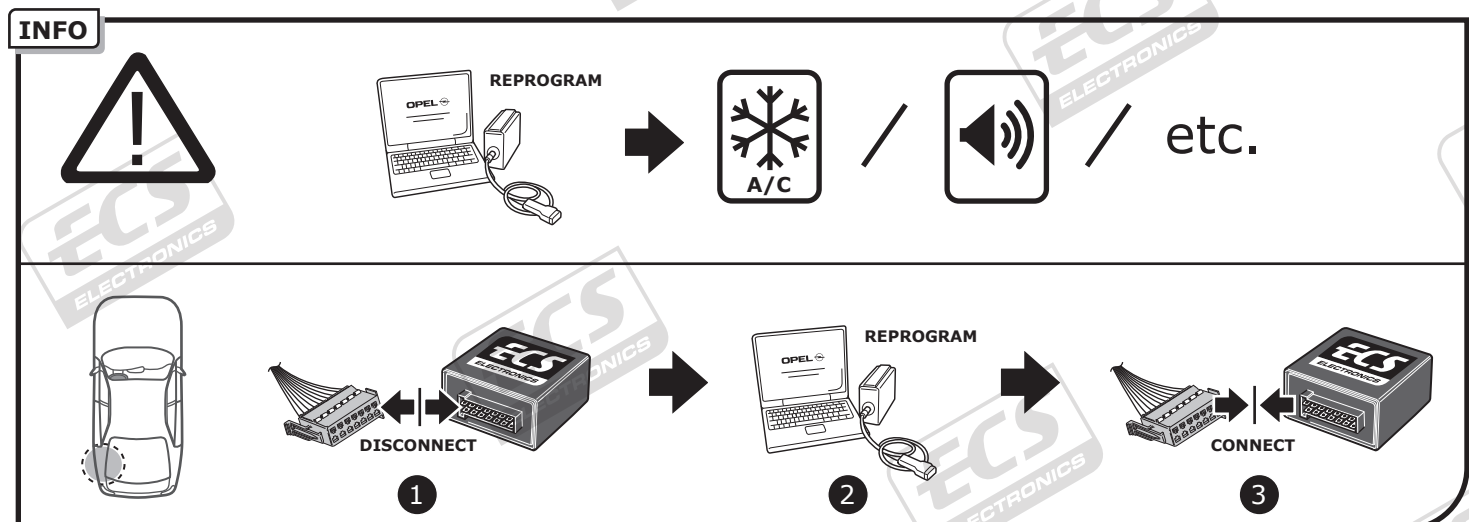
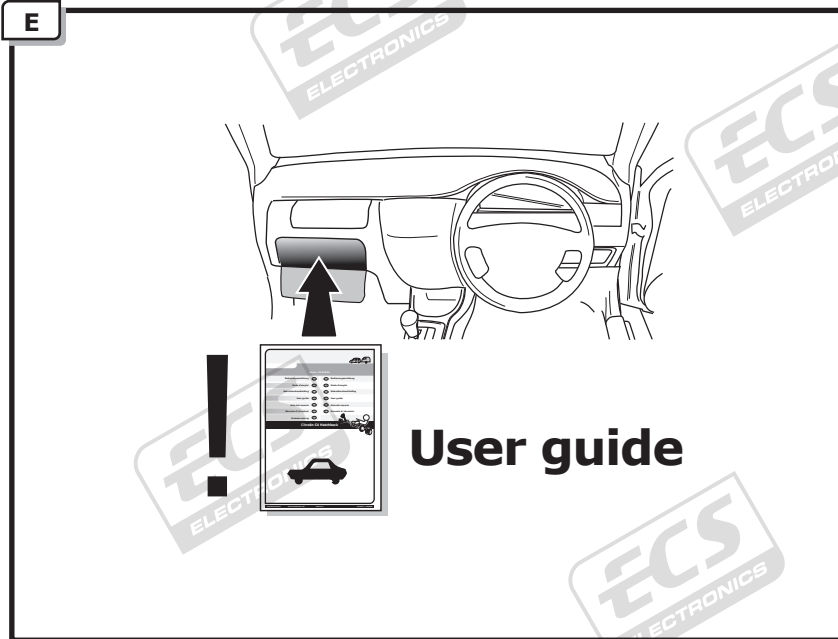


C

! TEST ALL THE CIRCUITS WITH A TEST DEVICE WITH THE CORRECT POWER LOAD FOR EACH FUNCTION. A TEST DEVICE WITH LED'S CANNOT BE USED FOR THIS PURPOSE.

D

REINSTALL TRIM.



SOCKET CONNECTION

DIN/ISO 11446													
	1/L	2	3/31	4/R	5/58-R	6/54	7/58-L	8	9	10	11	12	13
Pmax	21W	21W		21W	42W	3x21W	42W	21W	180W/15Amp	180W/15Amp			
Colour	Yellow	Blue	White	Green	Brown	Red 1,00 mm ²	Black	Black/ Red	Brown/ White	Red 2,50 mm ²	White	-	White