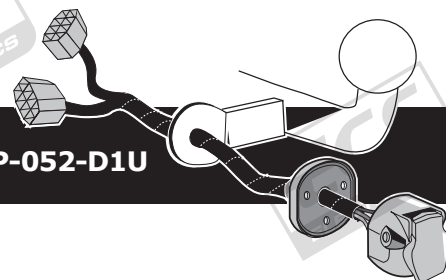




OPEL

Astra J Hatchback	12/2009 >>
Astra J Station Wagon	12/2010 >>
Astra Station Wagon	2012 >>
Astra Sedan	2012 >>
Astra GTC	2011 >>
Corsa E	09/2014 >> 10/2019

Partnr.: OP-052-D1U



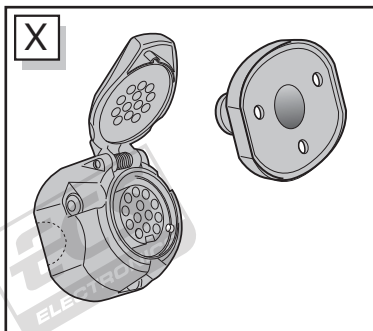
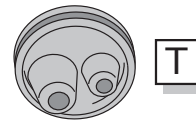
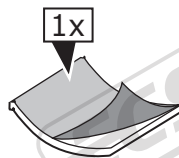
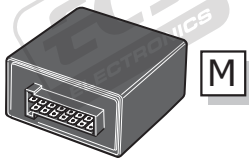
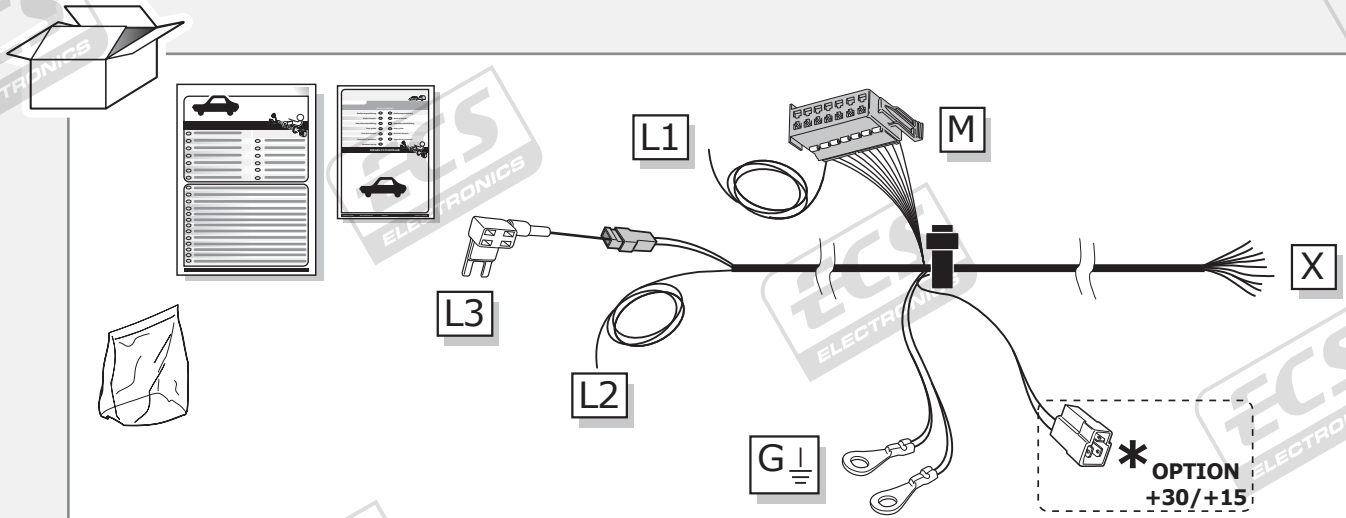
- Fitting instructions electric wiring kit tow bar with 13-P socket up to DIN/ISO Norm 11446.
- We would expressly point out that assembly not carried out properly by a competent installer will result in cancellation of any right to damage compensation, in particular those arising by virtue of the product liability act.
- Contents of these kits and their fitting manuals are subject to alteration without notice, please ensure that these instructions are read and fully understood before commencing installation.
- Do not overload circuits; the maximum loads per connection are detailed in this manual.
- Attention! Before Installation, please read this manual carefully and inform your customer to consult the vehicle owners manual to check for any vehicle modifications required before towing.
- In the event of functional problems, troubleshooting must be limited to about 0.5 hours, contact the technical support:
t.skinner@ecs-electronics.com / 07440 202 052.

TECHNICAL SUPPORT

CALL
07440
202
052

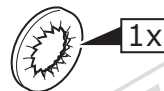
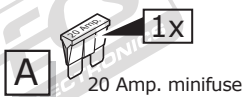
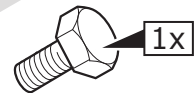
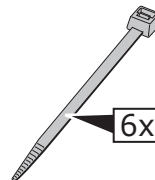
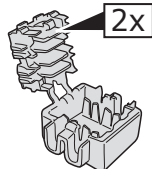
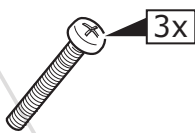
ECS ELECTRONICS
MONDAY TO FRIDAY
08.00 - 11.00 am
12.00 - 05.00 pm
t.skinner@ecs-electronics.com
www.ecs-electronicsuk.co.uk

Part list

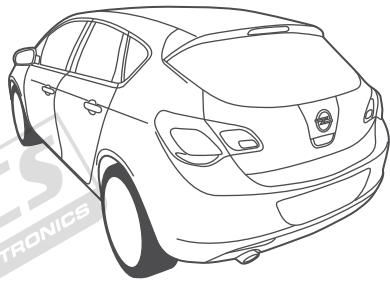


*** OPTION +30/+15**
preparation for

+30	+15
Brown/White	Red



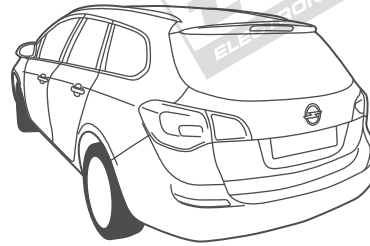
INFO



Astra HB

Pag. 4

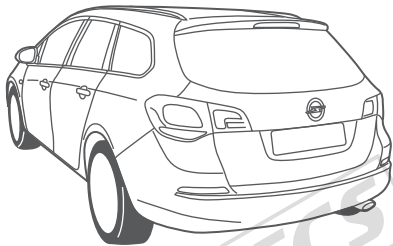
-
Pag. 6



**Astra ST
-2012**

Pag. 7

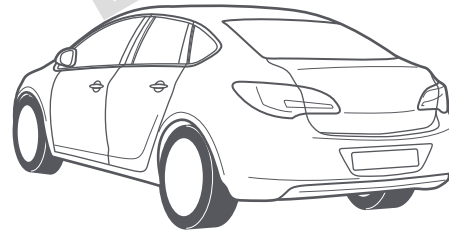
-
Pag. 9



**Astra ST
2012-**

Pag. 10

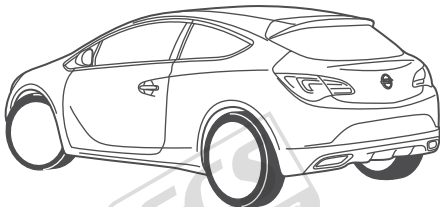
-
Pag. 12



Astra SD

Pag. 13

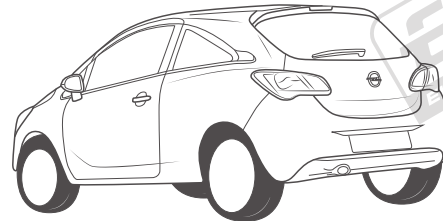
-
Pag. 15



Astra GTC

Pag. 16

-
Pag. 17

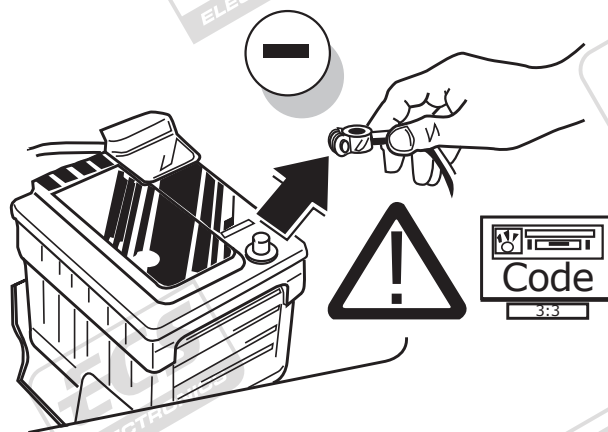


Corsa E

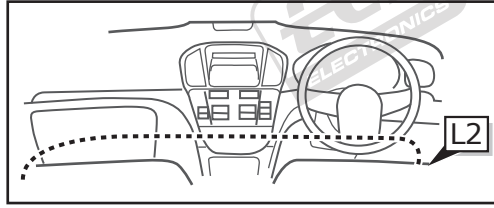
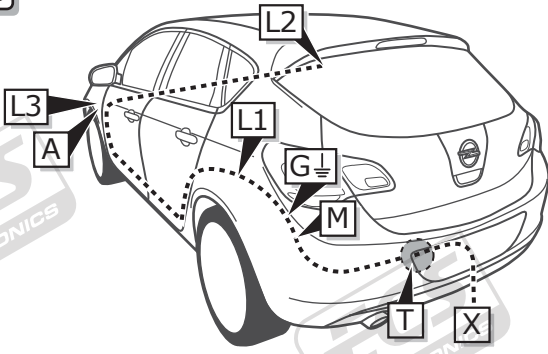
Pag. 18

-
Pag. 22

INFO



INFO

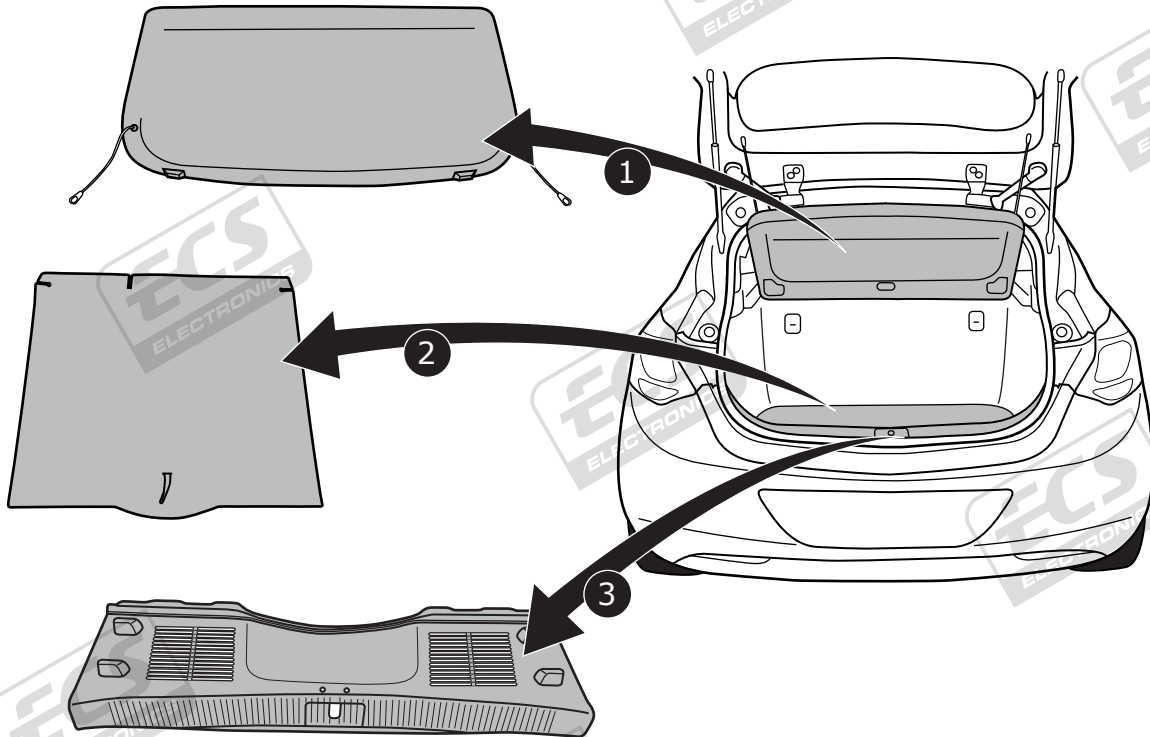


Astra HB

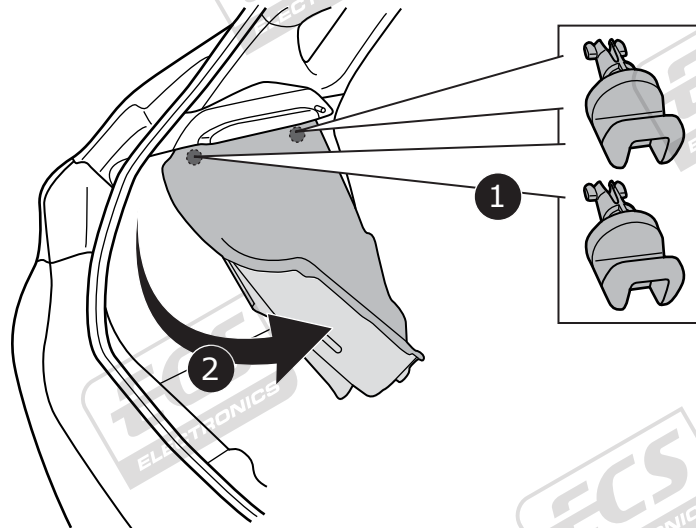
Pag. 4

-
Pag. 6

1

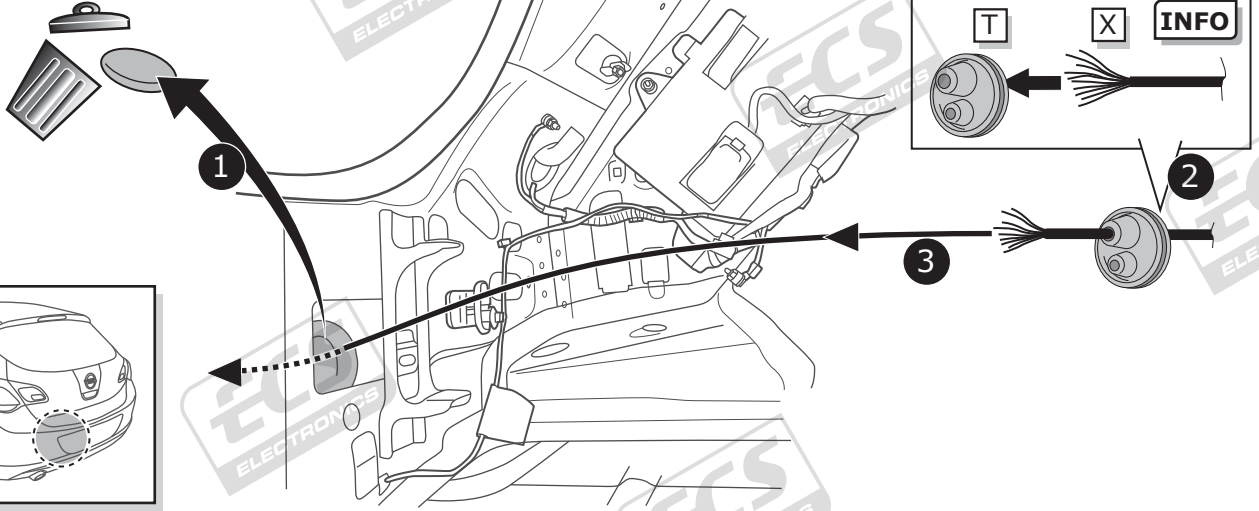
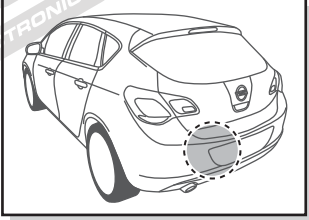


2

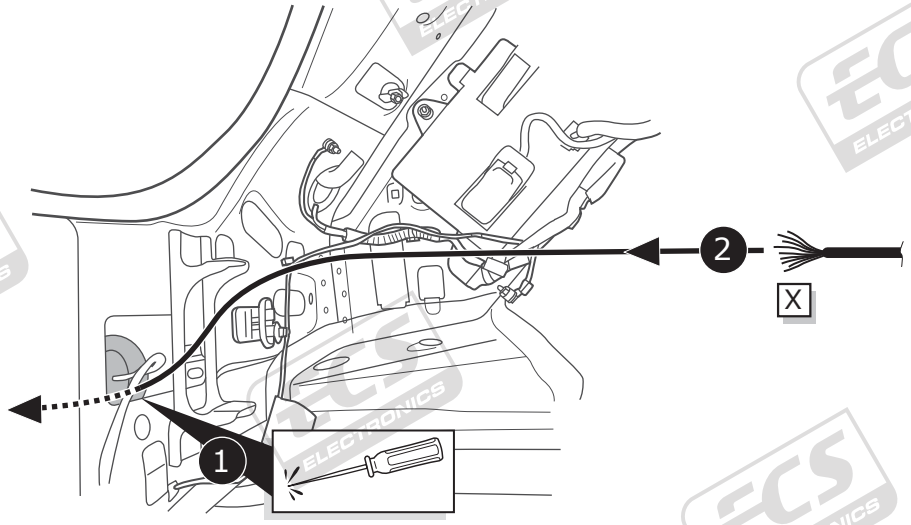
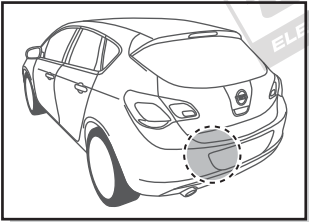


3

Option 1



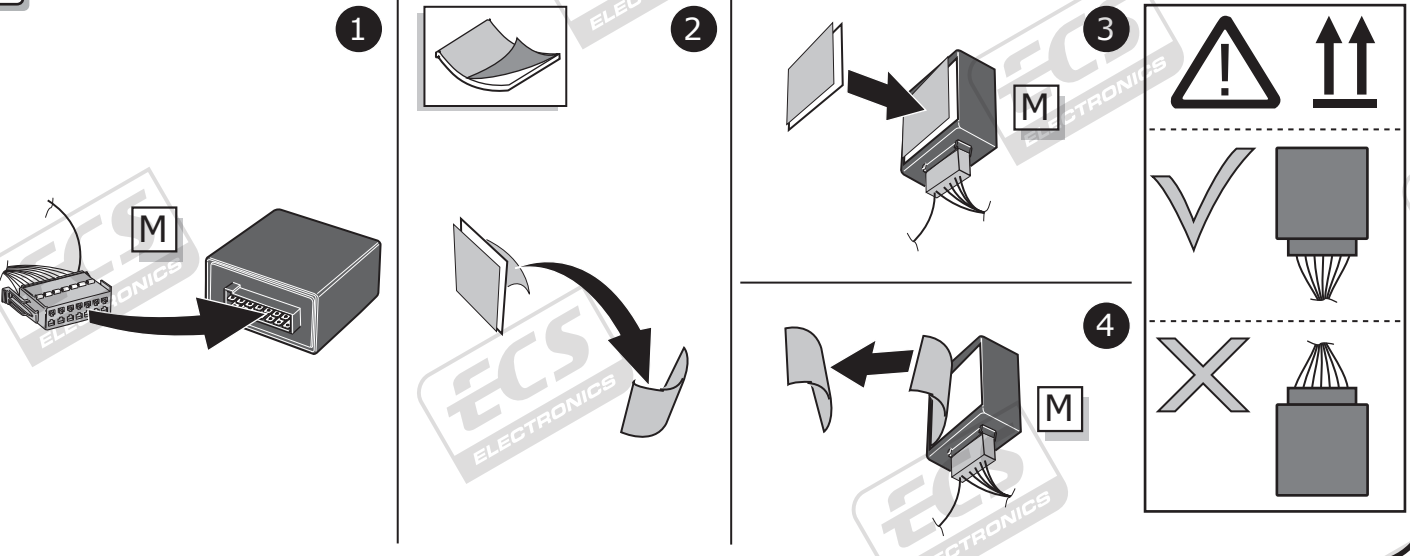
Option 2

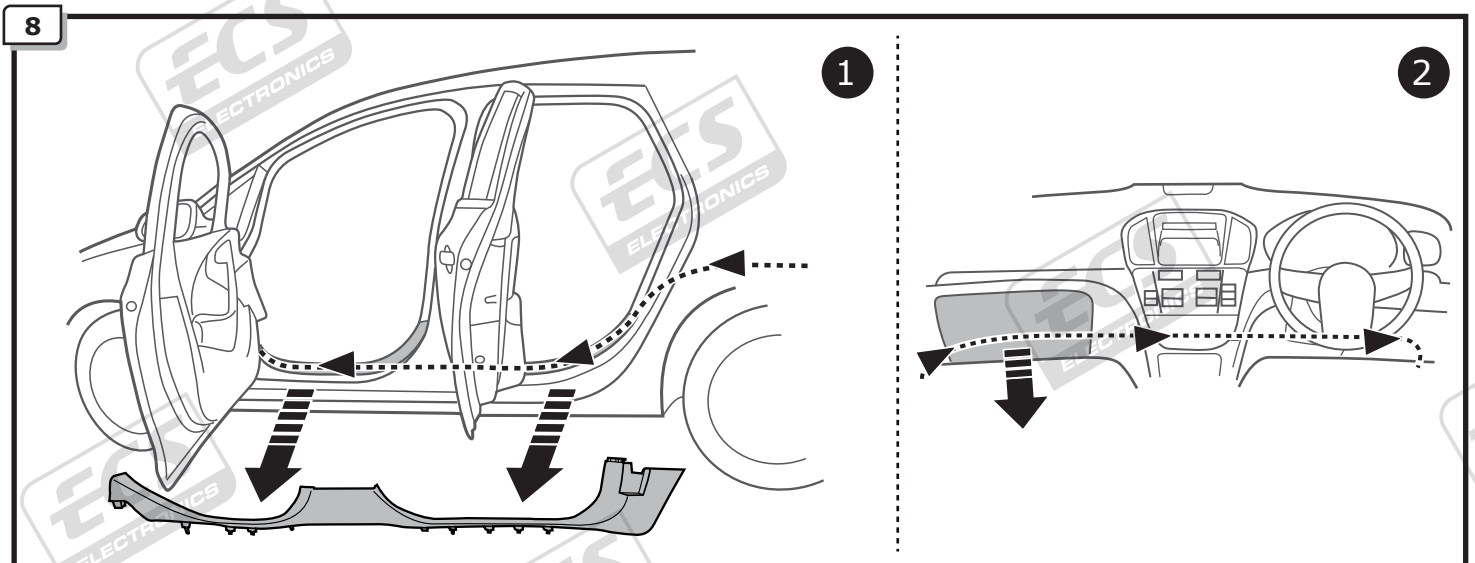
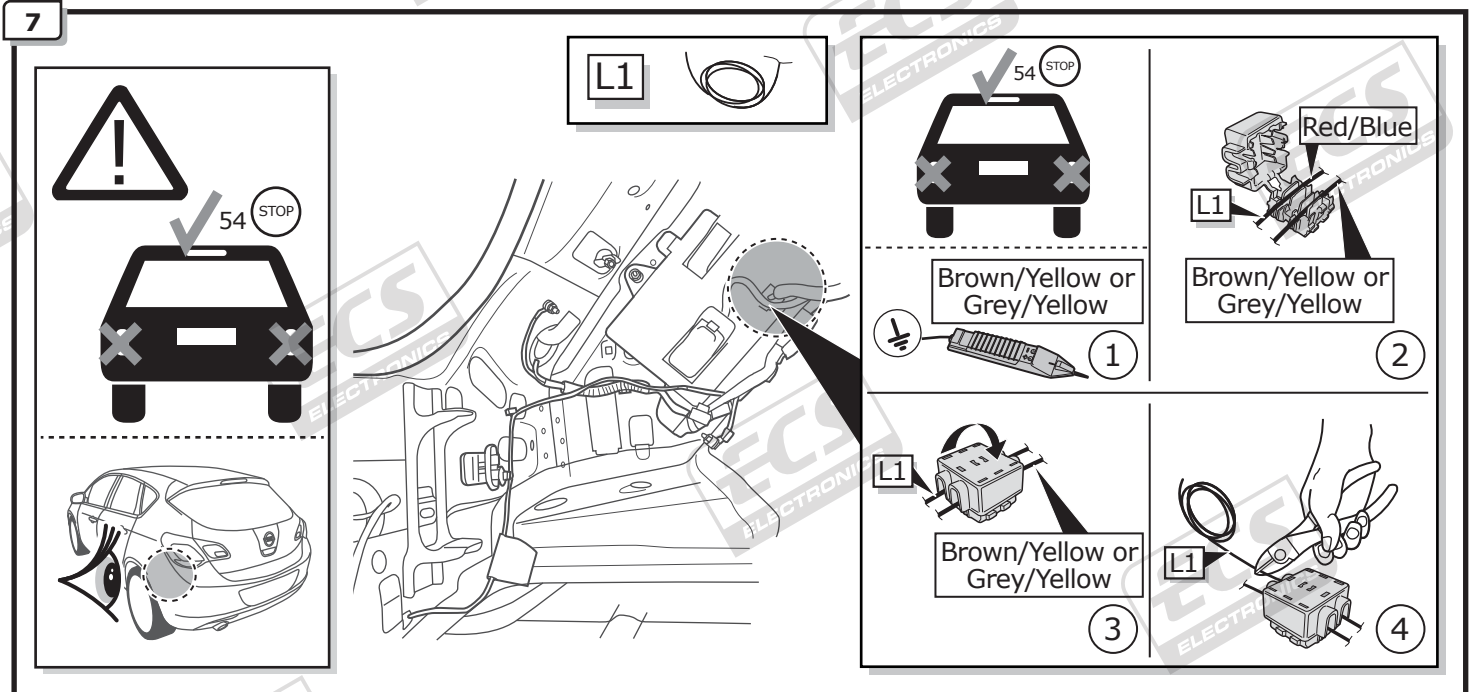
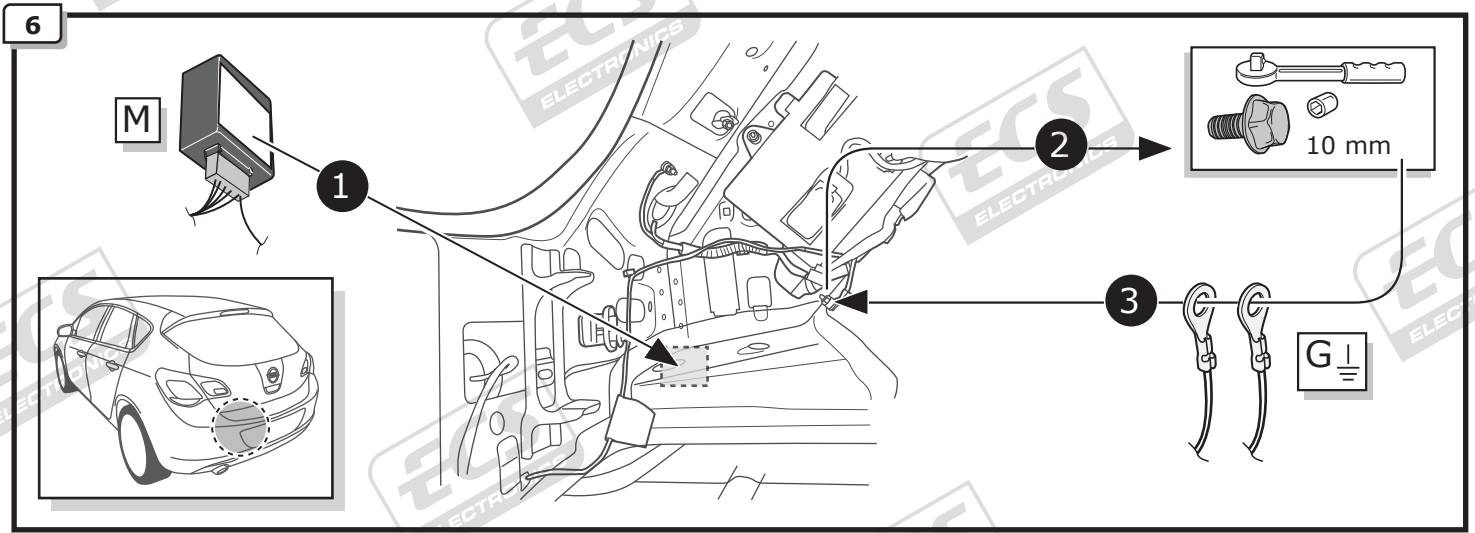


4

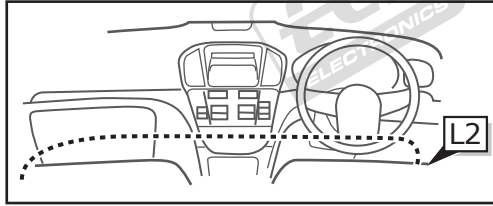
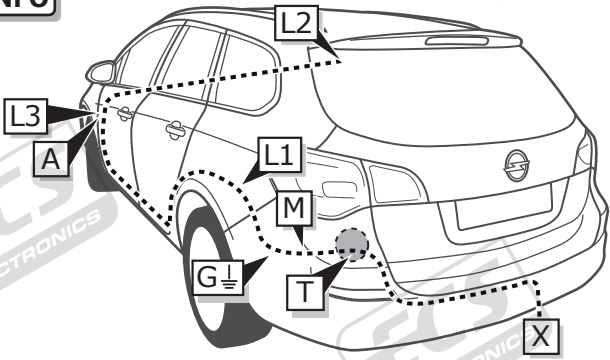


5





INFO

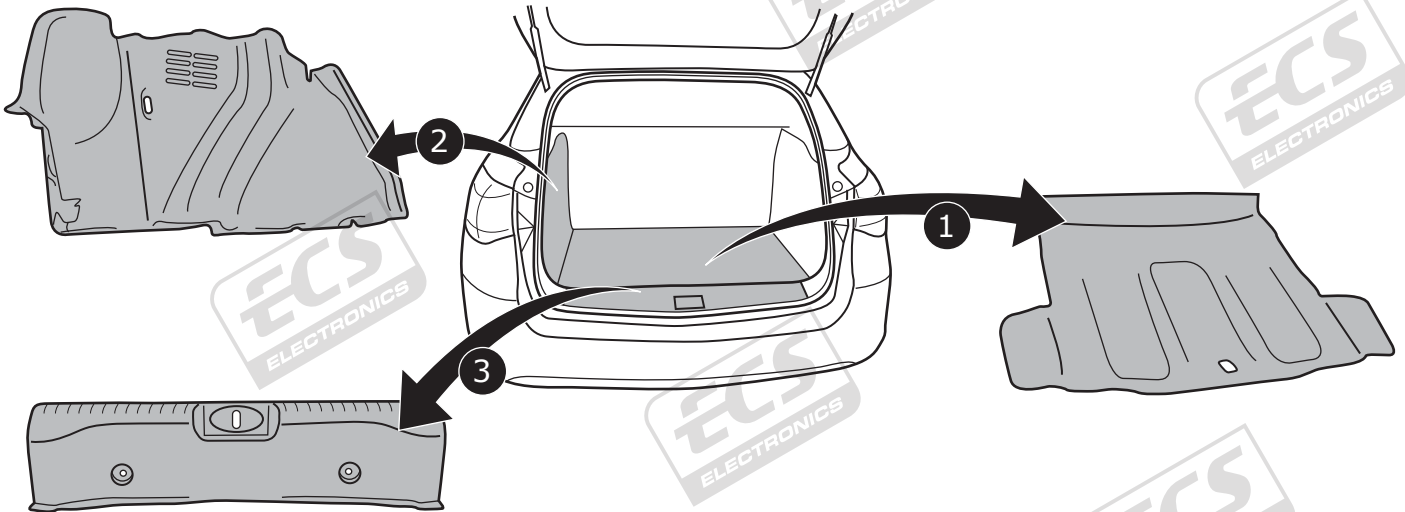


Astra ST
-2012

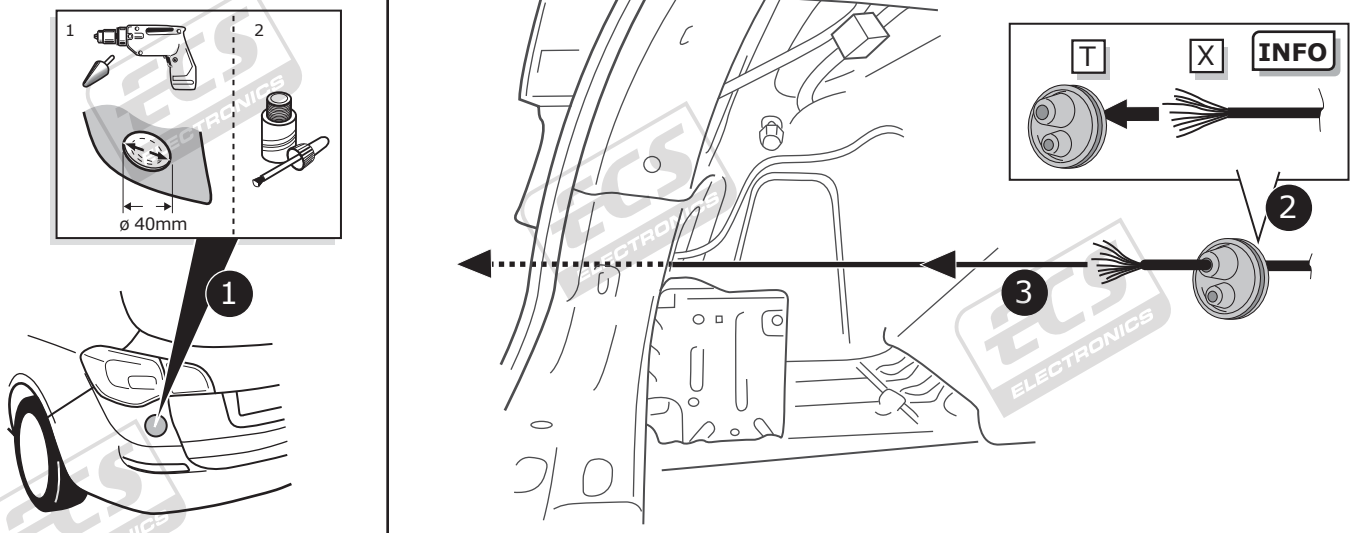
Pag. 7

Pag. 9

1

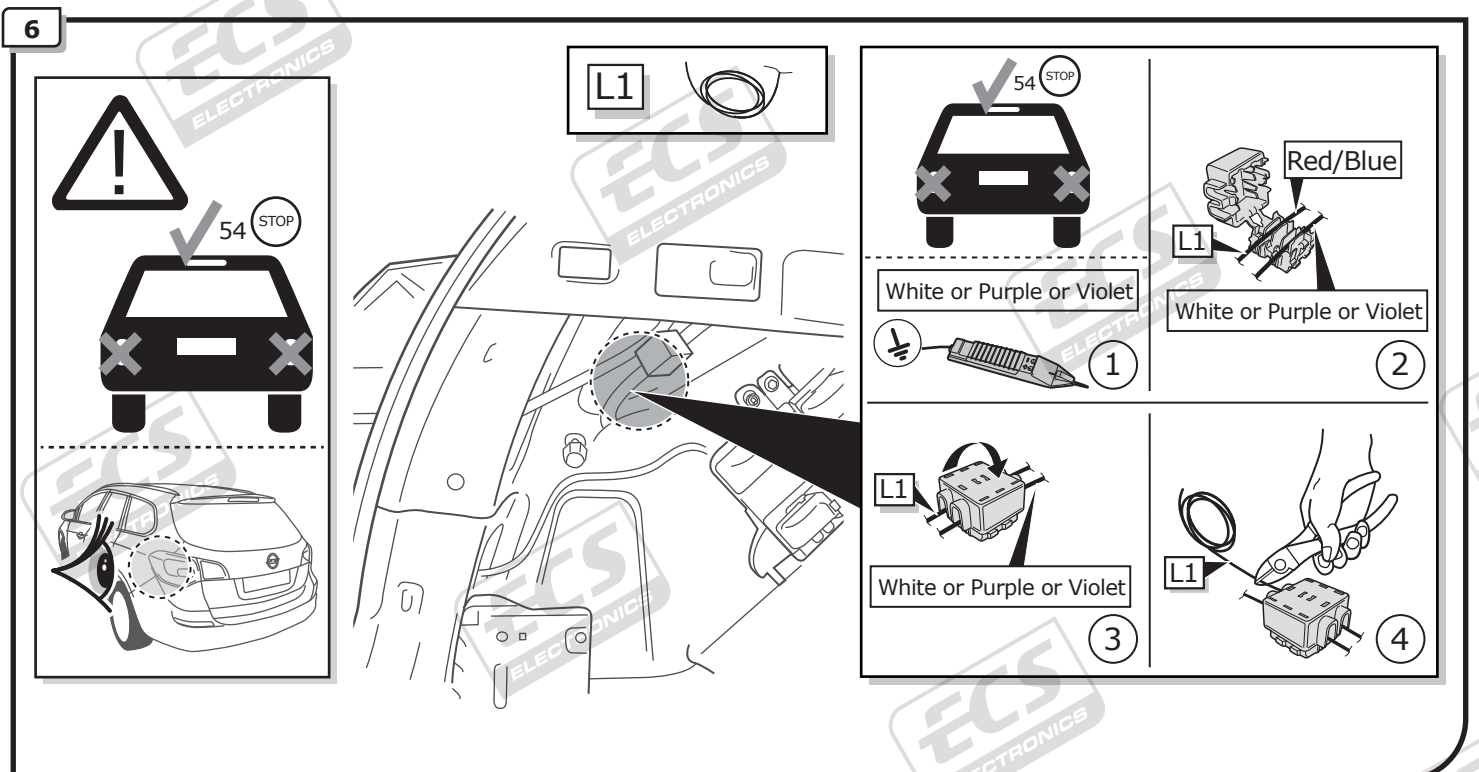
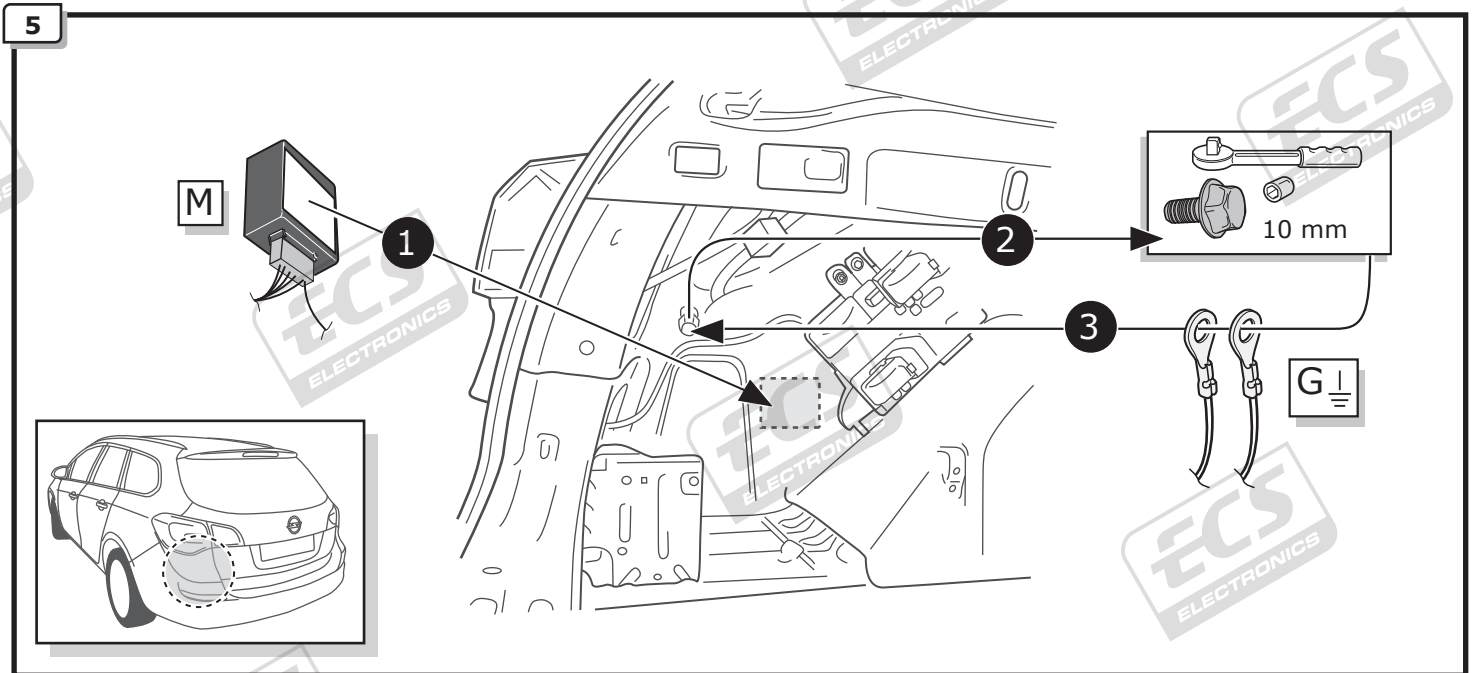
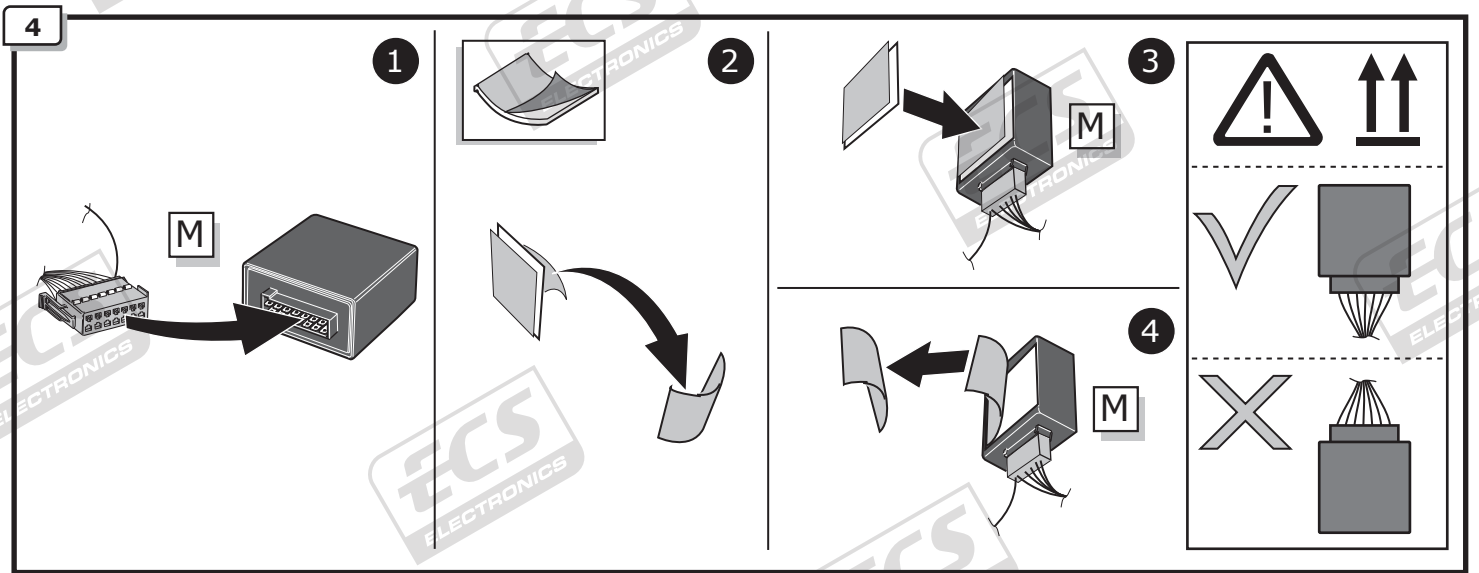


2

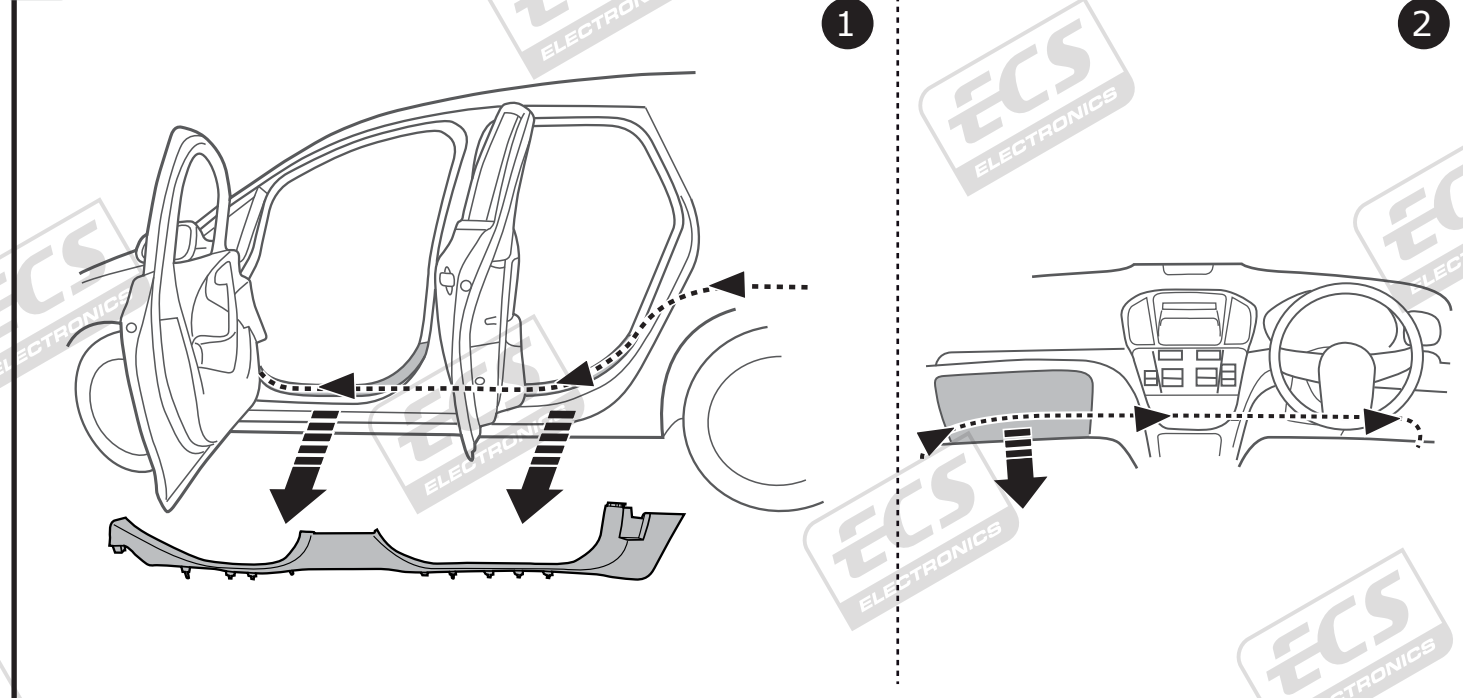


3





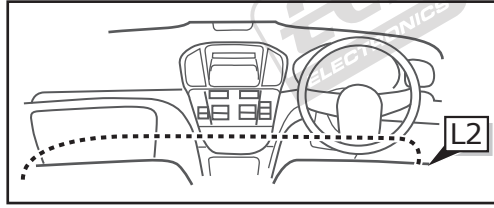
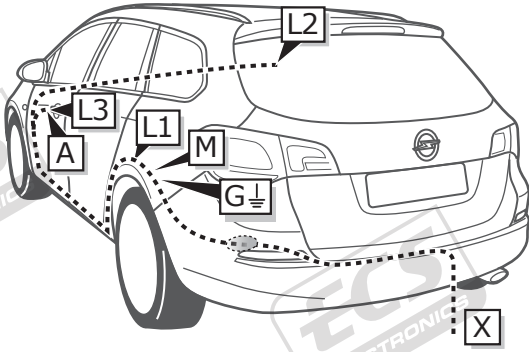
7



8

 **Pag. 23 - Pag. 24**

INFO

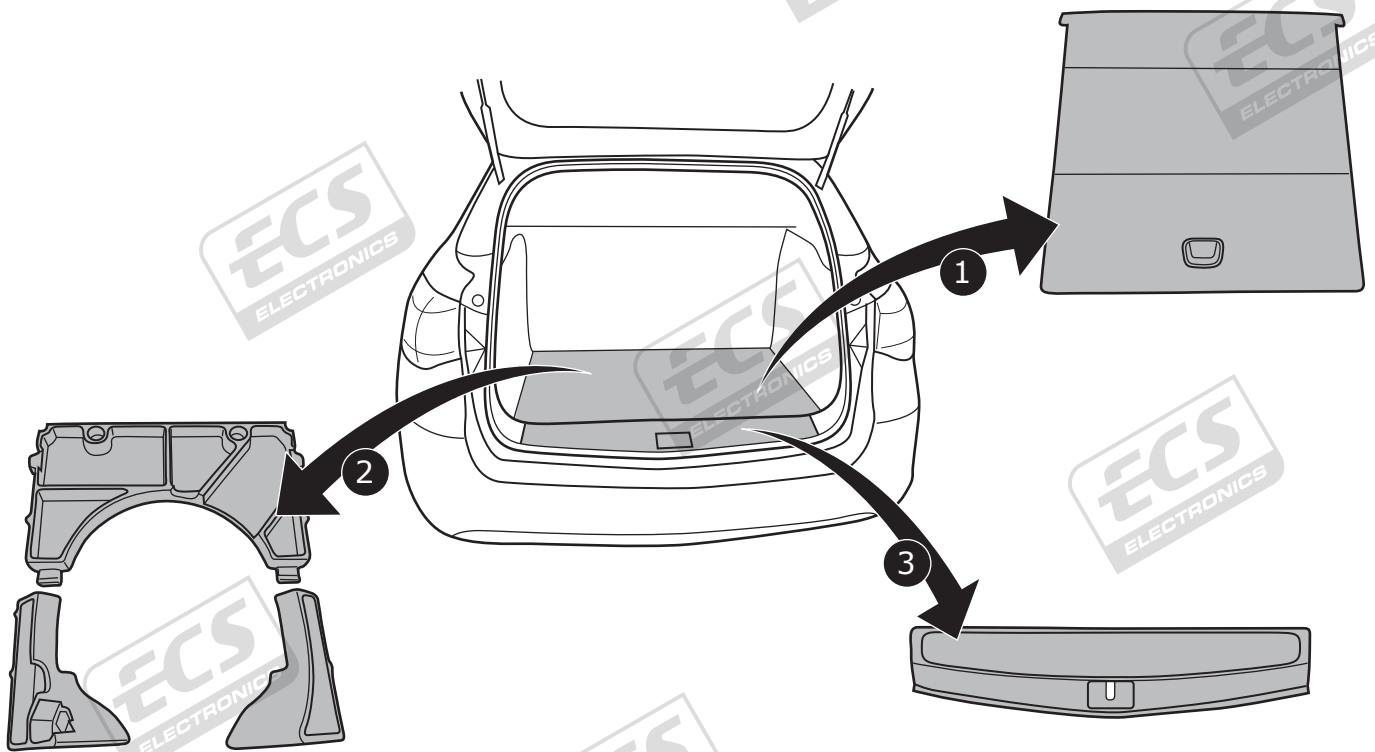


**Astra ST
2012-**

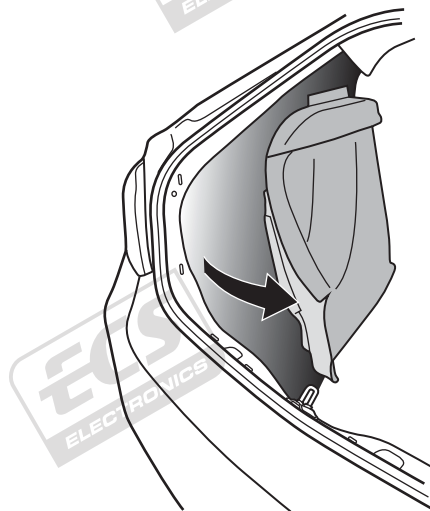
Pag. 10

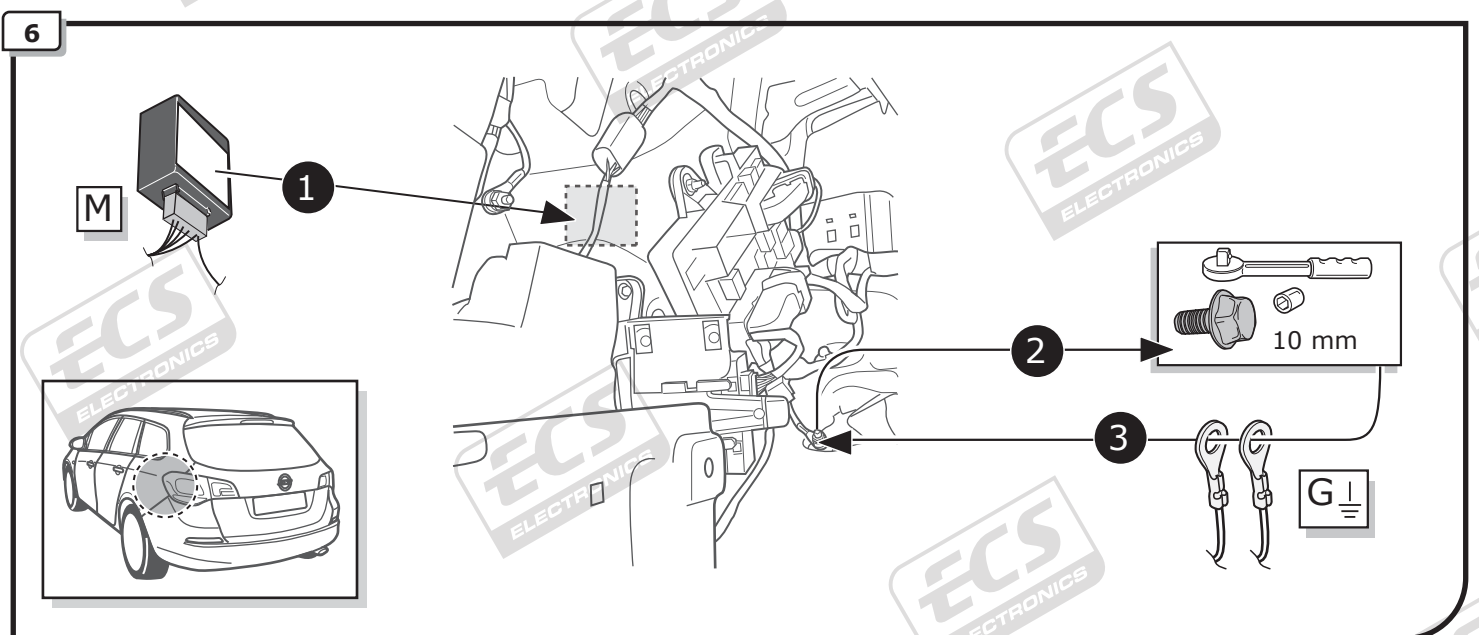
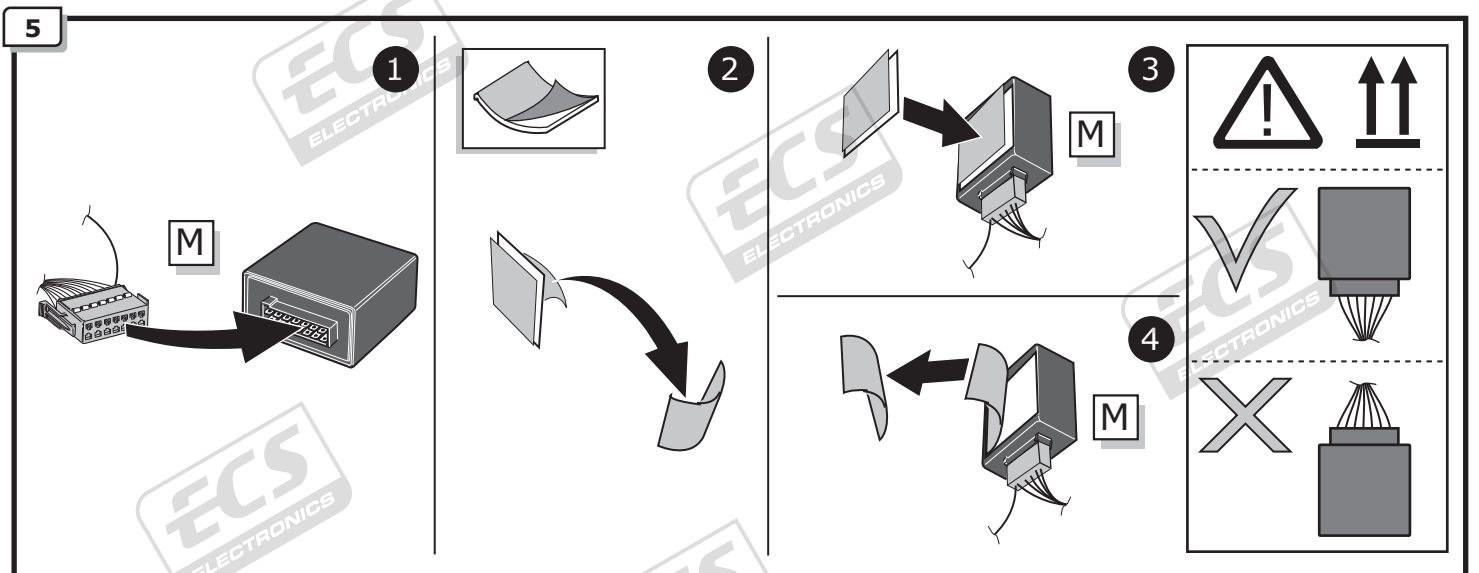
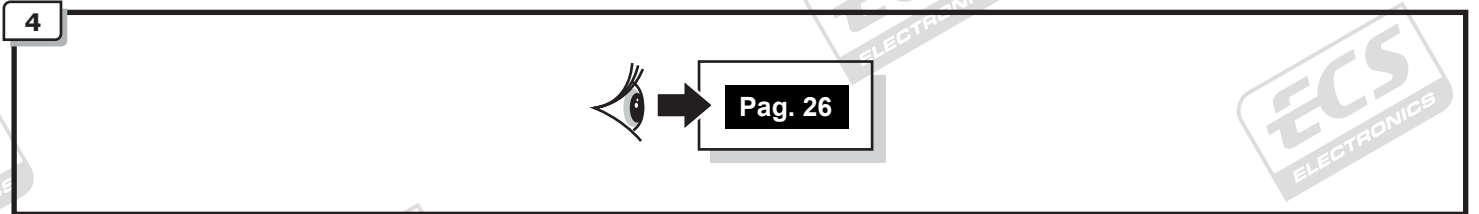
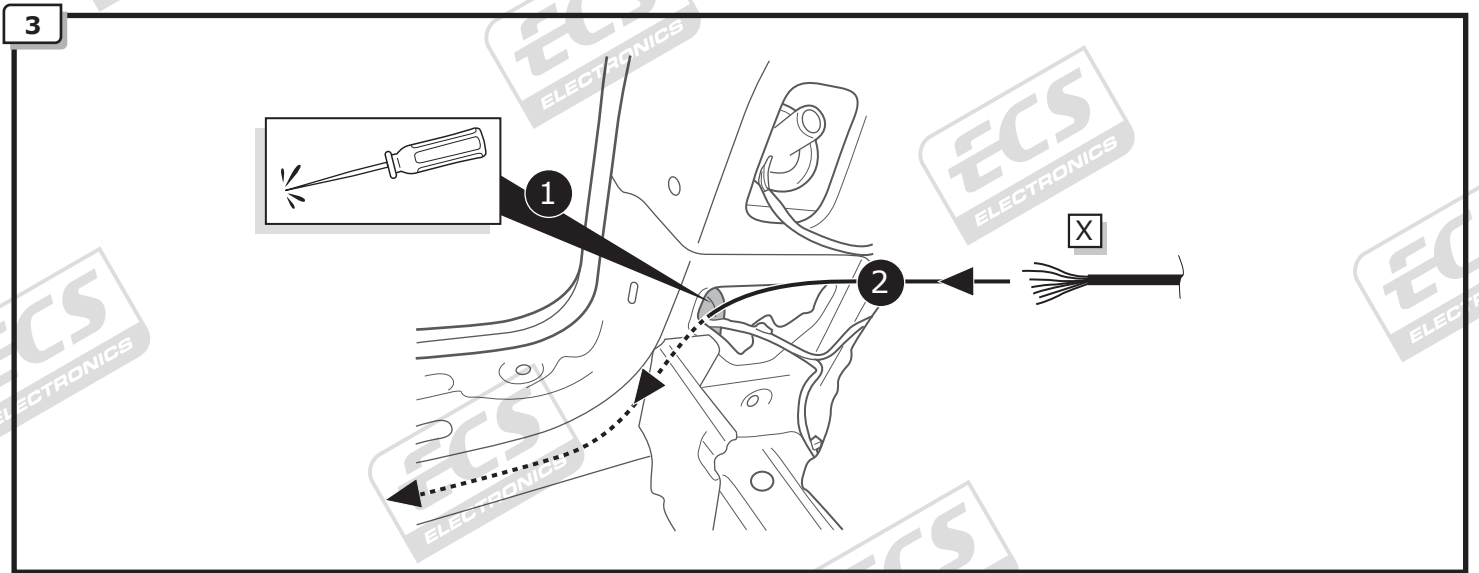
Pag. 12

1



2





7



54 STOP



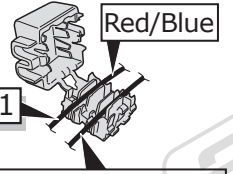
L1



54 STOP



L1



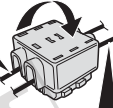
Purple or Violet/White



1

2

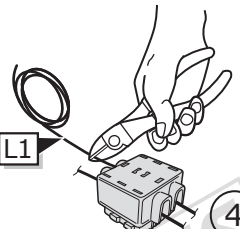
L1



Purple or Violet/White

3

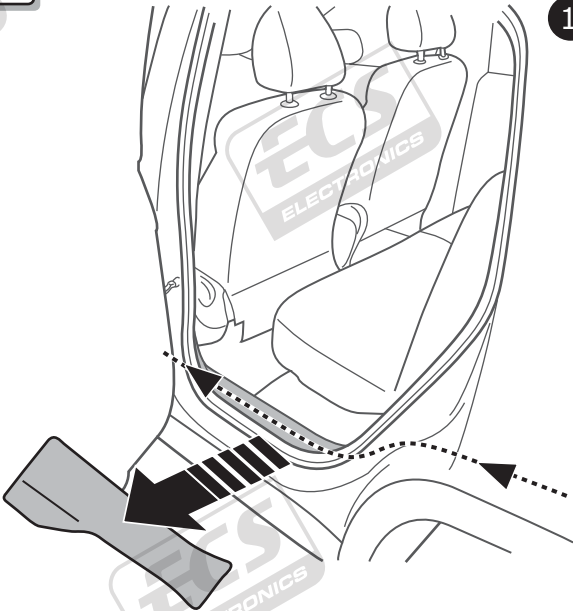
L1



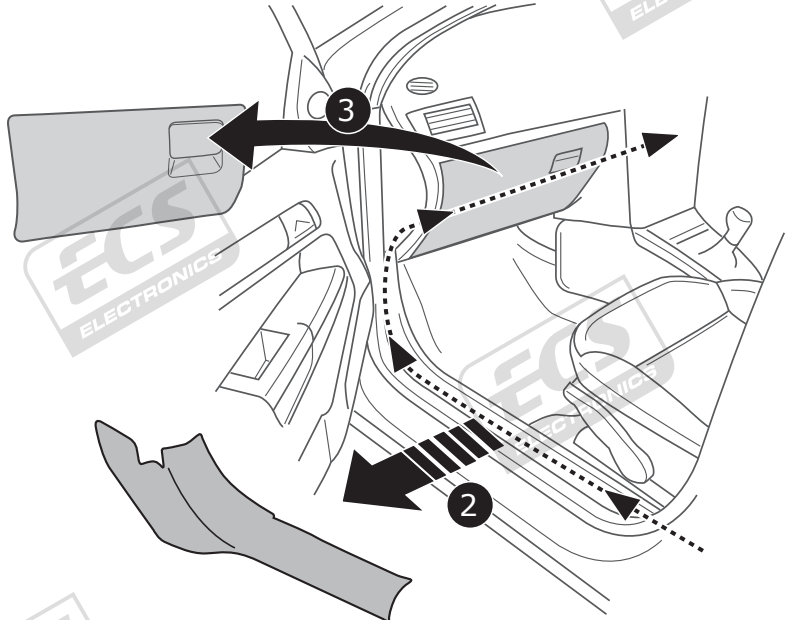
4

8

1

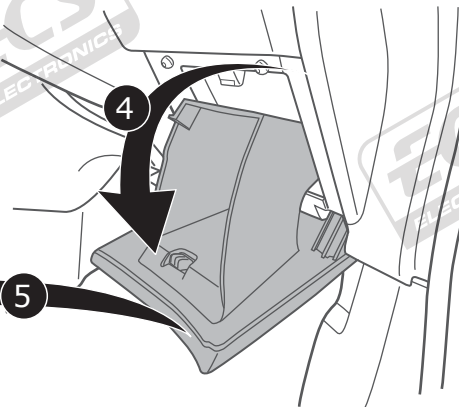


3

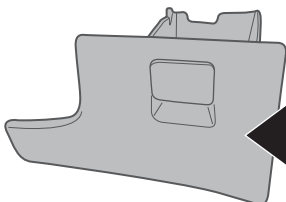


2

4



5

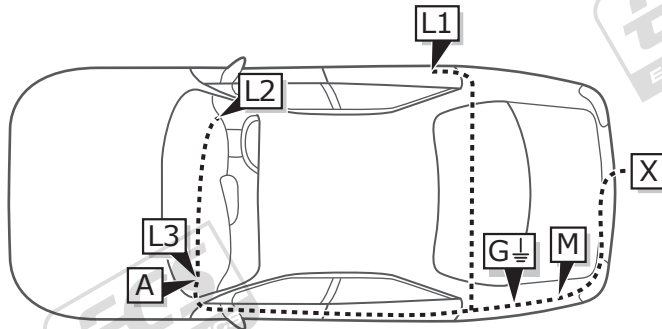


9



Pag. 23 - Pag. 24

INFO

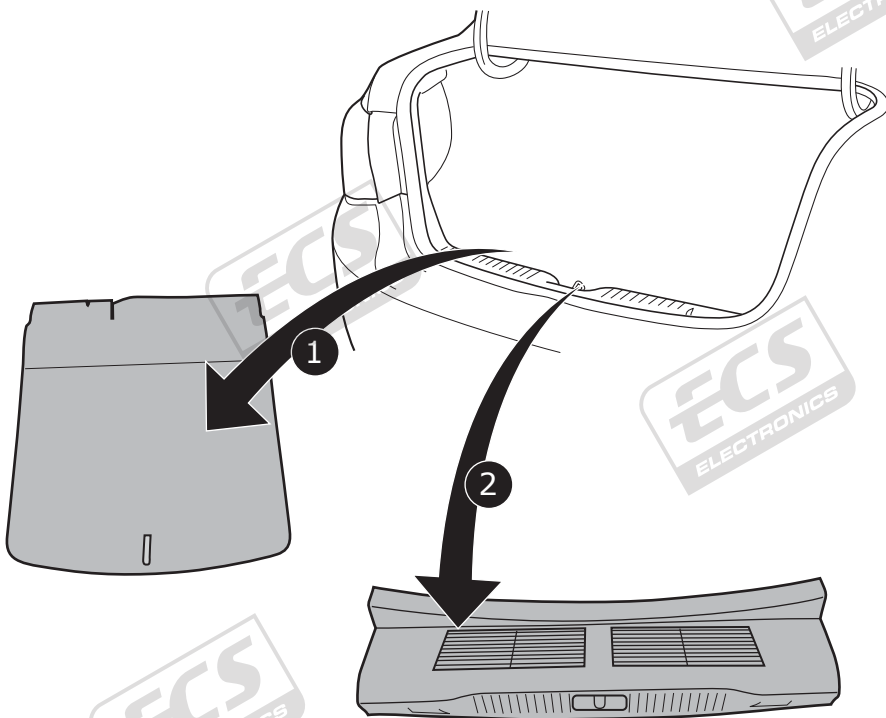


Astra SD

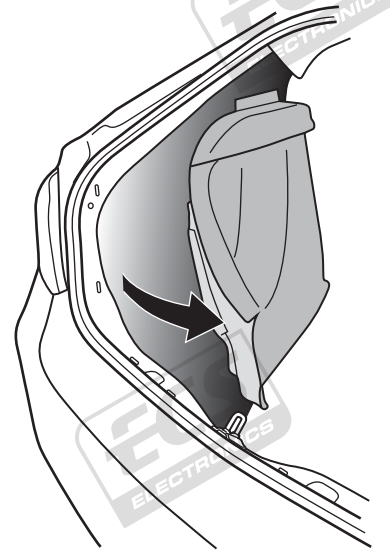
Pag. 13

Pag. 15

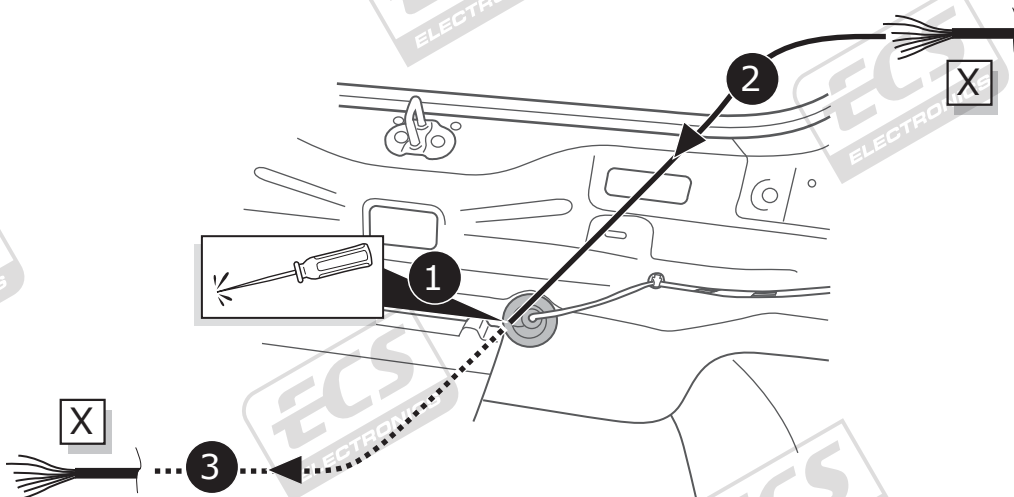
1



2



3

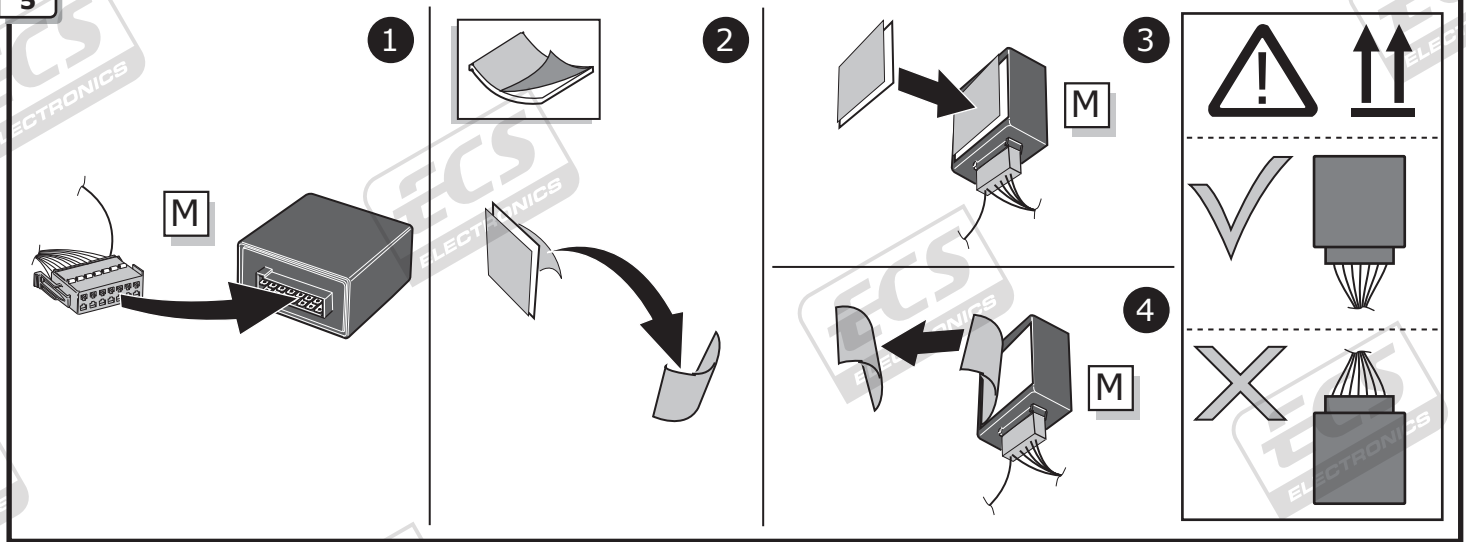


4

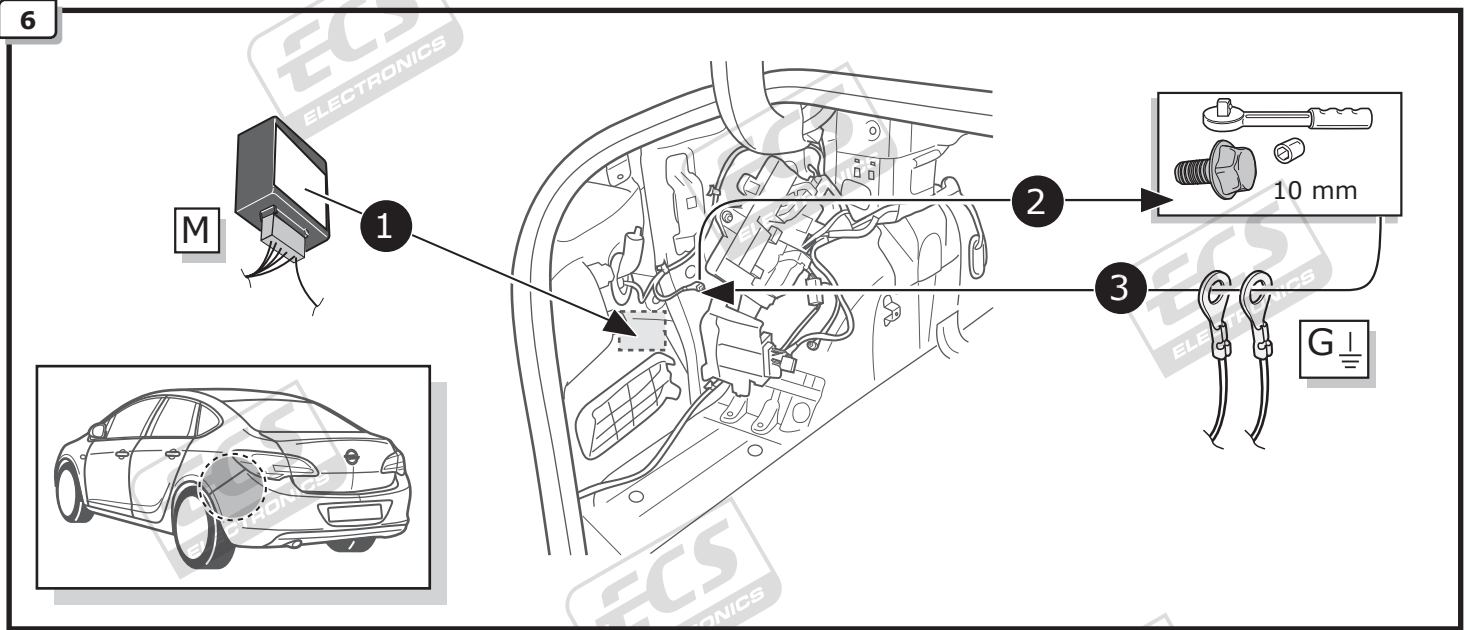


Pag. 26

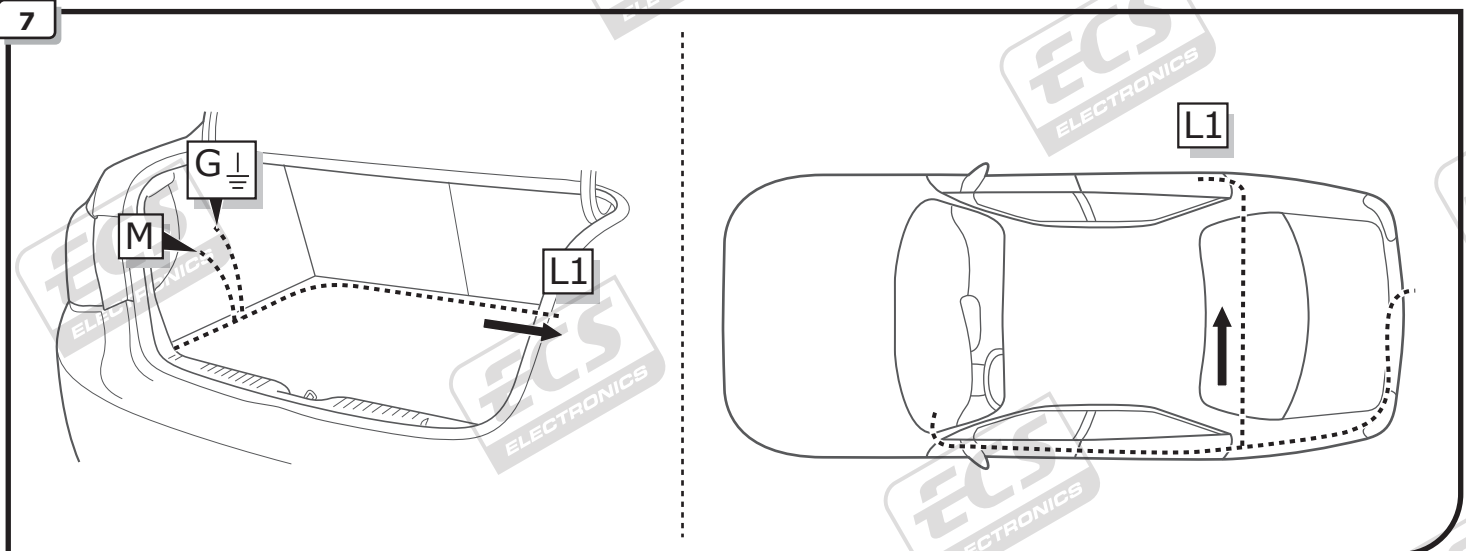
5



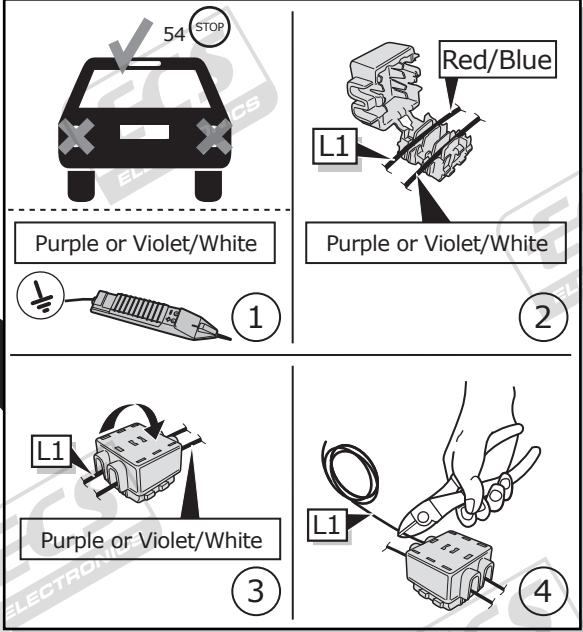
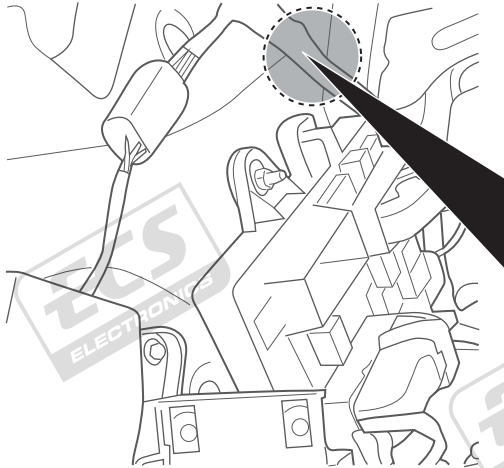
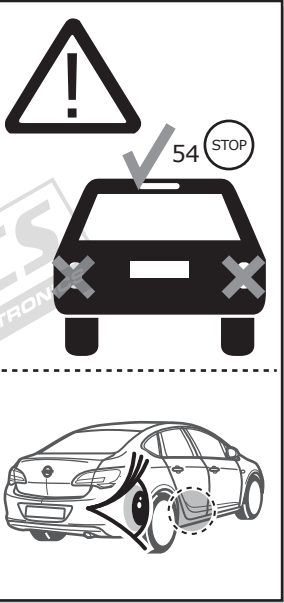
6



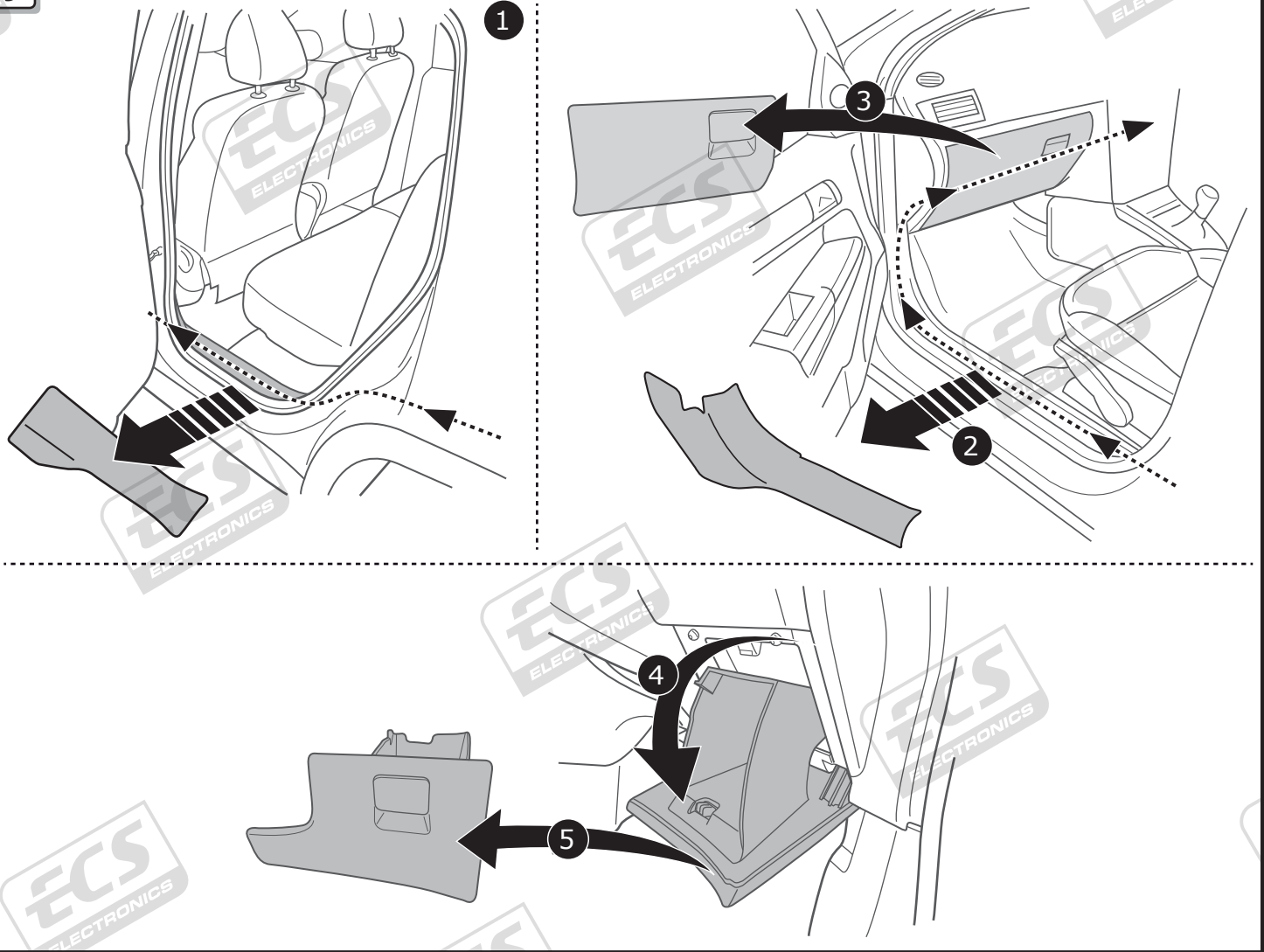
7



8



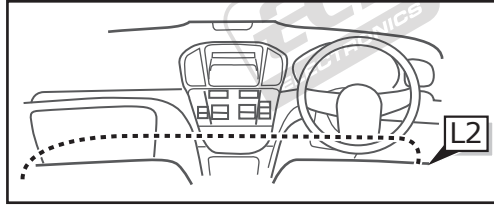
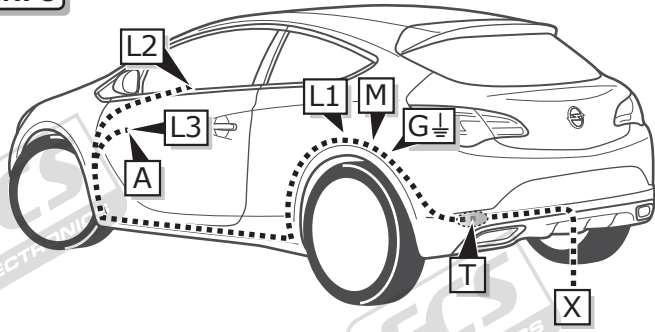
9



10



INFO

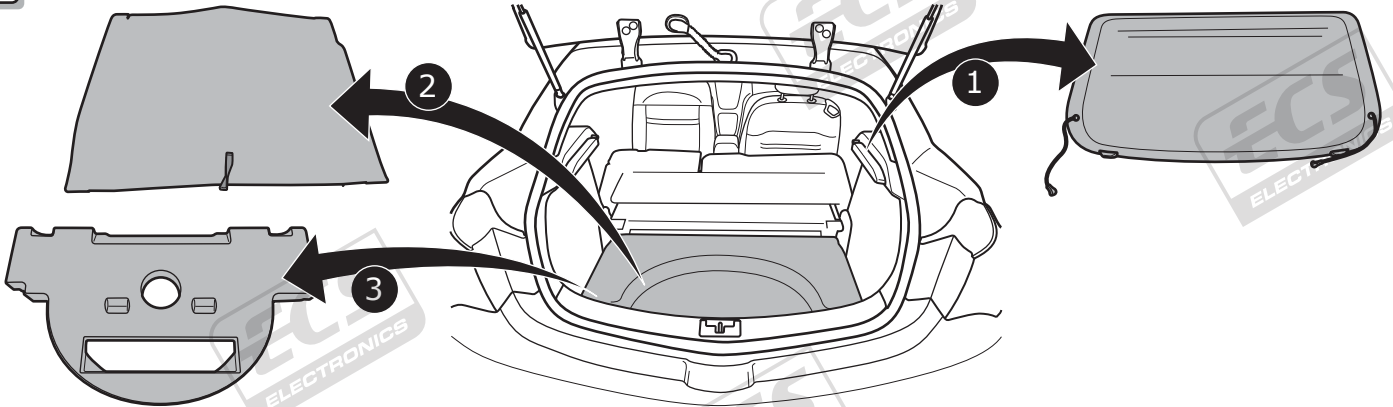


Astra GTC

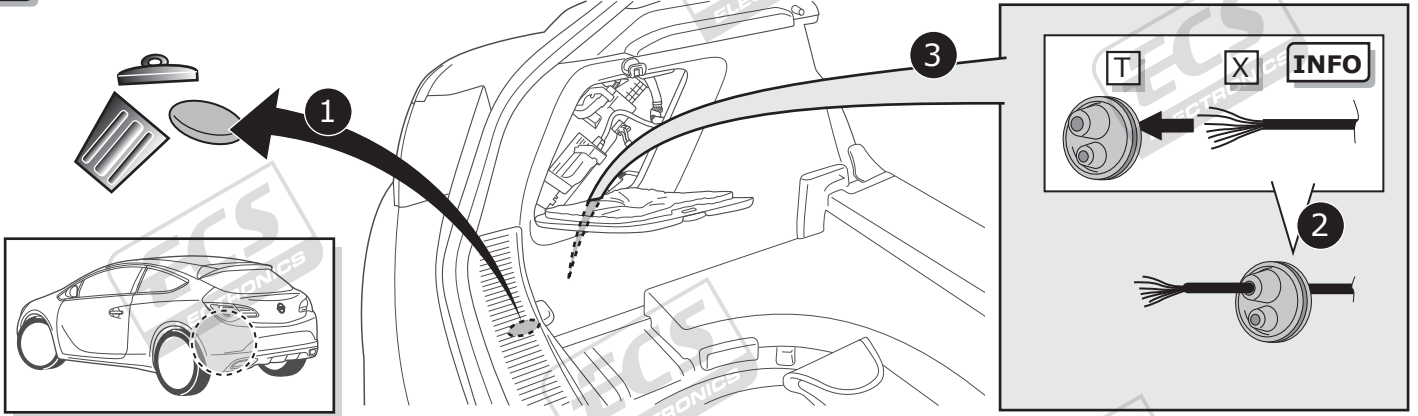
Pag. 16

-
Pag. 17

1



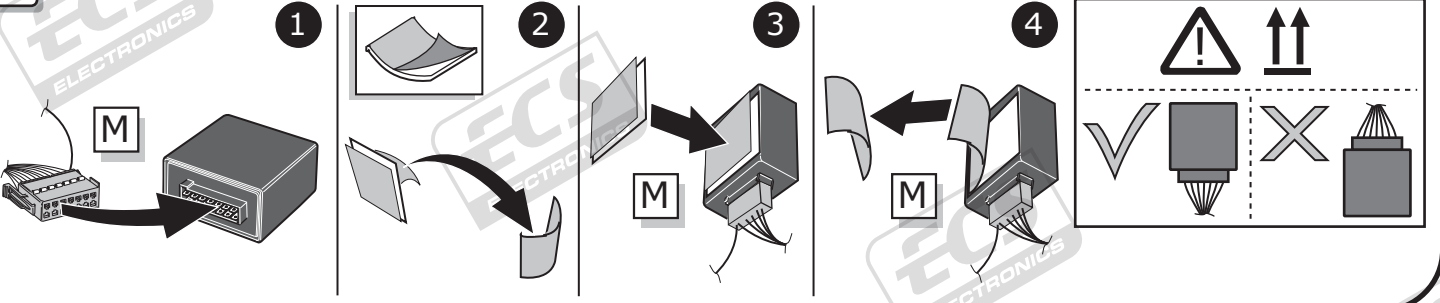
2

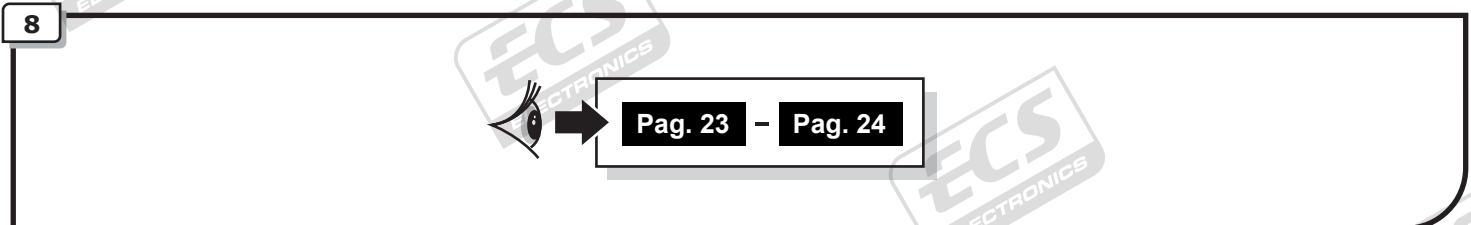
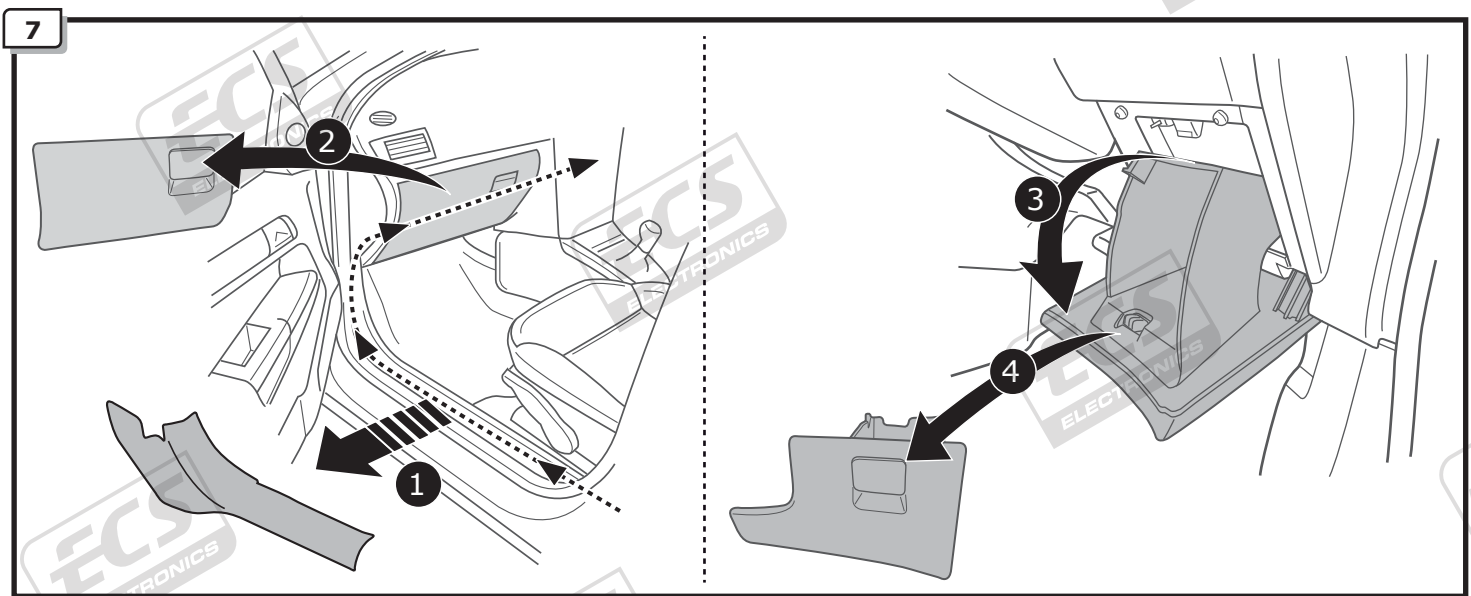
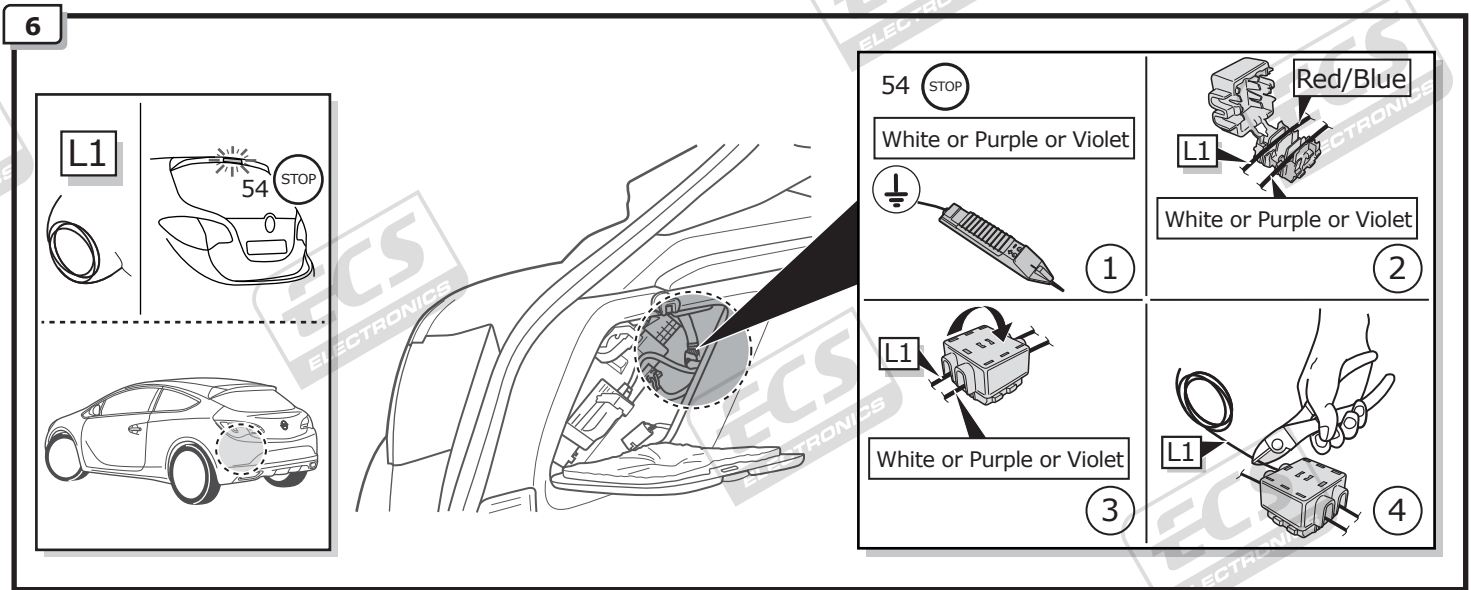
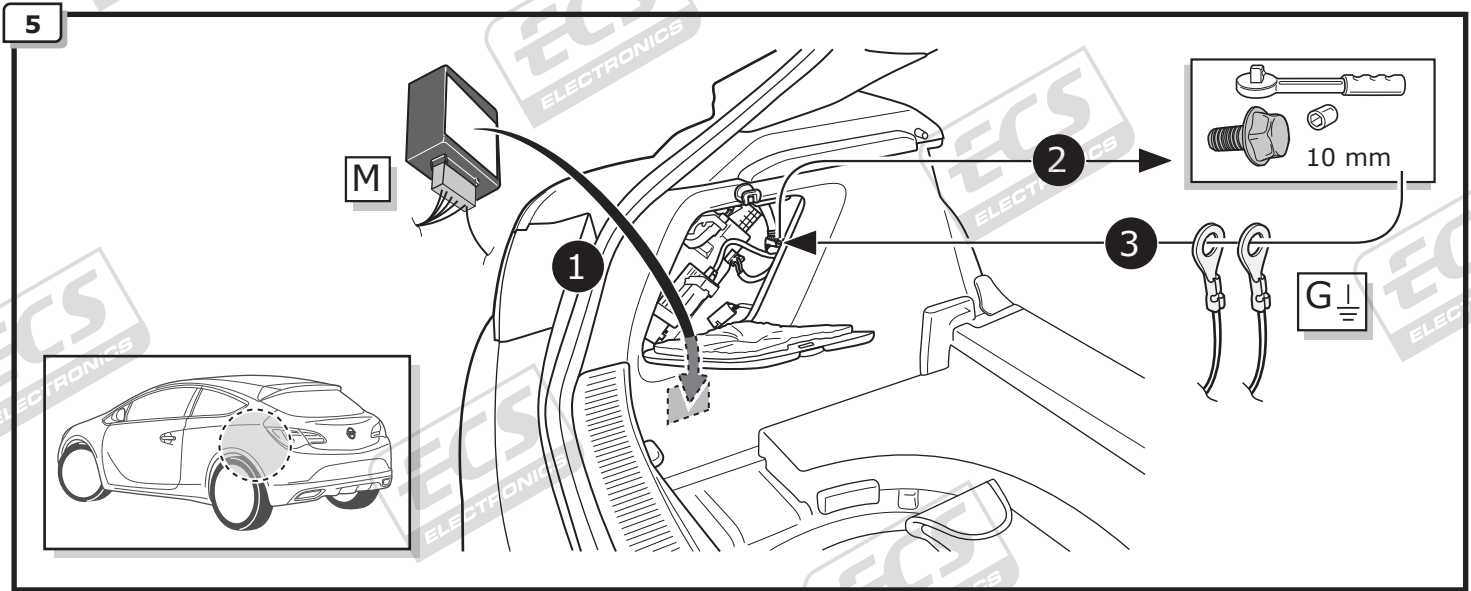


3



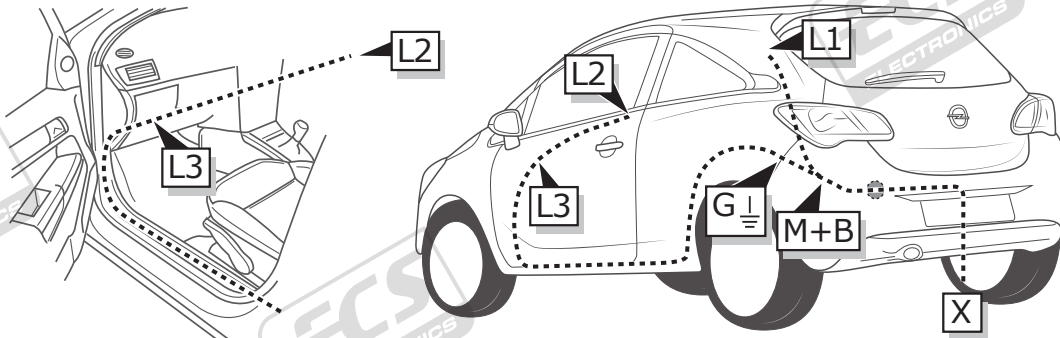
4





Corsa E

INFO

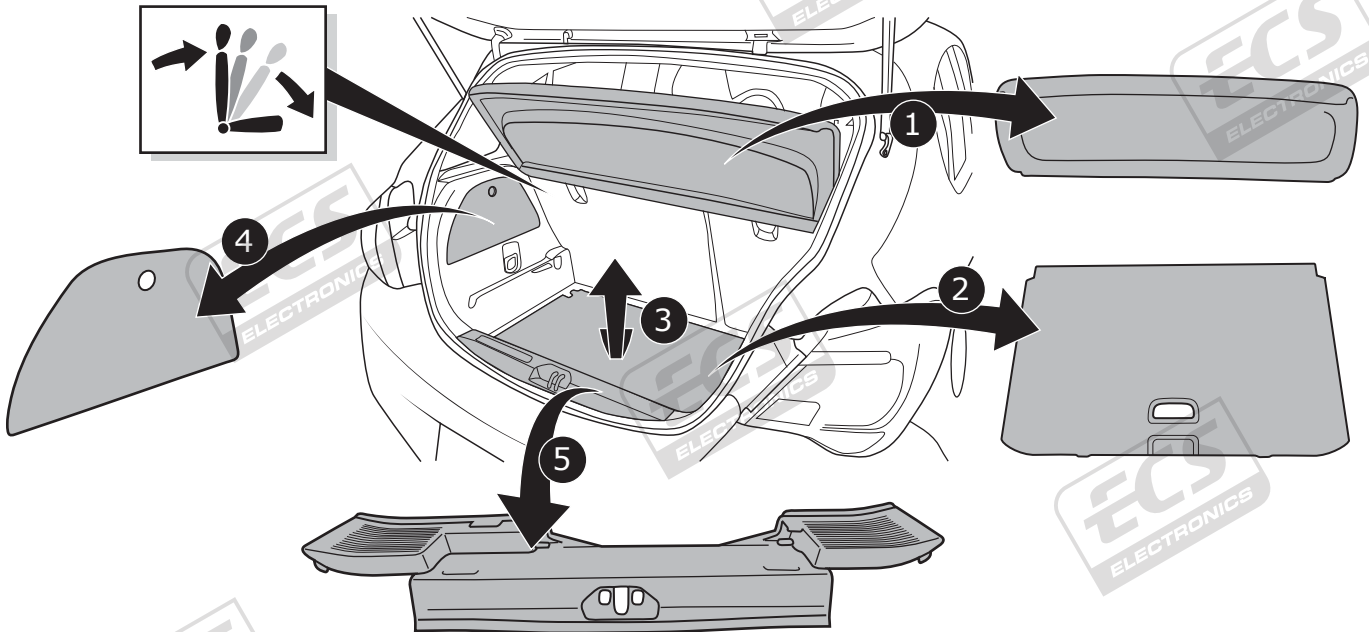


Corsa E

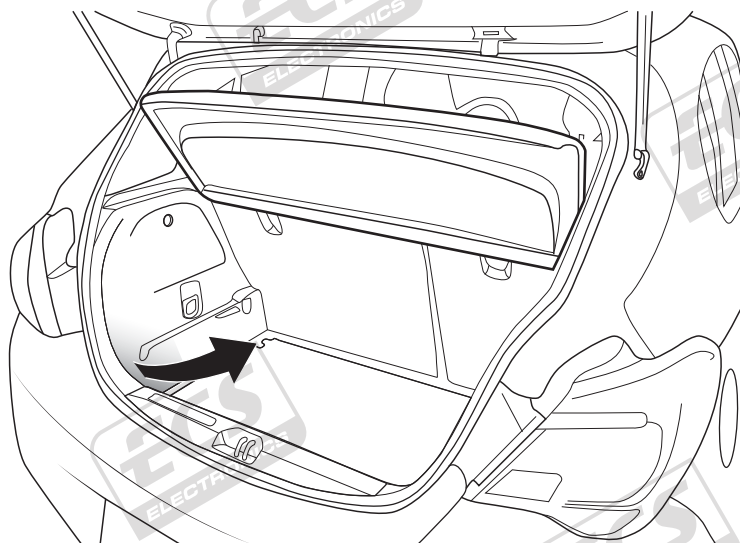
Pag. 18

-
Pag. 22

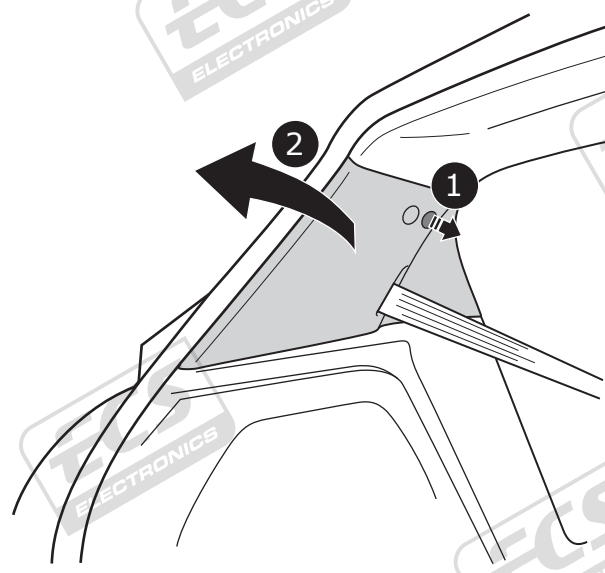
1



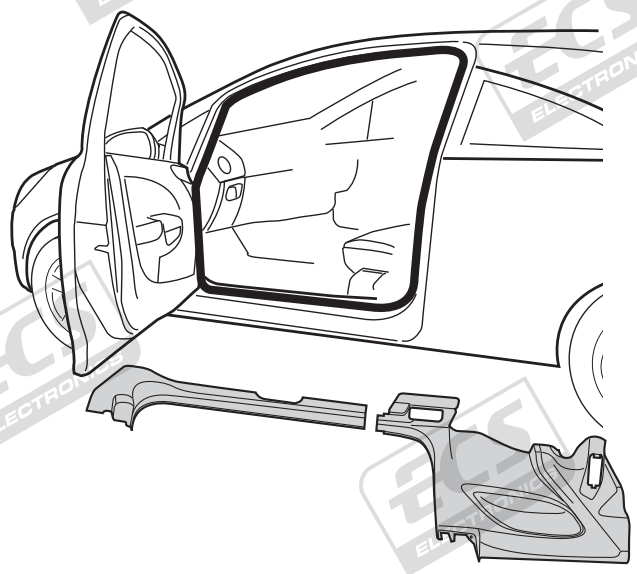
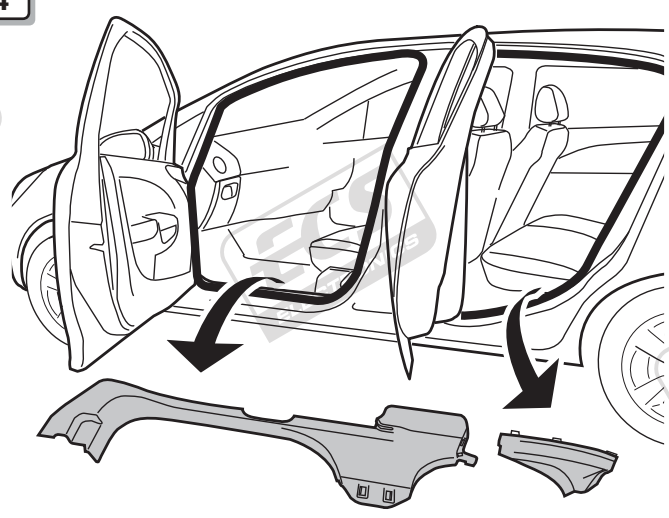
2



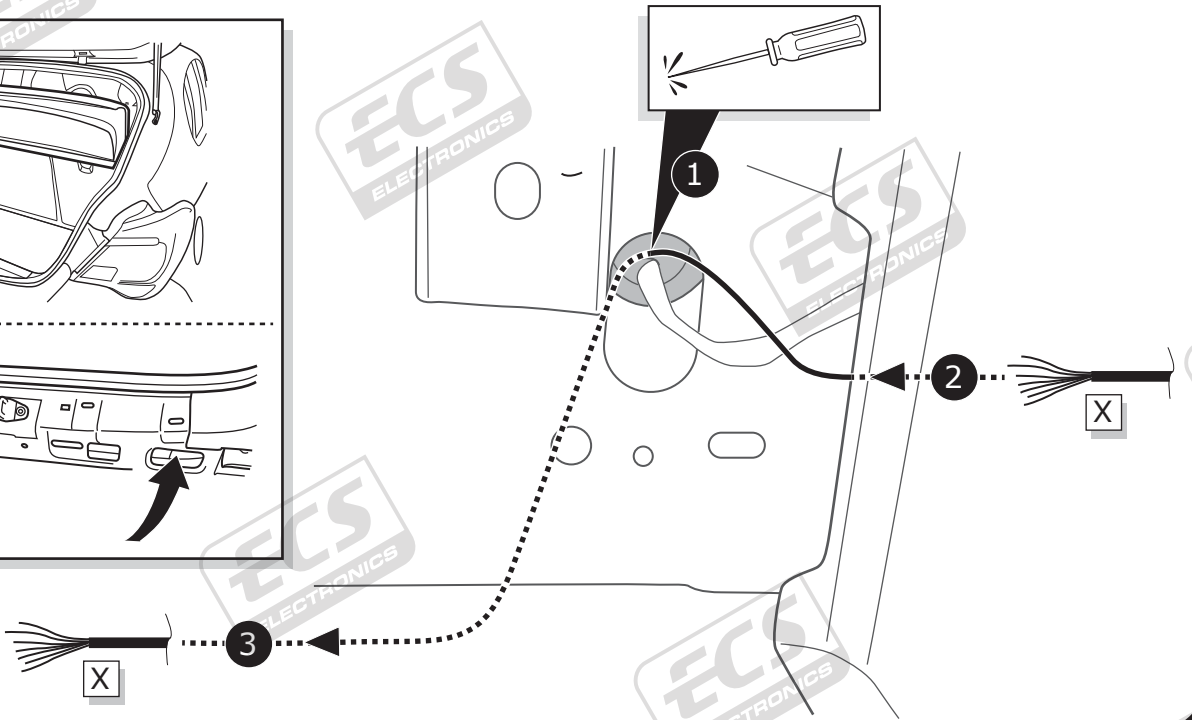
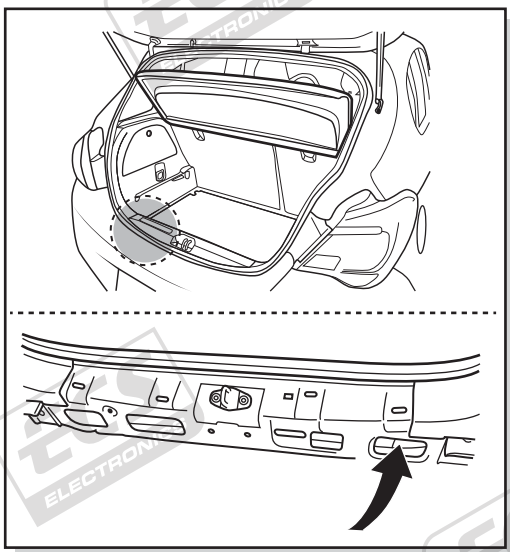
3



4



5



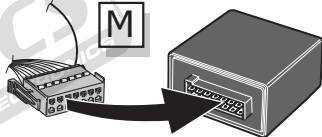
6



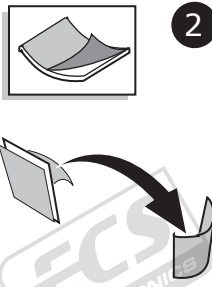
Pag. 26

7

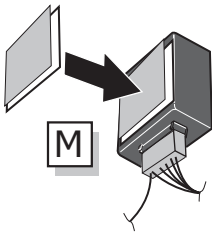
1



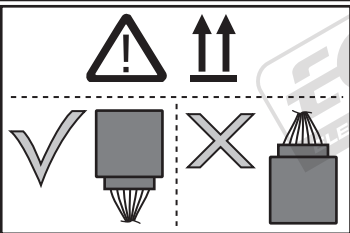
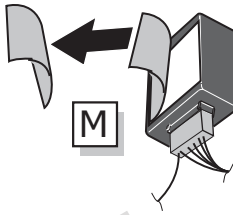
2



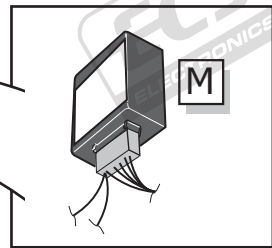
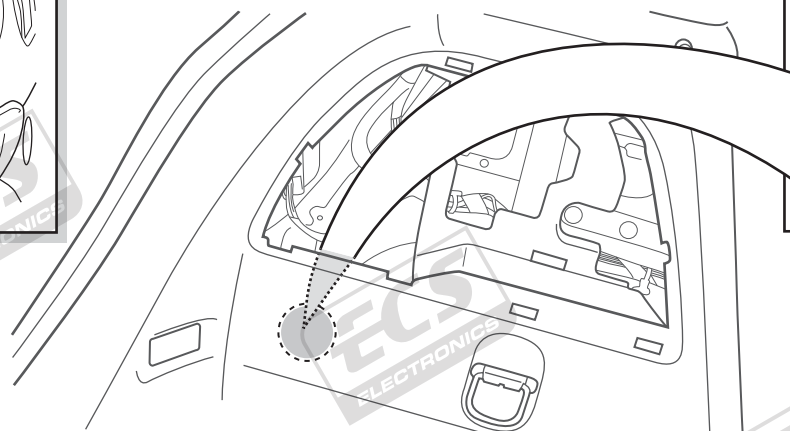
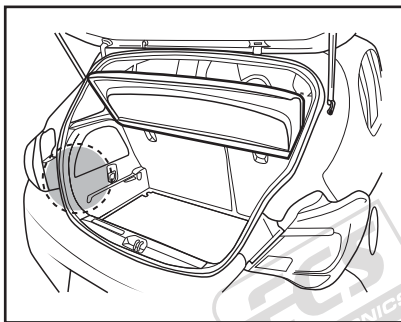
3



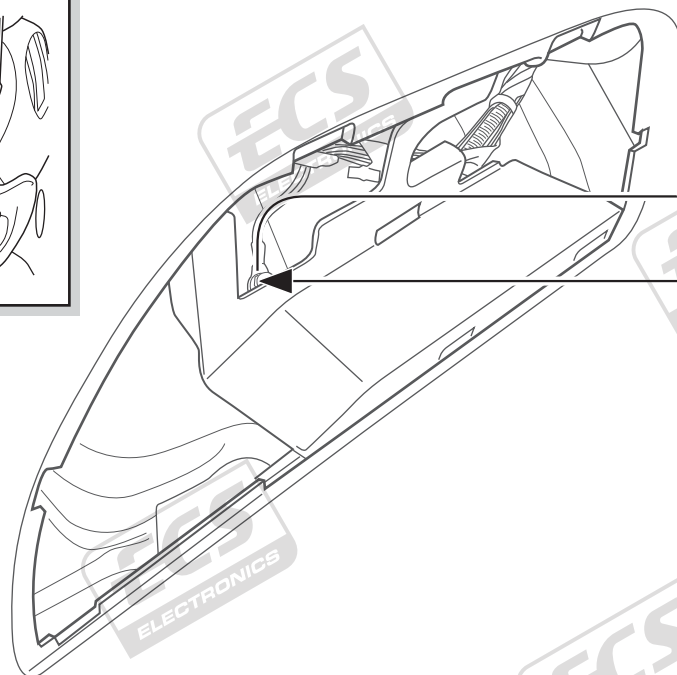
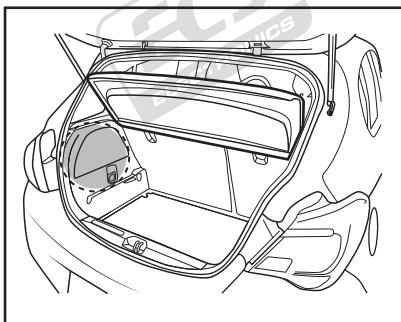
4



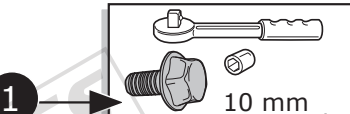
8



9

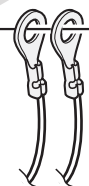


1



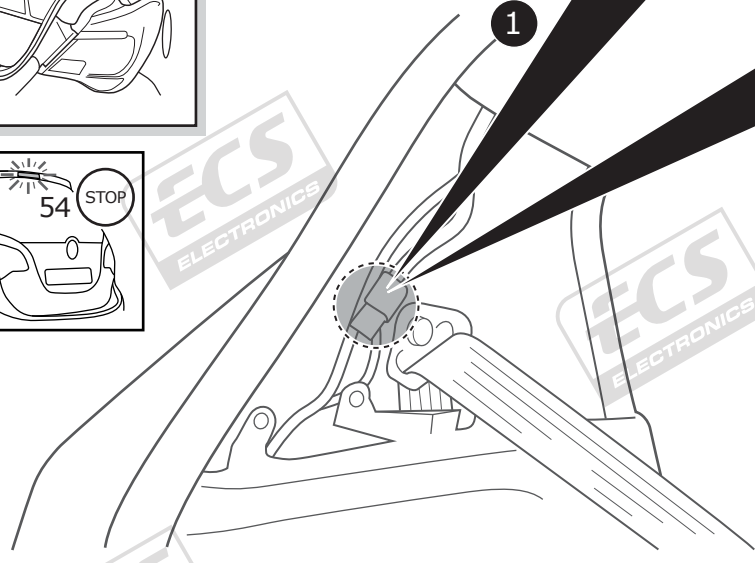
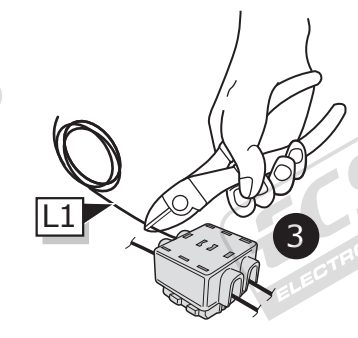
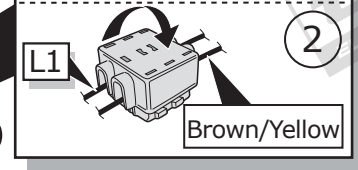
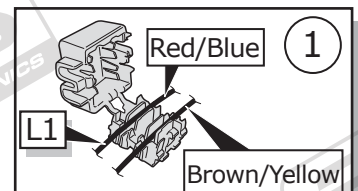
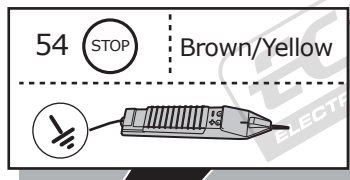
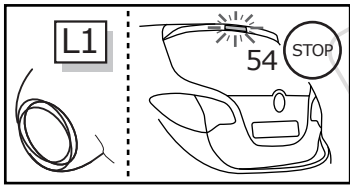
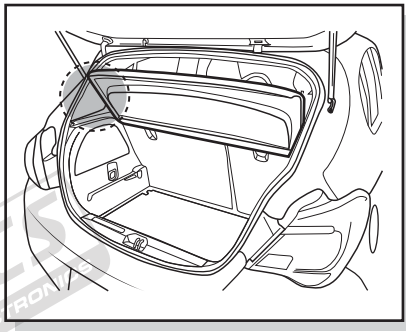
10 mm

2

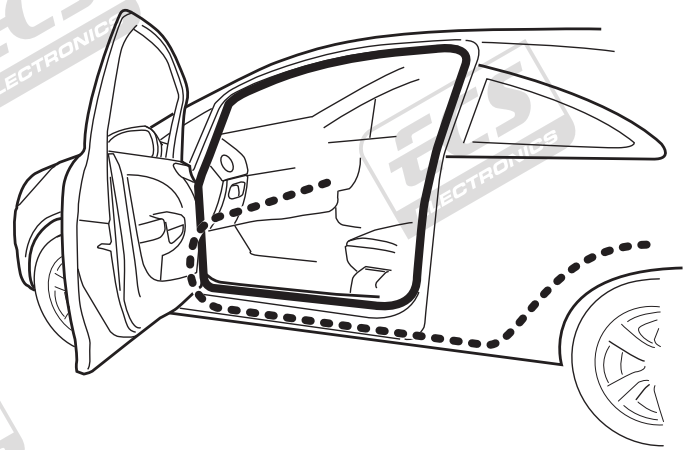
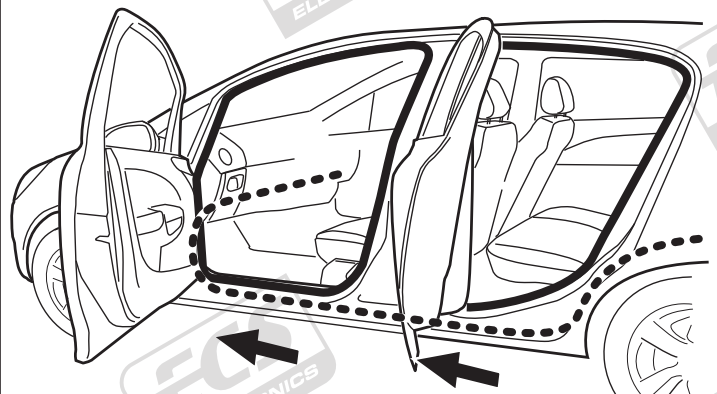


G

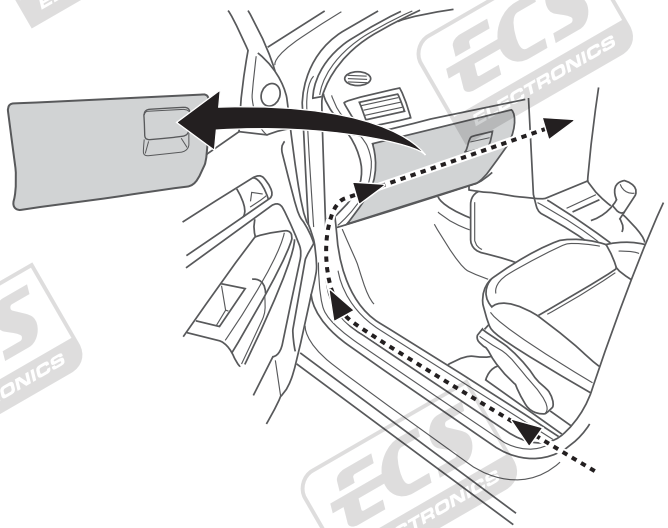
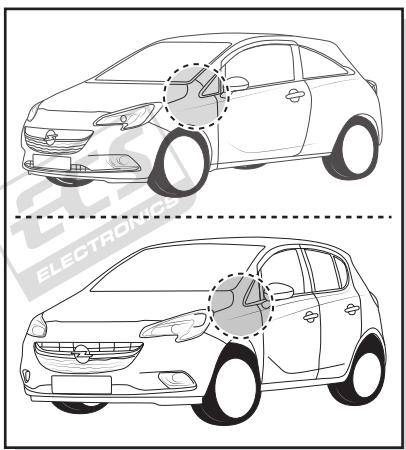
10



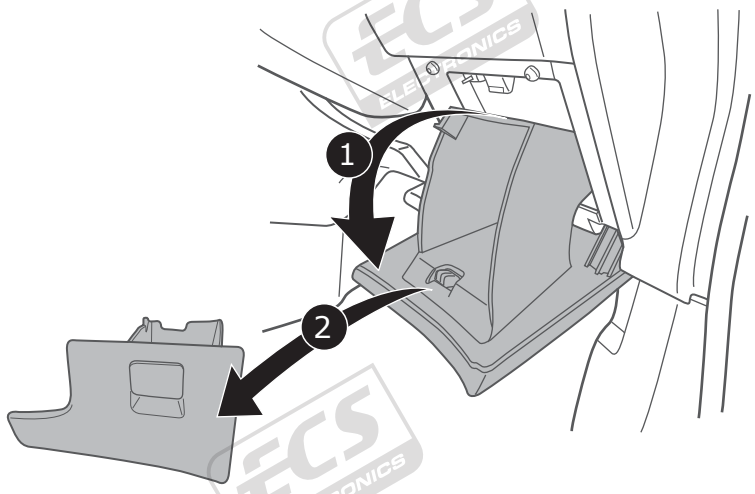
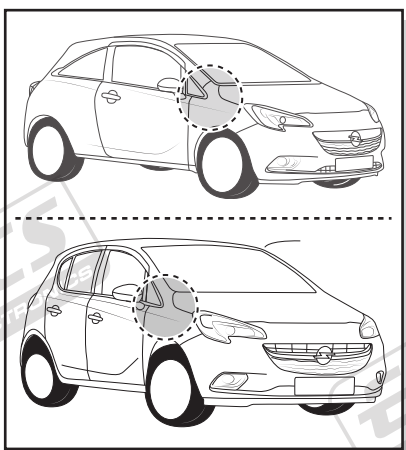
11



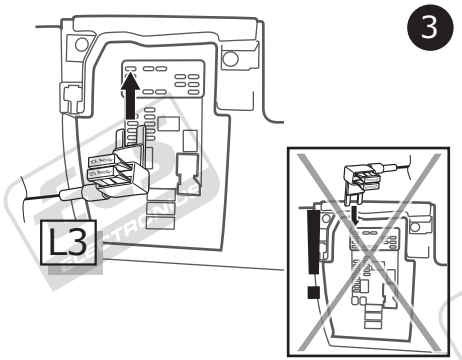
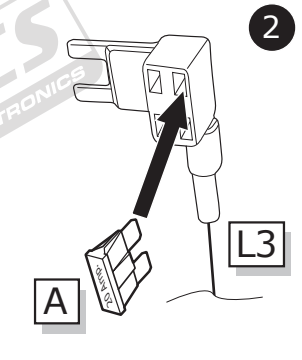
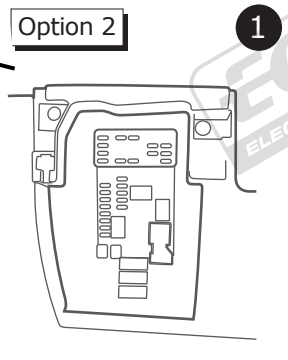
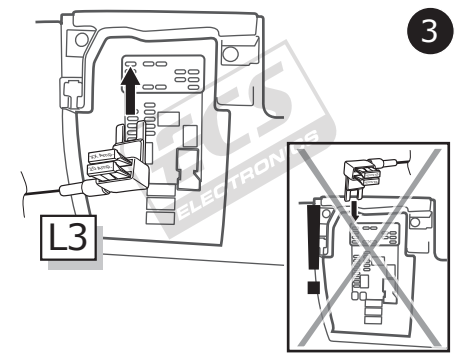
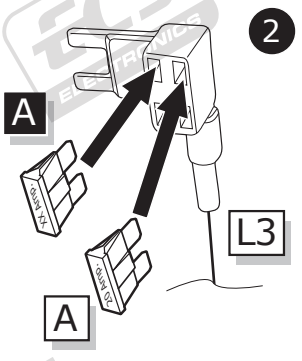
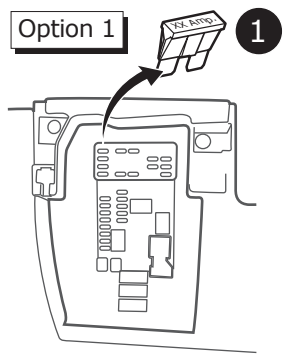
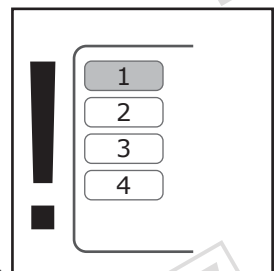
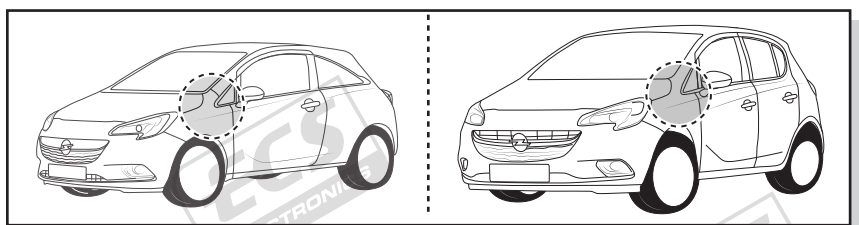
12



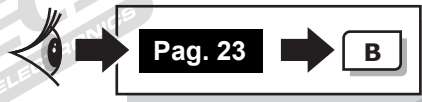
13

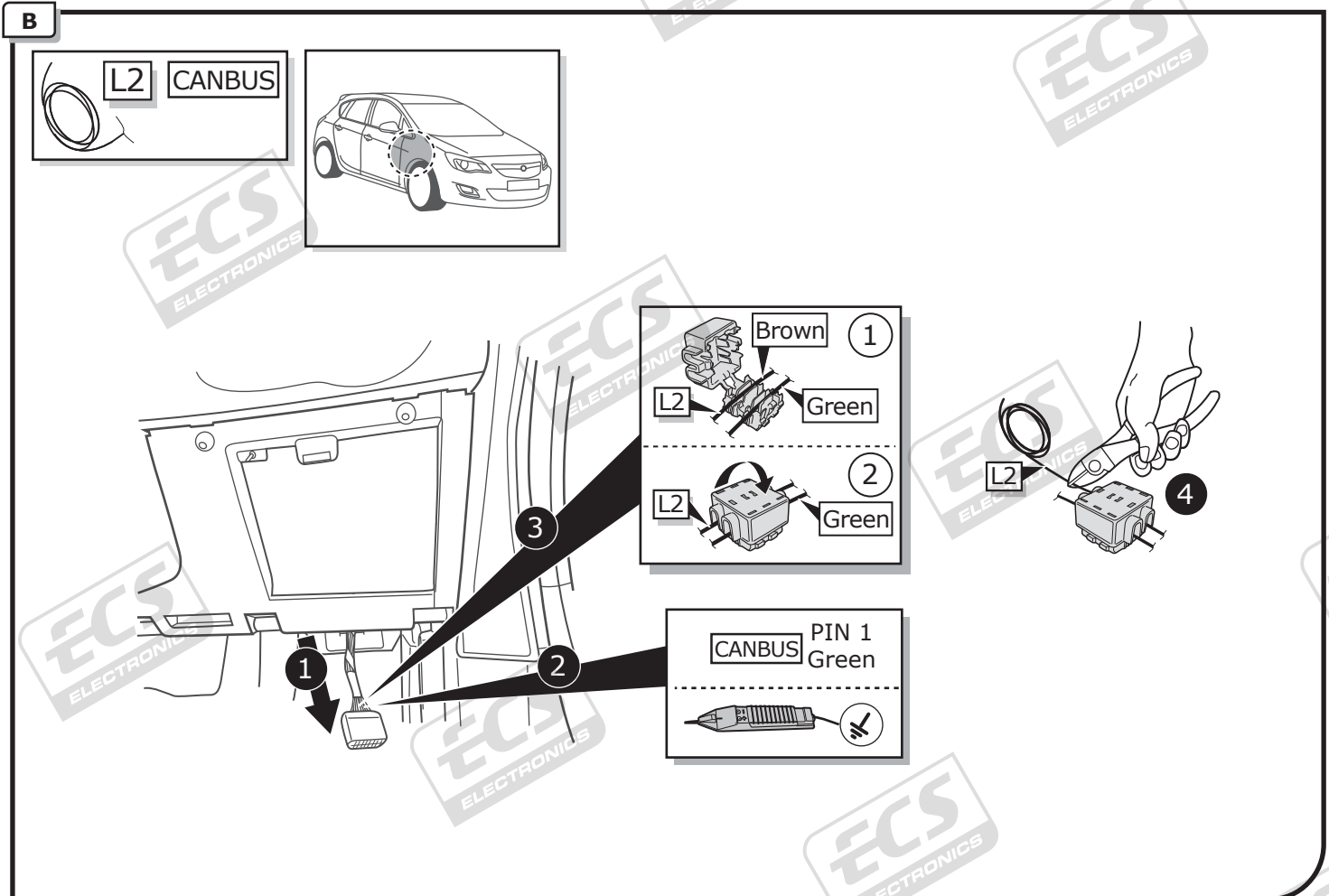
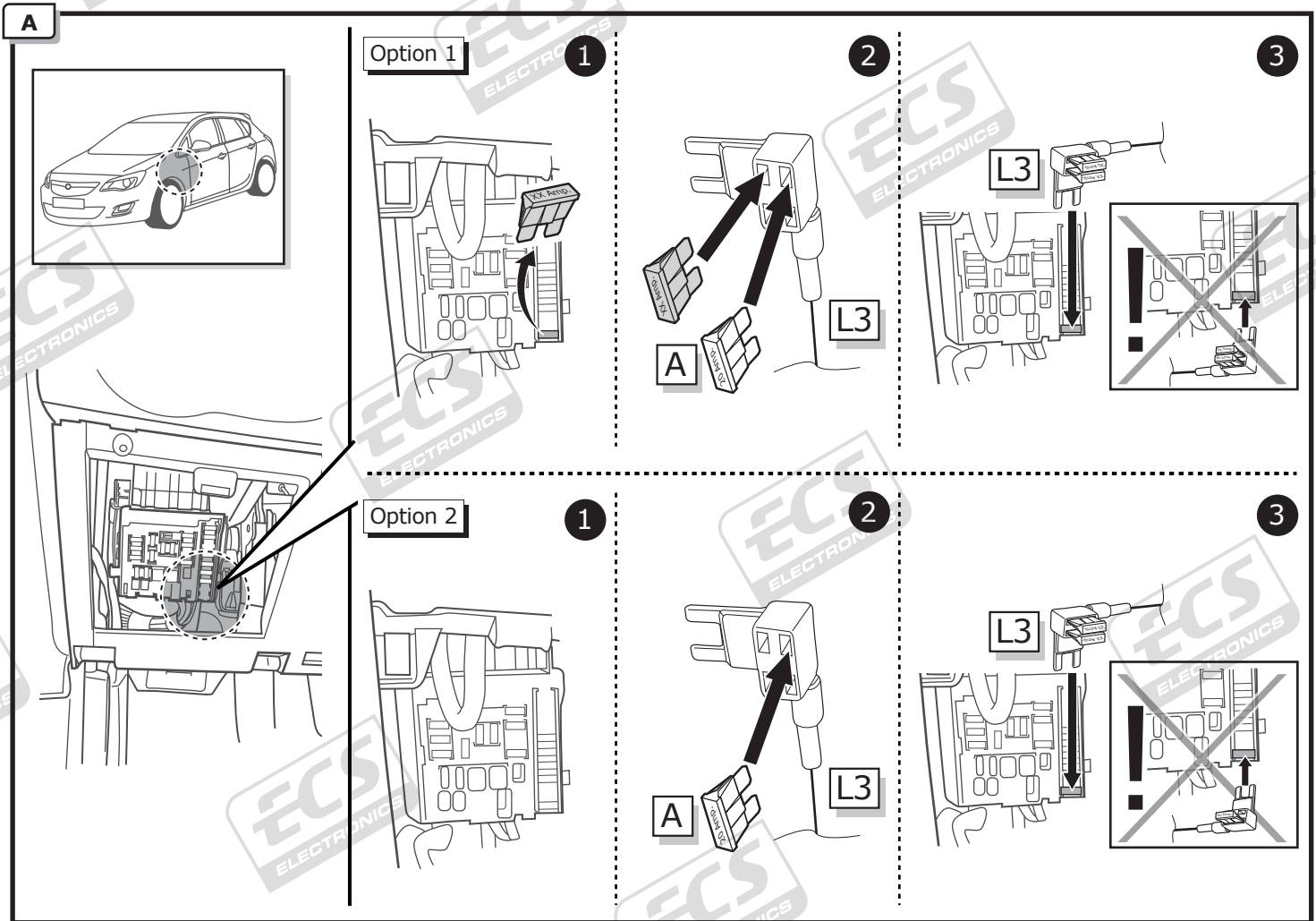


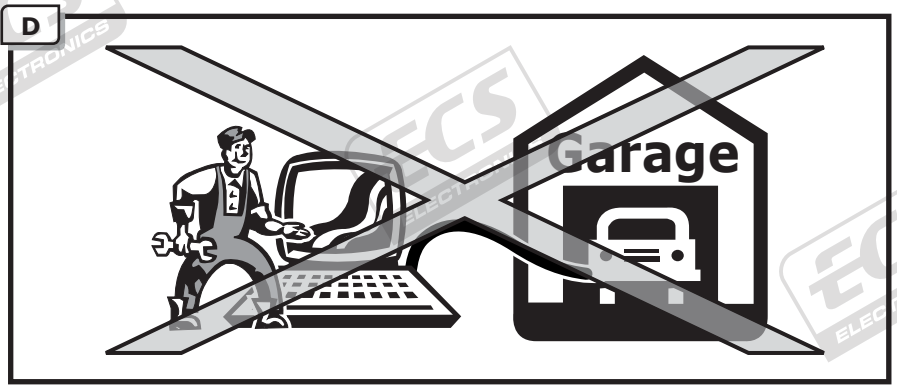
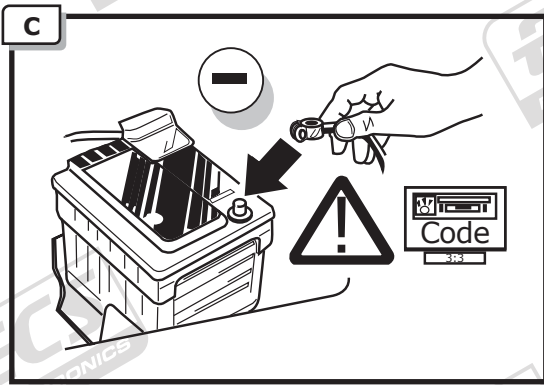
14



15





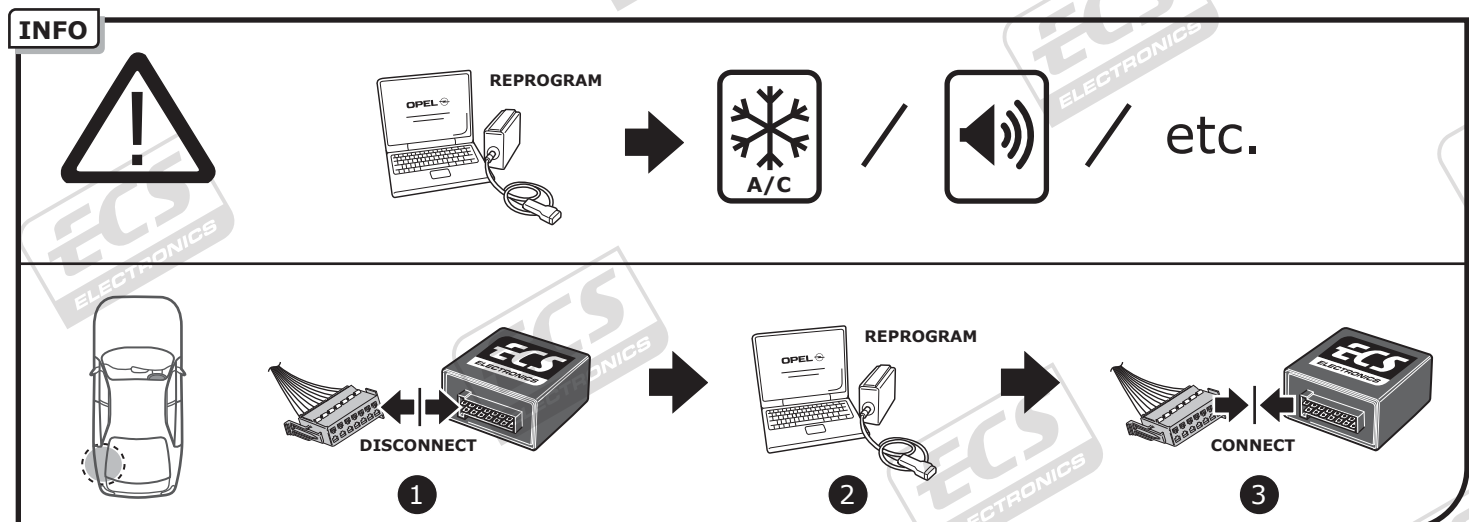
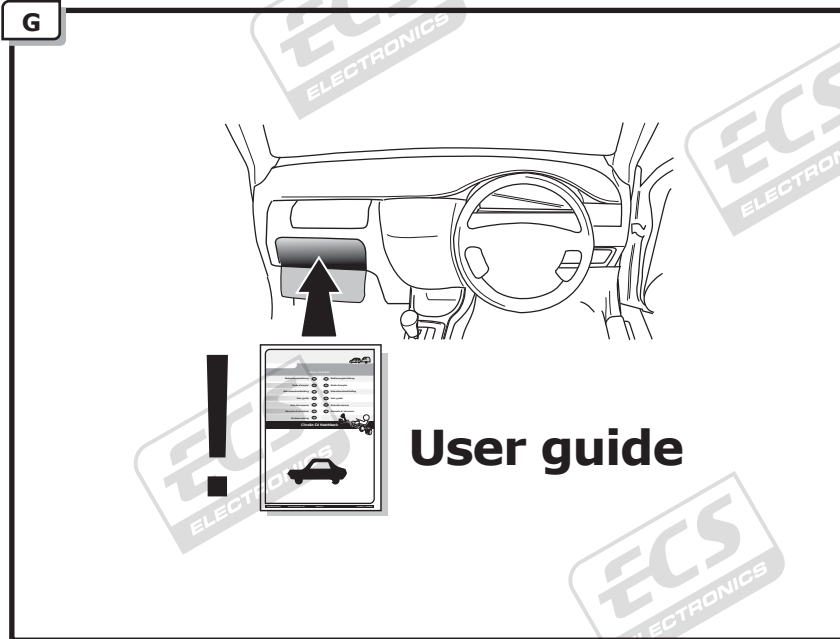


E



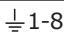







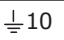
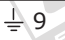
! TEST ALL THE CIRCUITS WITH A TEST DEVICE WITH THE CORRECT POWER LOAD FOR EACH FUNCTION. A TEST DEVICE WITH LED'S CANNOT BE USED FOR THIS PURPOSE.

F

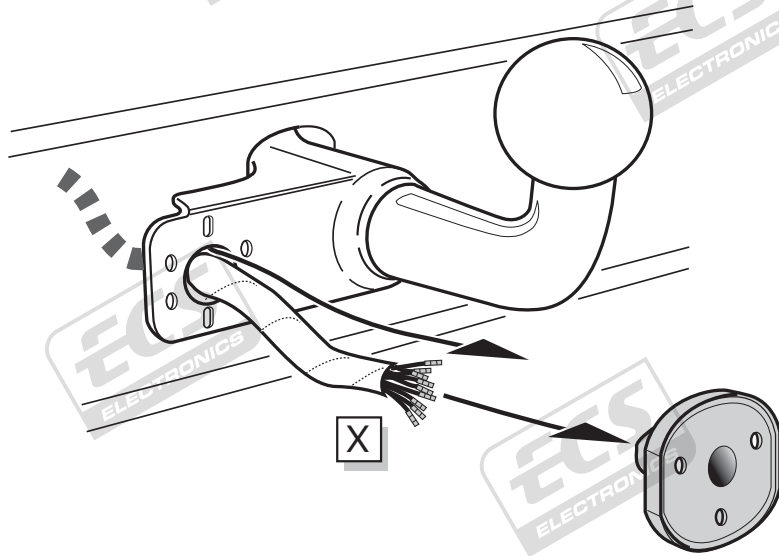
REINSTALL TRIM.



SOCKET CONNECTION

DIN/ISO 11446													
	1/L	2	3/31	4/R	5/58-R	6/54	7/58-L	8	9	10	11	12	13
Pmax	21W	21W		21W	42W	3x21W	42W	21W	180W/15Amp	180W/15Amp			
Colour	Yellow	Blue	White	Green	Brown	Red 1,00 mm ²	Black	Black/ Red	Brown/ White	Red 2,50 mm ²	White	-	White

A



INFO

SOCKET CONNECTION



Pag. 25

B

