



OPEL

Meriva B 04/2010-
Zafira Tourer 2011-
Mokka 2013-
Mokka X 09/2016-
Cascada 2013-

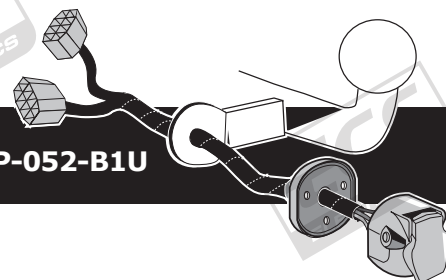
SAAB

9-5 06/2010-

CHEVROLET

Orlando J309 02/2011-
Trax 2013-

Partnr.: OP-052-B1U



- Fitting instructions electric wiring kit tow bar with 12-N socket up to DIN/ISO Norm 1724.
- We would expressly point out that assembly not carried out properly by a competent installer will result in cancellation of any right to damage compensation, in particular those arising by virtue of the product liability act.
- Contents of these kits and their fitting manuals are subject to alteration without notice, please ensure that these instructions are read and fully understood before commencing installation.
- Do not overload circuits; the maximum loads per connection are detailed in this manual.
- Attention! Before Installation, please read this manual carefully and inform your customer to consult the vehicle owners manual to check for any vehicle modifications required before towing.
- In the event of functional problems, troubleshooting must be limited to about 0.5 hours, contact the technical support:
t.skinner@ecs-electronics.com / 07440 202 052.

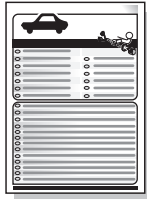
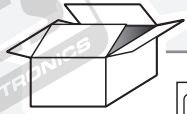
TECHNICAL SUPPORT

CALL
07440
202
052

ECS ELECTRONICS

MONDAY TO FRIDAY
08.00 - 11.00 am
12.00 - 05.00 pm
t.skinner@ecs-electronics.com
www.ecs-electronicsuk.co.uk

Part list



L1



M

L3

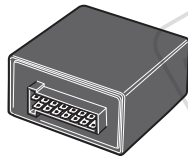
L2

GND

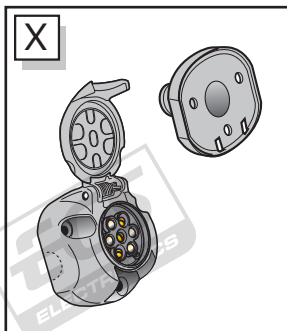
X



T



M

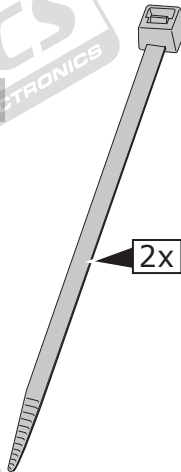


X

1x



2x

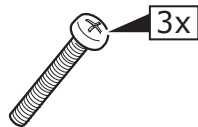


UN-243-YZ

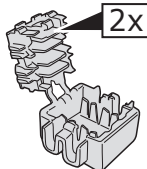
Optional reverse lamp
pre-wire extension included



Pag. 39



3x



2x



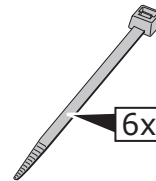
3x

A

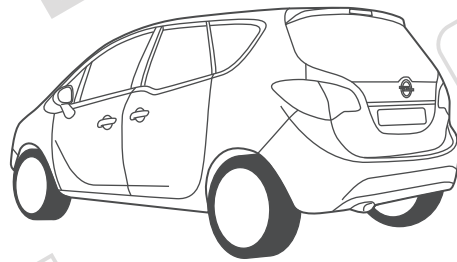


1x

20 Amp. minifuse



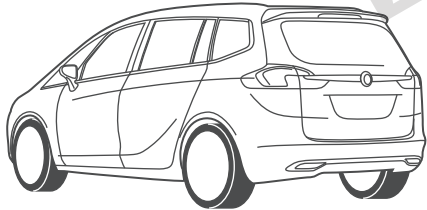
6x



Meriva B

Pag. 4

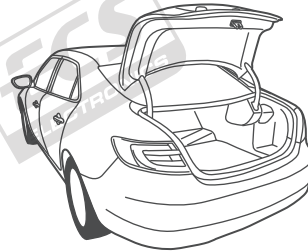
-
Pag. 7



Zafira

Pag. 8

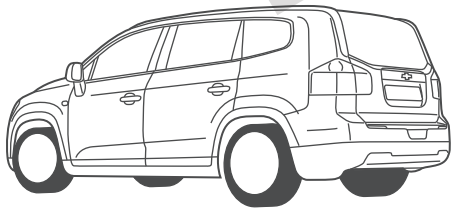
-
Pag. 11



Saab 9-5

Pag. 12

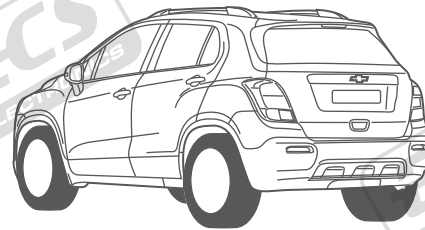
-
Pag. 15



Orlando

Pag. 16

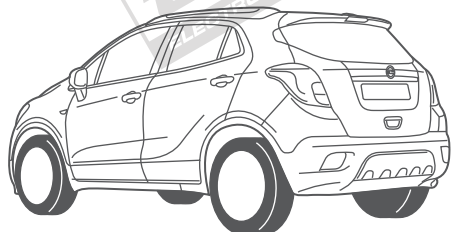
-
Pag. 19



Trax

Pag. 20

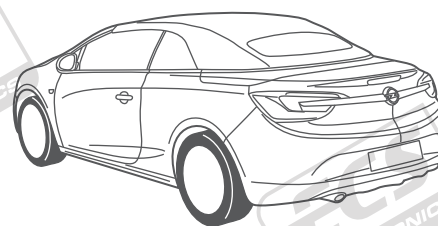
-
Pag. 23



Mokka

Pag. 24

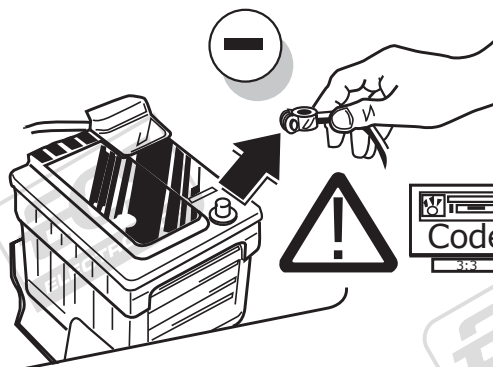
-
Pag. 30



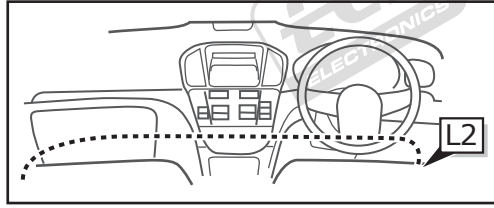
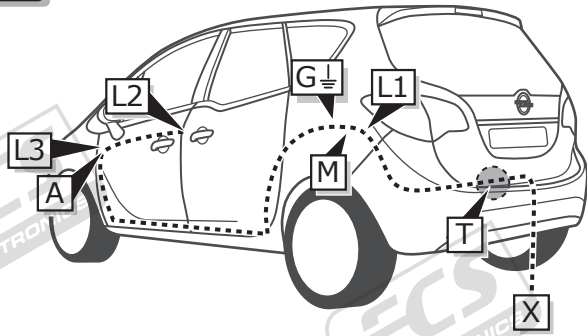
Cascada

Pag. 31

-
Pag. 34



INFO

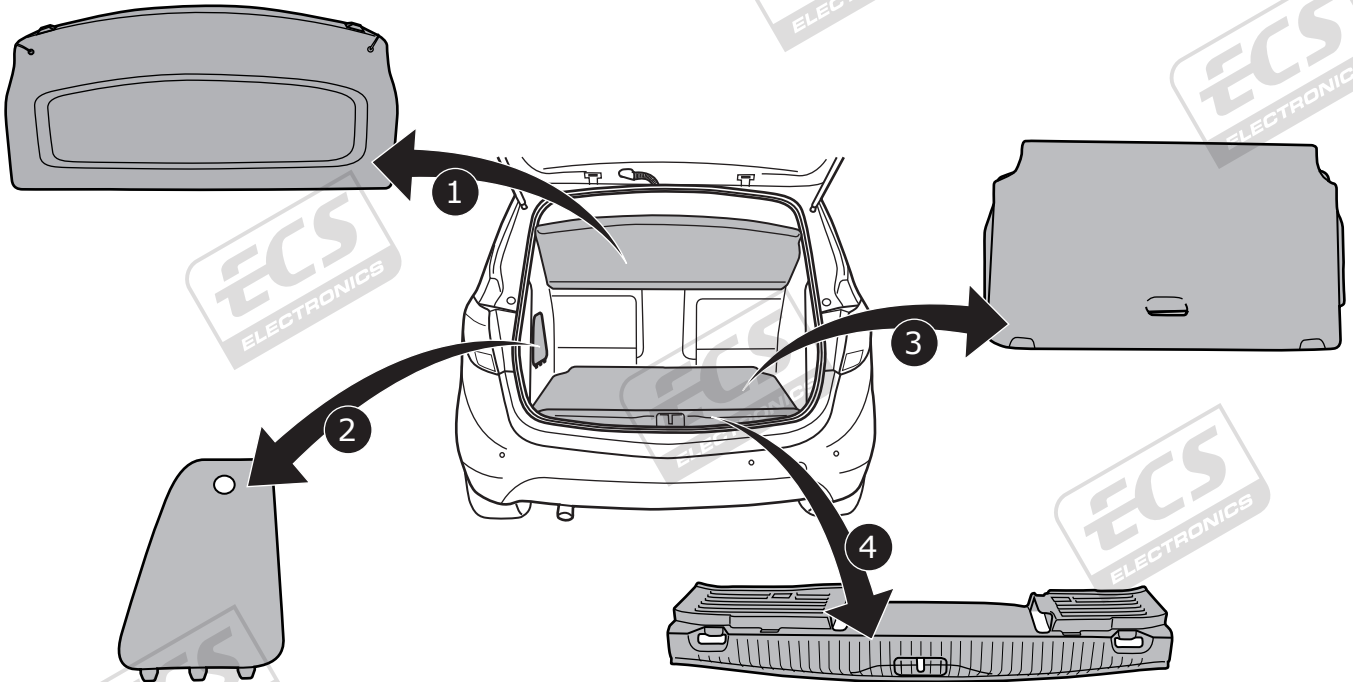


Meriva B

Pag. 4

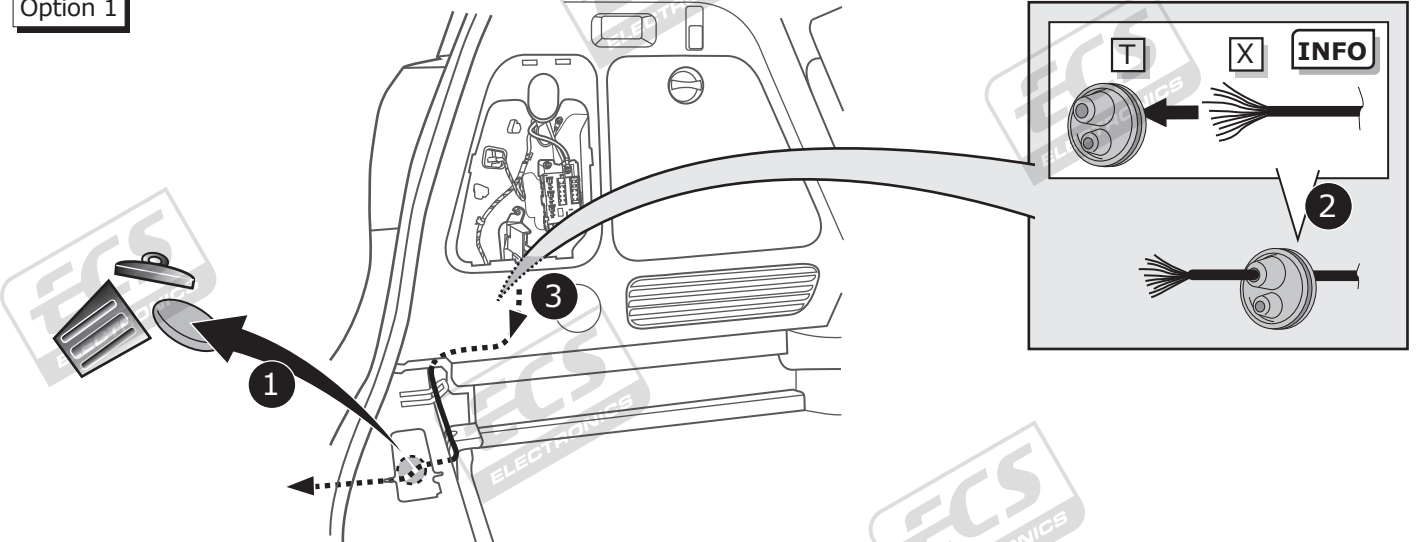
-
Pag. 7

1



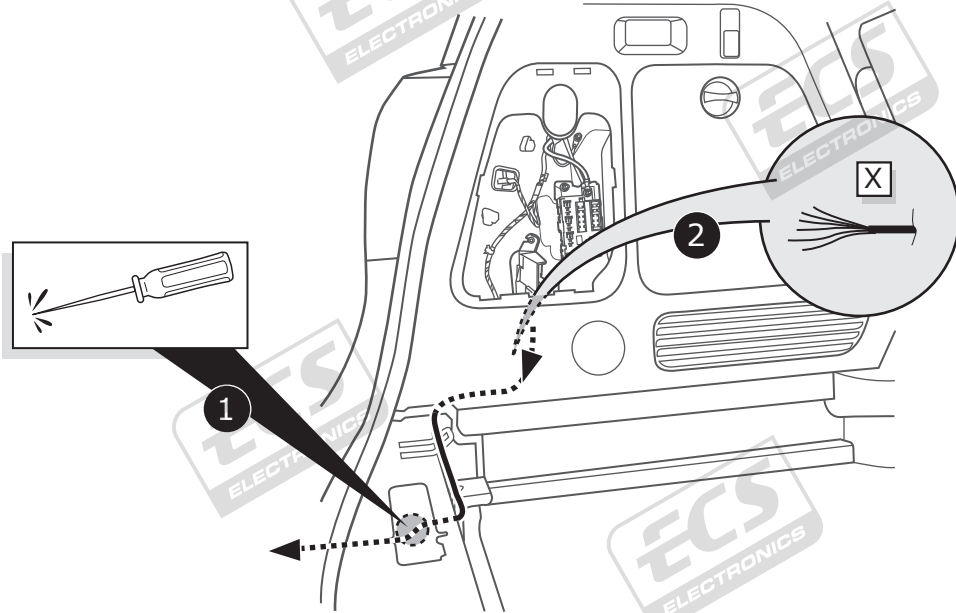
2

Option 1



3

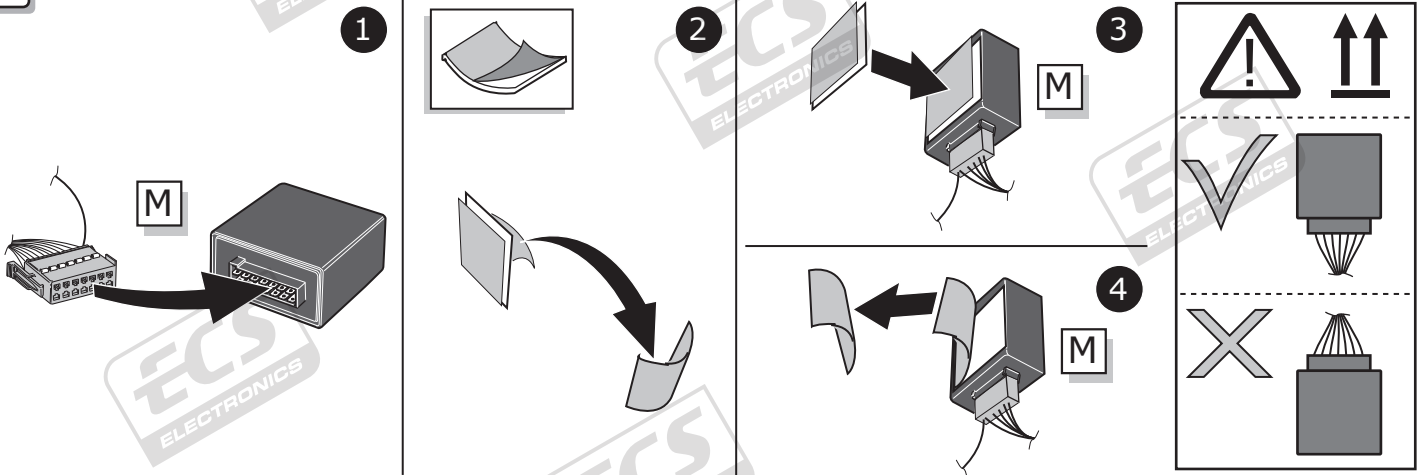
Option 2



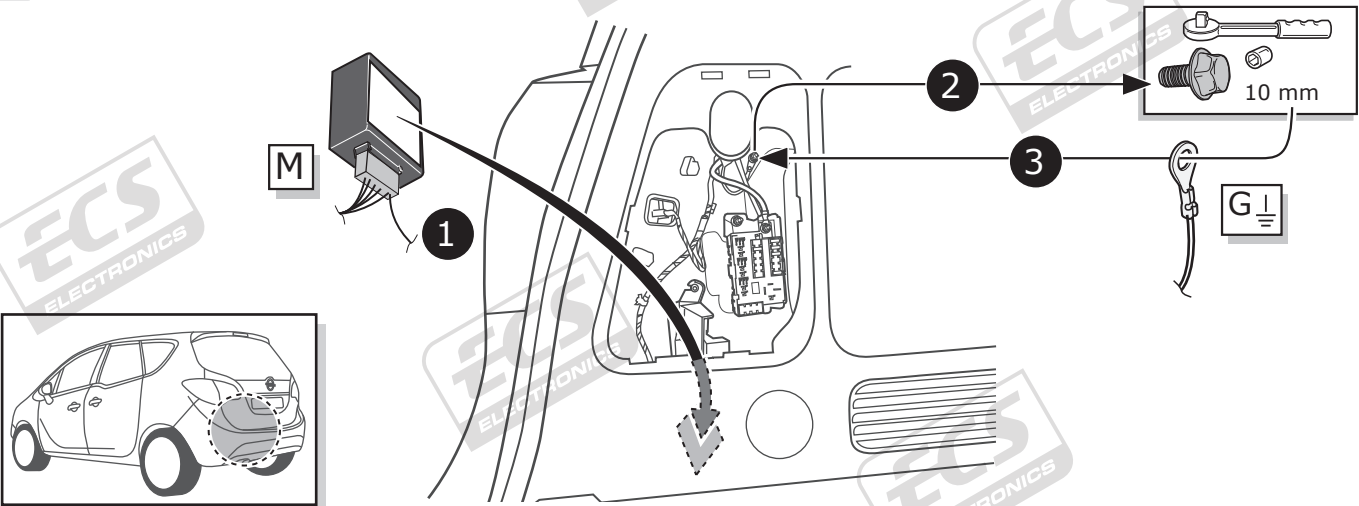
4



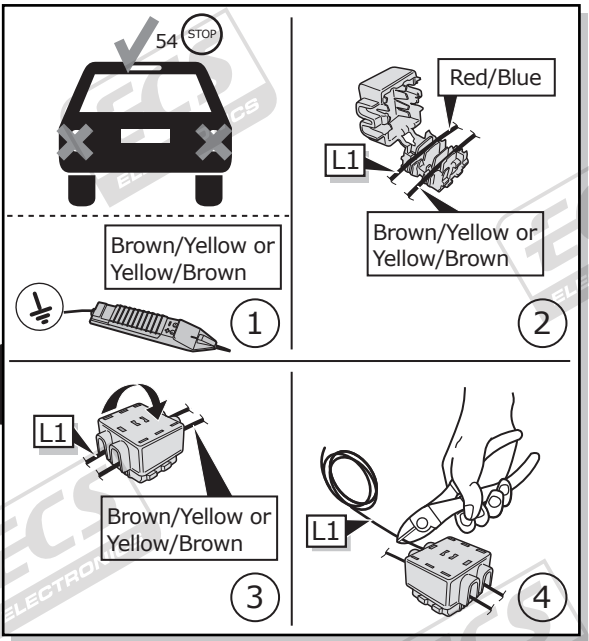
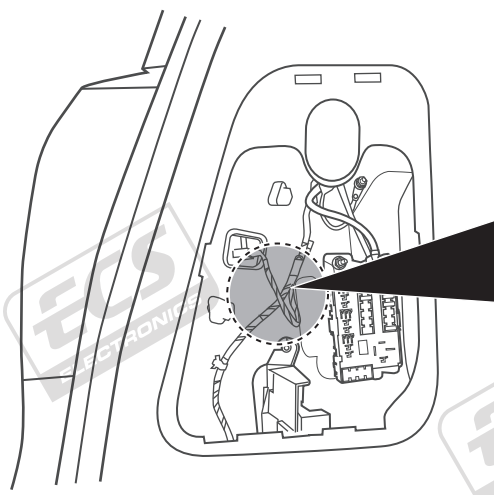
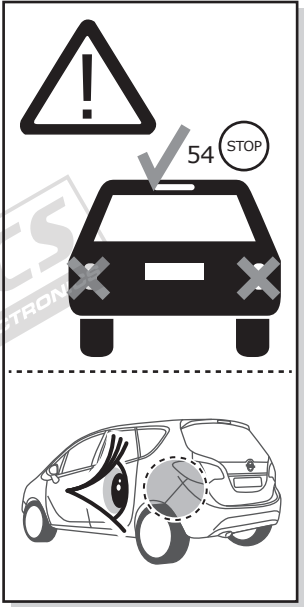
5



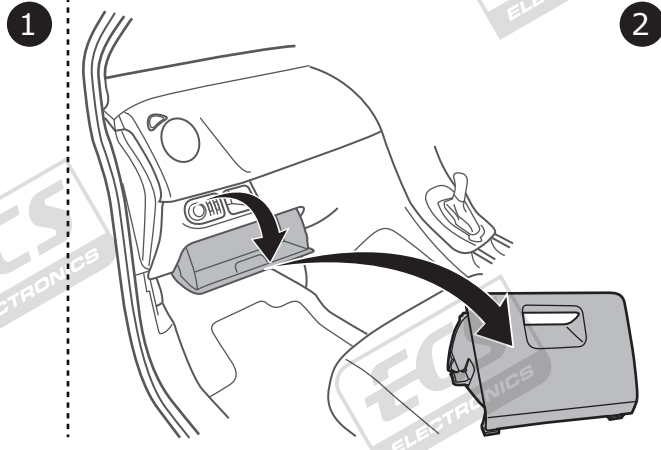
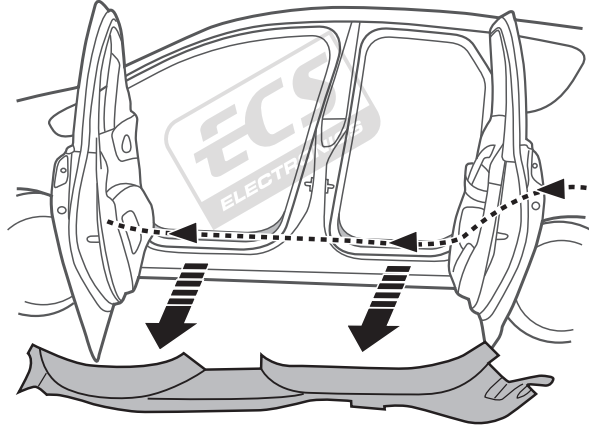
6



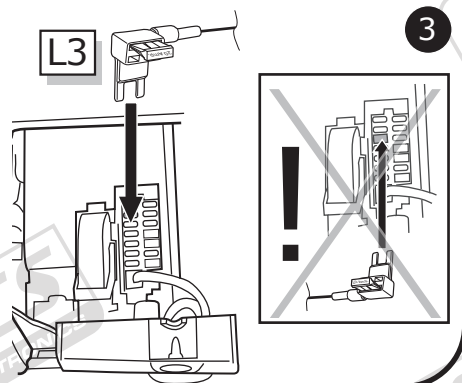
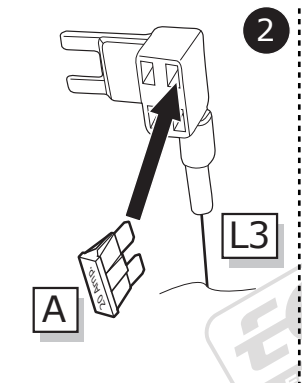
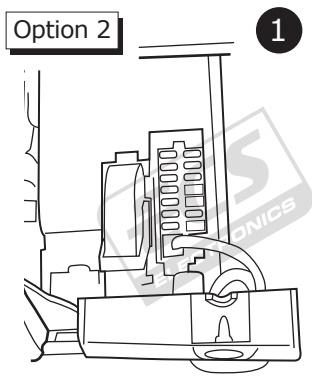
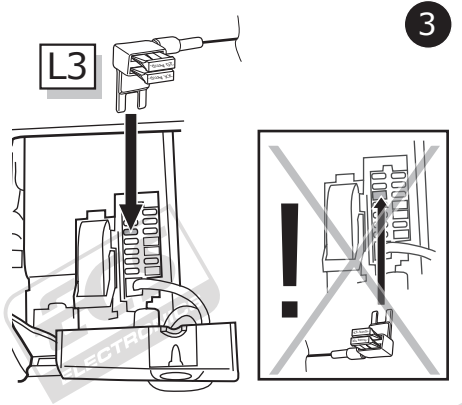
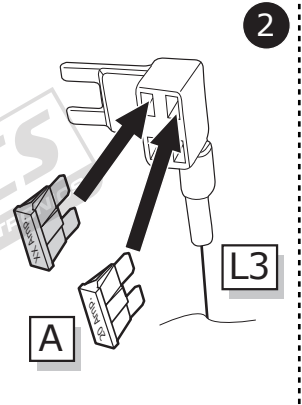
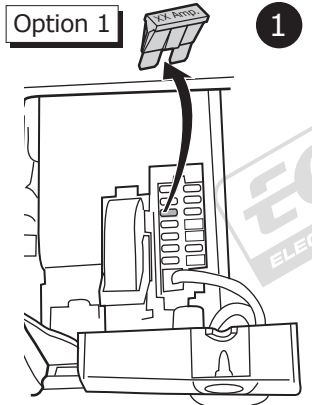
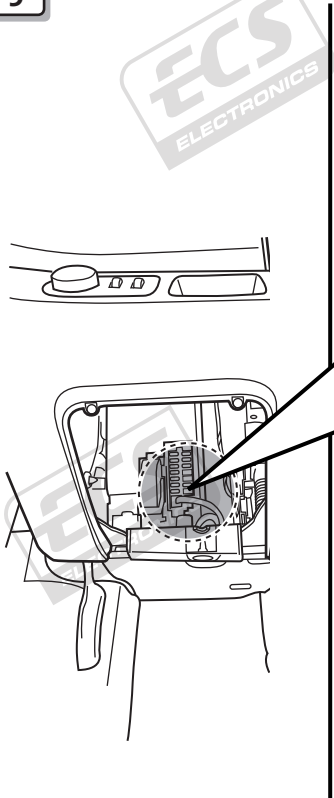
7



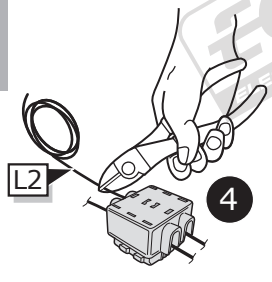
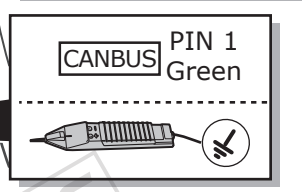
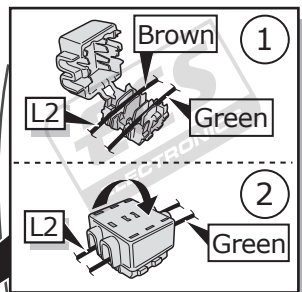
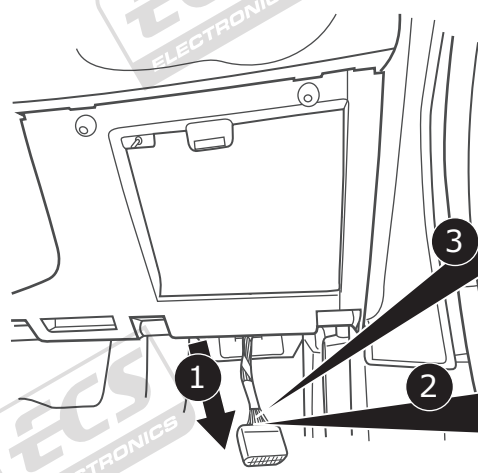
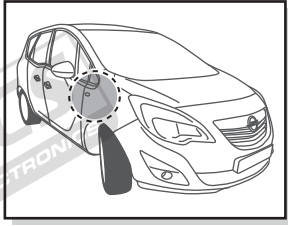
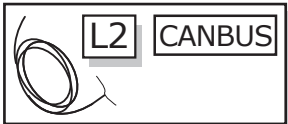
8



9



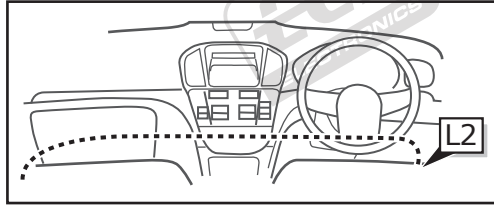
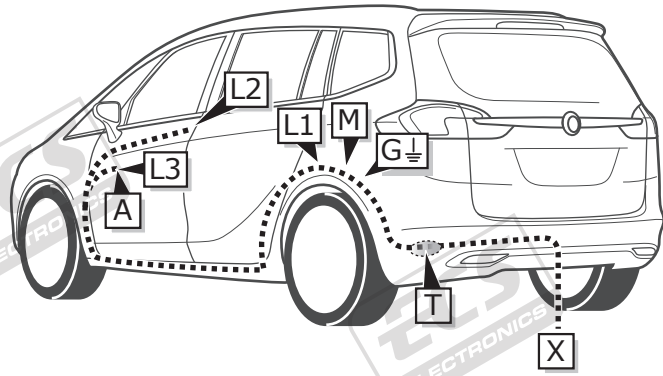
10



11



INFO

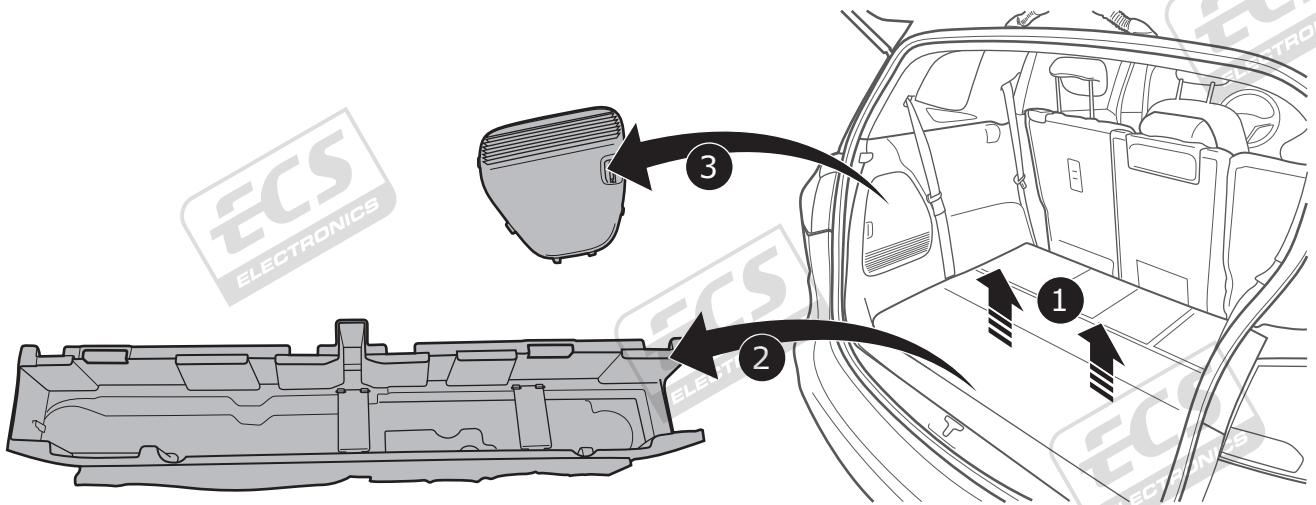


Zafira

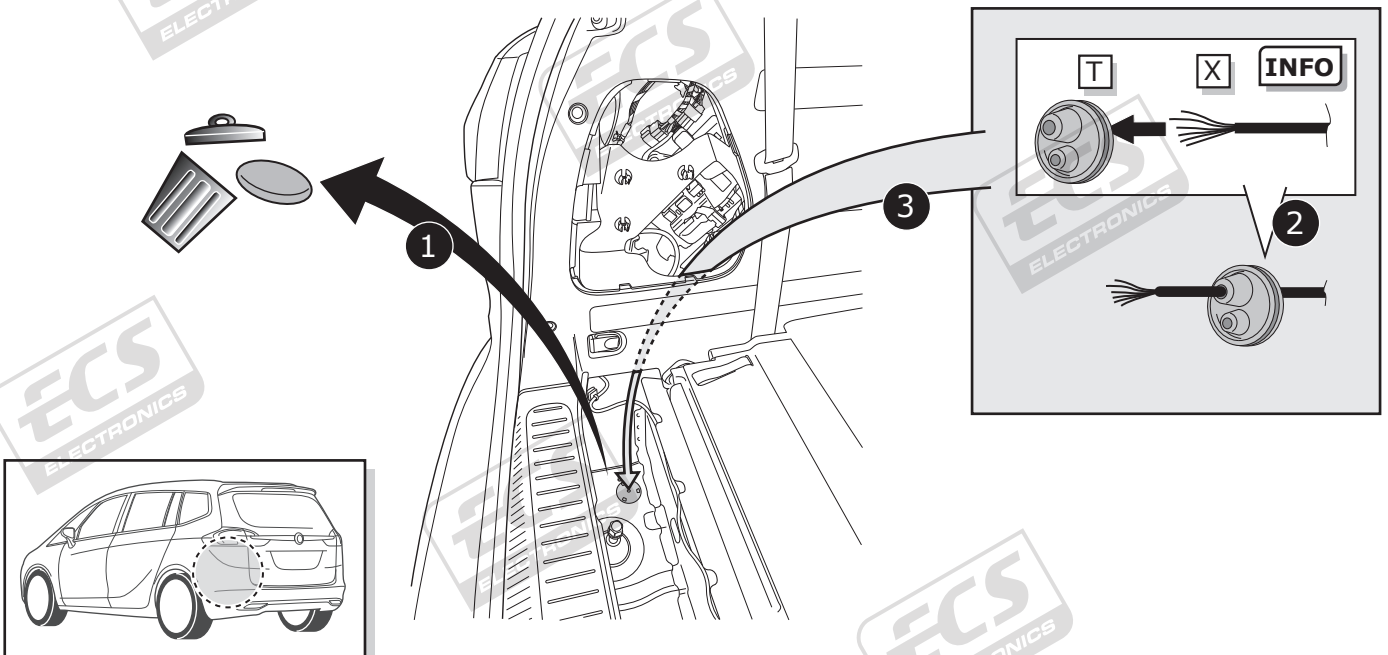
Pag. 8

Pag. 11

1



2

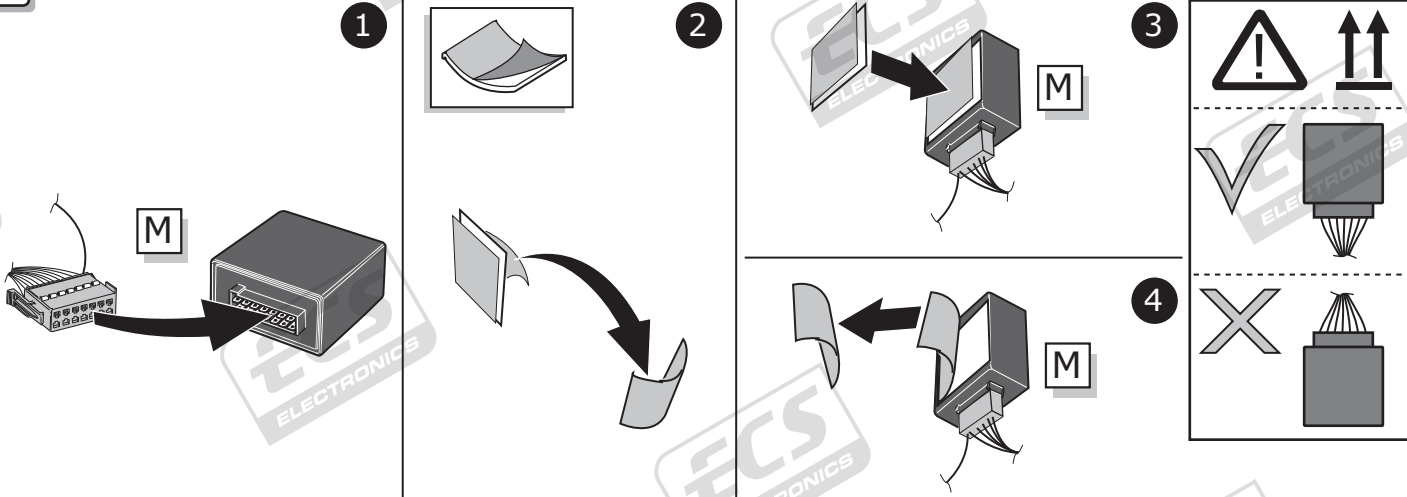


3

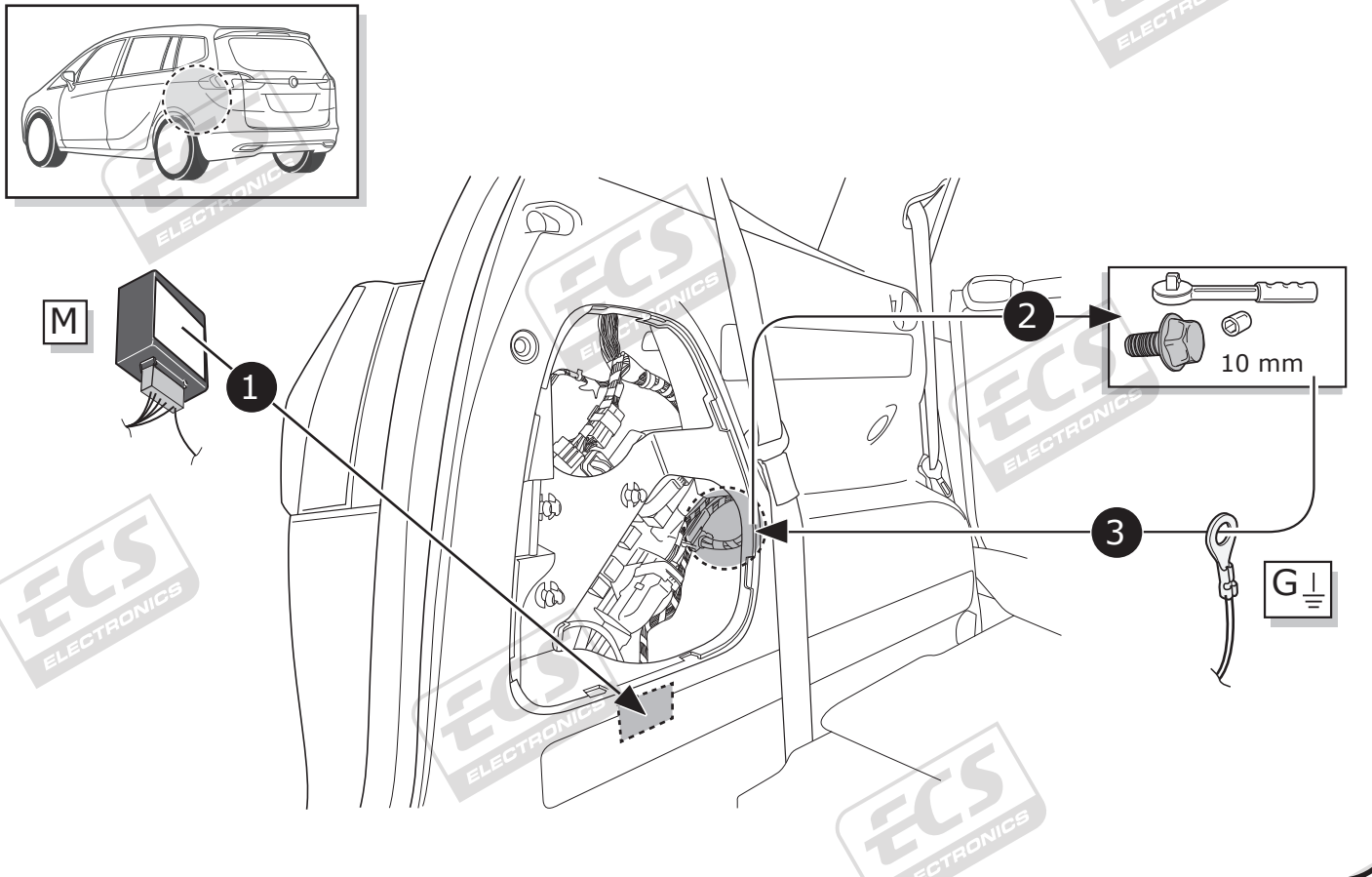


Pag. 35

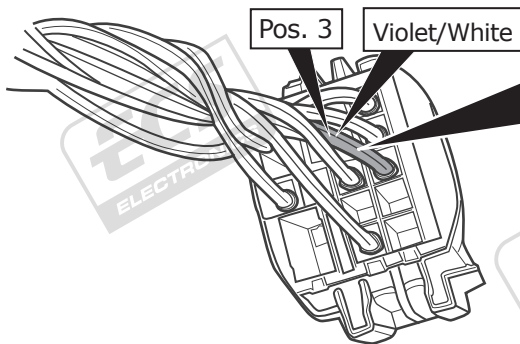
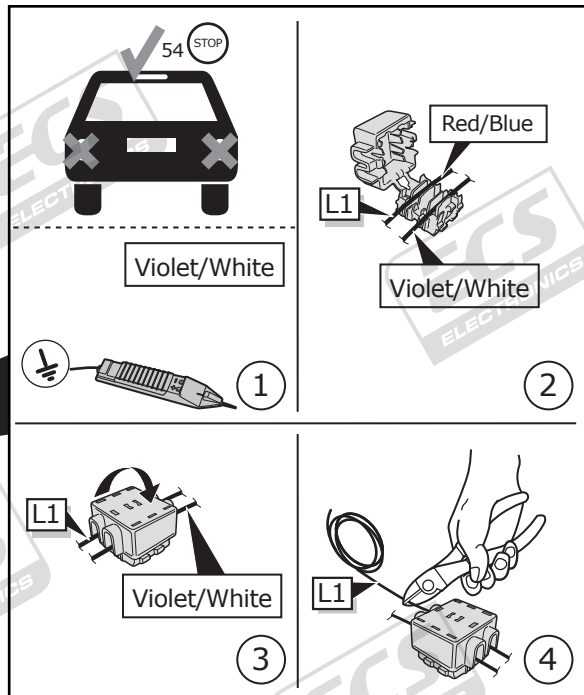
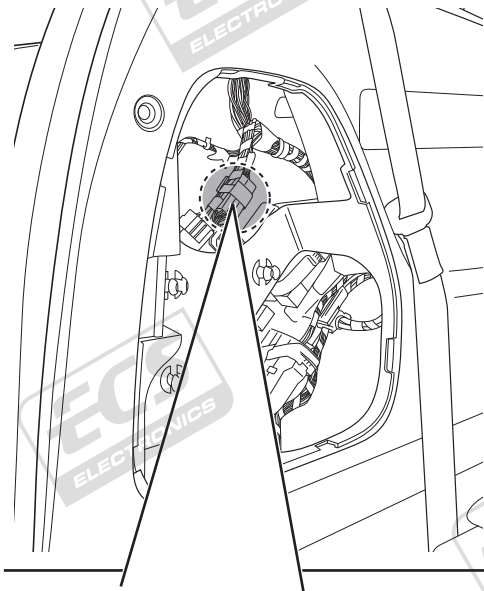
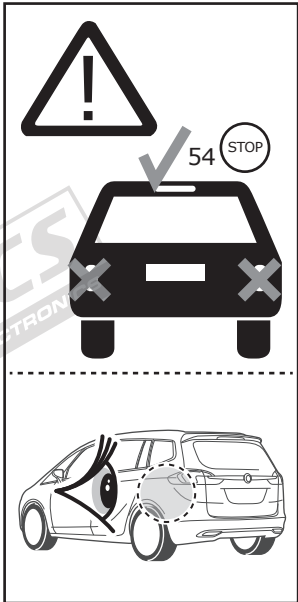
4



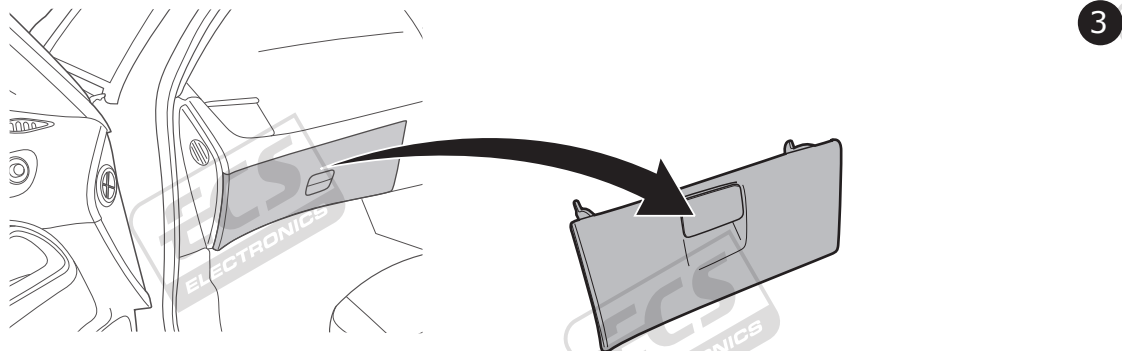
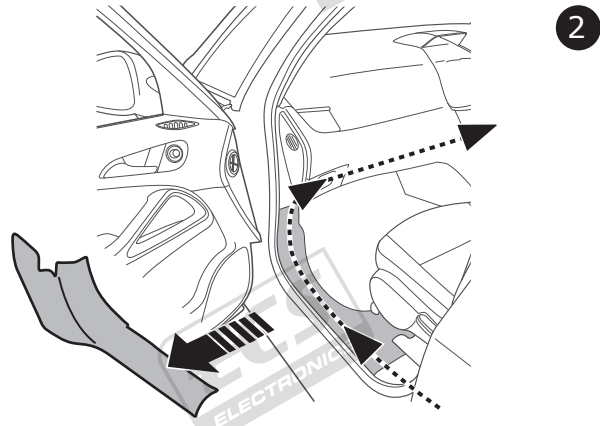
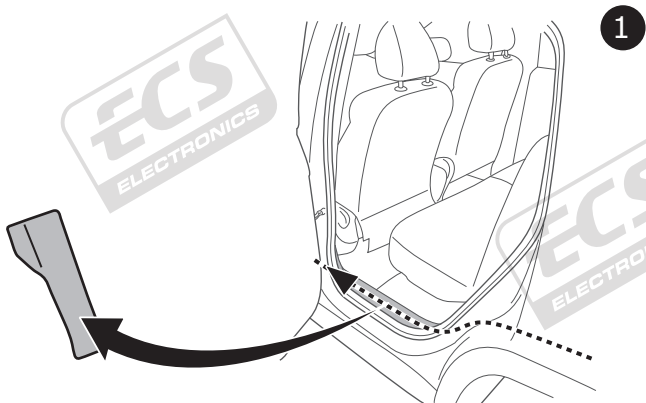
5



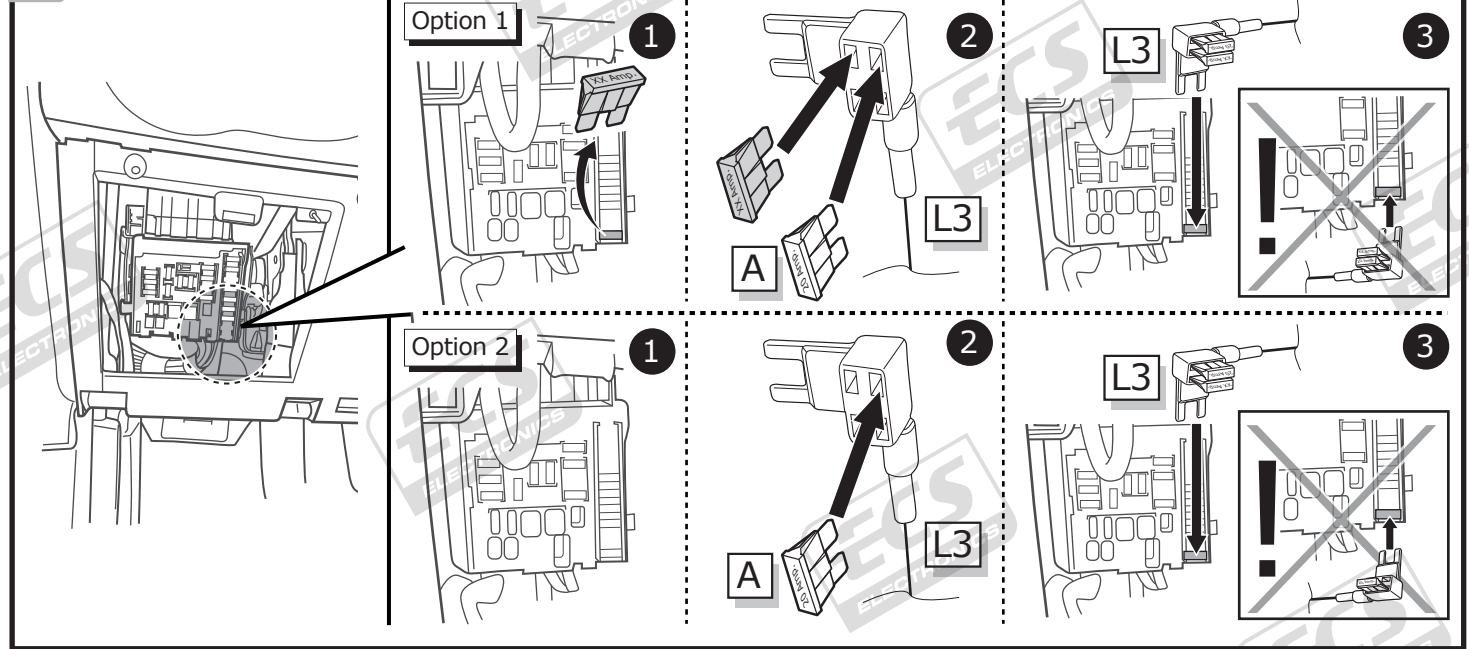
6



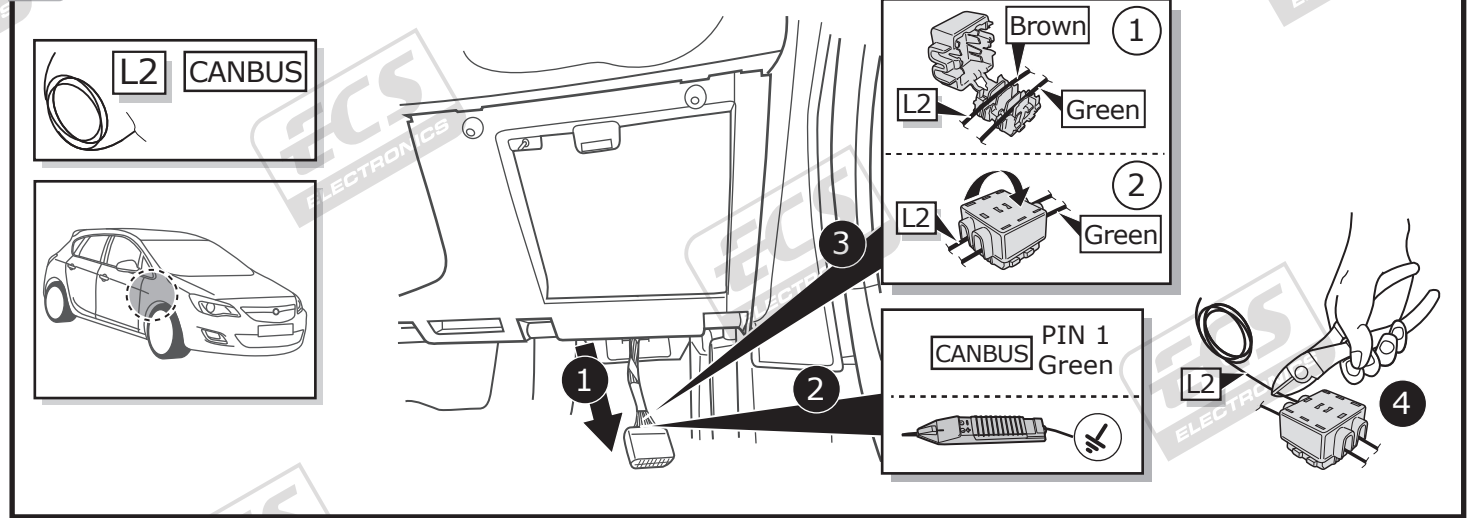
7



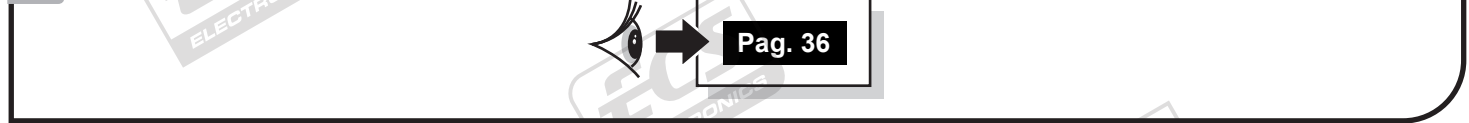
8



9



10

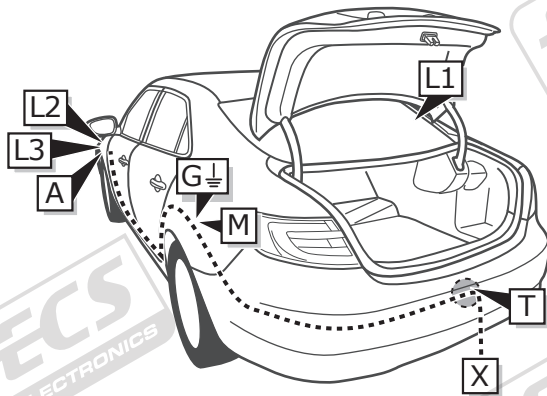


INFO

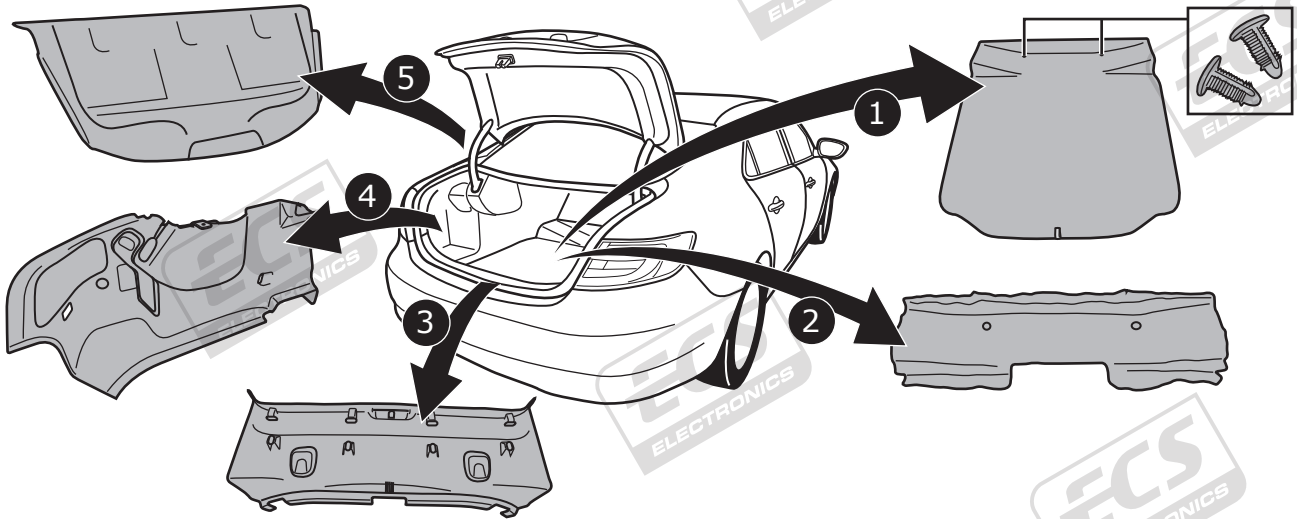
Saab 9-5

Pag. 12

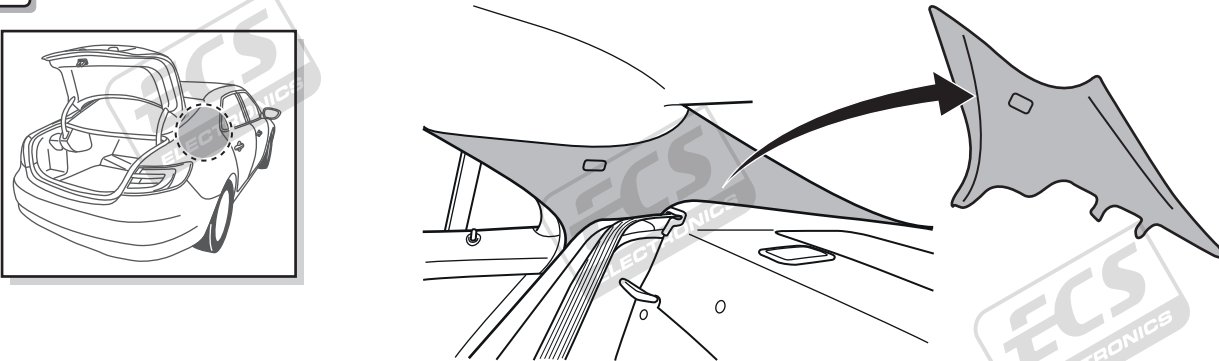
-
Pag. 15



1

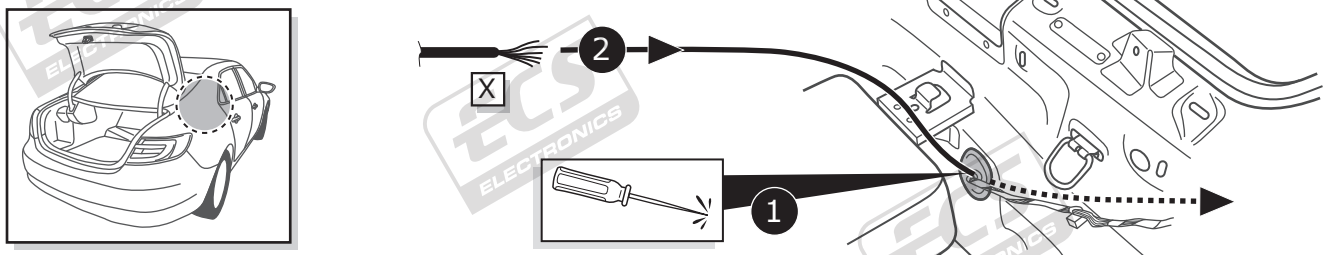


2



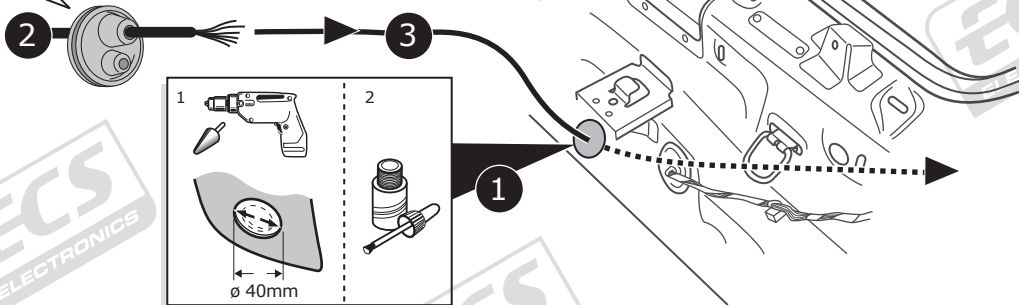
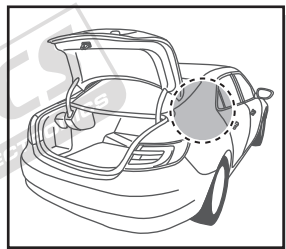
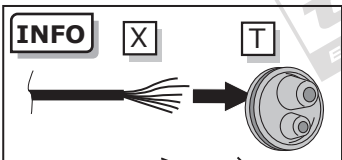
3

Option 1



4

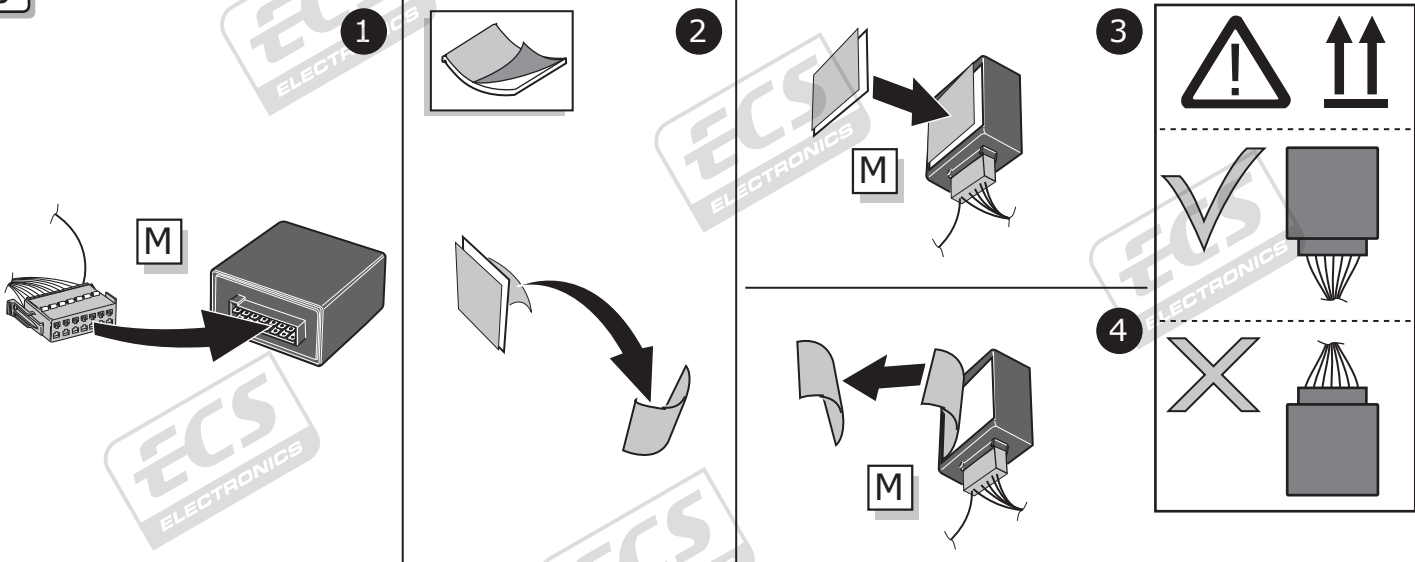
Option 2



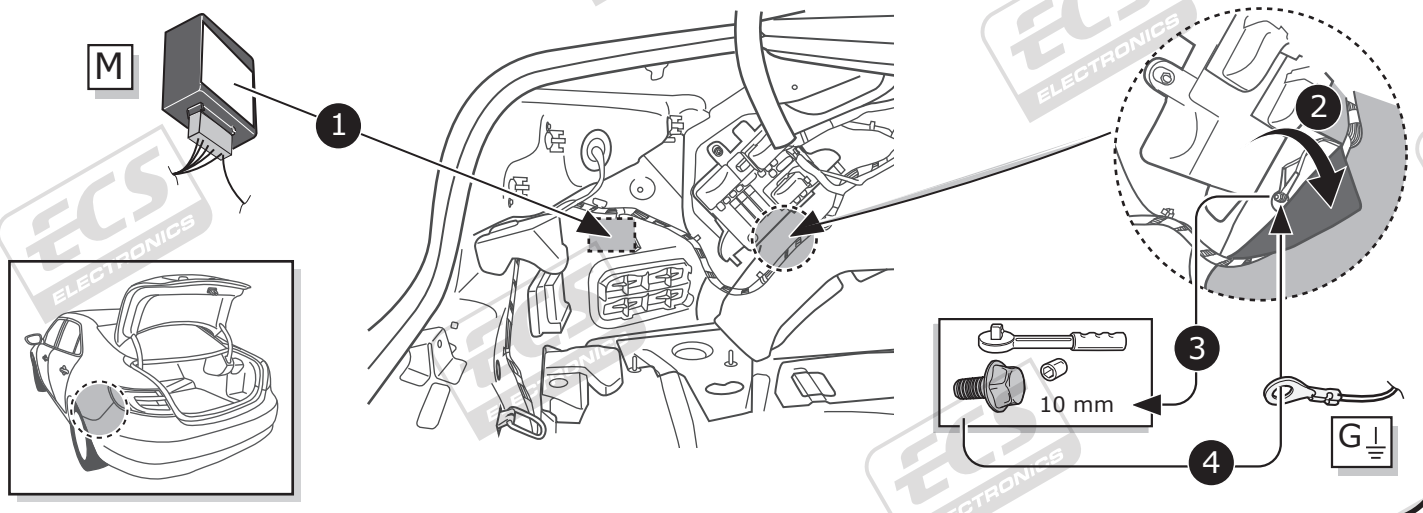
5



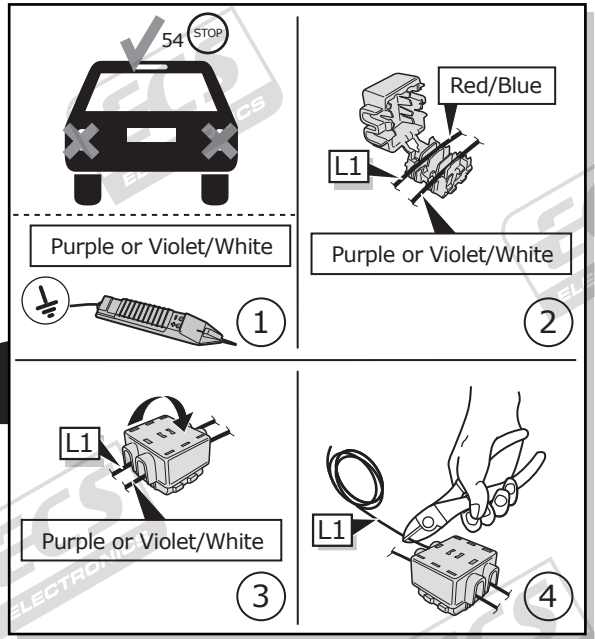
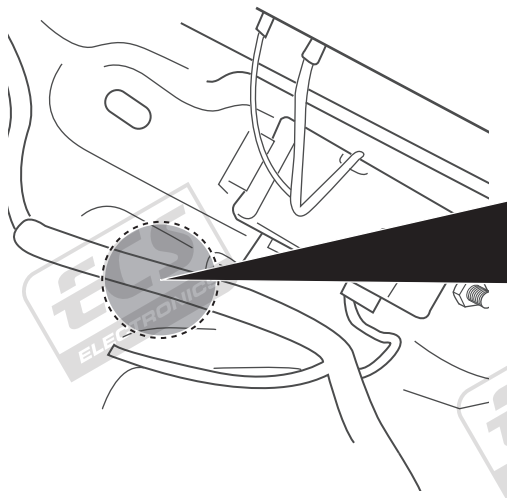
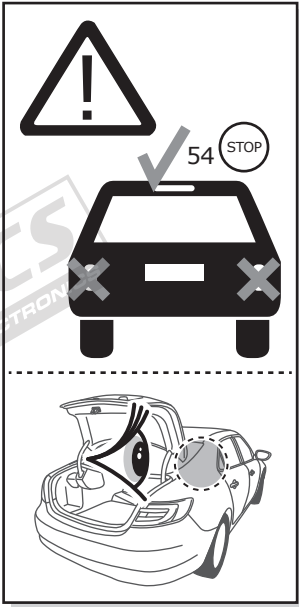
6



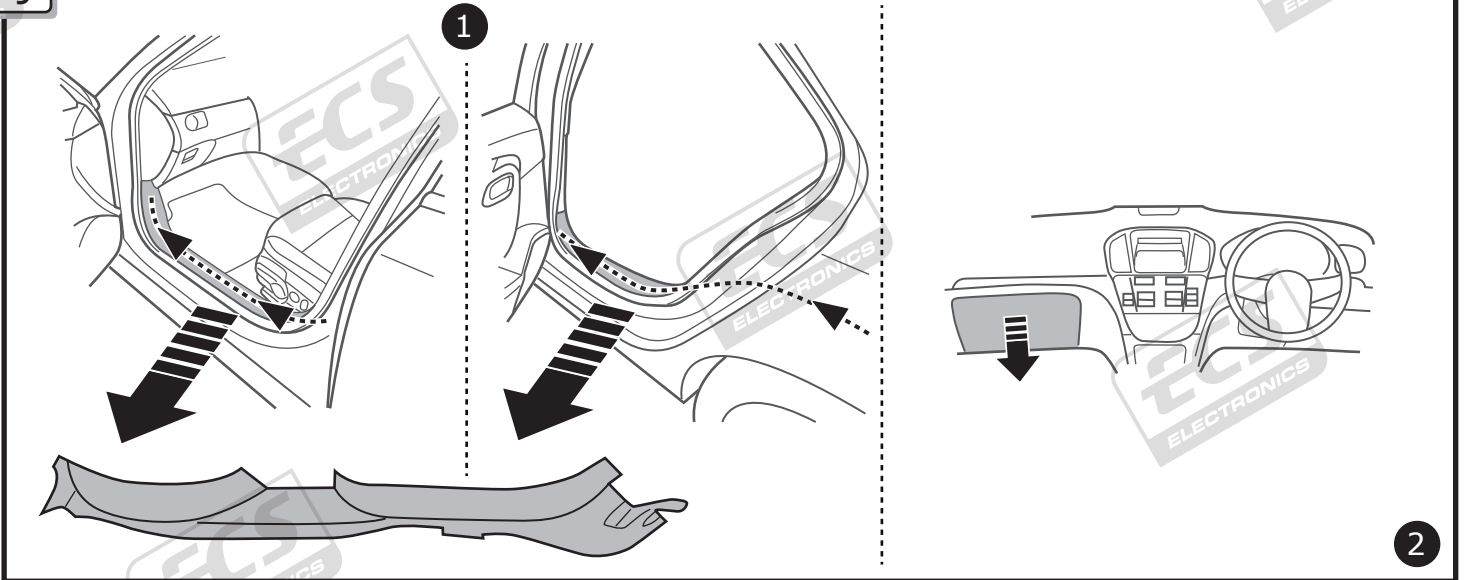
7



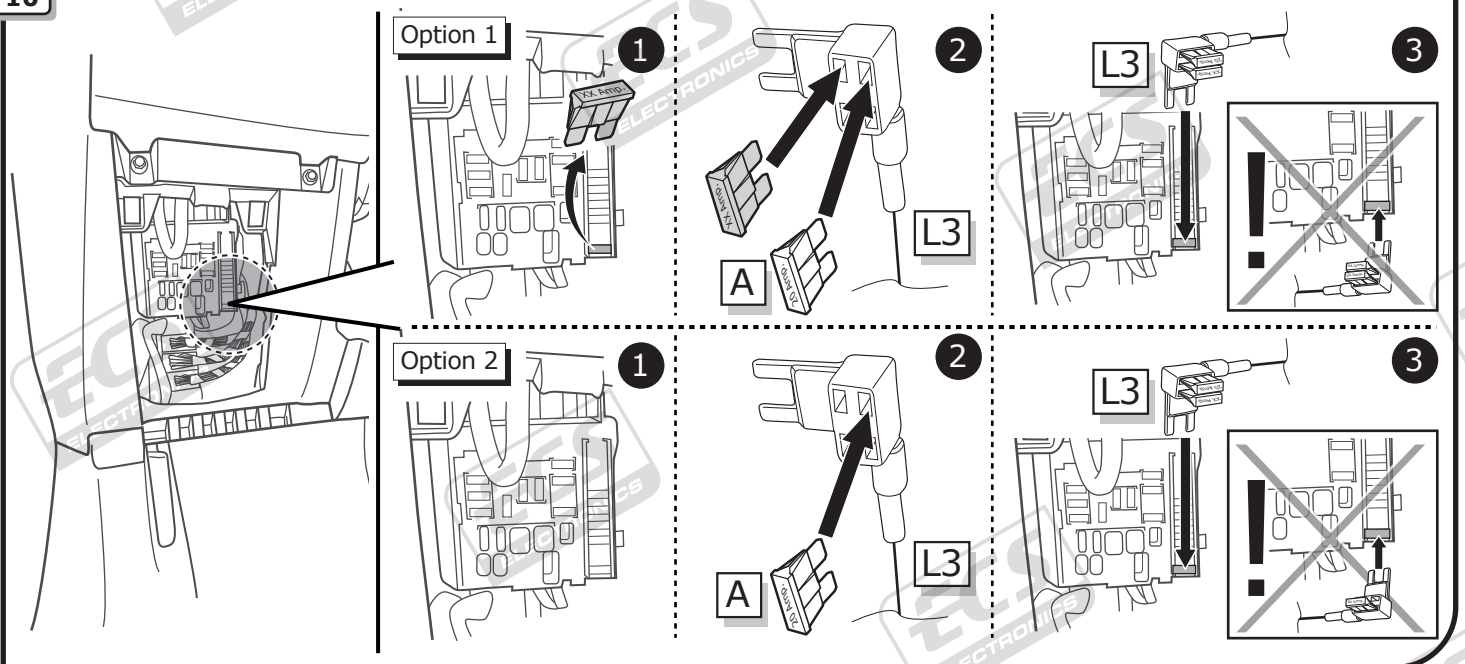
8



9

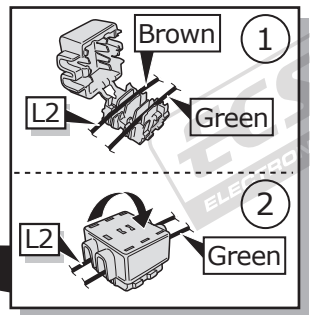
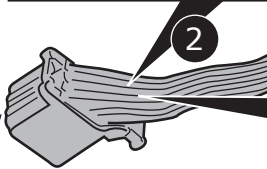
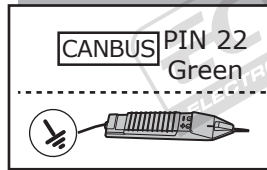
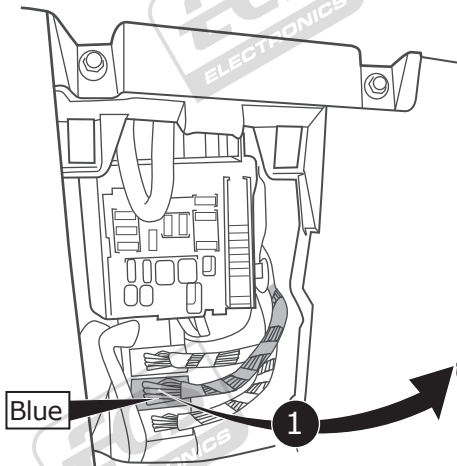
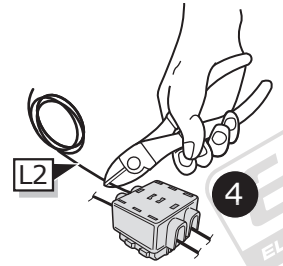
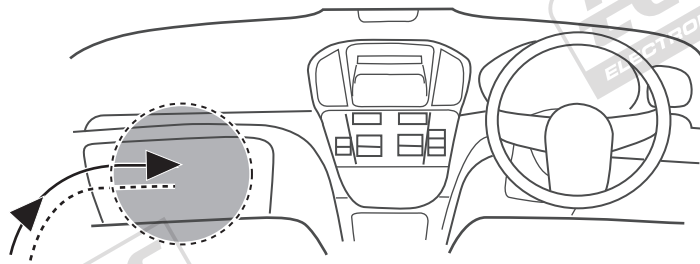
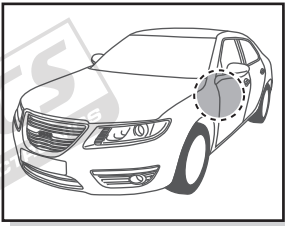
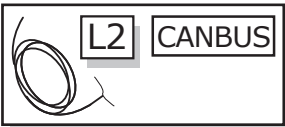


10



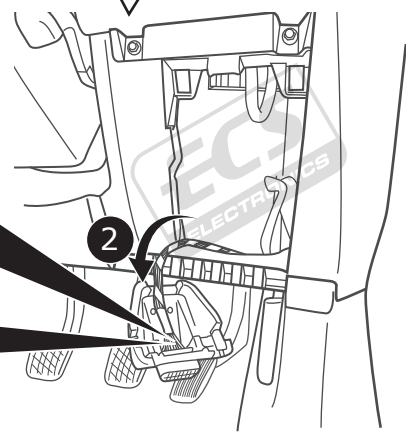
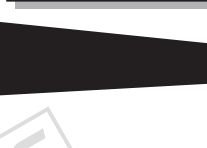
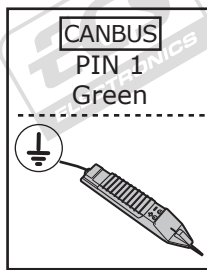
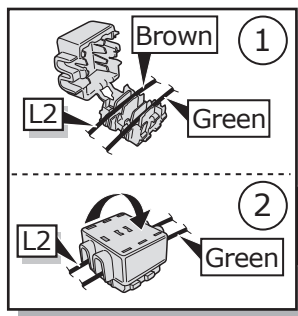
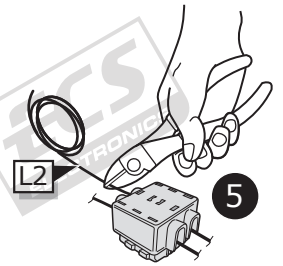
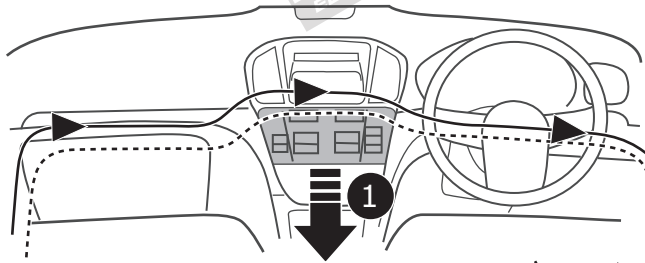
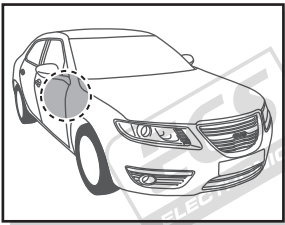
11

Option 1



12

Option 2



13



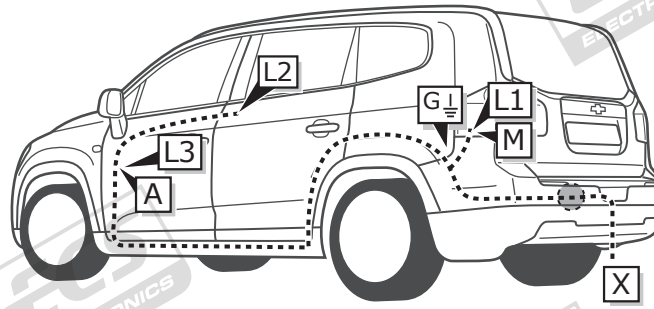
Pag. 36

INFO

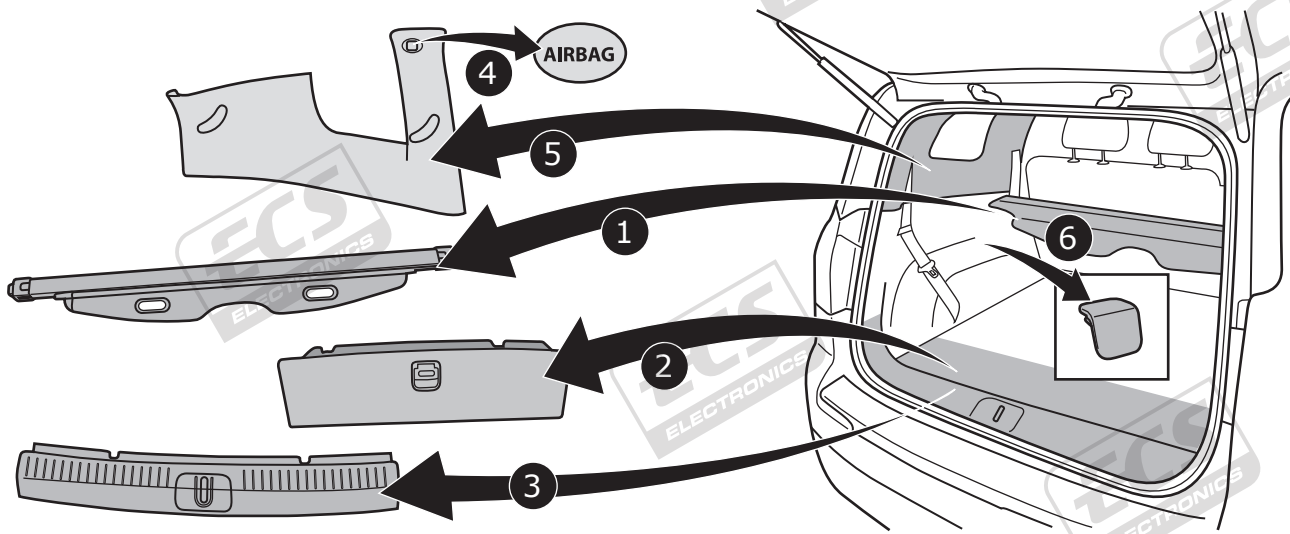
Orlando

Pag. 16

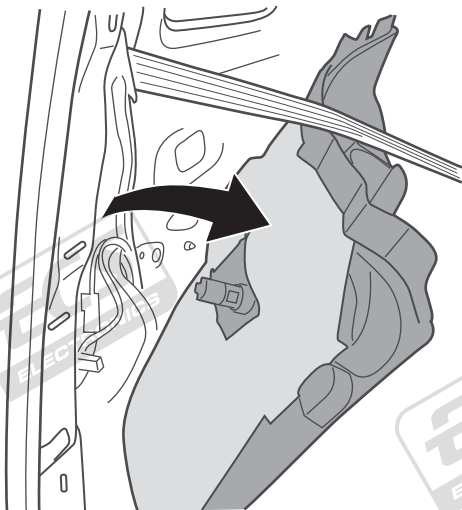
Pag. 19



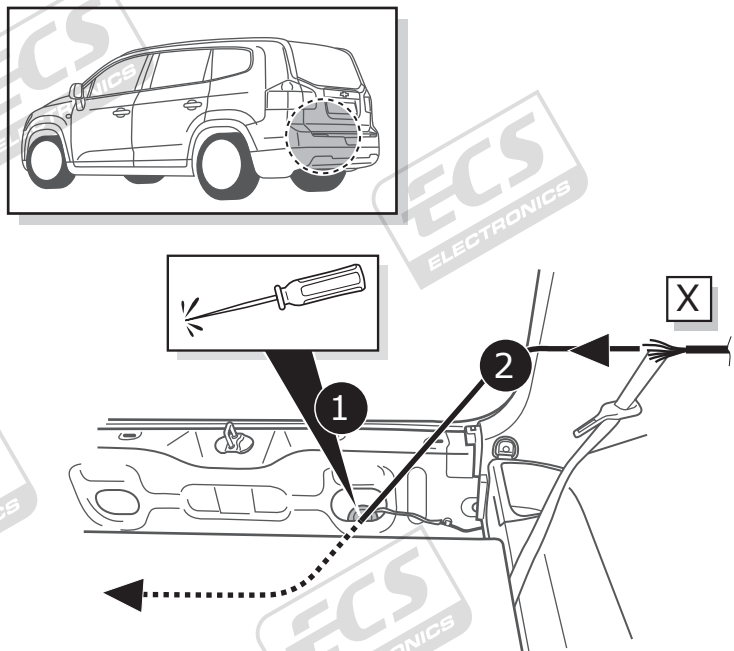
1



2



3

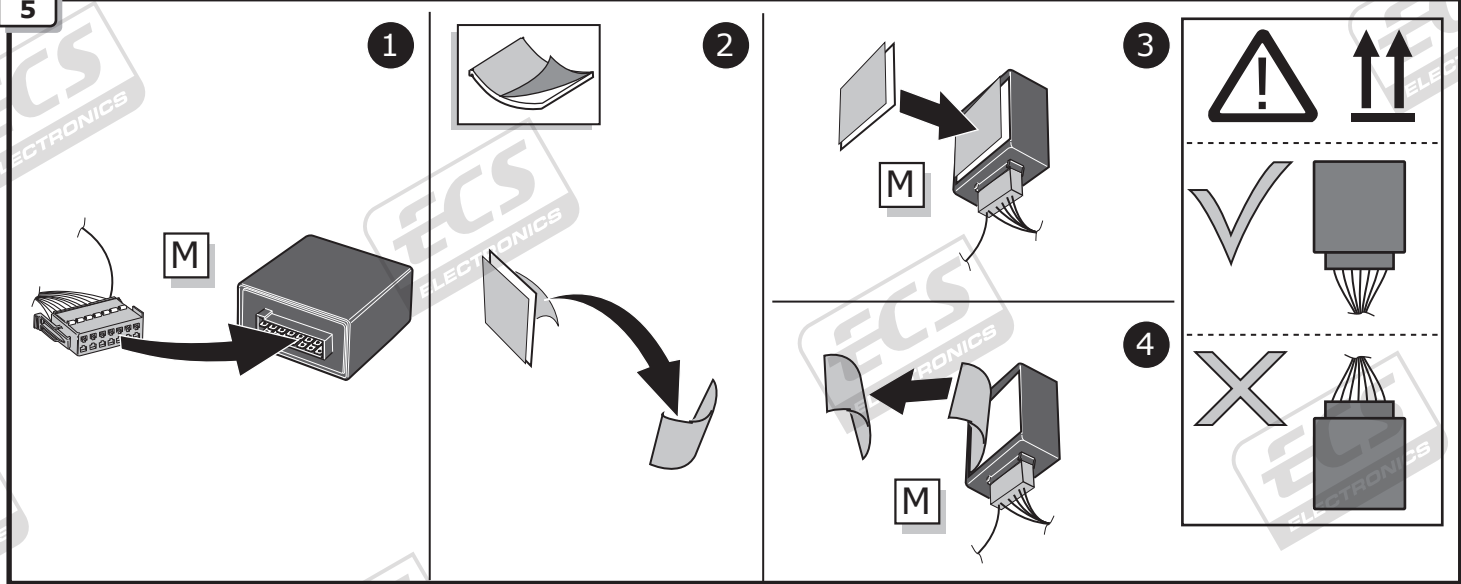


4

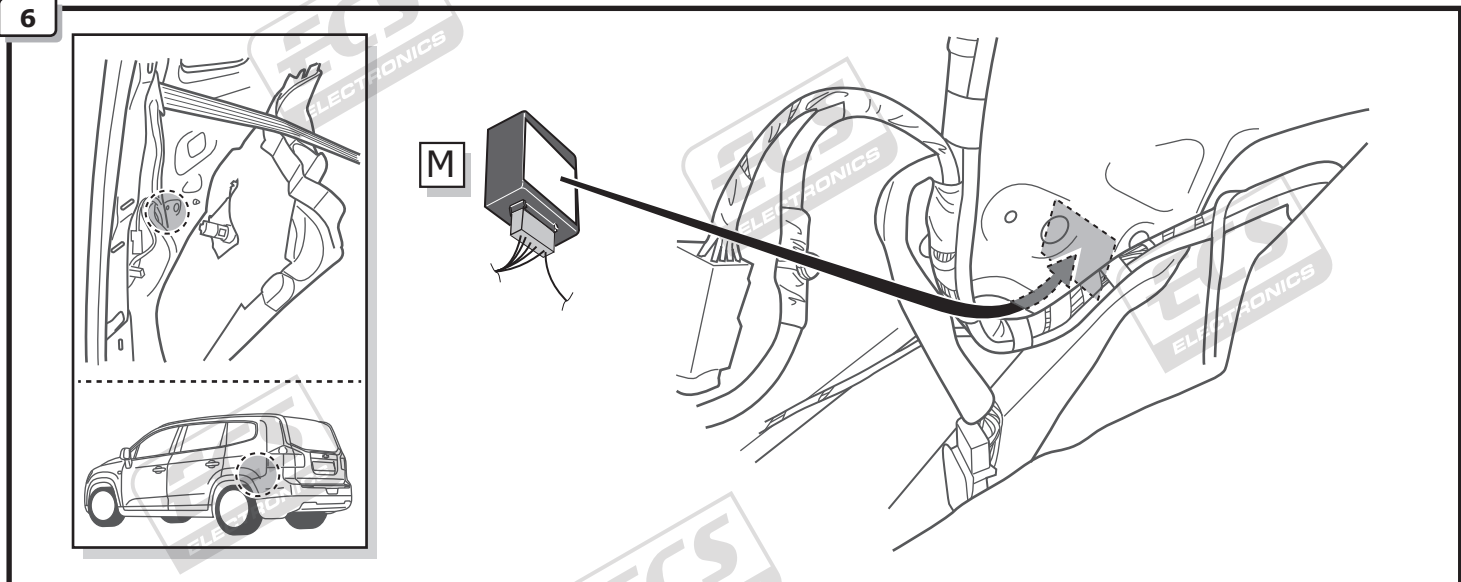


Pag. 35

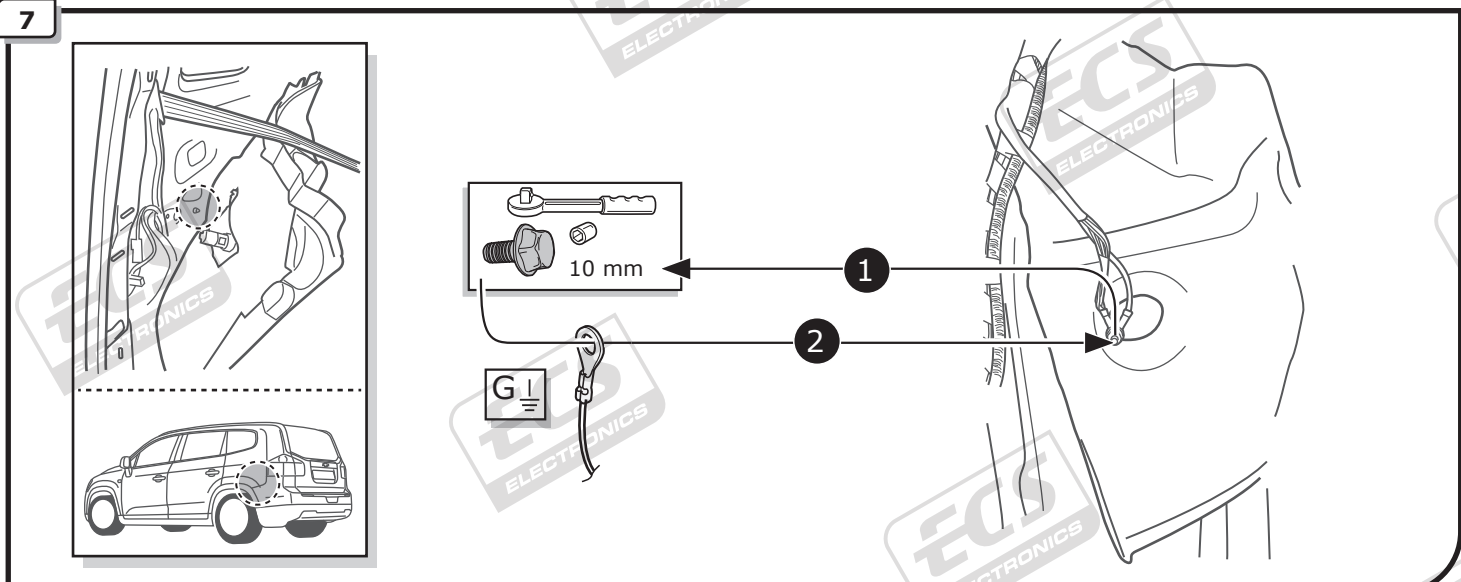
5



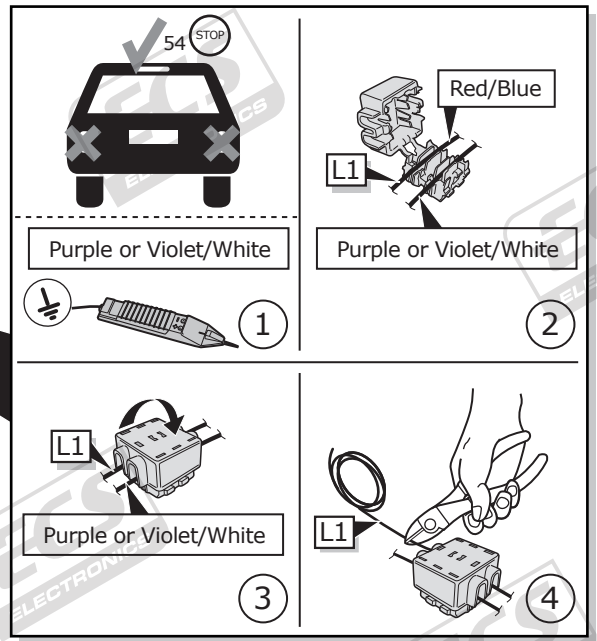
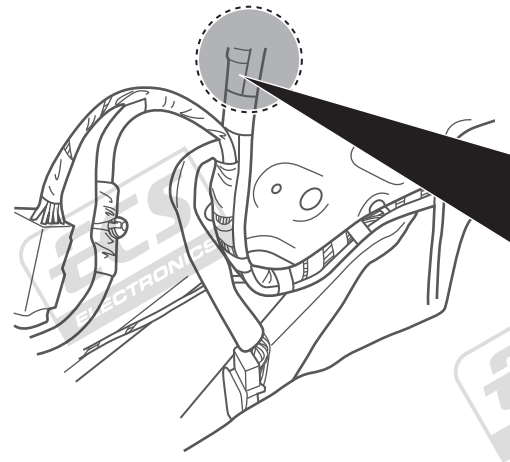
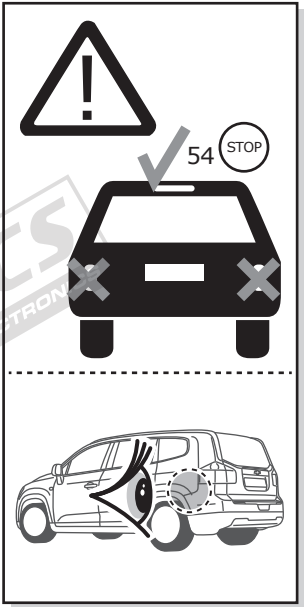
6



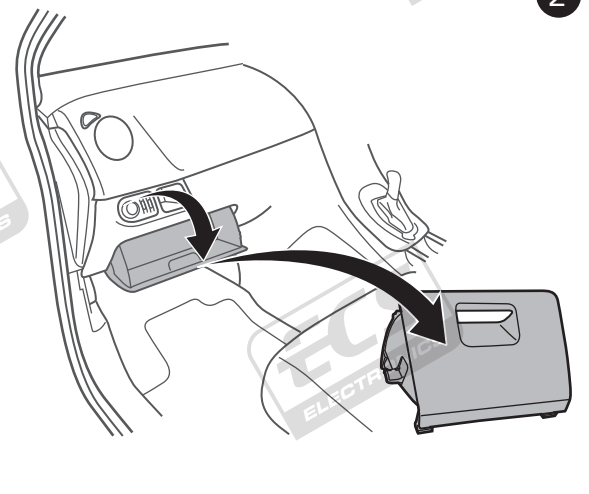
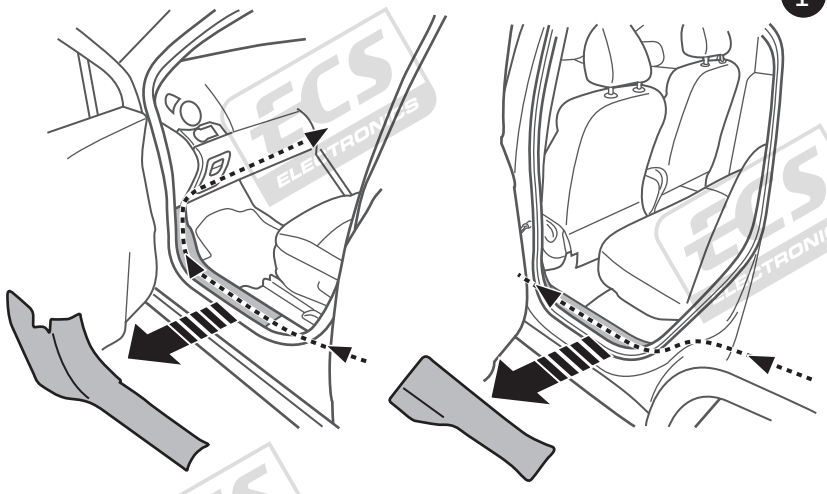
7



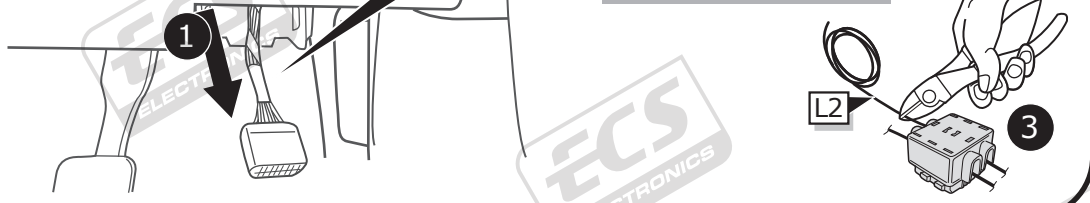
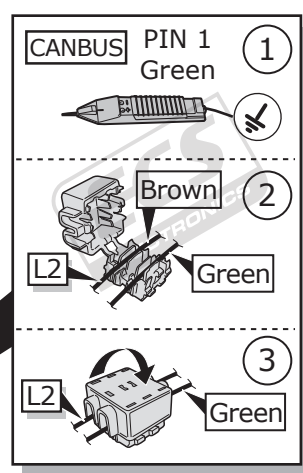
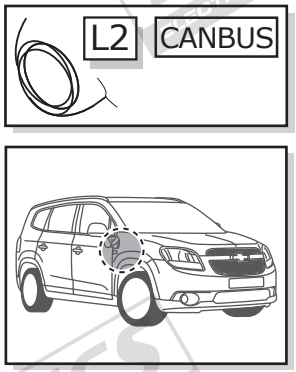
8



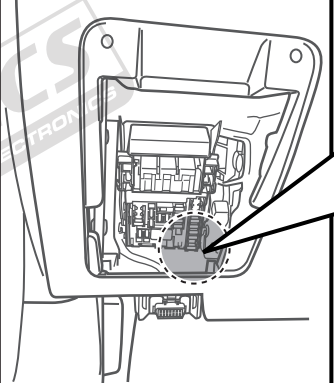
9



10



11

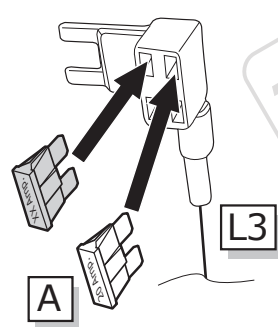


Option 1

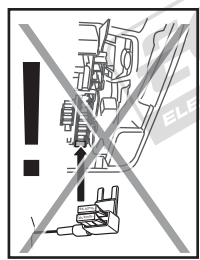
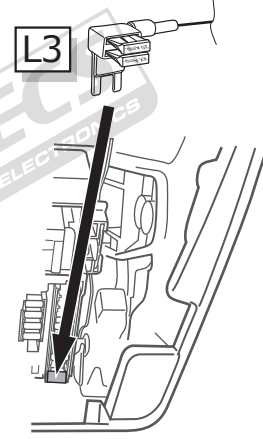
1



2

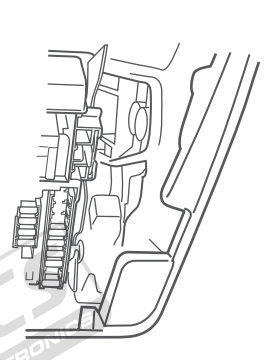


3

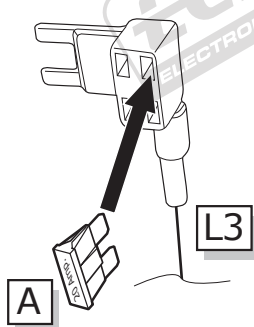


Option 2

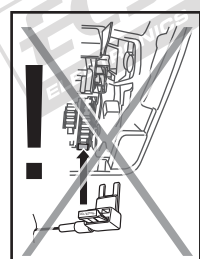
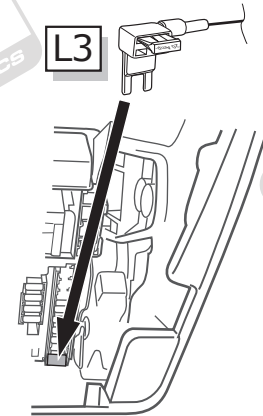
1



2



3



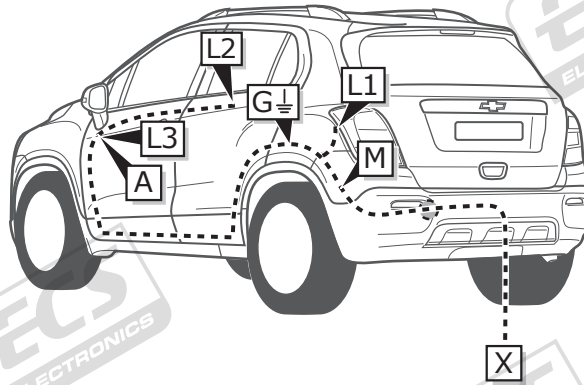
12



Pag. 36

Trax

INFO

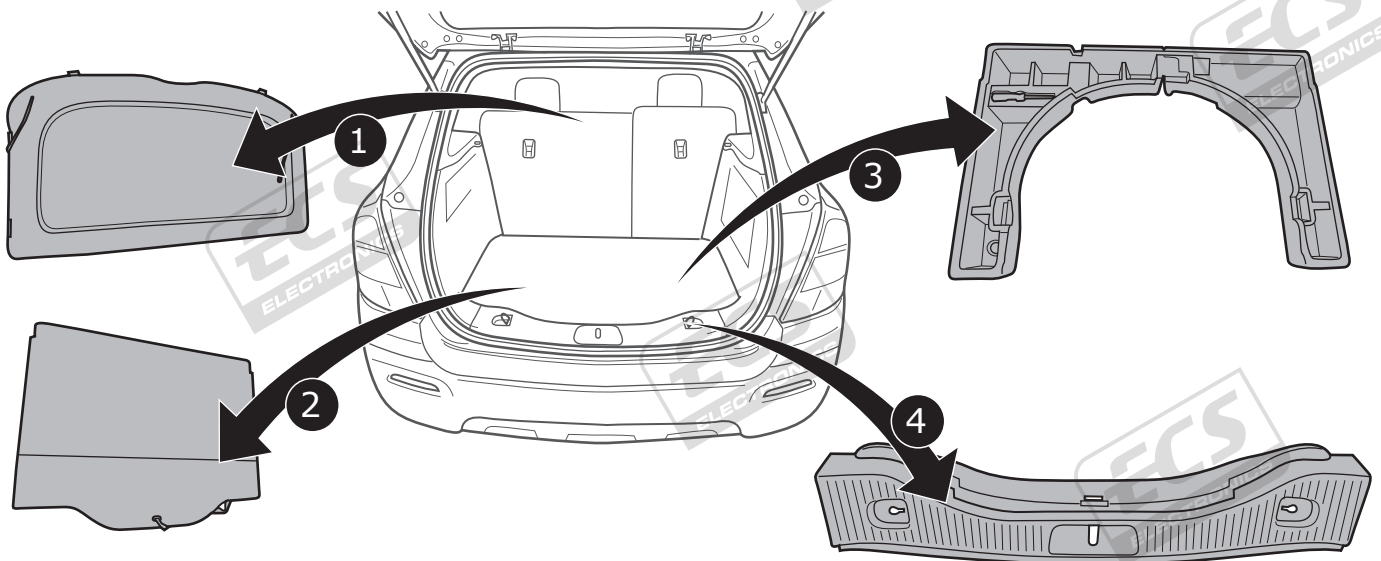


Trax

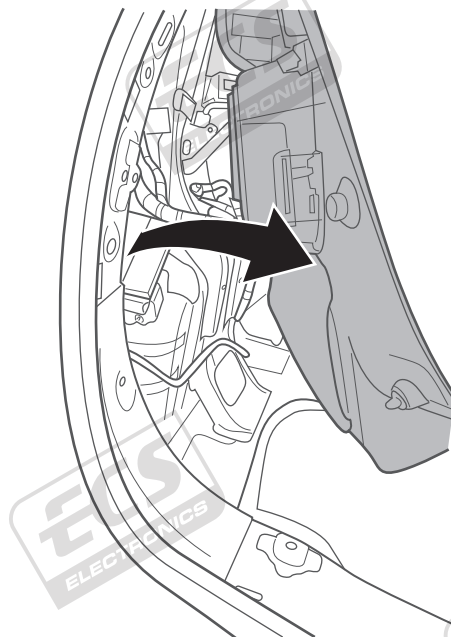
Pag. 20

Pag. 23

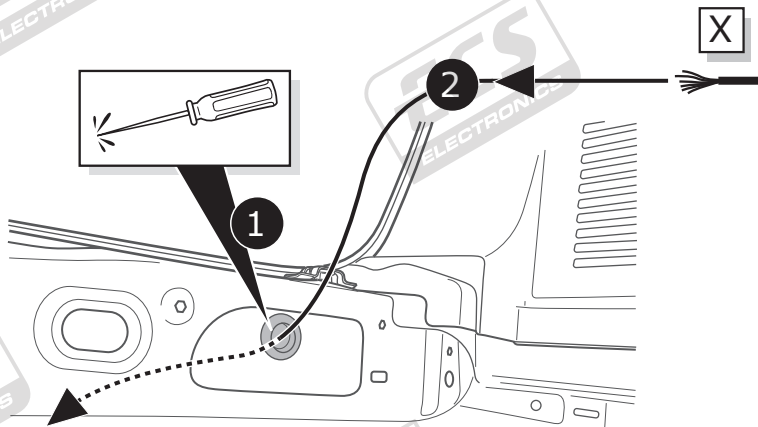
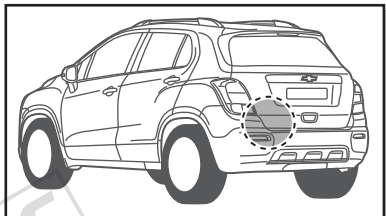
1



2



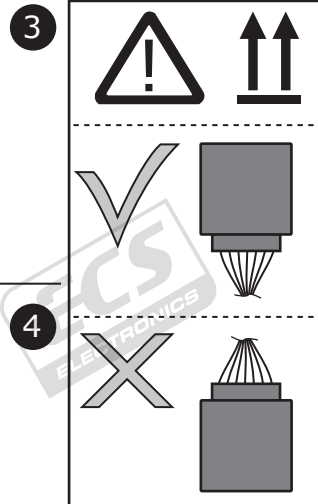
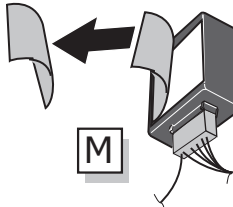
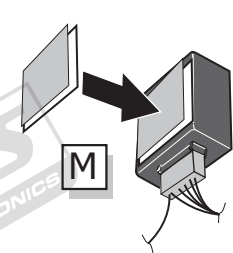
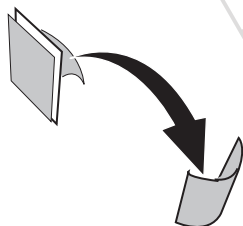
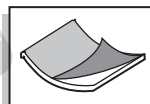
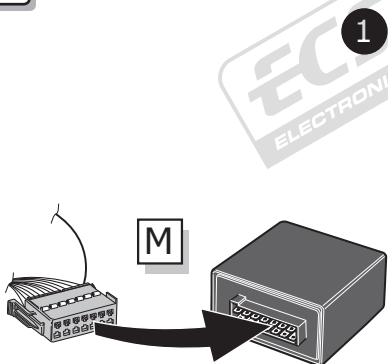
3



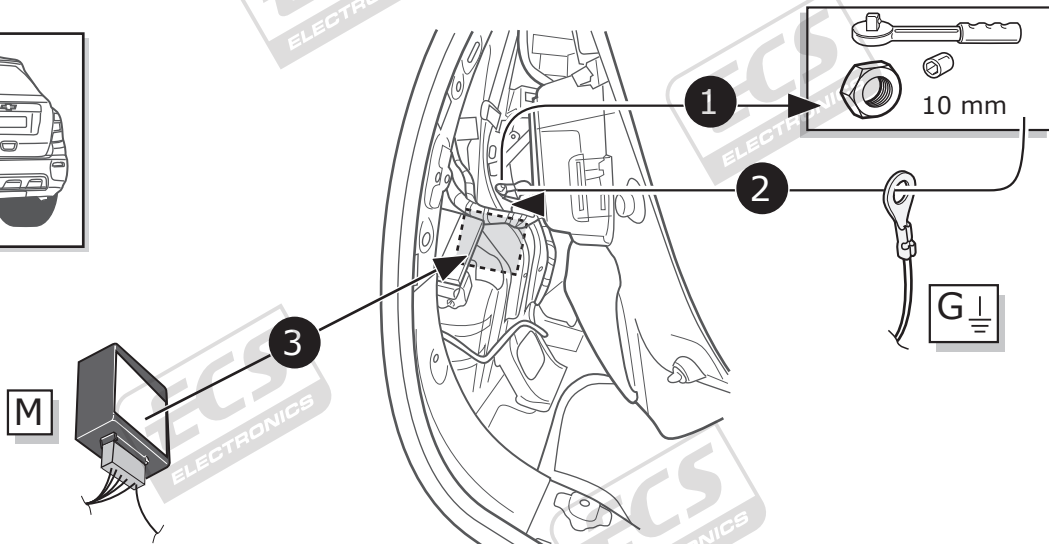
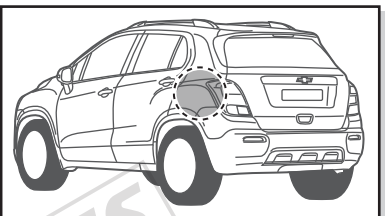
4



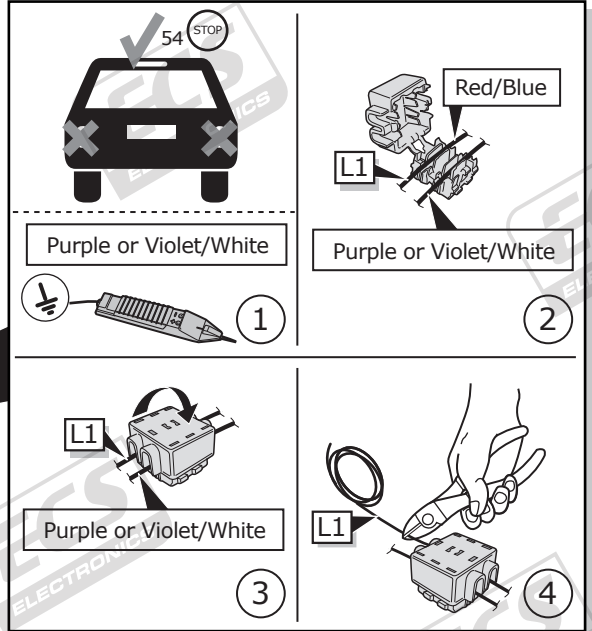
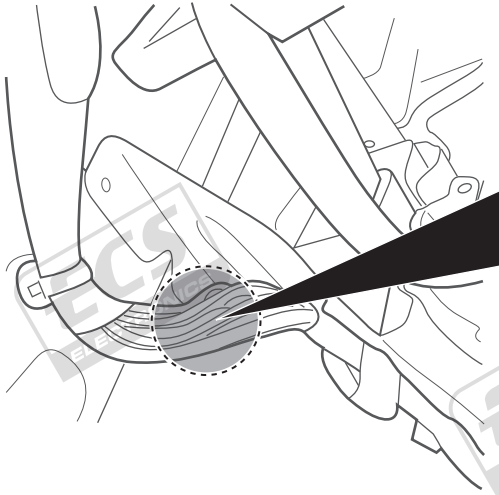
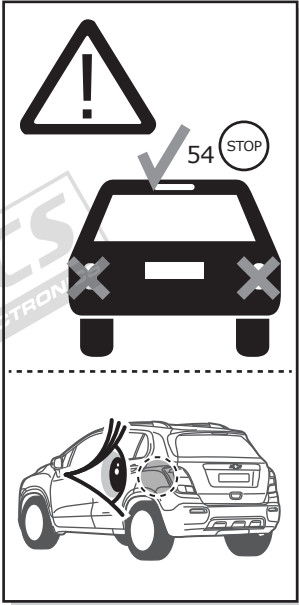
5



6

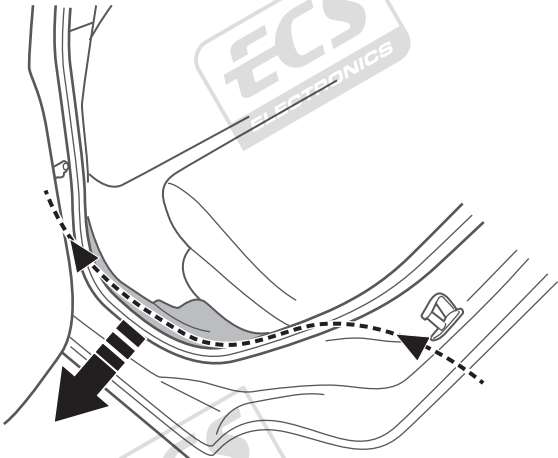


7

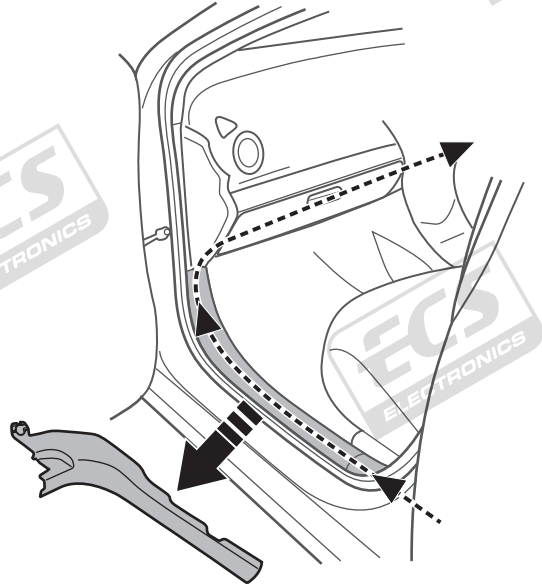


8

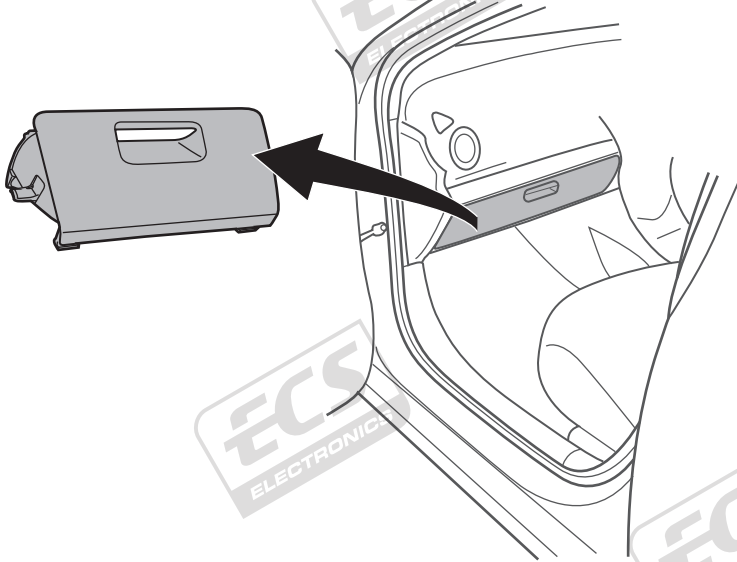
1



2



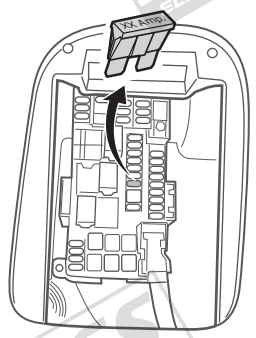
3



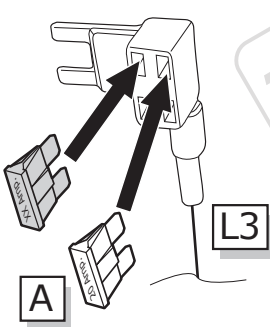
9

Option 1

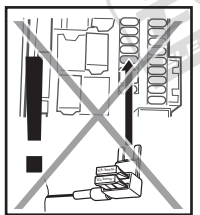
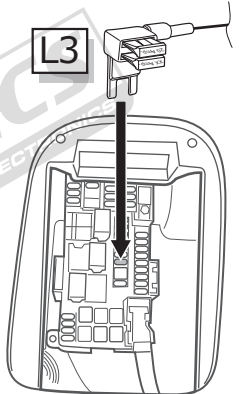
1



2

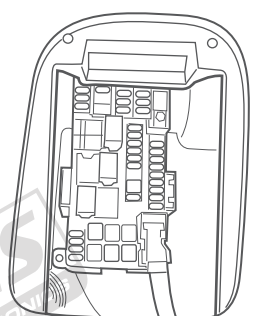


3

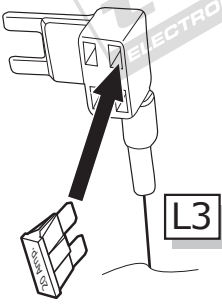


Option 2

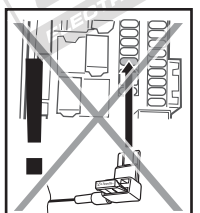
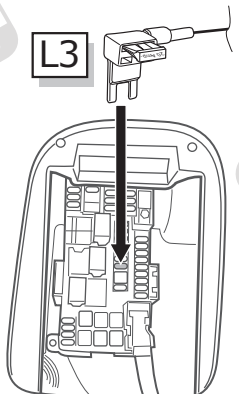
1



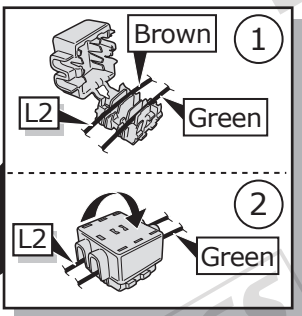
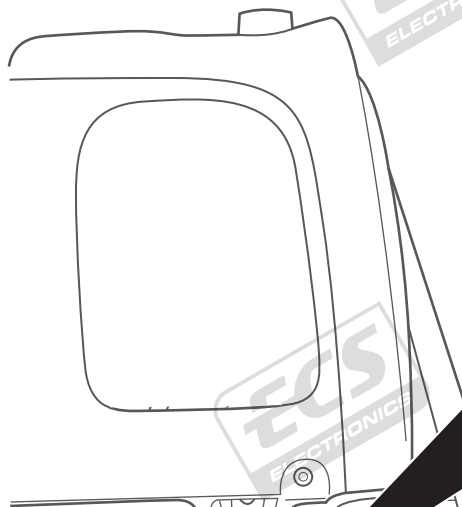
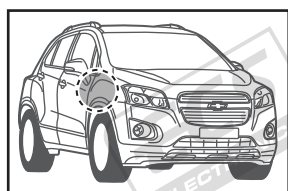
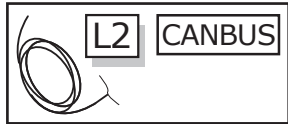
2



3

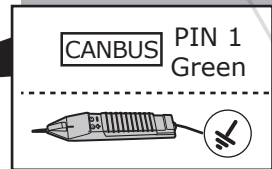


10



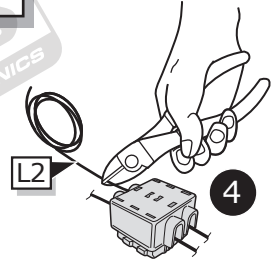
1

2



L2

4

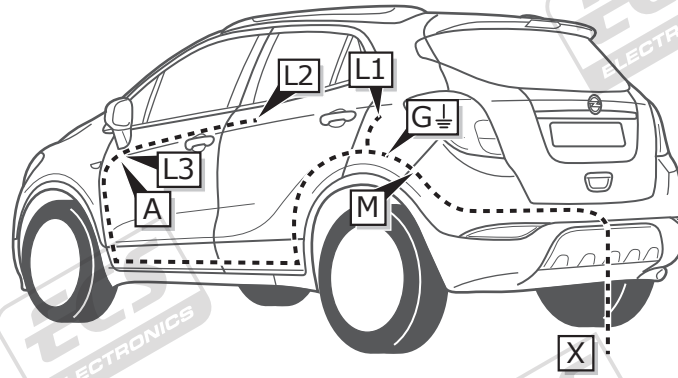


11



Pag. 36

INFO

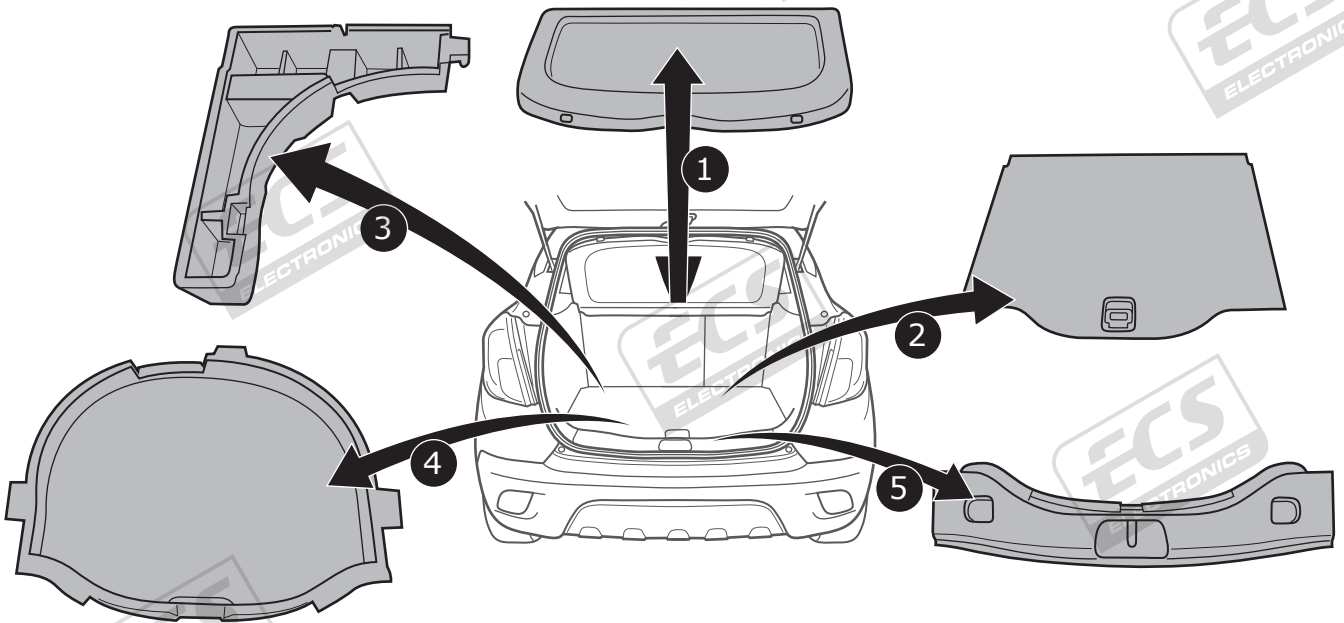


Mokka

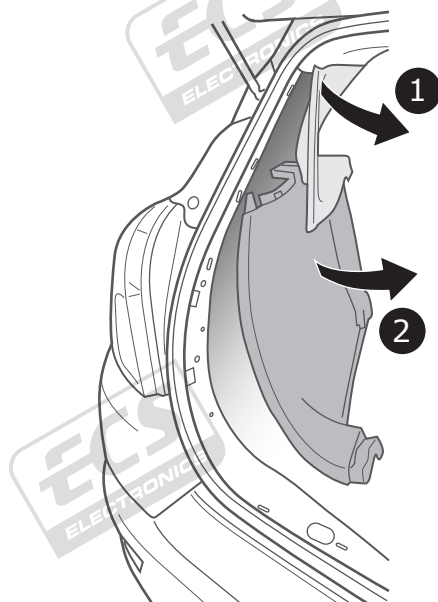
Pag. 24

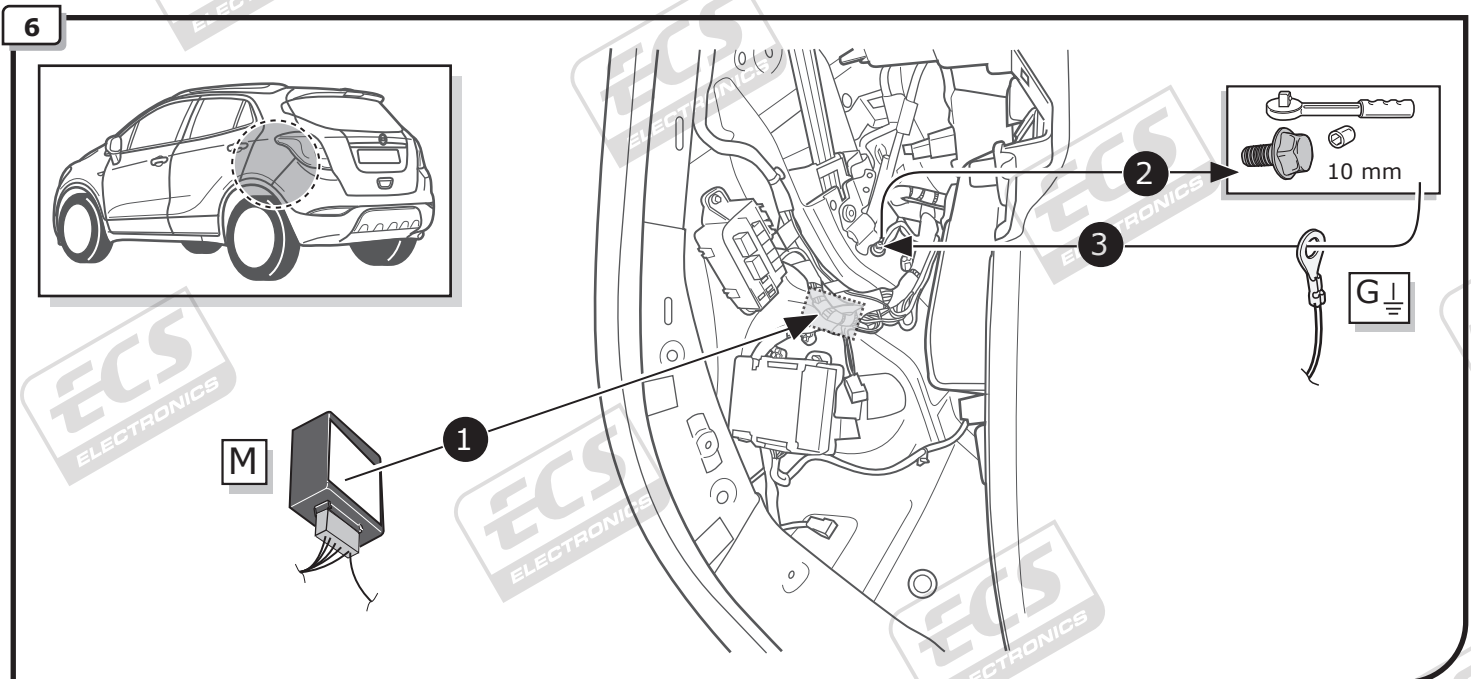
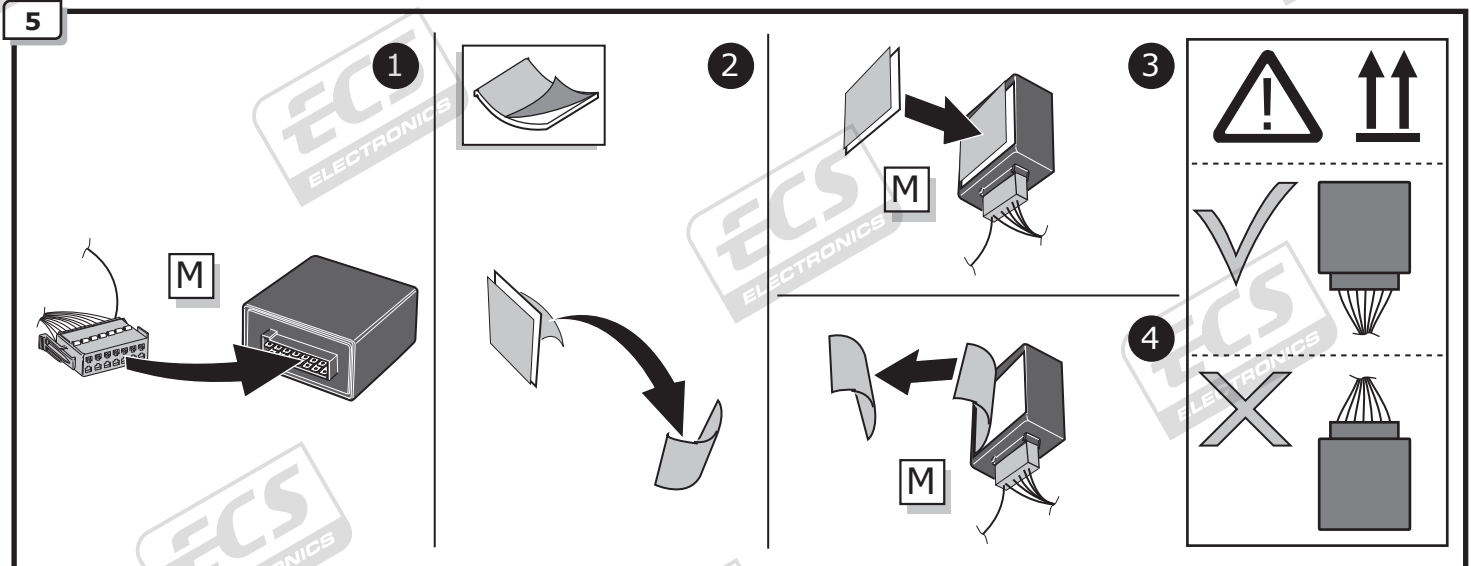
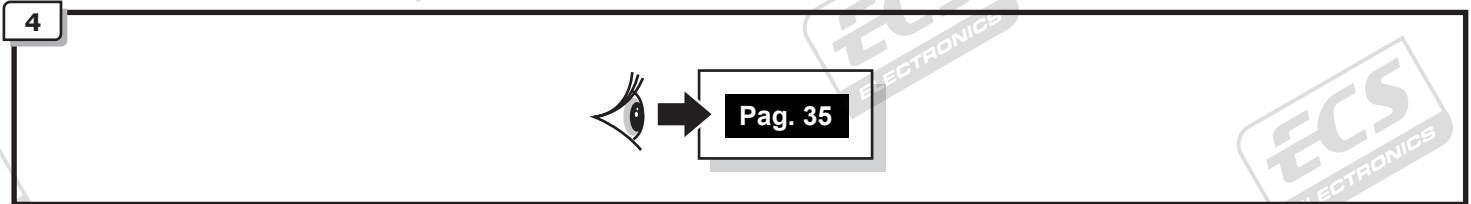
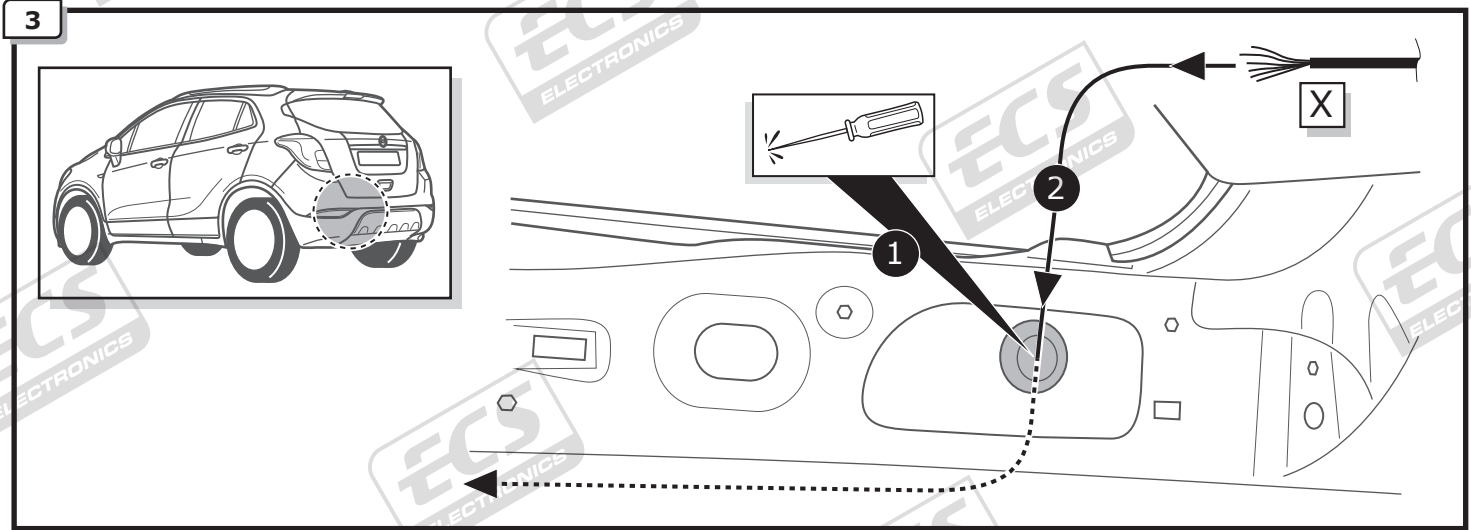
Pag. 30

1

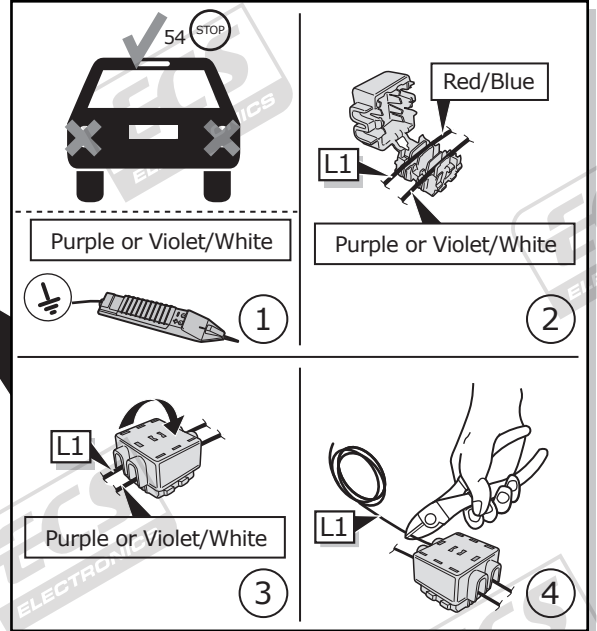
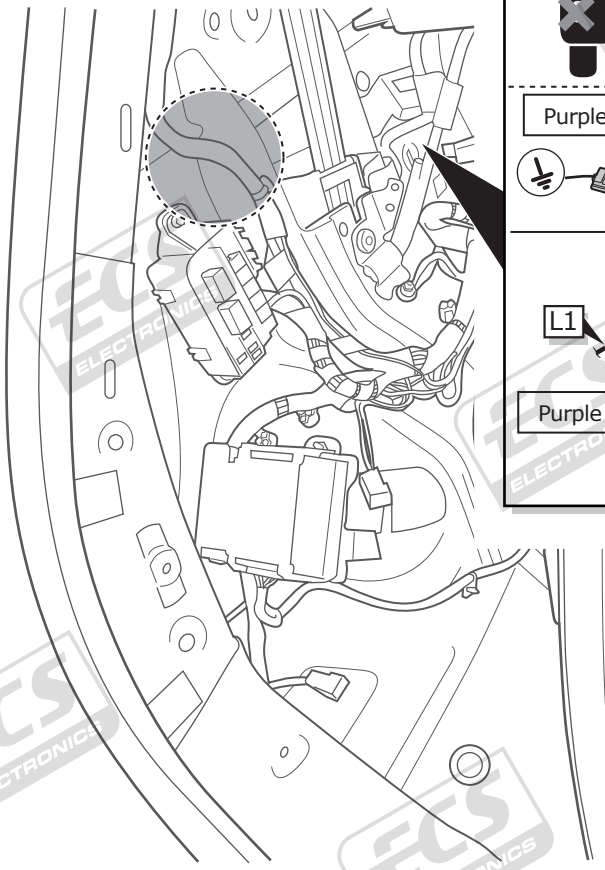
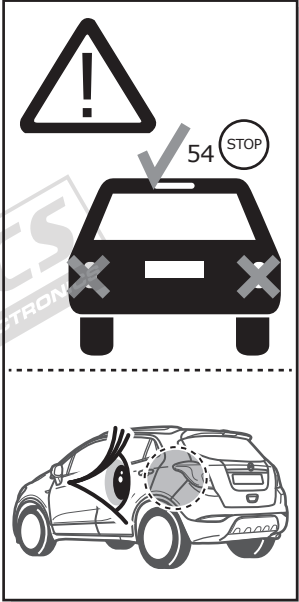


2

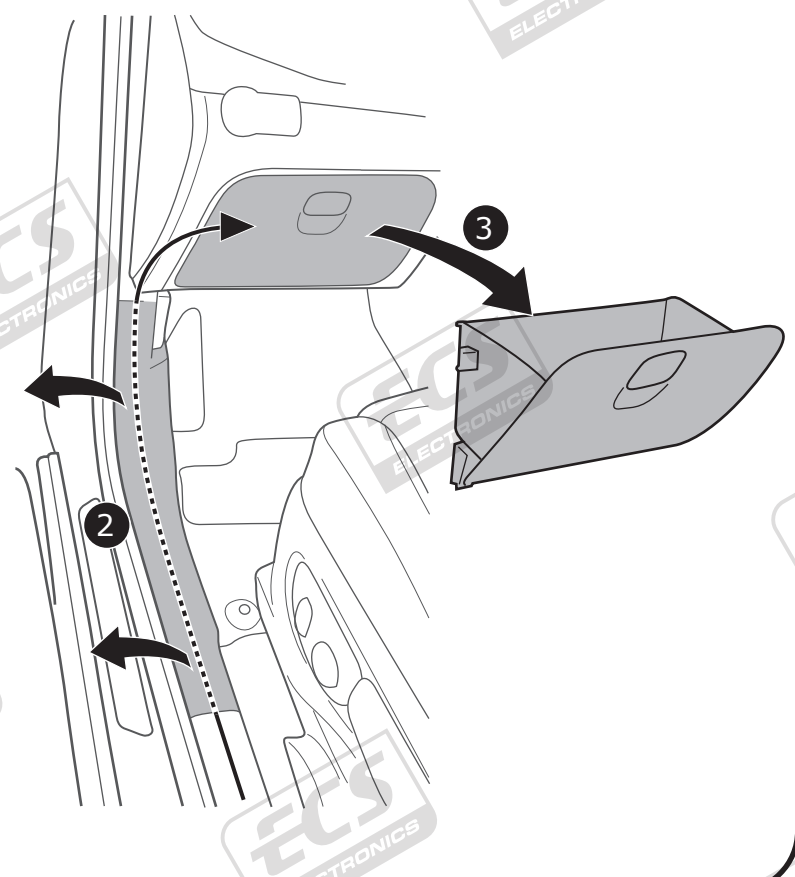
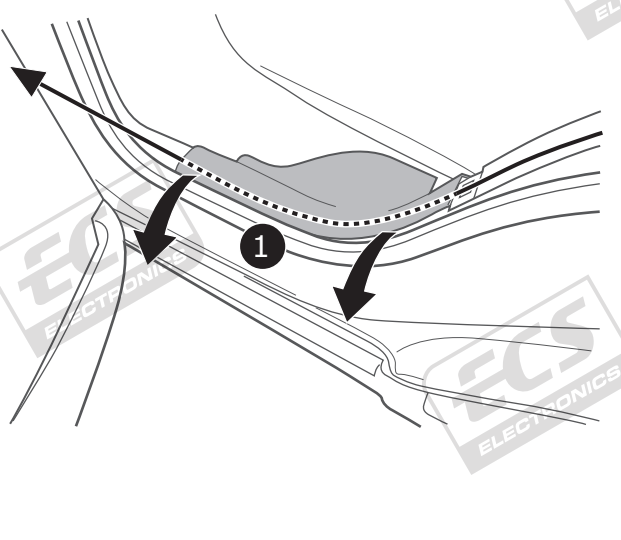
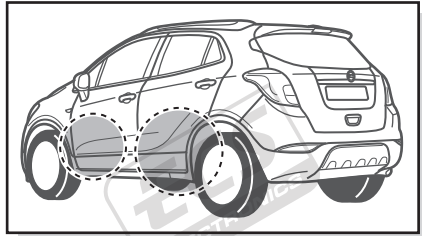




7



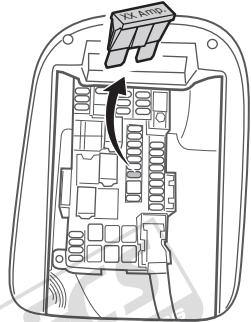
8



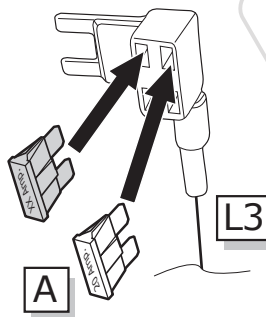
Opel Mokka

Option 1

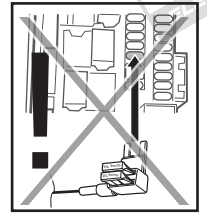
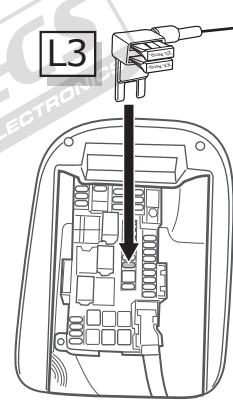
1



2

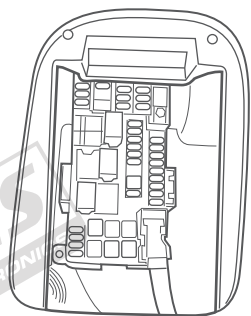


3

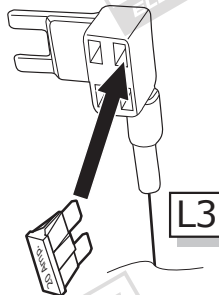


Option 2

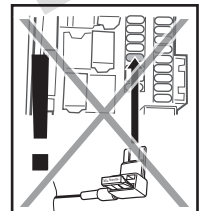
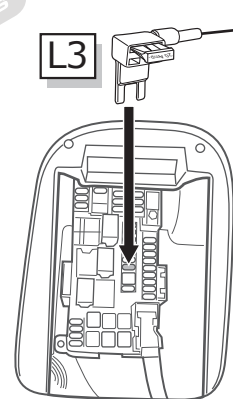
1



2



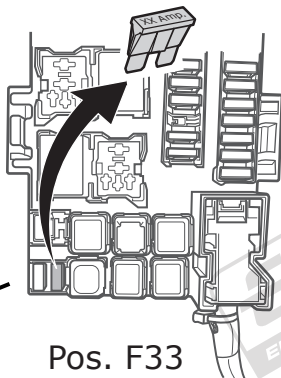
3



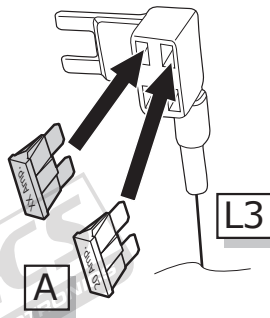
Opel Mokka X

Option 1

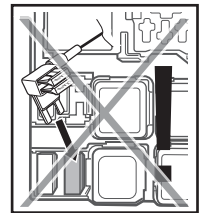
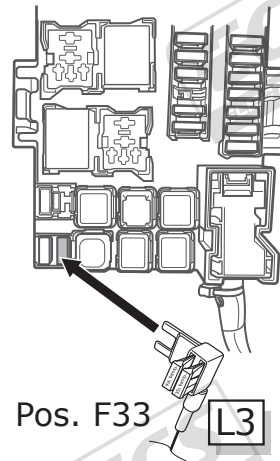
2



3



4

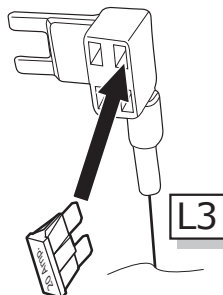


Option 2

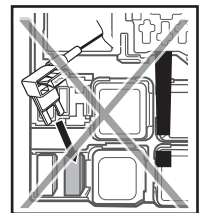
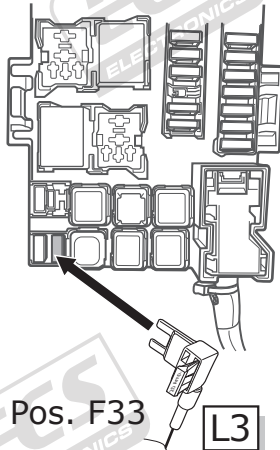
2



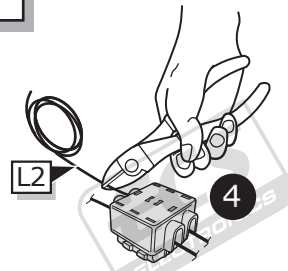
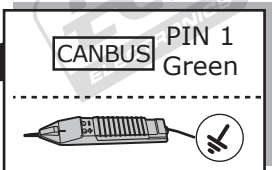
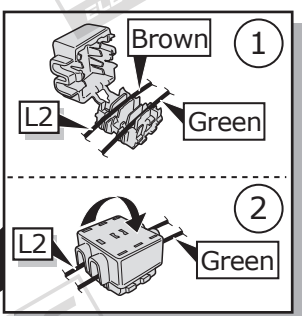
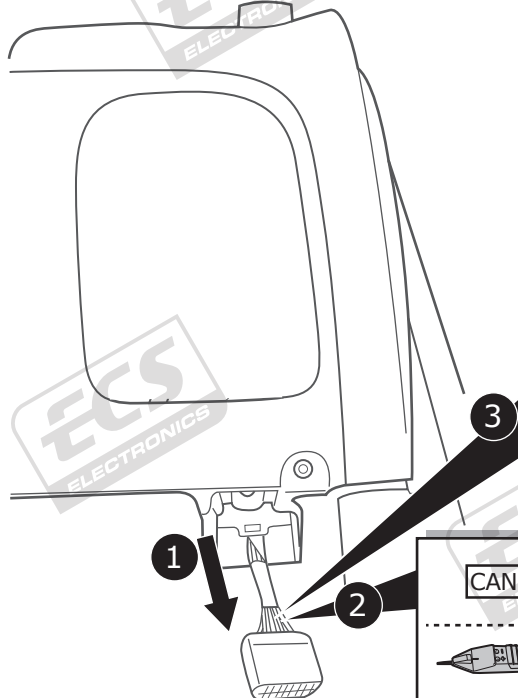
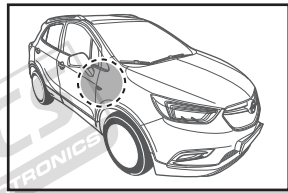
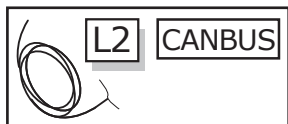
3



4



11

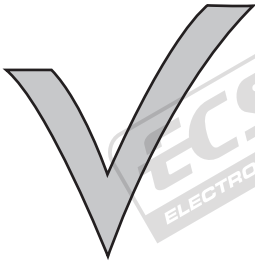
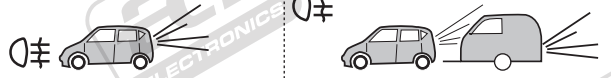
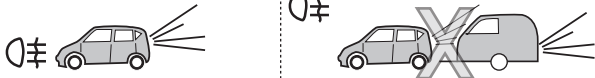


12



SP-140-ZZ

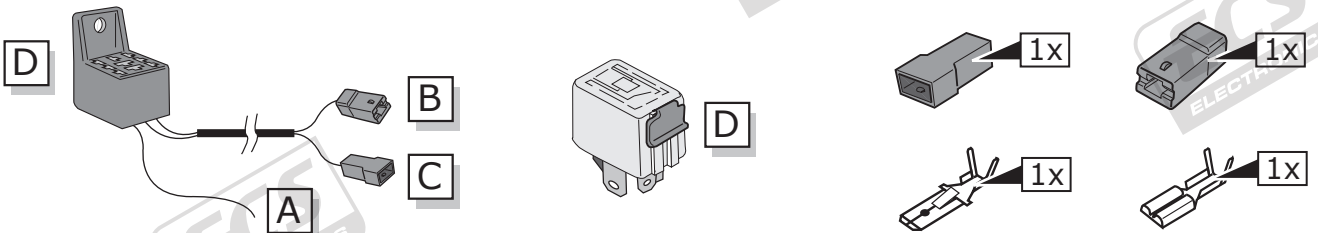
INFO



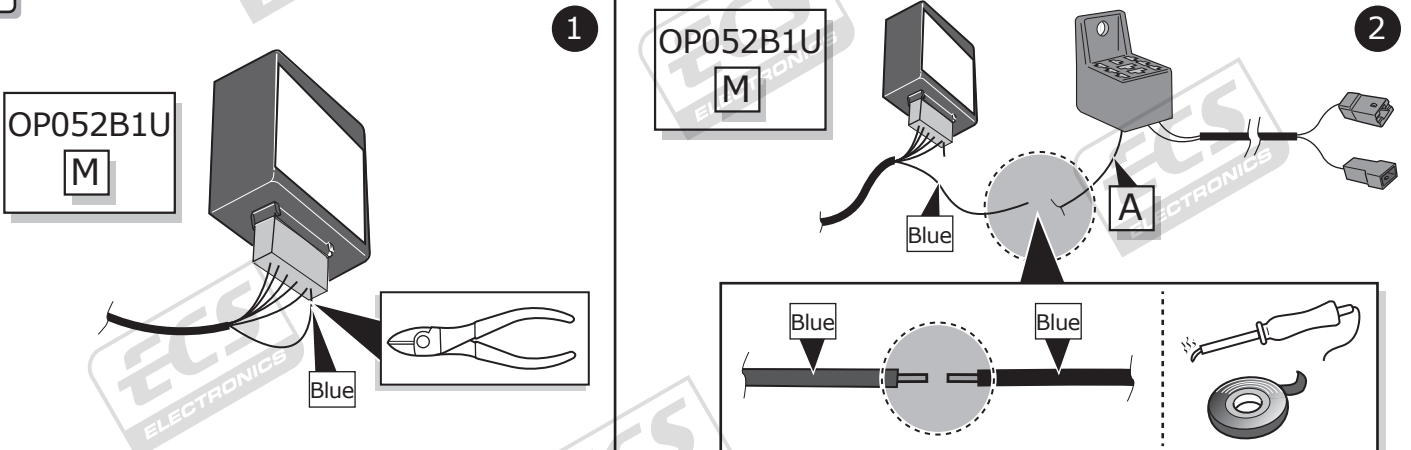
Supplier



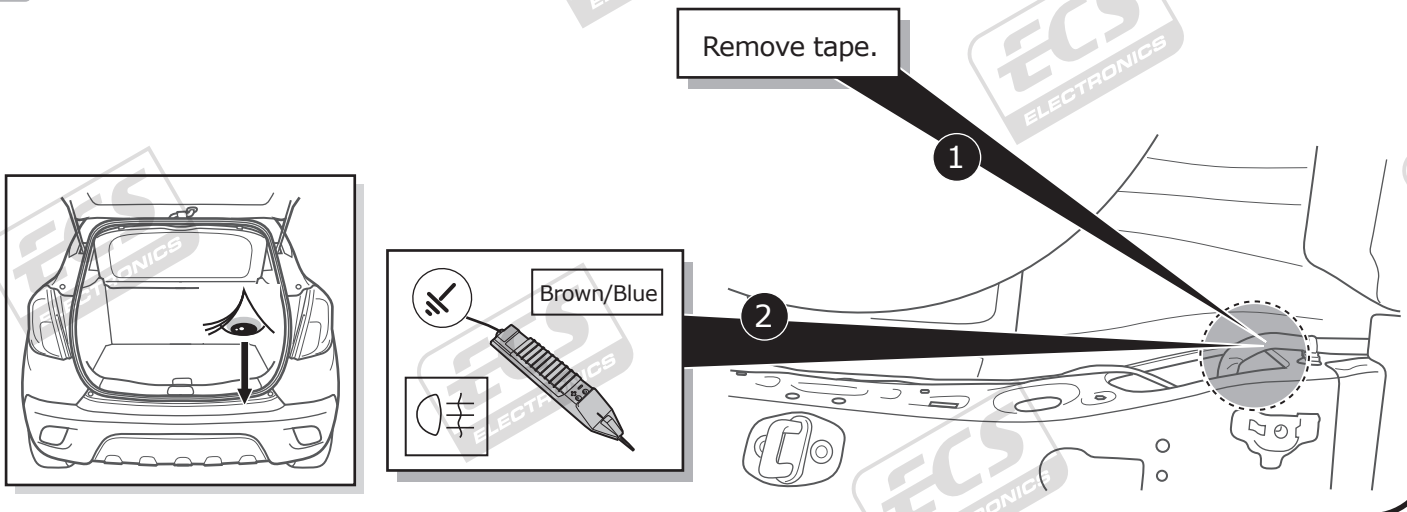
A



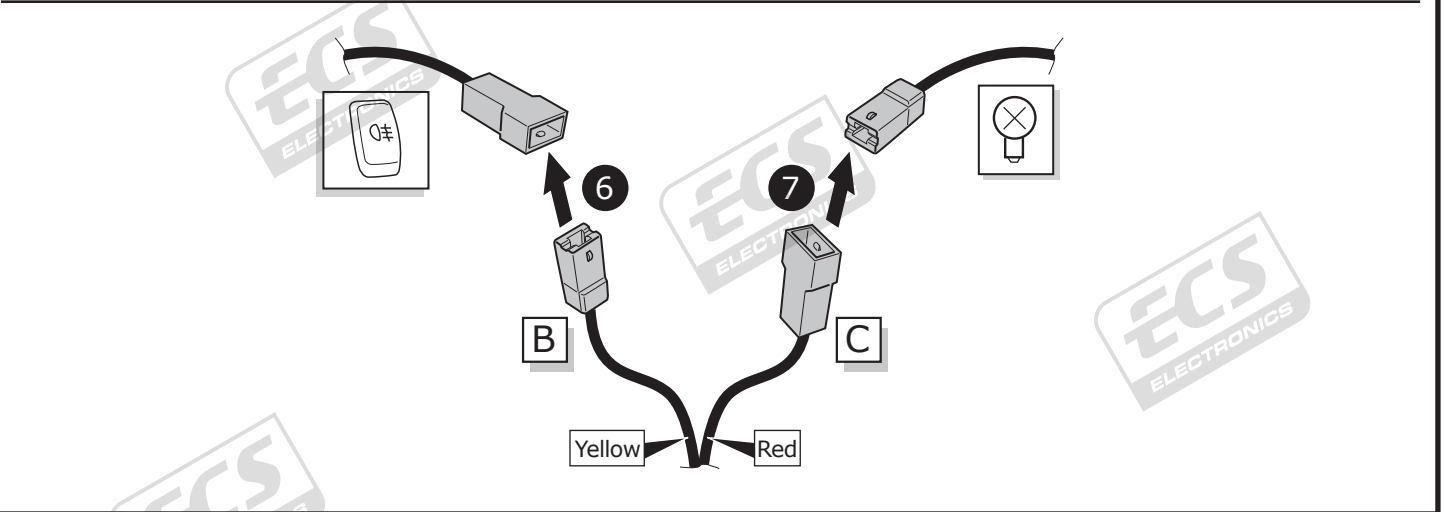
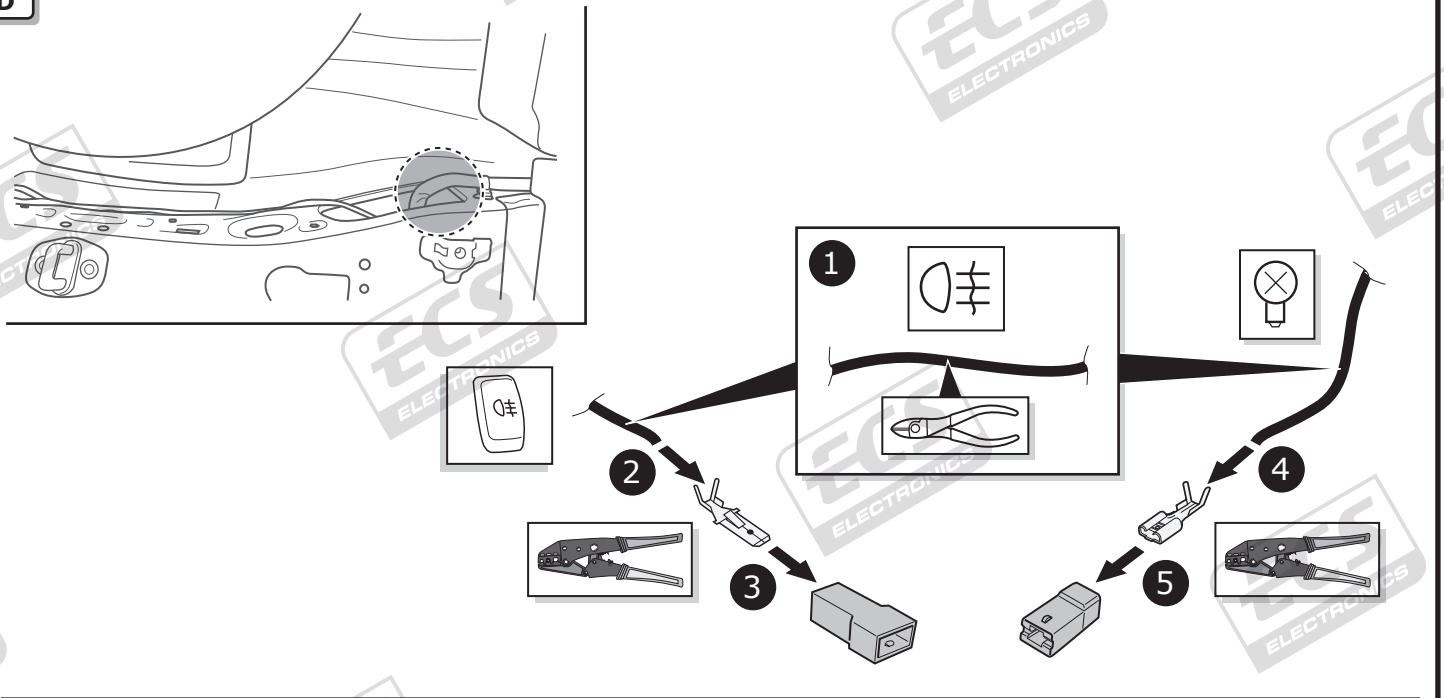
B



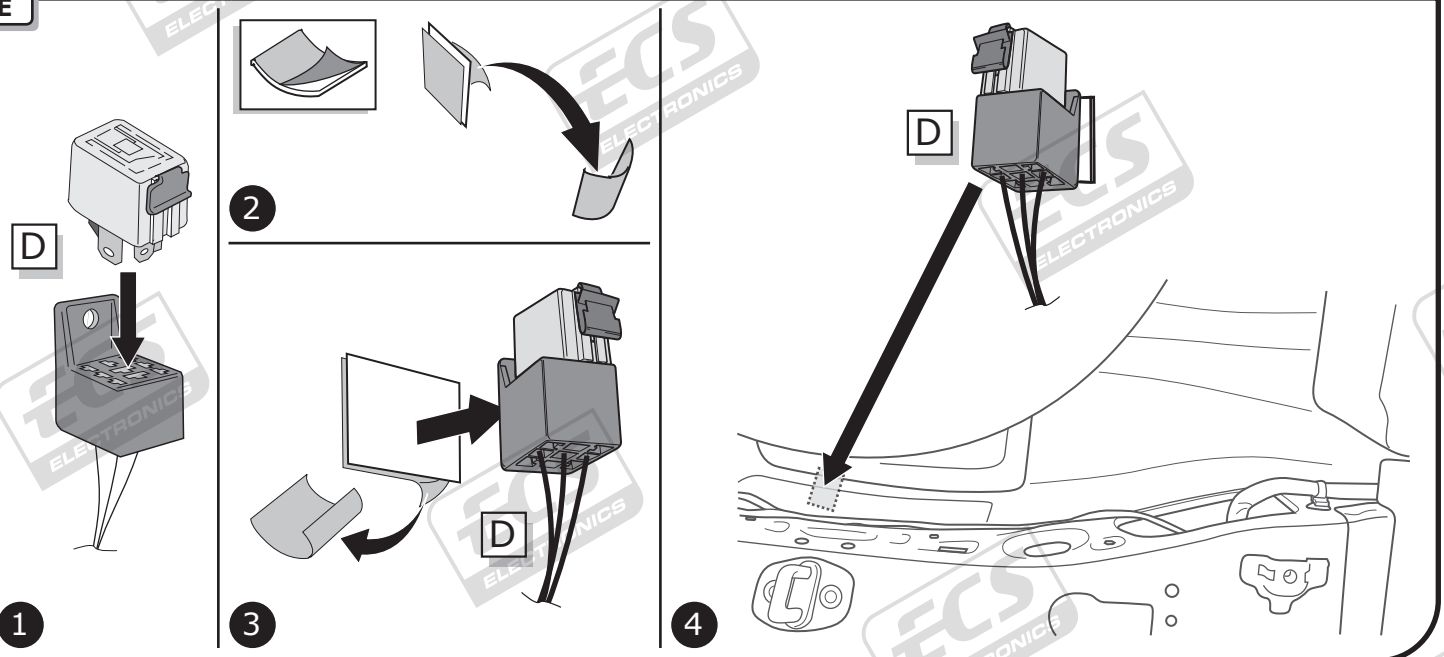
C



D



E

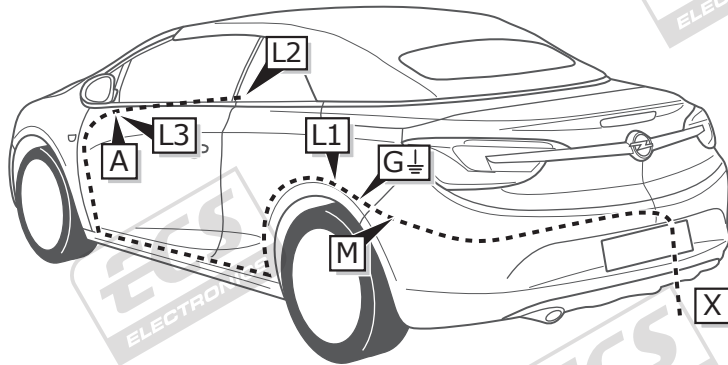


INFO

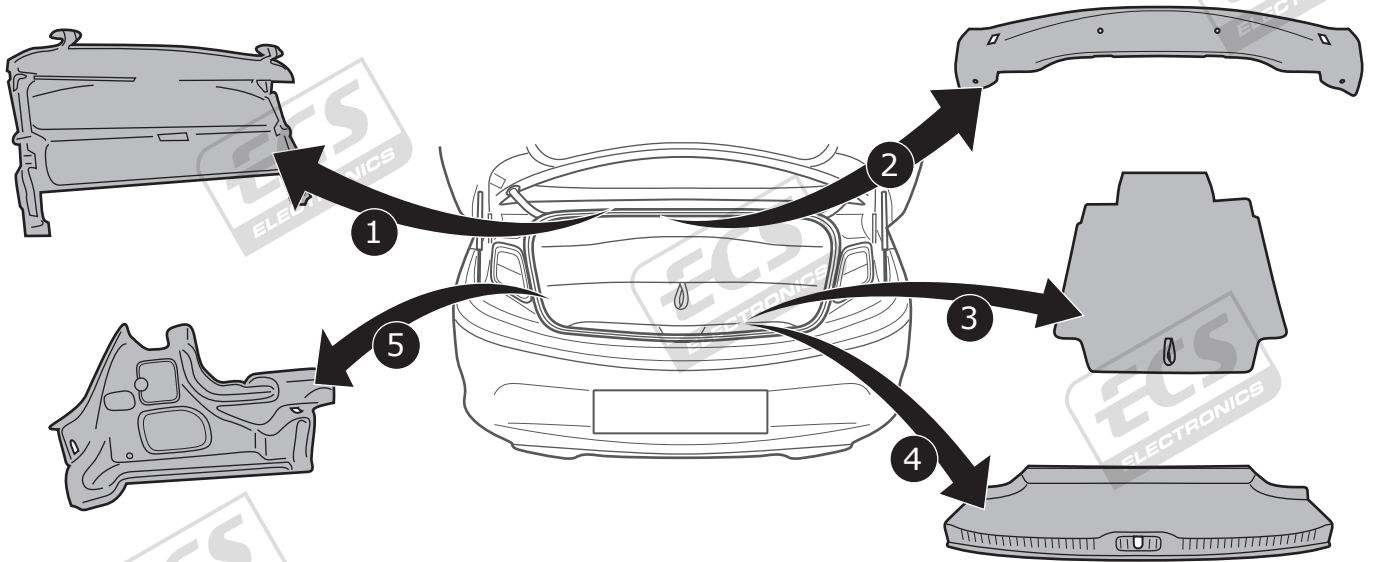
Cascada

Pag. 31

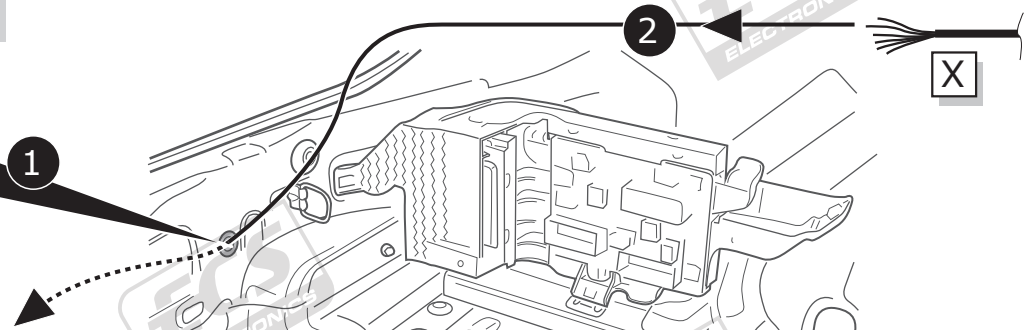
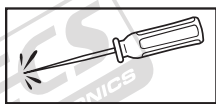
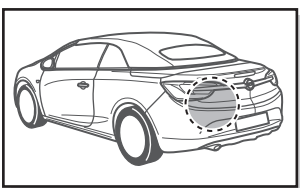
-
Pag. 34



1



2



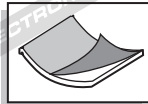
3



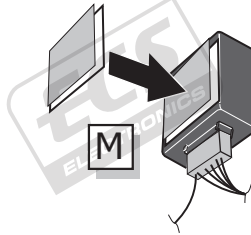
Pag. 35

4

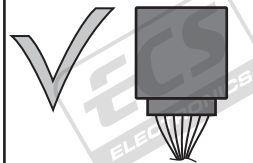
1



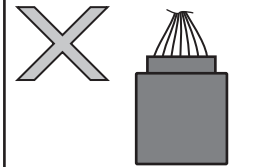
2



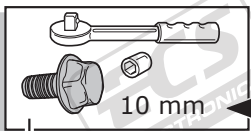
3



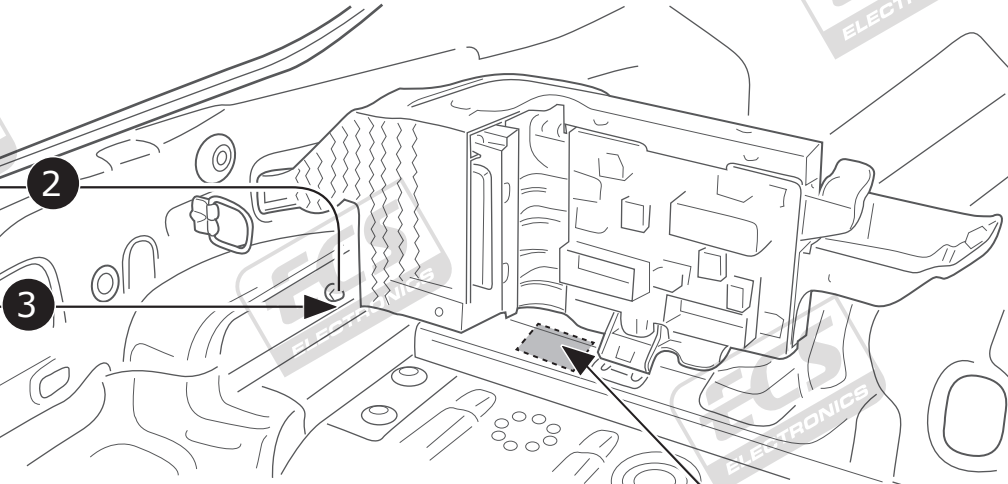
4



5



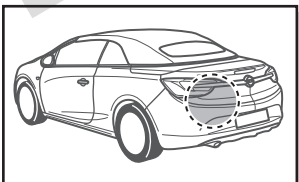
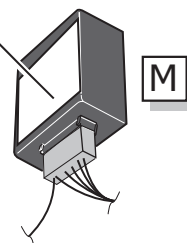
2



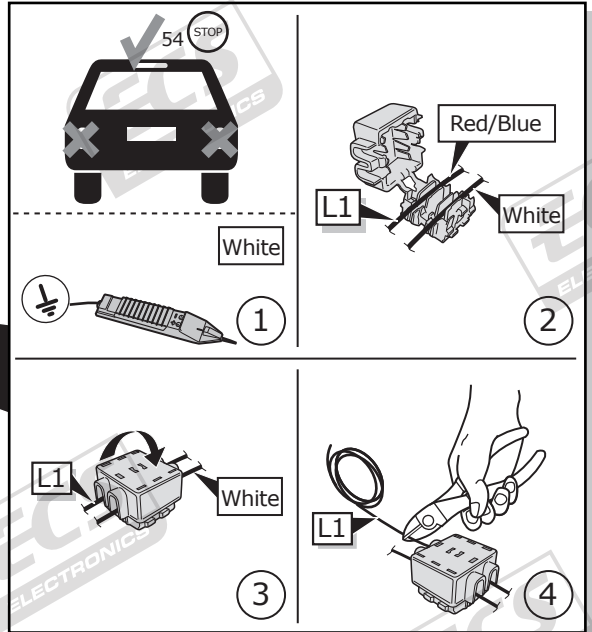
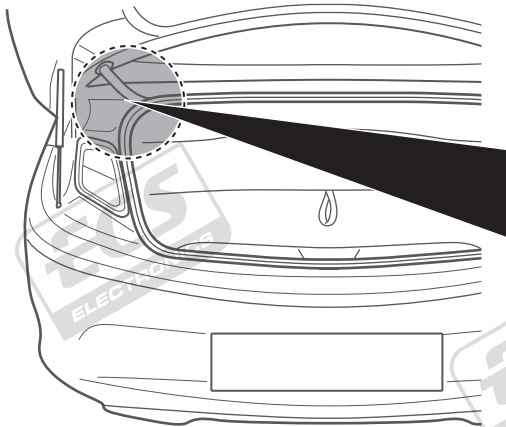
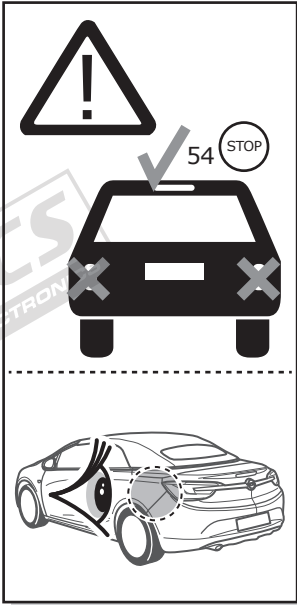
3

G

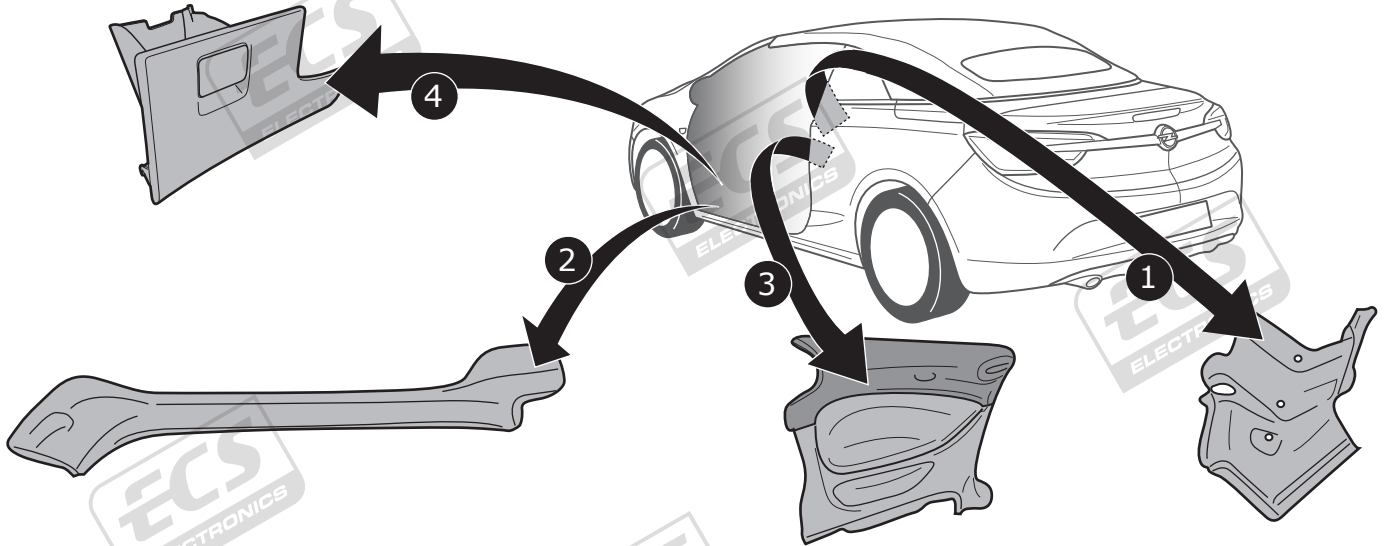
1



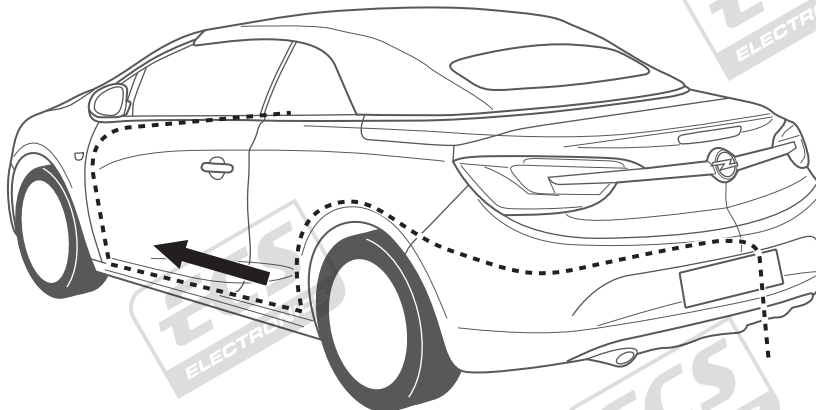
6

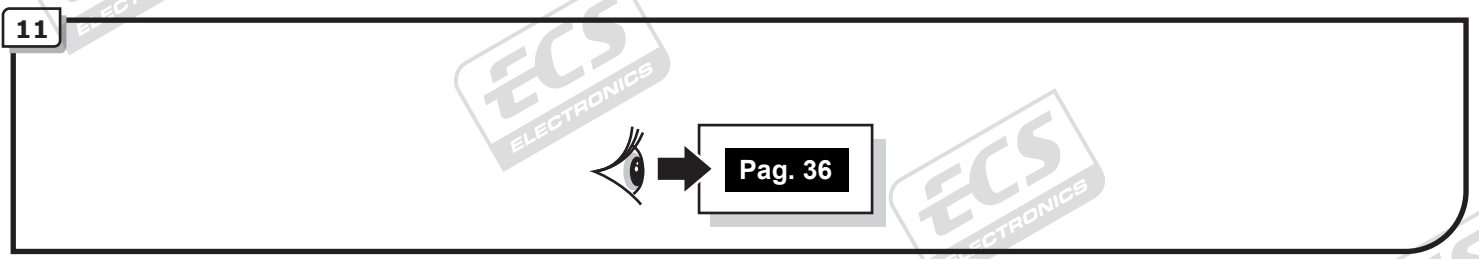
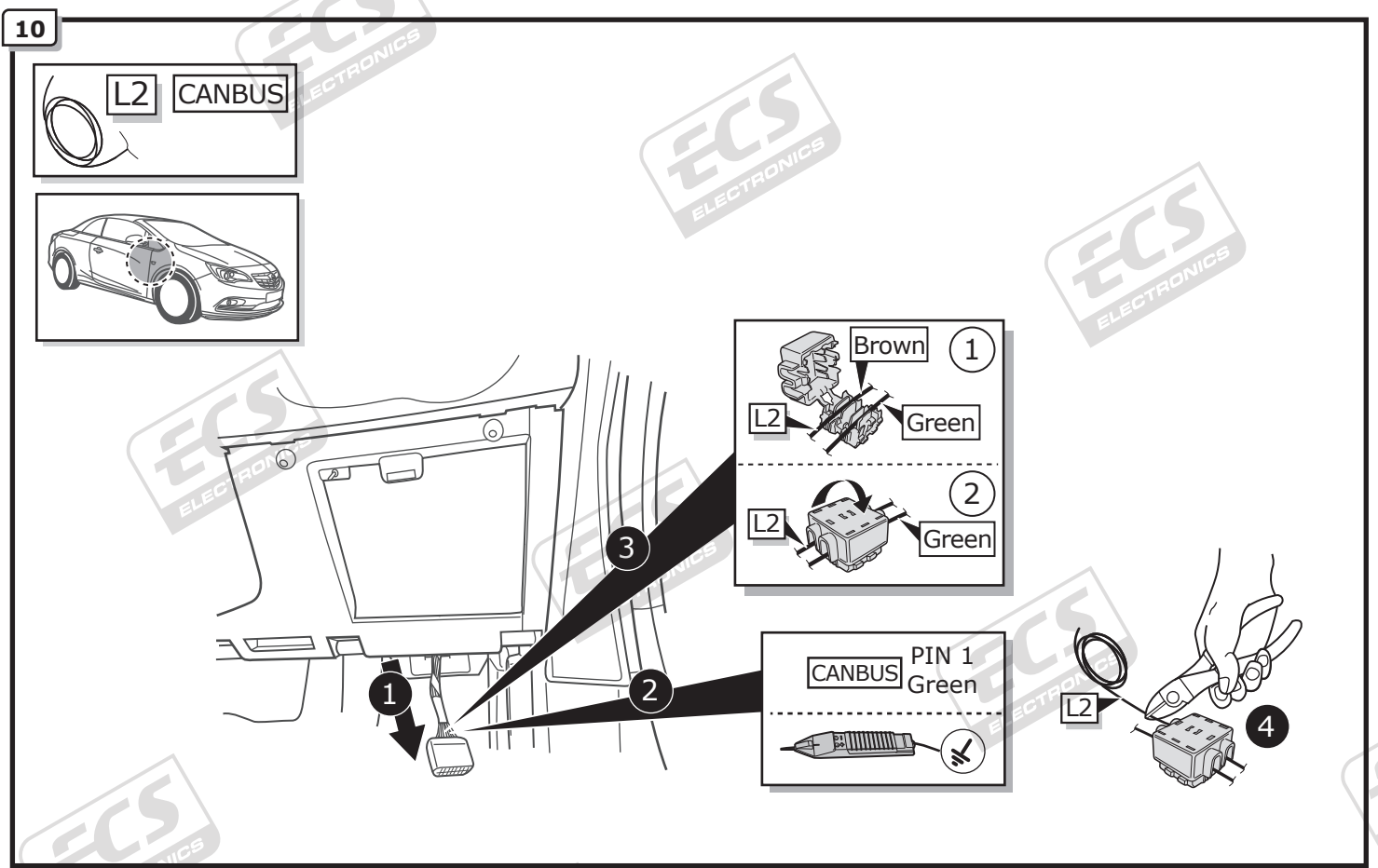
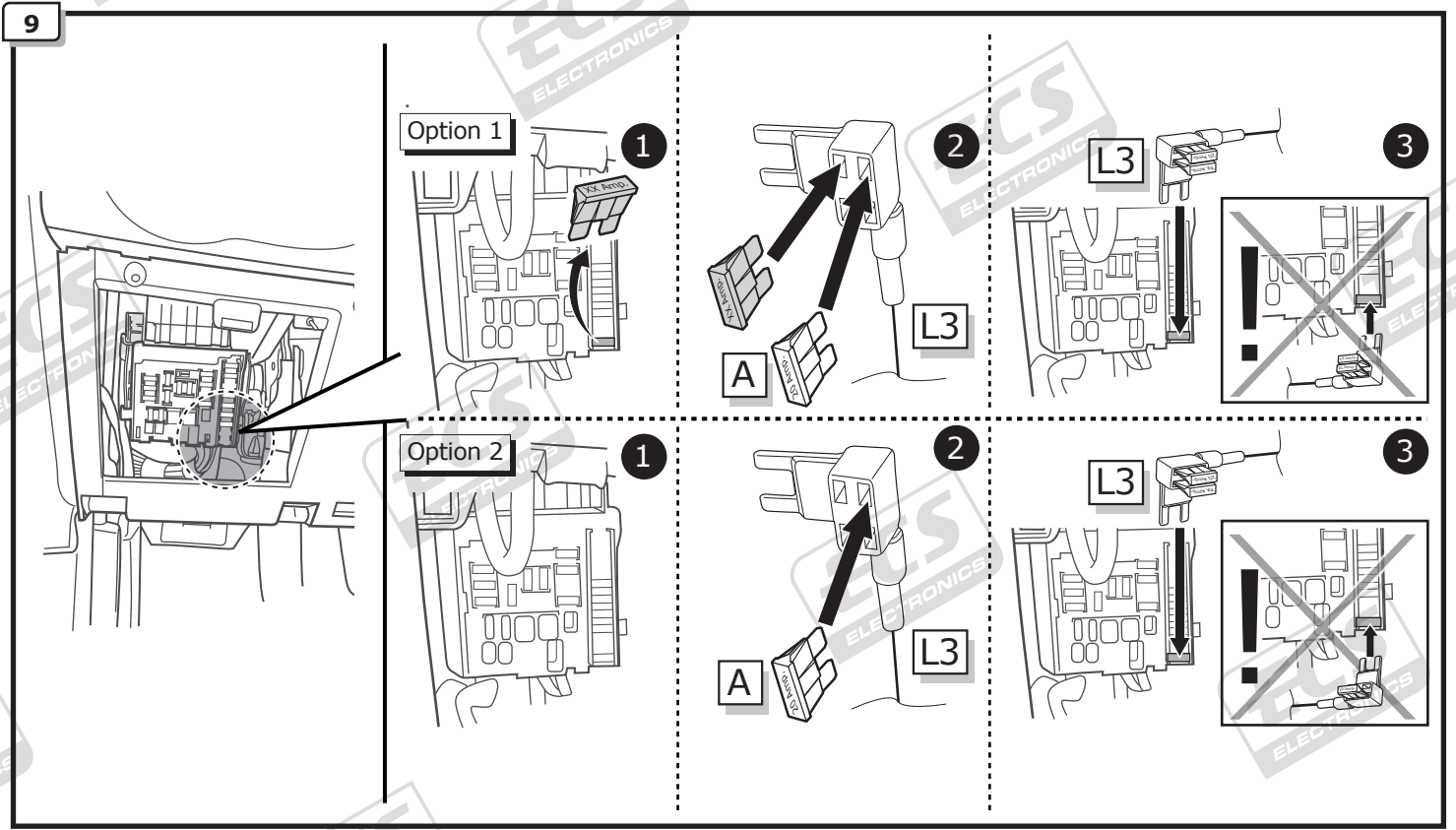


7

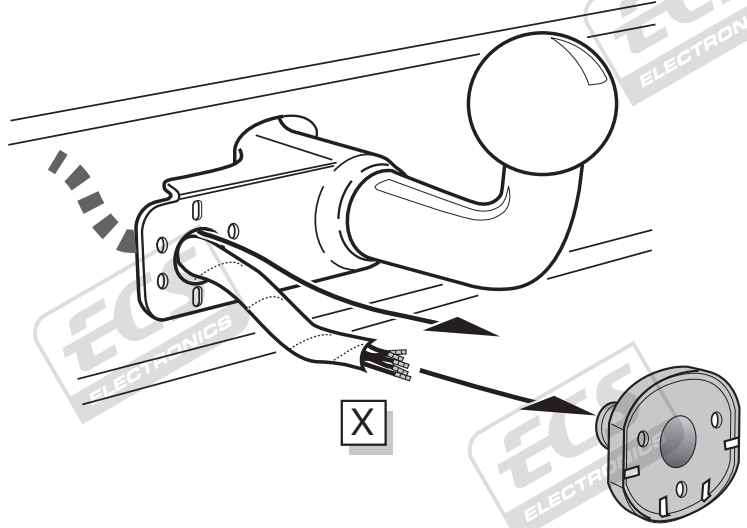


8





A



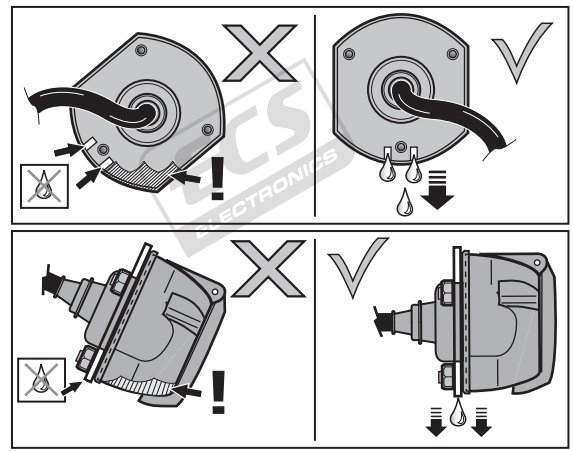
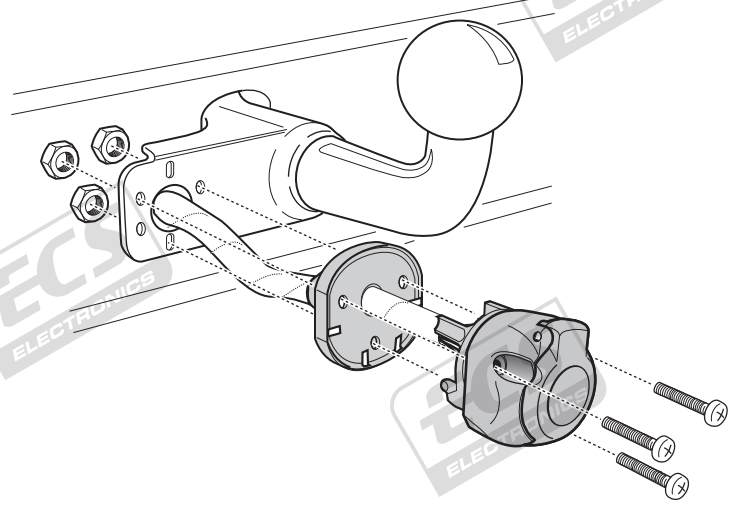
INFO

SOCKET CONNECTION

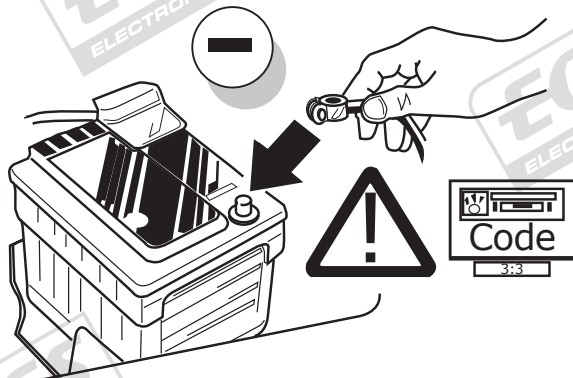


Pag. 38

B



A



B



Mokka

INFO



Pag. 29 - Pag. 30

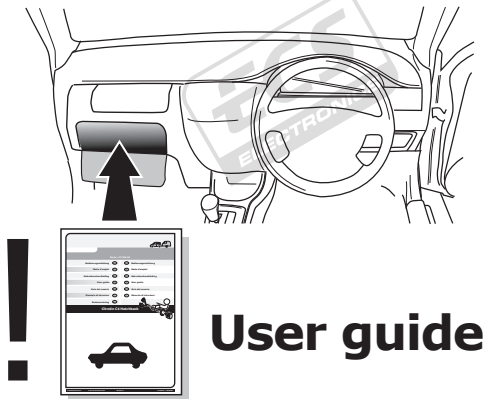
C

TEST ALL THE CIRCUITS WITH A TEST DEVICE WITH THE CORRECT POWER LOAD FOR EACH FUNCTION. A TEST DEVICE WITH LED'S CANNOT BE USED FOR THIS PURPOSE.

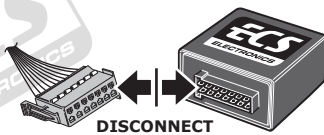
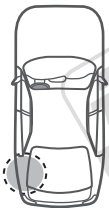
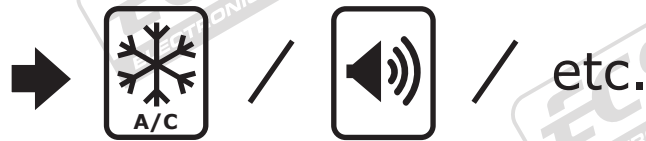
INFO

REINSTALL TRIM.

D



INFO



1



2

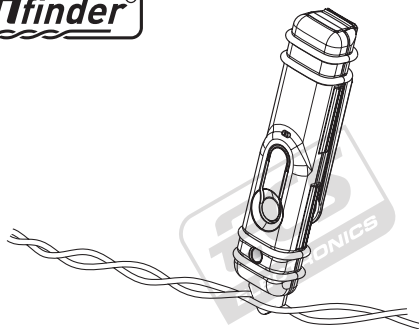


3

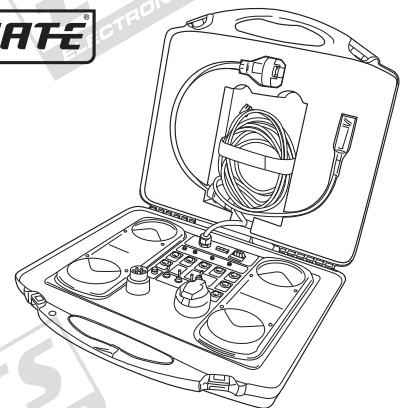
INFO

Products & Service

CANfinder®



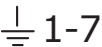






LIGHT MATE®



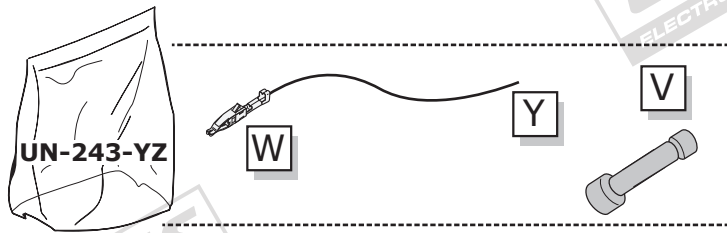
http://www.ecs-electronics.nl/NL/catalogus/test_gereedschap

SOCKET CONNECTION

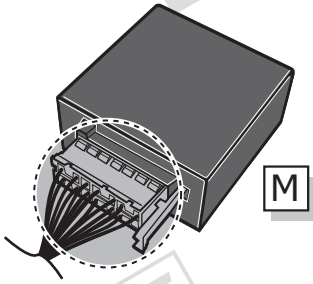
DIN/ISO 1724							
	1/L	2	3/31	4/R	5/58-R	6/54	7/58-L
Pmax	21W	21W		21W	42W	3x21W	42W
Colour	Yellow	Blue	White	Green	Brown	Red	Black

UN-243-YZ Reverse lamp pre-wire extension

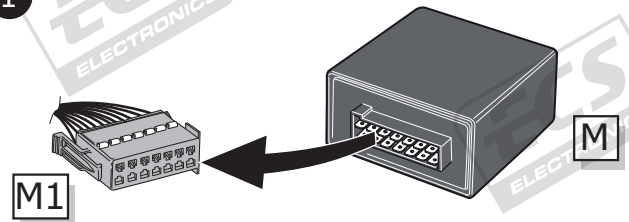
⚠ MAX = 21W



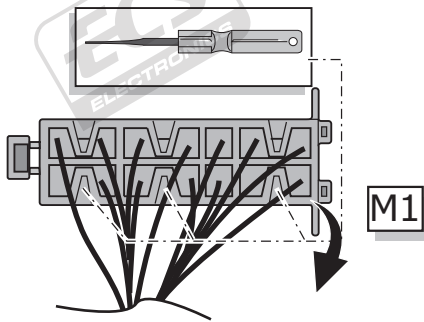
A



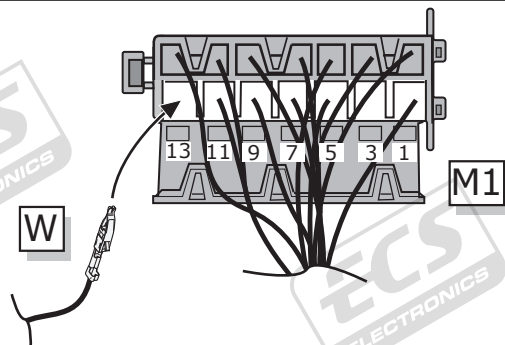
1



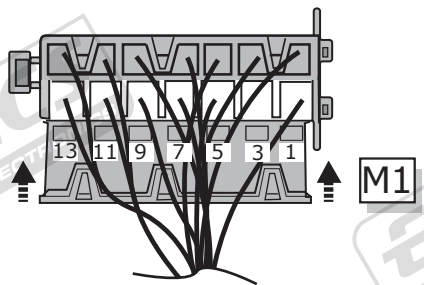
2



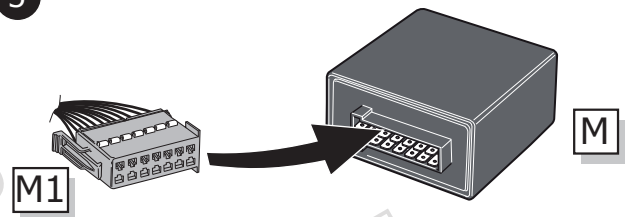
3



4



5



B

⚠ MAX = 21W

