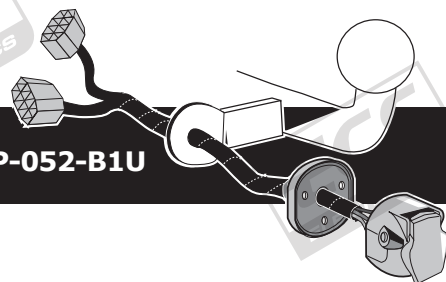




## OPEL

Astra J Hatchback	12/2009 >>
Astra J Station Wagon	12/2010 >>
Astra Station Wagon	2012 >>
Astra Sedan	2012 >>
Astra GTC	2011 >>
Corsa E	09/2014 >> 10/2019

Partnr.: OP-052-B1U



- Fitting instructions electric wiring kit tow bar with 12-N socket up to DIN/ISO Norm 1724.
- We would expressly point out that assembly not carried out properly by a competent installer will result in cancellation of any right to damage compensation, in particular those arising by virtue of the product liability act.
- Contents of these kits and their fitting manuals are subject to alteration without notice, please ensure that these instructions are read and fully understood before commencing installation.
- Do not overload circuits; the maximum loads per connection are detailed in this manual.
- Attention! Before Installation, please read this manual carefully and inform your customer to consult the vehicle owners manual to check for any vehicle modifications required before towing.
- In the event of functional problems, troubleshooting must be limited to about 0.5 hours, contact the technical support:  
t.skinner@ecs-electronics.com / 07440 202 052.

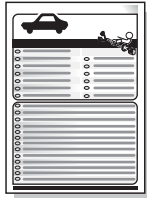
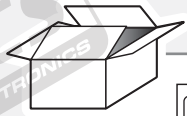
**TECHNICAL SUPPORT**

**CALL**  
**07440**  
**202**  
**052**

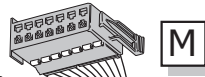
**ECS ELECTRONICS**

MONDAY TO FRIDAY  
08.00 - 11.00 am  
12.00 - 05.00 pm  
t.skinner@ecs-electronics.com  
www.ecs-electronicsuk.co.uk

# Part list



L1



M

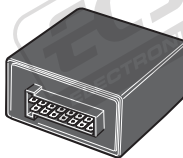
L3

L2



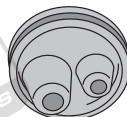
G

X

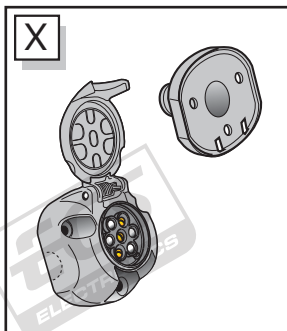


M

1x

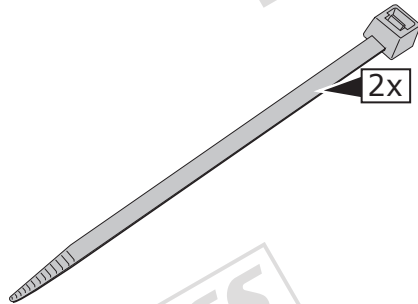


T



X

2x



UN-243-YZ

Optional reverse lamp pre-wire extension included



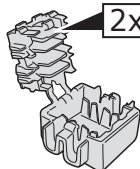
Pag. 27



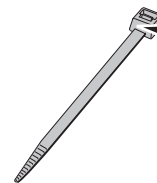
3x



2x



6x



3x



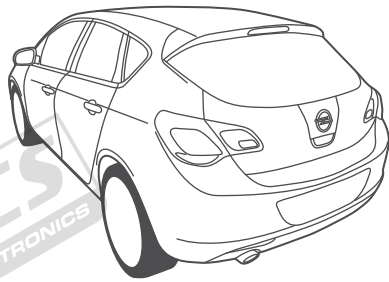
1x



A

20 Amp. minifuse

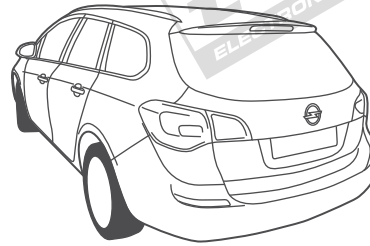
**INFO**



**Astra HB**

Pag. 4

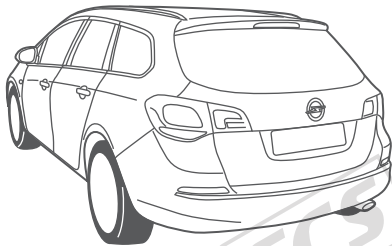
-  
Pag. 6



**Astra ST  
-2012**

Pag. 7

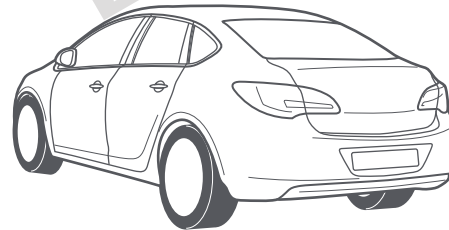
-  
Pag. 9



**Astra ST  
2012-**

Pag. 10

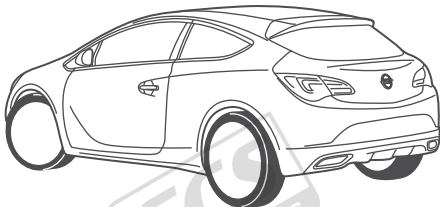
-  
Pag. 12



**Astra SD**

Pag. 13

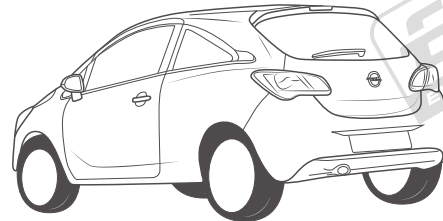
-  
Pag. 15



**Astra GTC**

Pag. 16

-  
Pag. 17

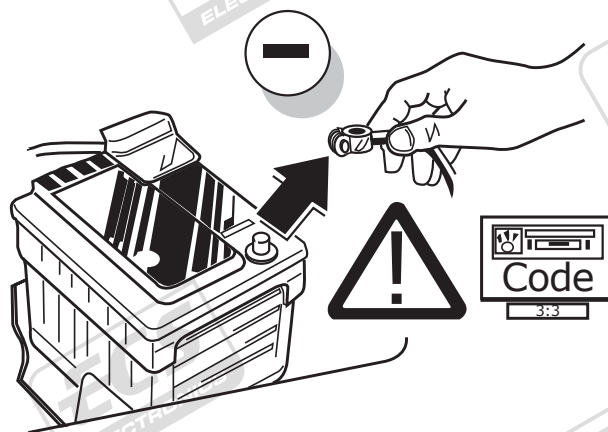


**Corsa E**

Pag. 18

-  
Pag. 22

**INFO**

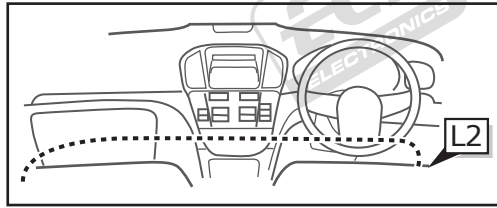
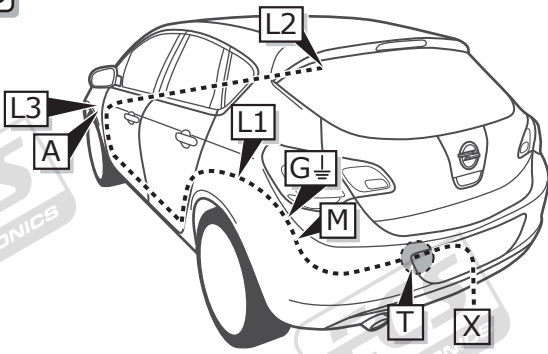


INFO

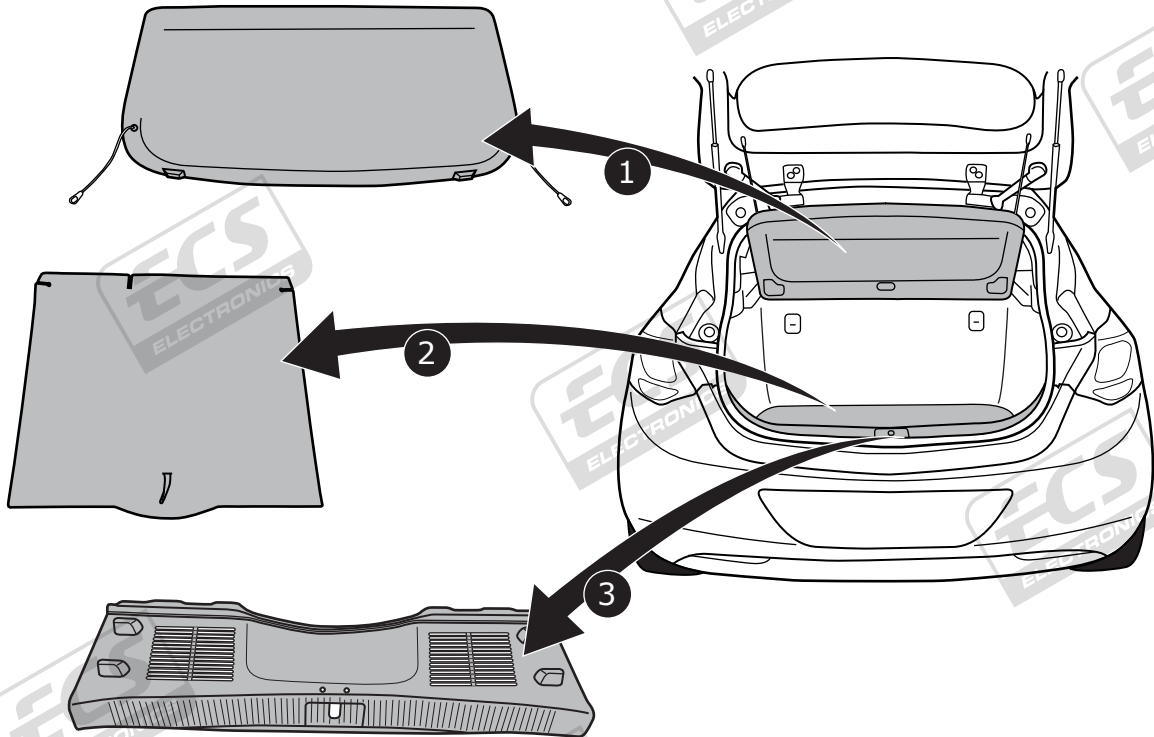
Astra HB

Pag. 4

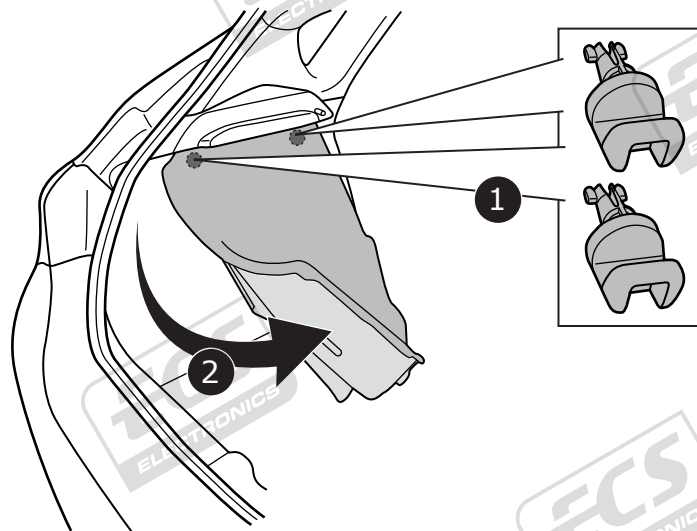
-  
Pag. 6



1

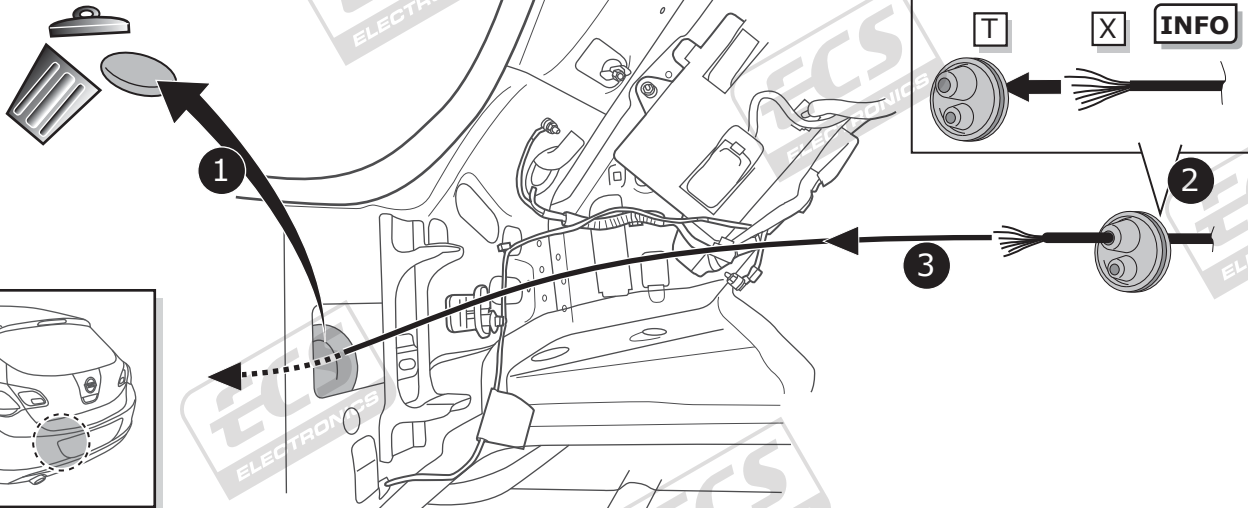
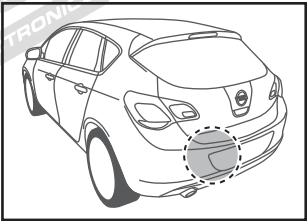


2

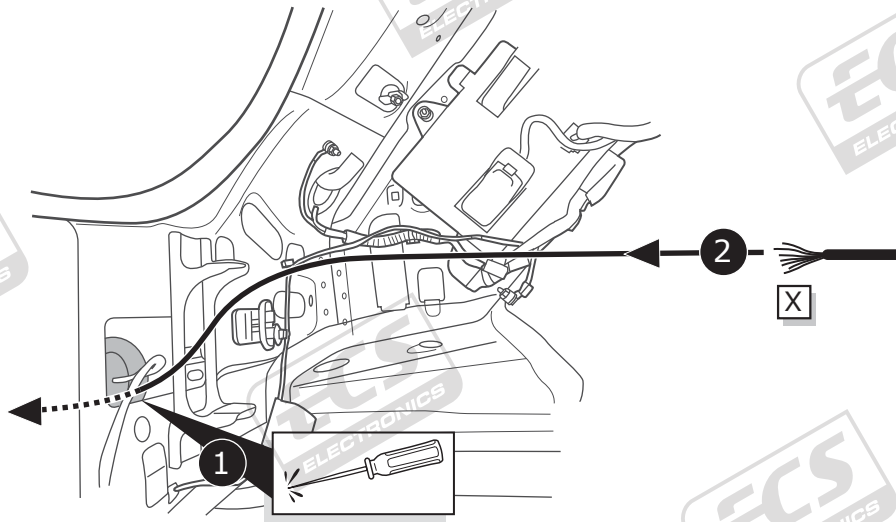
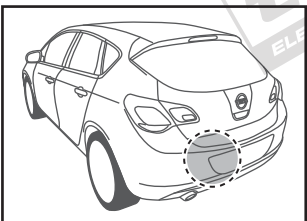


3

Option 1



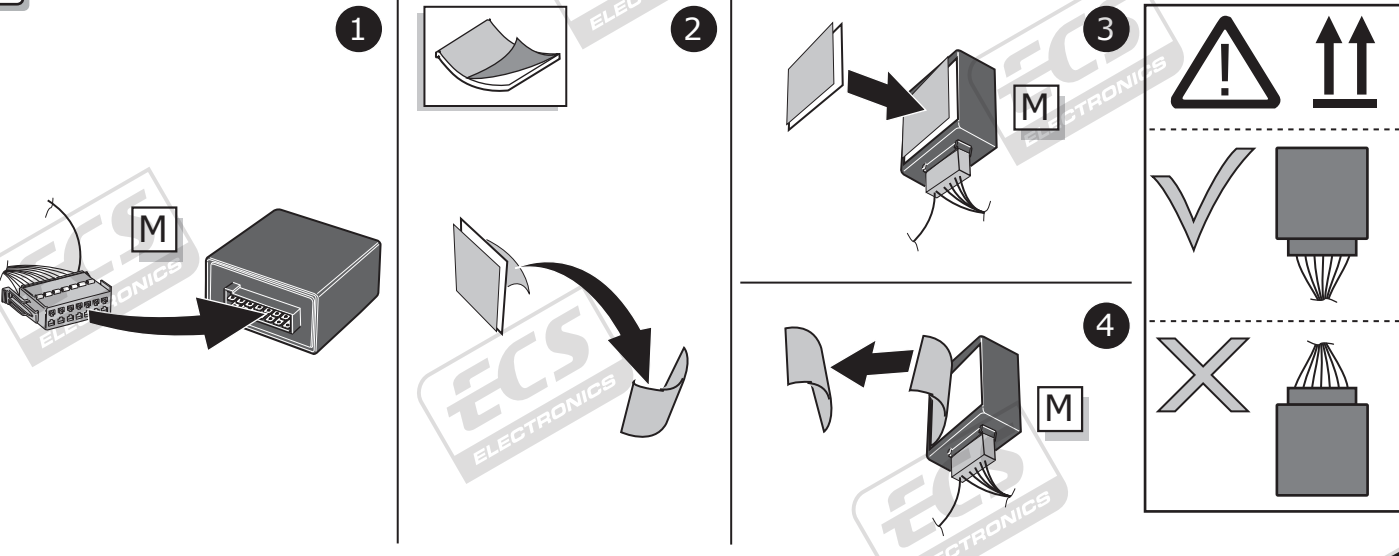
Option 2



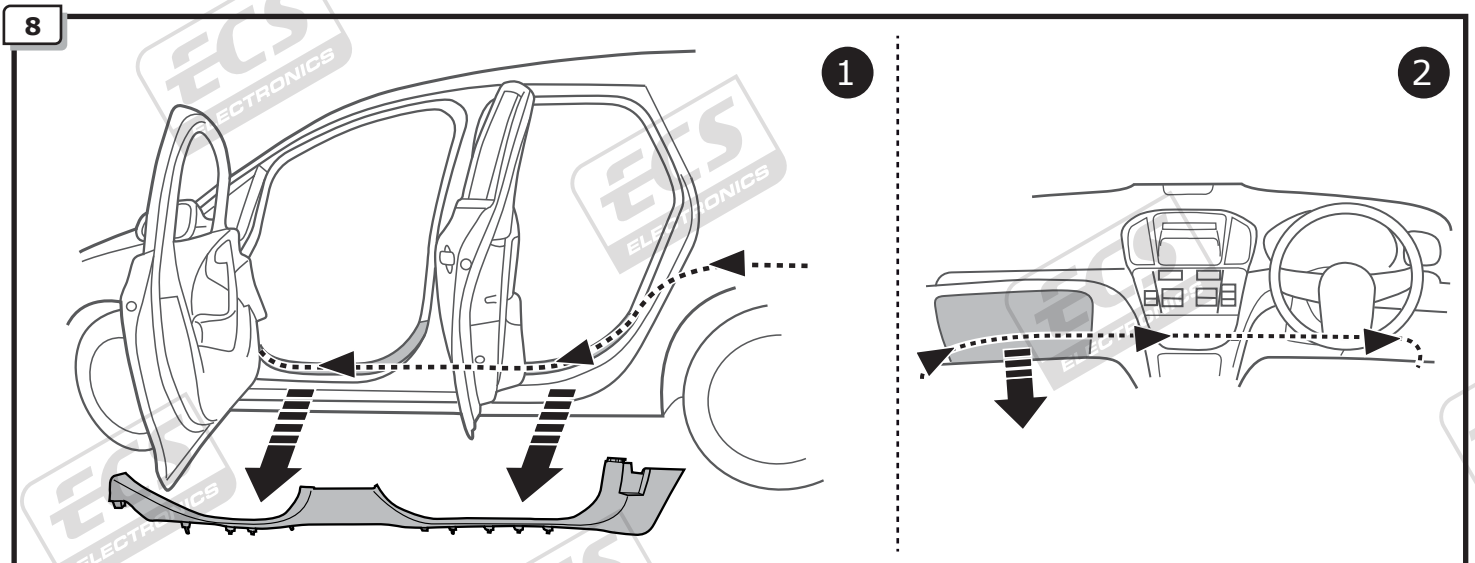
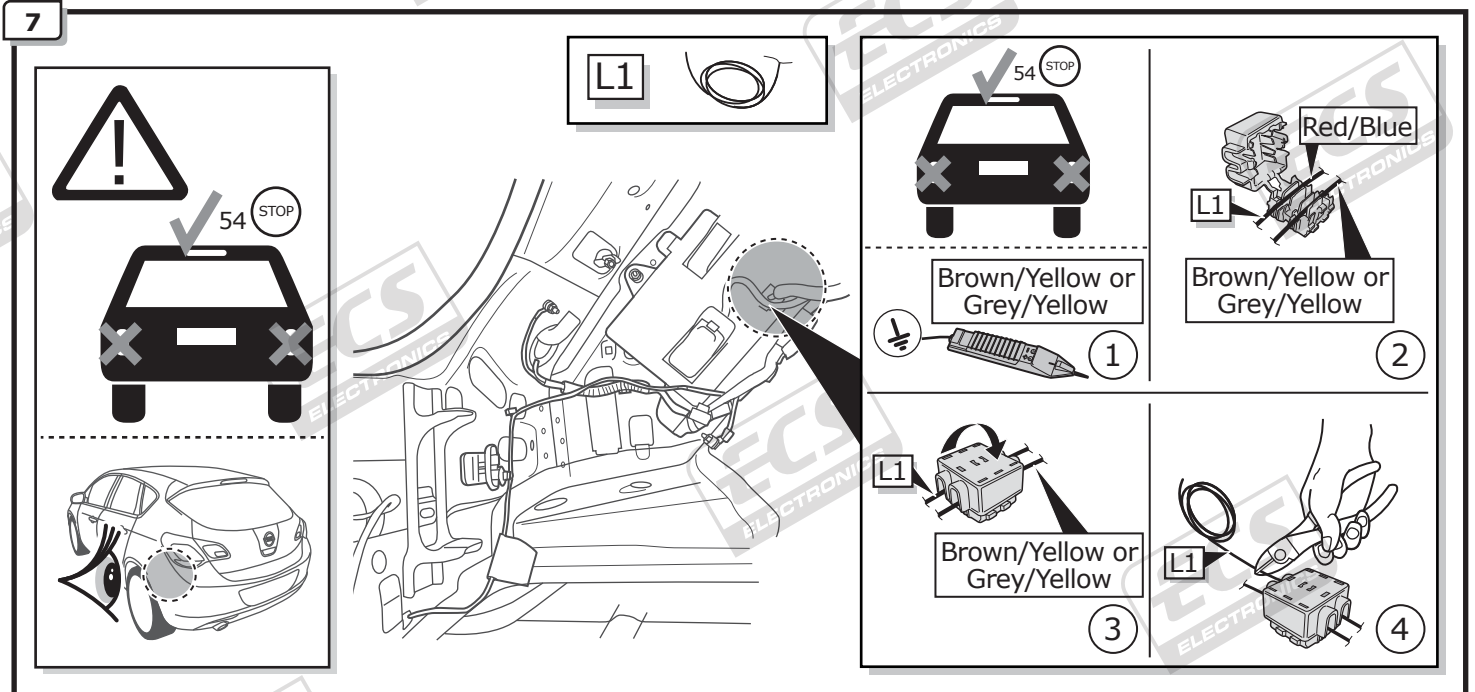
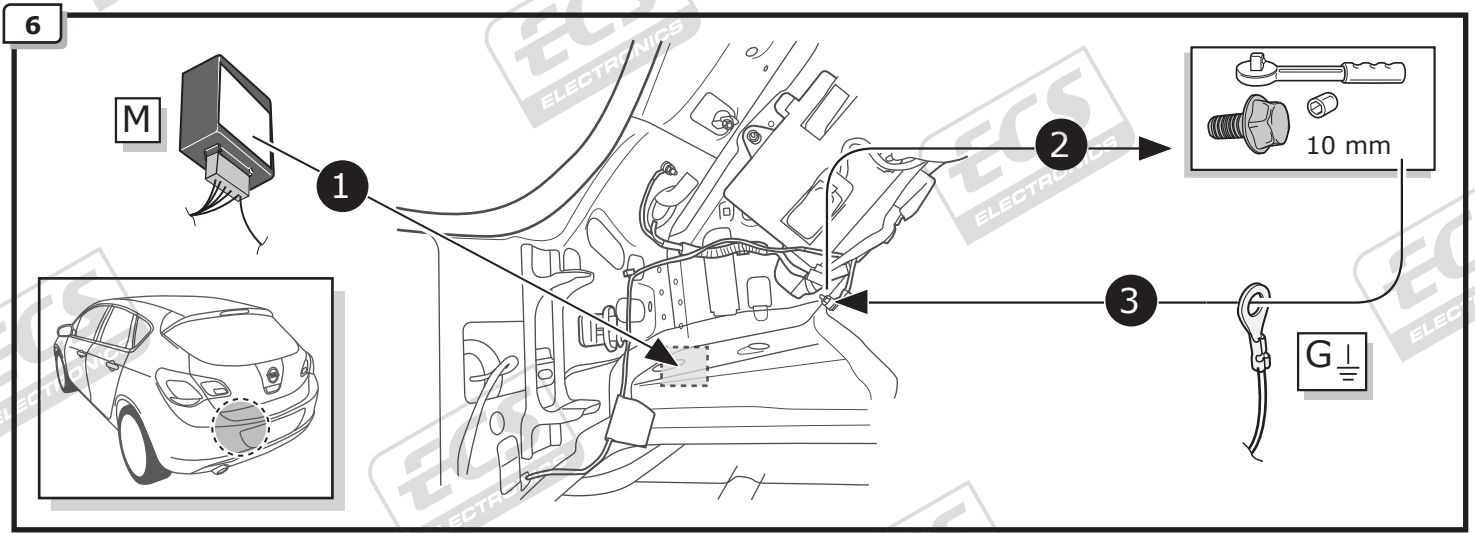
4



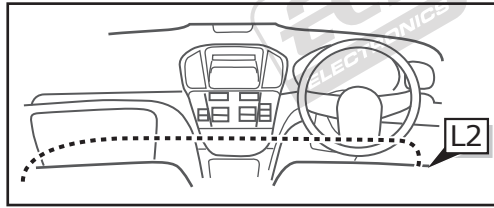
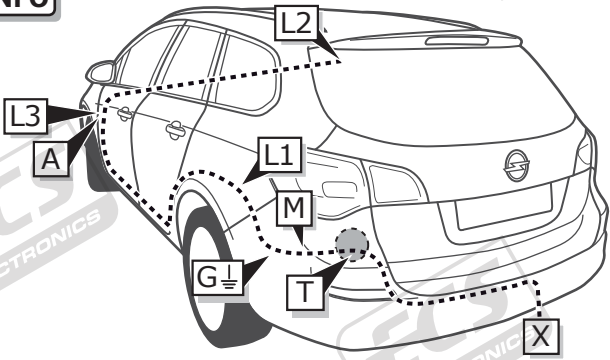
5







INFO

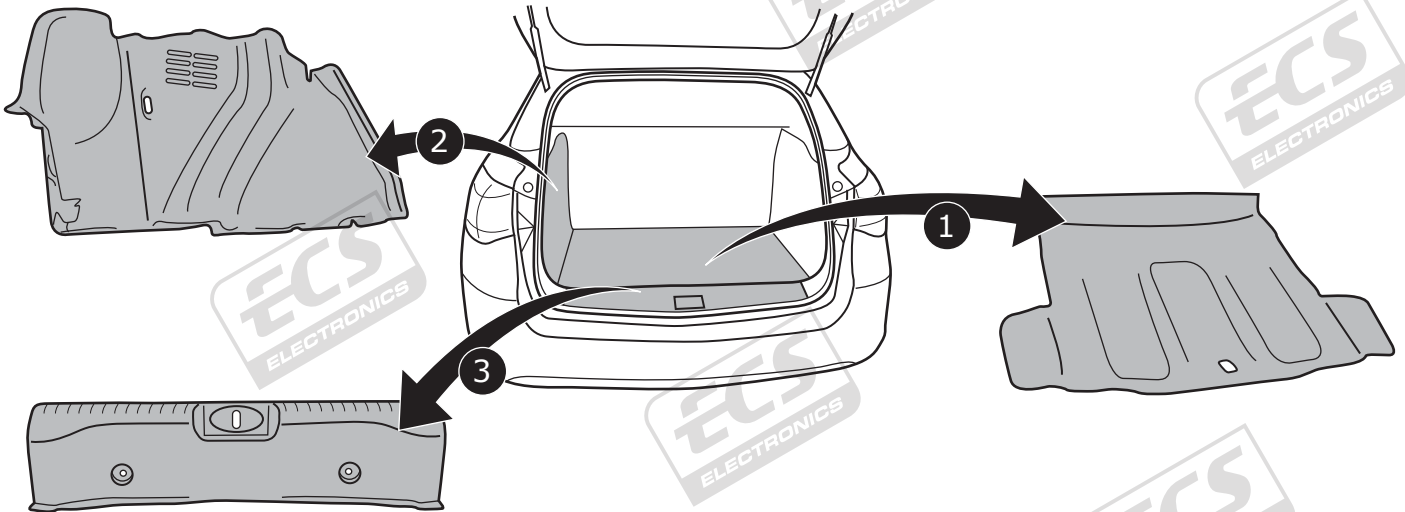


Astra ST  
-2012

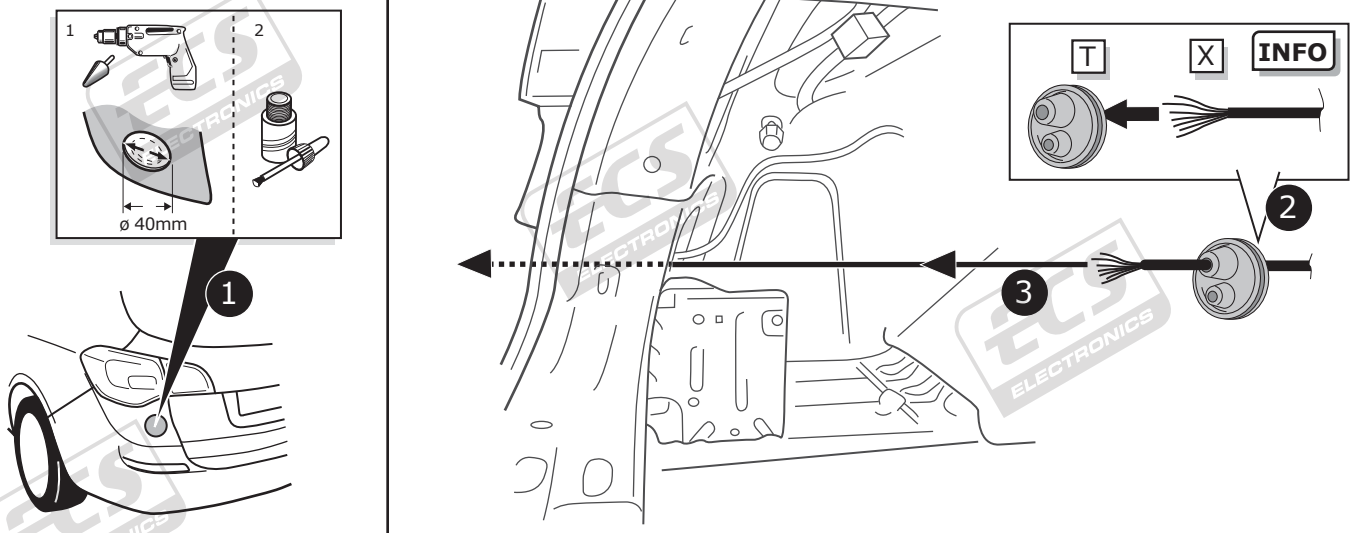
Pag. 7

Pag. 9

1

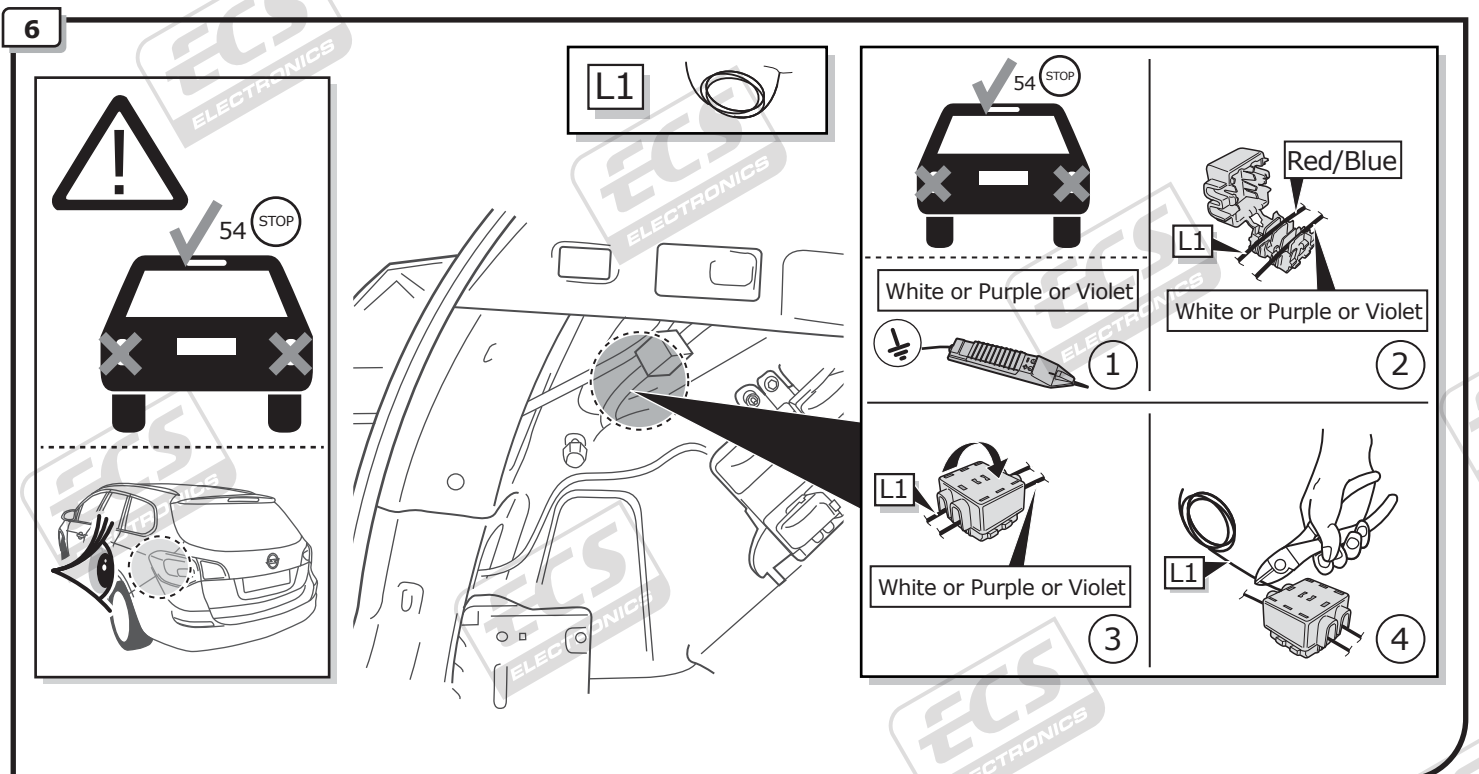
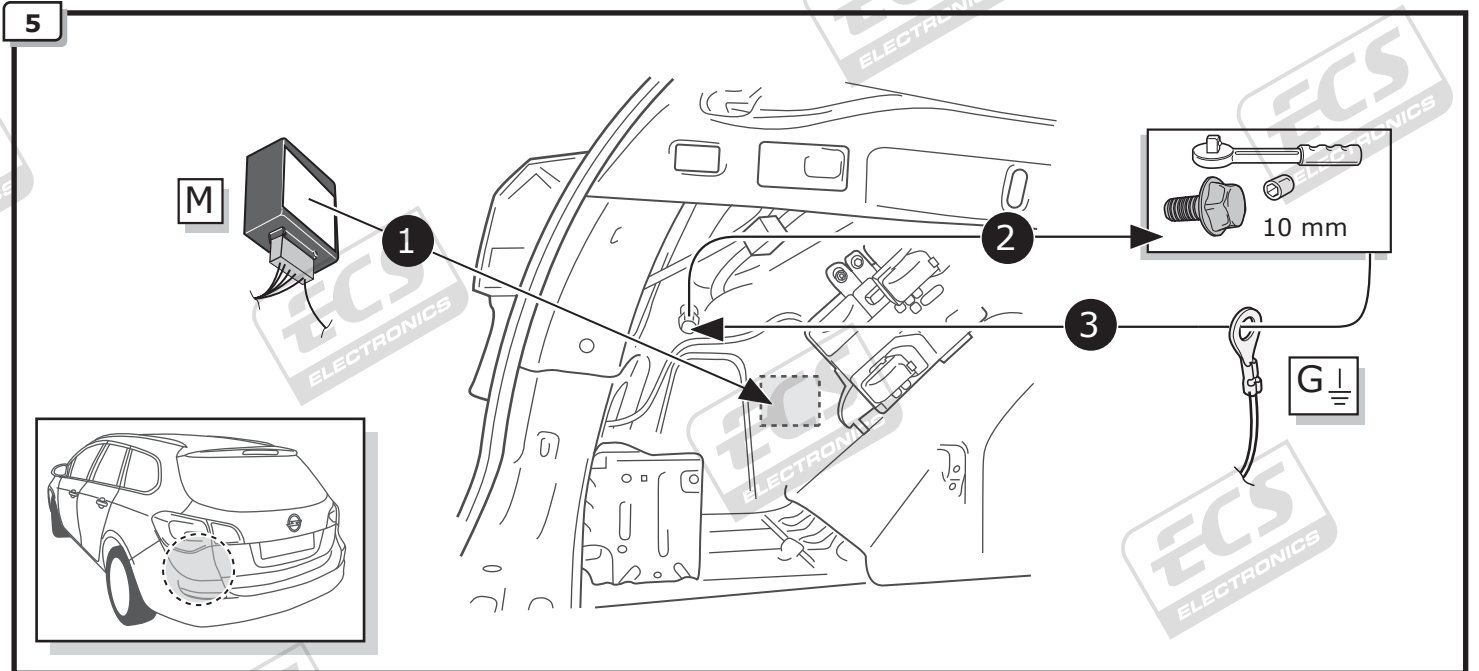
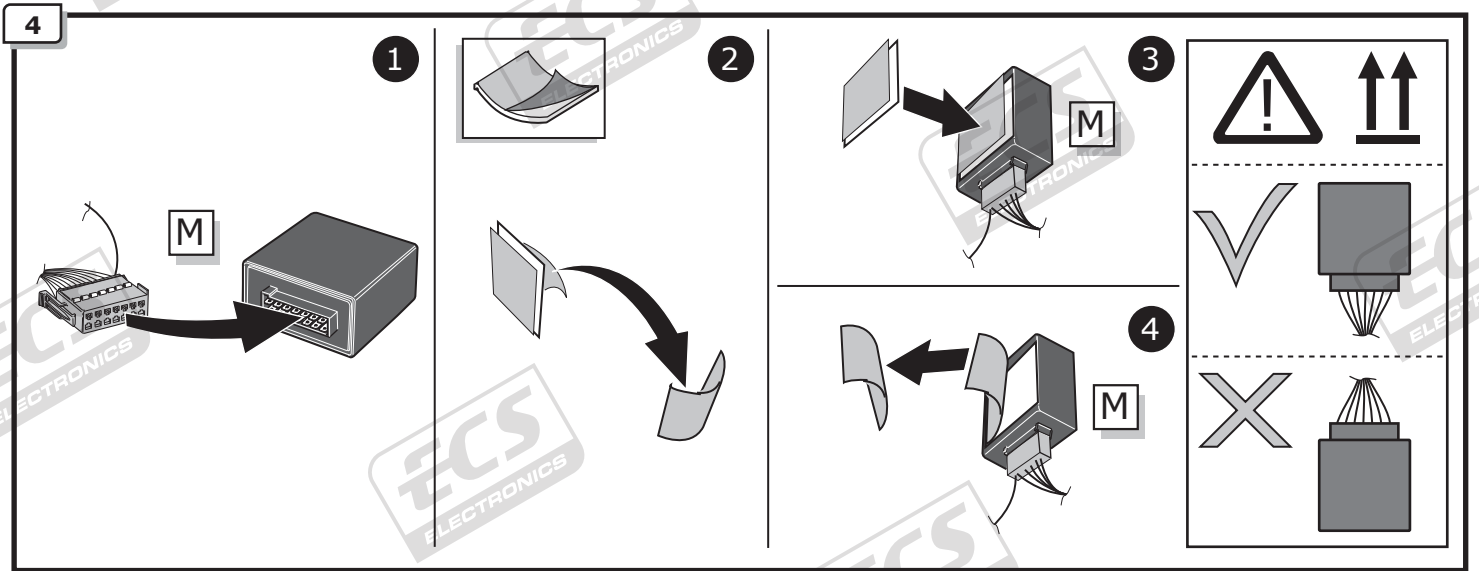


2



3



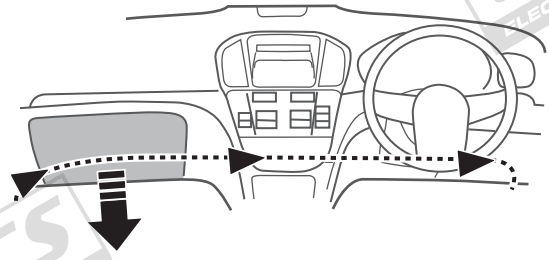
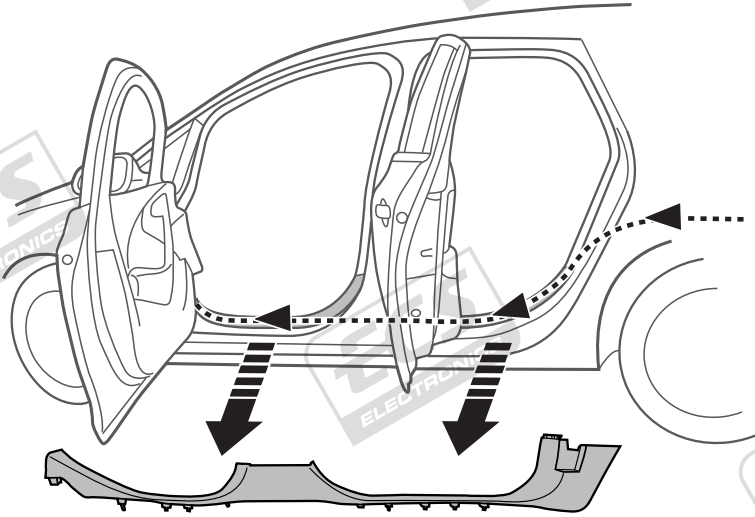




7

1

2

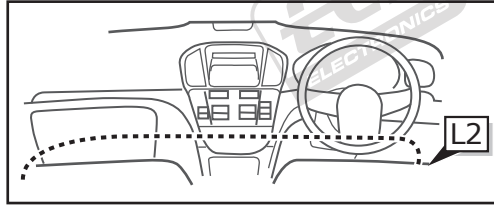
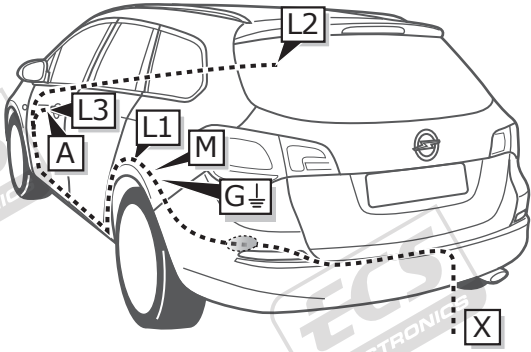


8



Pag. 23 - Pag. 24

INFO

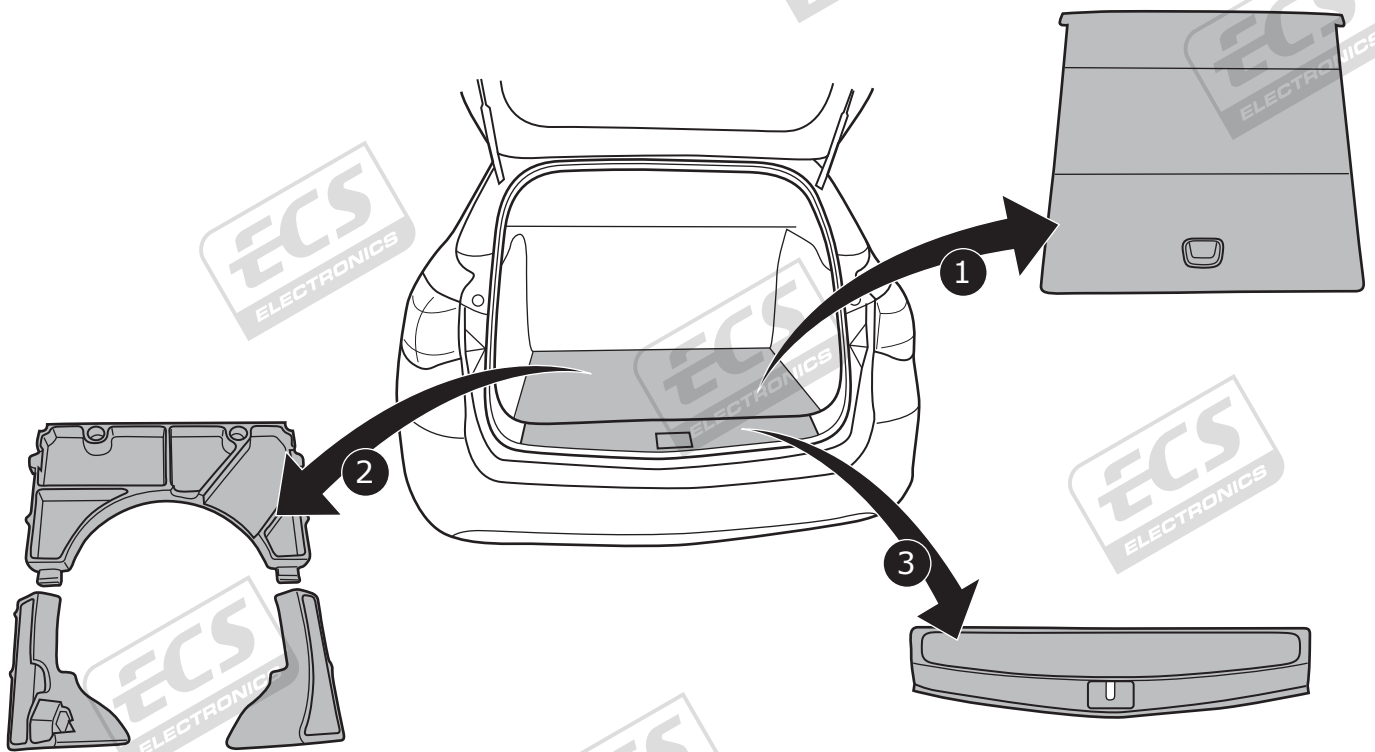


**Astra ST  
2012-**

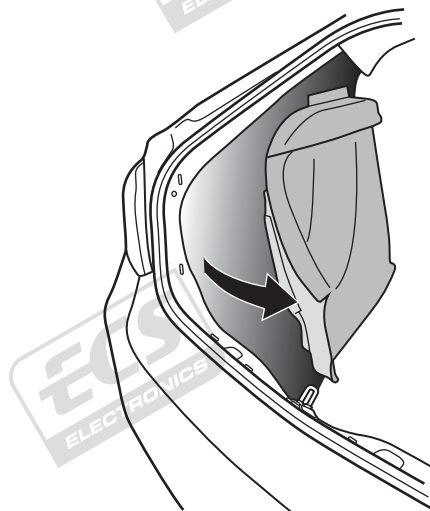
Pag. 10

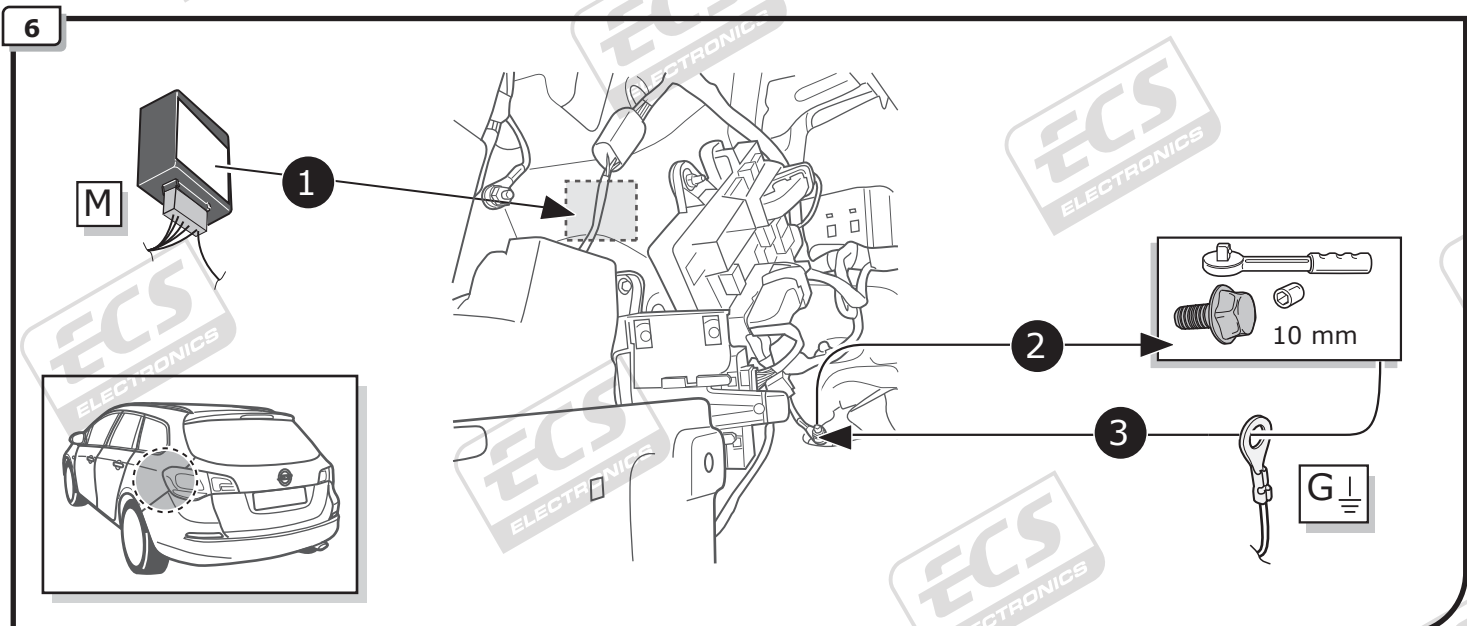
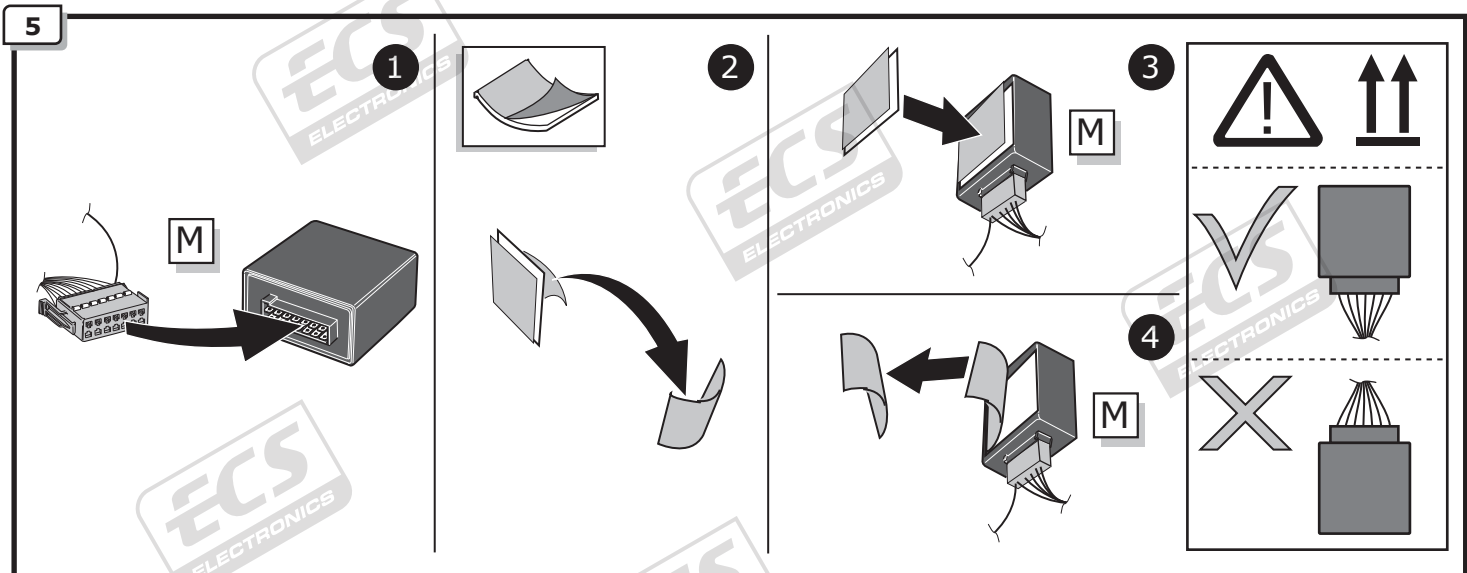
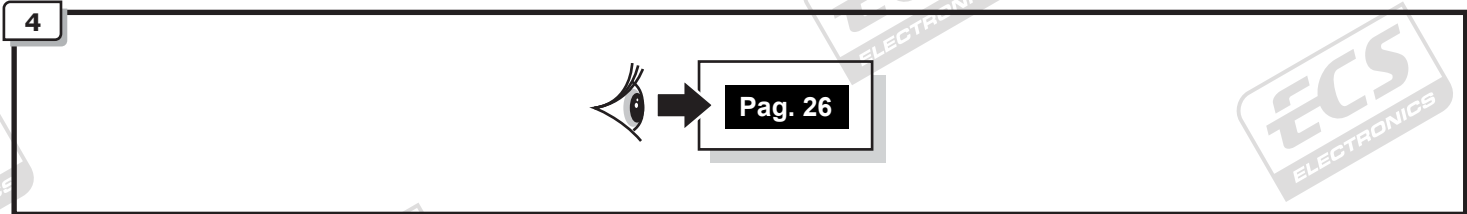
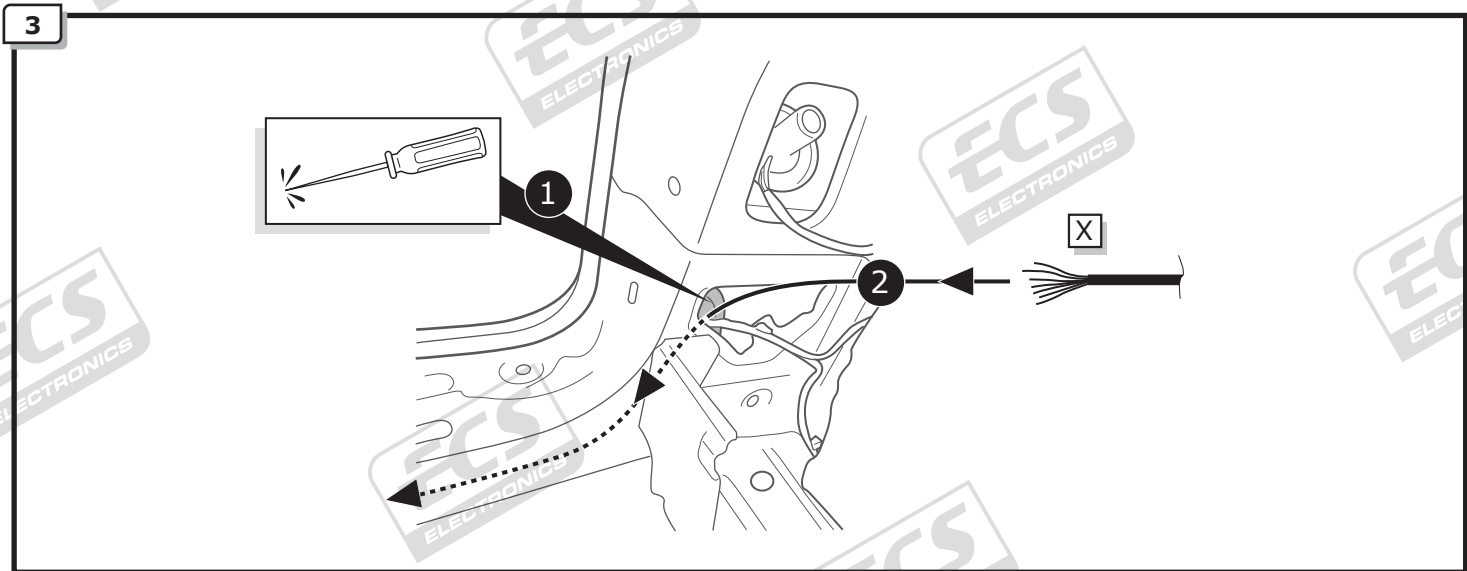
Pag. 12

1

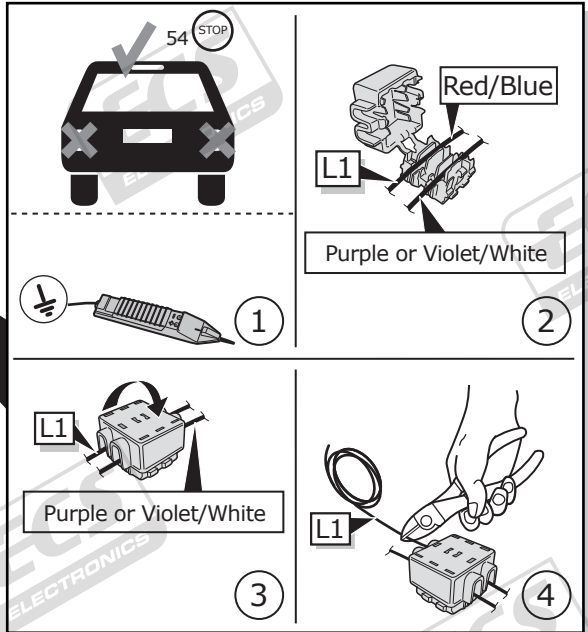
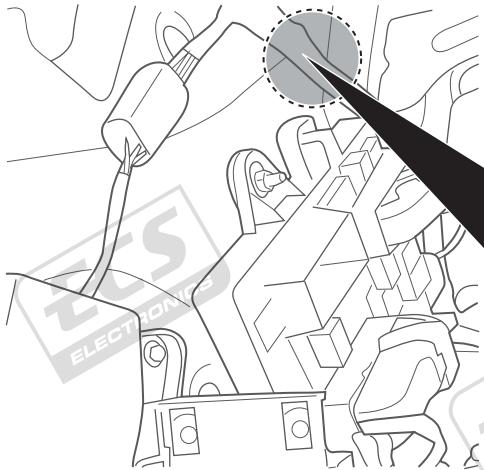
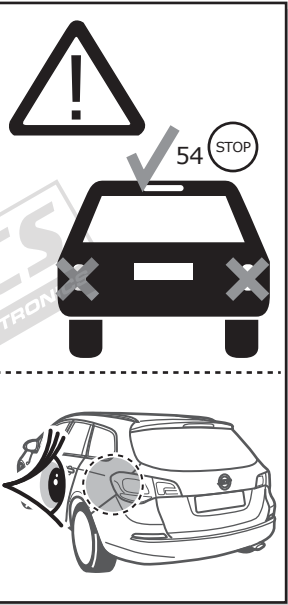


2

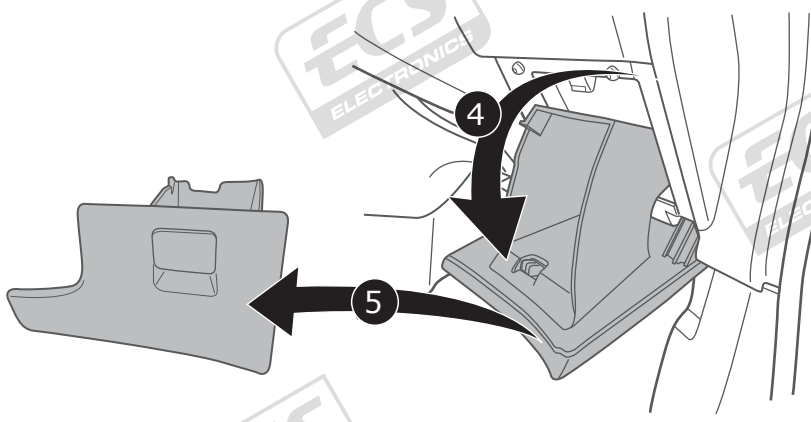
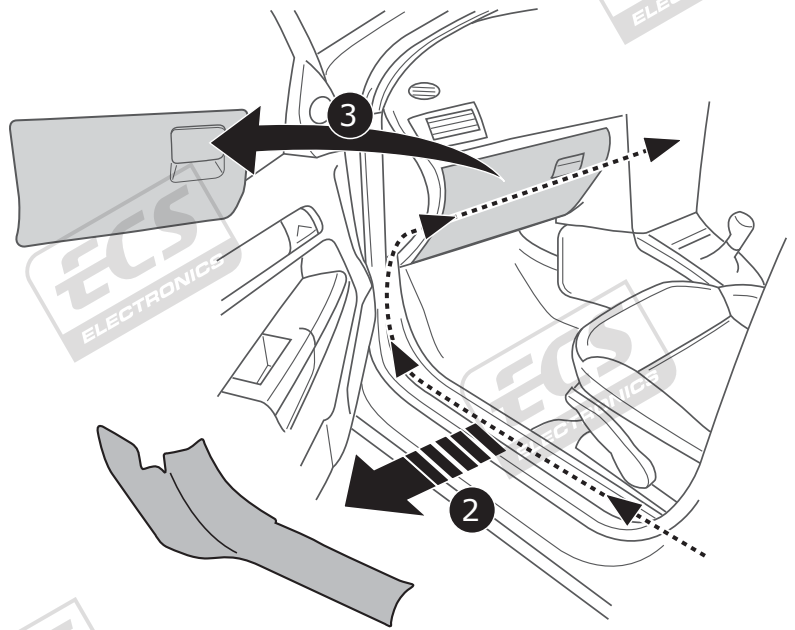
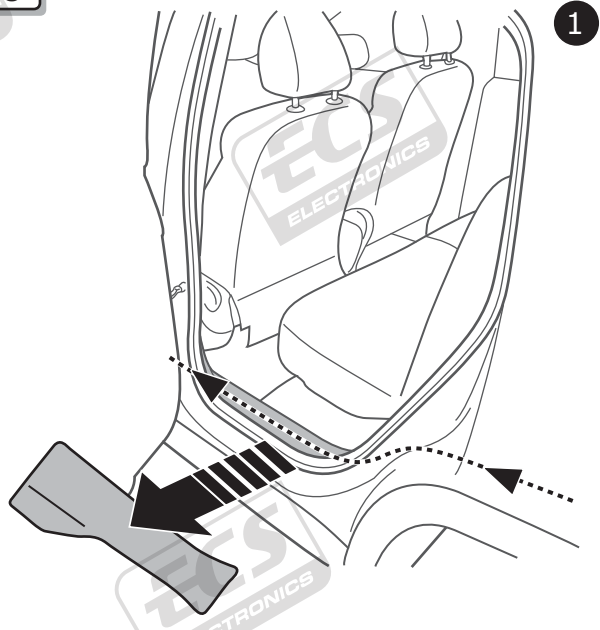




7



8

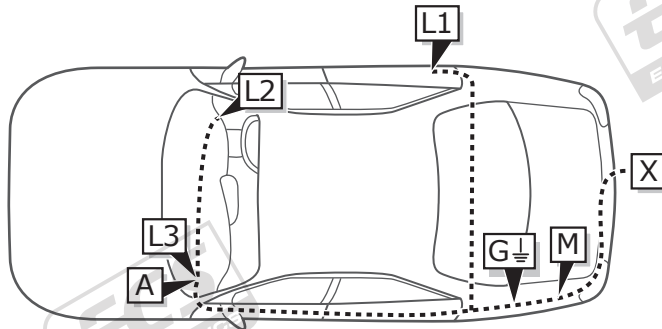


9



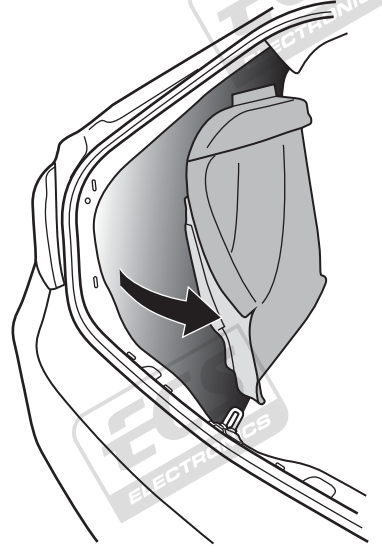
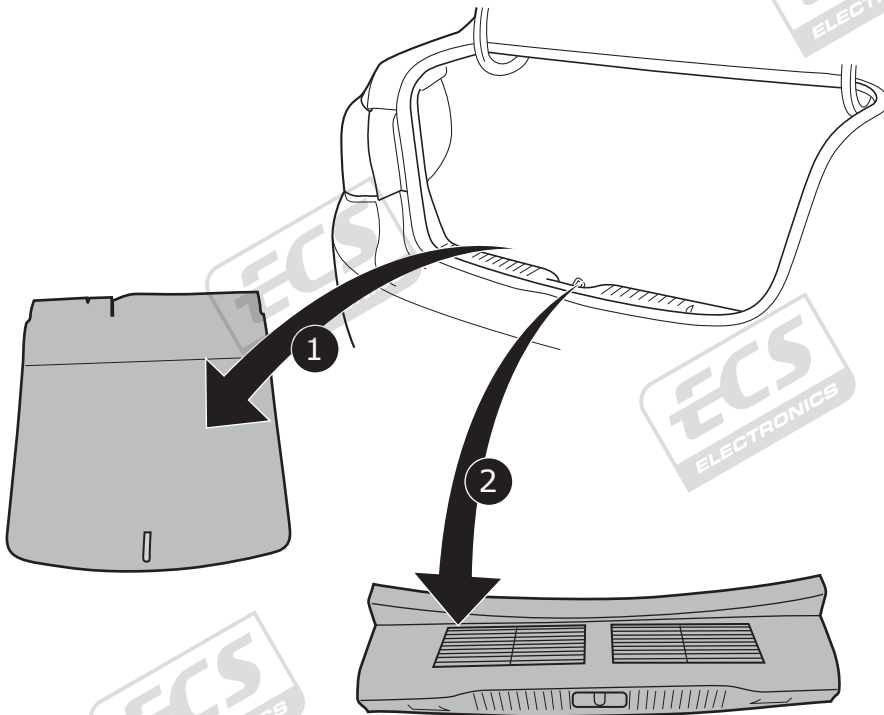
INFO

**Astra SD**  
Pag. 13  
-  
Pag. 15

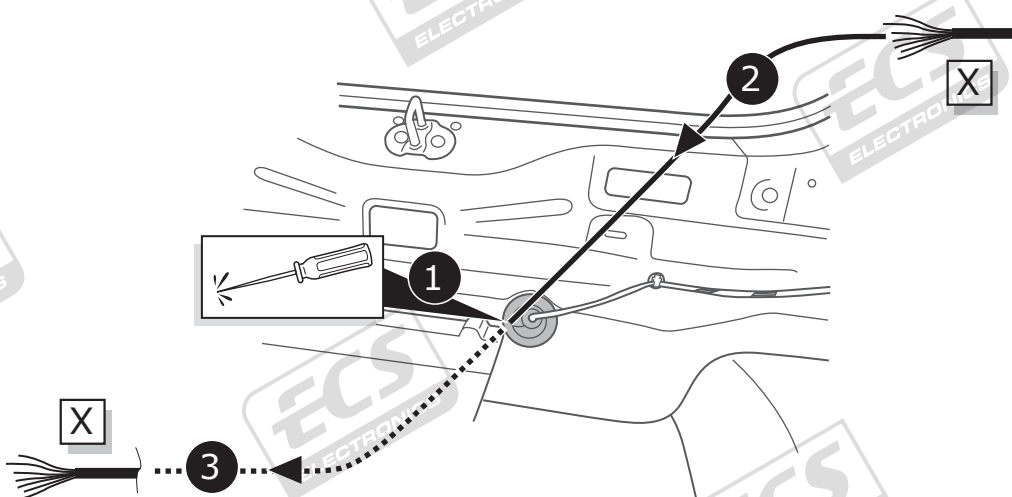


1

2



3



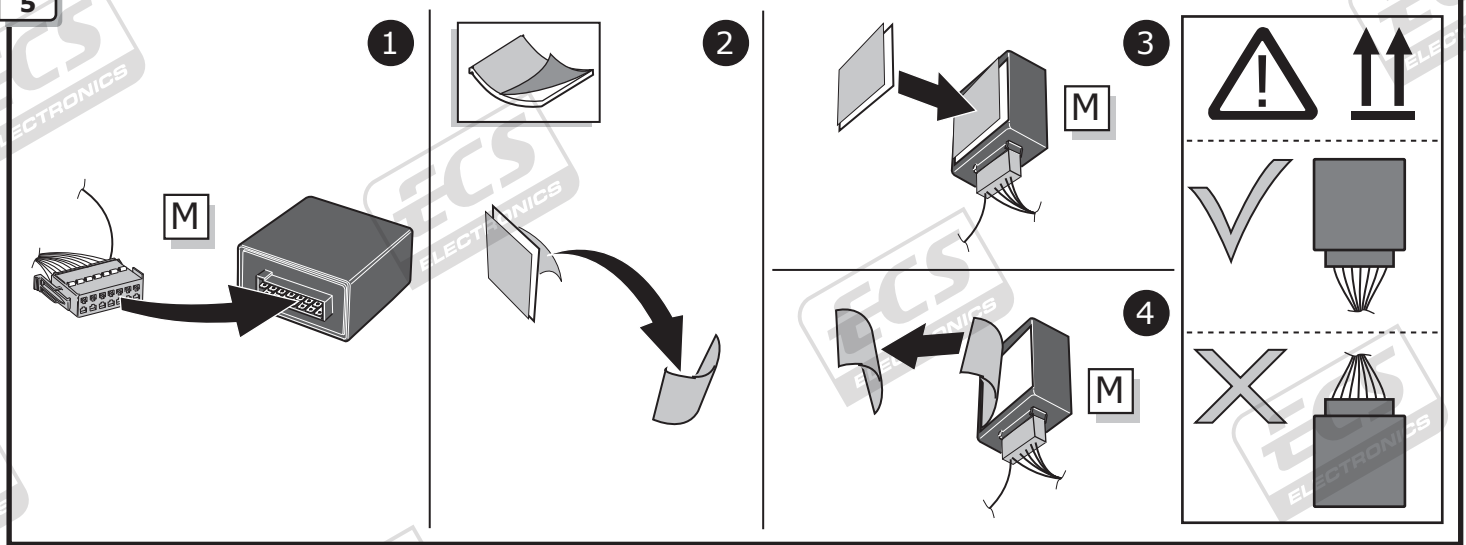


4

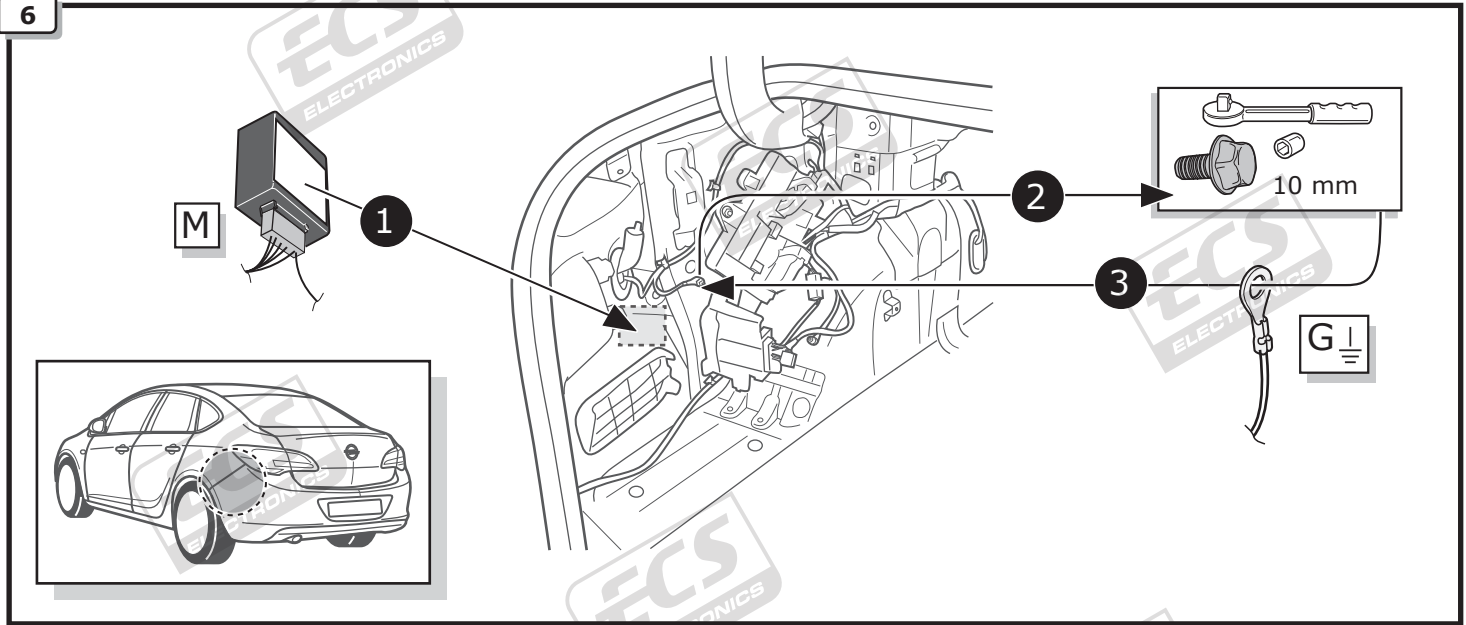


Pag. 26

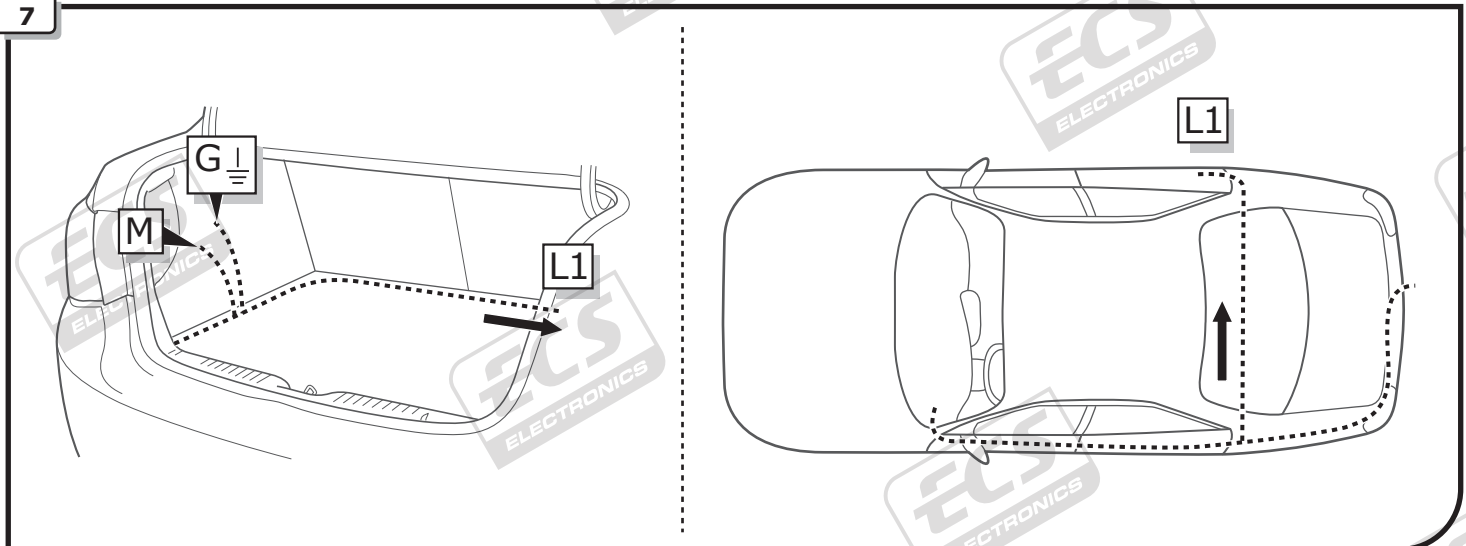
5



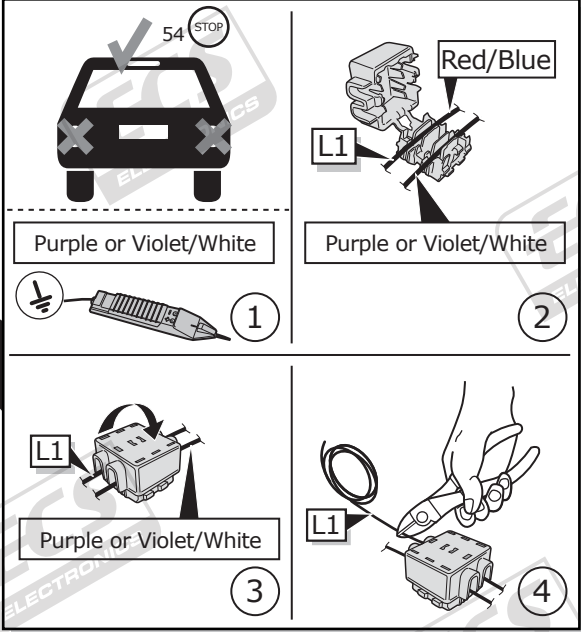
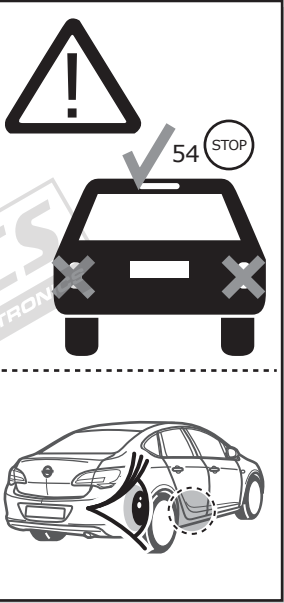
6



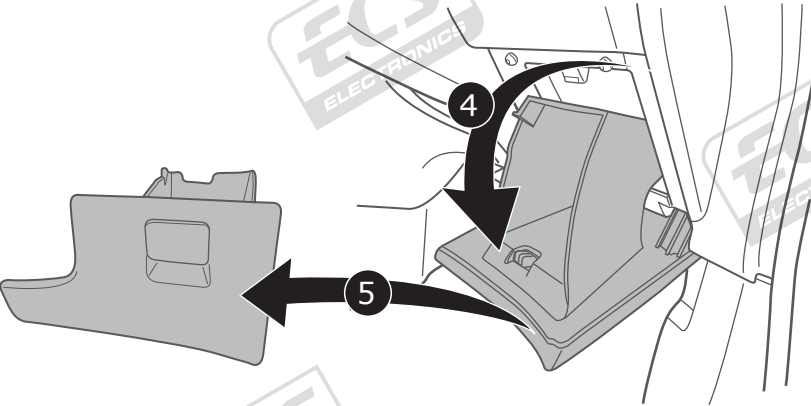
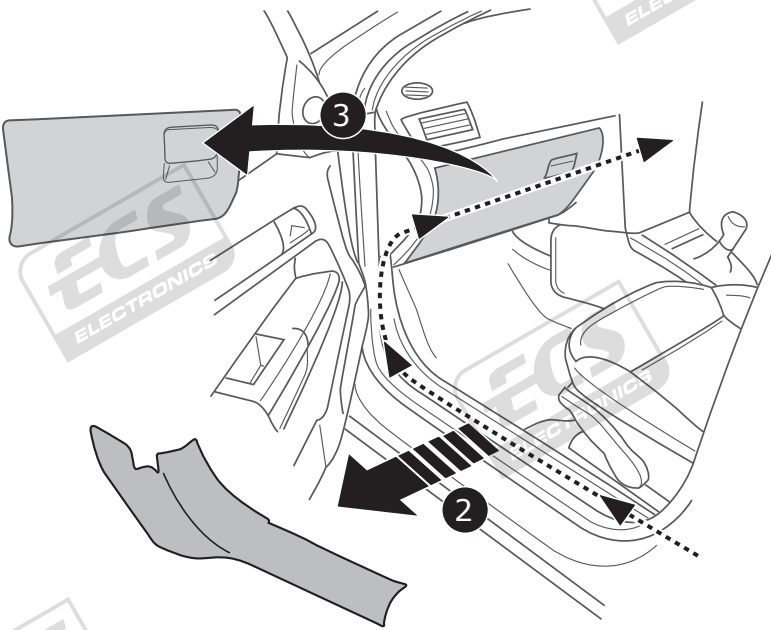
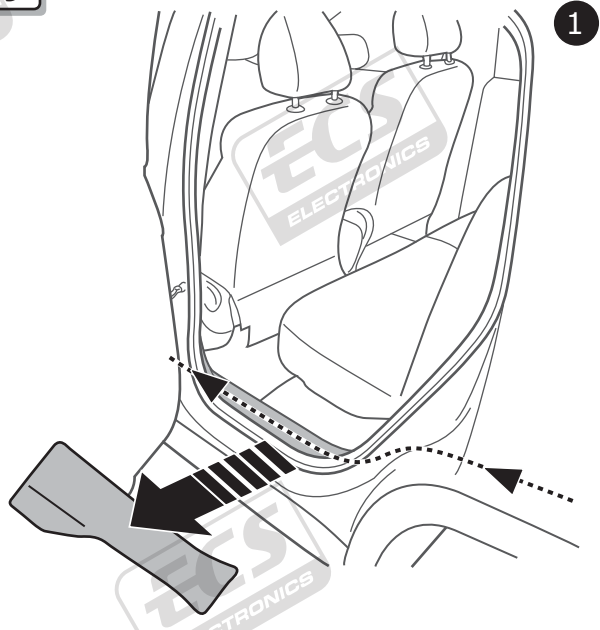
7



8



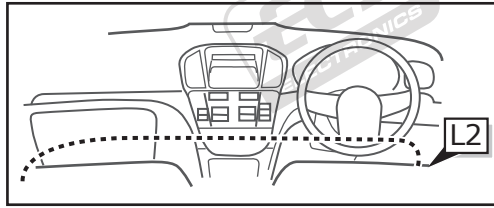
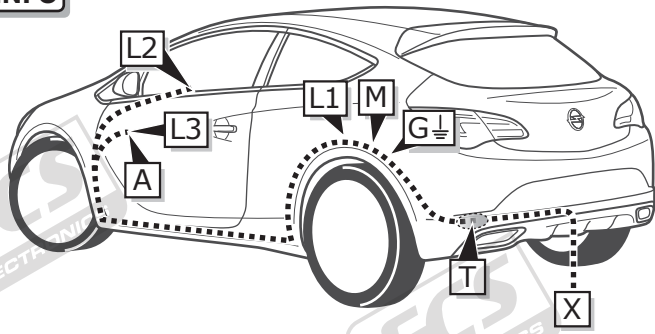
9



10



INFO

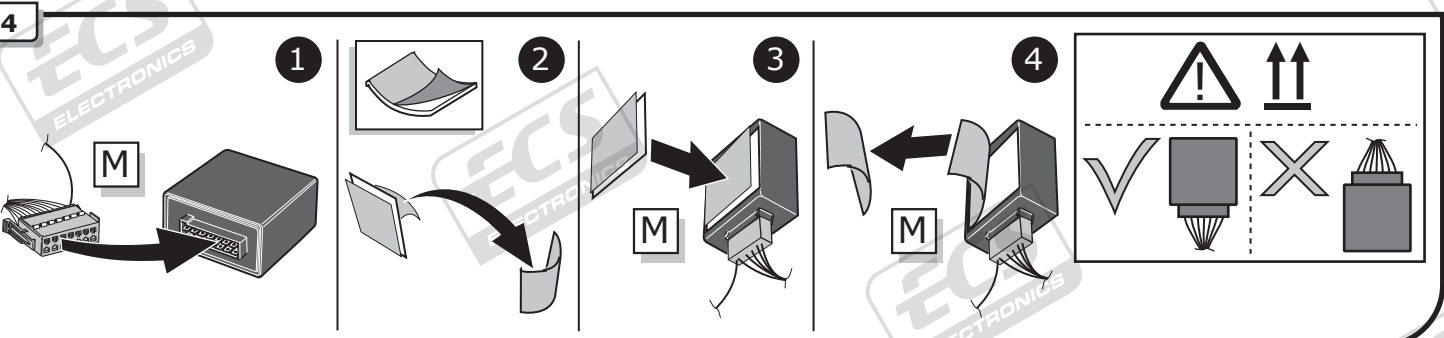
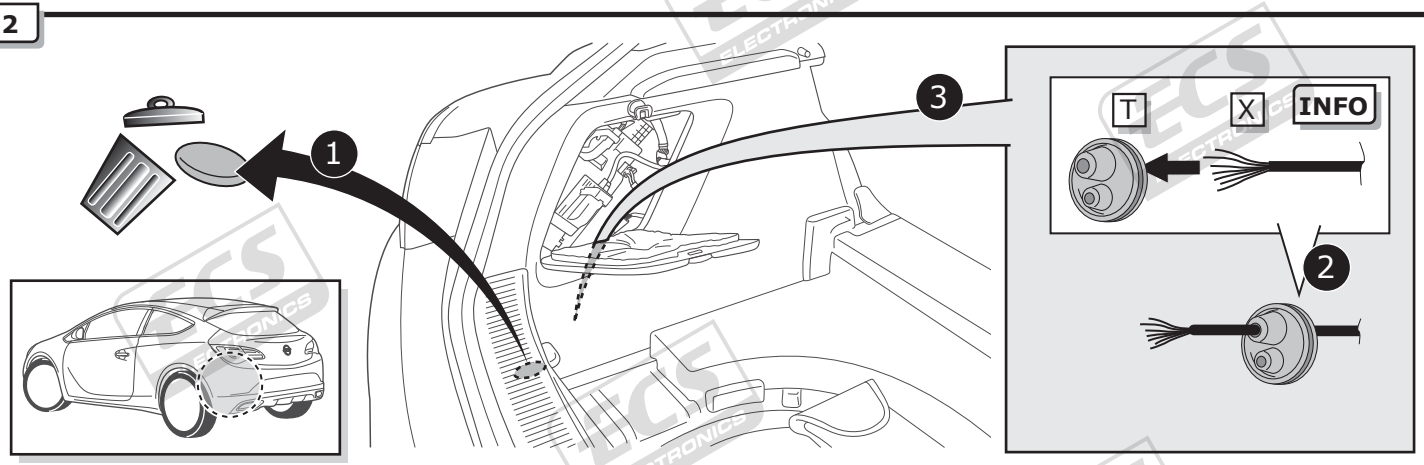
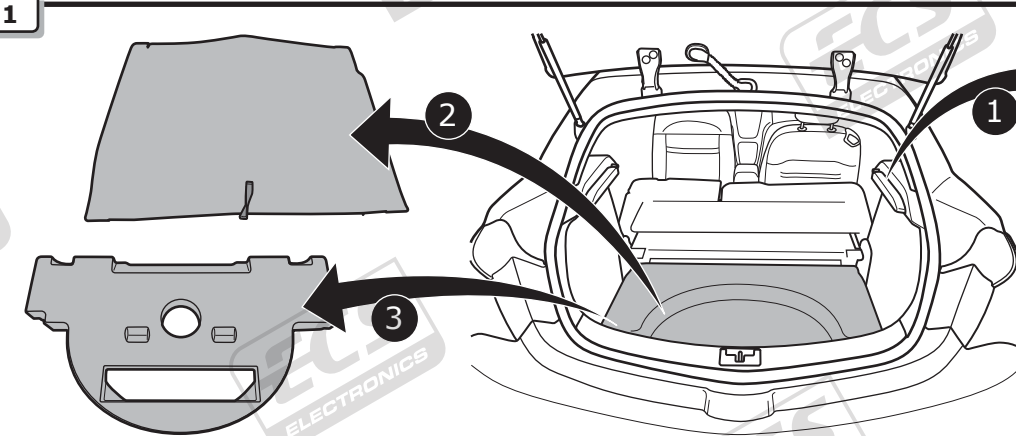


Astra GTC

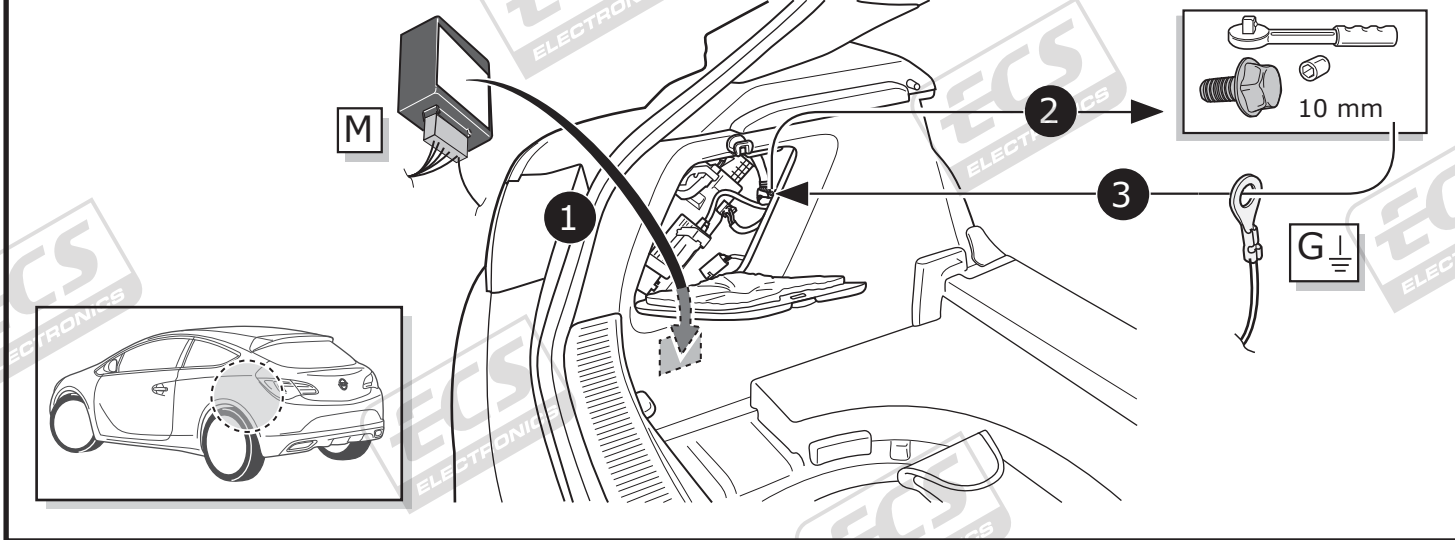
Pag. 16

-

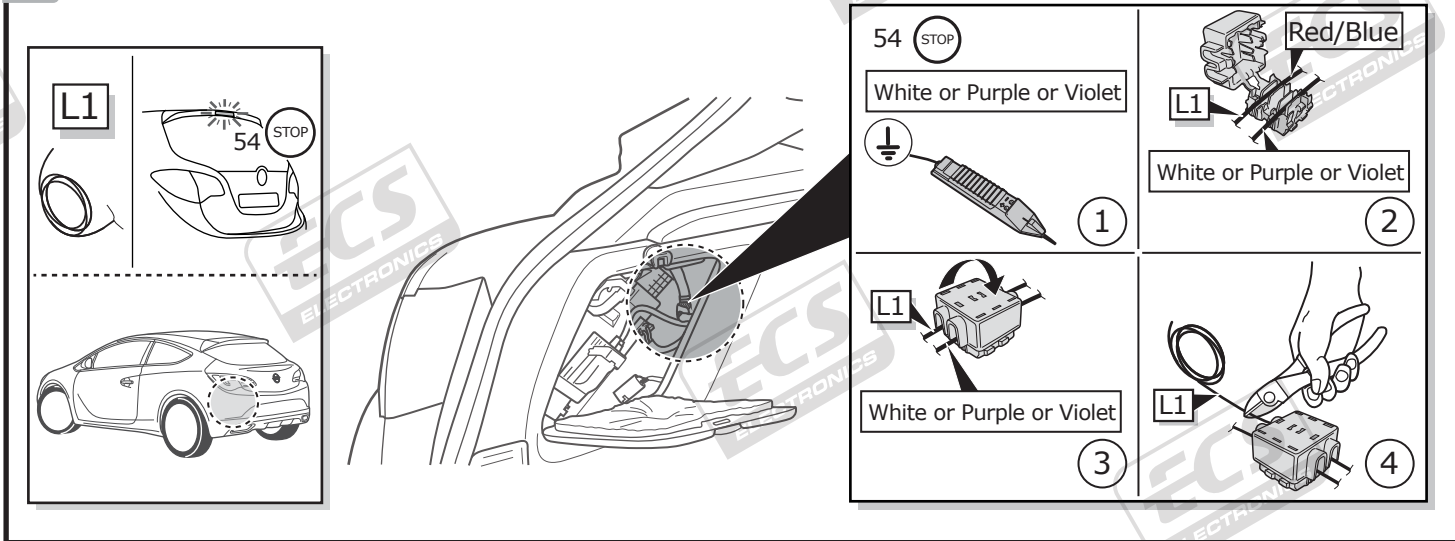
Pag. 17



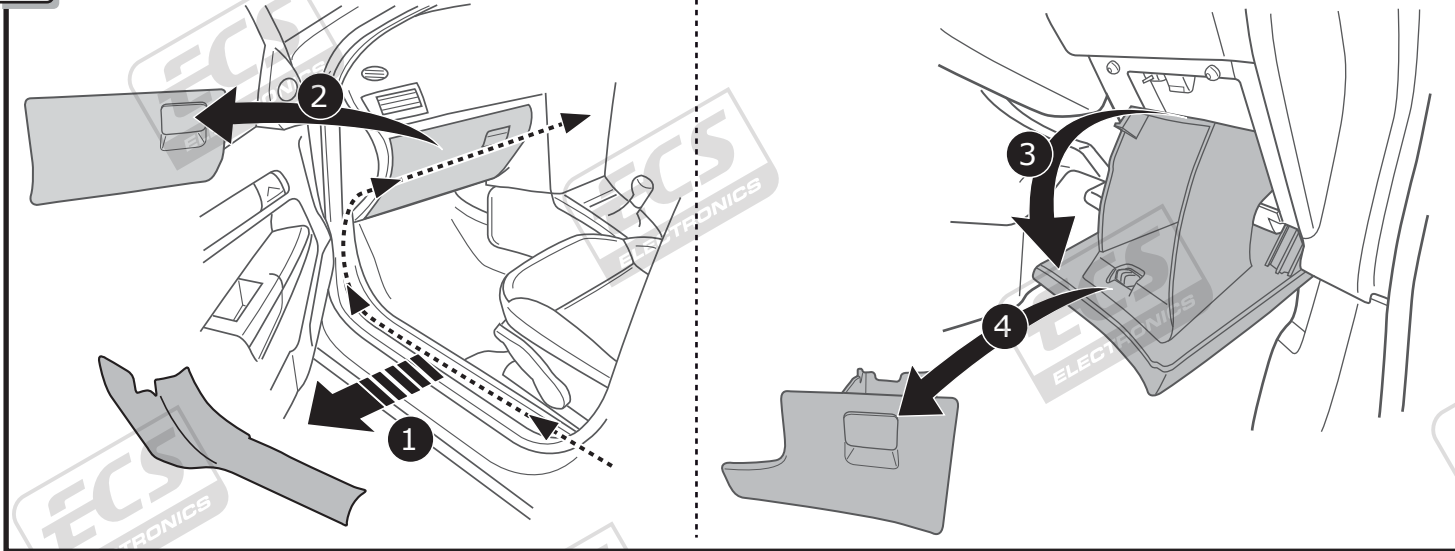
5



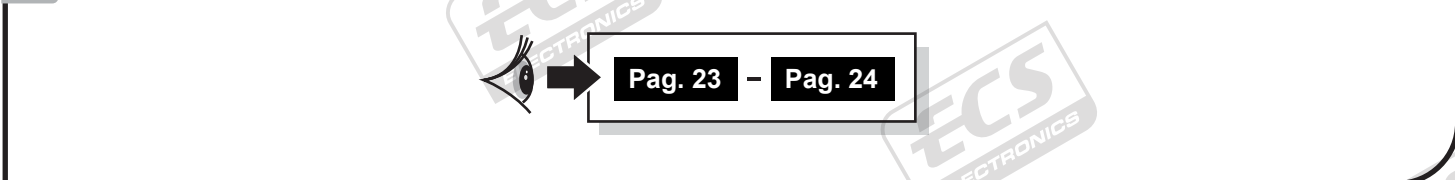
6



7



8





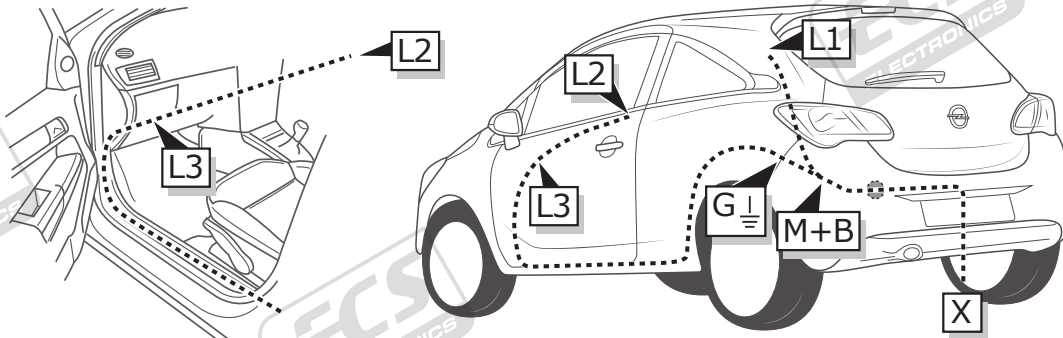
# Corsa E

## INFO

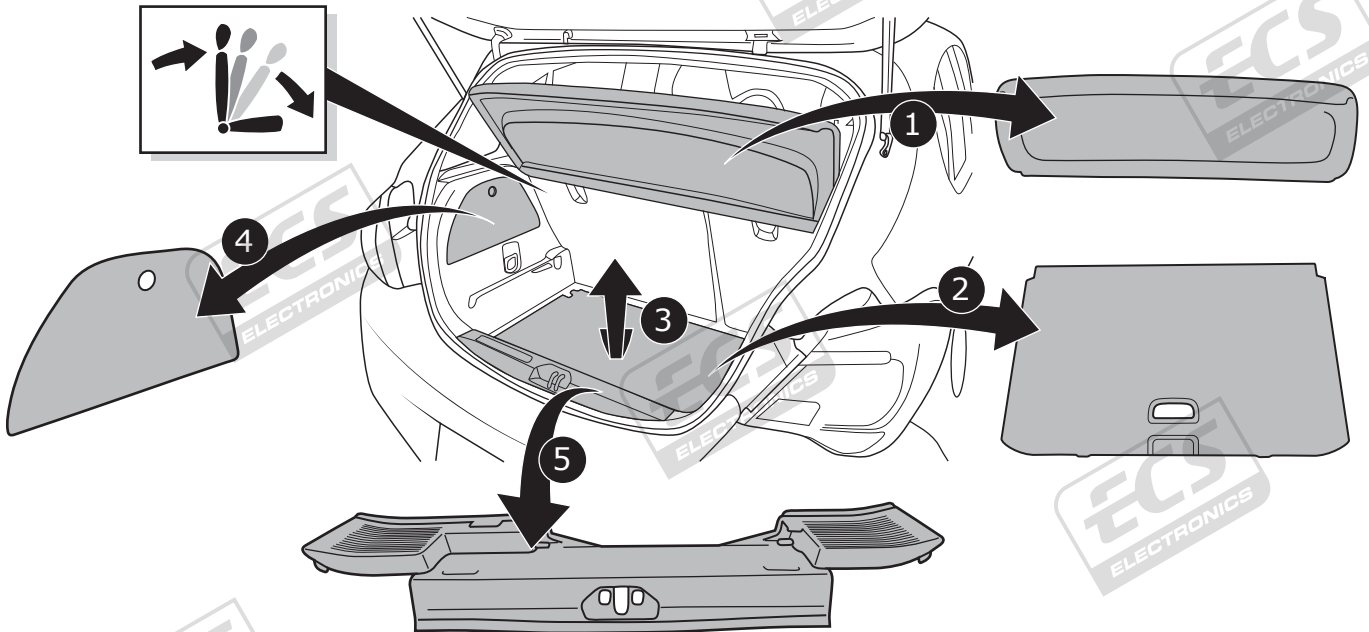
**Corsa E**

Pag. 18

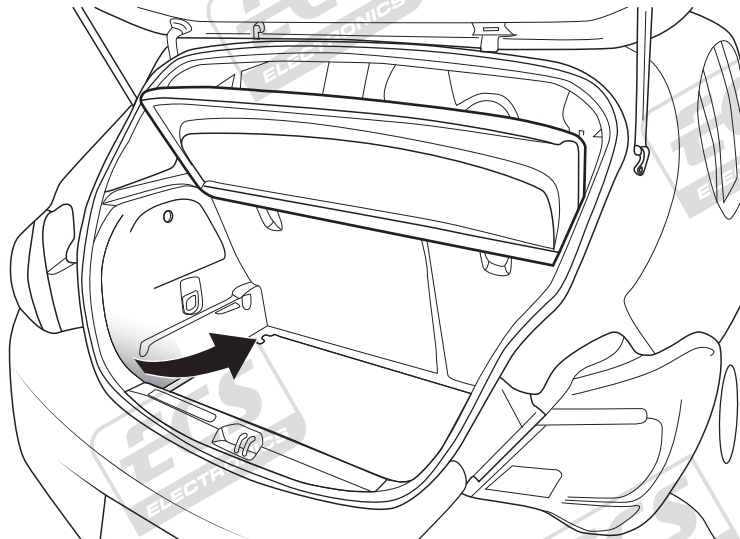
-  
Pag. 22



1

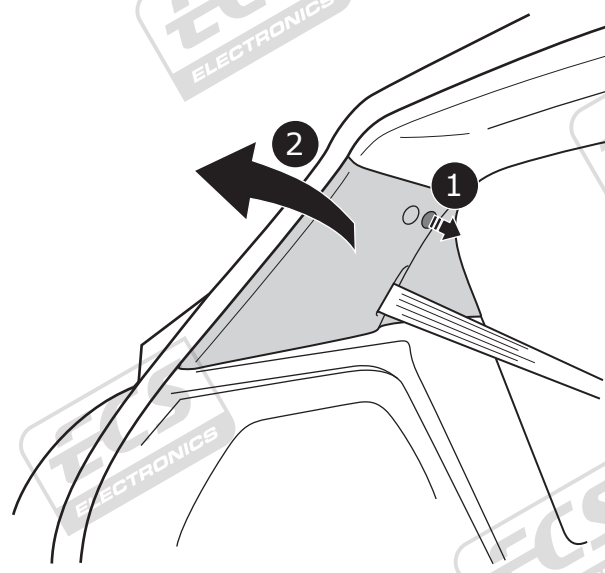


2

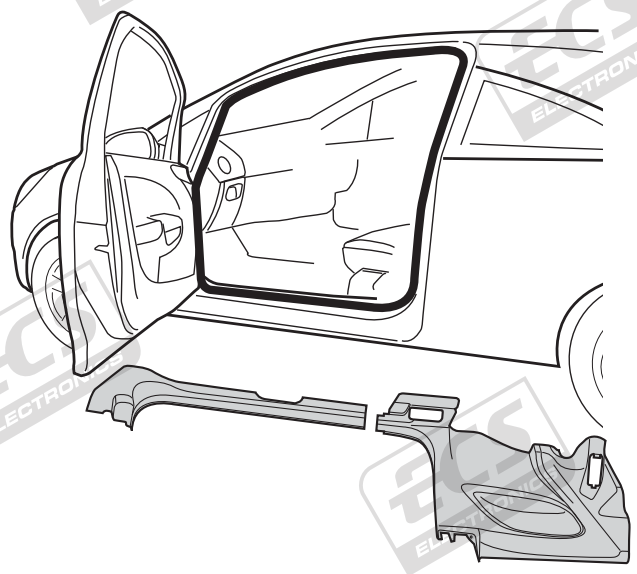
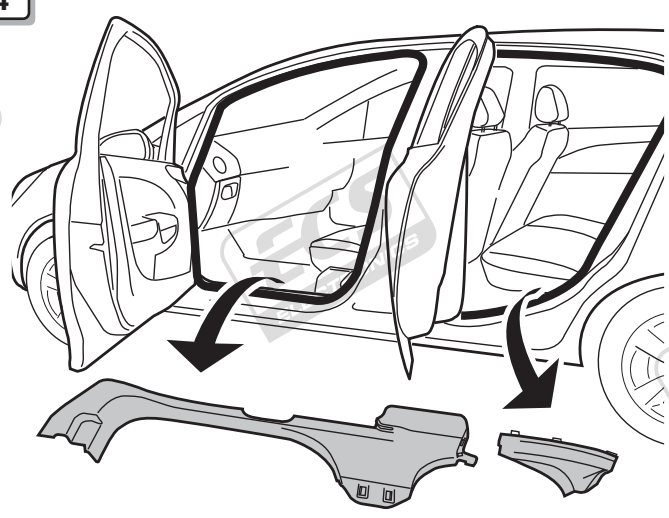




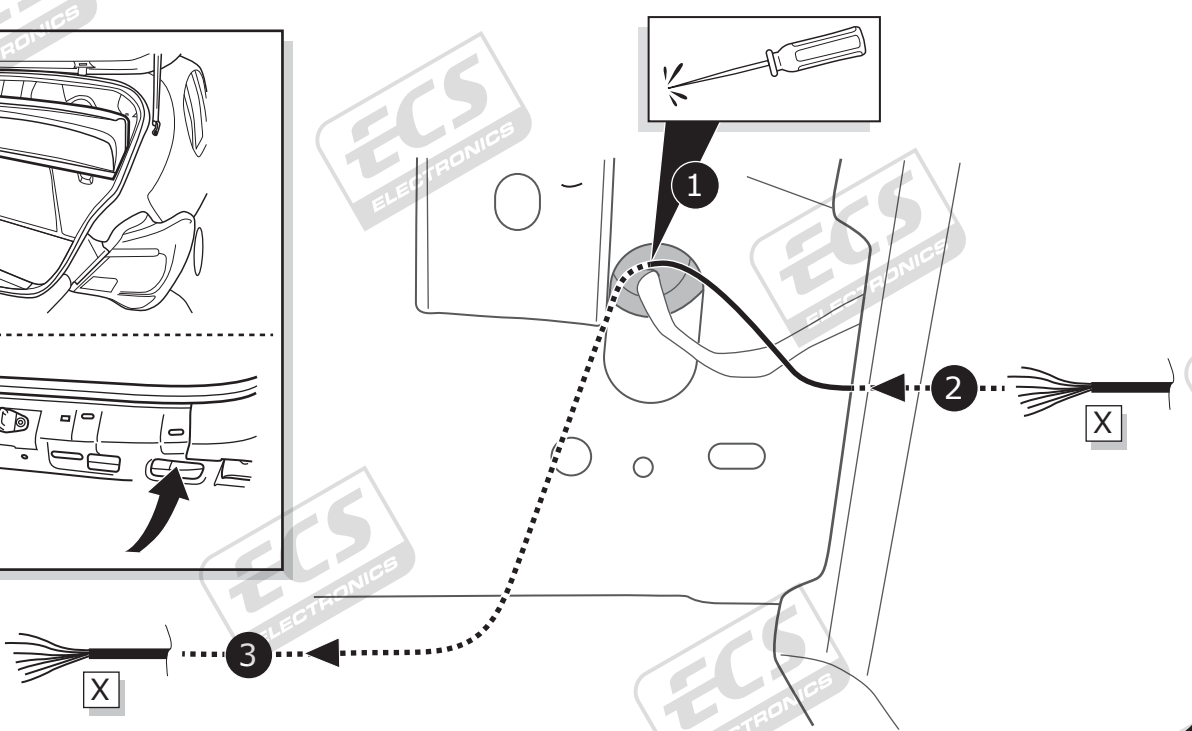
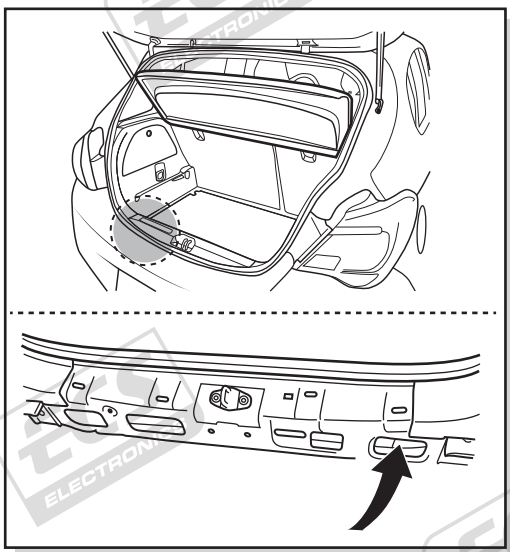
3



4



5



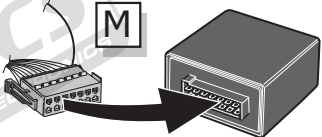
6



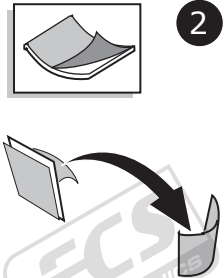
Pag. 26

7

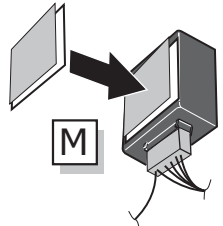
1



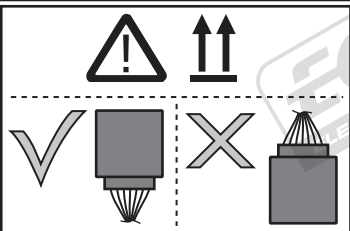
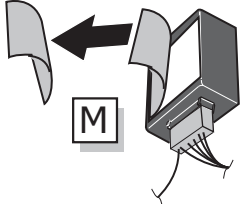
2



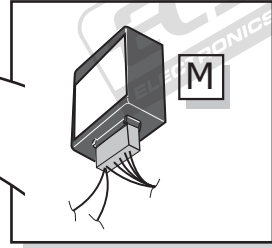
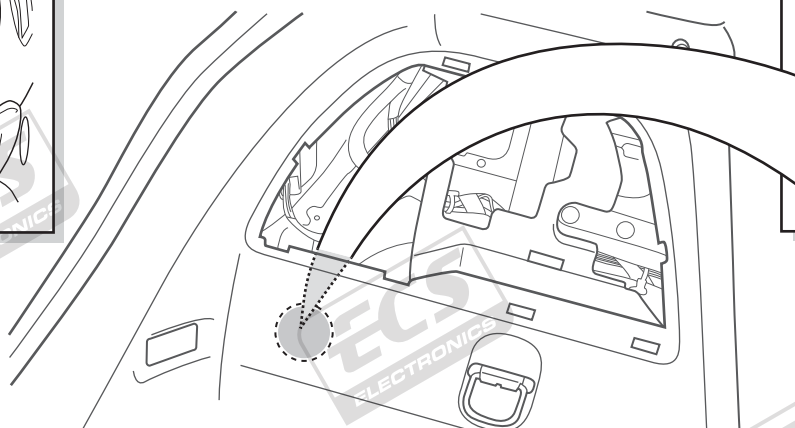
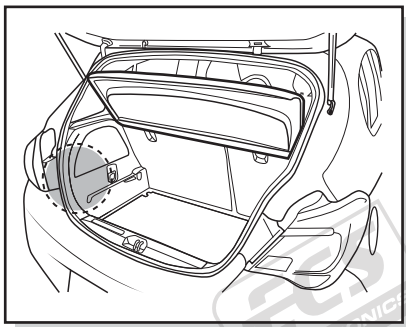
3



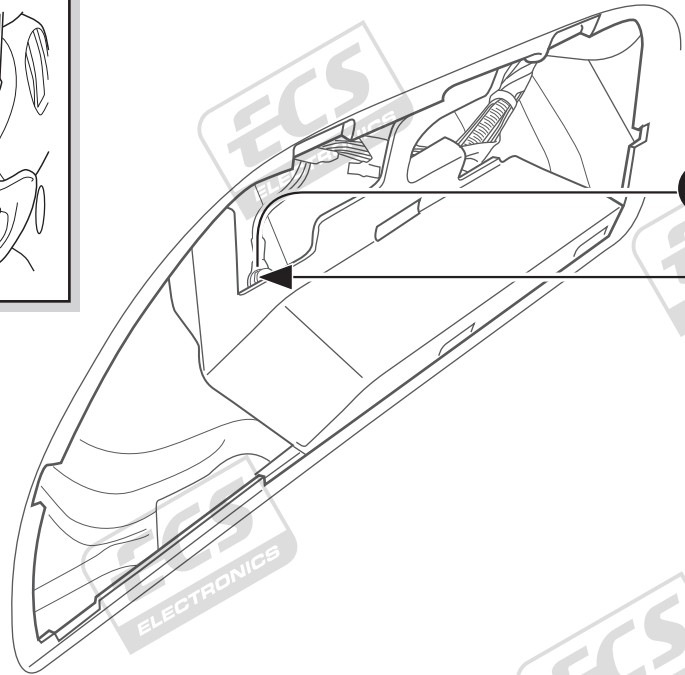
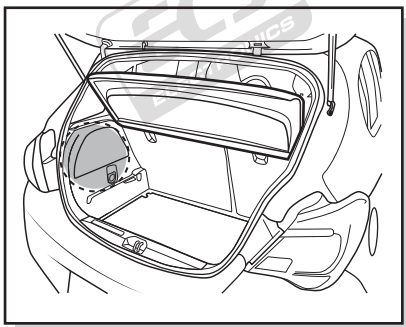
4



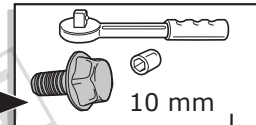
8



9

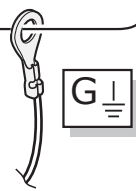


1



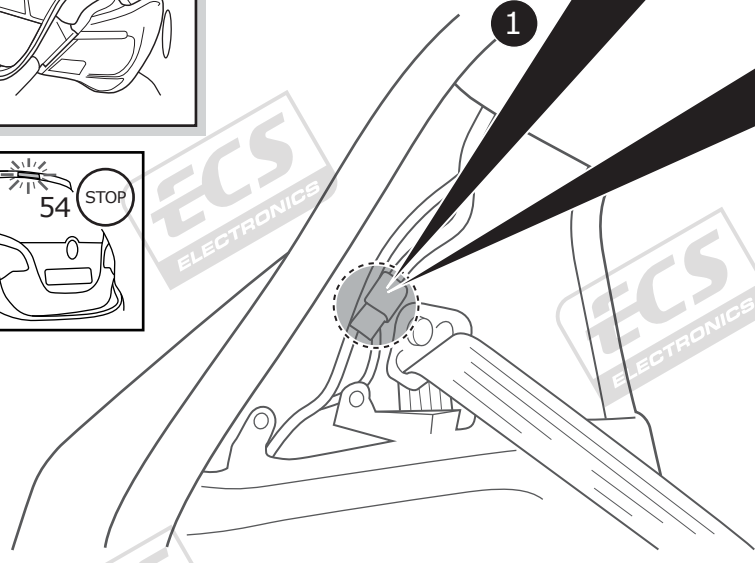
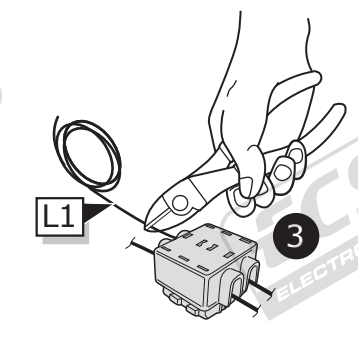
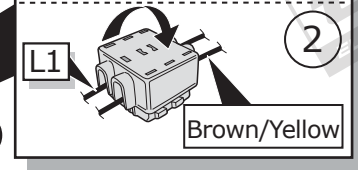
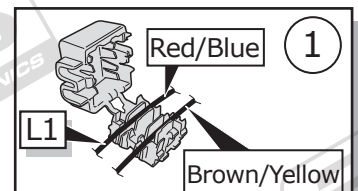
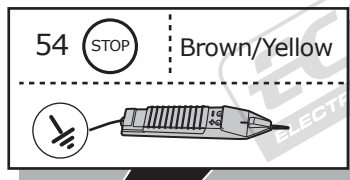
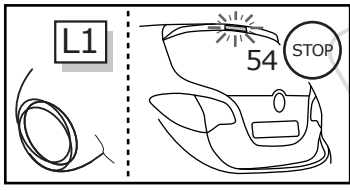
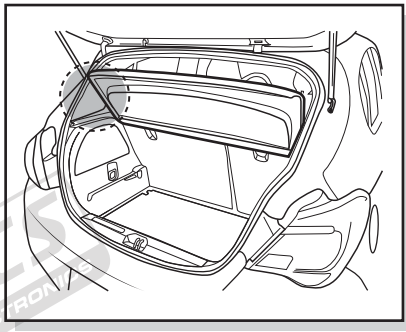
10 mm

2

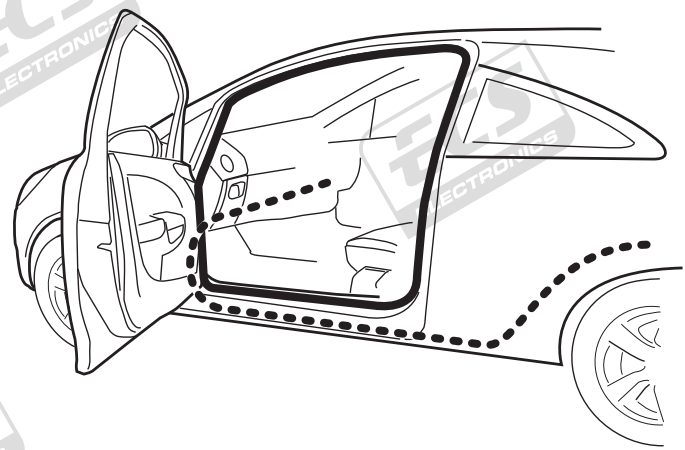
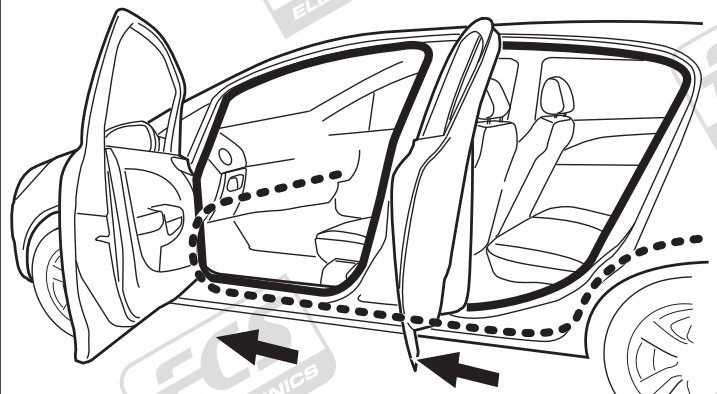


G

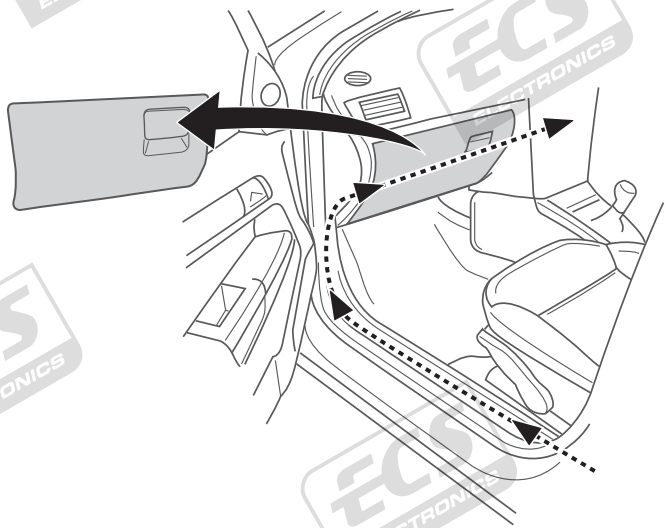
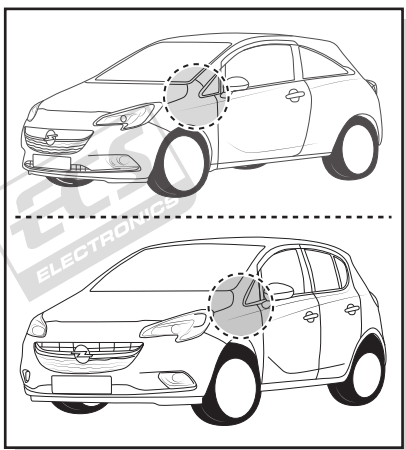
10



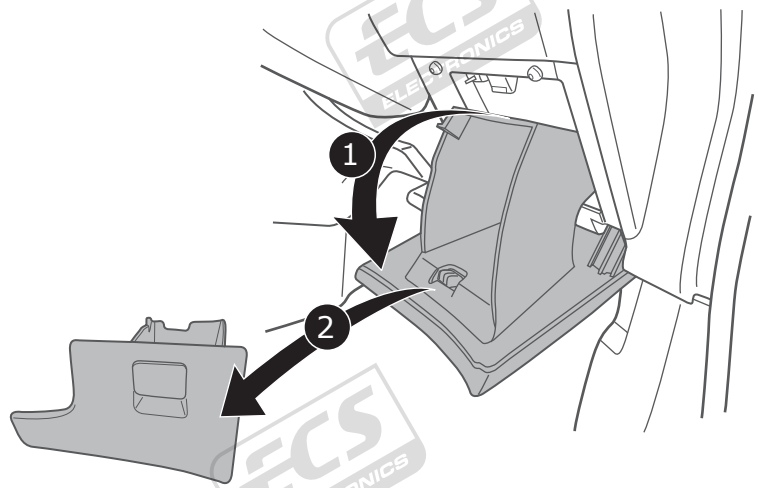
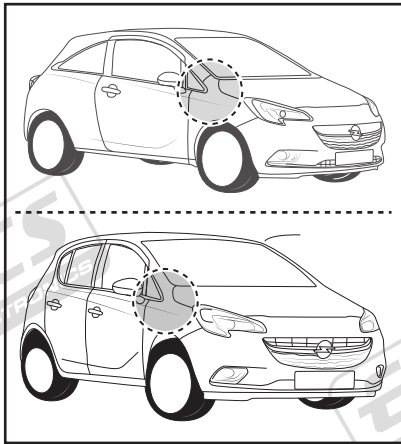
11



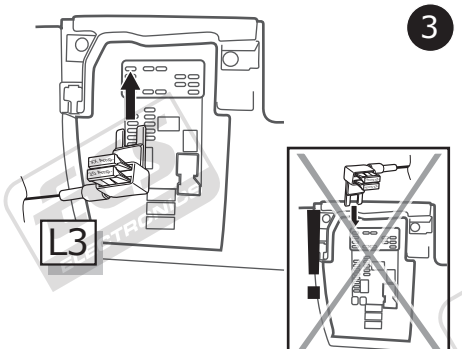
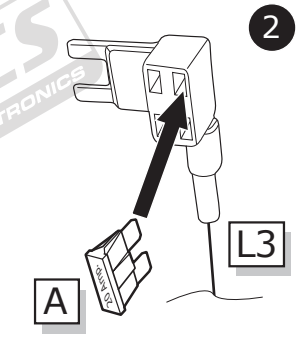
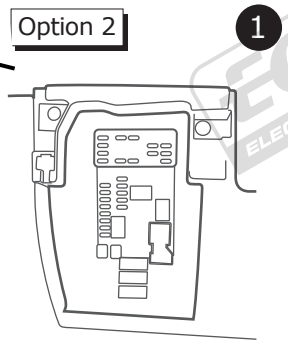
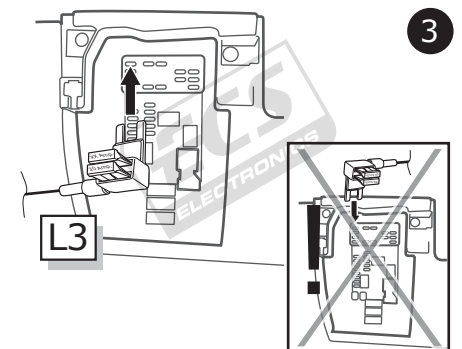
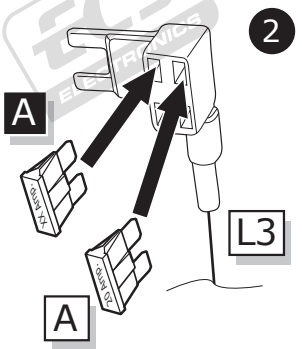
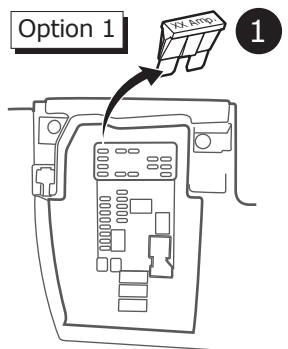
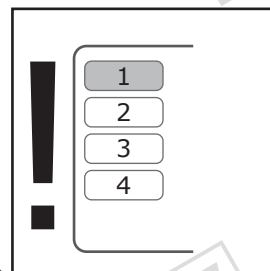
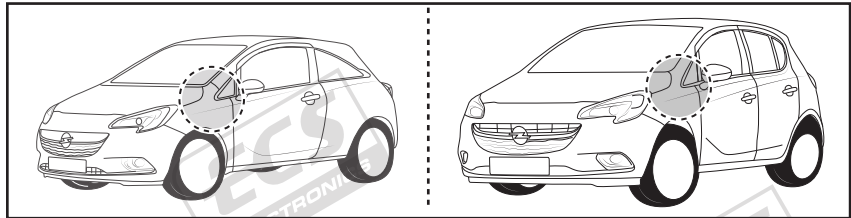
12



13



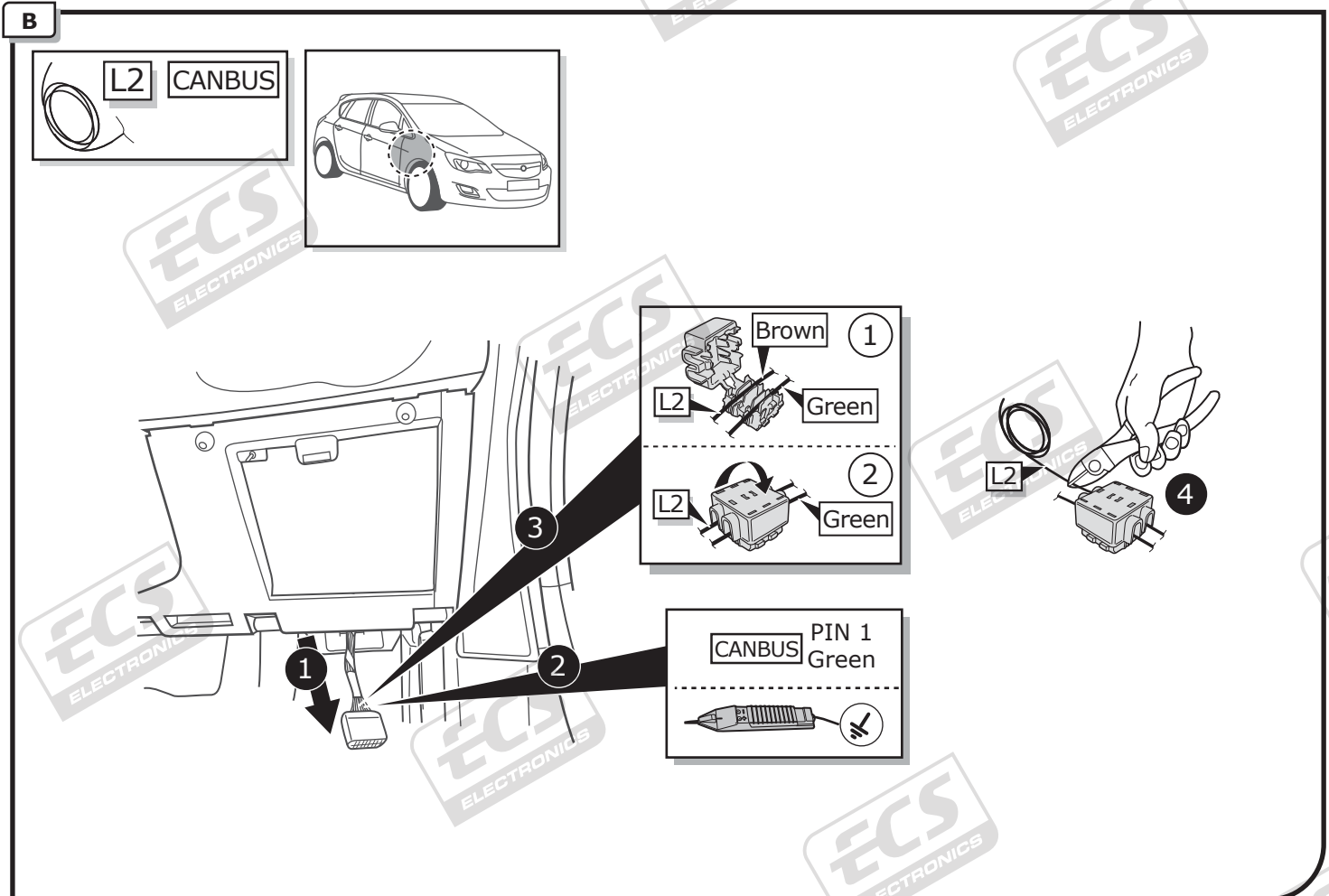
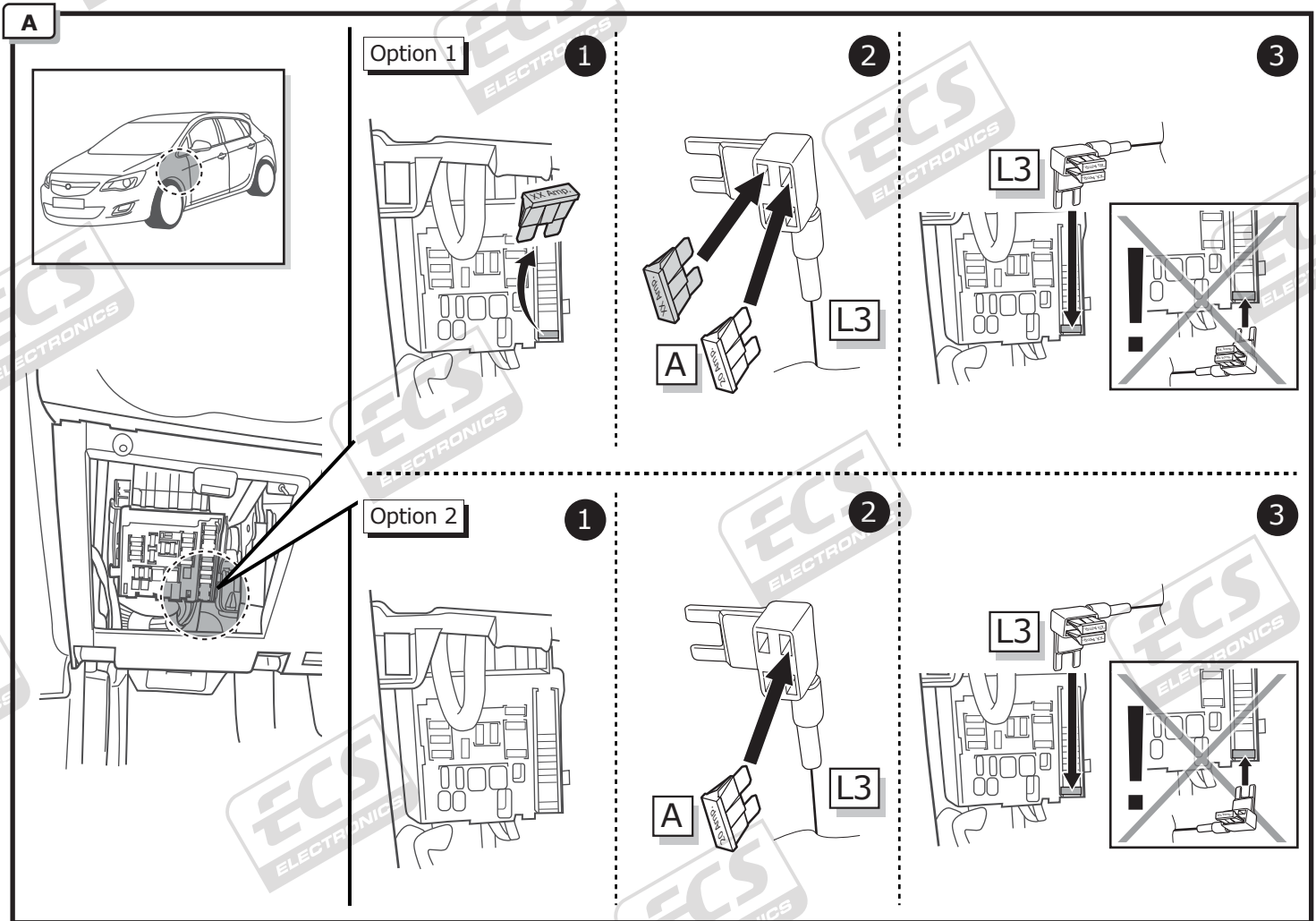
14



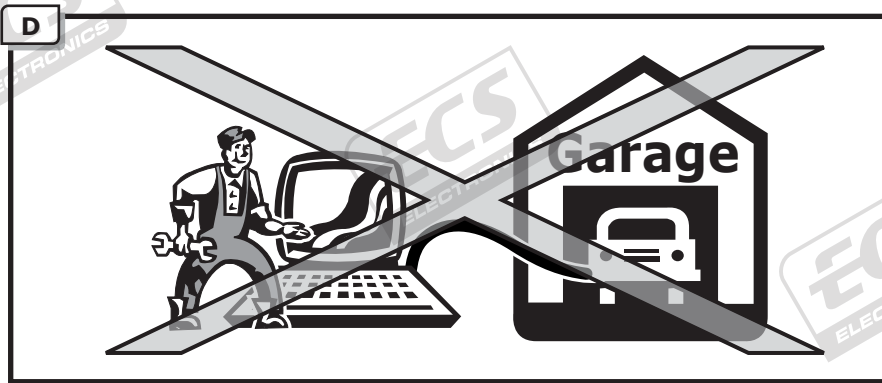
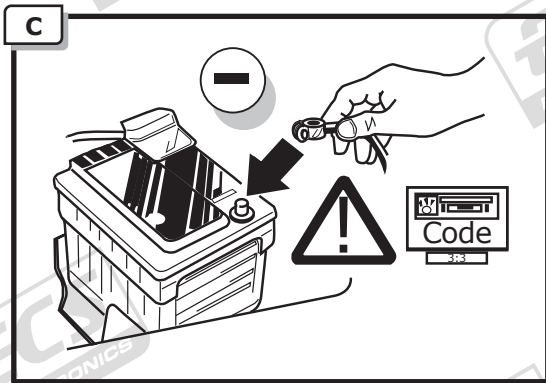
15









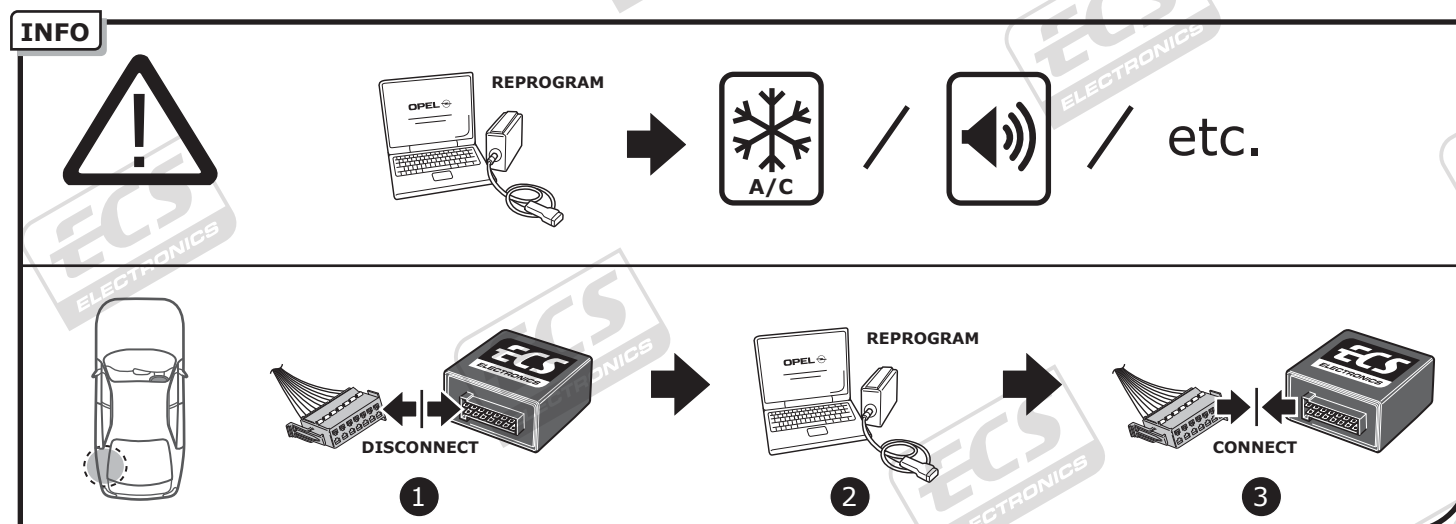
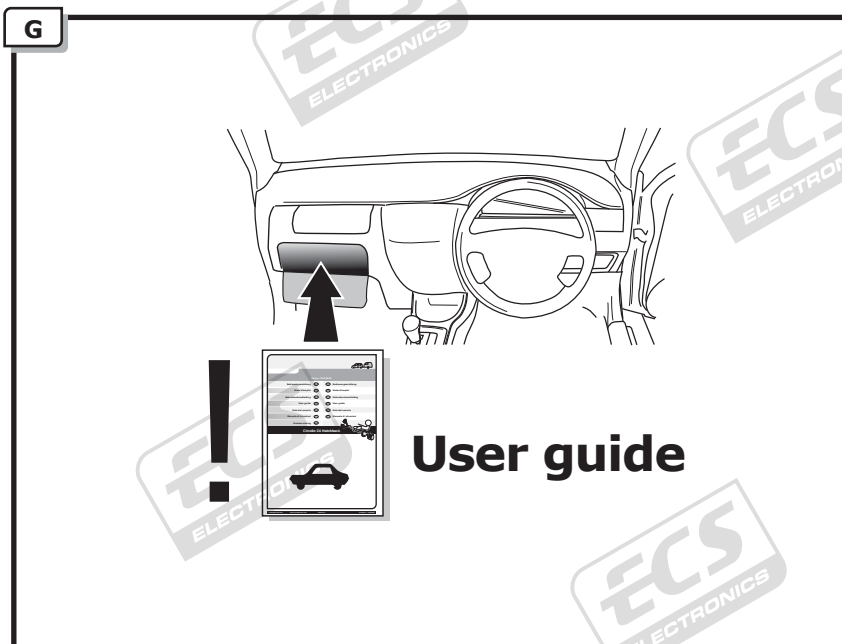


**E**



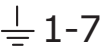




**!** TEST ALL THE CIRCUITS WITH A TEST DEVICE WITH THE CORRECT POWER LOAD FOR EACH FUNCTION. A TEST DEVICE WITH LED'S CANNOT BE USED FOR THIS PURPOSE.

**F**

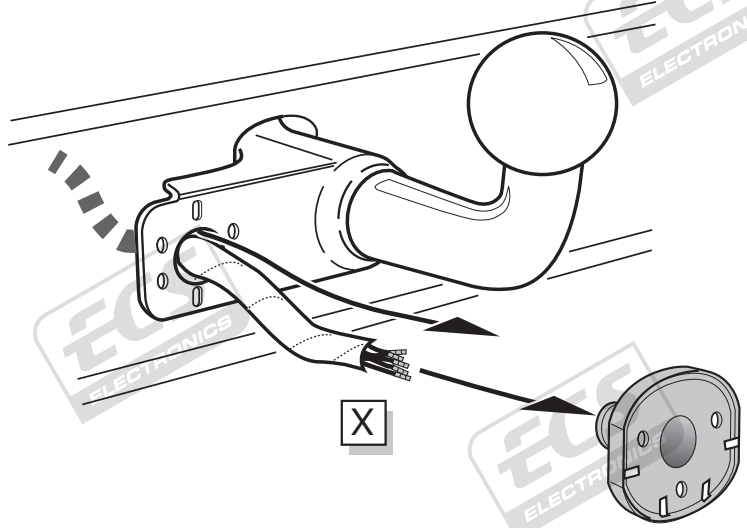
REINSTALL TRIM.



SOCKET CONNECTION

DIN/ISO 1724							
	1/L	2	3/31	4/R	5/58-R	6/54	7/58-L
Pmax	21W	21W		21W	42W	3x21W	42W
Colour	Yellow	Blue	White	Green	Brown	Red	Black

A



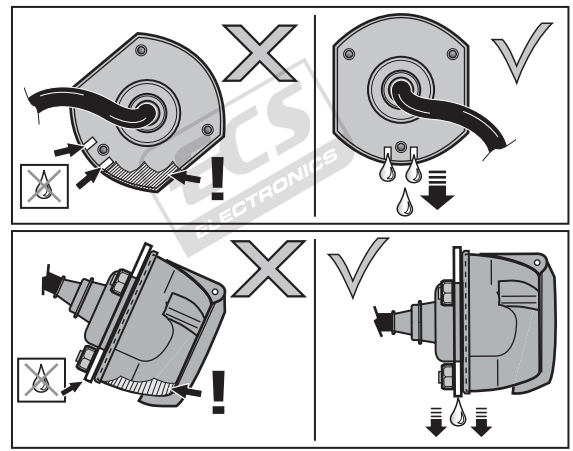
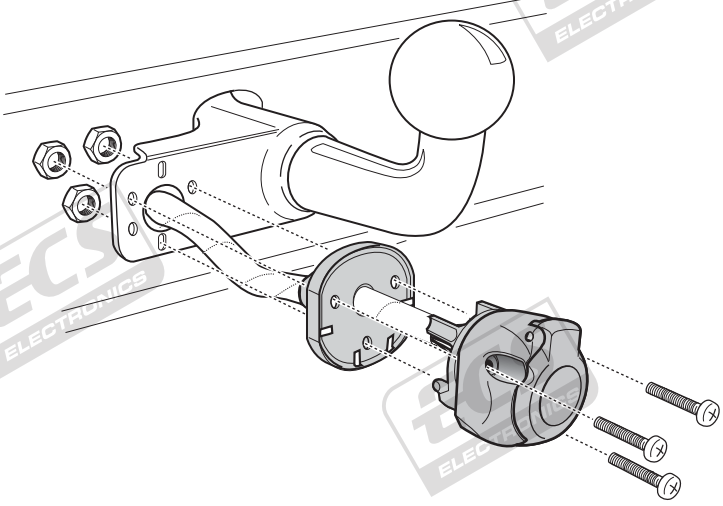
INFO

SOCKET CONNECTION



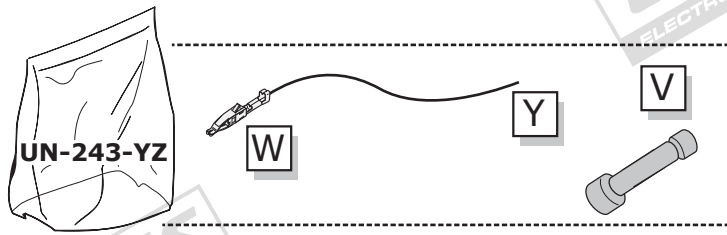
Pag. 25

B

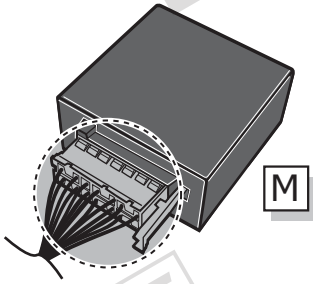


# UN-243-YZ Reverse lamp pre-wire extension

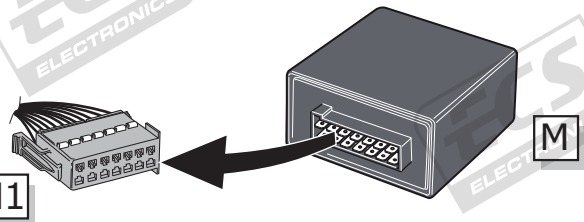
⚠ MAX = 21W



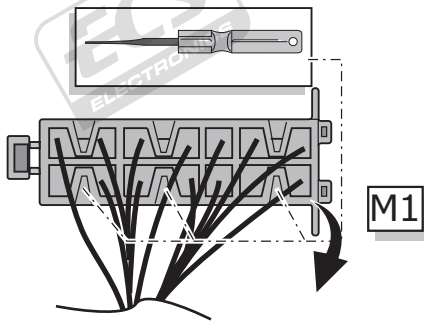
**A**



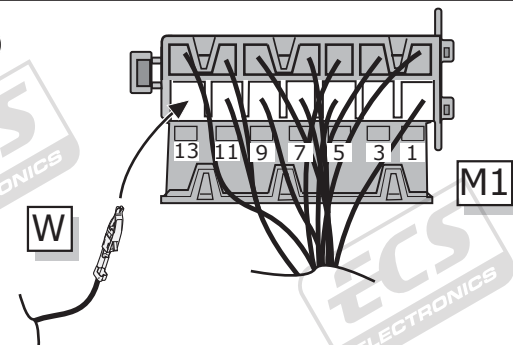
**1**



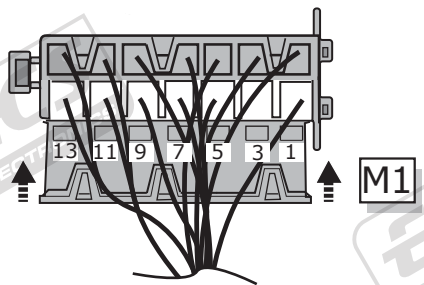
**2**



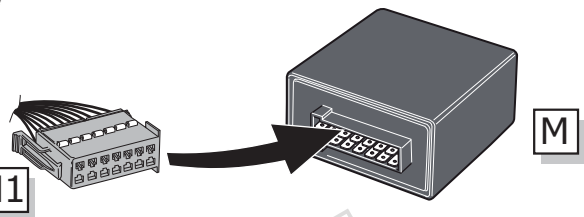
**3**



**4**



**5**



**B**

⚠ MAX = 21W

