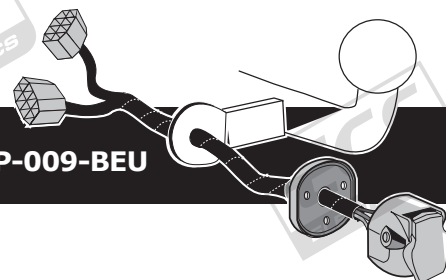


## VAUXHALL ZAFIRA 1999 - 2005

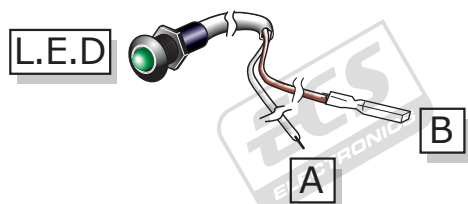
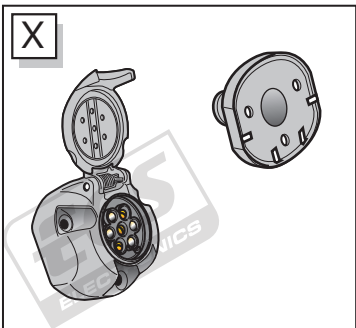
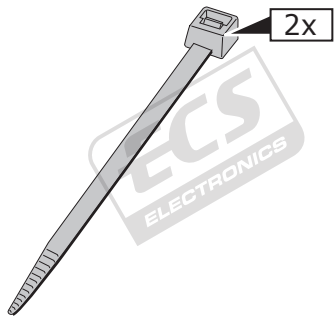
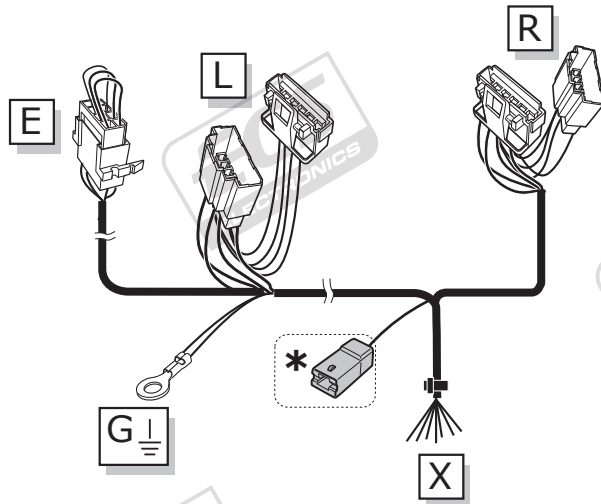
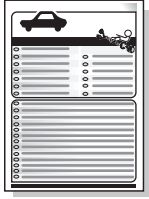
Partnr.: OP-009-BEU



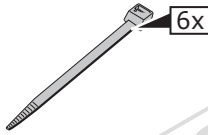
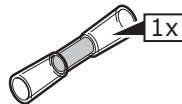
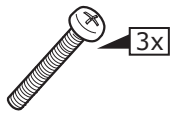
- Fitting instructions electric wiring kit tow bar with 12-N socket up to DIN/ISO Norm 1724.
- We would expressly point out that assembly not carried out properly by a competent installer will result in cancellation of any right to damage compensation, in particular those arising by virtue of the product liability act.
- Contents of these kits and their fitting manuals are subject to alteration without notice, please ensure that these instructions are read and fully understood before commencing installation.
- Do not overload circuits; the maximum loads per connection are detailed in this manual.
- Attention! Before Installation, please read this manual carefully and inform your customer to consult the vehicle owners manual to check for any vehicle modifications required before towing.
- In the event of functional problems, troubleshooting must be limited to about 0.5 hours, contact the technical support:  
[t.skinner@ecs-electronics.com](mailto:t.skinner@ecs-electronics.com) / 07440 202 052.



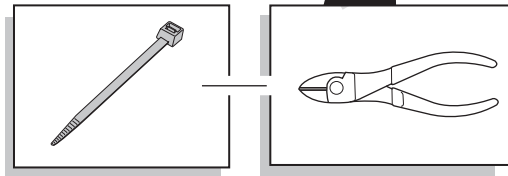
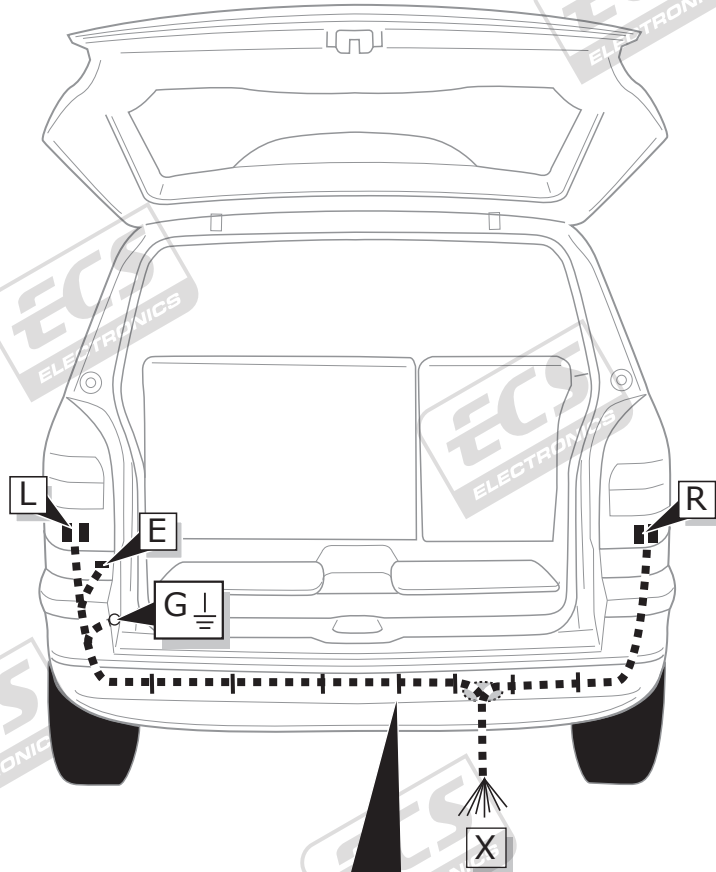
# Part list



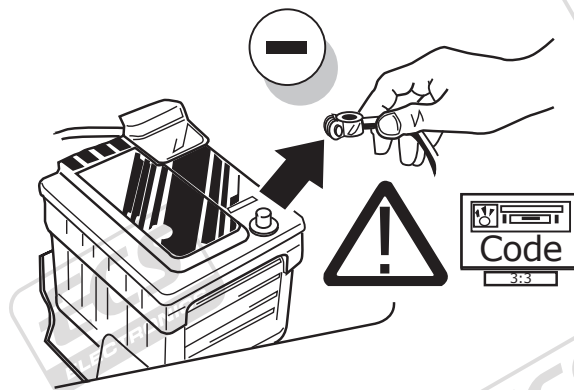
\* Reverse signal preparation  
 → **Pag. 10**



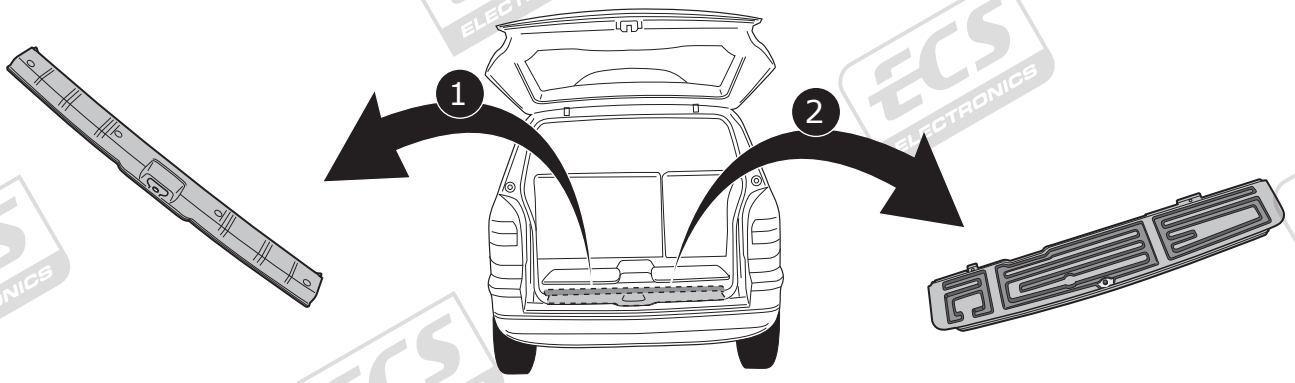
**ROUTING**



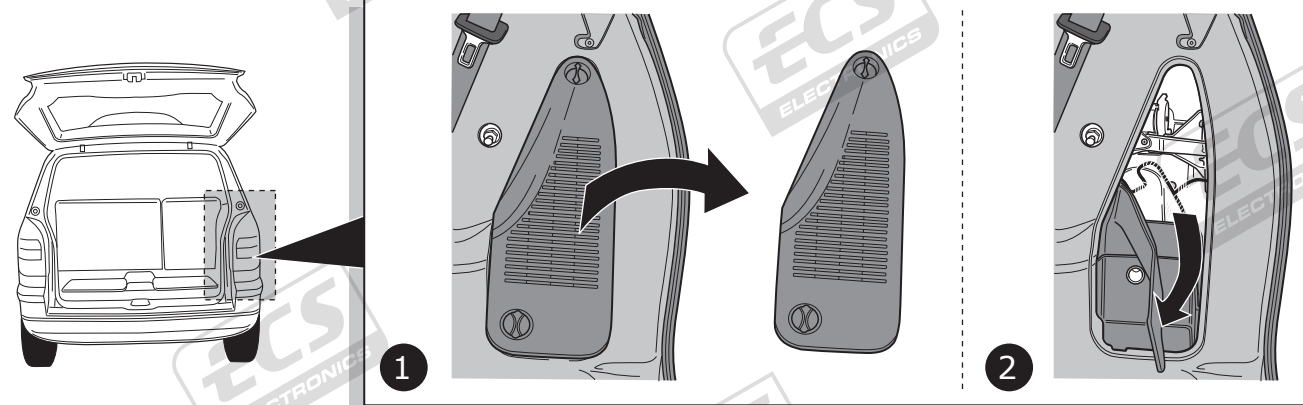
**1**



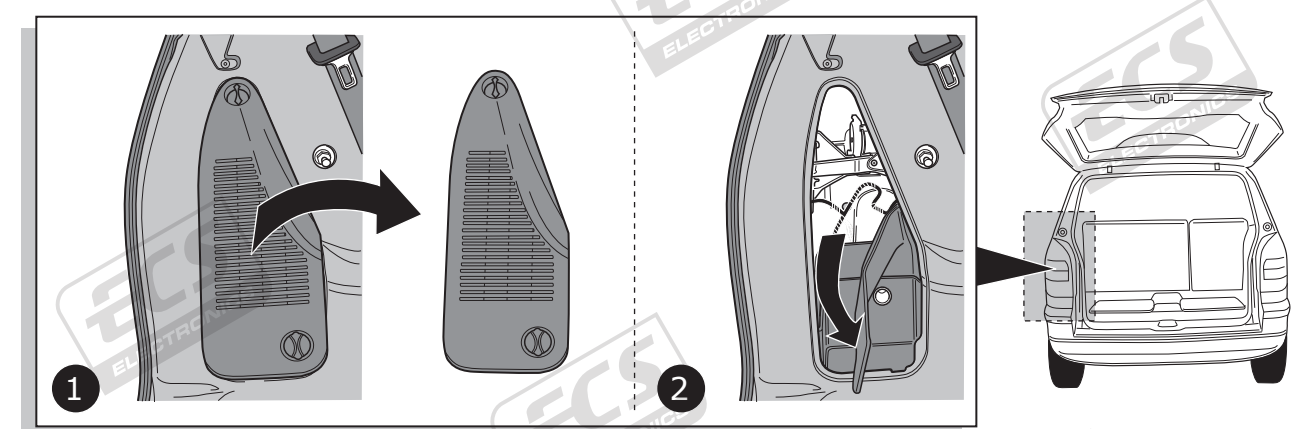
2



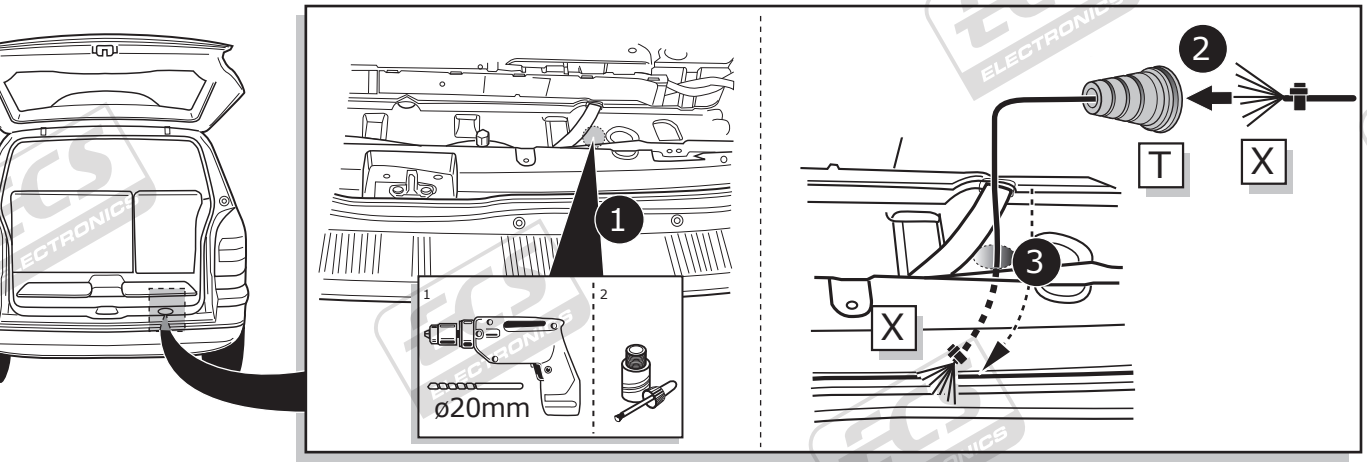
3



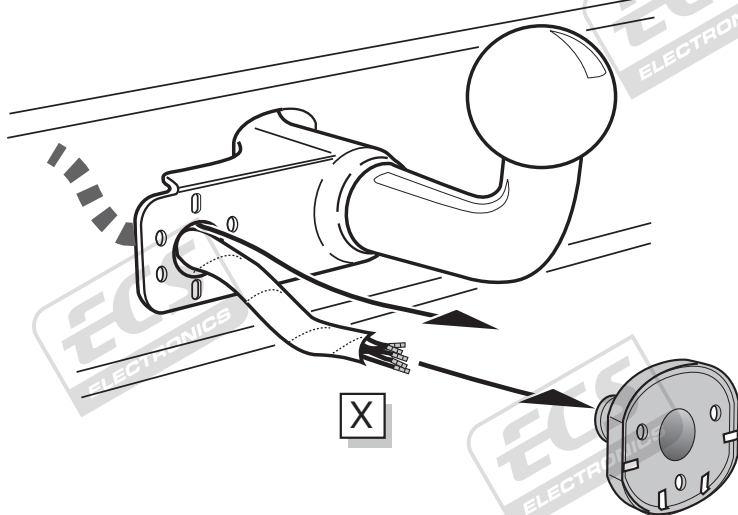
4



5



A



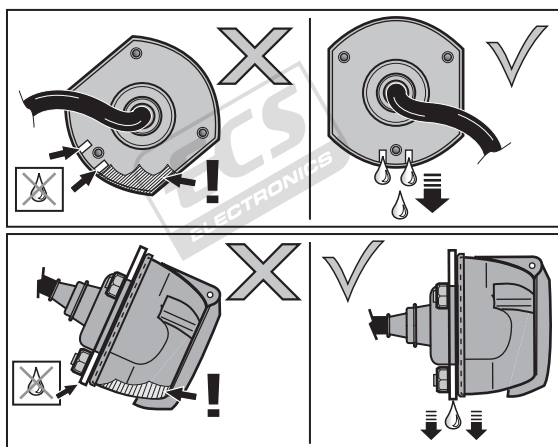
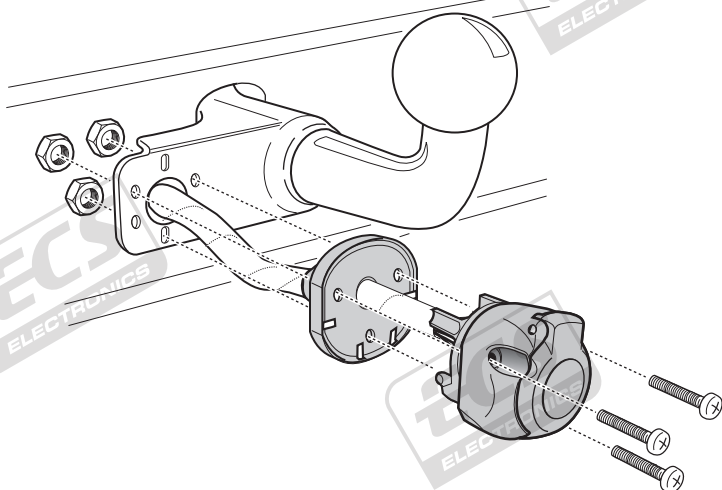
INFO

SOCKET CONNECTION

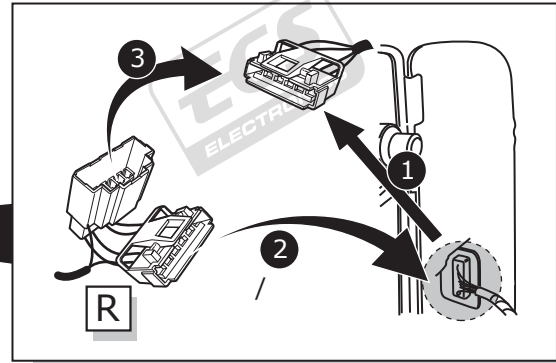
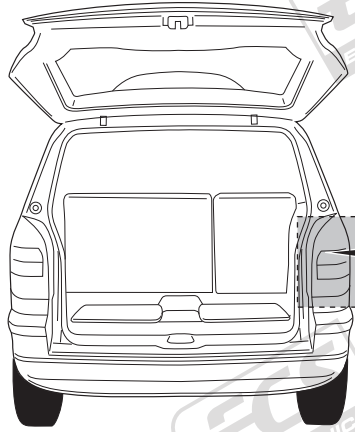


Pag. 9

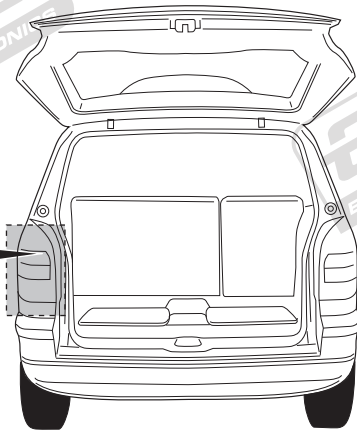
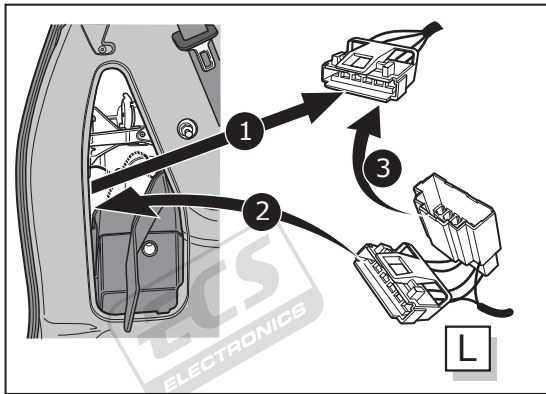
B



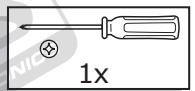
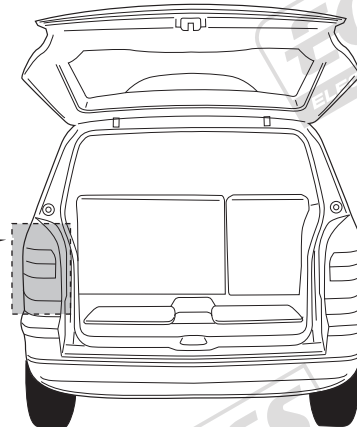
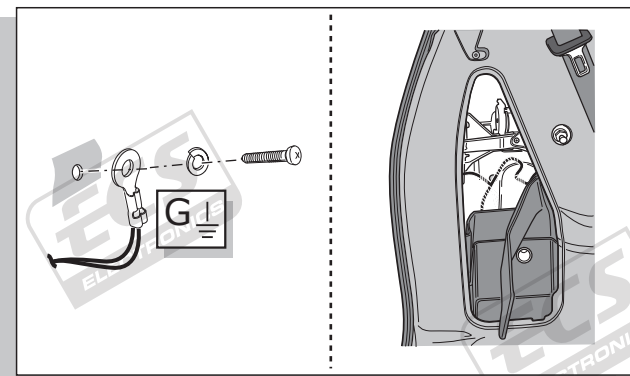
6



7

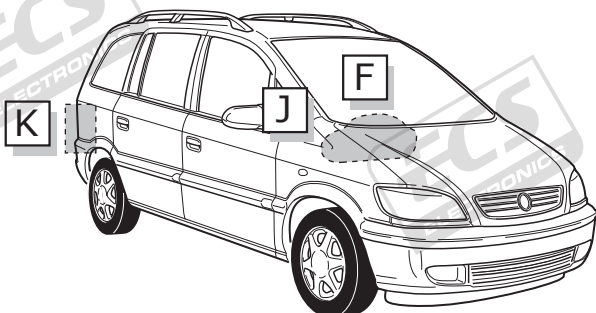


8

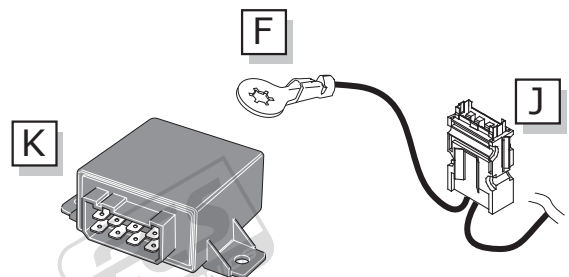


**INFO**

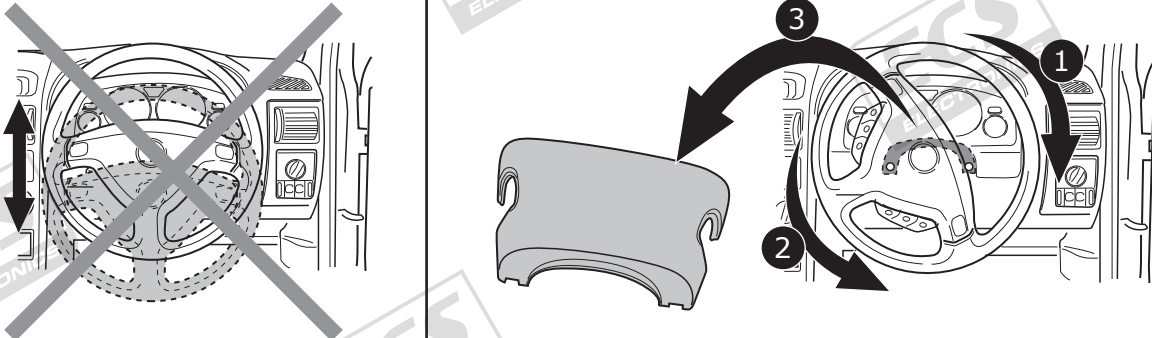
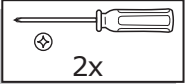
**With check control: contact your supplier for the UNI-013-C extension kit.**



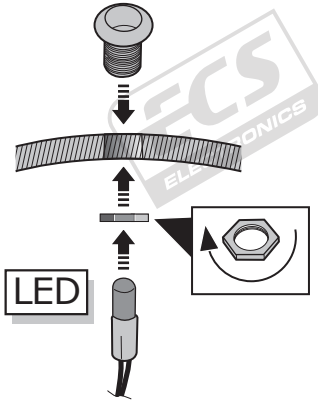
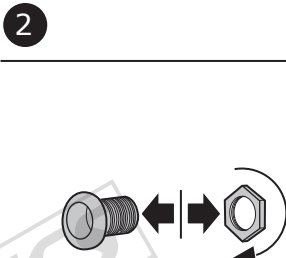
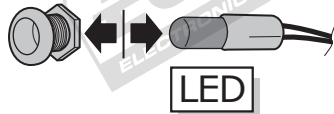
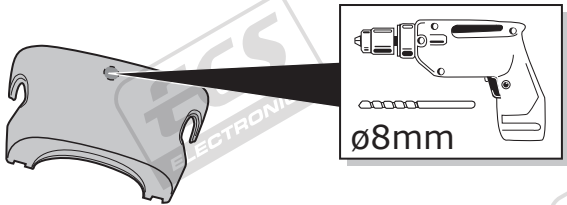
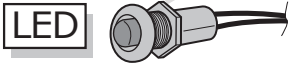
Extension kit for vehicles with check control.



9



10

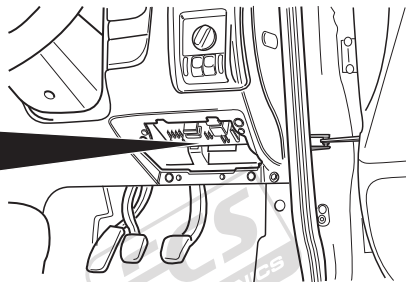
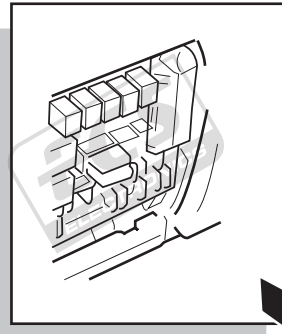


1

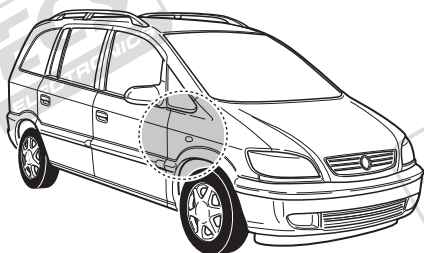
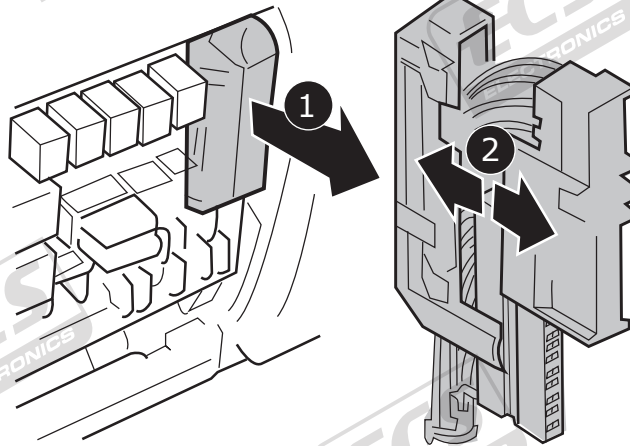
2

3

11



FUSEBOX



12

Pin 23

CE 94

1

2

3

A

B

Z

Z'

1

2

3

4

13

	Pos. 23	Action
<input type="checkbox"/> Clear	<input type="checkbox"/>	Fit:
<input checked="" type="checkbox"/> Occupied	Disconnect first <input checked="" type="checkbox"/>	Fit:

14

-

Code  
333



15

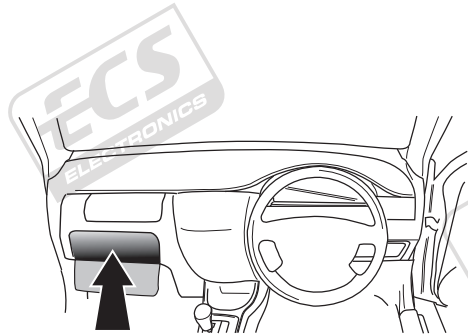


TEST ALL THE CIRCUITS WITH A TEST DEVICE WITH THE CORRECT POWER LOAD FOR EACH FUNCTION. A TEST DEVICE WITH LED'S CANNOT BE USED FOR THIS PURPOSE.

INFO

REINSTALL TRIM.

16



**User guide**



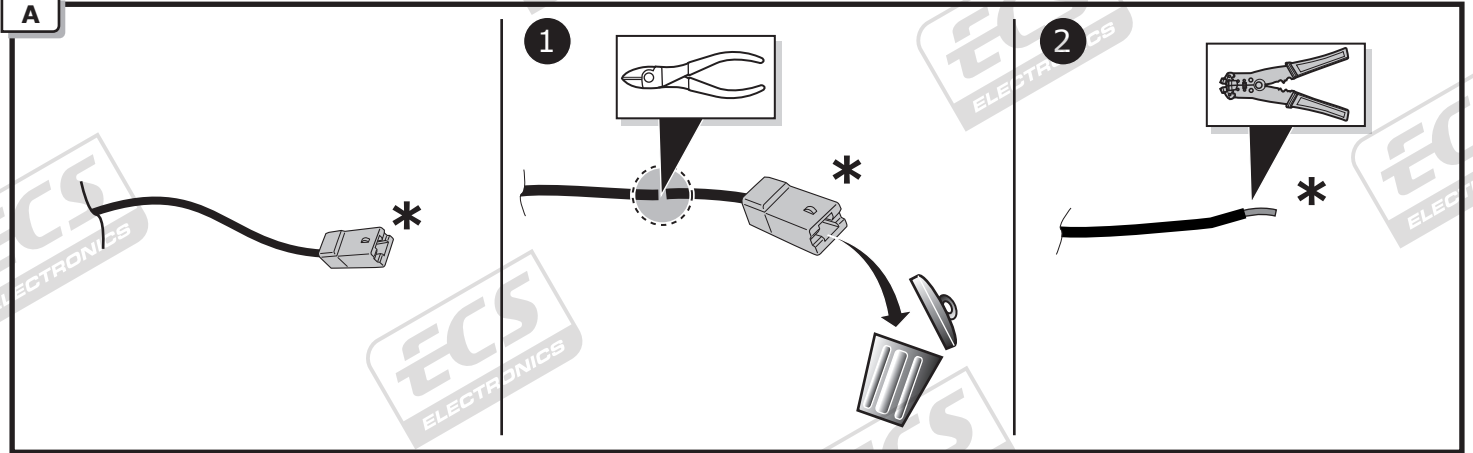
INFO

SOCKET CONNECTION

DIN/ISO 1724			$\pm 1-7$					
	1/L	2	3/31	4/R	5/58-R	6/54	7/58-L	8
Pmax	21W	2x21W		21W	52W	3x21W	52W	
Colour	Yellow	Blue	White	Green	Brown	Red	Black	Grey

# Reverse signal preparation

A



B

