

Nissan Qashqai (J11) 01/2014>>
Nissan X-Trail (T32) 05/2014>>

Partnr.: NI-115-DHU

- Fitting instructions electric wiring kit tow bar with 13-P socket up to DIN/ISO Norm 11446.
- We would expressly point out that assembly not carried out properly by a competent installer will result in cancellation of any right to damage compensation, in particular those arising by virtue of the product liability act.
- Contents of these kits and their fitting manuals are subject to alteration without notice, please ensure that these instructions are read and fully understood before commencing installation.
- Do not overload circuits; the maximum loads per connection are detailed in this manual.
- Attention! Before Installation, please read this manual carefully and inform your customer to consult the vehicle owners manual to check for any vehicle modifications required before towing.
- In the event of functional problems, troubleshooting must be limited to about 0.5 hours, contact the technical support:
t.skinner@ecs-electronics.com / 07440 202 052.

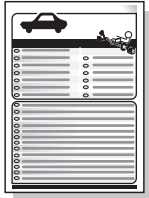
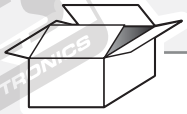
TECHNICAL SUPPORT

CALL
07440
202
052

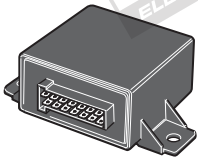
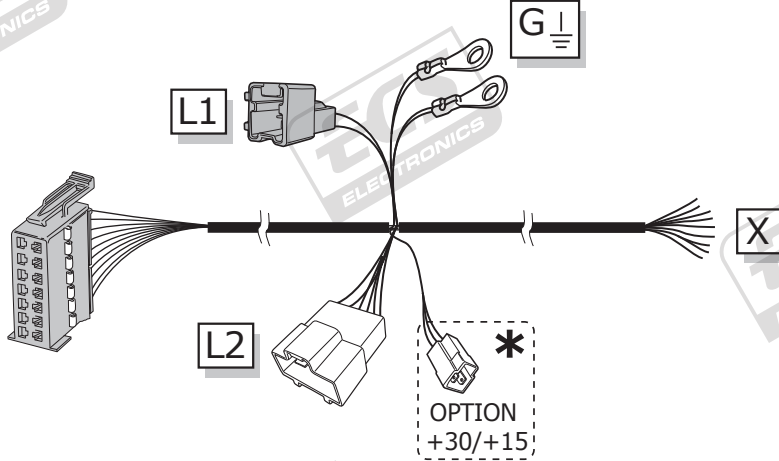
ECS ELECTRONICS

MONDAY TO FRIDAY
08.00 - 11.00 am
12.00 - 05.00 pm
t.skinner@ecs-electronics.com
www.ecs-electronicsuk.co.uk

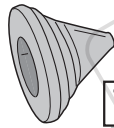
Part list



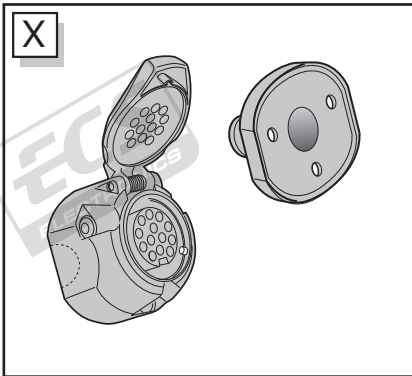
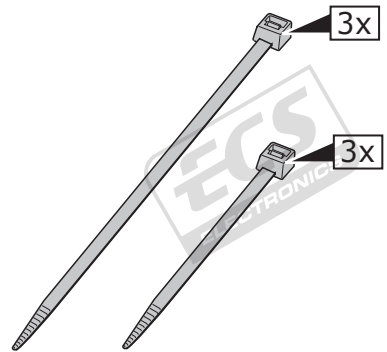
M



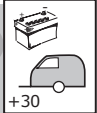
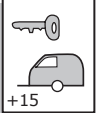
M

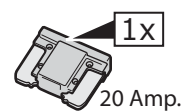
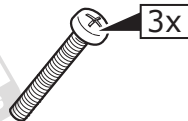


T



* OPTION +30/+15 preparation for

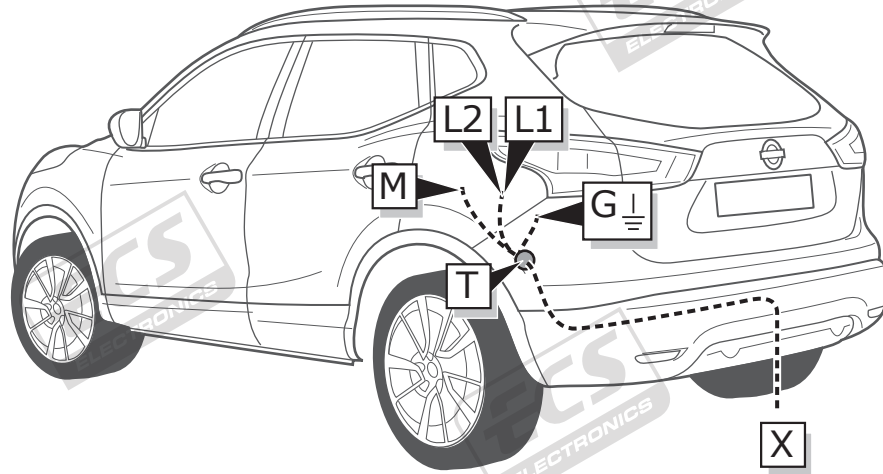
 +30	 +15
Brown/White	Red



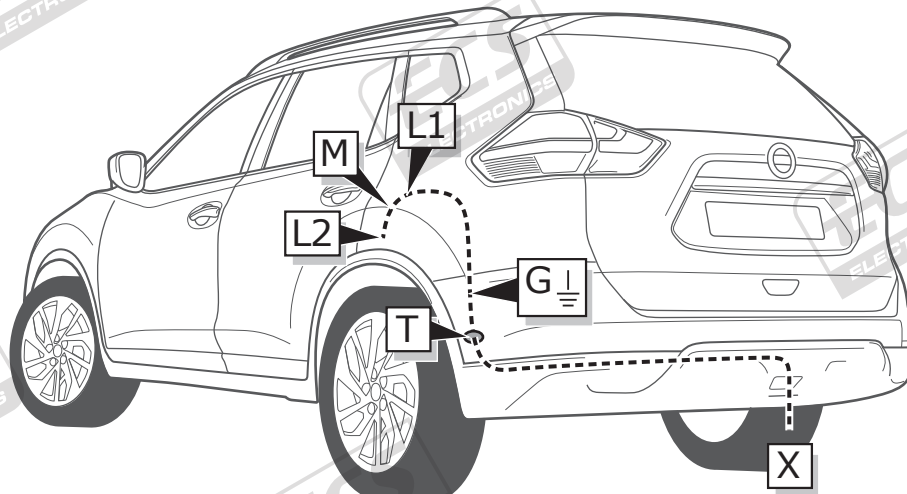
20 Amp.

ROUTING

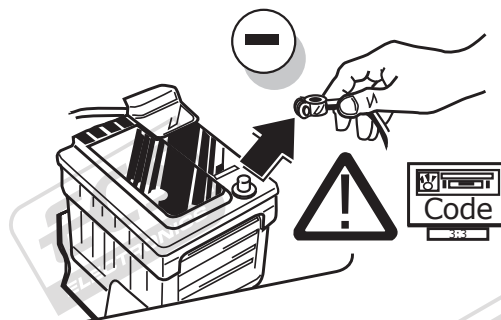
Qashqai



X-Trail

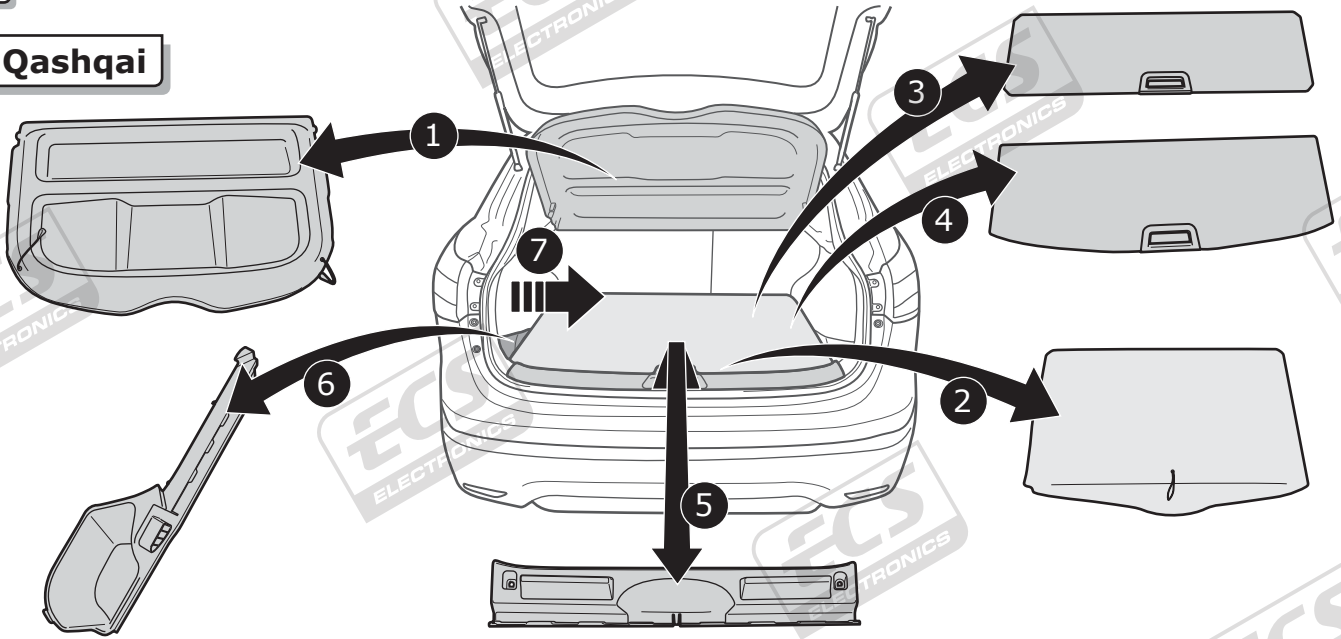


1



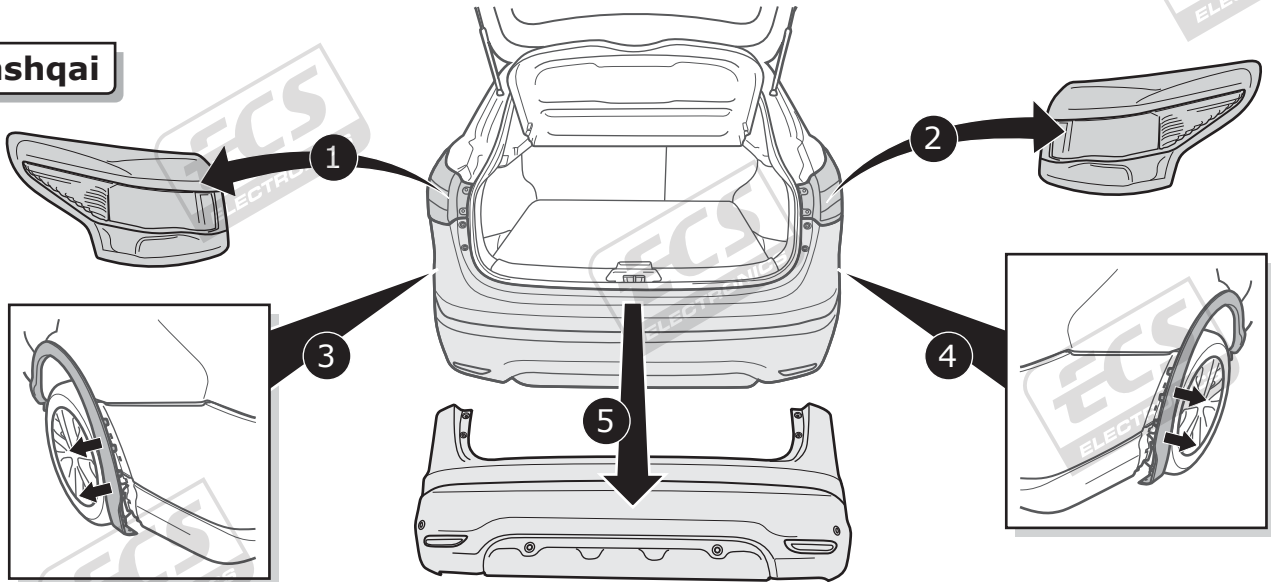
2

Qashqai



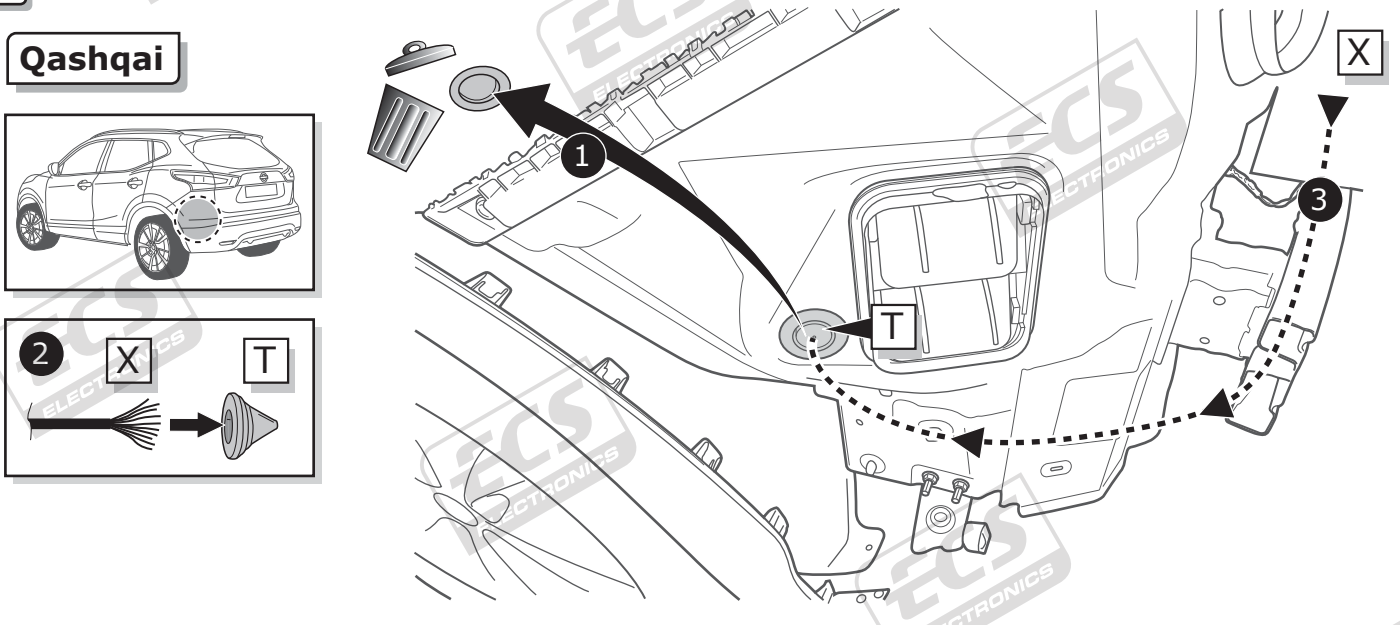
3

Qashqai

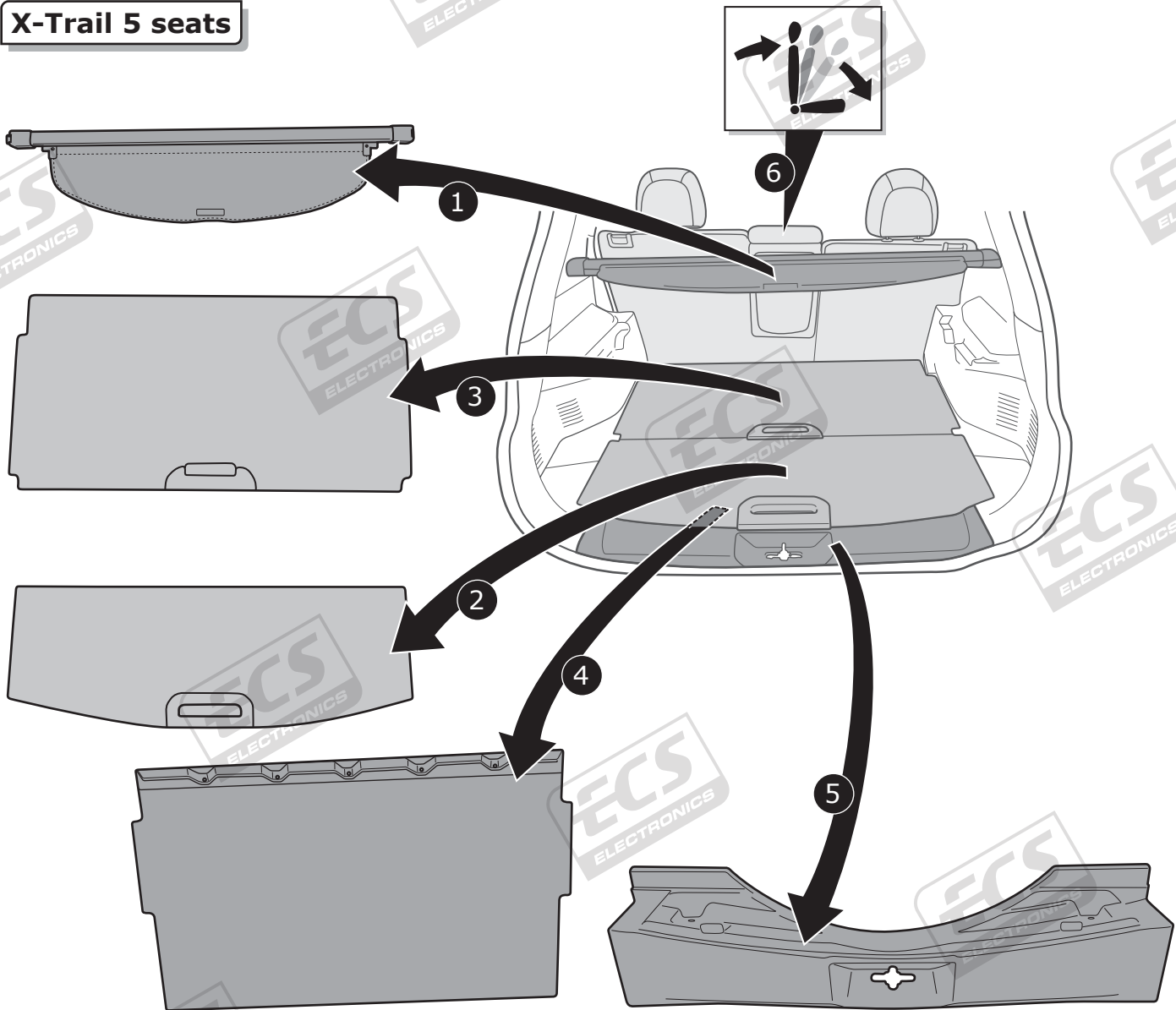


4

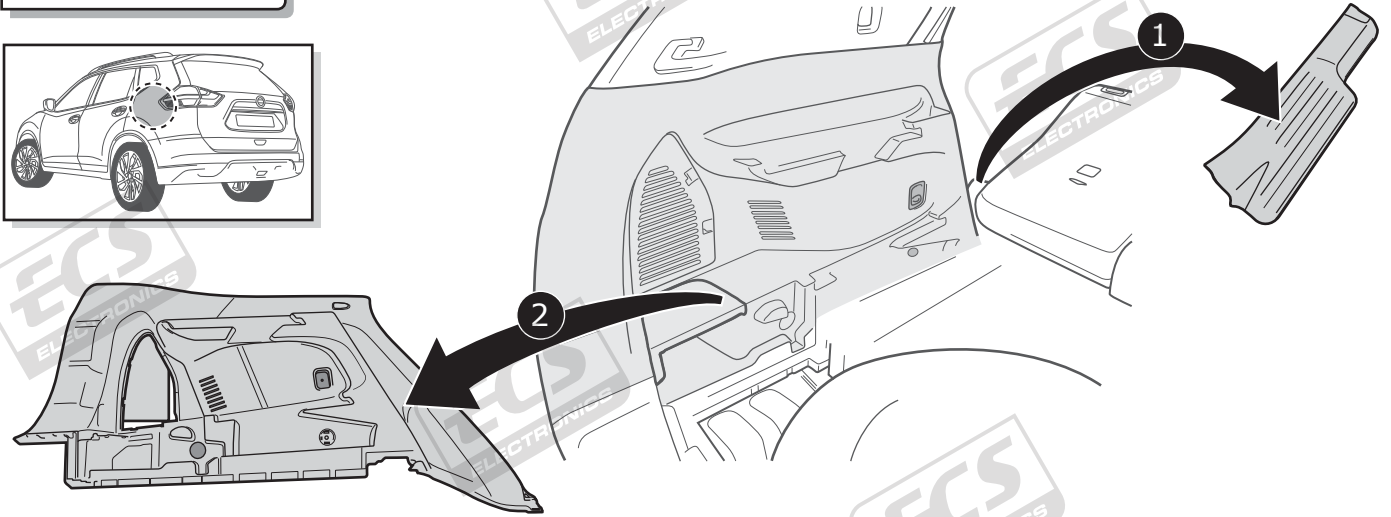
Qashqai



X-Trail 5 seats

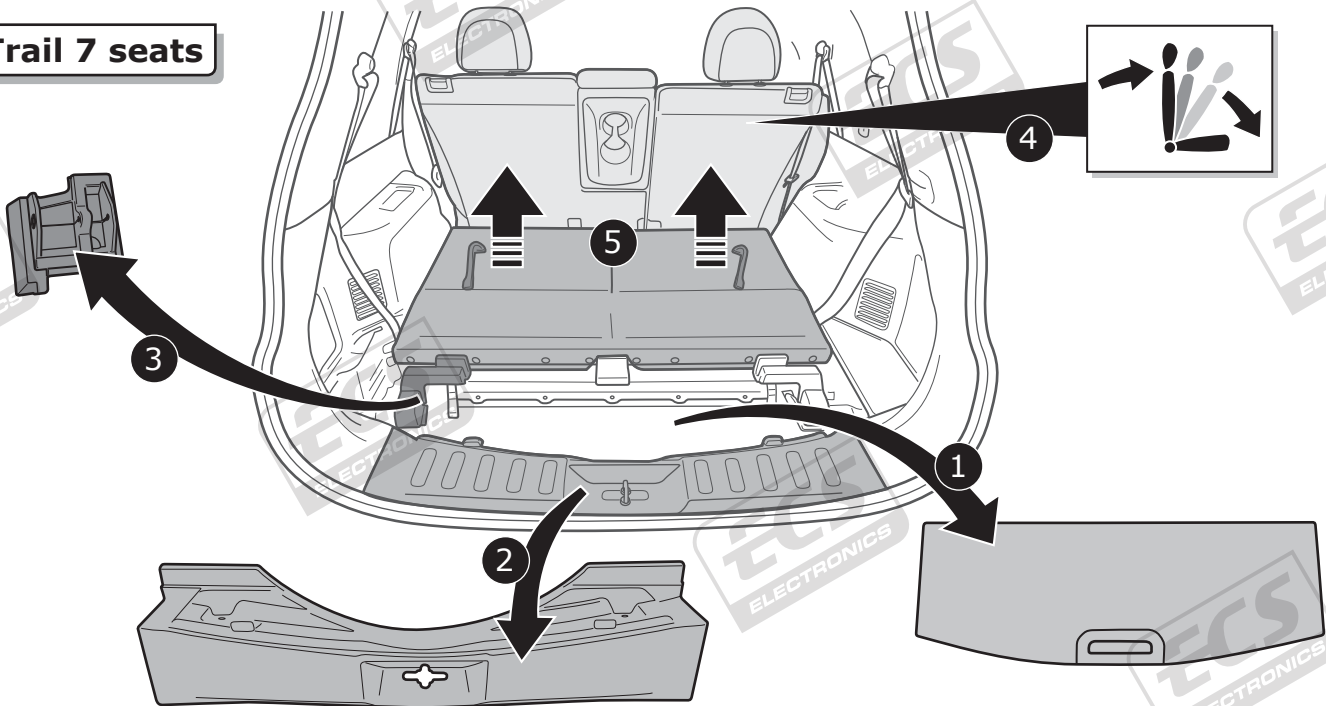


X-Trail 5 seats



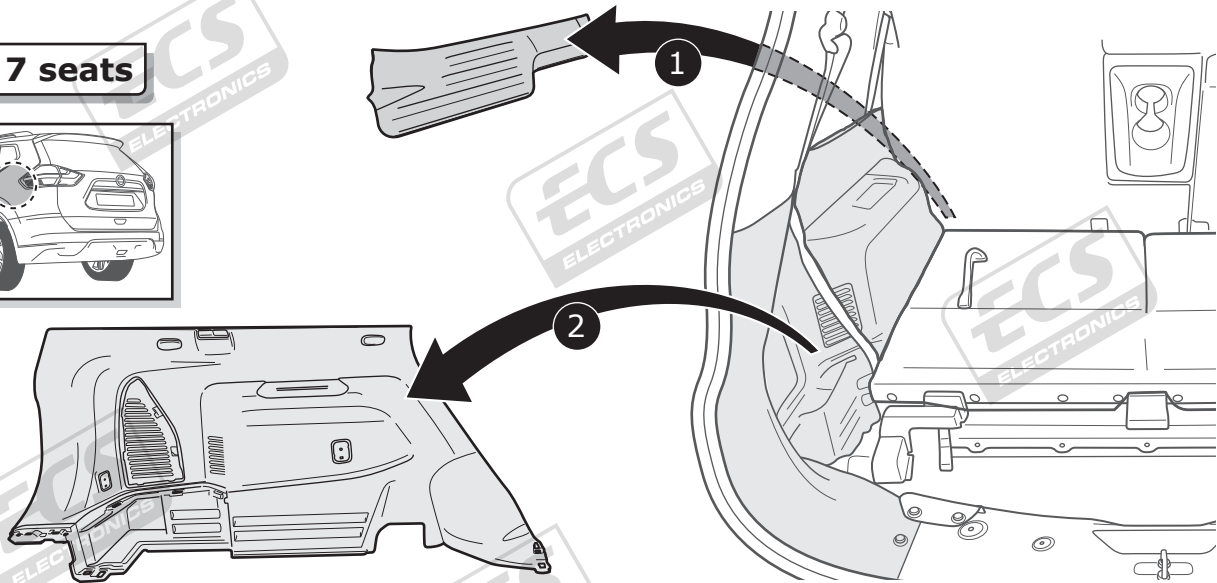
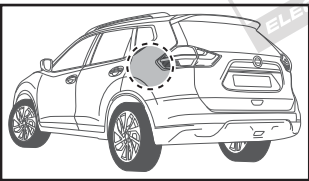
7

X-Trail 7 seats



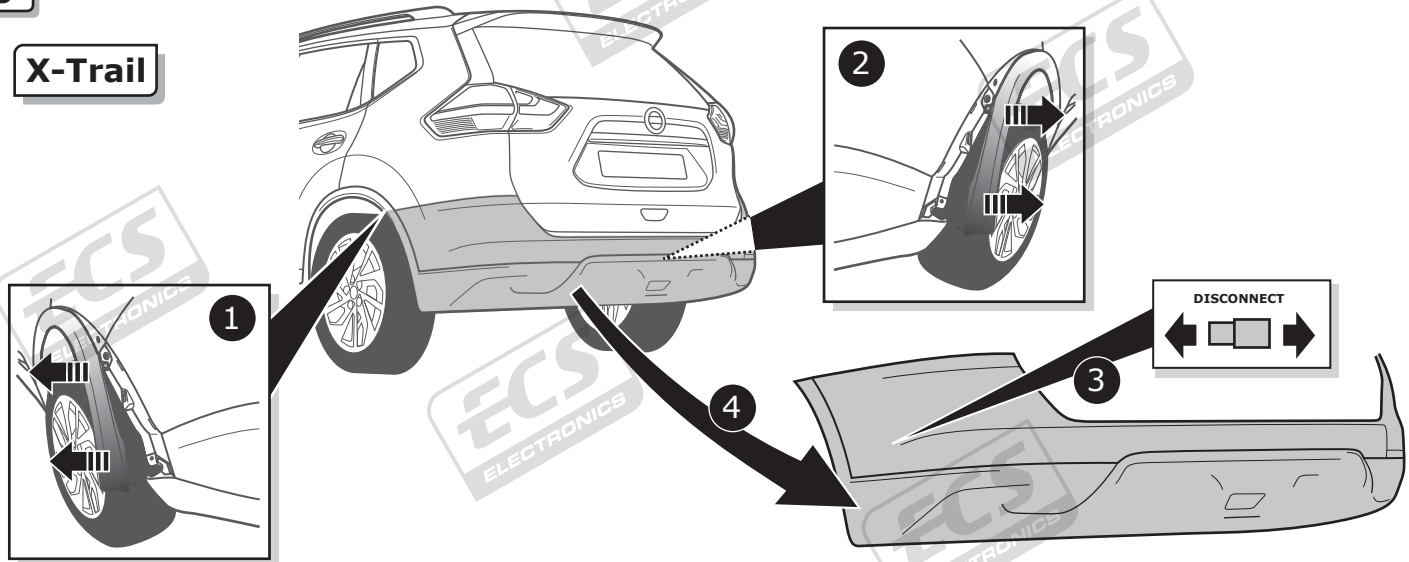
8

X-Trail 7 seats

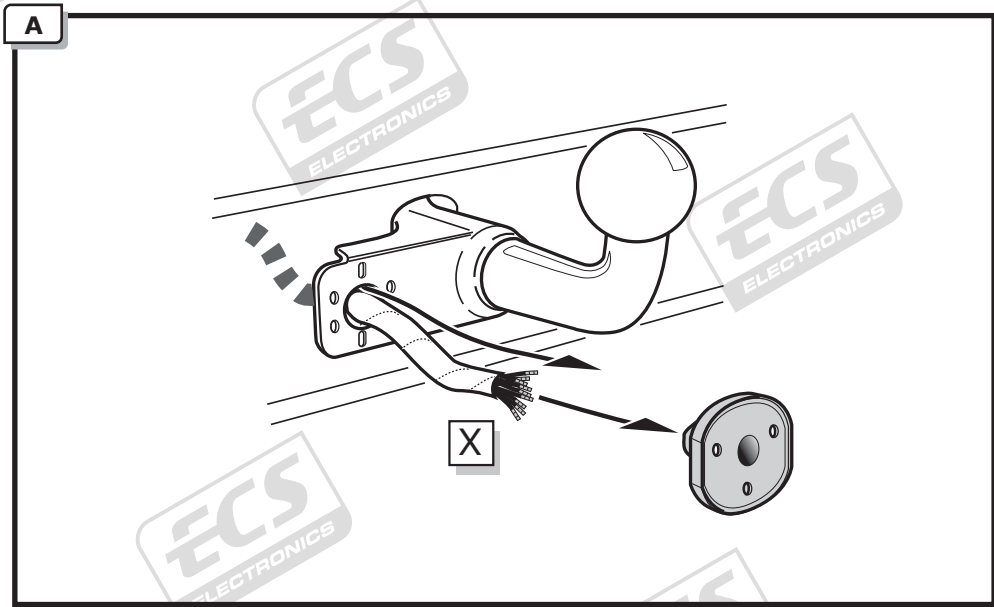
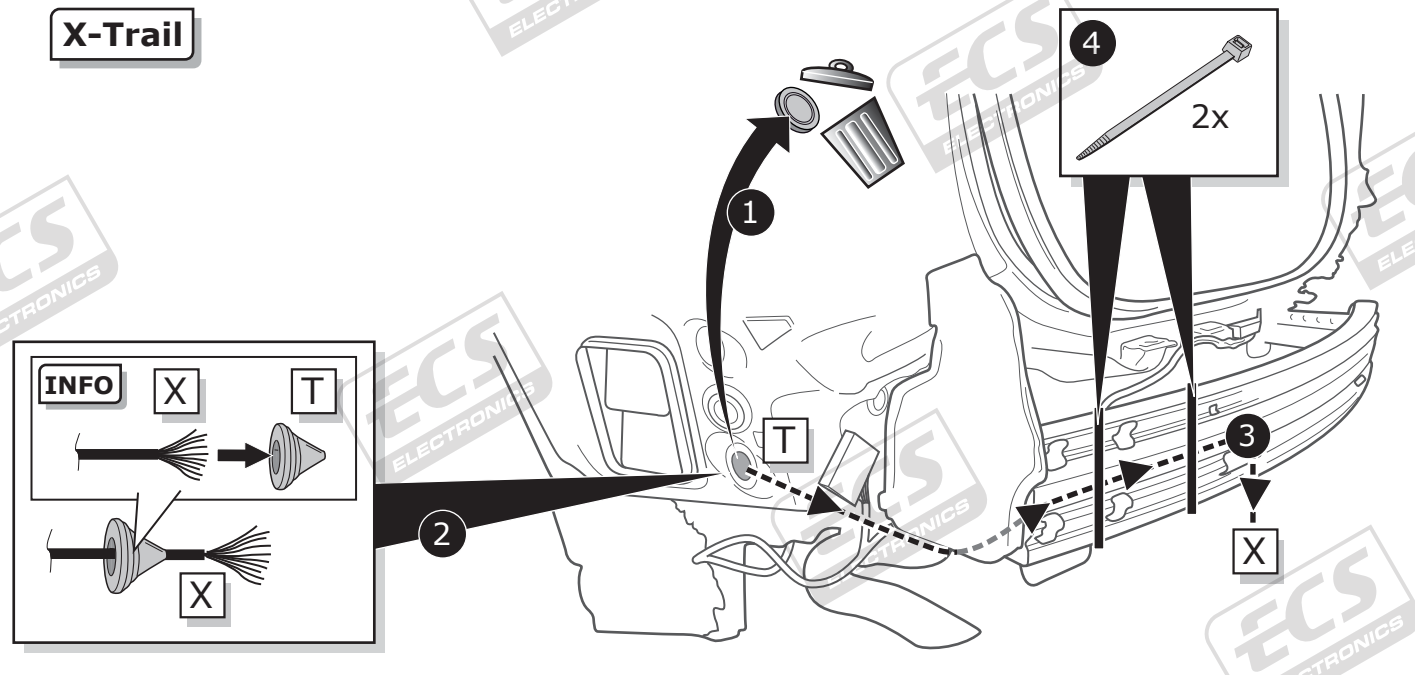


9

X-Trail




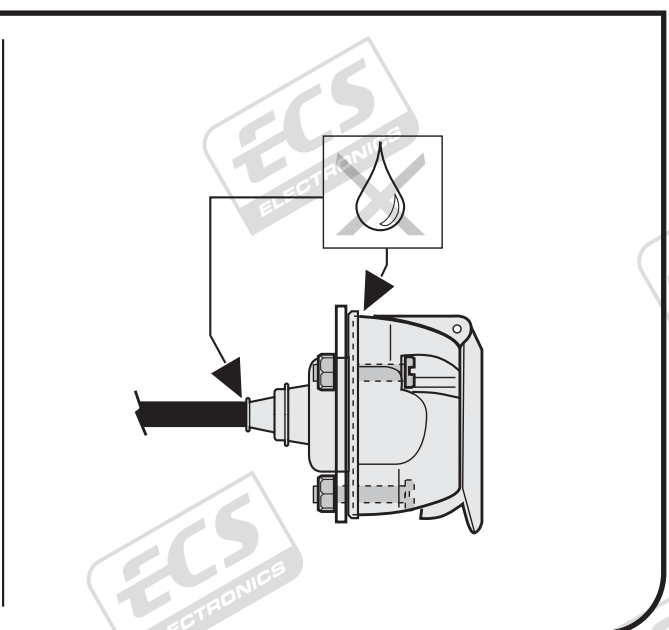
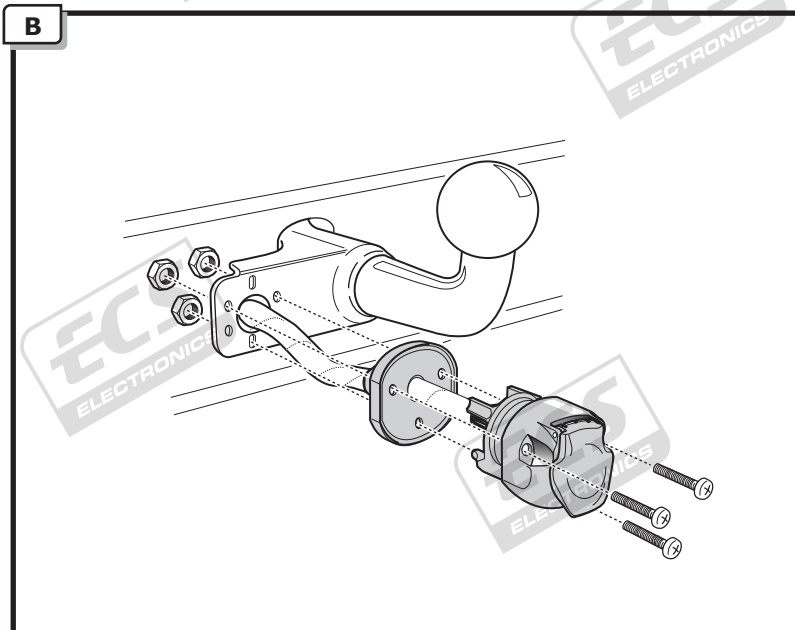
X-Trail



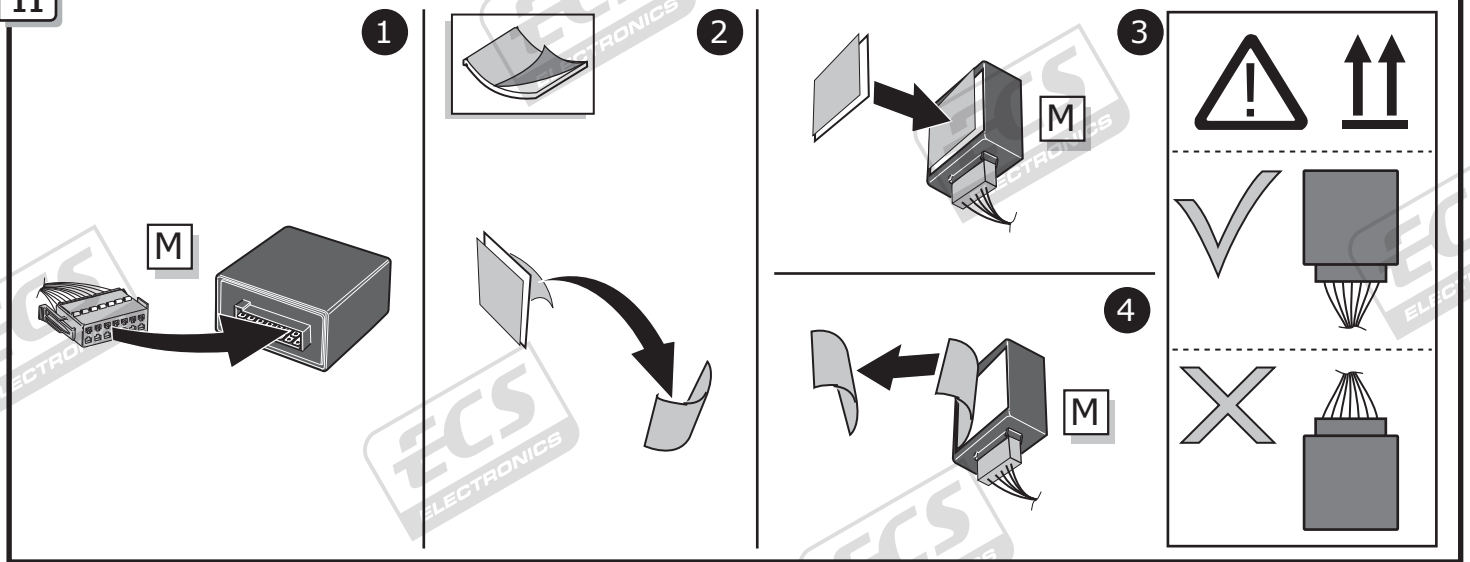
INFO

SOCKET CONNECTION

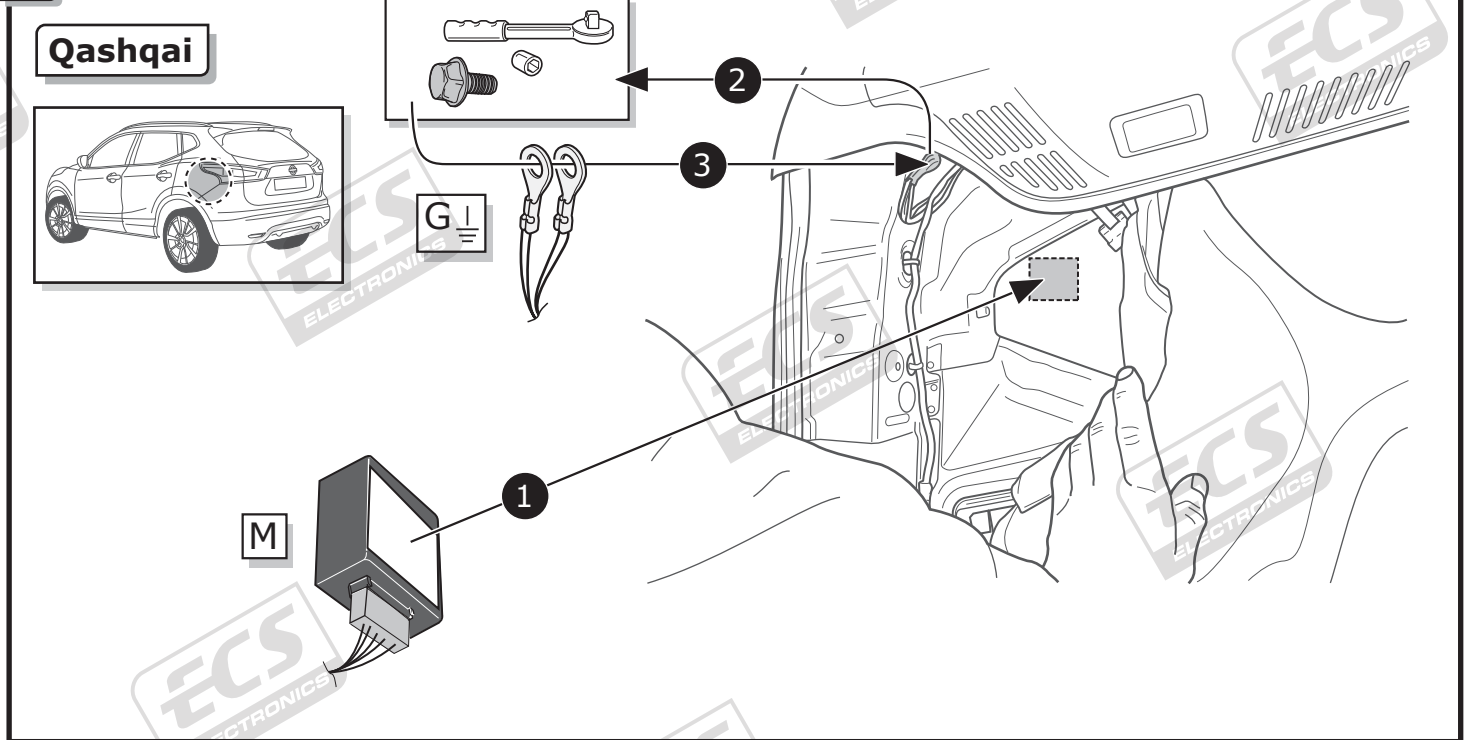
 **Pag. 12**



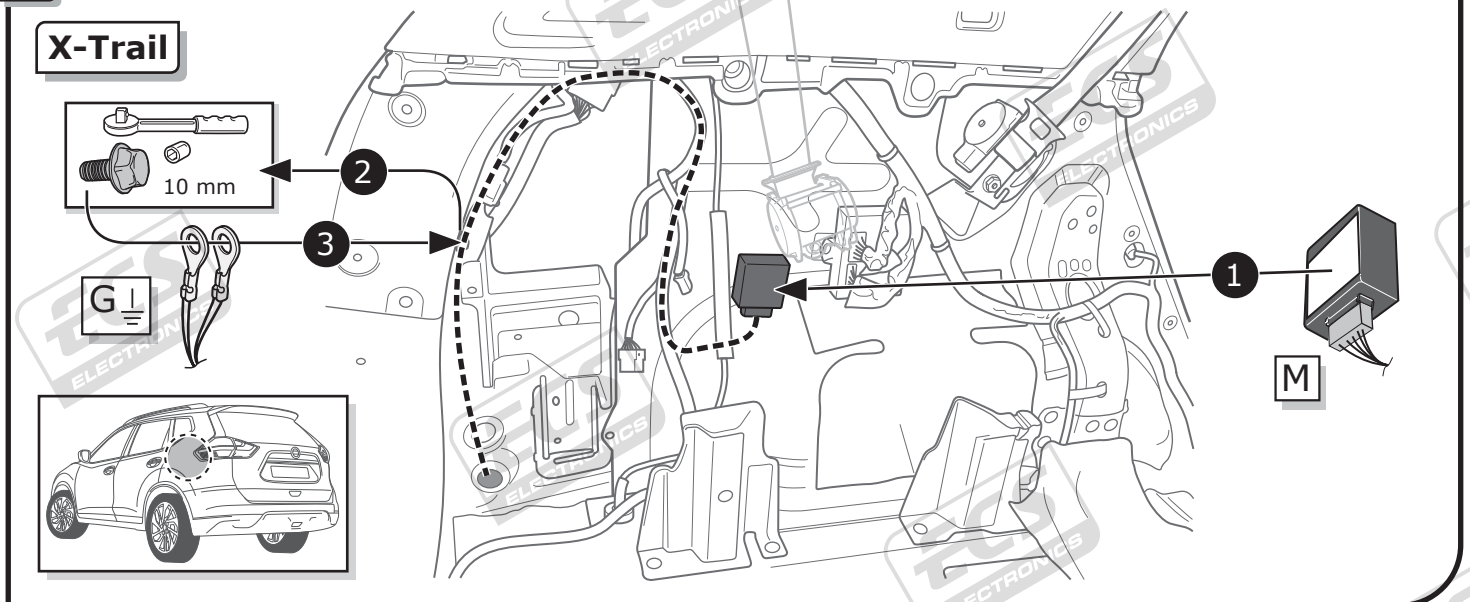
11



12

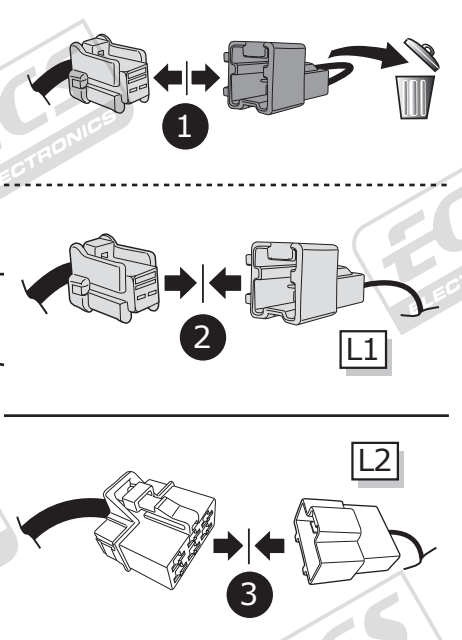
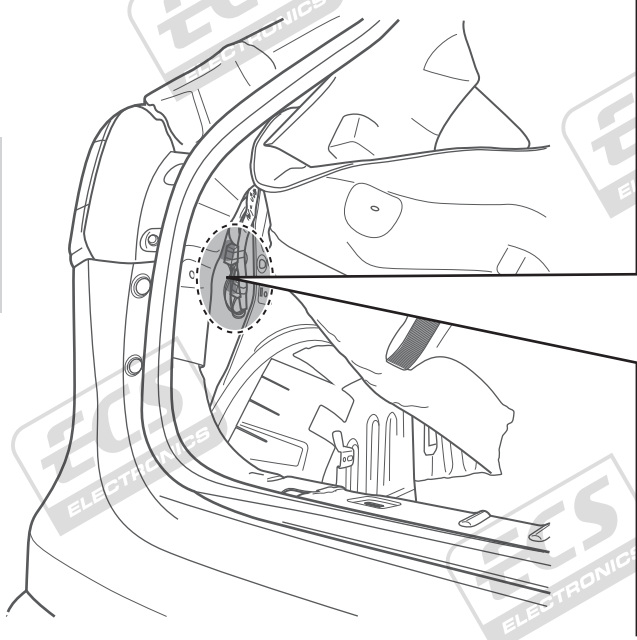
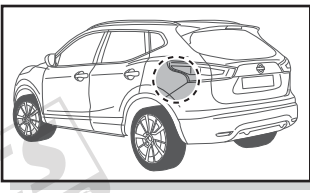


13



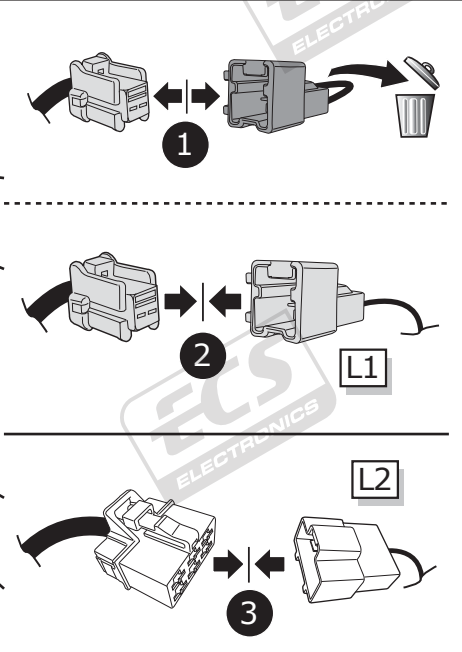
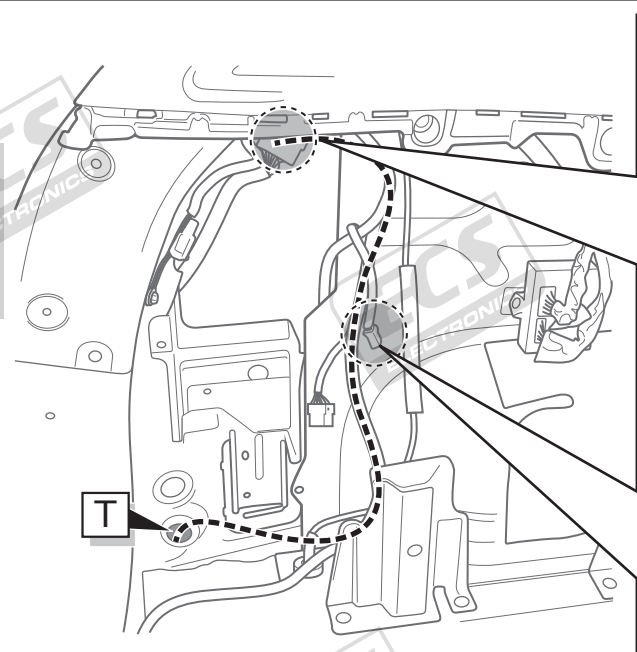
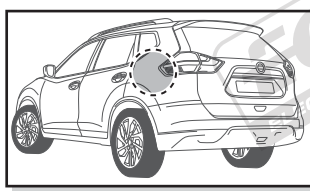
14

Qashqai



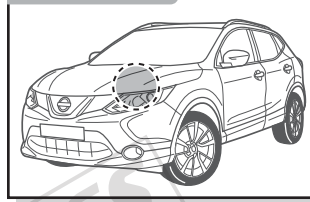
15

X-Trail

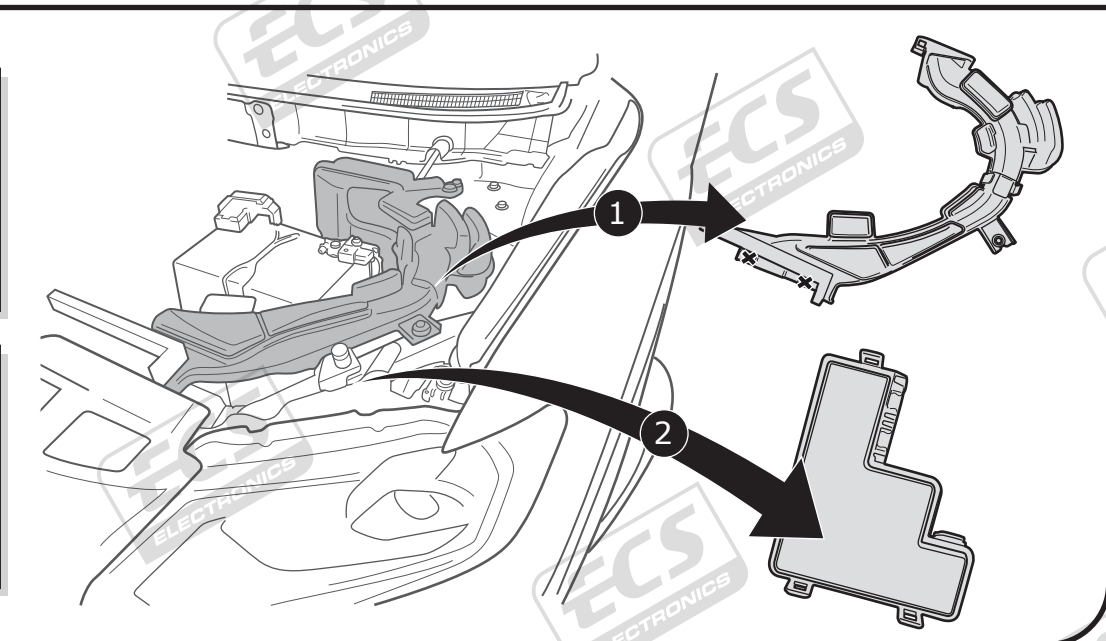
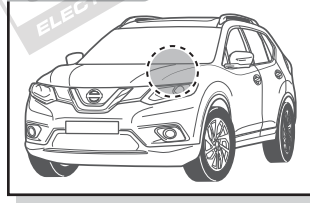


16

Qashqai

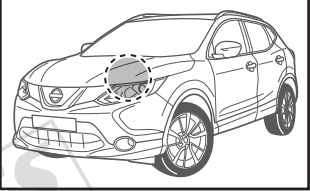


X-Trail

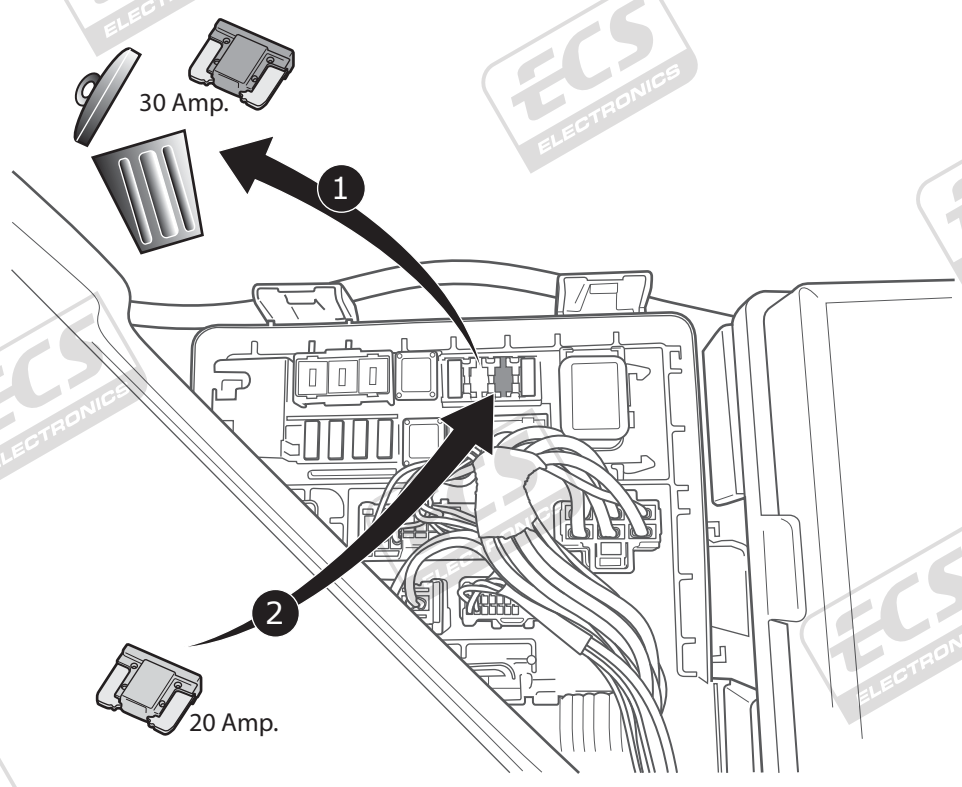
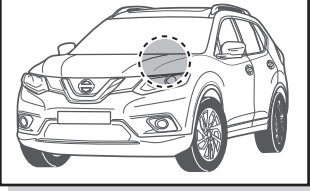


17

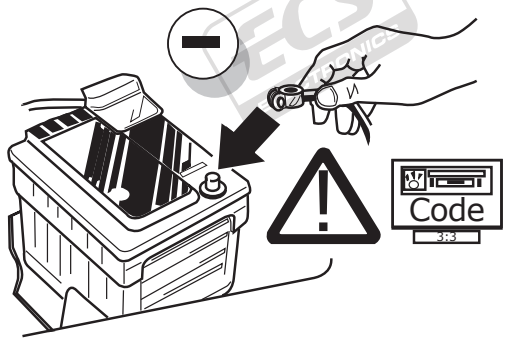
Qashqai



X-Trail

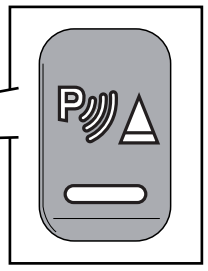
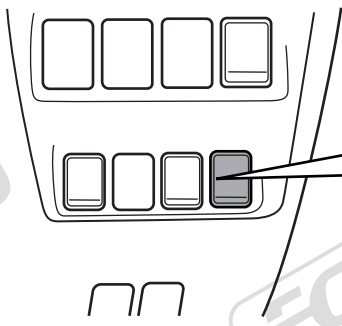
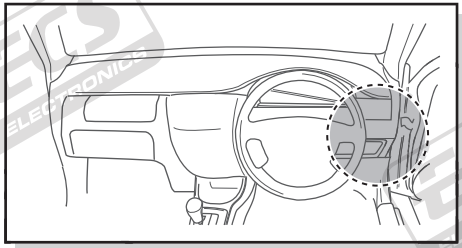
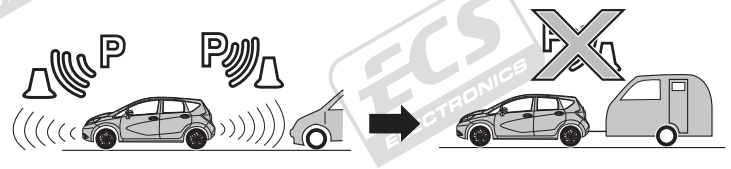


18

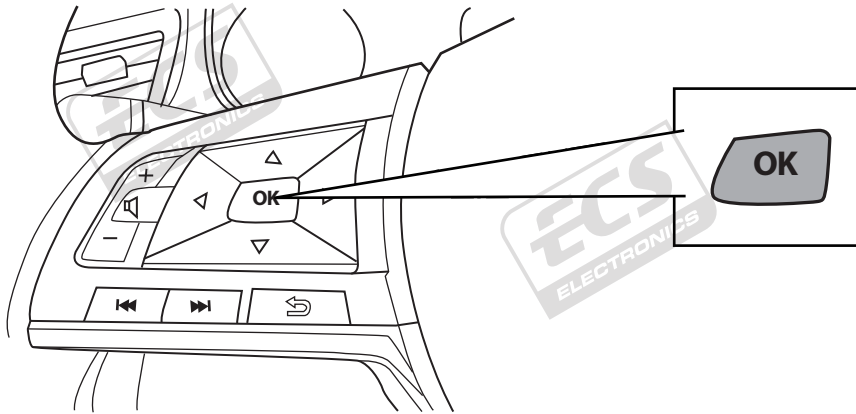
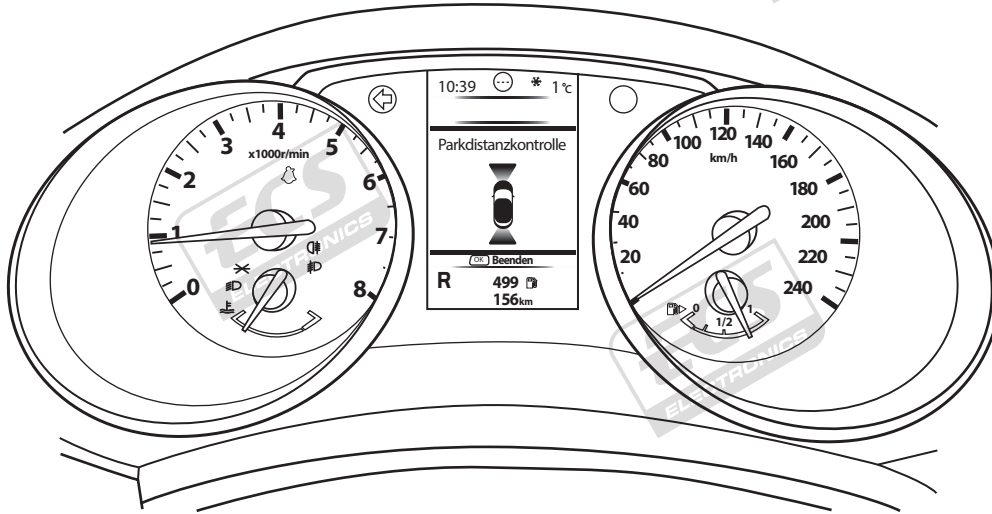
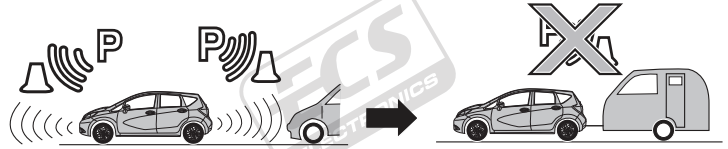


19

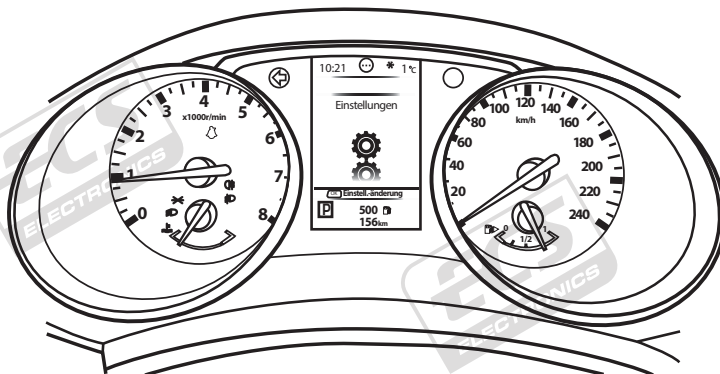
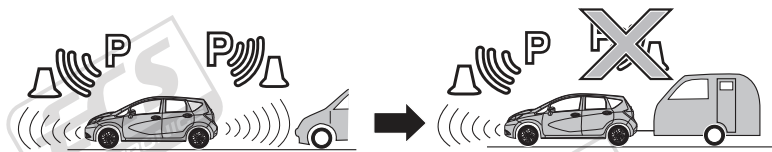
Option 1



Option 2



Option 3



Einstellungen/
settings

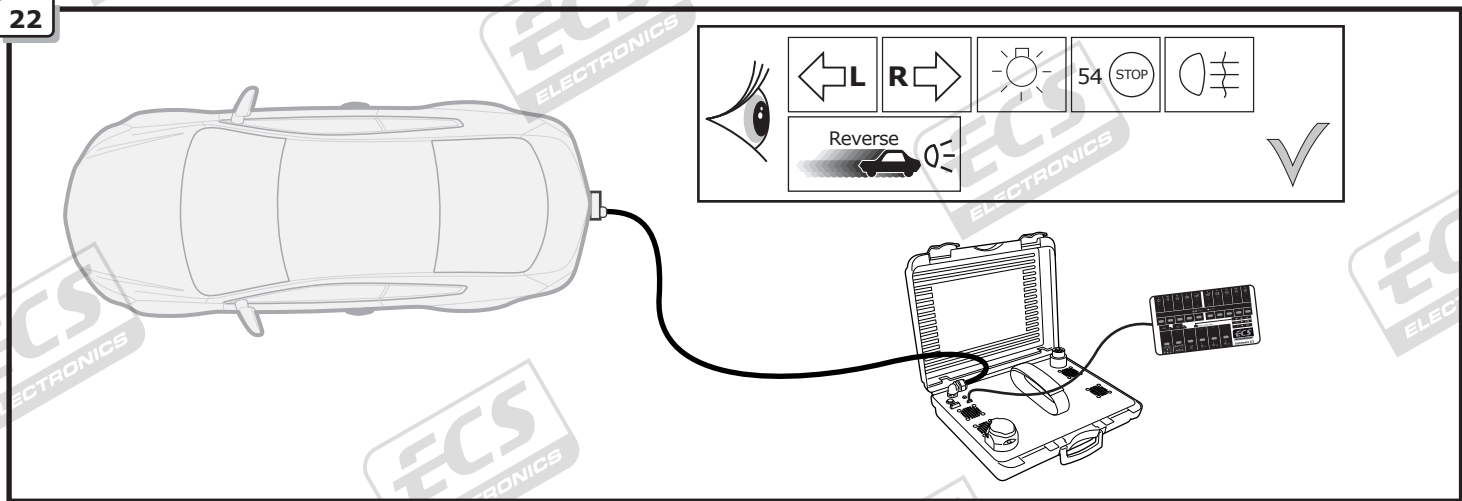
Fahrerassistenz/
driver assistance

Parkhilfe/
parking assistant

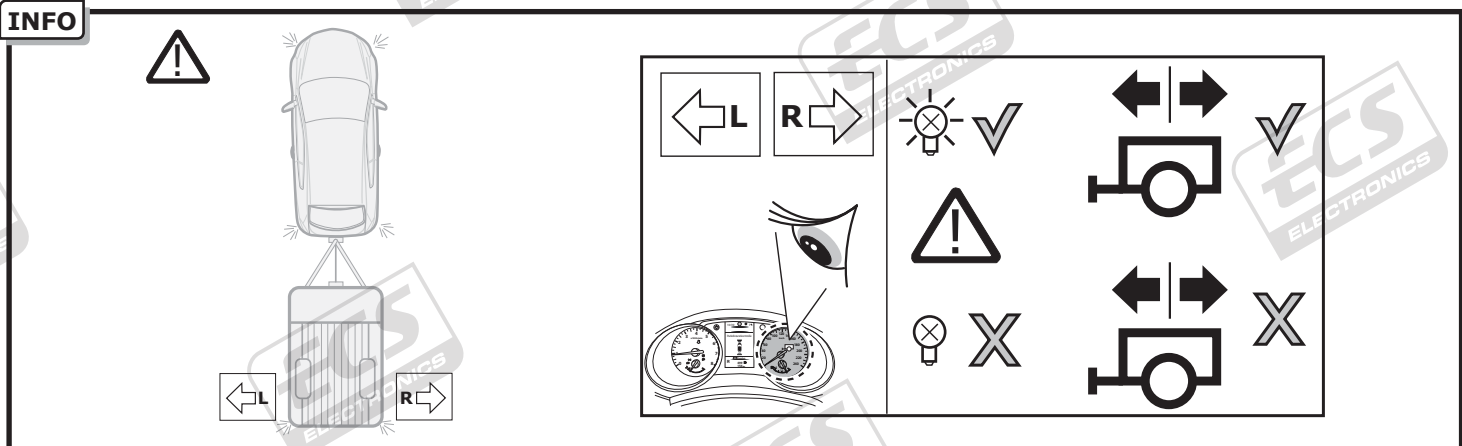
Sensor Heck ausschalten/
disable rear-sensor



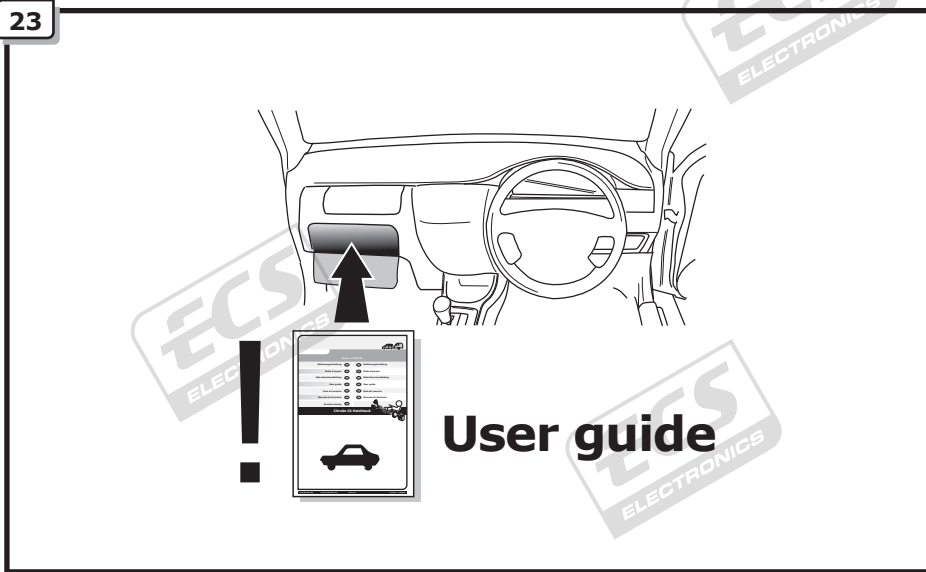
22



INFO



23



TECHNICAL SUPPORT

CALL 07440 202 052

ECS ELECTRONICS

MONDAY TO FRIDAY
08.00 - 11.00 am
12.00 - 05.00 pm
t.skinner@ecs-electronics.com
www.ecs-electronicsuk.co.uk

INFO

SOCKET CONNECTION

DIN/ISO 11446	← L	Reverse	⏏ 1-8	→ R	☀ 5/58-R	⊙ 6/54	☀ 7/58-L	Reverse	30+ 9	15+ 10	⏏ 10	— 12	⏏ 9
	1/L	2	3/31	4/R	5/58-R	6/54	7/58-L	8	9	10	11	12	13
Pmax	21W	2x21W		21W	52W	3x21W	52W	2x21W	180W/15Amp	180W/15Amp			
Colour	Yellow	Blue	White	Green	Brown	Red	Black	Black/Red	Brown/White	Red	White	-	White
						1,00 mm ²				2,50 mm ²			