

**Nissan Qashqai (J11) 01/2014>>**  
**Nissan X-Trail (T32) 05/2014>>**

**Partnr.: NI-115-BHU**

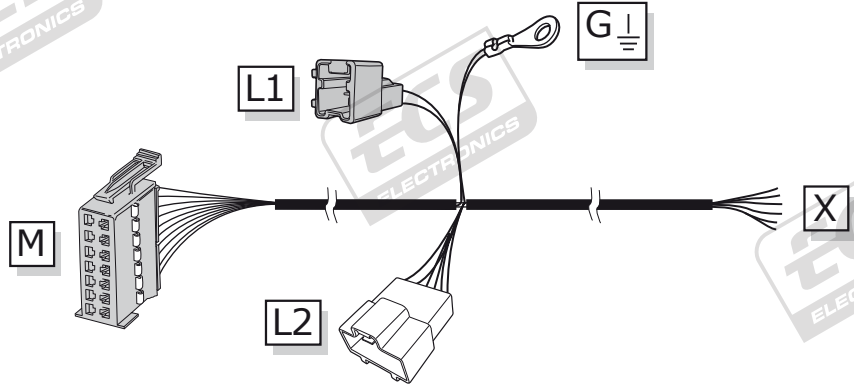
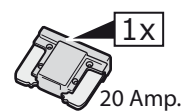
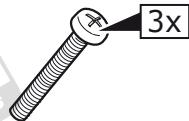
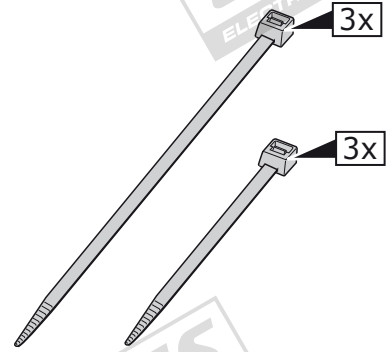
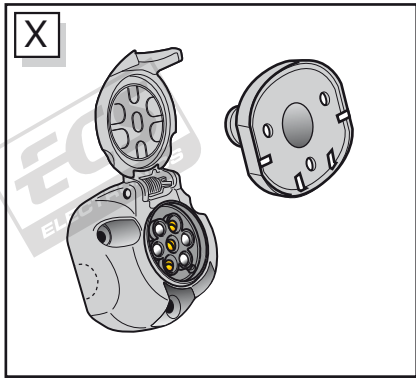
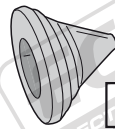
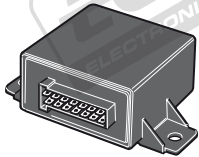
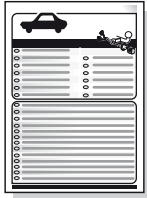
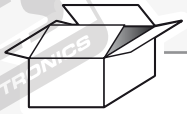
- Fitting instructions electric wiring kit tow bar with 12-N socket up to DIN/ISO Norm 1724.
- We would expressly point out that assembly not carried out properly by a competent installer will result in cancellation of any right to damage compensation, in particular those arising by virtue of the product liability act.
- Contents of these kits and their fitting manuals are subject to alteration without notice, please ensure that these instructions are read and fully understood before commencing installation.
- Do not overload circuits; the maximum loads per connection are detailed in this manual.
- Attention! Before Installation, please read this manual carefully and inform your customer to consult the vehicle owners manual to check for any vehicle modifications required before towing.
- In the event of functional problems, troubleshooting must be limited to about 0.5 hours, contact the technical support:  
[t.skinner@ecs-electronics.com](mailto:t.skinner@ecs-electronics.com) / 07440 202 052.

**TECHNICAL SUPPORT**

**CALL**  
**07440**  
**202**  
**052**

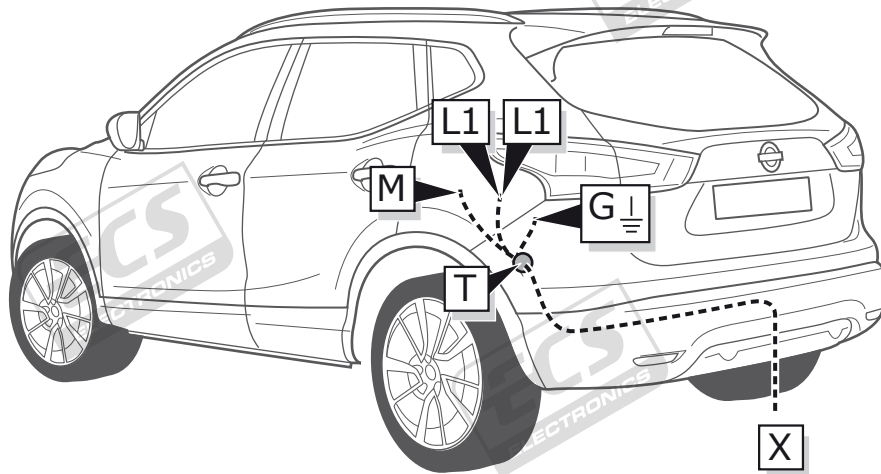
**ECS ELECTRONICS**  
MONDAY TO FRIDAY  
08.00 - 11.00 am  
12.00 - 05.00 pm  
[t.skinner@ecs-electronics.com](mailto:t.skinner@ecs-electronics.com)  
[www.ecs-electronicsuk.co.uk](http://www.ecs-electronicsuk.co.uk)

# Part list

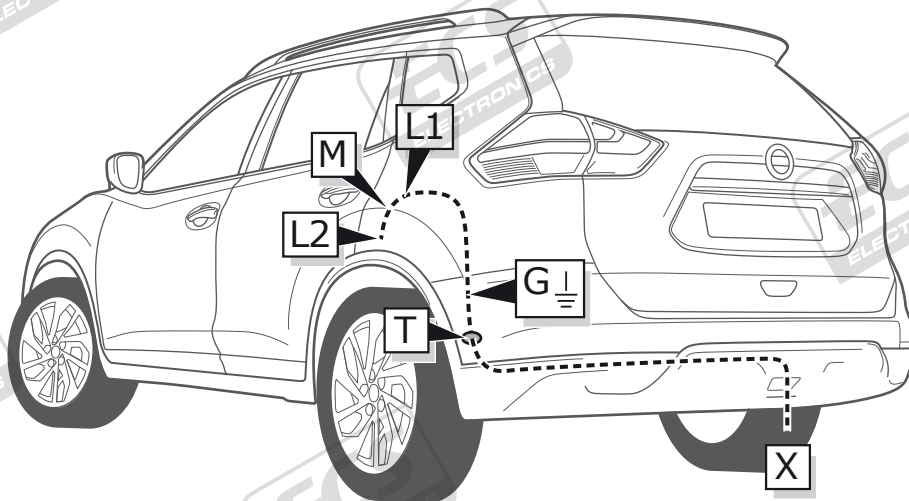


**ROUTING**

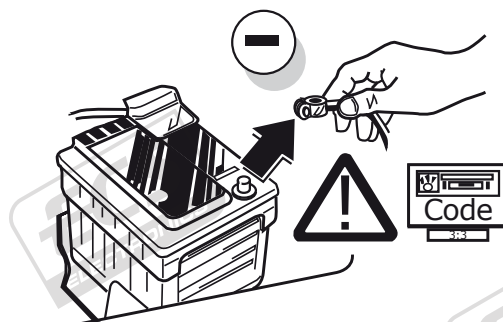
**Qashqai**



**X-Trail**

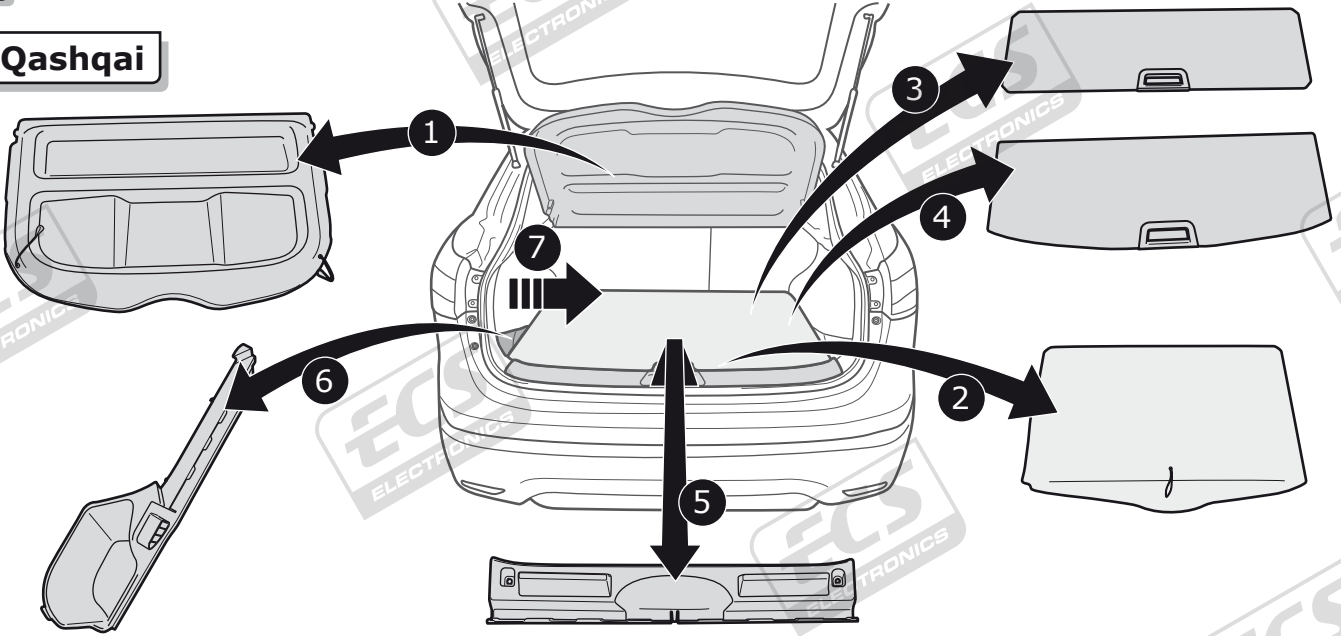


**1**



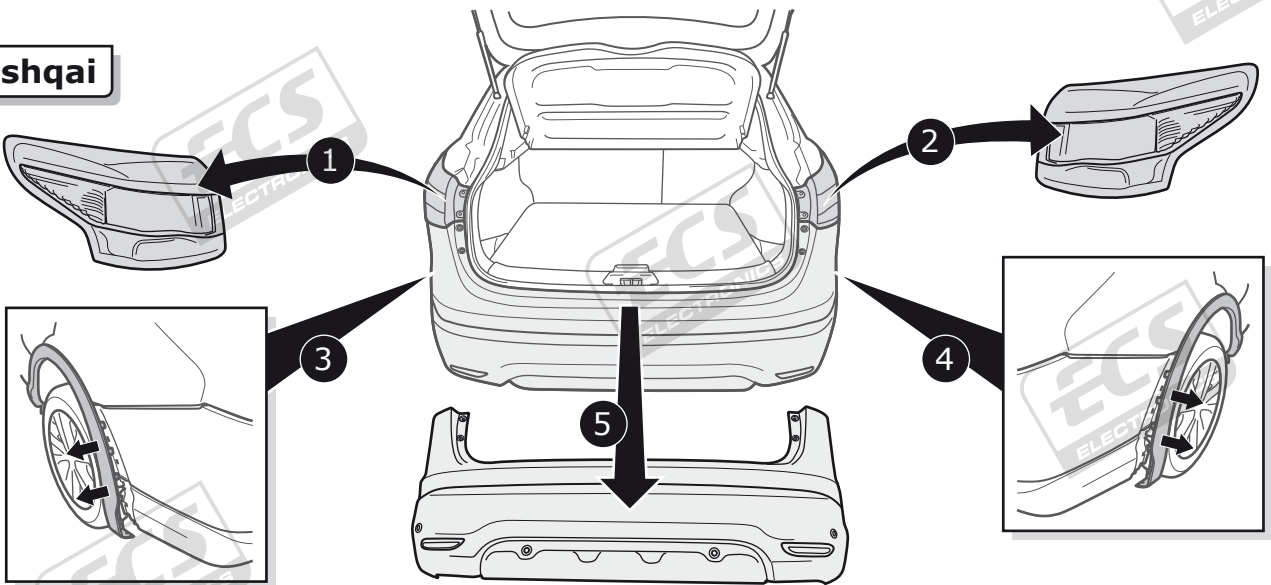
2

### Qashqai



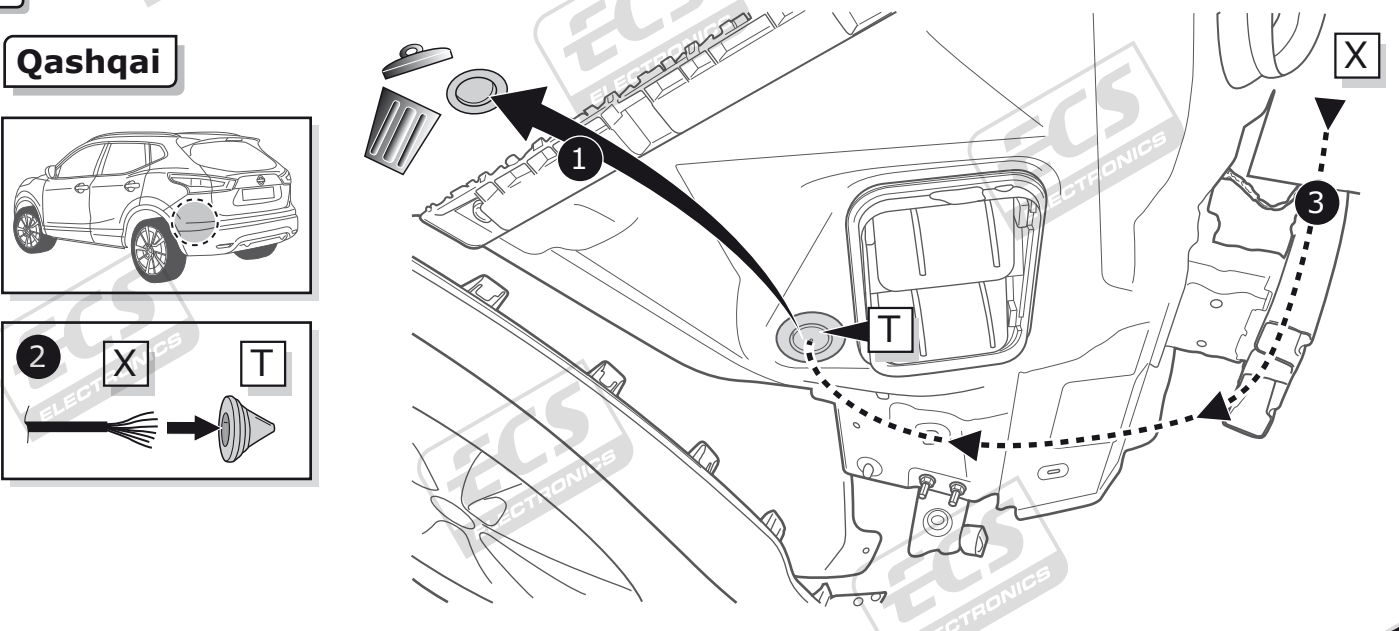
3

### Qashqai

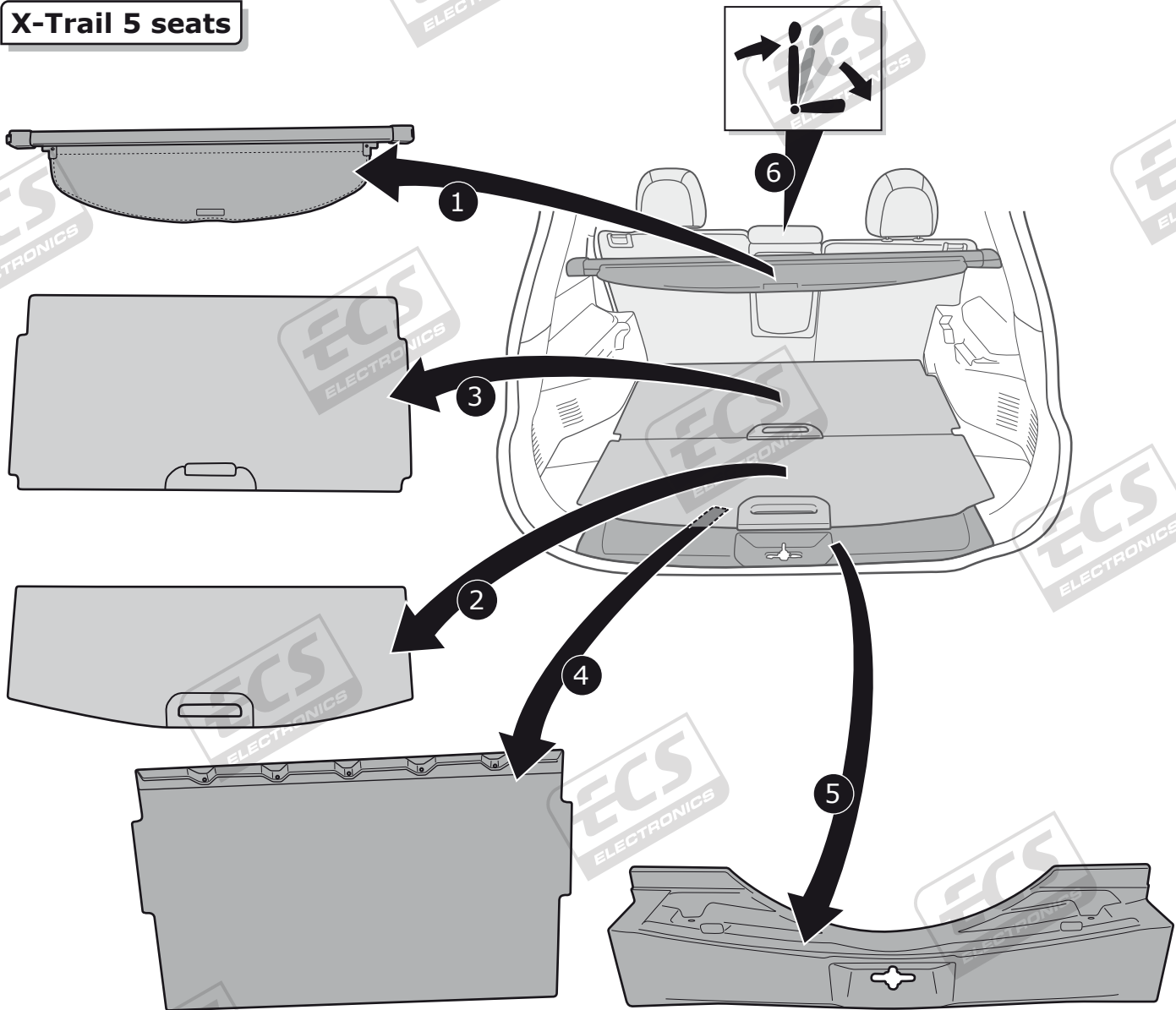


4

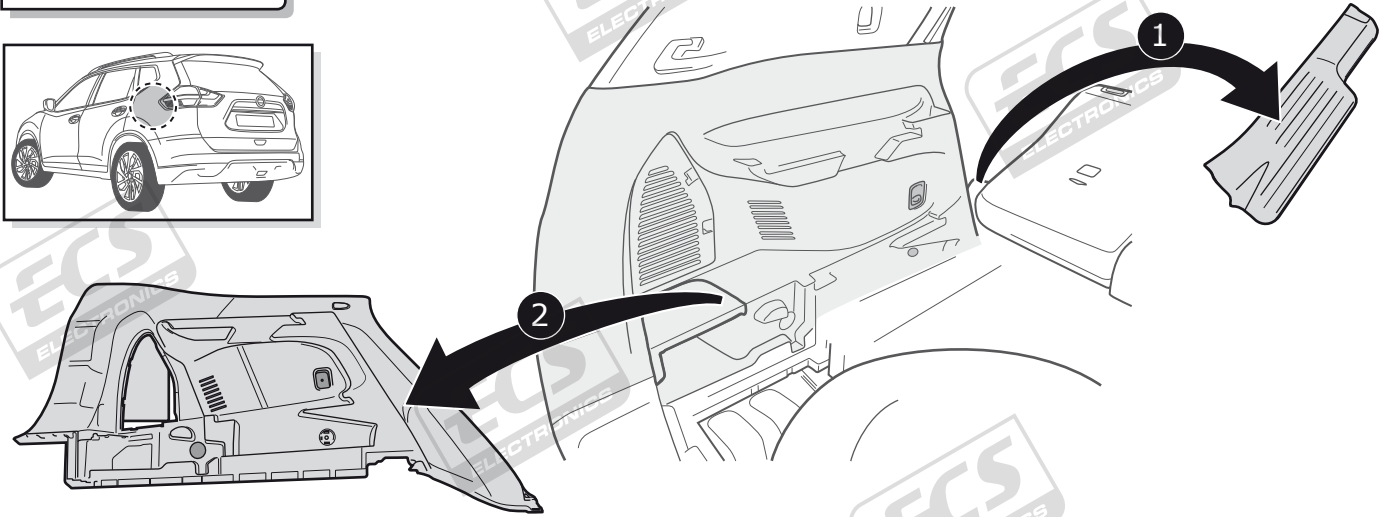
### Qashqai



**X-Trail 5 seats**

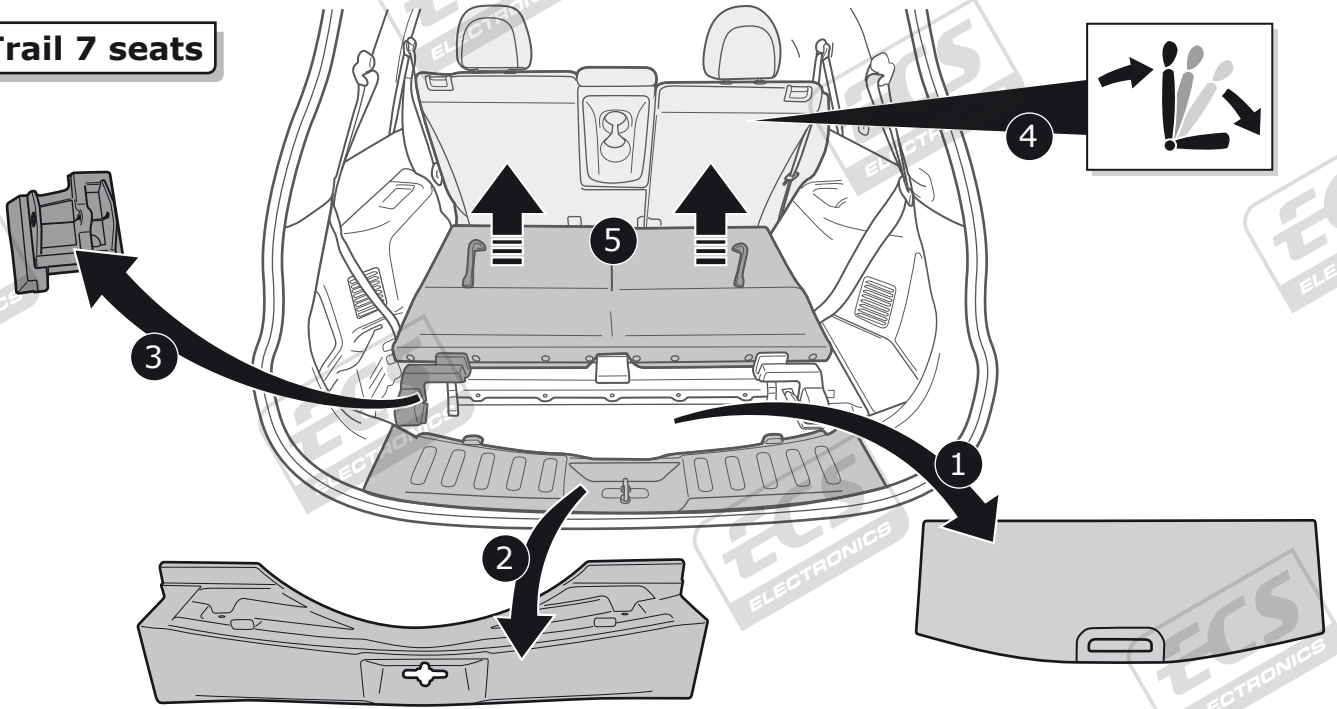


**X-Trail 5 seats**



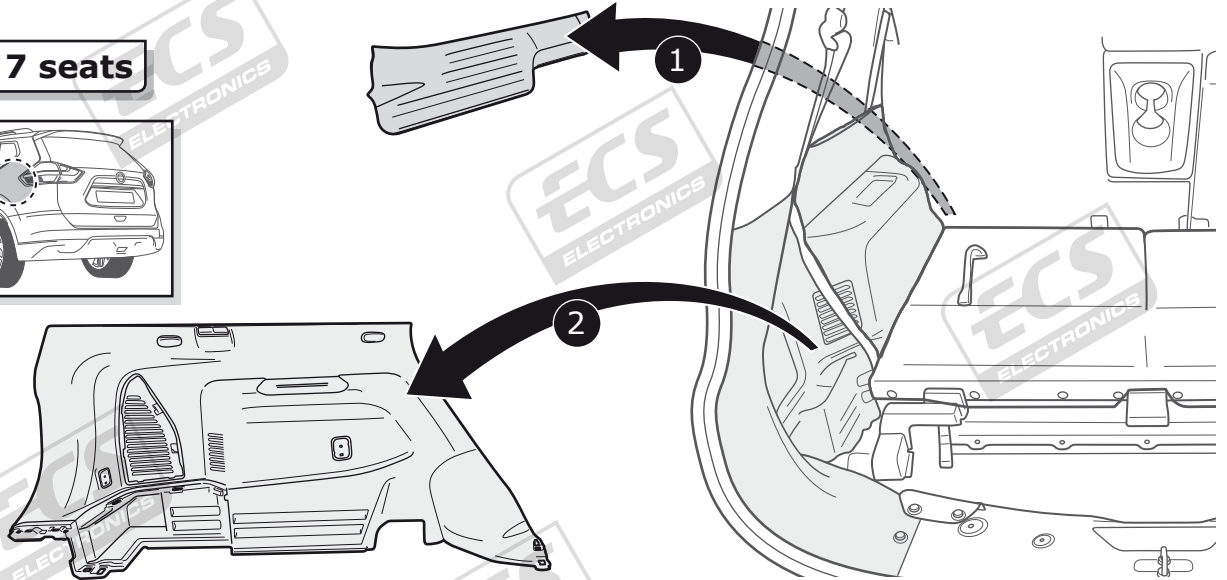
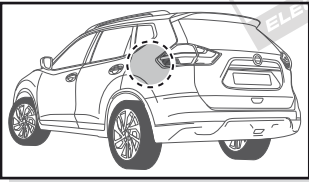
7

**X-Trail 7 seats**



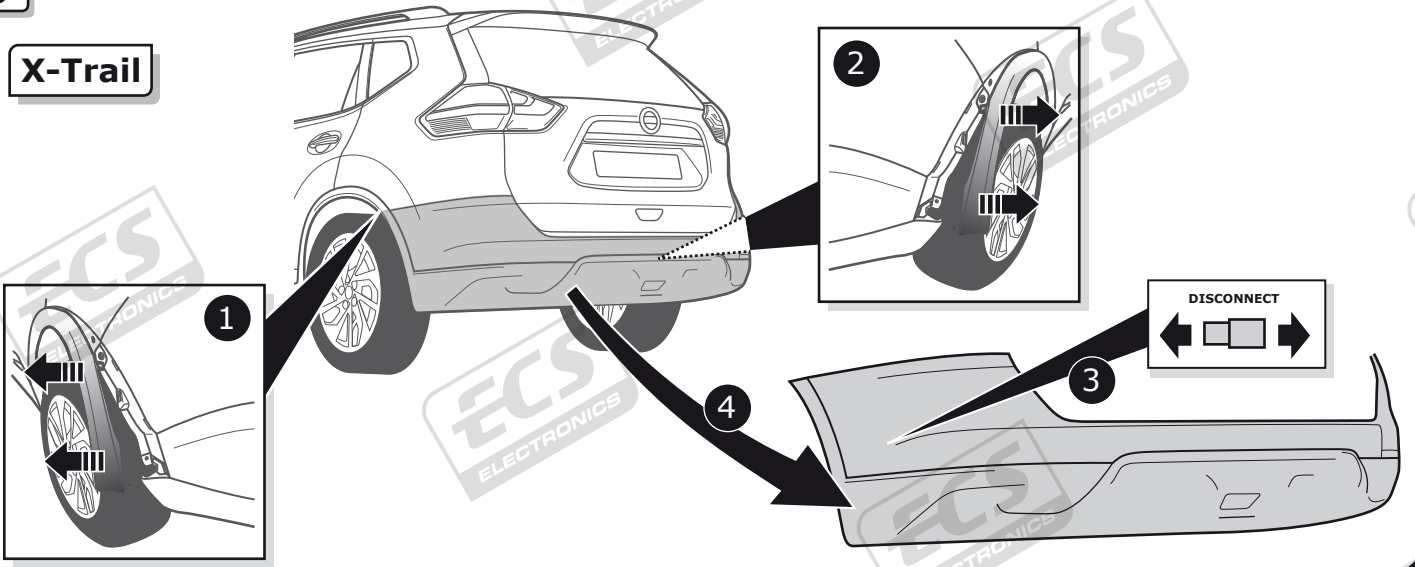
8

**X-Trail 7 seats**

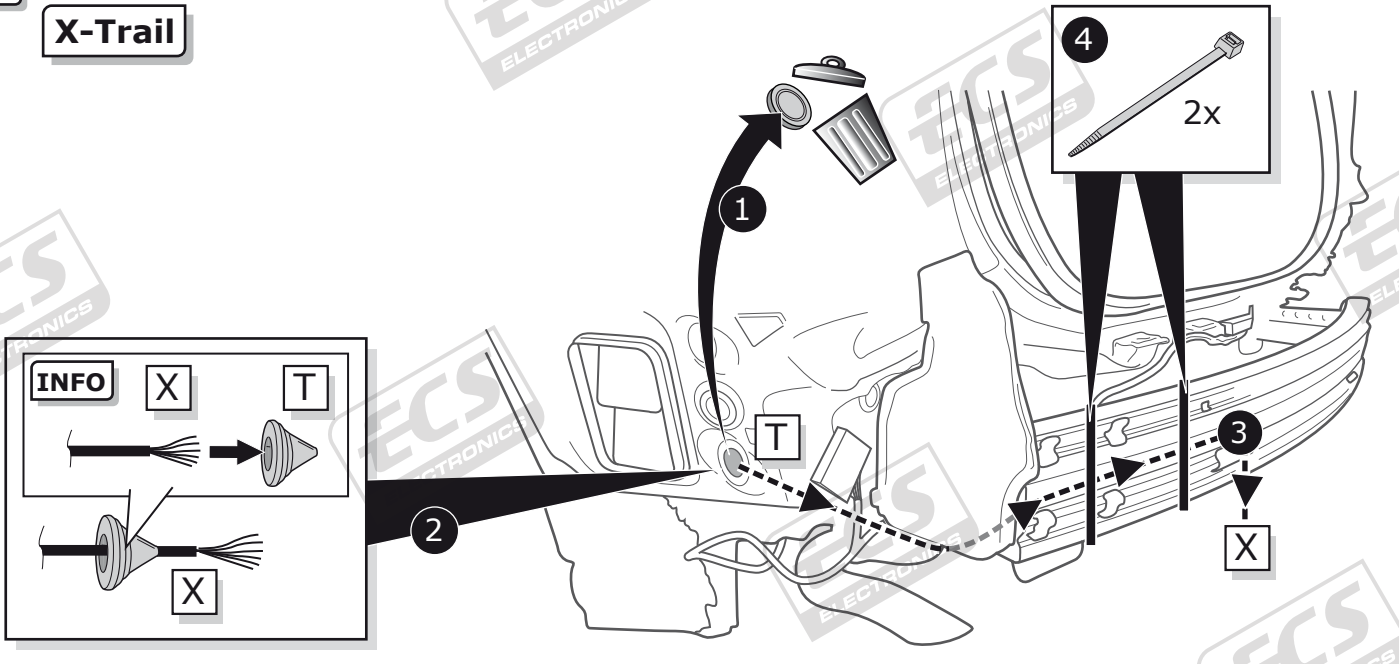


9

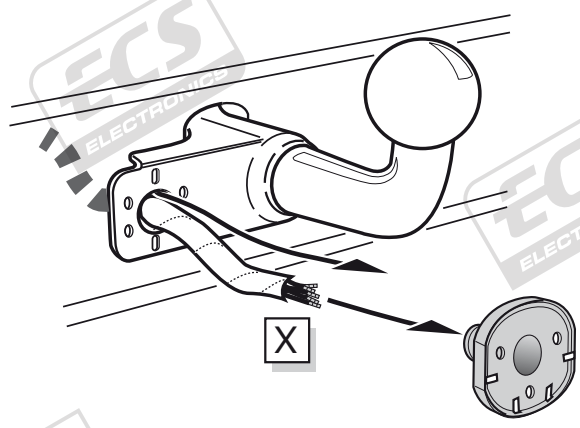
**X-Trail**



# X-Trail



## A



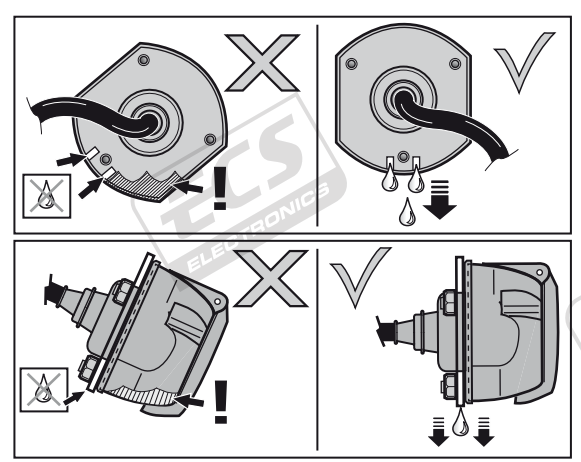
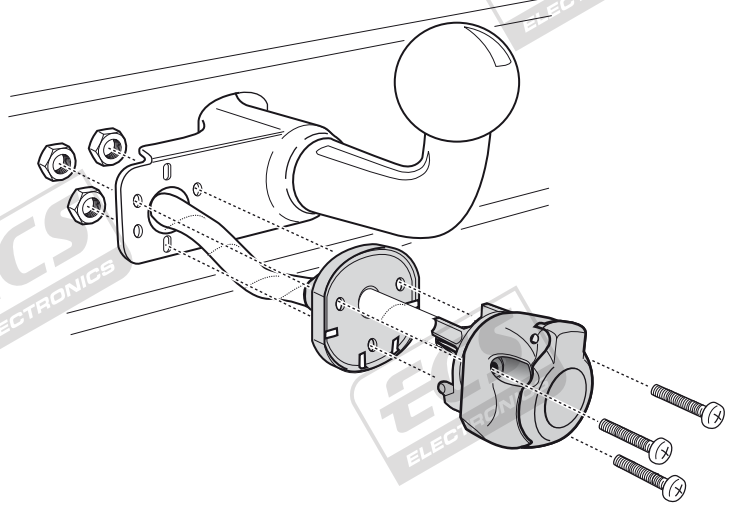
## INFO

SOCKET CONNECTION

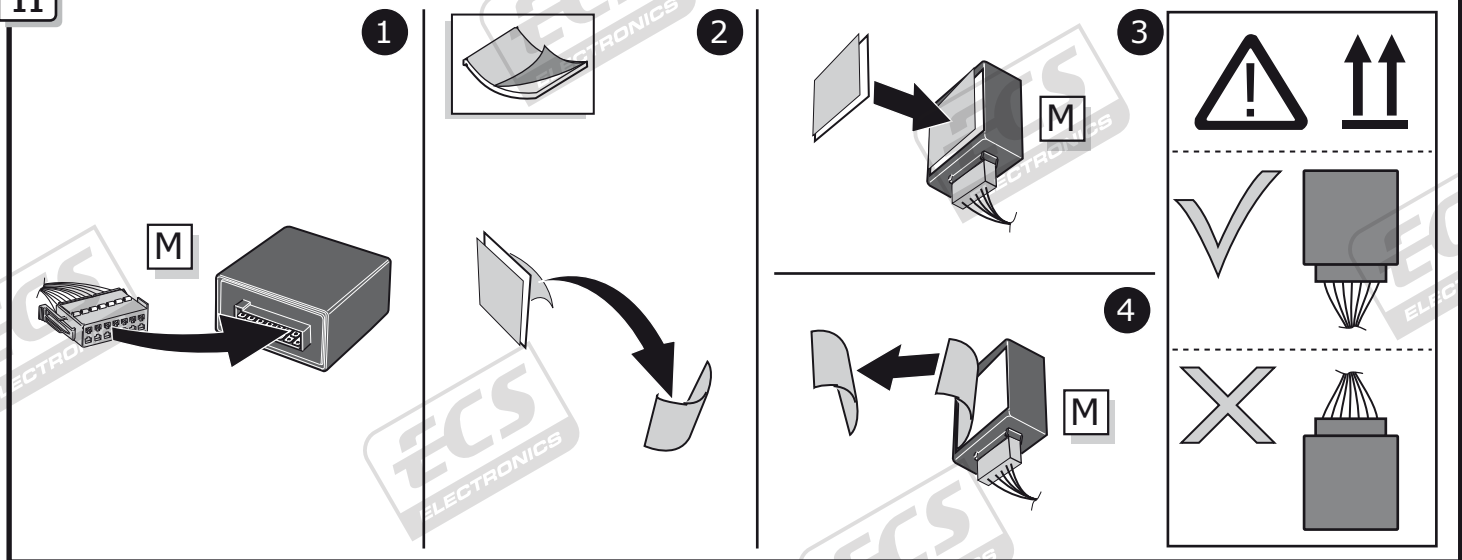


Pag. 12

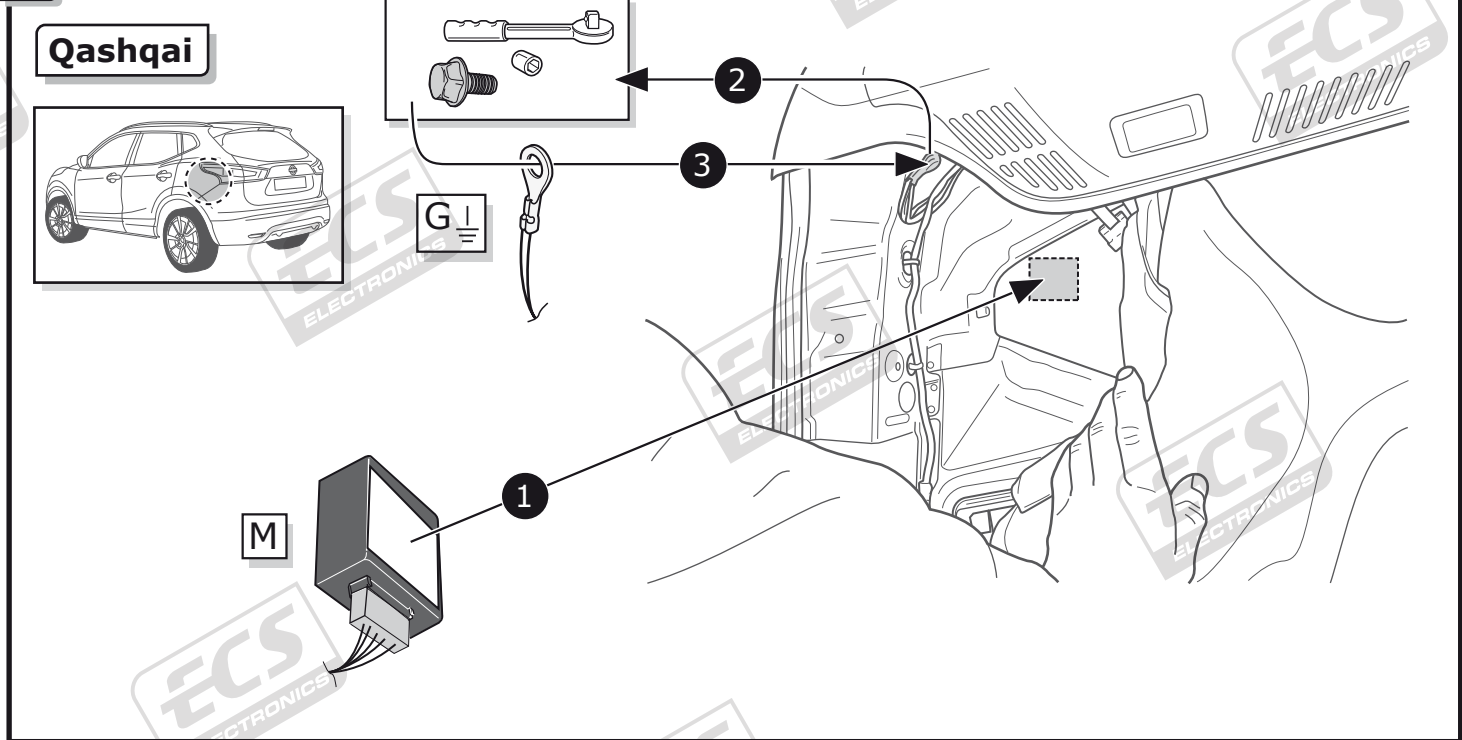
## B



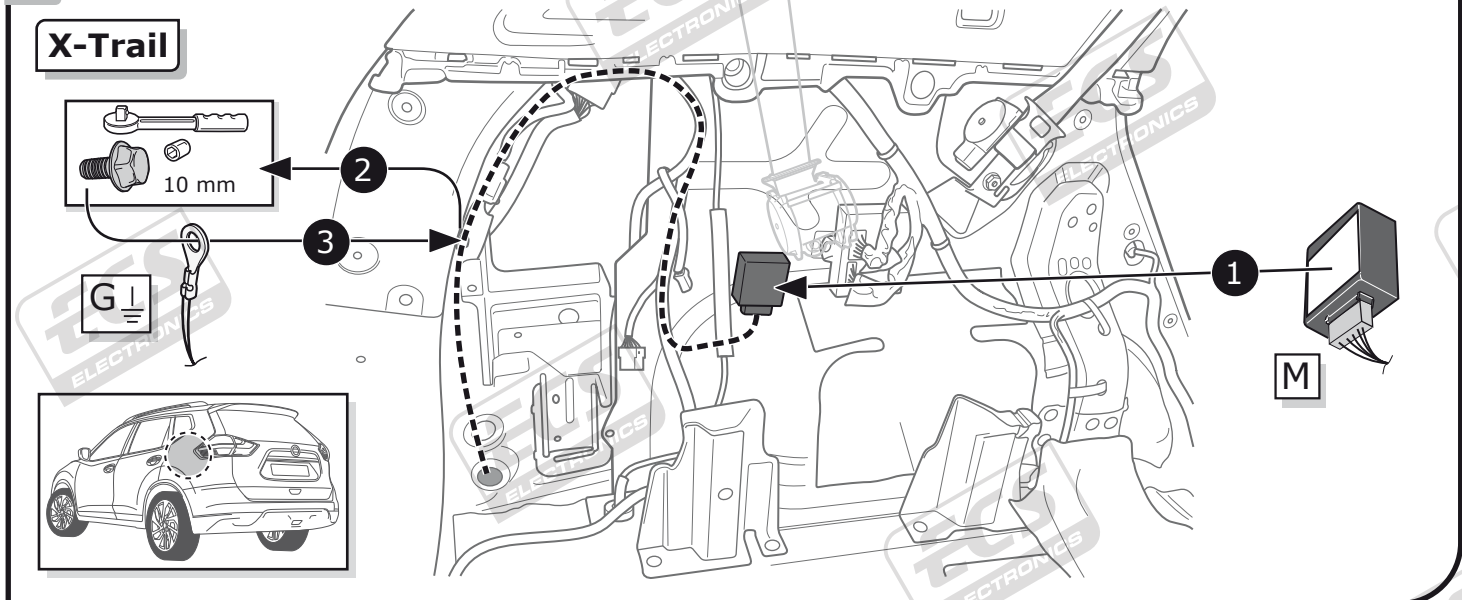
11



12



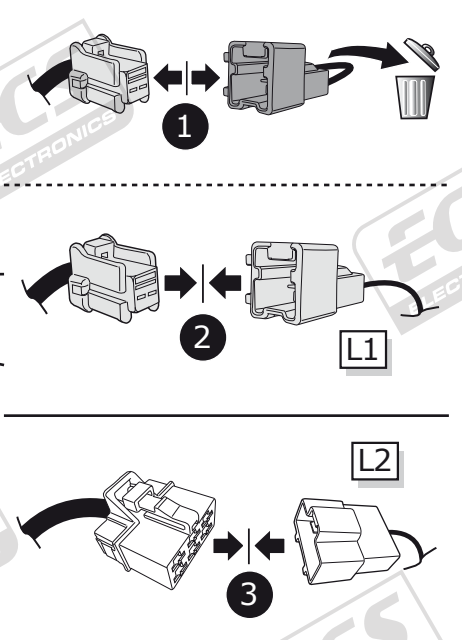
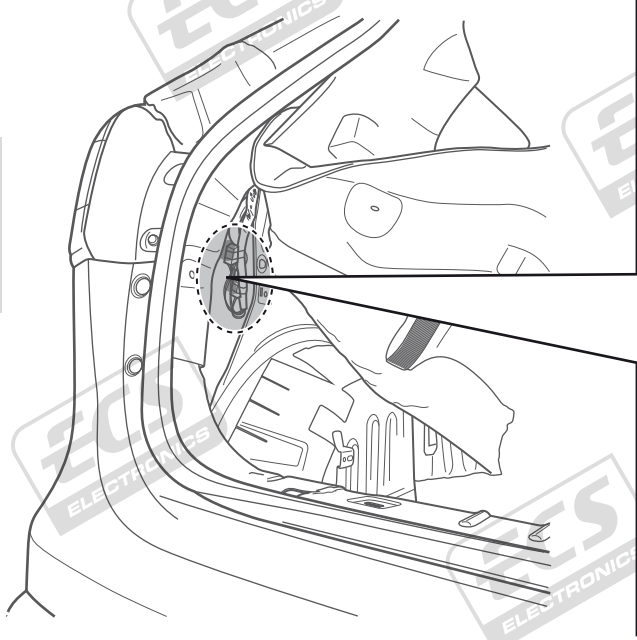
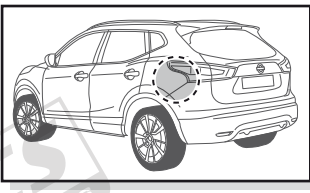
13





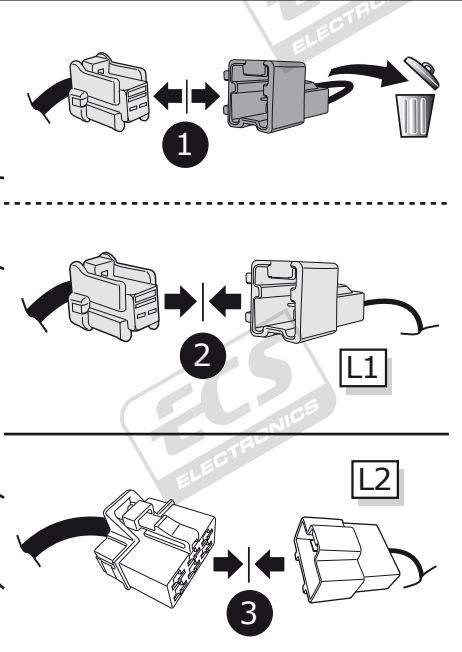
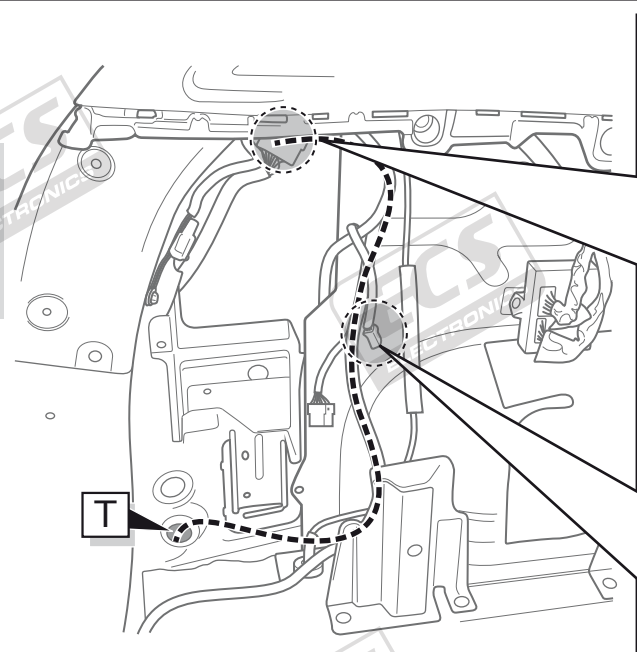
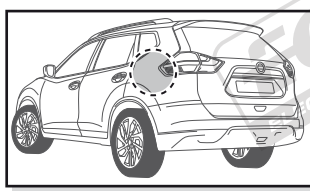
14

### Qashqai



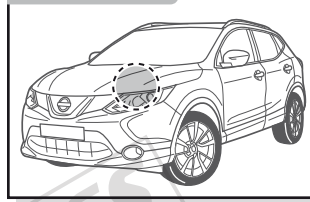
15

### X-Trail

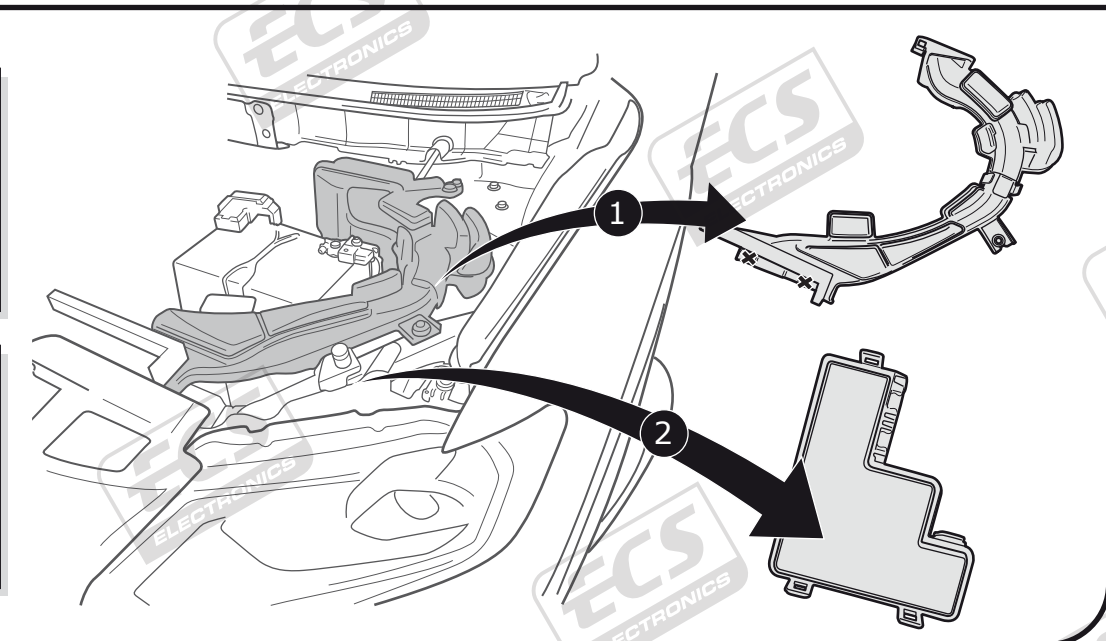
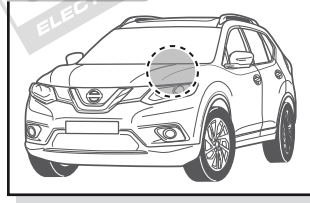


16

### Qashqai

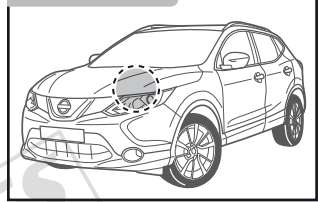


### X-Trail

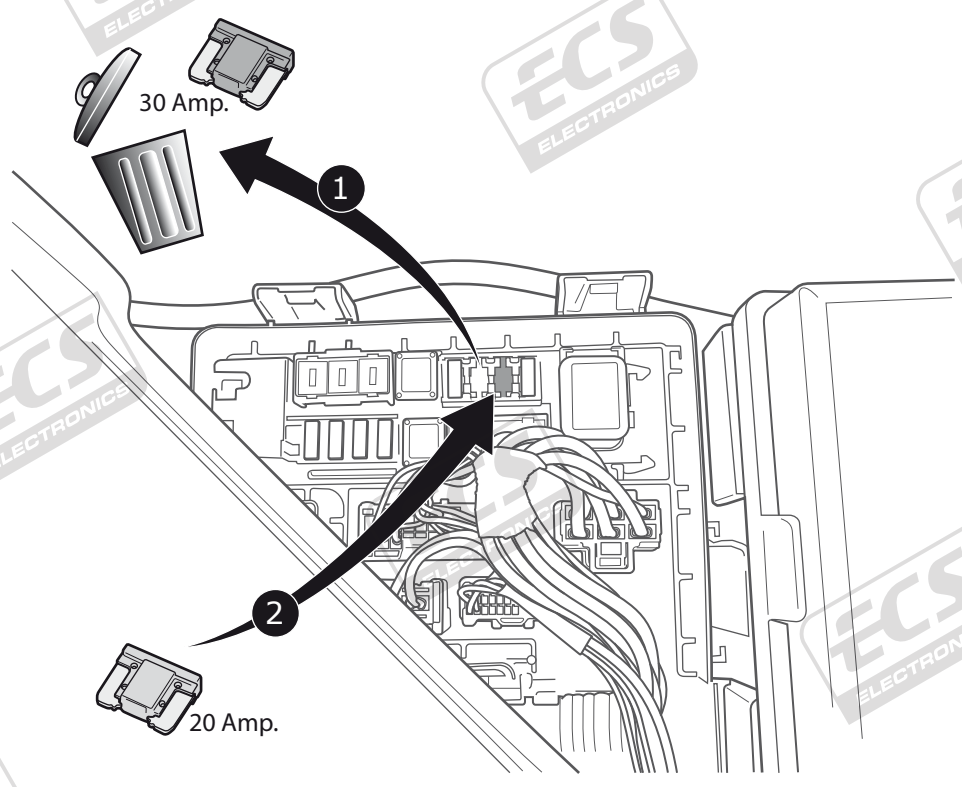
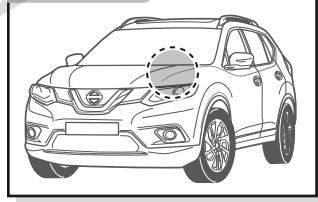


17

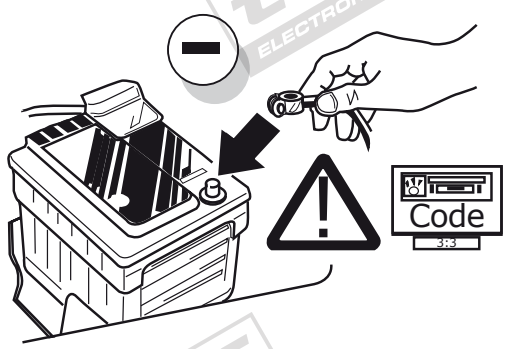
**Qashqai**



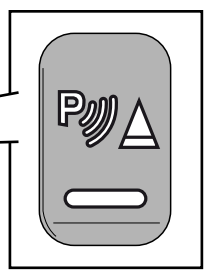
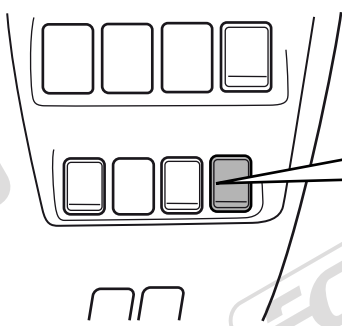
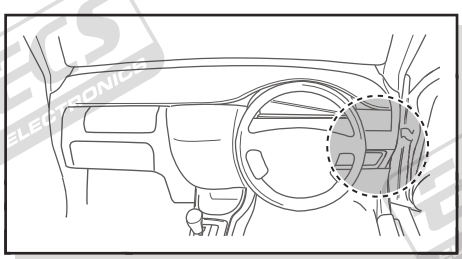
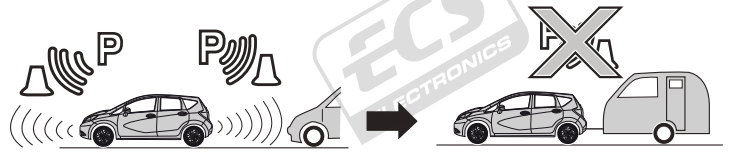
**X-Trail**



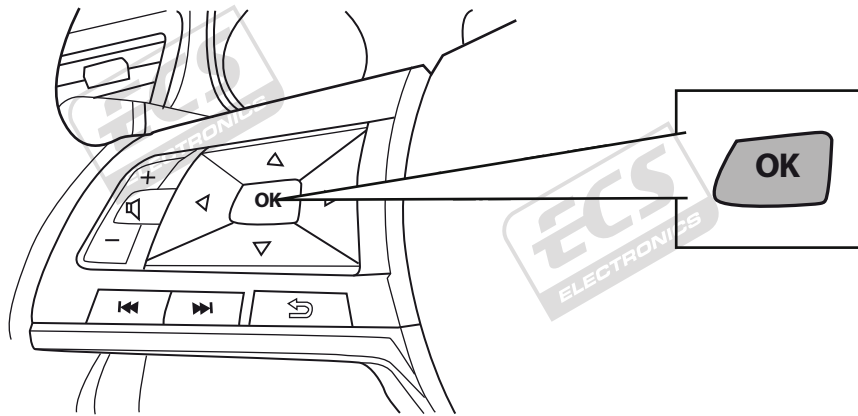
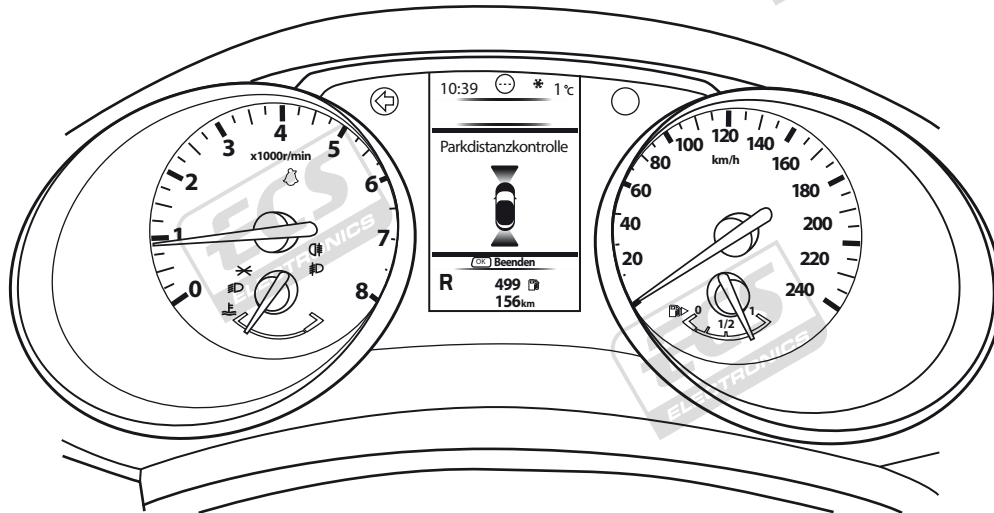
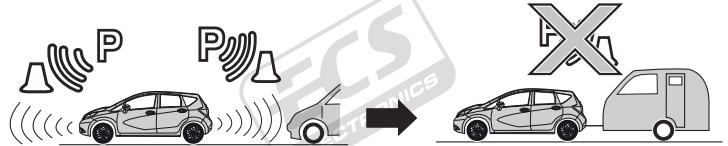
18



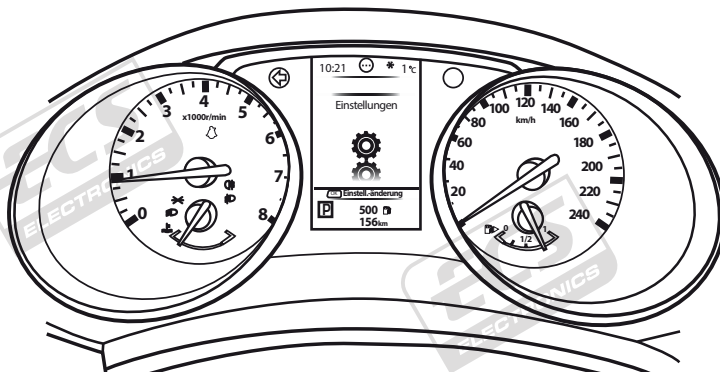
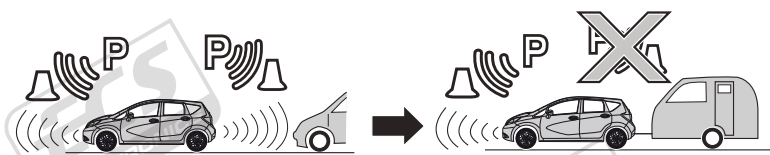
**Option 1**



Option 2



Option 3



Einstellungen/  
settings

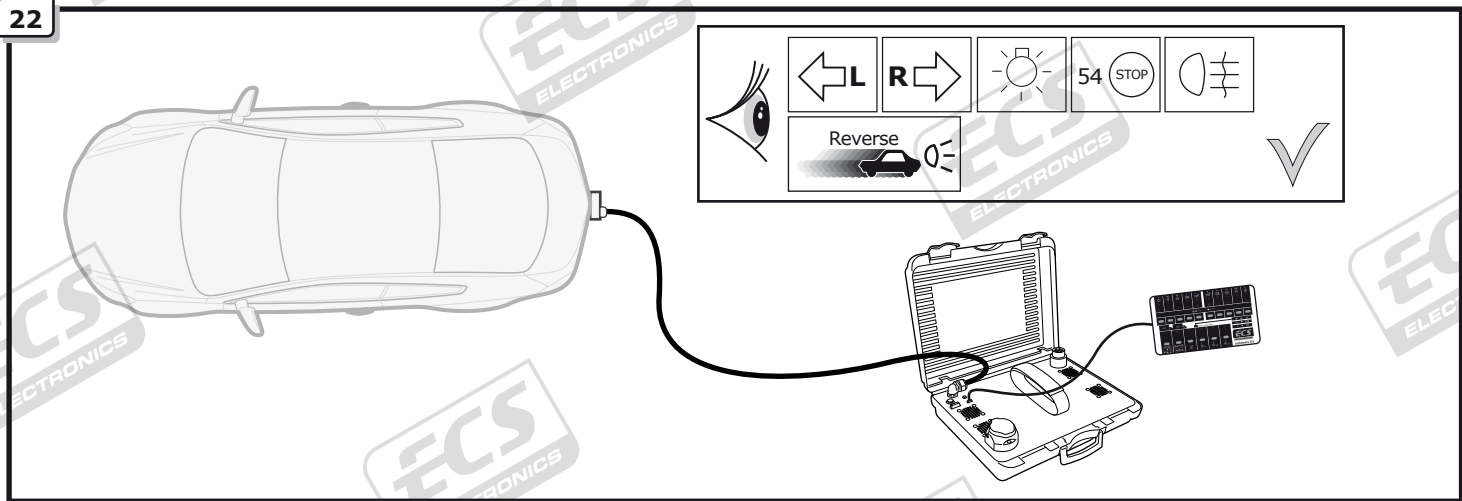
Fahrerassistenz/  
driver assistance

Parkhilfe/  
parking assistant

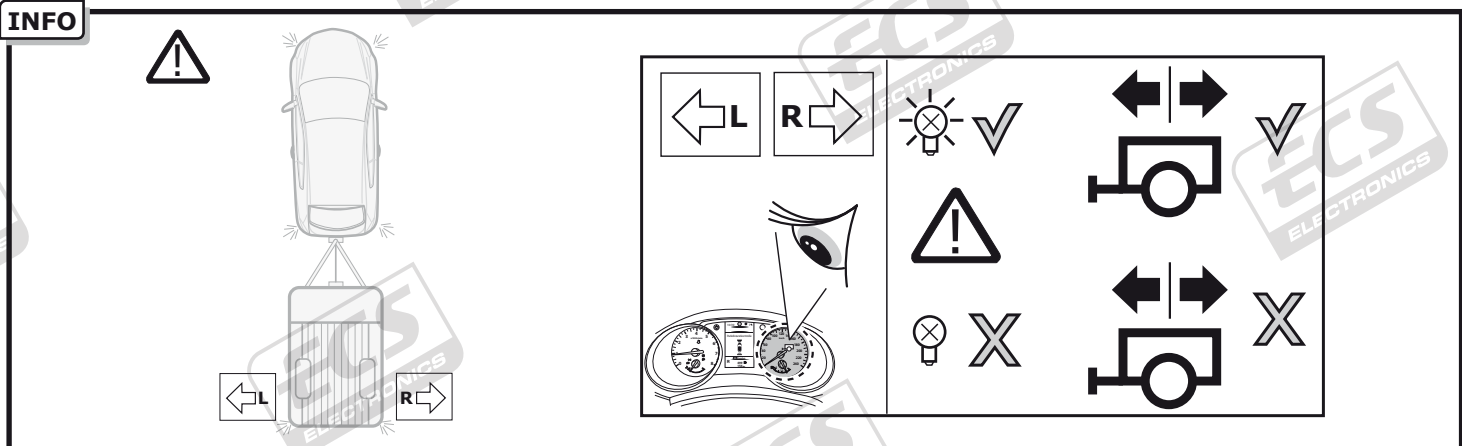
Sensor Heck ausschalten/  
disable rear-sensor



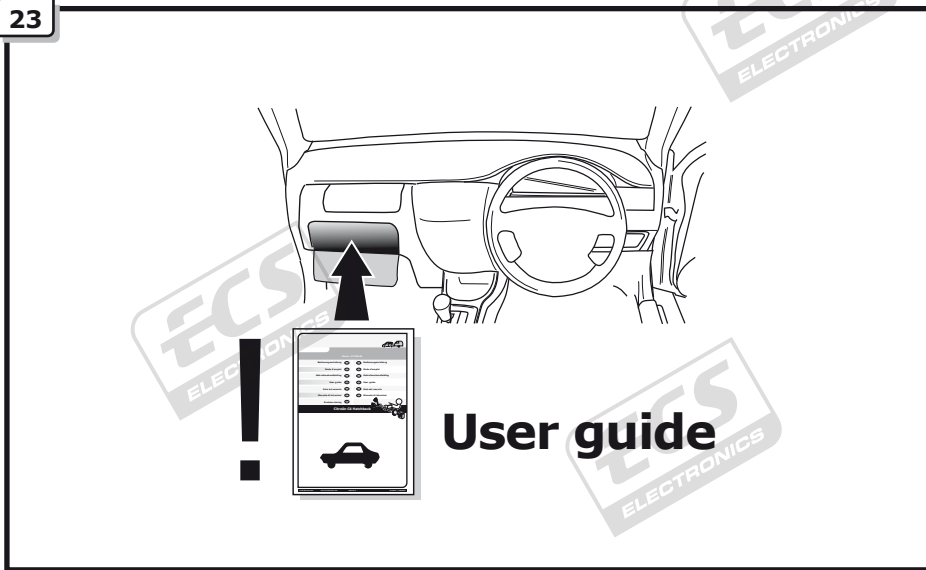
22



INFO



23



INFO

SOCKET CONNECTION

DIN/ISO 1724	←	Car Horn	⏏ 1-7	→	Light	STOP	Light
	1/L	2	3/31	4/R	5/58-R	6/54	7/58-L
Pmax	21W	2x21W		21W	52W	3x21W	52W
Colour	Yellow	Blue	White	Green	Brown	Red	Black