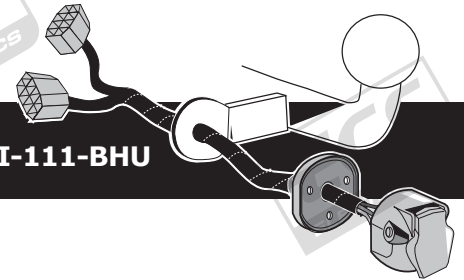


Nissan Juke 05/2014 >> 10/2019

Partnr.: NI-111-BHU



- Fitting instructions electric wiring kit tow bar with 12-N socket up to DIN/ISO Norm 1724.
- We would expressly point out that assembly not carried out properly by a competent installer will result in cancellation of any right to damage compensation, in particular those arising by virtue of the product liability act.
- Contents of these kits and their fitting manuals are subject to alteration without notice, please ensure that these instructions are read and fully understood before commencing installation.
- Do not overload circuits; the maximum loads per connection are detailed in this manual.
- Attention! Before Installation, please read this manual carefully and inform your customer to consult the vehicle owners manual to check for any vehicle modifications required before towing.
- In the event of functional problems, troubleshooting must be limited to about 0.5 hours, contact the technical support:
t.skinner@ecs-electronics.com / 07440 202 052.

A graphic for technical support featuring a headset icon and the phone number 07440 202 052. It also includes the ECS Electronics logo and contact details for Monday to Friday, 08.00 - 11.00 am and 12.00 - 05.00 pm.

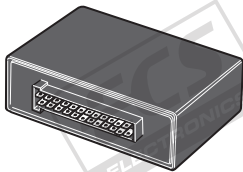
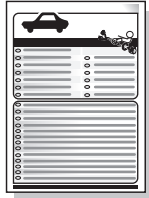
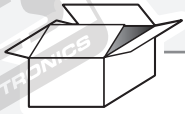
TECHNICAL SUPPORT

CALL 07440 202 052

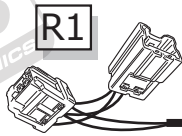
ECS ELECTRONICS

MONDAY TO FRIDAY
08.00 - 11.00 am
12.00 - 05.00 pm
t.skinner@ecs-electronics.com
www.ecs-electronicsuk.co.uk

Part list

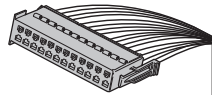


M



R1

M



T



X

L2

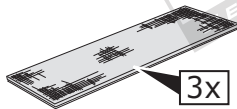
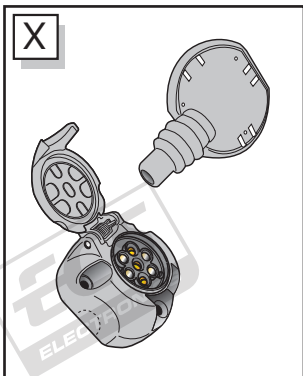
G



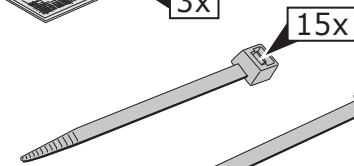
L1



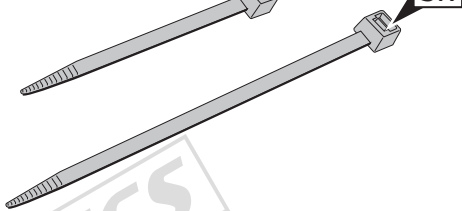
X



3x



15x



3x

UN-243-YZ

Optional reverse lamp pre-wire extension included



Pag. 14

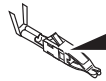
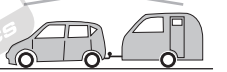


OPTION P.D.C.

PARK DISTANCE CONTROL



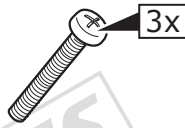
PARK DISTANCE CONTROL



2x



Pag. 12



3x

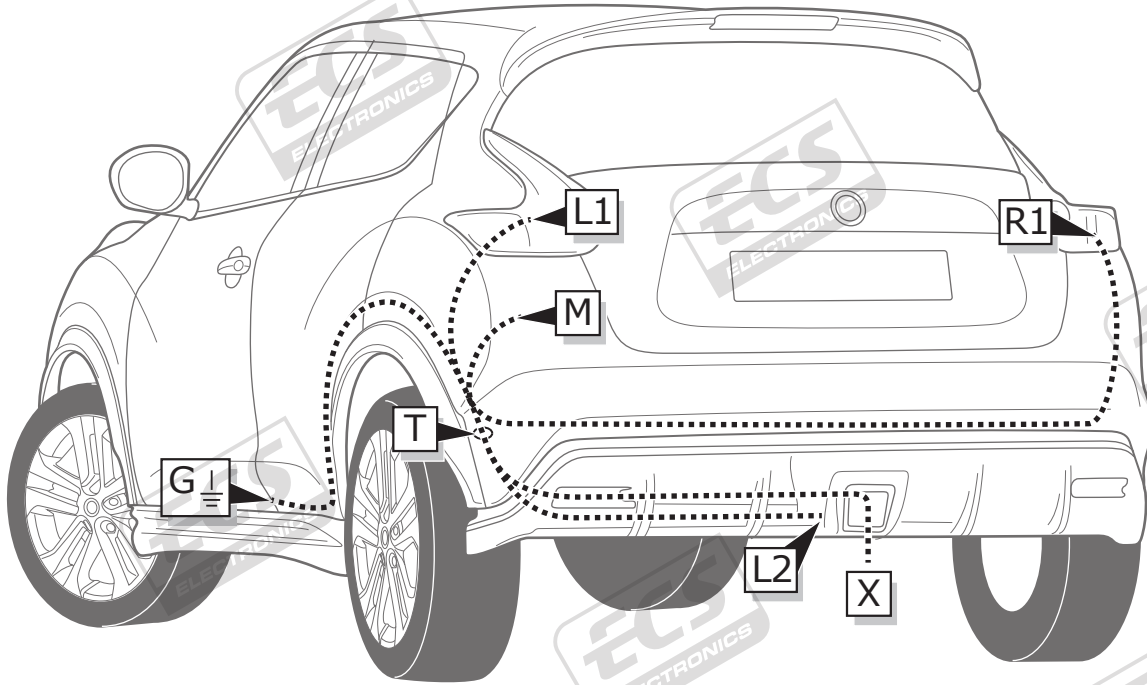


3x

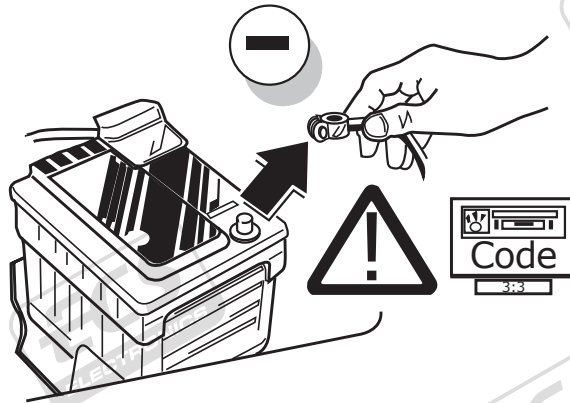


1x

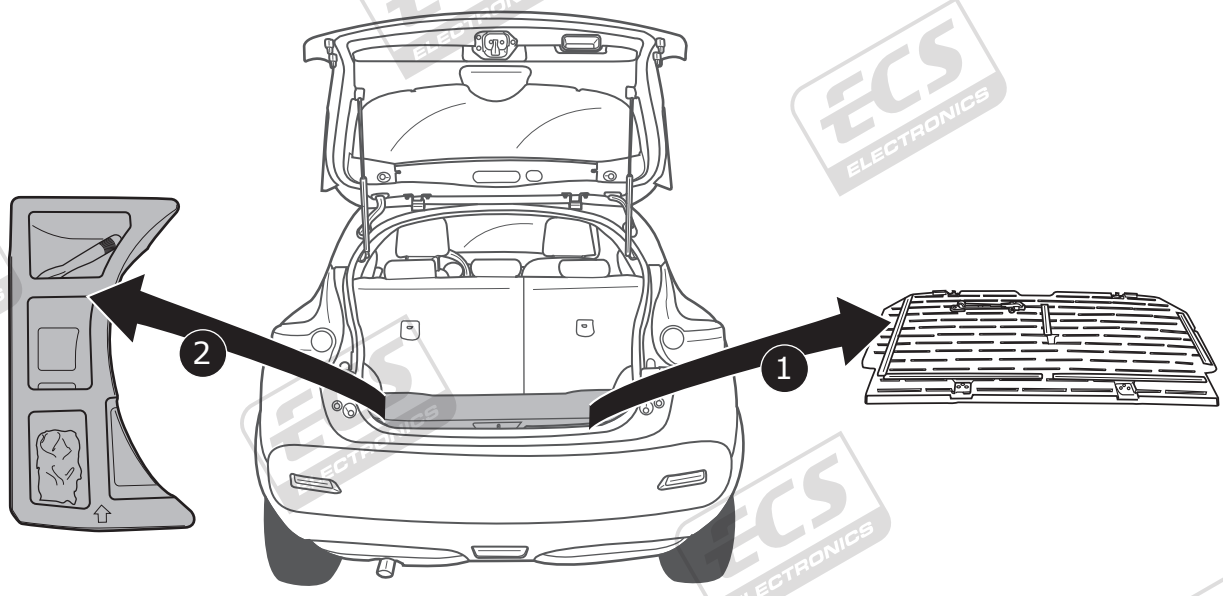
ROUTING



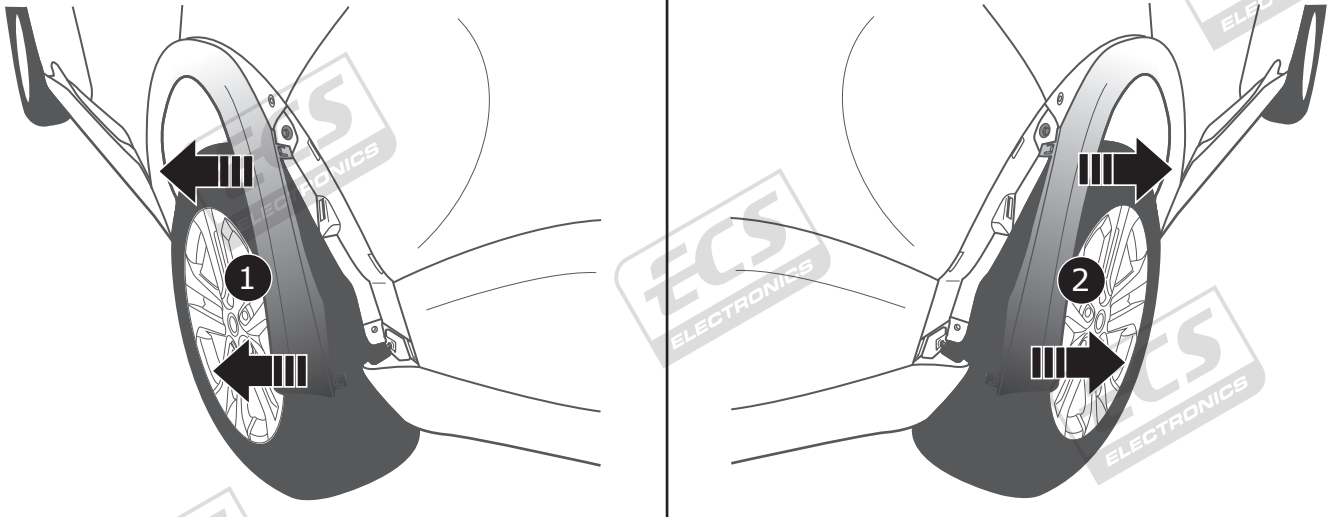
1



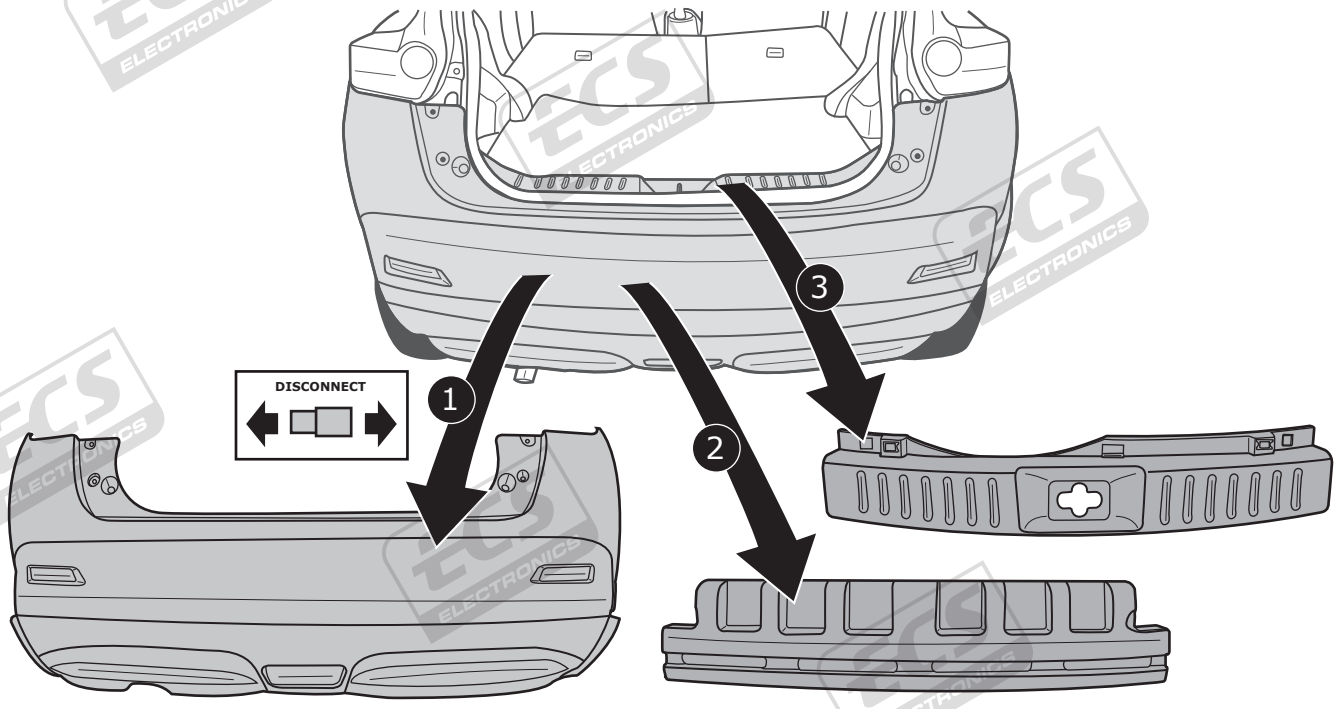
2



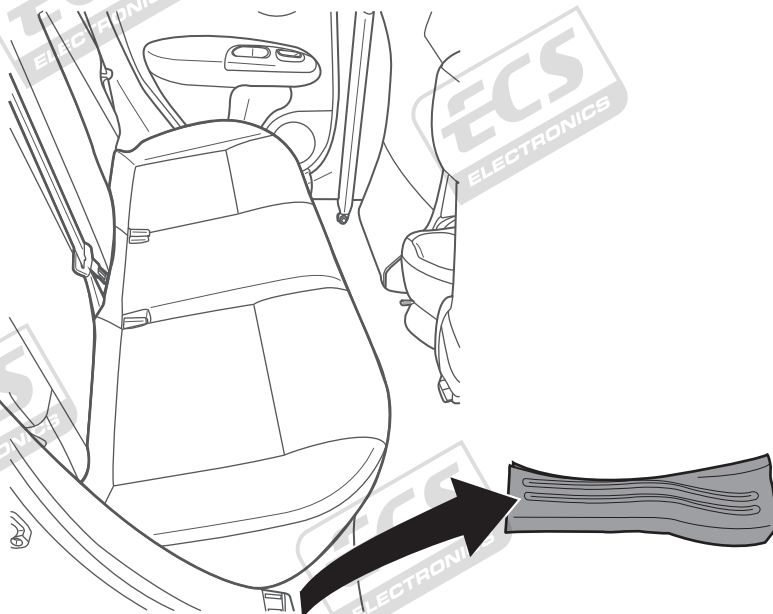
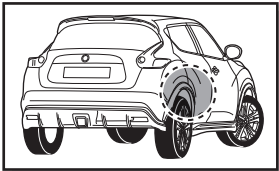
3



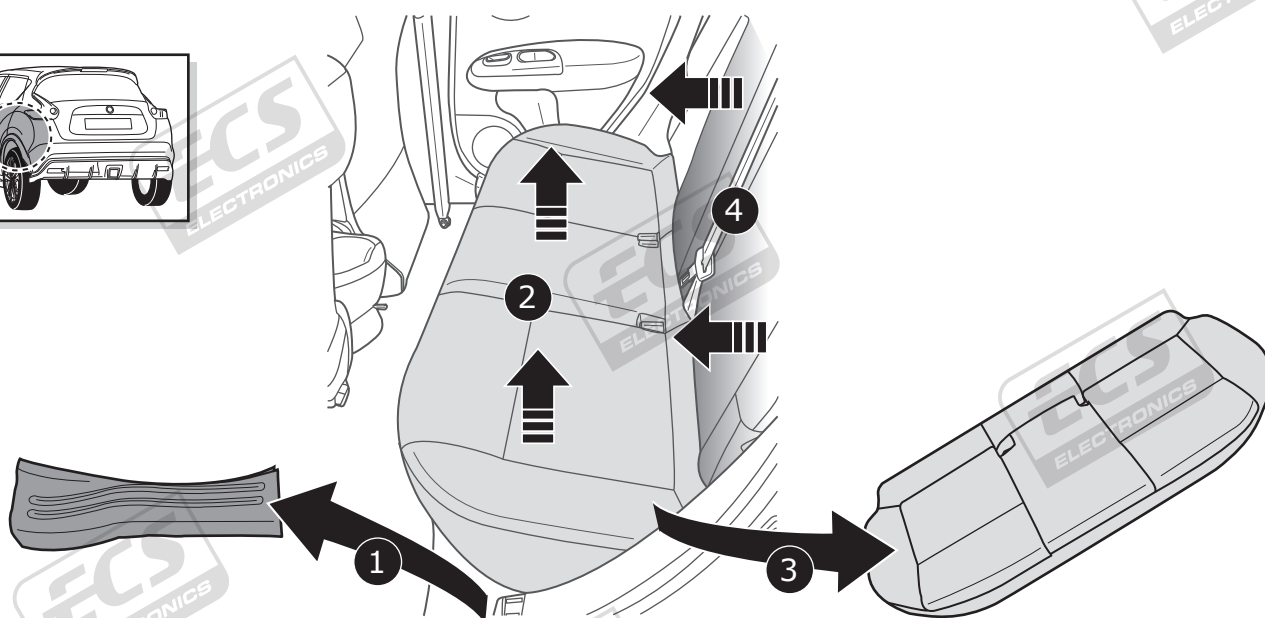
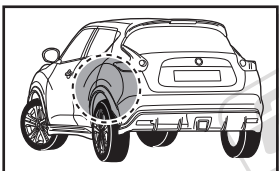
4



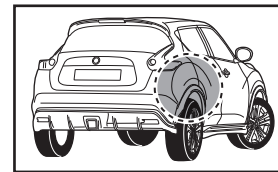
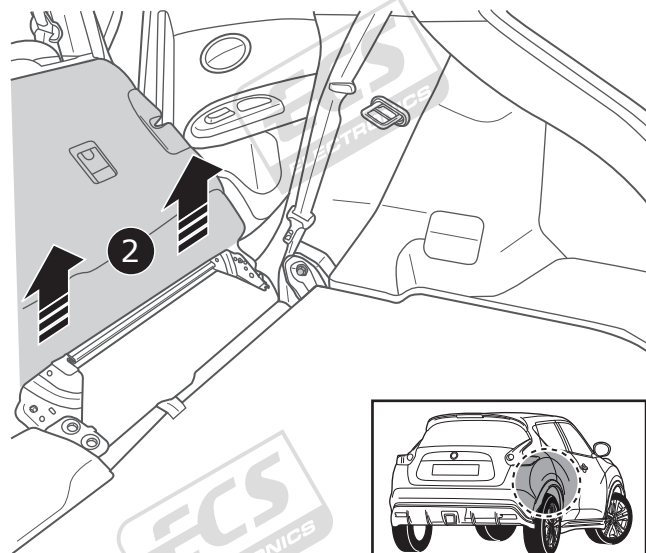
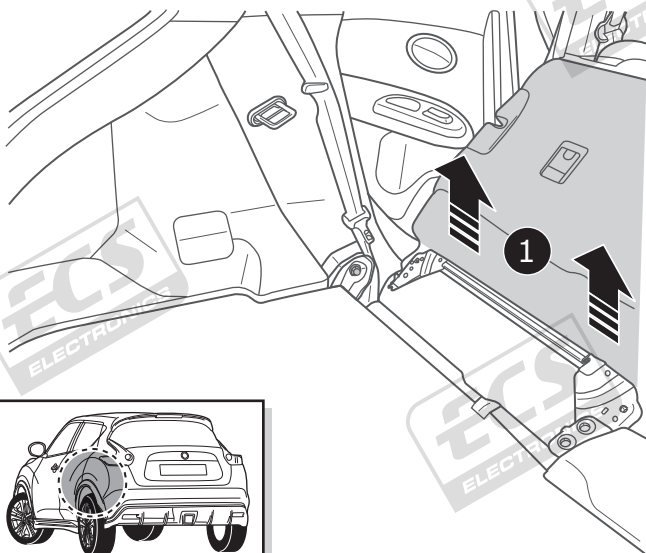
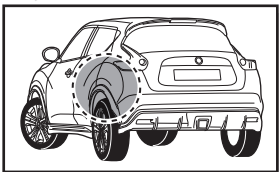
5



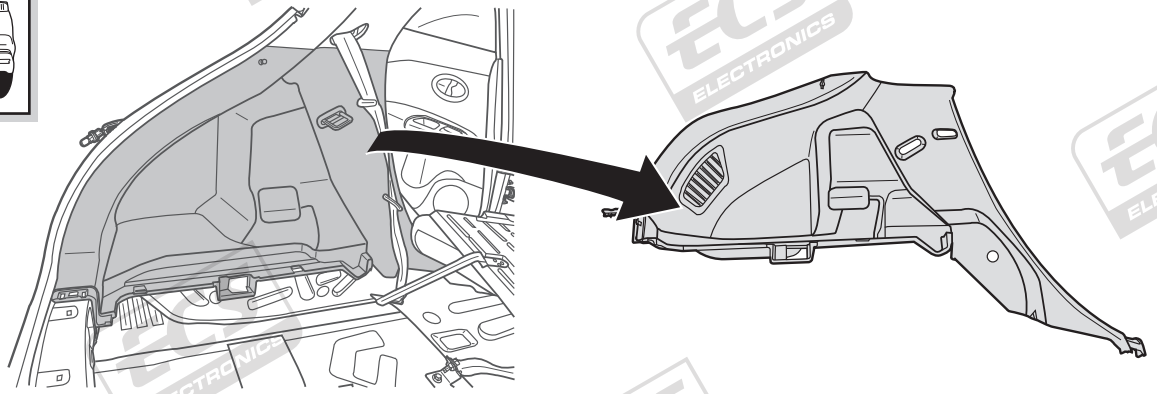
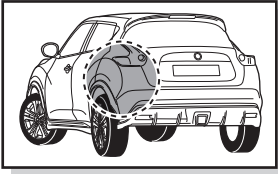
6



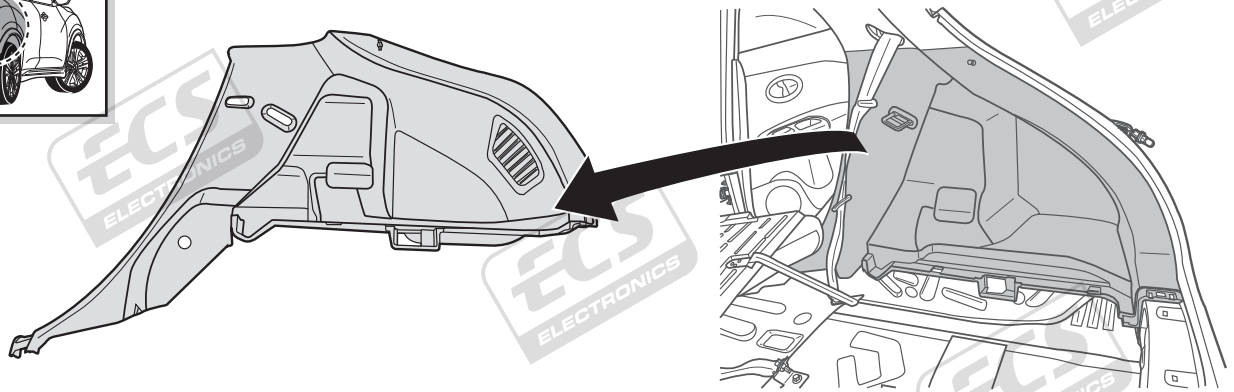
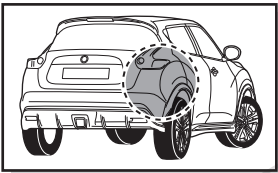
7



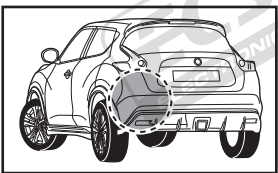
8



9



10

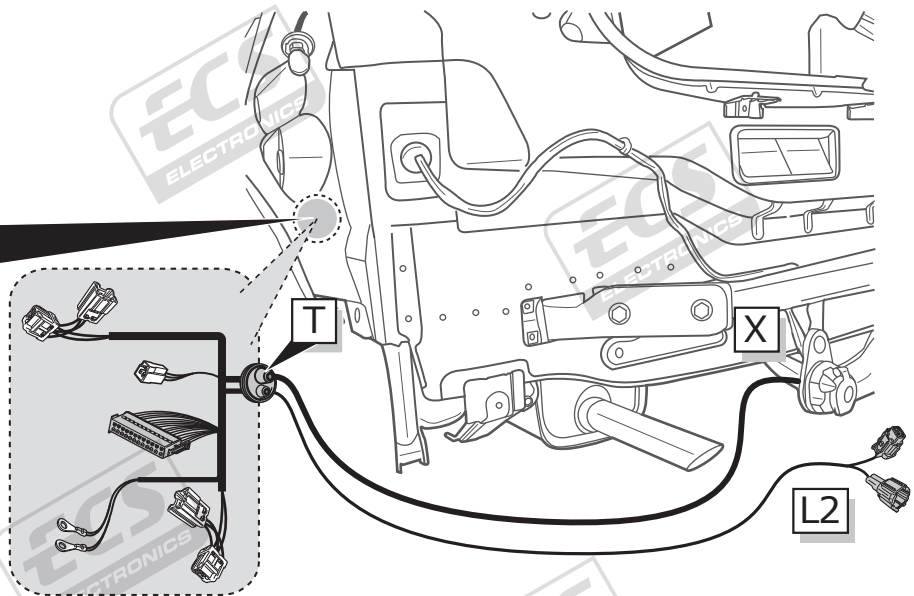


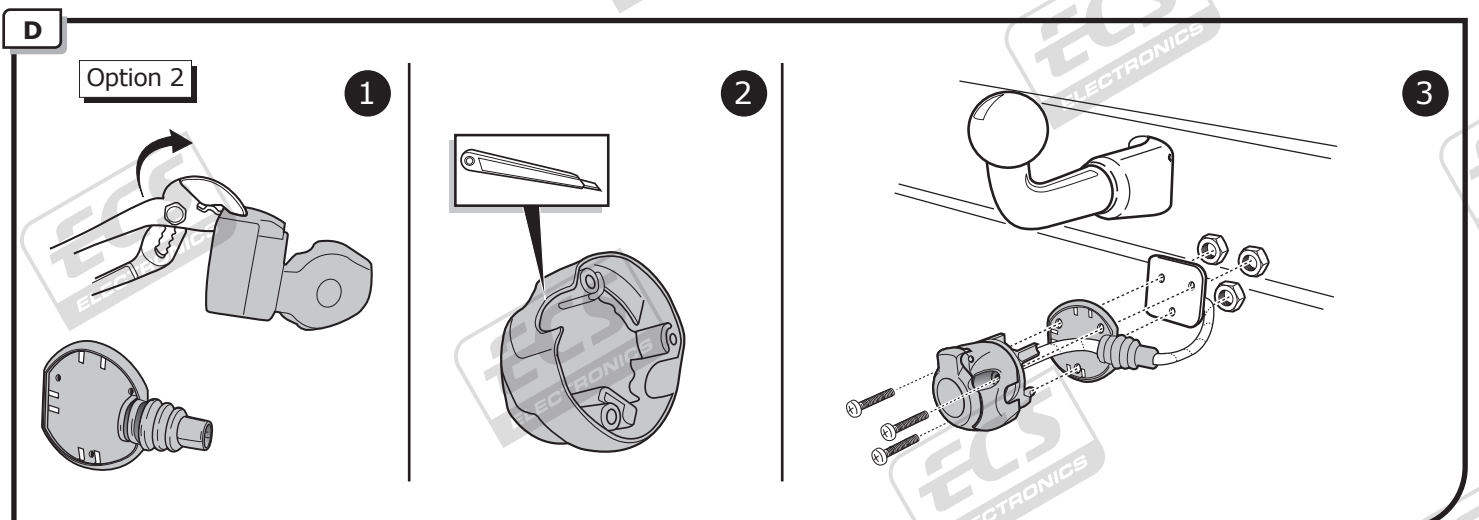
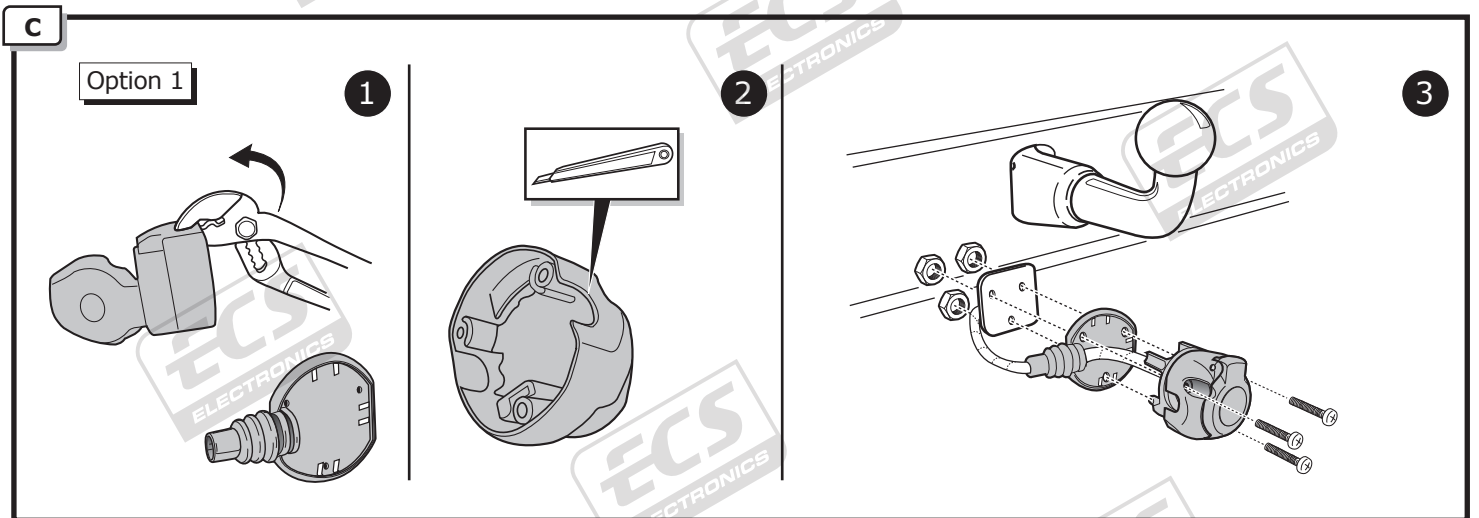
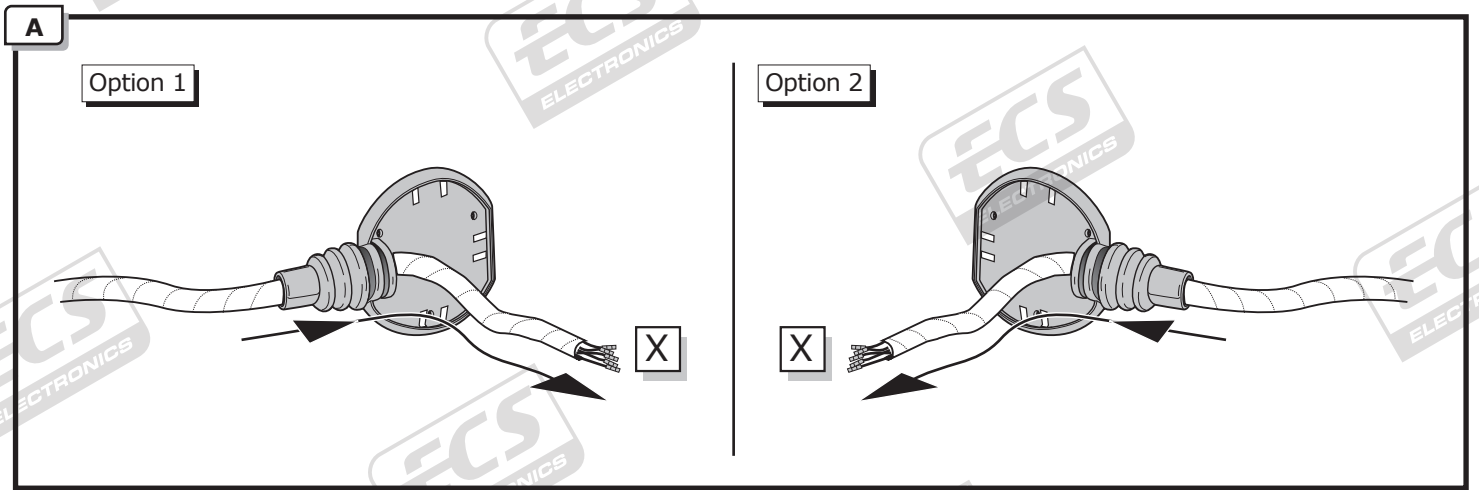
Template
Pag. 13

1 2

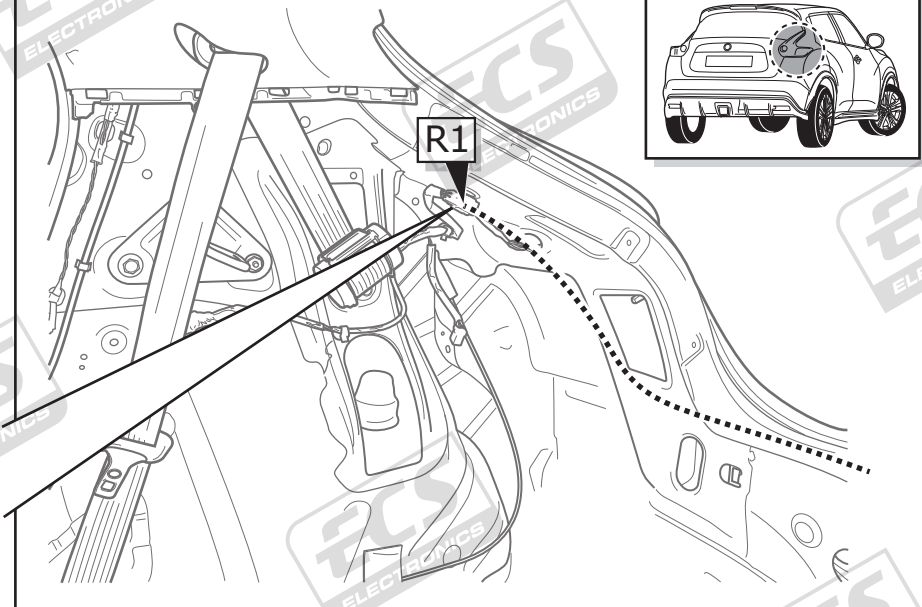
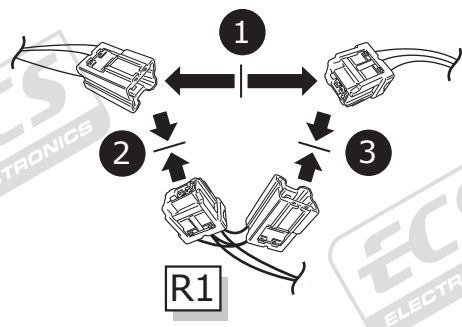
3

ø 40mm

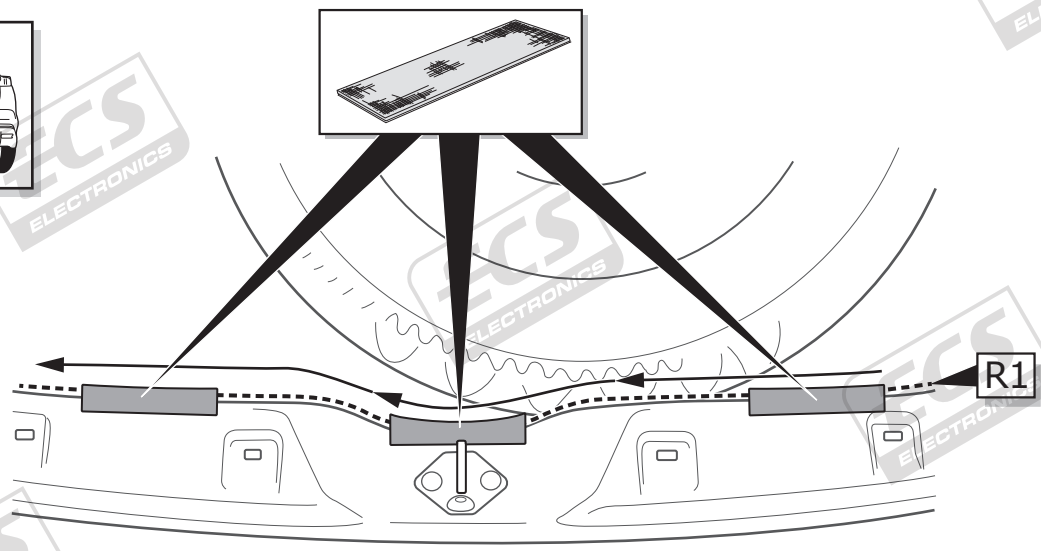
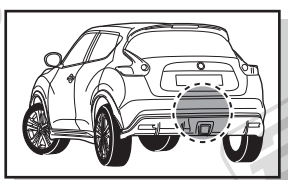




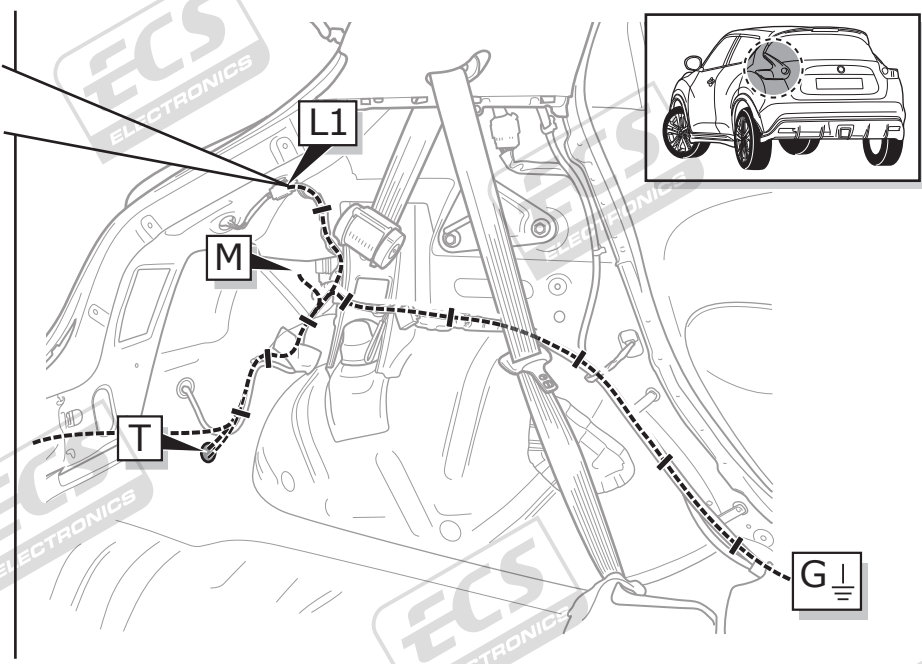
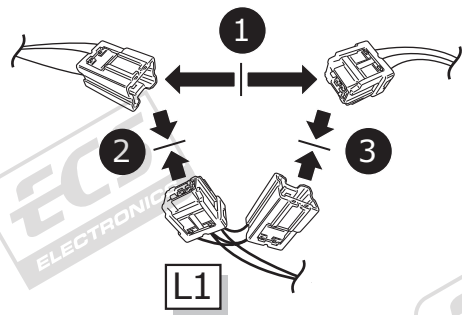
11



12



13



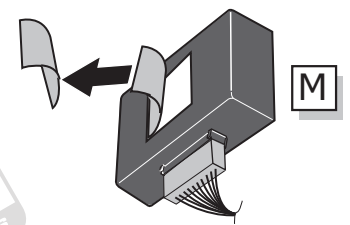
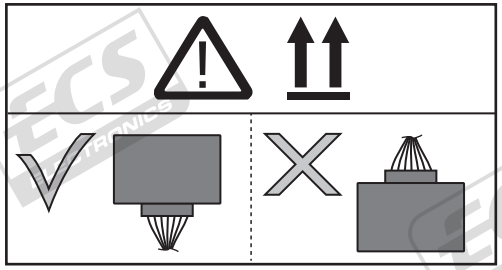
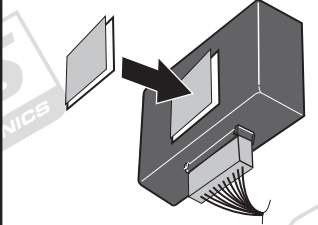
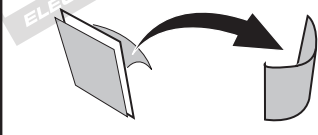
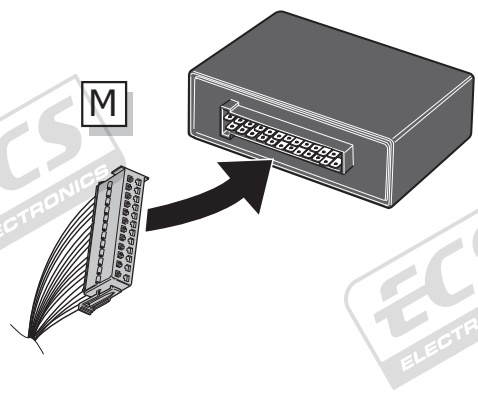
14

1

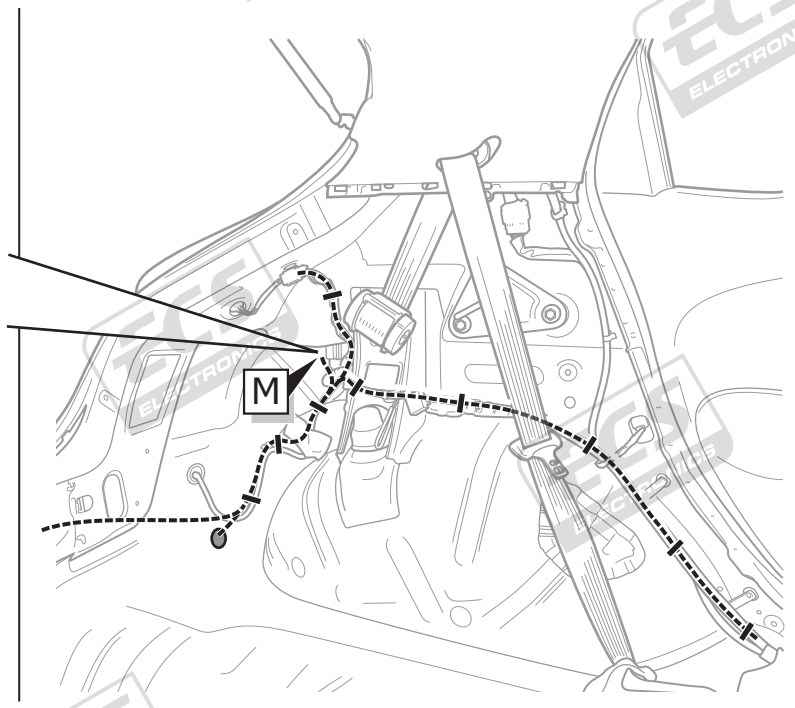
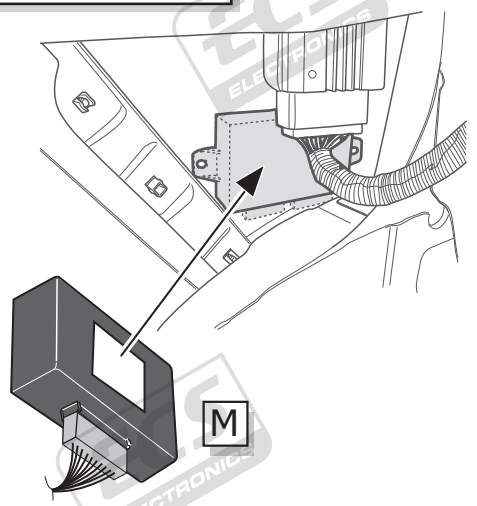
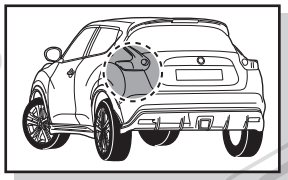
2

3

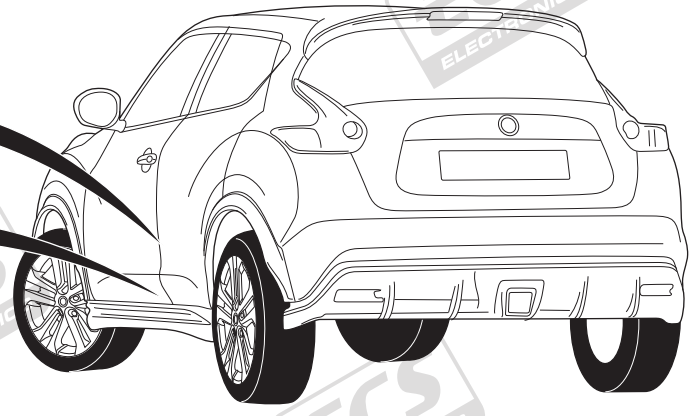
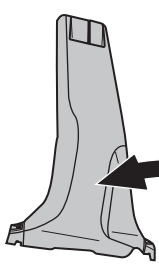
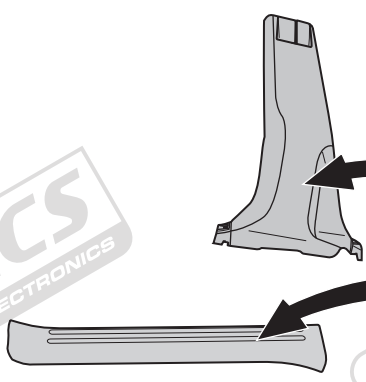
4



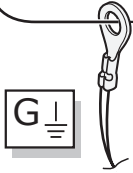
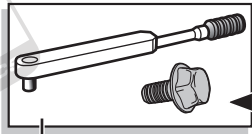
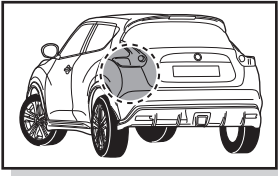
15



16

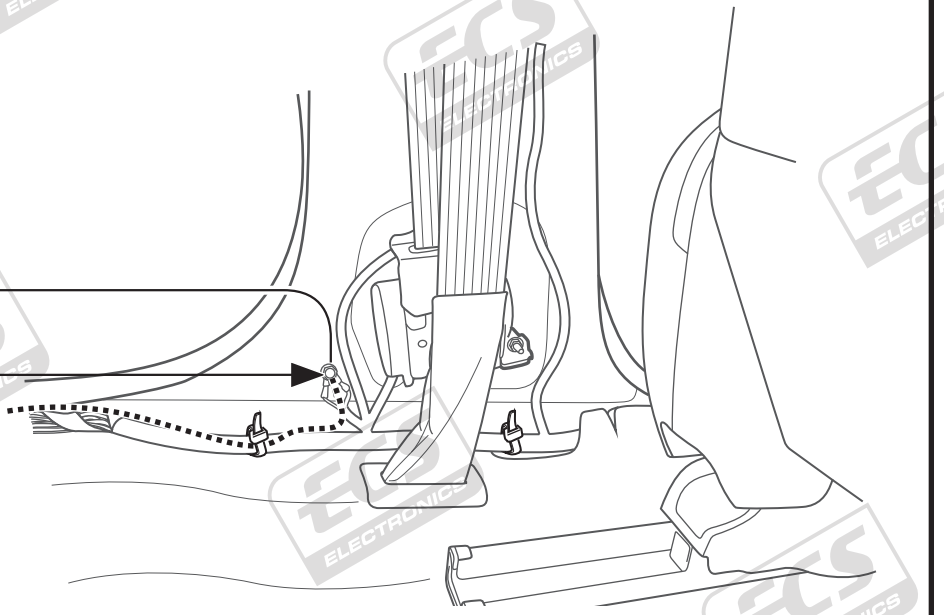


17

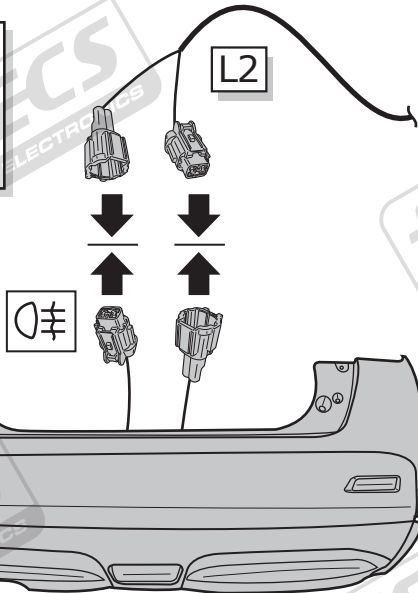
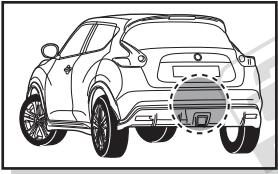


1

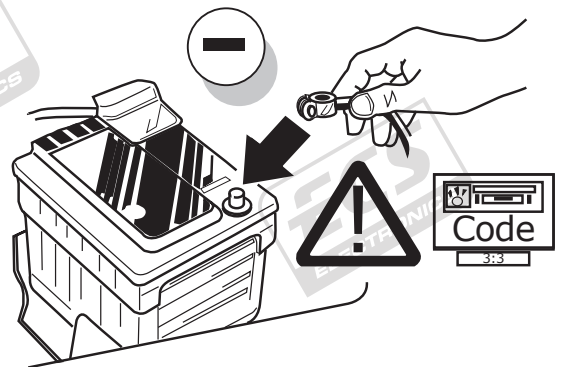
2



18



19



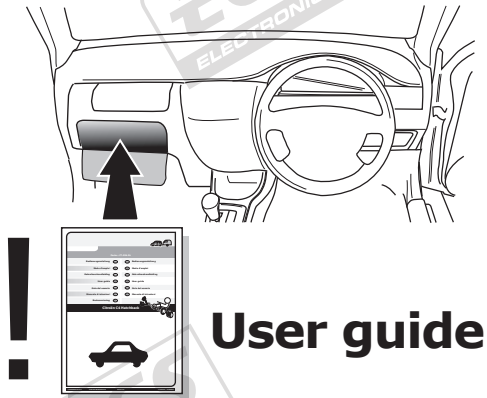
20

! TEST ALL THE CIRCUITS WITH A TEST DEVICE WITH THE CORRECT POWER LOAD FOR EACH FUNCTION. A TEST DEVICE WITH LED'S CANNOT BE USED FOR THIS PURPOSE.

INFO

REINSTALL TRIM.

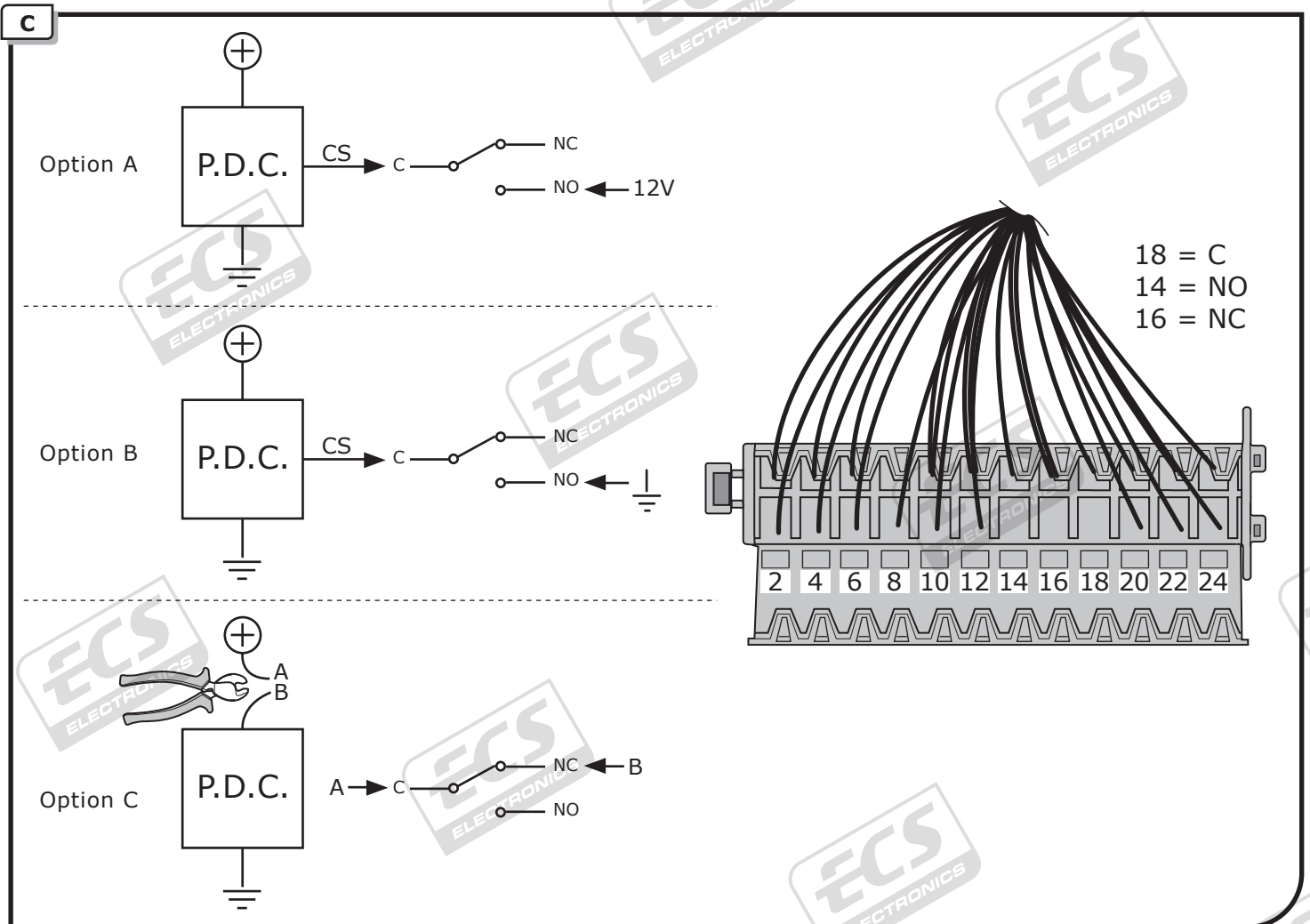
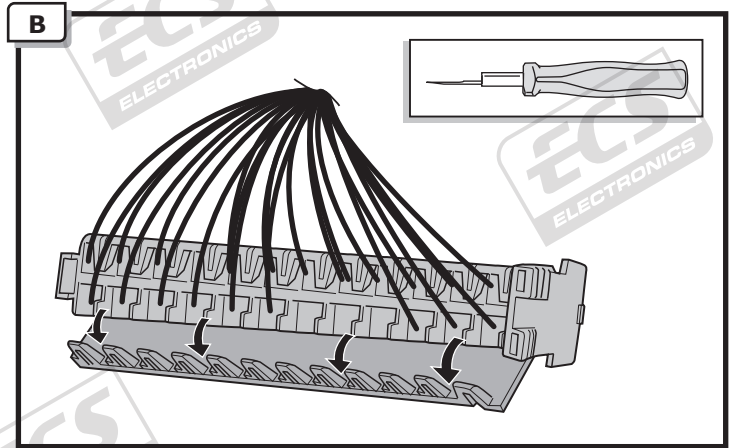
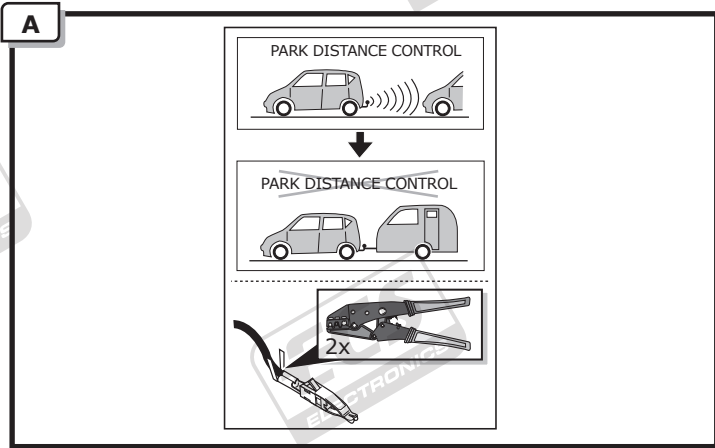
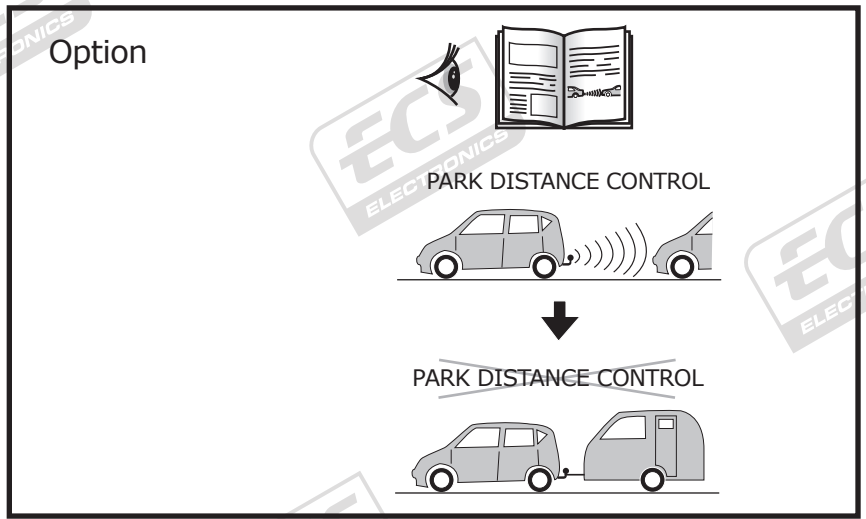
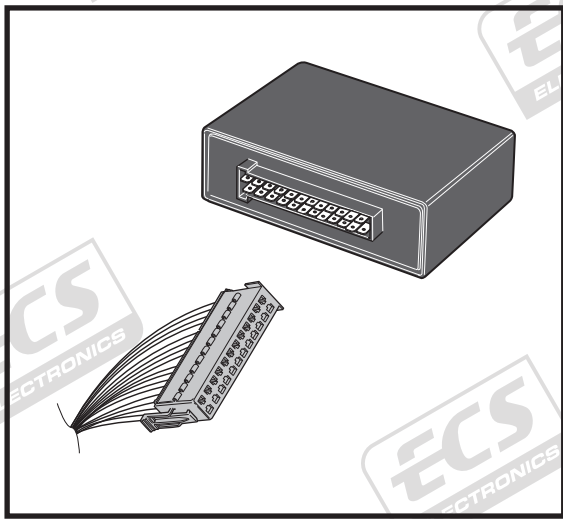
21

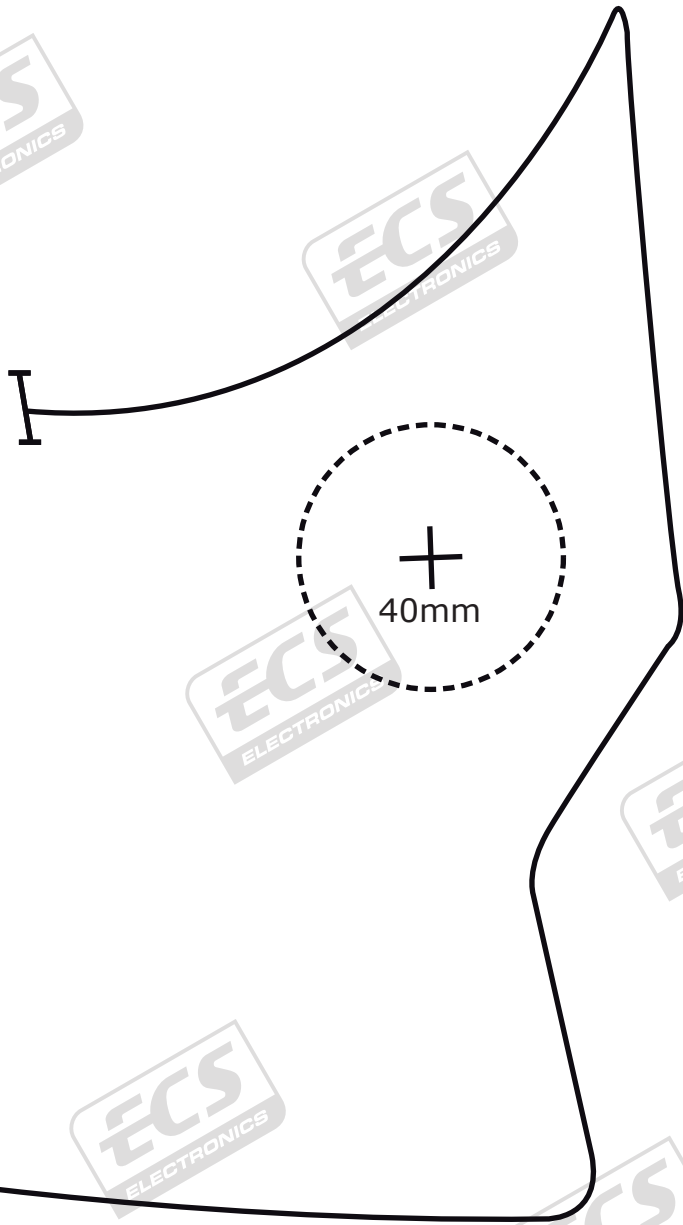
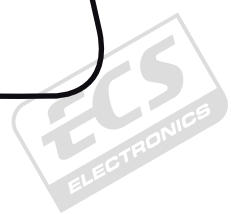
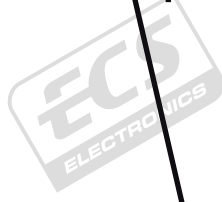
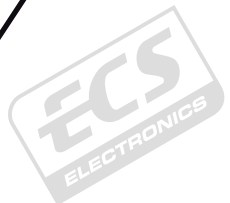
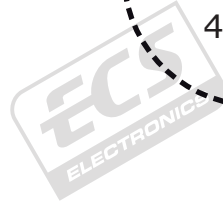
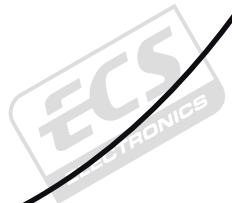
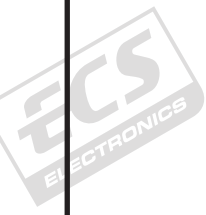
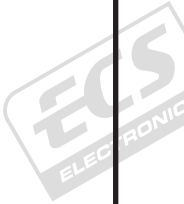
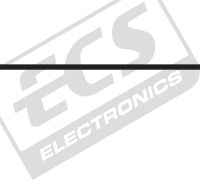


INFO

SOCKET CONNECTION

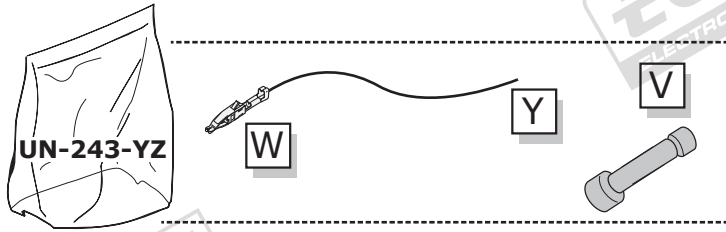
DIN/ISO 1724							
	1/L	2	3/31	4/R	5/58-R	6/54	7/58-L
Pmax	21W	21W		21W	52W	3x21W	52W
Colour	Yellow	Blue	White	Green	Brown	Red	Black



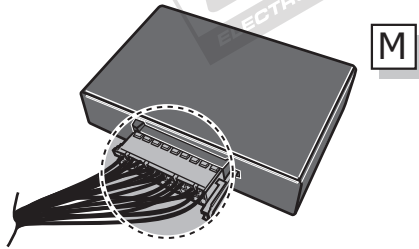


UN-243-YZ Reverse lamp pre-wire extension

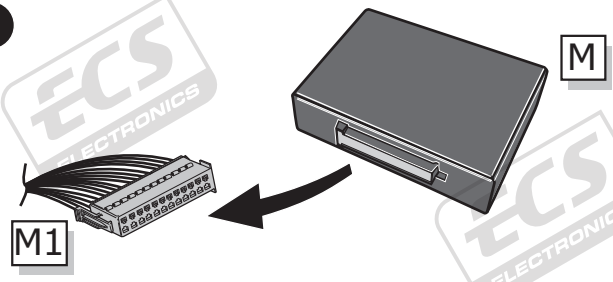
⚠ MAX = 21W



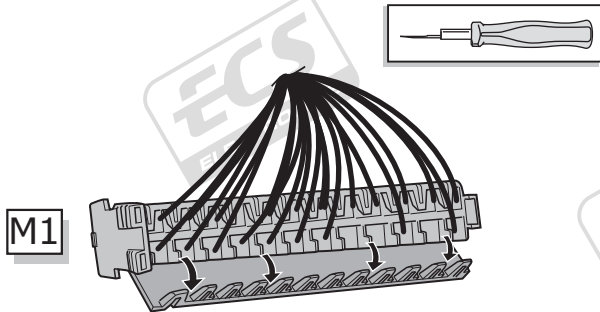
A



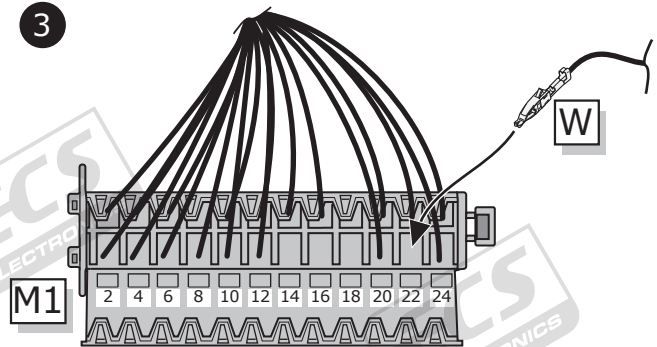
1



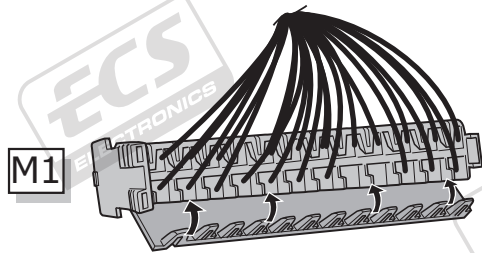
2



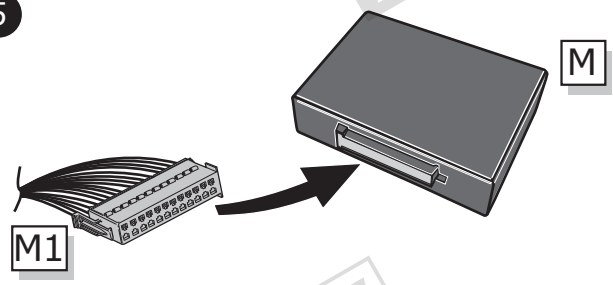
3



4



5



B

⚠ MAX = 21W

