

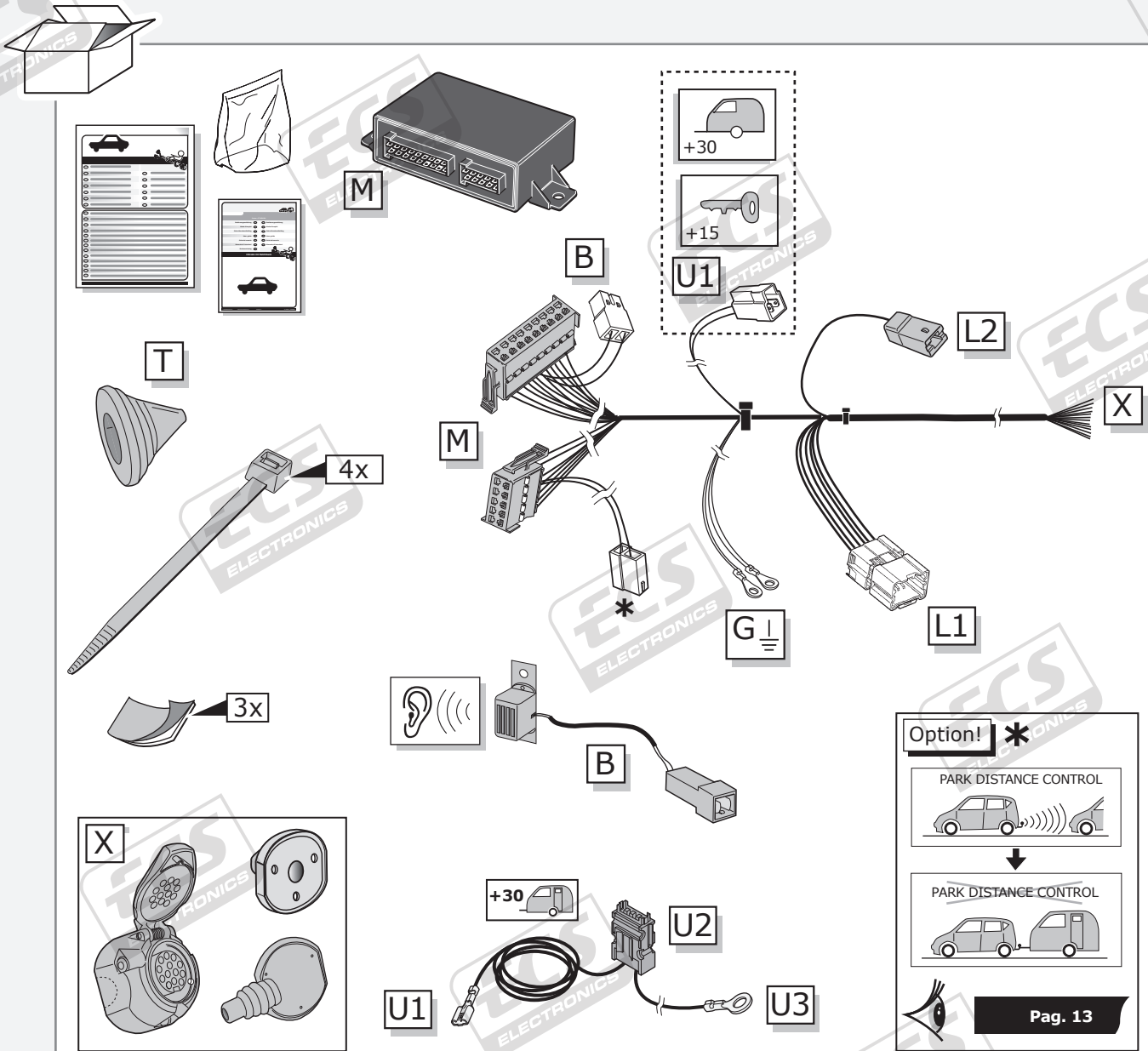
**Nissan X-trail 10/2007-
Nissan Qashqai 2007-
Nissan Qashqai+2 2008-**

Partnr.: NI-041-DHU

- Fitting instructions electric wiring kit tow bar with 13-P socket up to DIN/ISO Norm 11446.
- We would expressly point out that assembly not carried out properly by a competent installer will result in cancellation of any right to damage compensation, in particular those arising by virtue of the product liability act.
- Contents of these kits and their fitting manuals are subject to alteration without notice, please ensure that these instructions are read and fully understood before commencing installation.
- Do not overload circuits; the maximum loads per connection are detailed in this manual.
- Attention! Before Installation, please read this manual carefully and inform your customer to consult the vehicle owners manual to check for any vehicle modifications required before towing.
- In the event of functional problems, troubleshooting must be limited to about 0.5 hours, contact the technical support:
t.skinner@ecs-electronics.com / 07440 202 052.



Part list



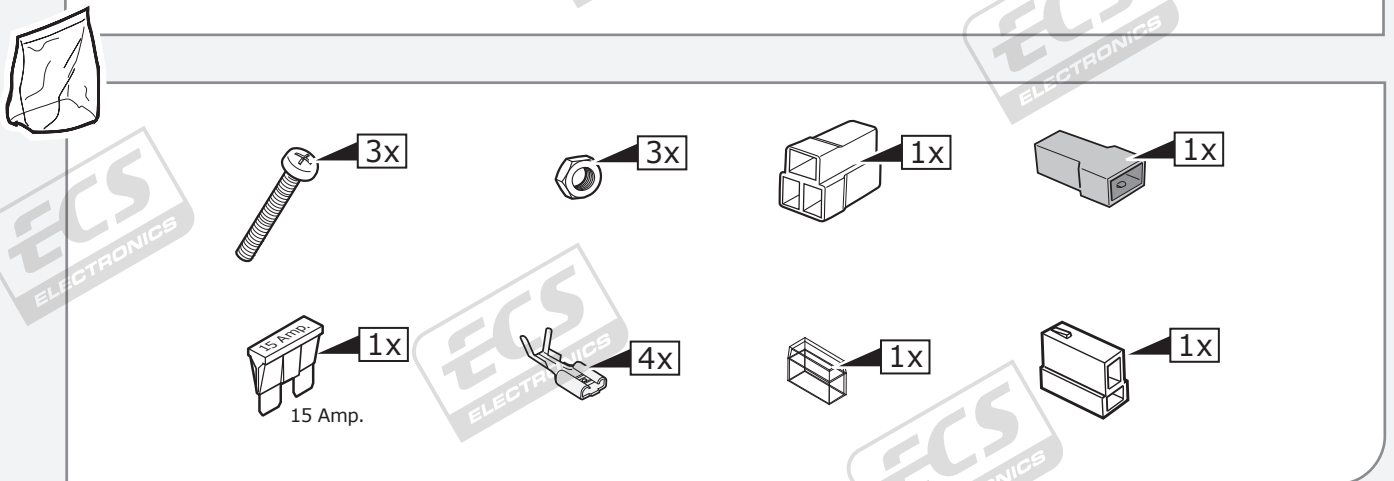
Option! *

PARK DISTANCE CONTROL

↓

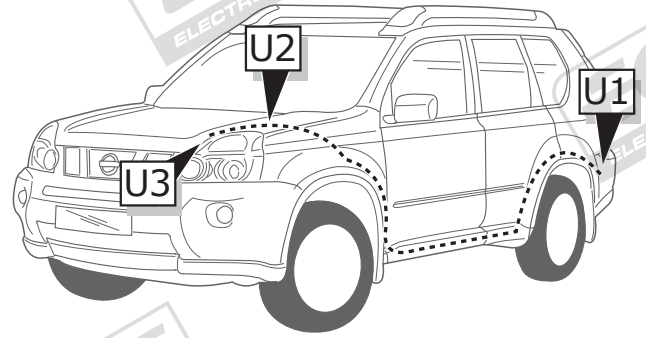
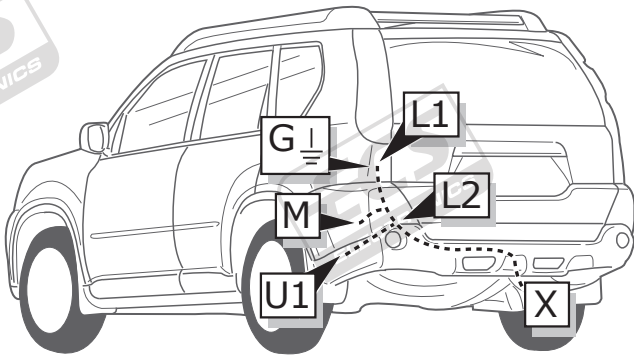
PARK DISTANCE CONTROL

Pag. 13

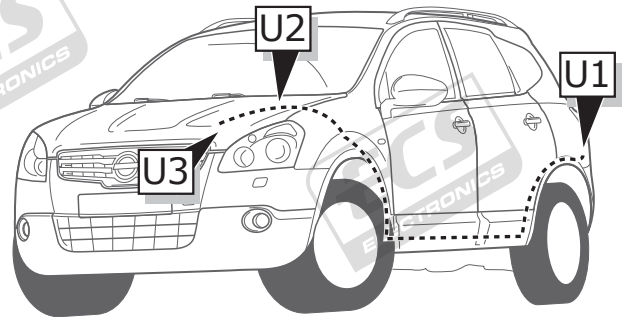
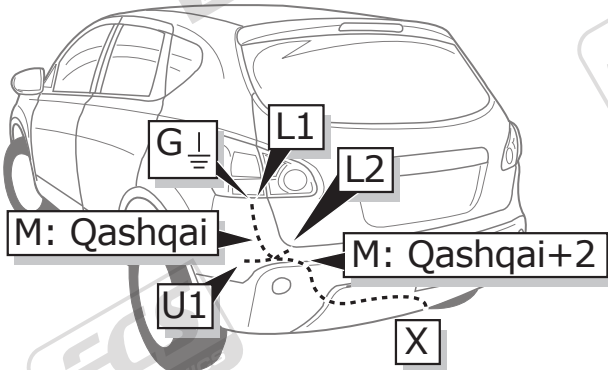


ROUTING

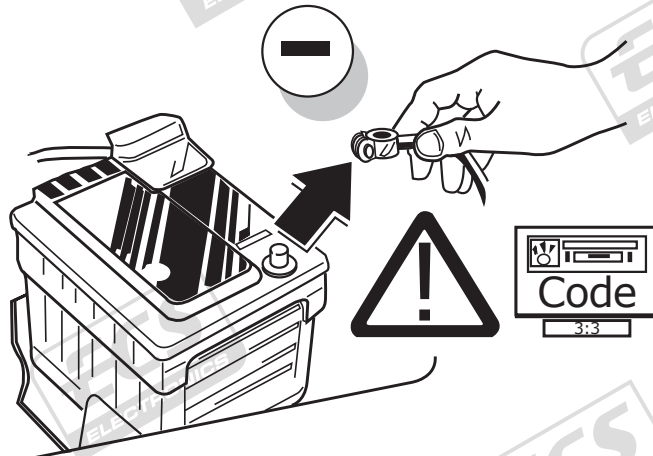
X-trail



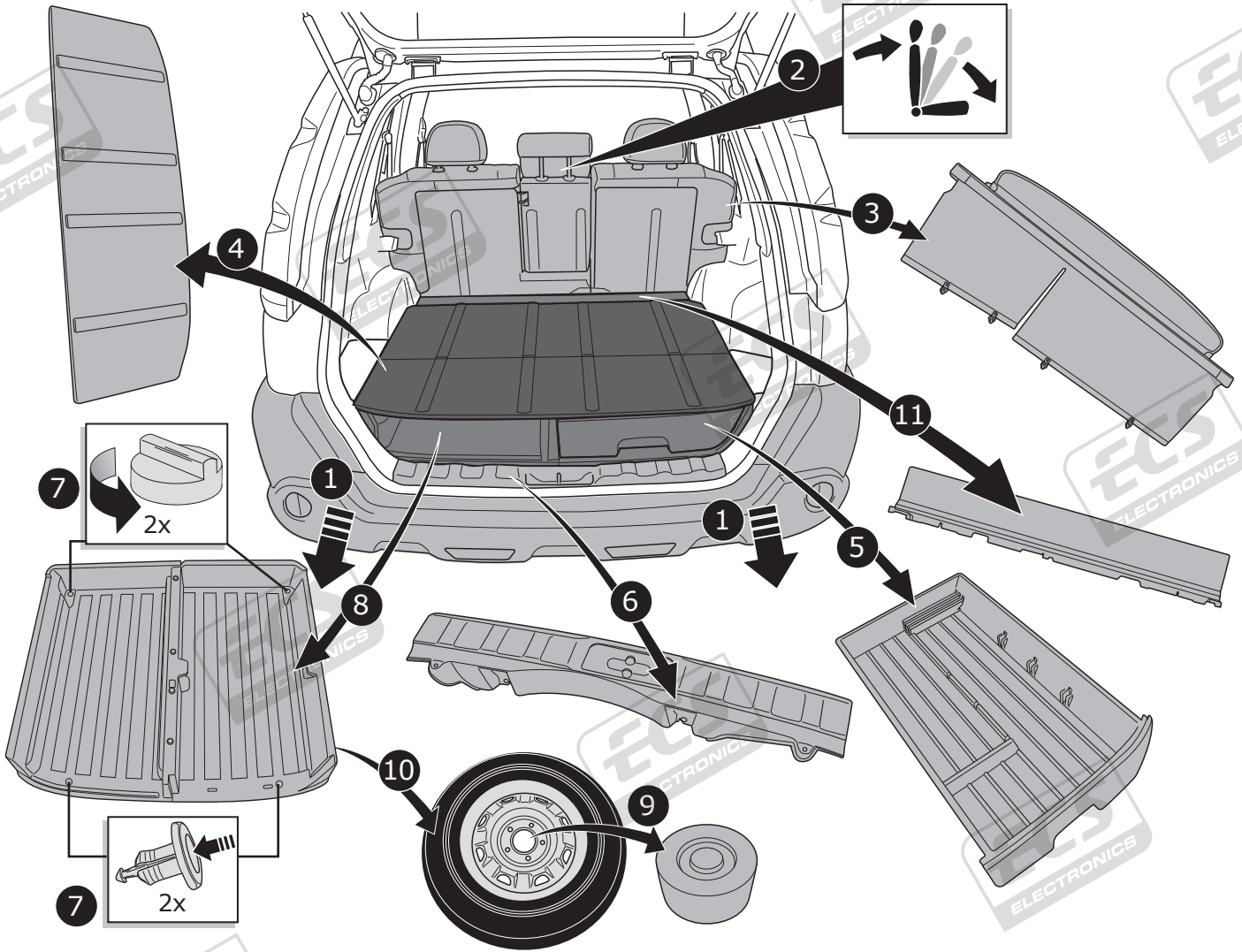
Qashqai & Qashqai+2



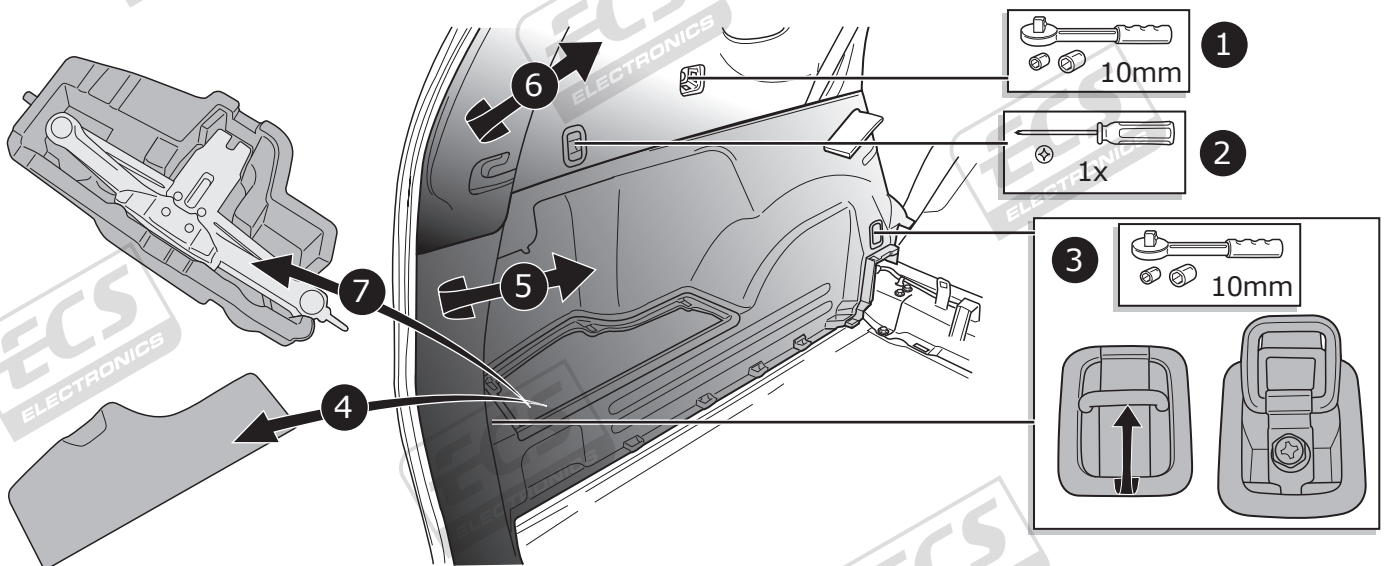
1



2

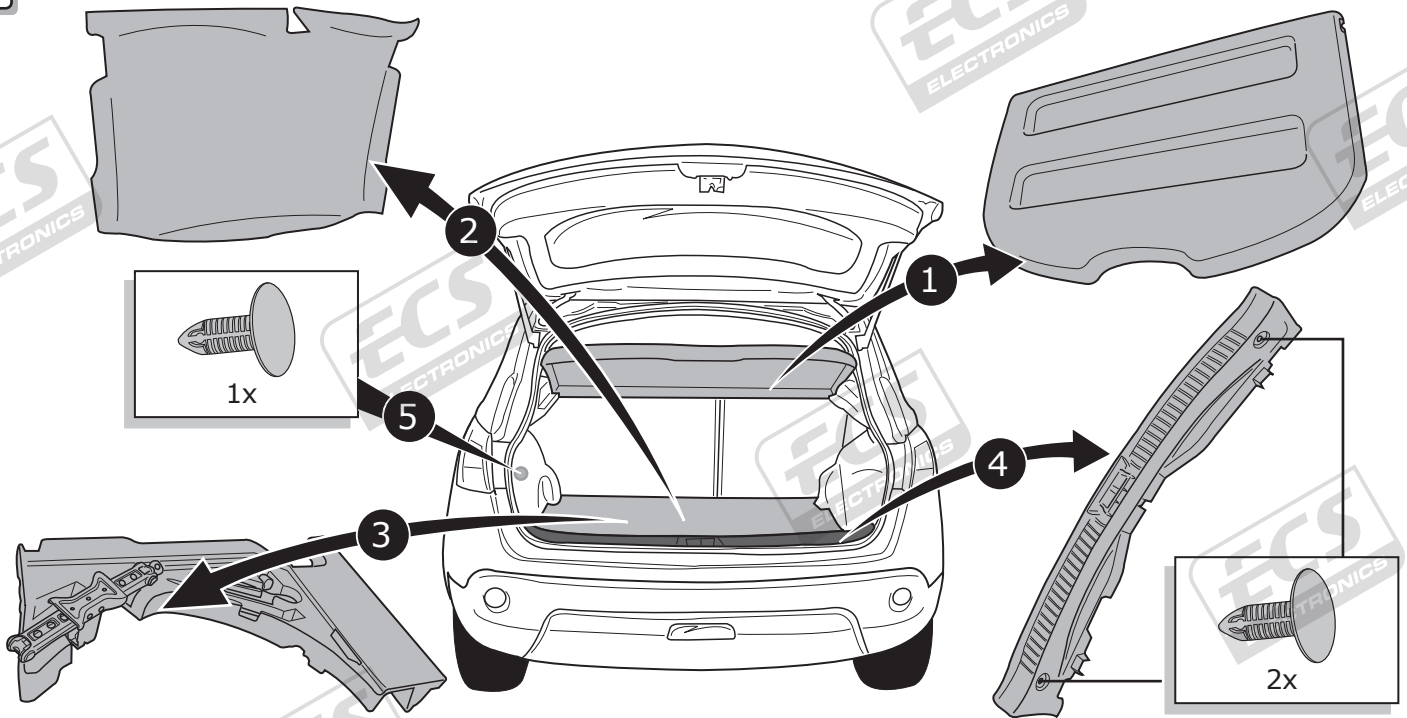


3



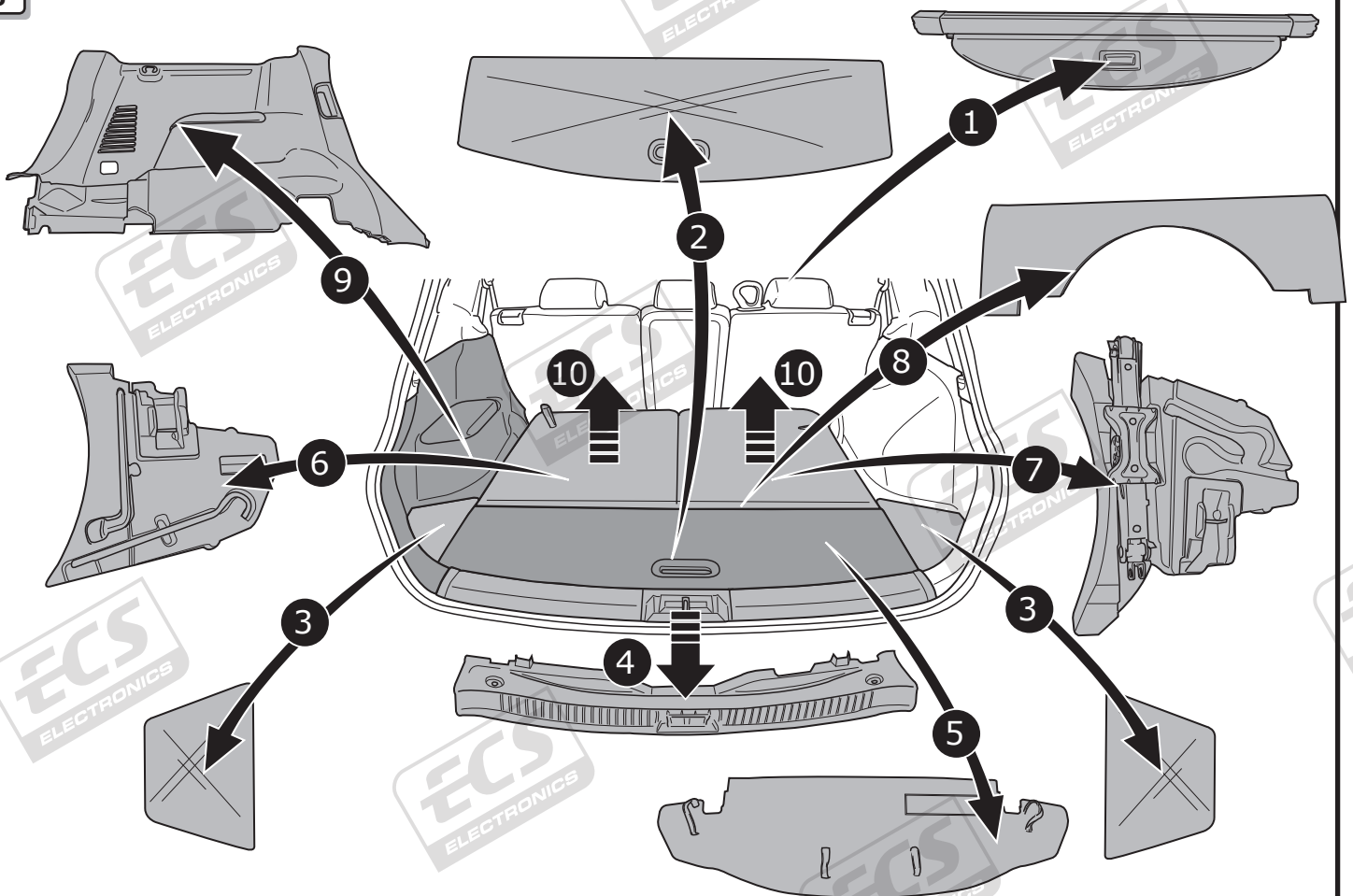
Qashqai

4



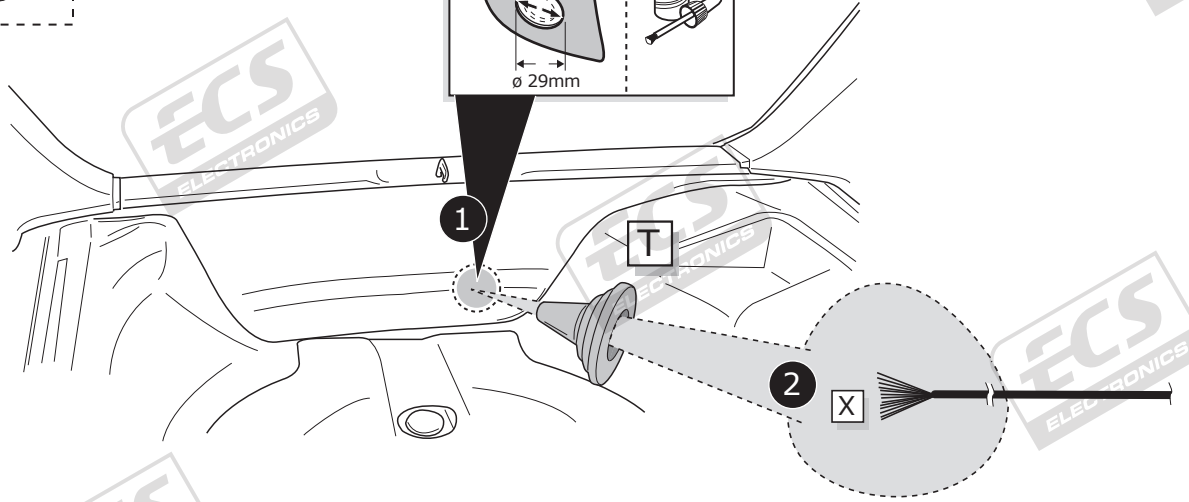
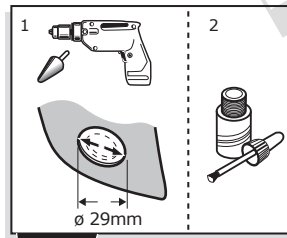
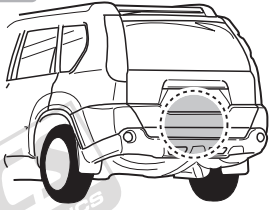
Qashqai+2

5



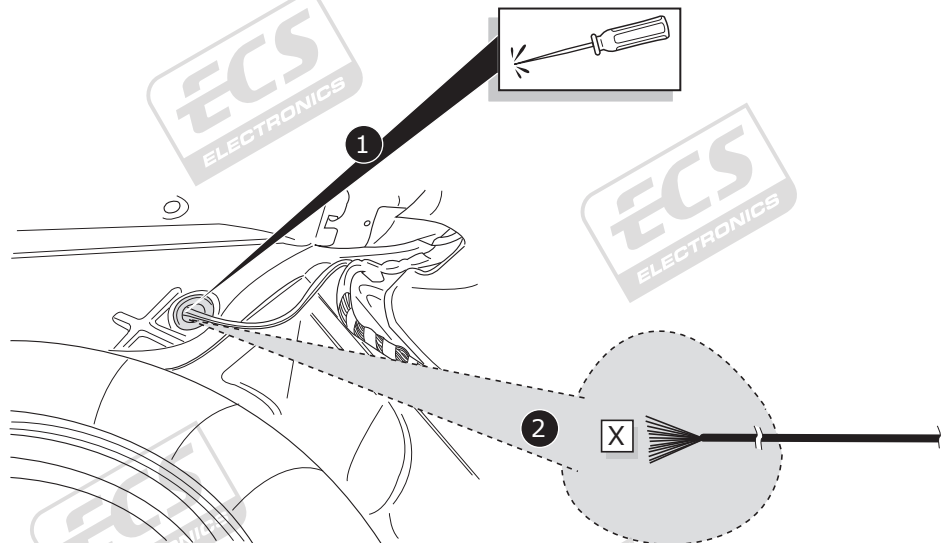
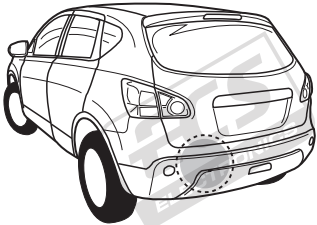
X-trail

6



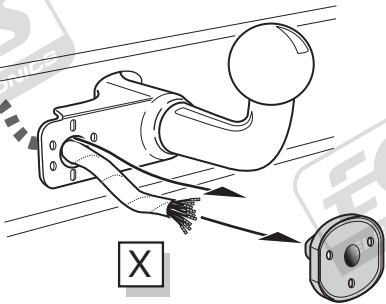
Qashqai & Qashqai+2

7

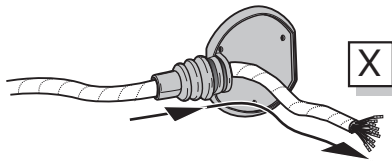


X-trail & Qashqai & Qashqai+2

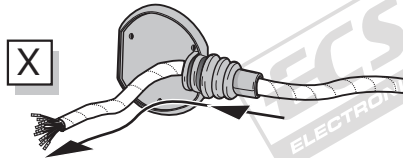
A Option 1



Option 2



Option 3



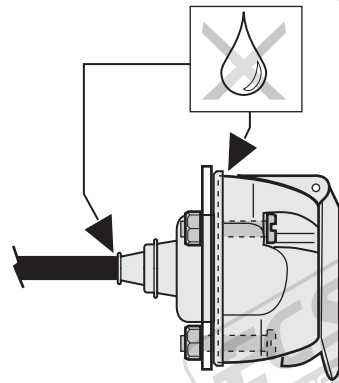
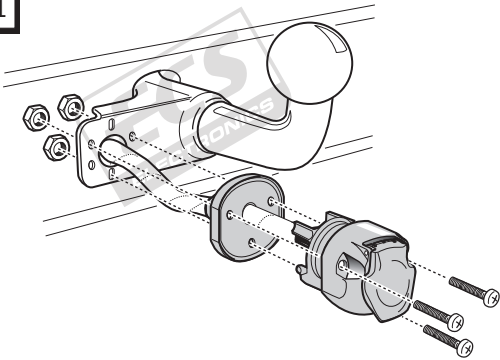
INFO

SOCKET CONNECTION

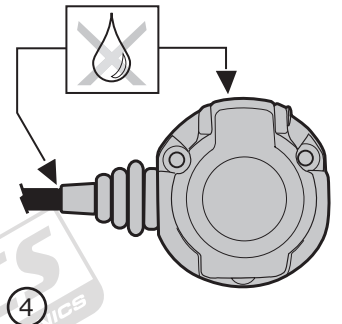
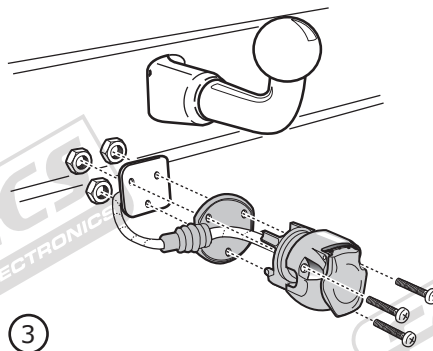
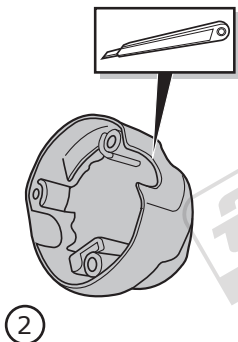
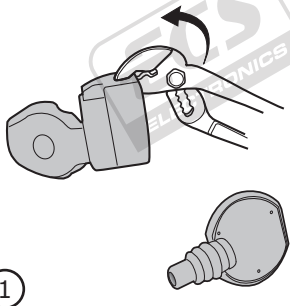


Pag. 12

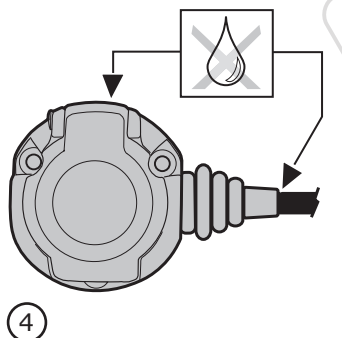
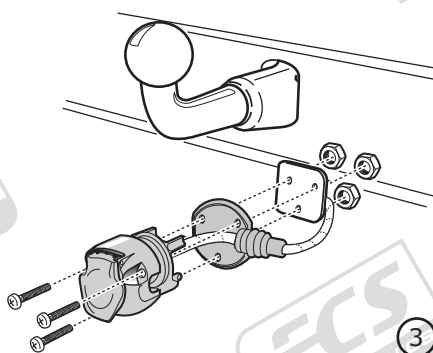
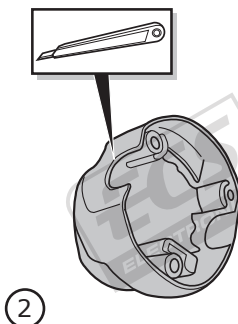
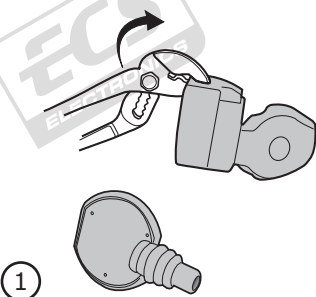
B Option 1



C Option 2

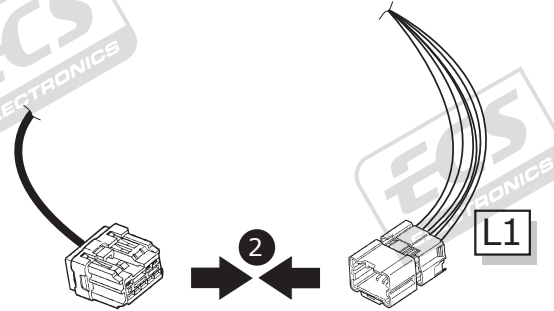
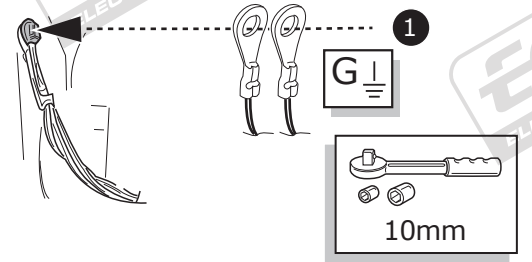
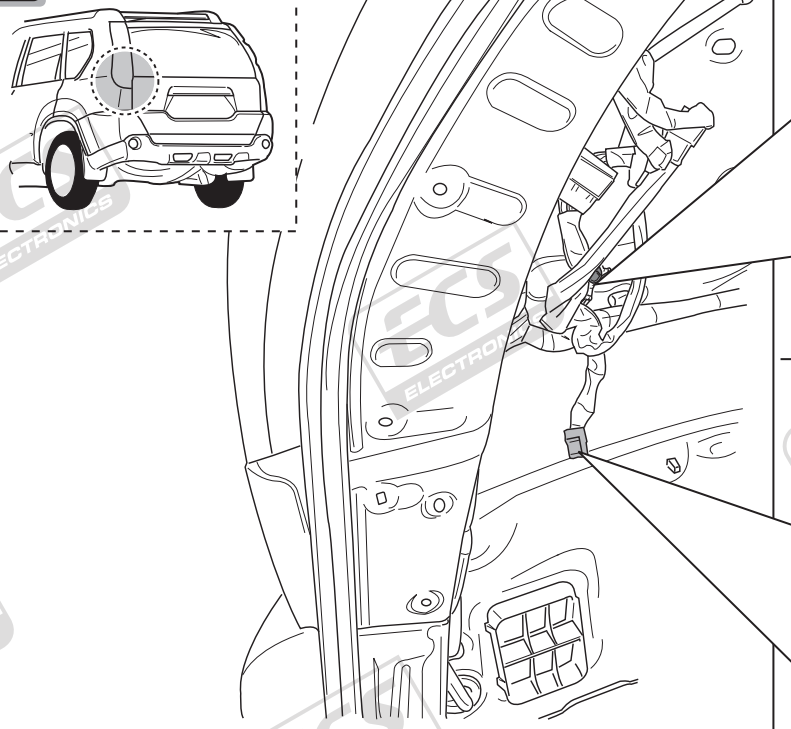


D Option 3



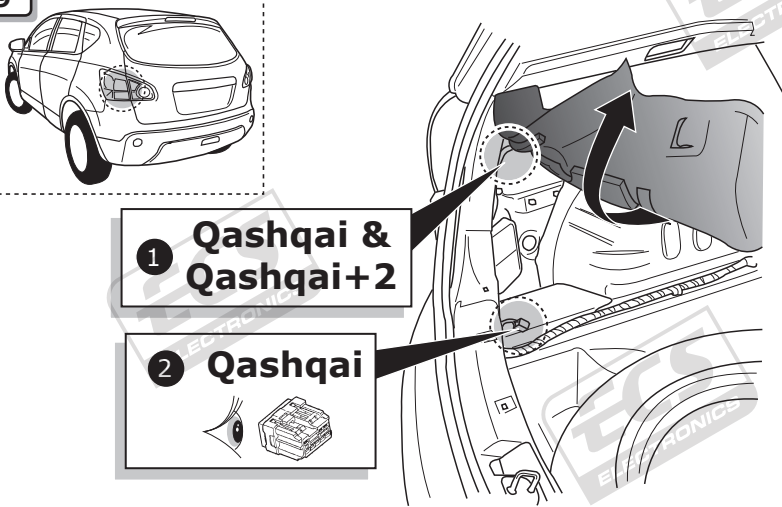
X-trail

8

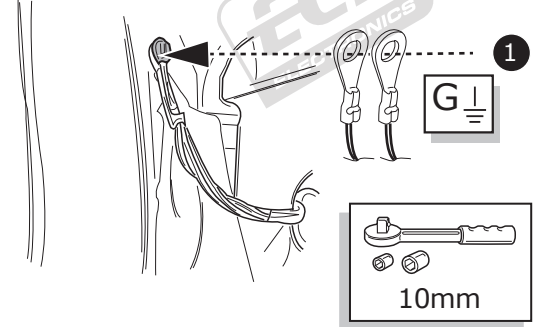


Qashqai & Qashqai+2

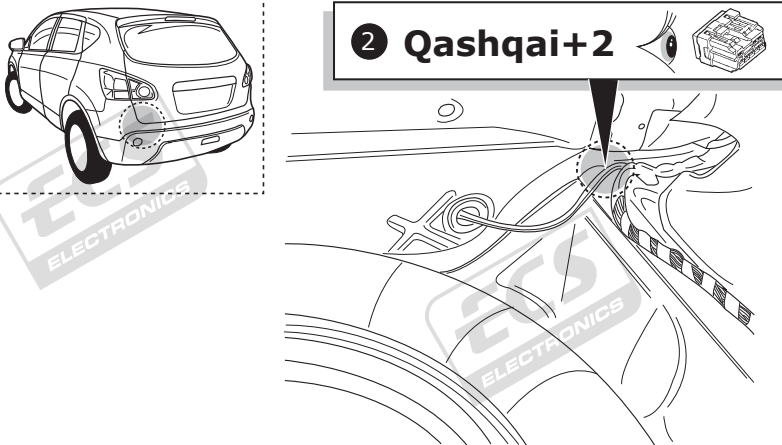
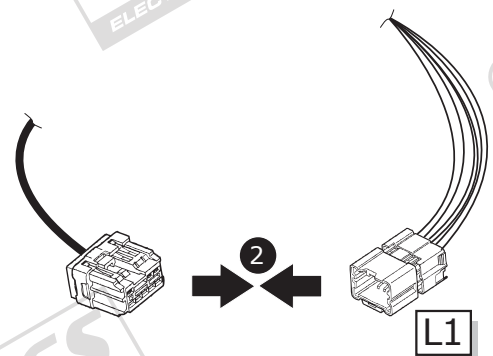
9



Qashqai & Qashqai+2

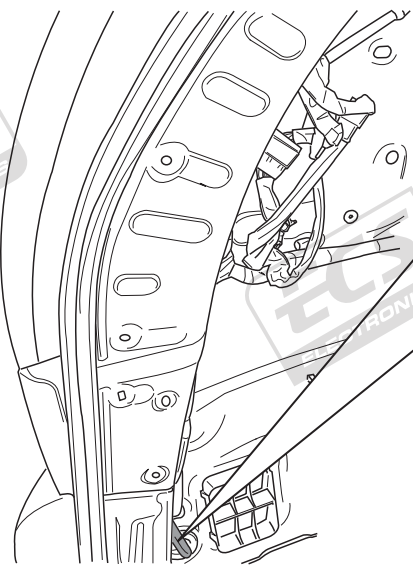


Qashqai & Qashqai+2



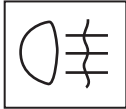
10

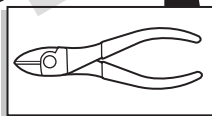
X-trail



1

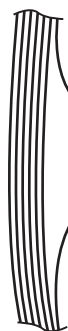
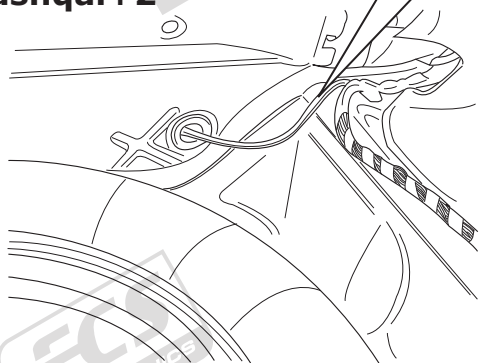


	
X-trail	Qashqai
Orange	Yellow

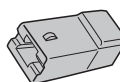
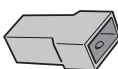
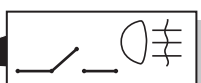


2

Qashqai & Qashqai+2



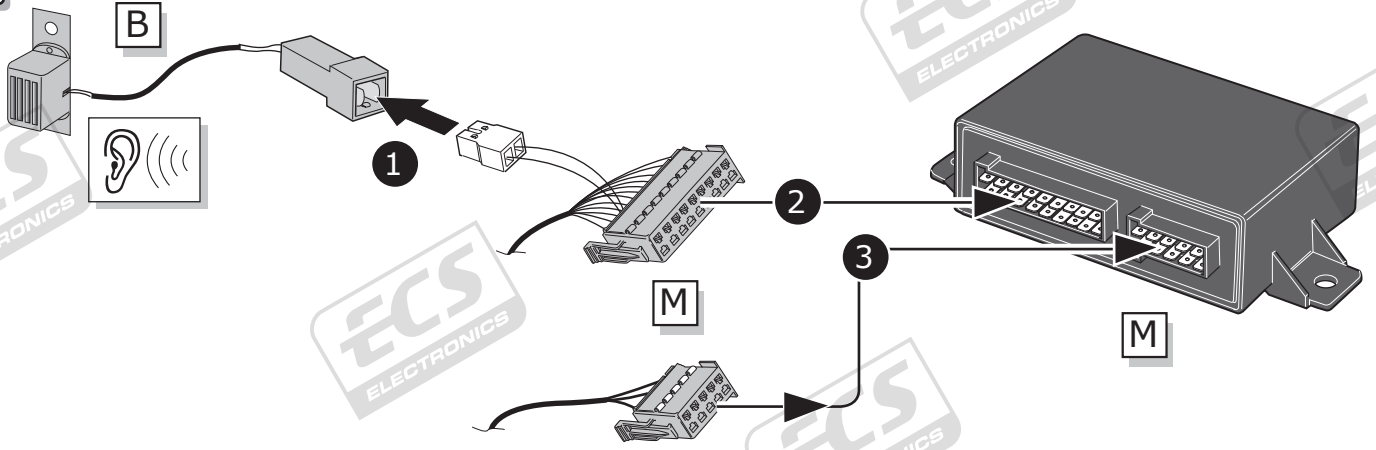
3



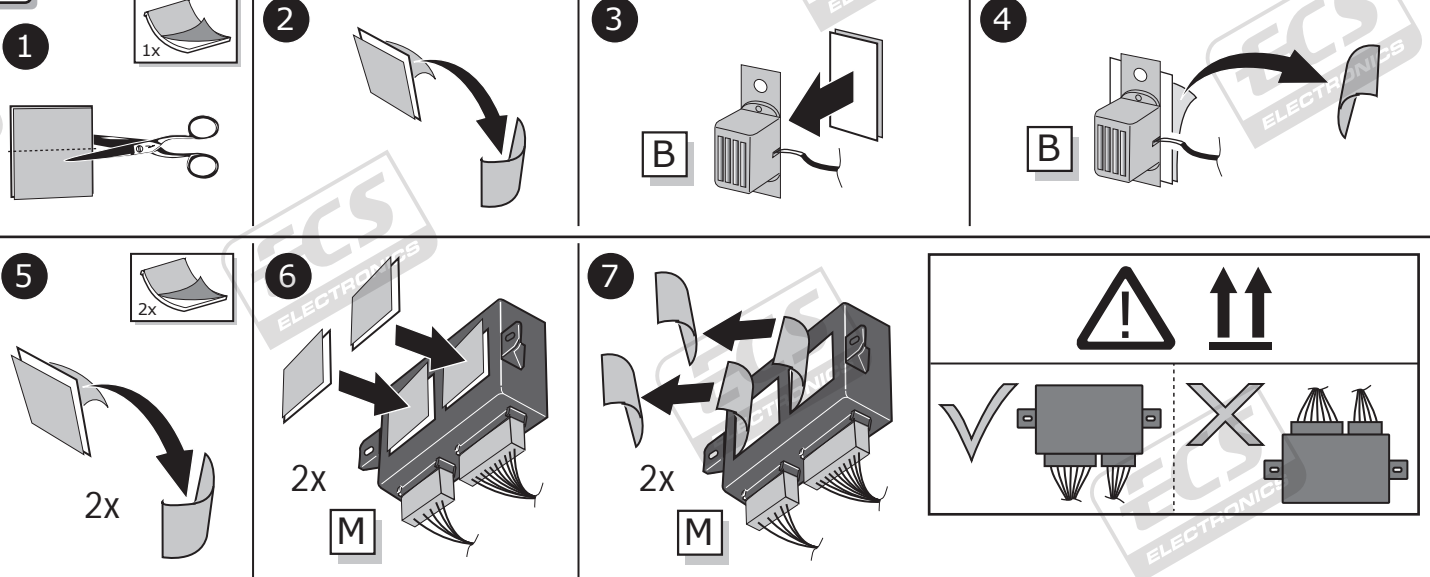
L2

X-trail & Qashqai & Qashqai+2

11

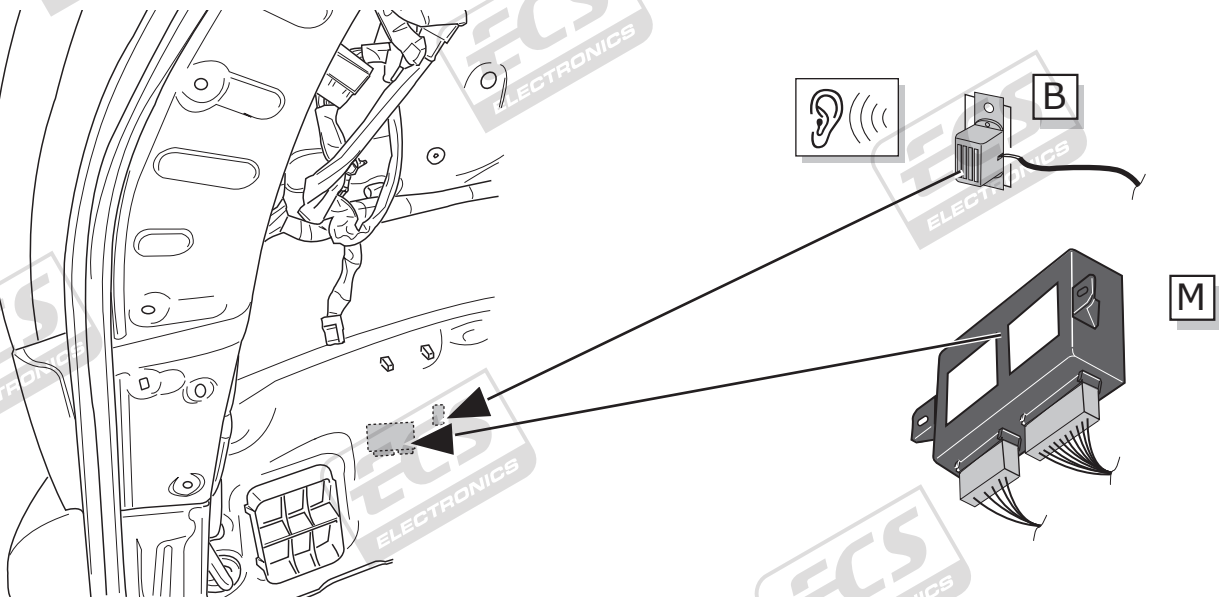


12



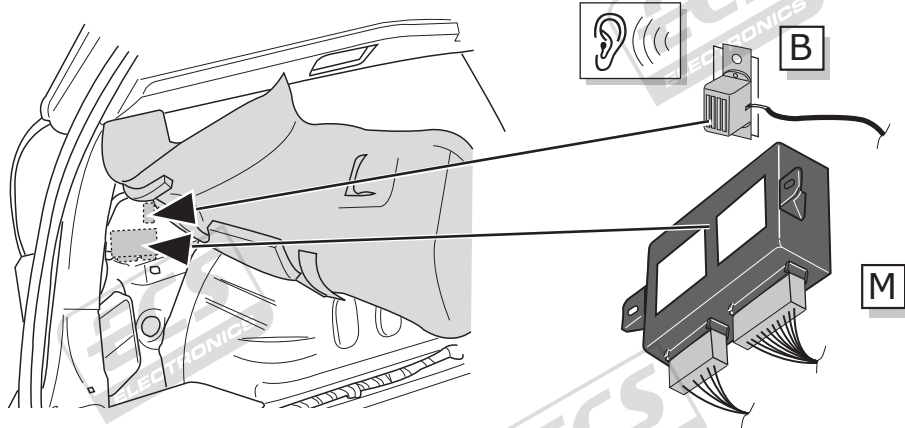
X-trail

13

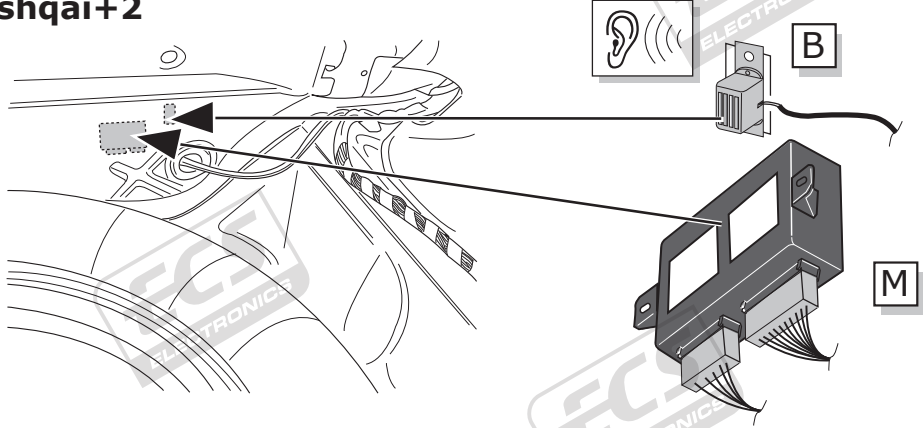


Qashqai & Qashqai+2

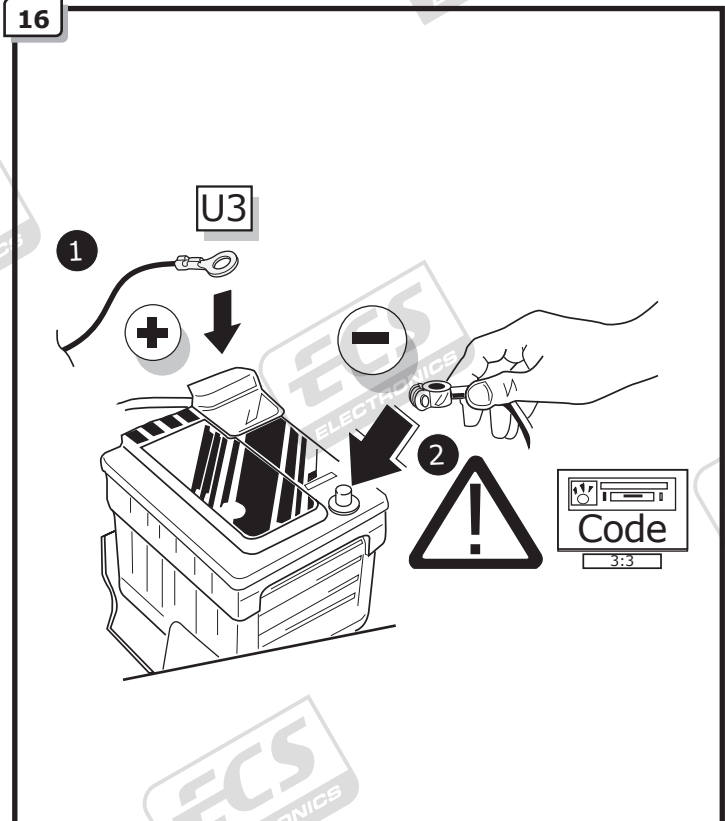
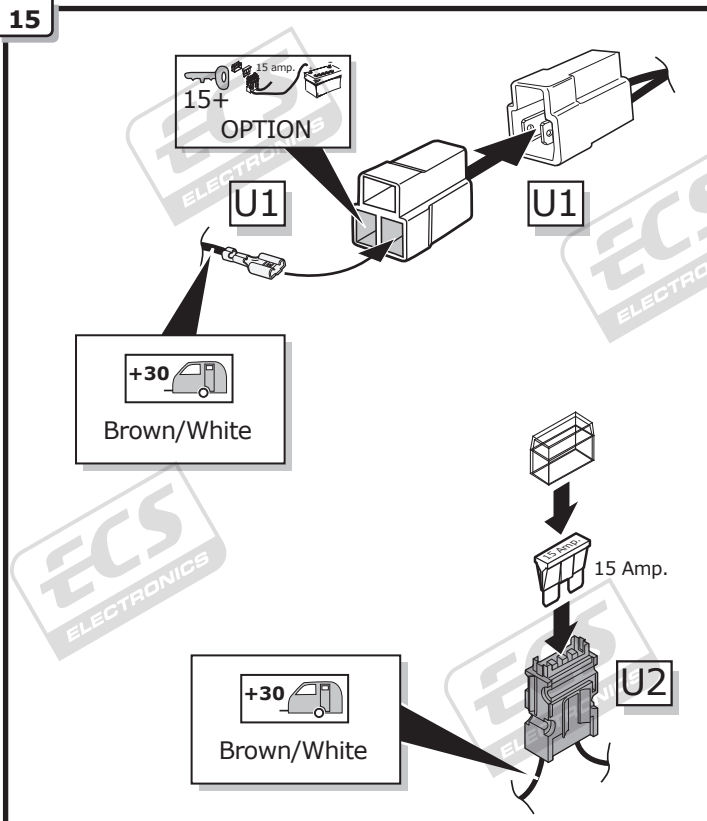
14 Qashqai



Qashqai+2



X-trail & Qashqai & Qashqai+2



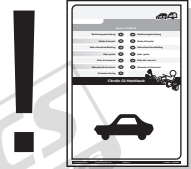
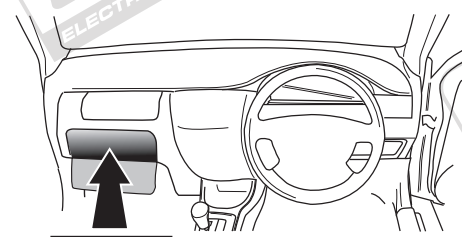
17

TEST ALL THE CIRCUITS WITH A TEST DEVICE WITH THE CORRECT POWER LOAD FOR EACH FUNCTION. A TEST DEVICE WITH LED'S CANNOT BE USED FOR THIS PURPOSE.

INFO

REINSTALL TRIM.

18



User guide

TECHNICAL SUPPORT

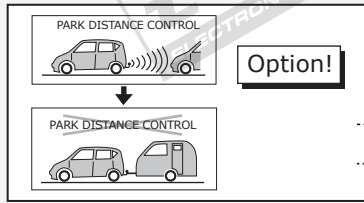
CALL 07440 202 052

ECS ELECTRONICS MONDAY TO FRIDAY
08.00 - 11.00 am
12.00 - 05.00 pm
t.skinner@ecs-electronics.com
www.ecs-electronicsuk.co.uk

INFO

SOCKET CONNECTION

DIN/ISO 11446													
1/L	2	3/31	4/R	5/58-R	6/54	7/58-L	8	9	10	11	12	13	
Pmax	21W	2x21W		21W	52W	3x21W	52W	2x21W	180W/15Amp	180W/15Amp			
Colour	Yellow	Blue	White	Green	Brown	Red 1,00 mm ²	Black	Black/ Red	Brown/ White	Red 2,50 mm ²	White	-	White



Option!

