

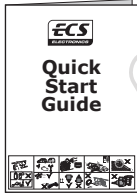
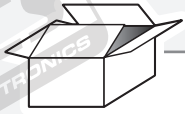
Mitsubishi L200 2016- Fiat Fullback 07/2016-

Partnr.: MT-131-DHU

- Fitting instructions electric wiring kit tow bar with 13-P socket up to DIN/ISO Norm 11446.
- We would expressly point out that assembly not carried out properly by a competent installer will result in cancellation of any right to damage compensation, in particular those arising by virtue of the product liability act.
- Contents of these kits and their fitting manuals are subject to alteration without notice, please ensure that these instructions are read and fully understood before commencing installation.
- Do not overload circuits; the maximum loads per connection are detailed in this manual.
- Attention! Before Installation, please read this manual carefully and inform your customer to consult the vehicle owners manual to check for any vehicle modifications required before towing.
- In the event of functional problems, troubleshooting must be limited to about 0.5 hours, contact the technical support:
t.skinner@ecs-electronics.com / 07440 202 052.



Part list

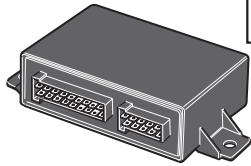
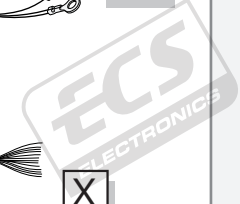


U



U1

G



M



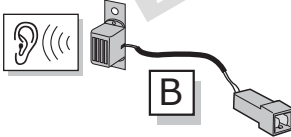
3x



M2

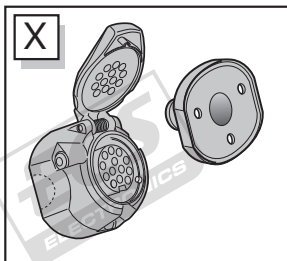
T

M1

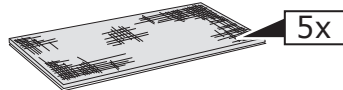


B

B



X



5x



35x



4x



SP-137-ZZU

* OPTION +15

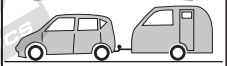


OPTION P.D.C.

PARK DISTANCE CONTROL



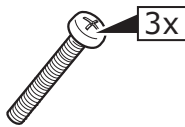
PARK DISTANCE CONTROL



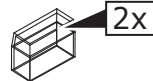
3x



Pag. 18 - 19



3x



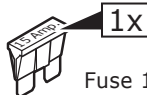
2x



2x



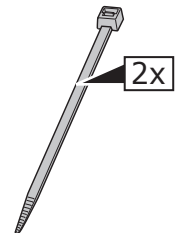
3x



Fuse 15 Amp.

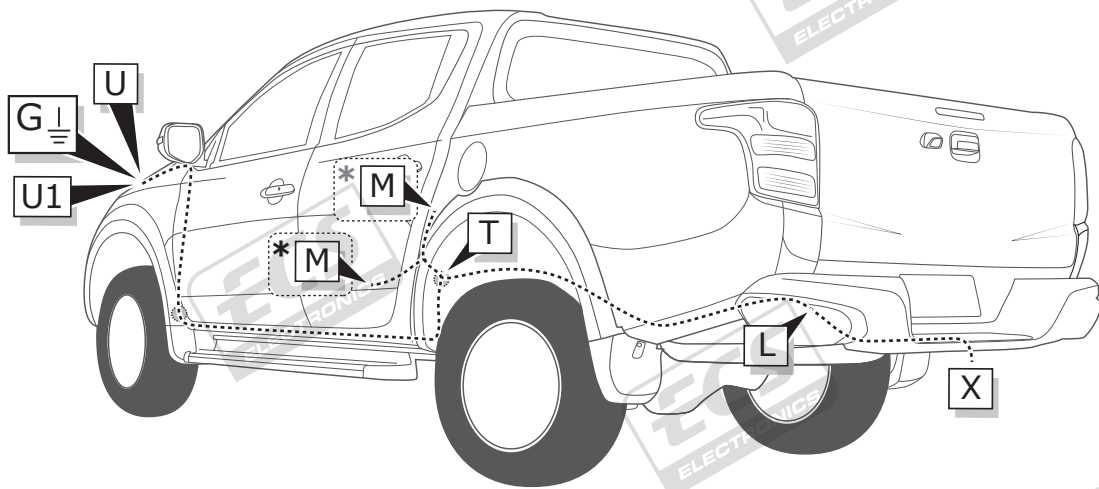


Fuse 20 Amp.



2x

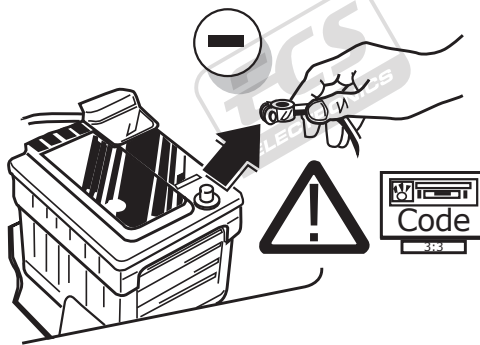
ROUTING



* **Double Cab**

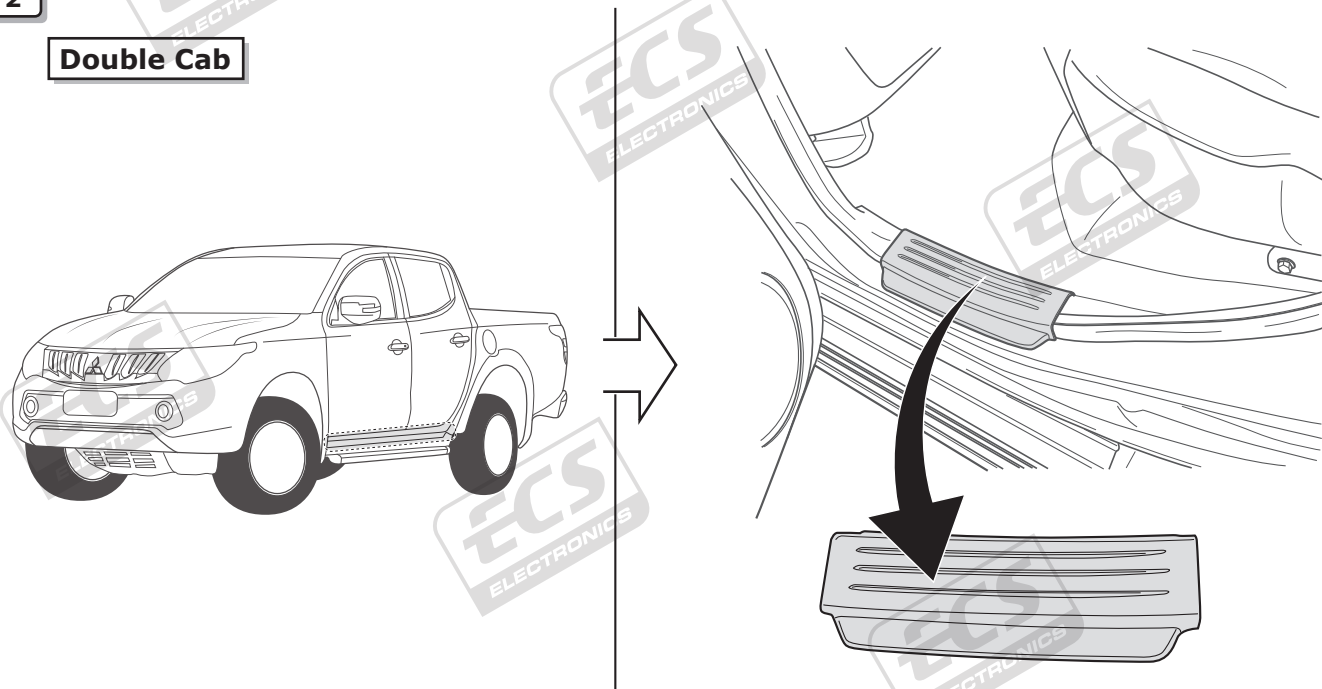
* **Club Cab**

1

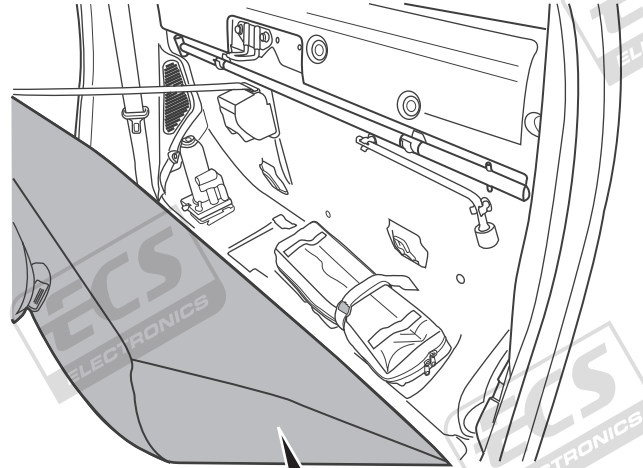
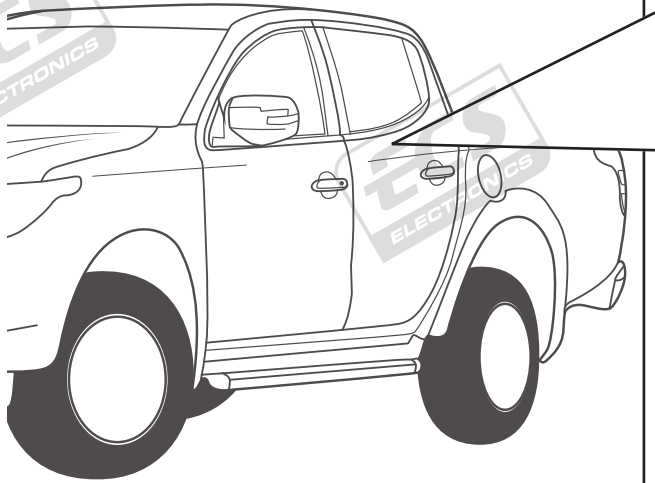


2

Double Cab

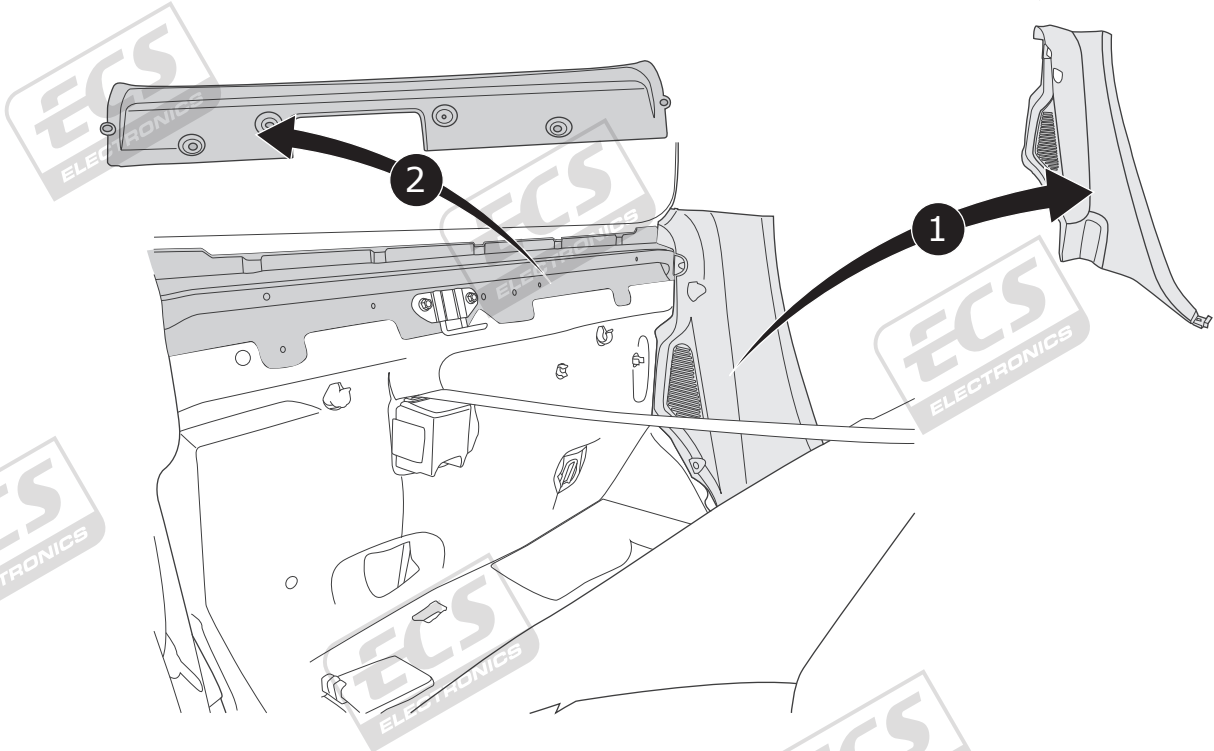


3

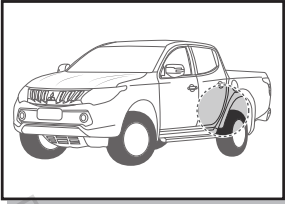


4

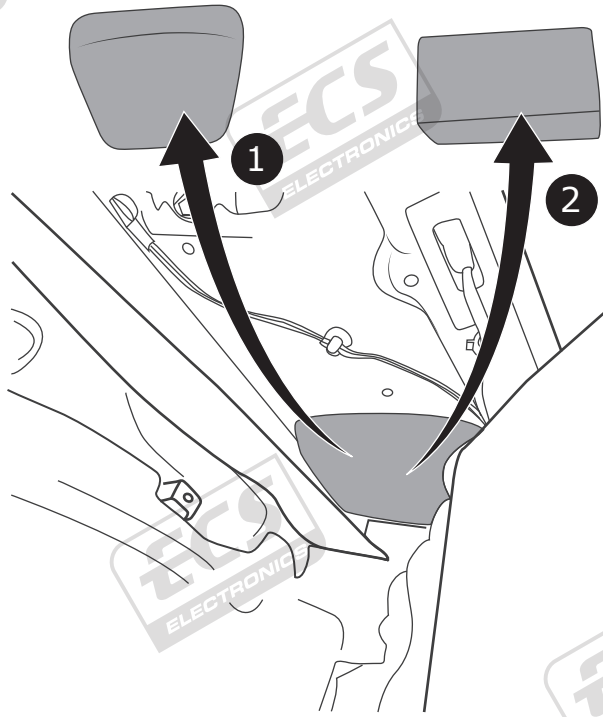
Double Cab



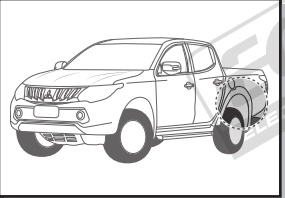
5



Double Cab

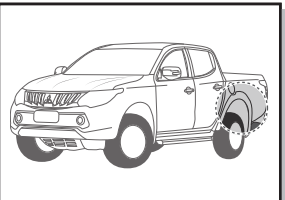
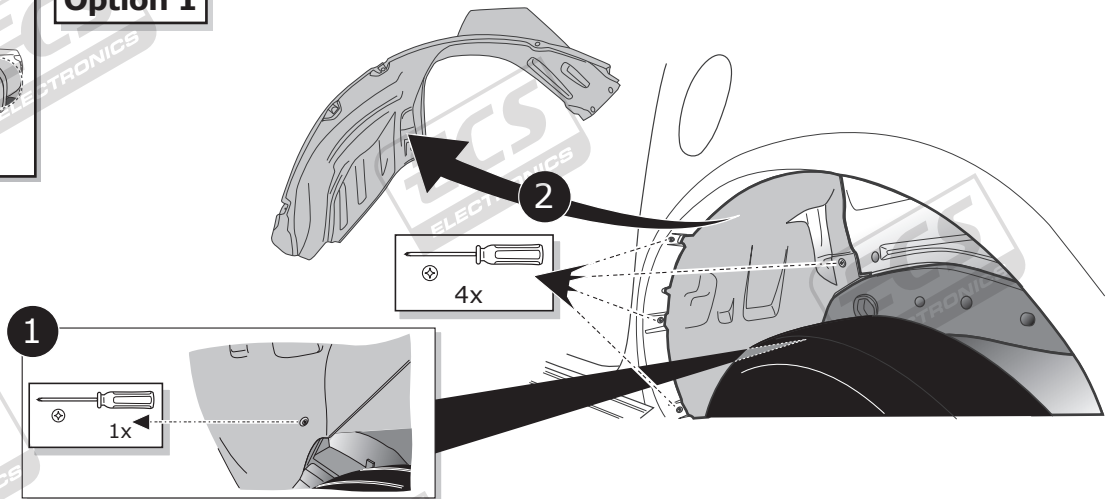


6



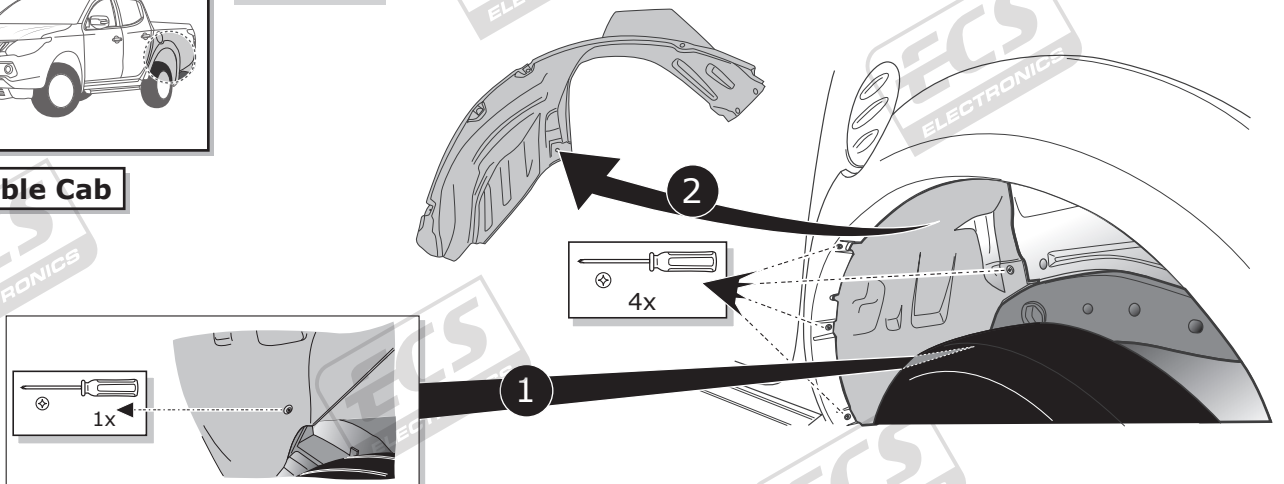
Double Cab

Option 1

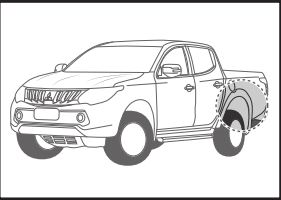


Double Cab

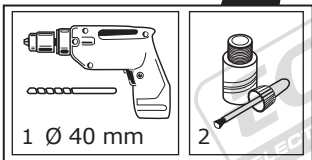
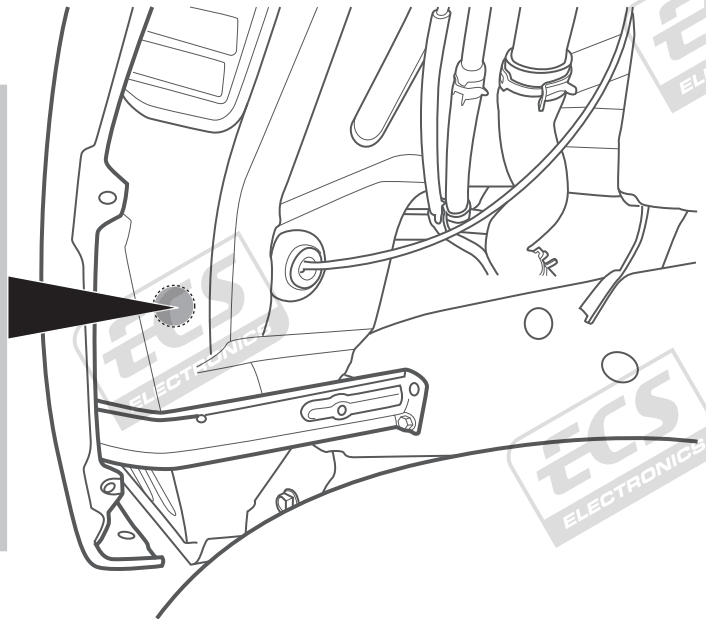
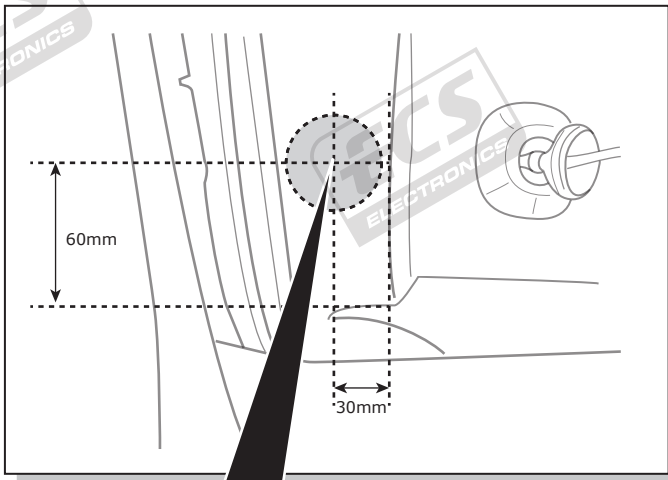
Option 2



7

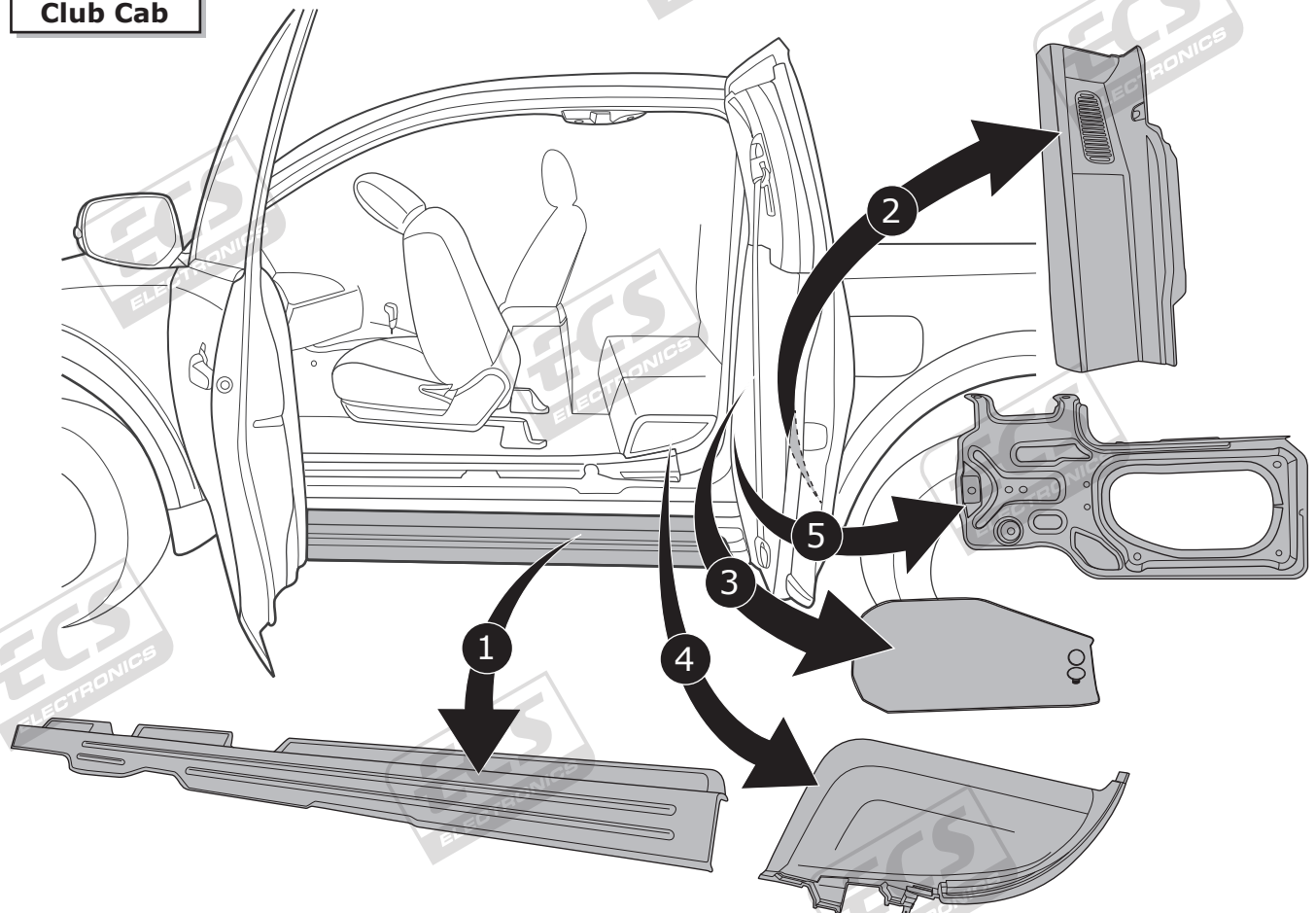


Double Cab

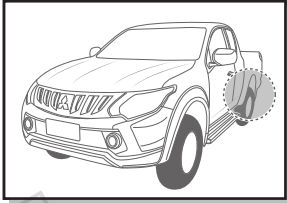


8

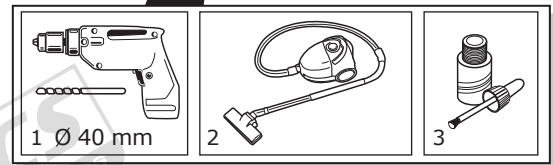
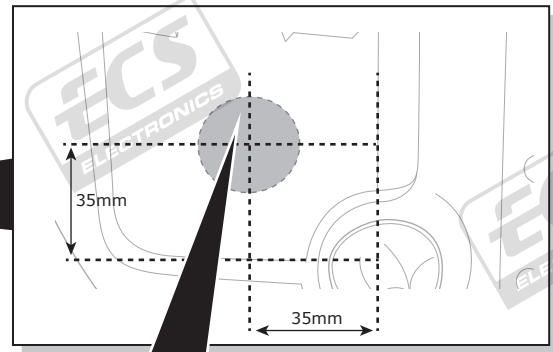
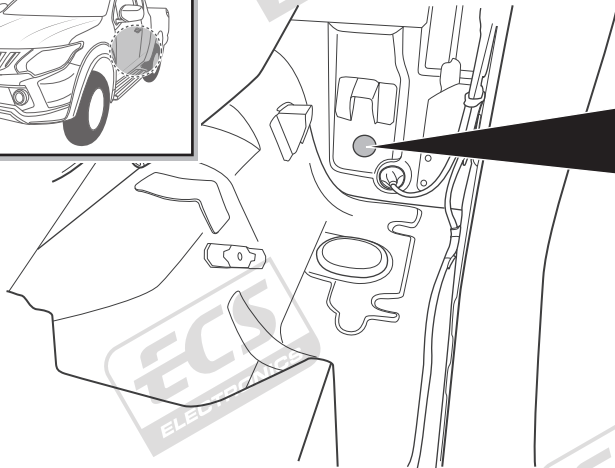
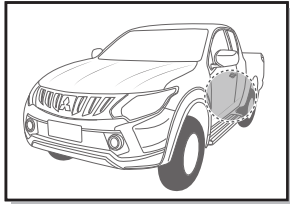
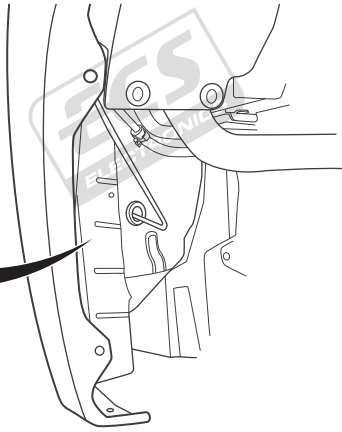
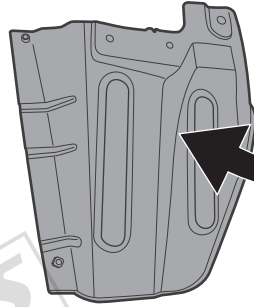
Club Cab



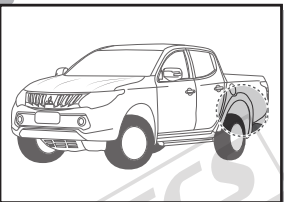
9



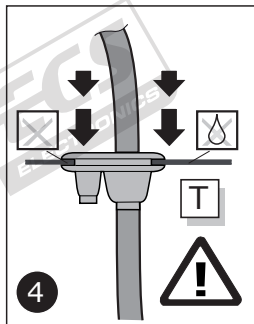
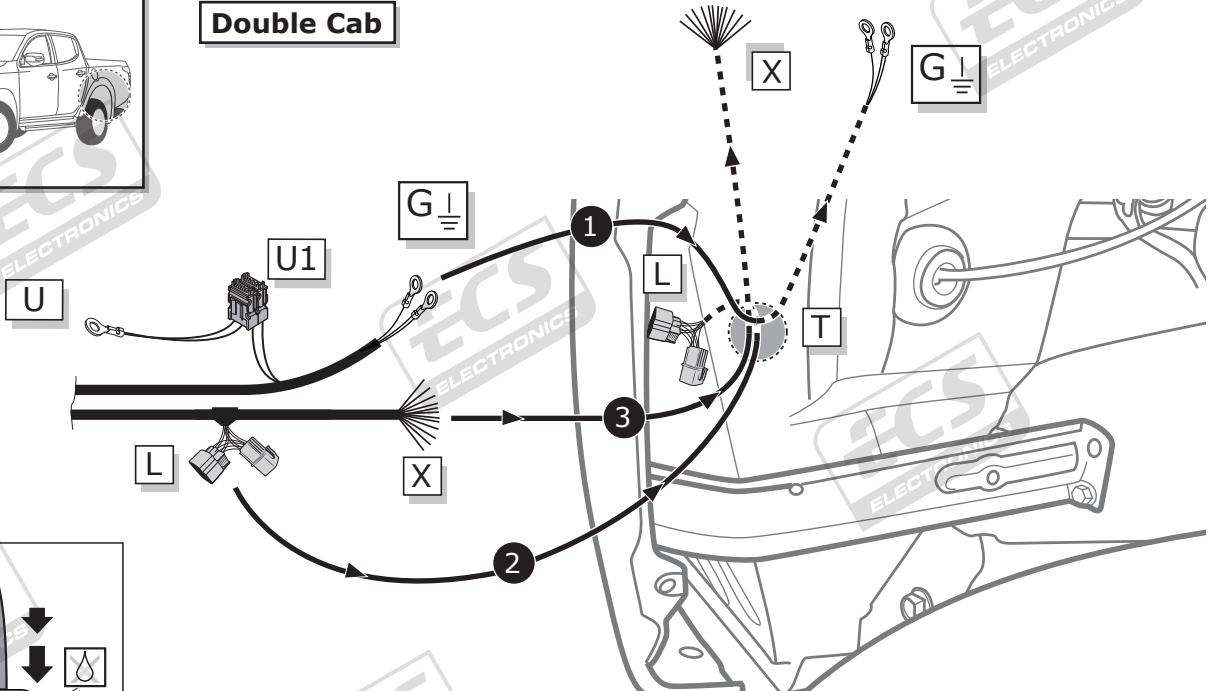
Club Cab



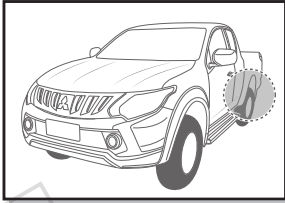
10



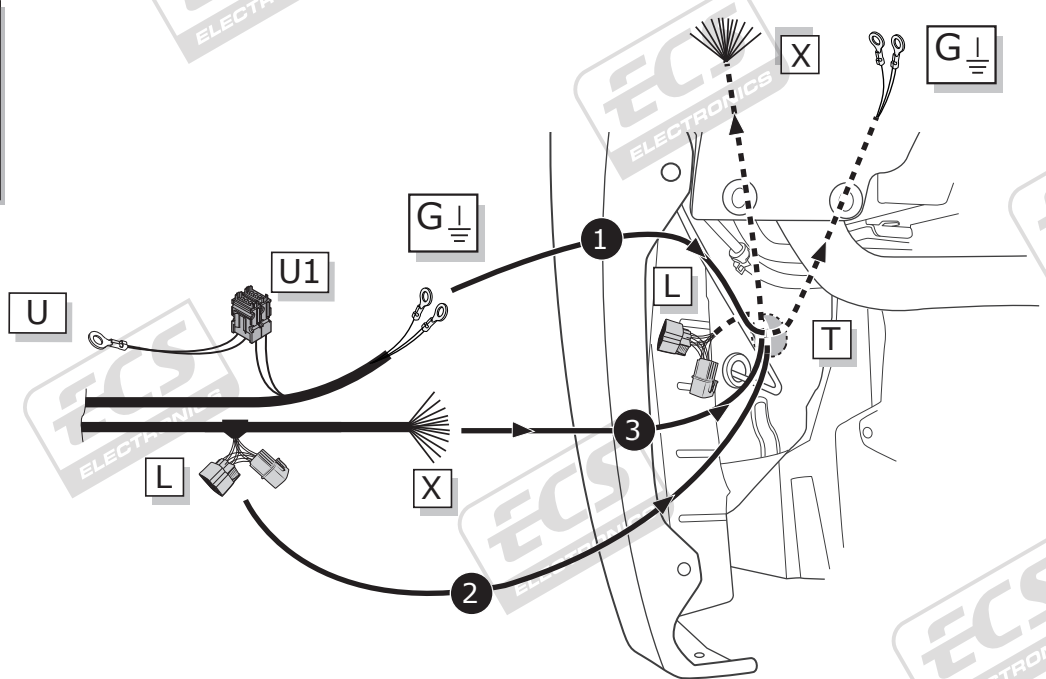
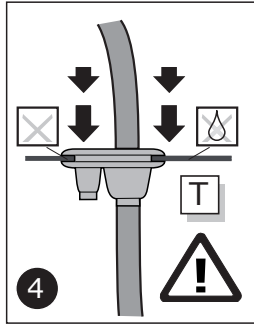
Double Cab



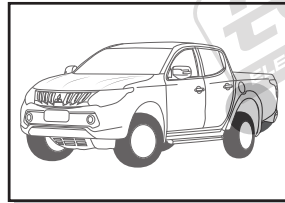
11



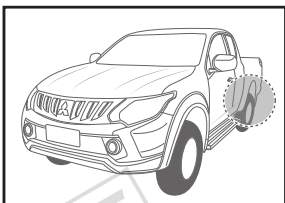
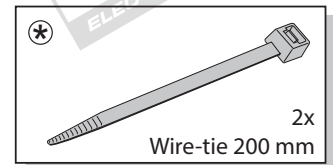
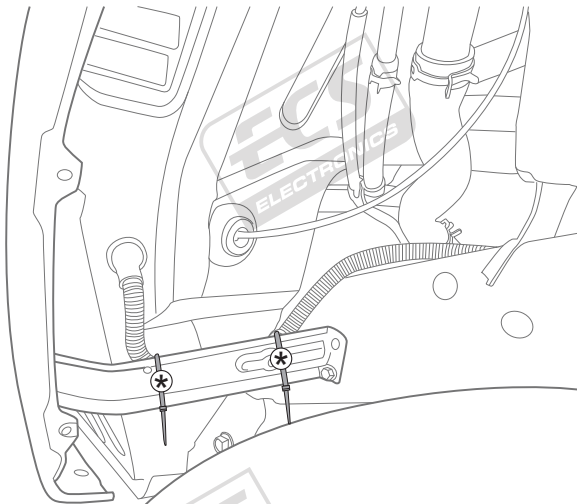
Club Cab



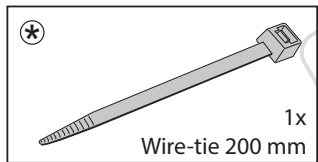
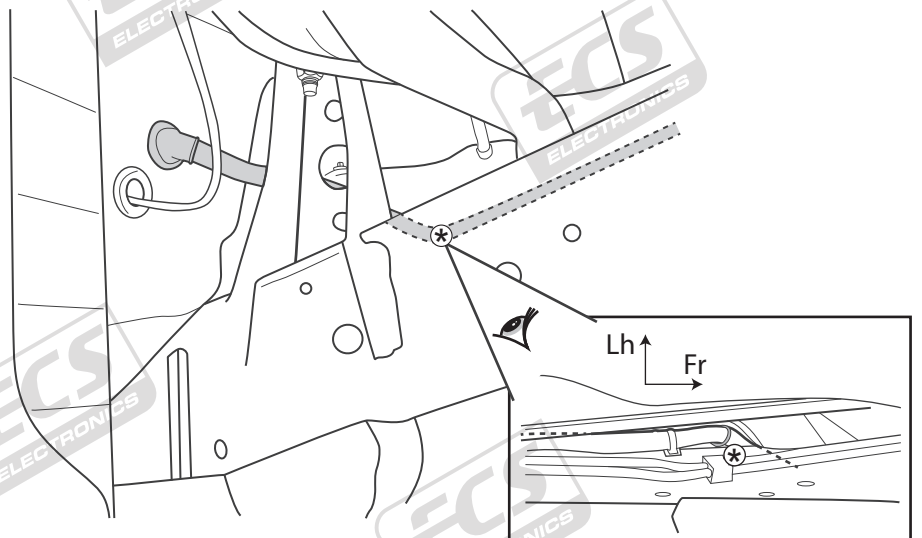
12



Double Cab

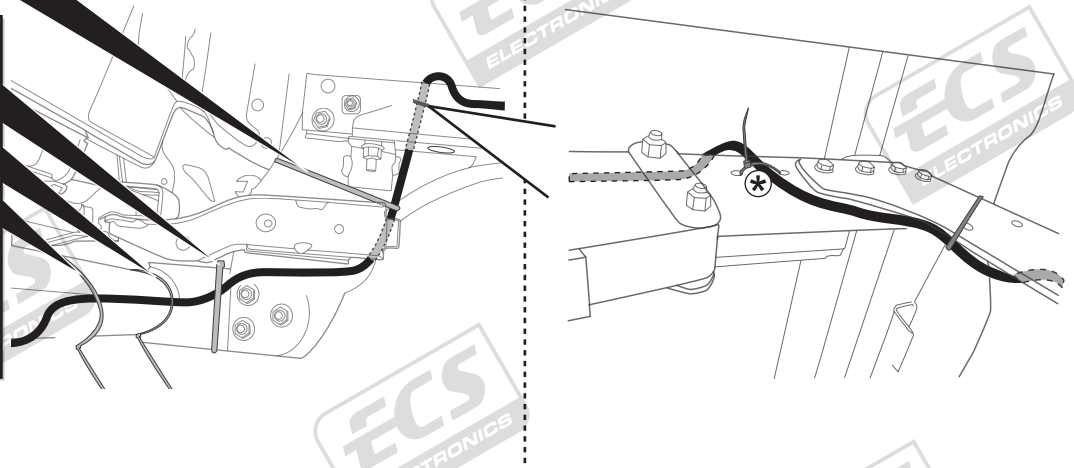
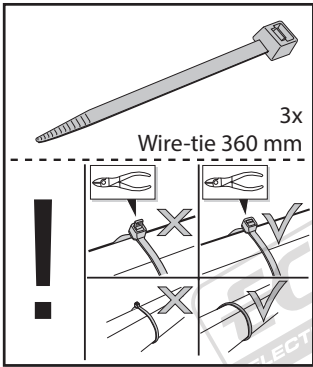
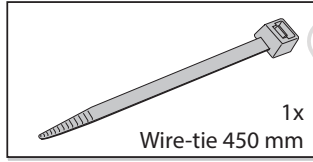
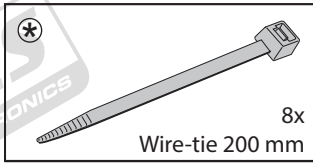
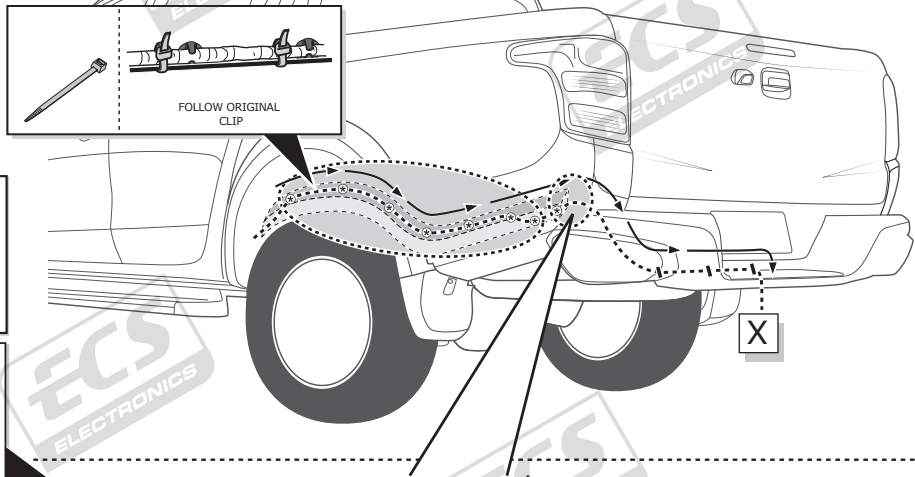


Club Cab

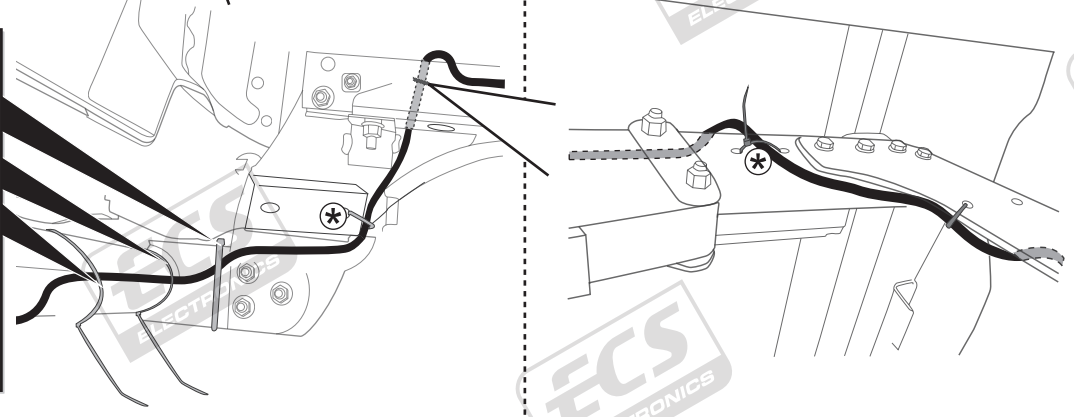
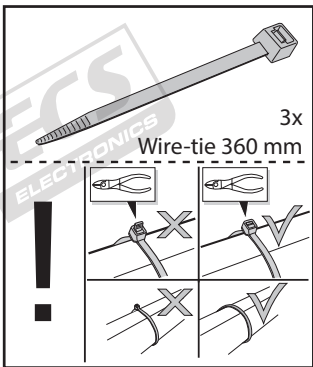
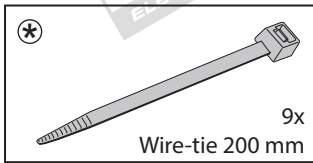
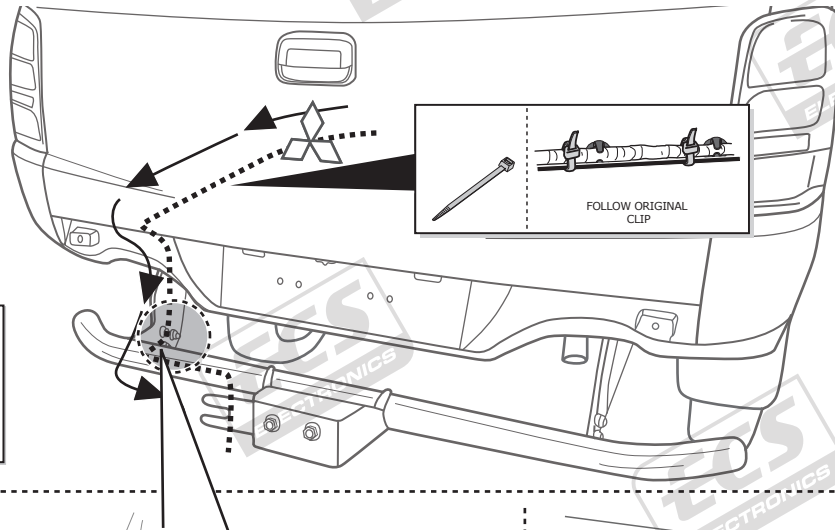


Double Cab

Option 1

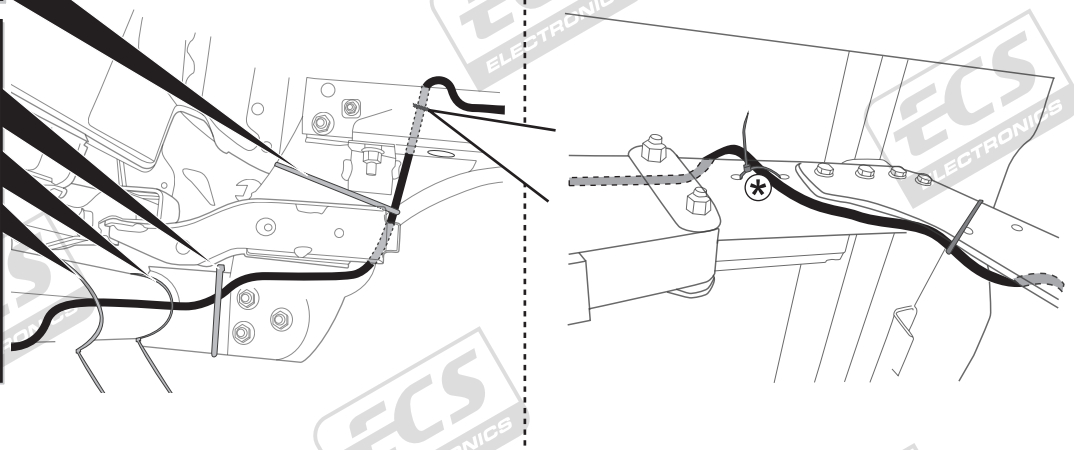
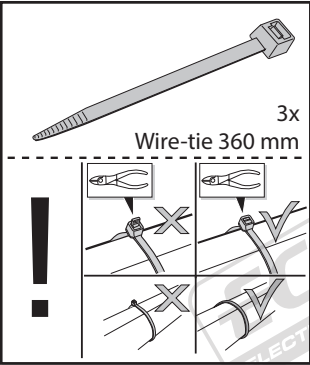
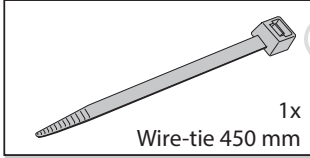
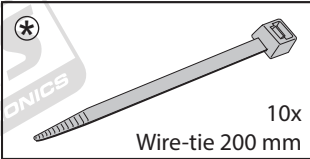
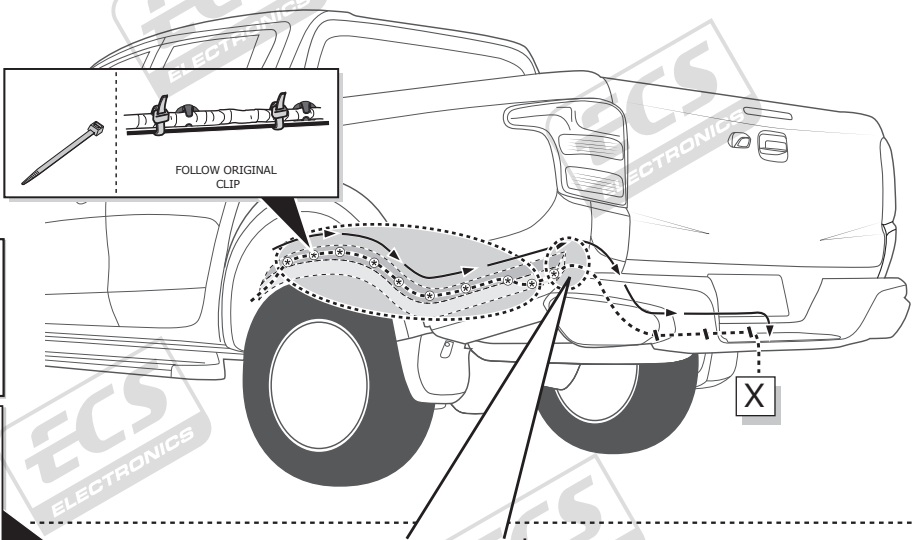
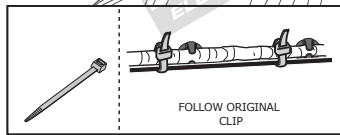


Option 2

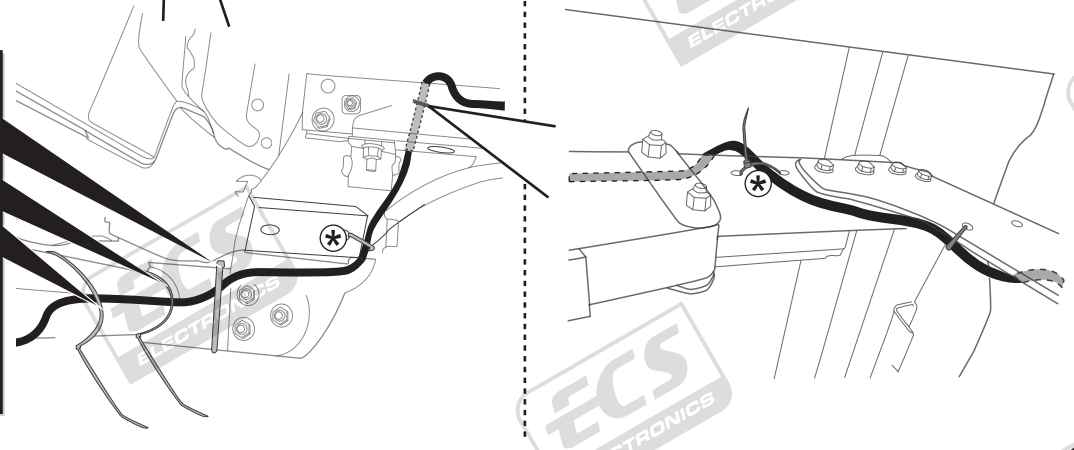
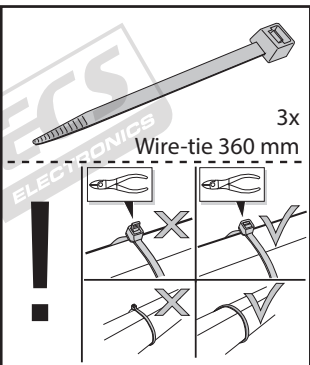
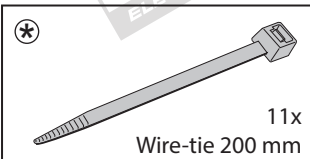
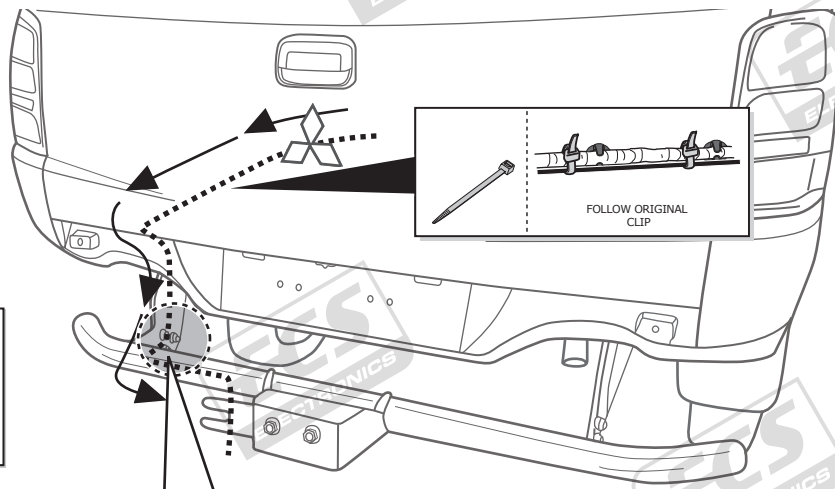


Club Cab

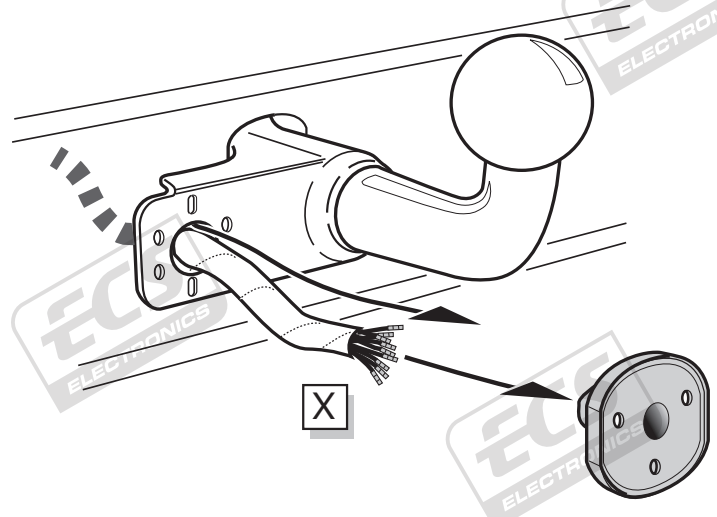
Option 1



Option 2



A



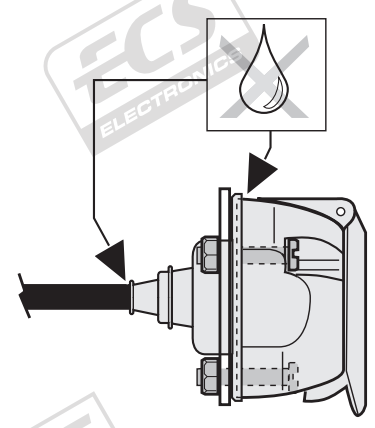
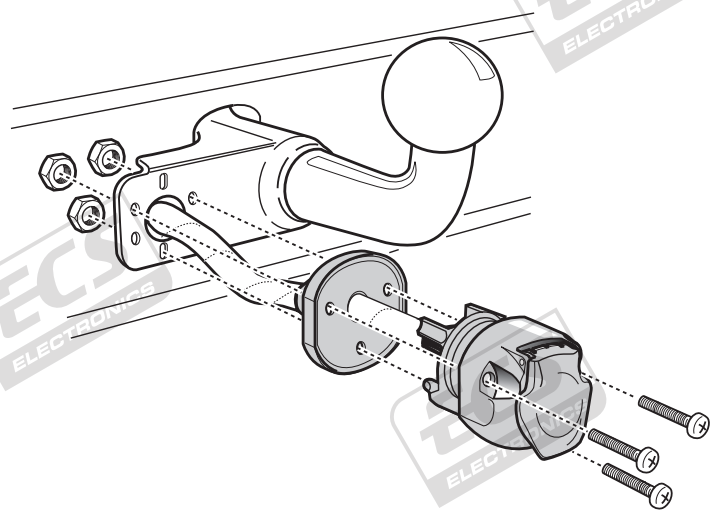
INFO

SOCKET CONNECTION

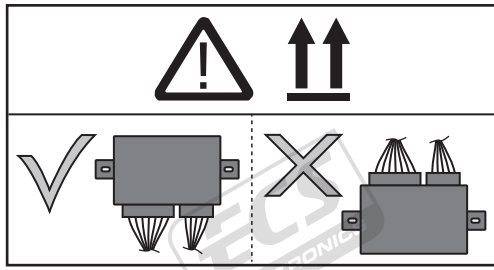
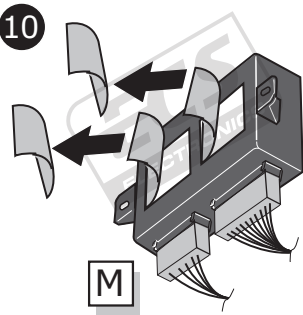
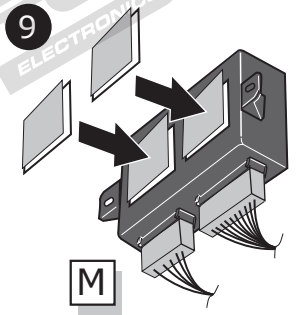
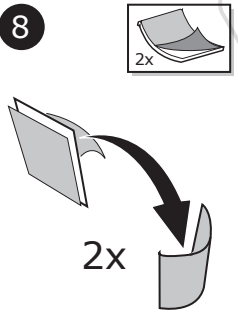
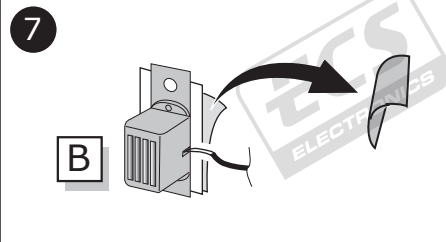
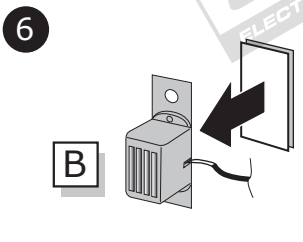
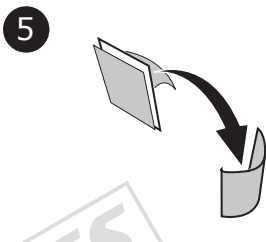
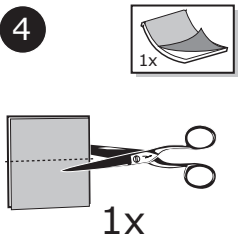
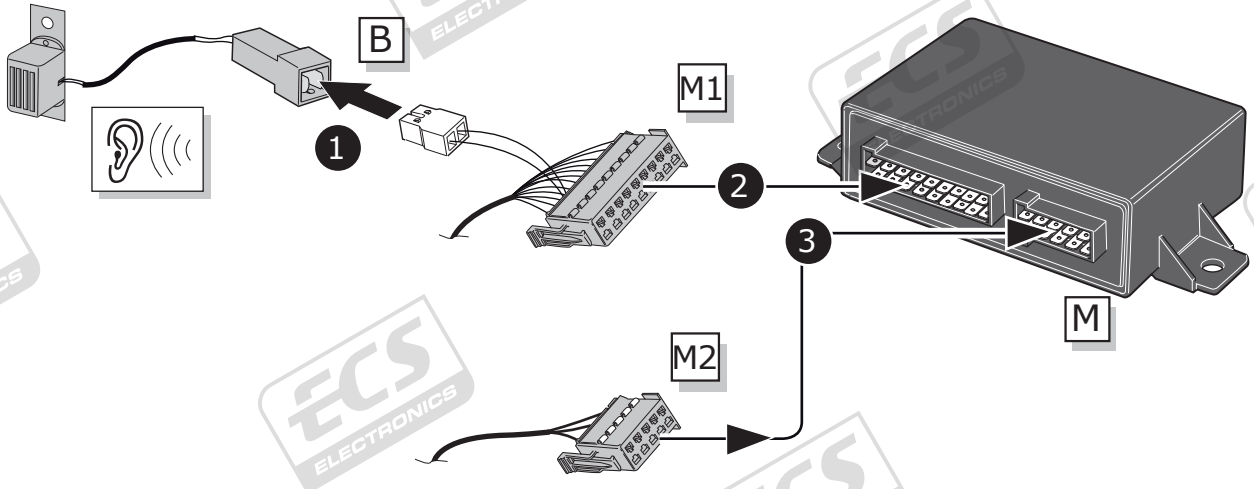


Pag. 17

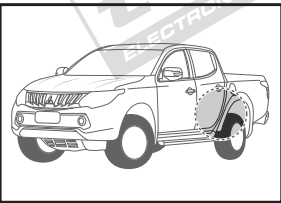
B



15

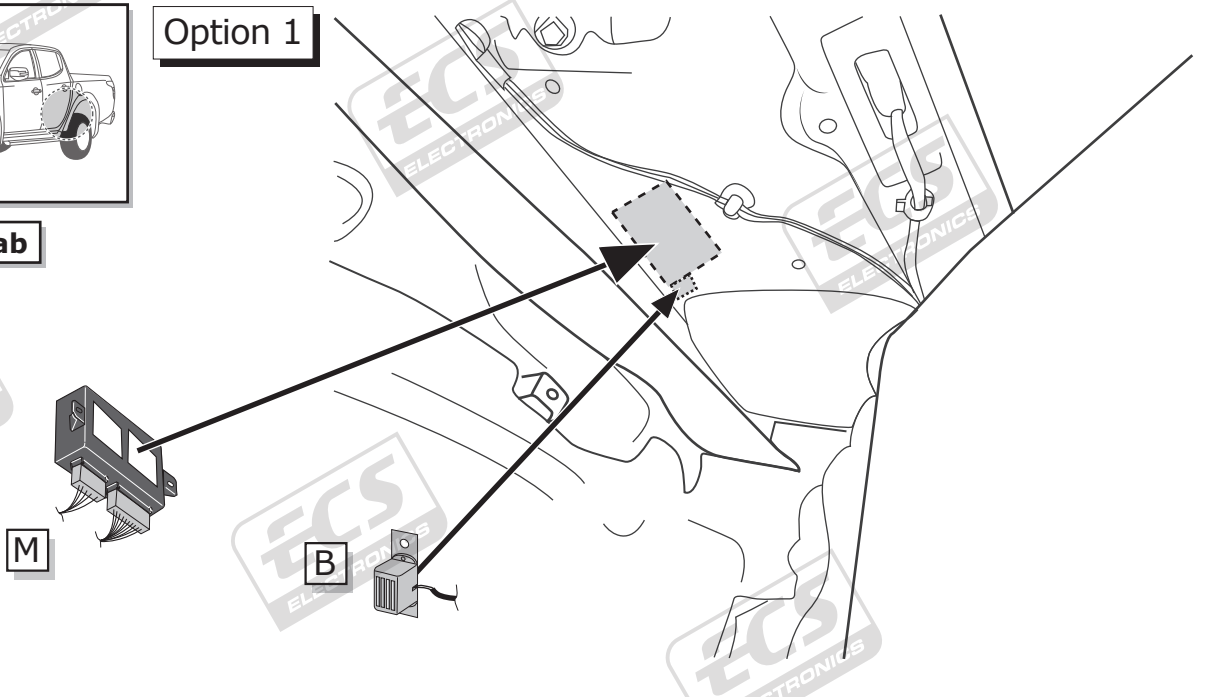


16

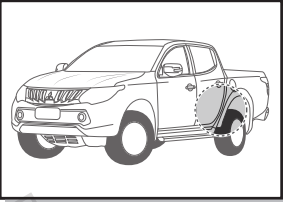


Double Cab

Option 1

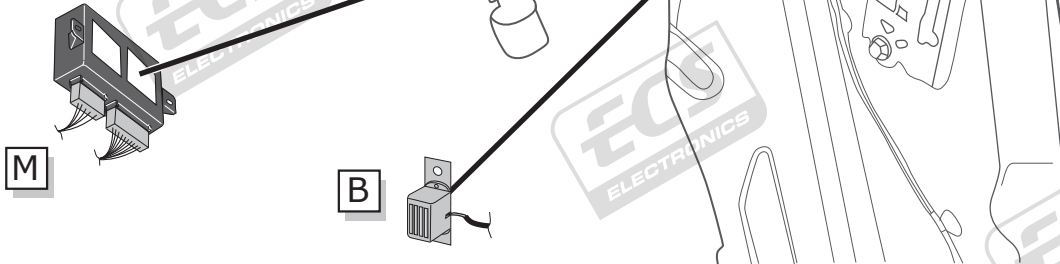


17

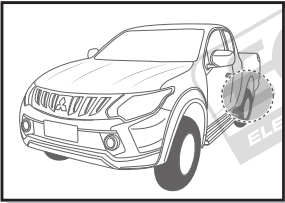


Option 2

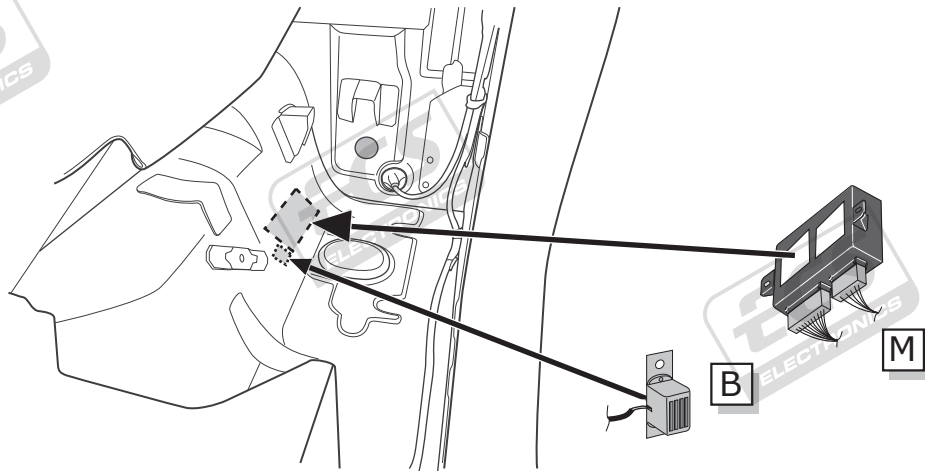
Double Cab



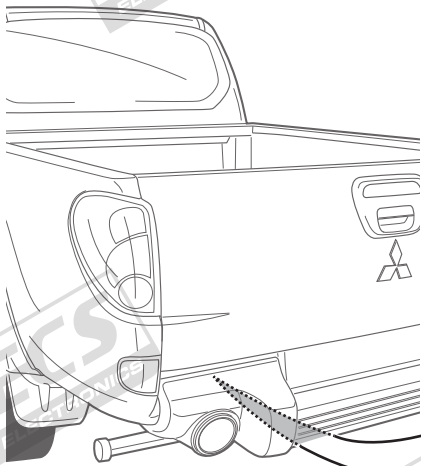
18



Club Cab

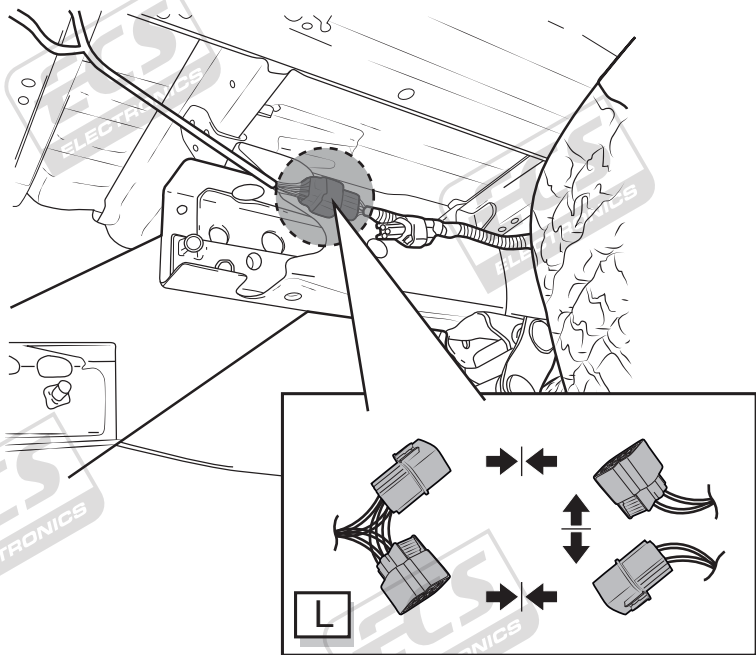


19

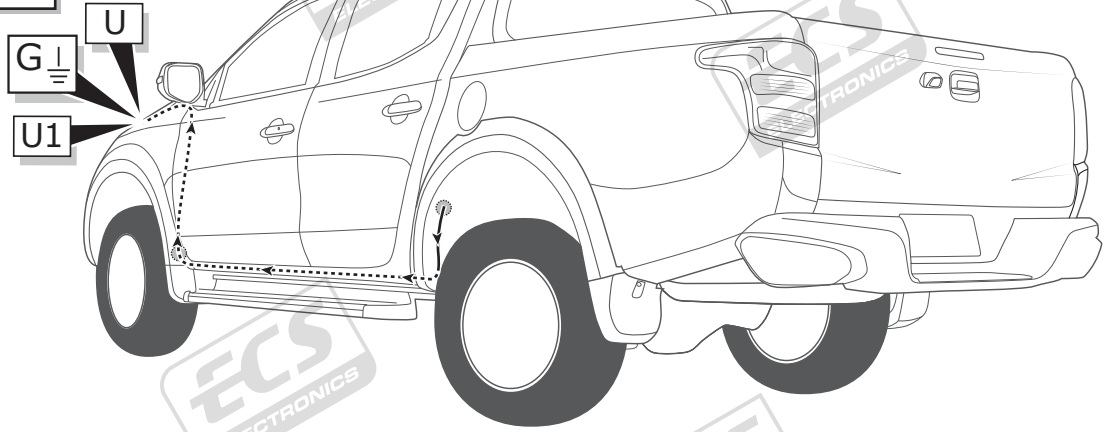


Double Cab

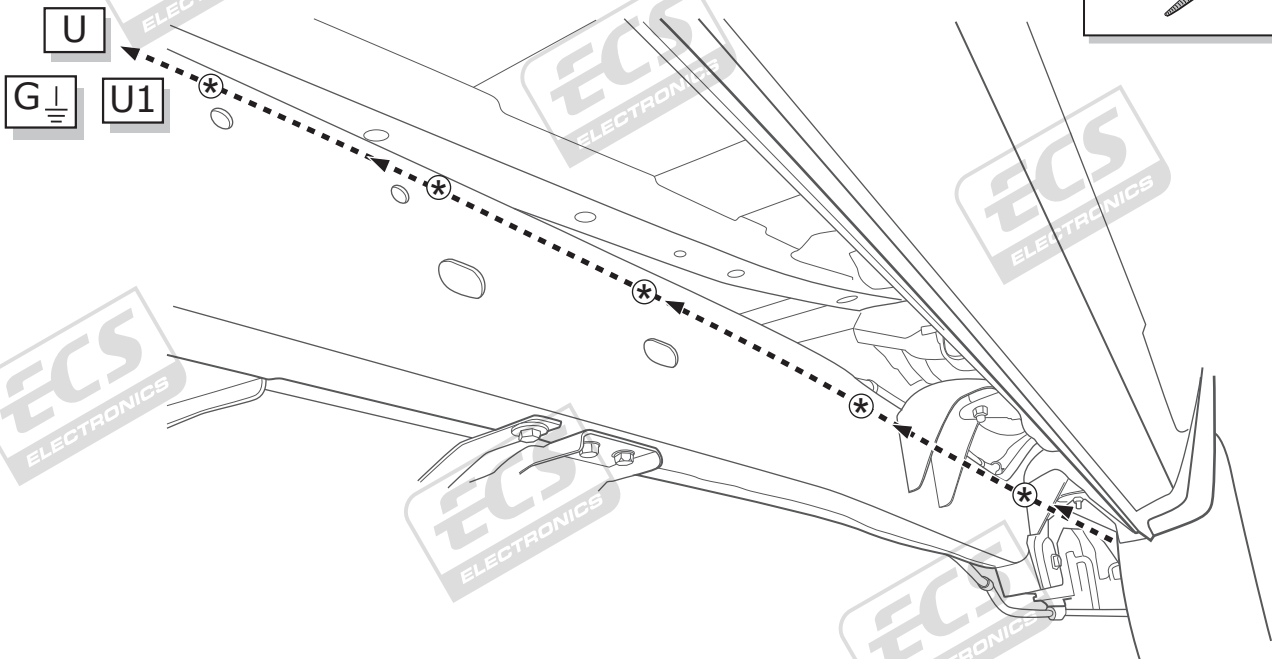
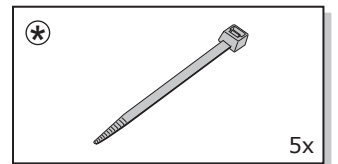
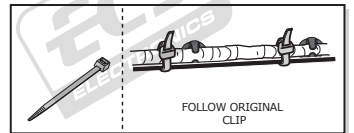
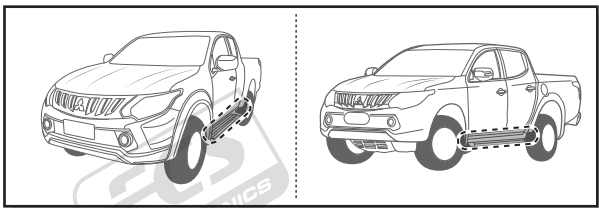
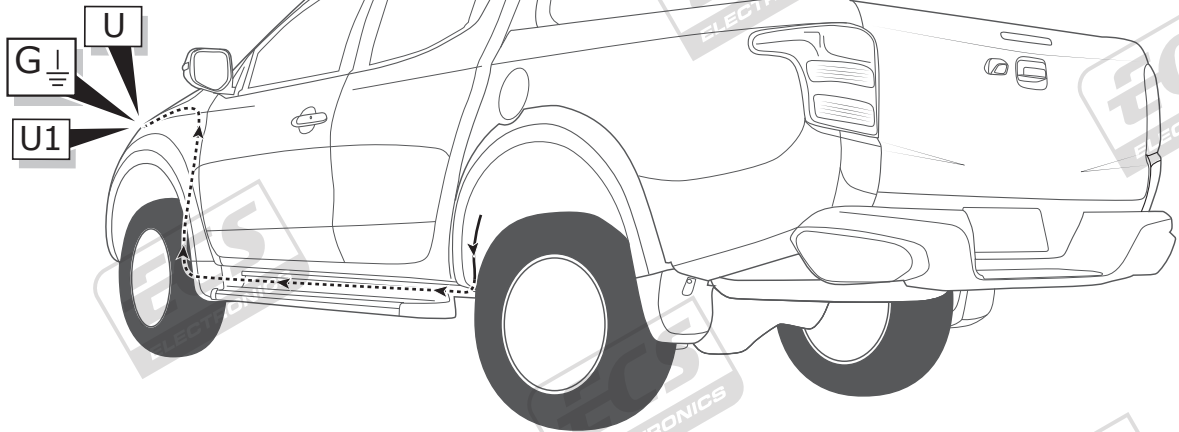
Club Cab

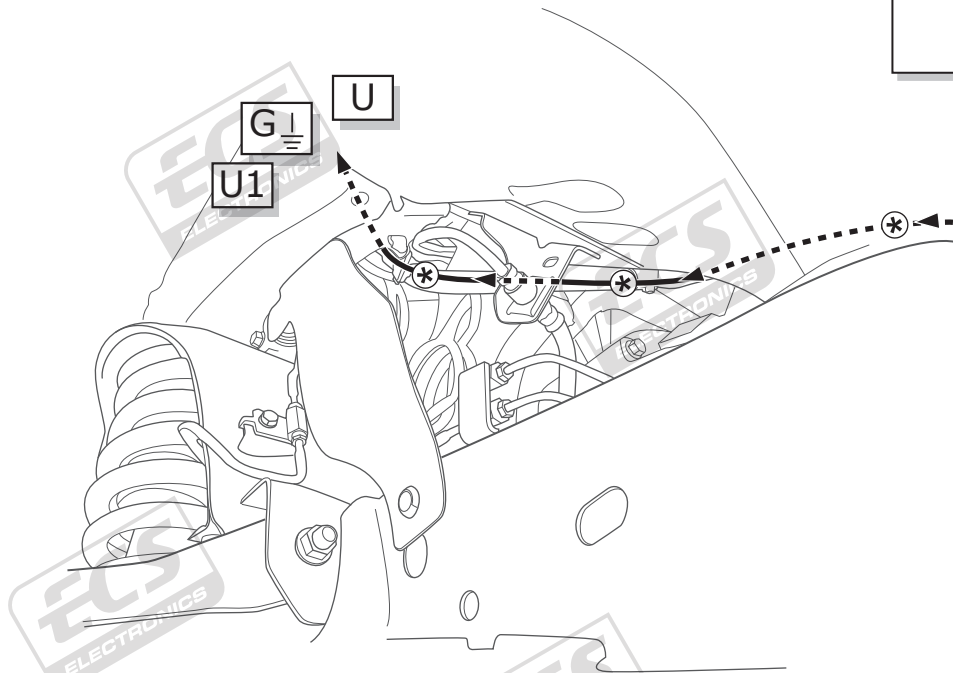
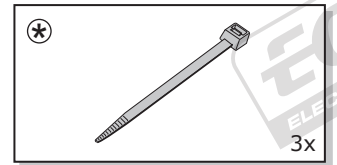
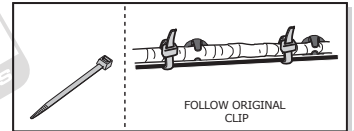
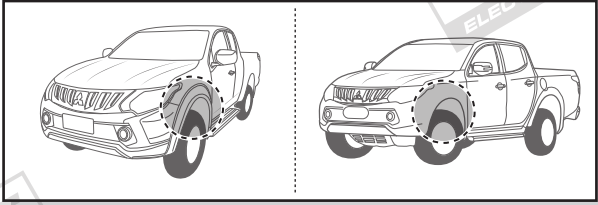


Double Cab



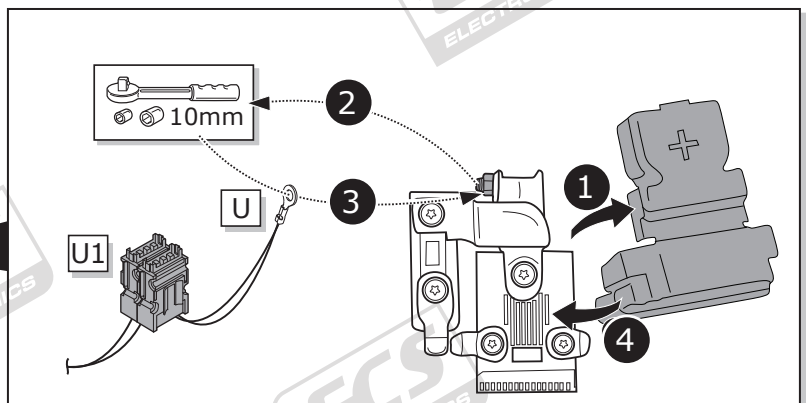
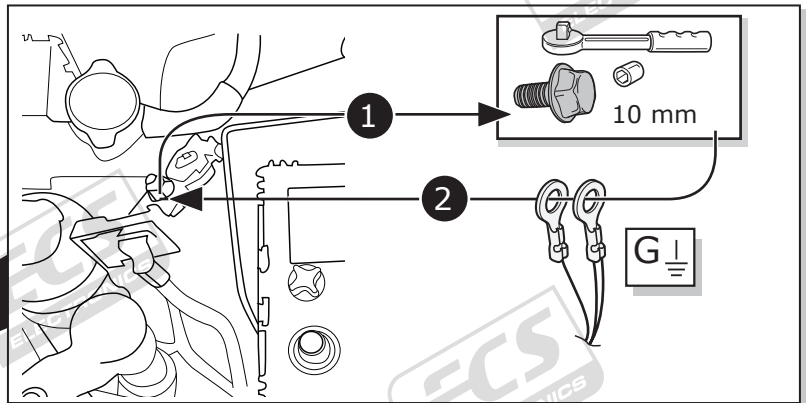
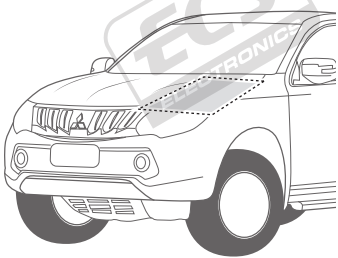
Club Cab





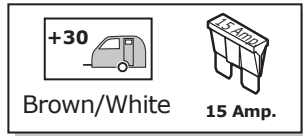
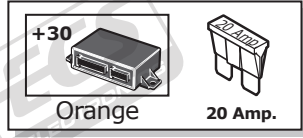
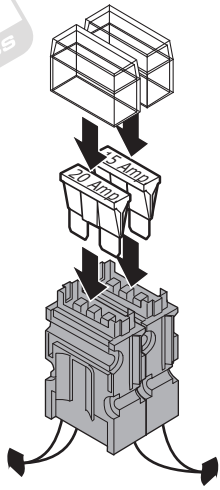
Double Cab

Club Cab

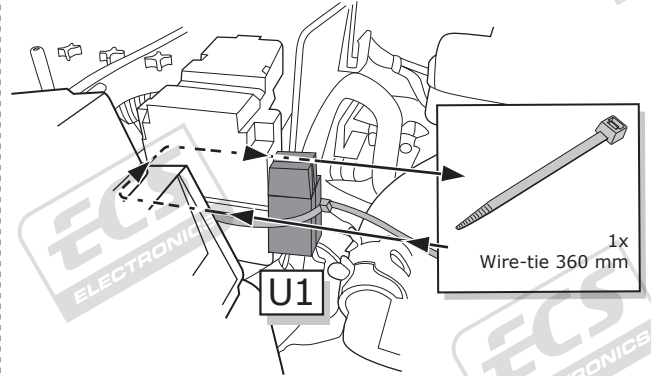


24

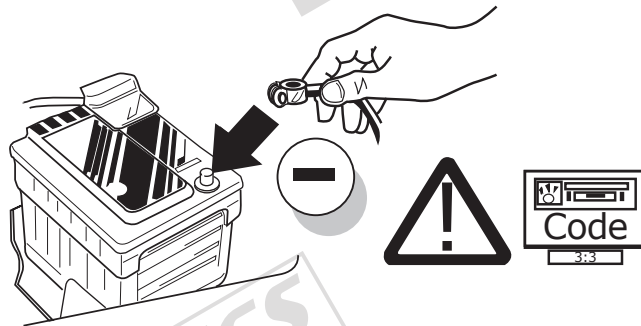
1



2



25



26

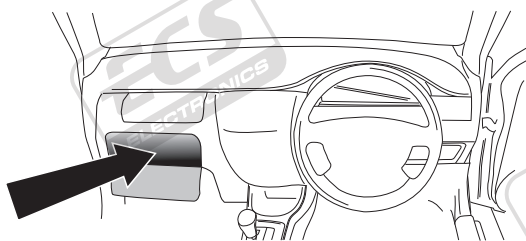
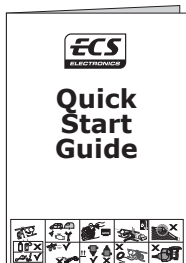


TEST ALL THE CIRCUITS WITH A TEST DEVICE WITH THE CORRECT POWER LOAD FOR EACH FUNCTION. A TEST DEVICE WITH LED'S CANNOT BE USED FOR THIS PURPOSE.

INFO

REINSTALL TRIM.

27



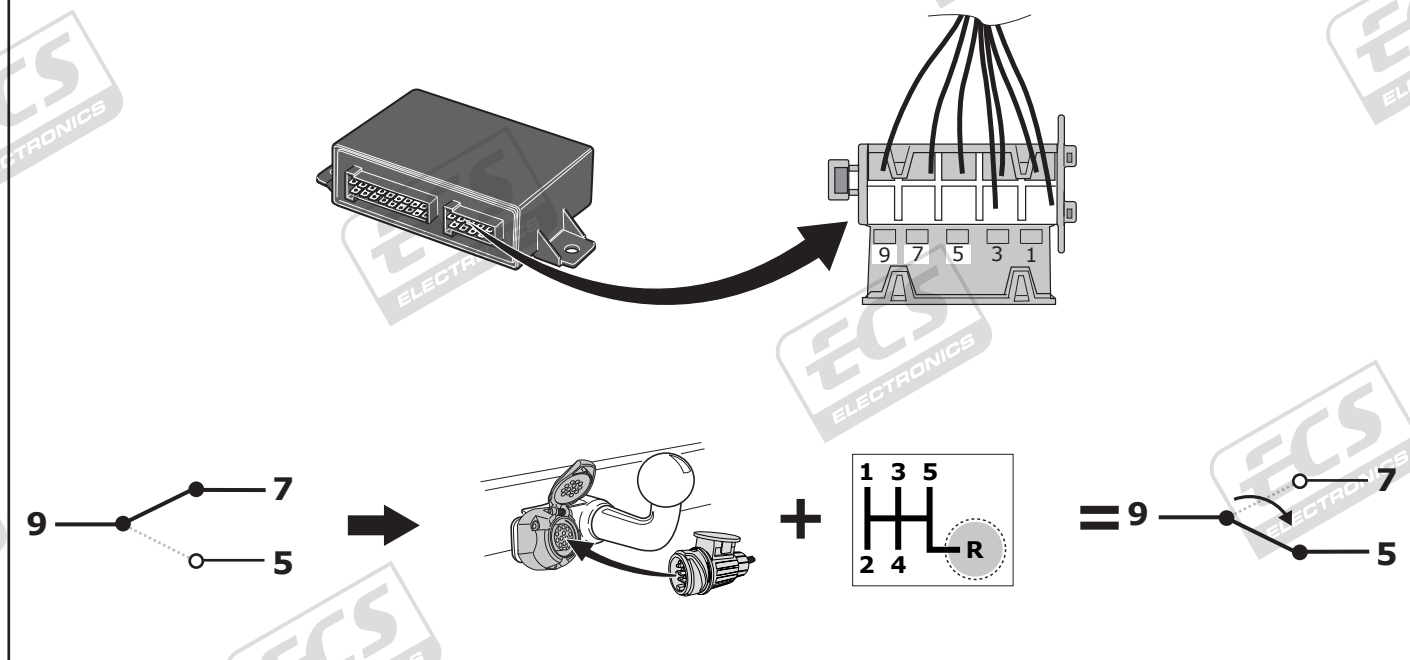
INFO

SOCKET CONNECTION

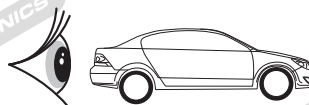
DIN/ISO 11446										—		—	
	1/L	2	3/31	4/R	5/58-R	6/54	7/58-L	8	9	10	11	12	13
Pmax	21W	21W		21W	42W	3x21W	42W	21W	180W/15Amp				
Colour	Yellow	Blue	White	Green	Brown	Red 1,00 mm ²	Black	Black/ Red	Brown/ White	-	White	-	White

AUTO PARK-SENSOR SWITCH-OFF FUNCTION WITH THE 5D033 ECU FOR AFTER MARKET / NON-OE PARK-SENSOR-SYSTEMS

FUNCTION



INFO



Locate the **PDC** (Parking Sensor) Module in the Vehicle.

OPTION 1 When the PDC-system has no specific **MUTE** wire: Locate and cut the wire at **ONE** of the locations A-G and connect to the **ECS Towbar Wiring Kit** as shown in Option 1. Always check if cutting the wire at the selected location does not create any errors in the PDC-system or the vehicle, if so, then select another location. In this case the cut wire is connected and the system operates normally. When the trailer is connected. This wire becomes disconnected by the Trailer Module. If the same module also controls the Front Sensors then use only locations F or G to prevent the front sensors switching off.

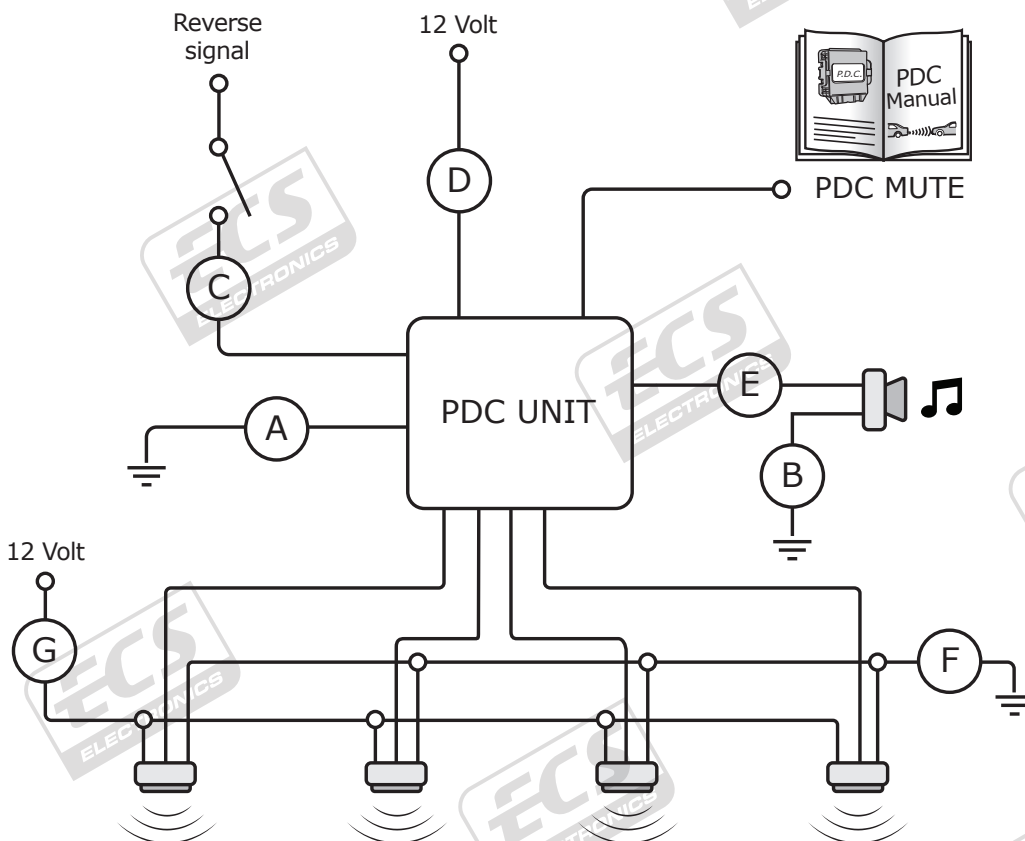
OPTION 2 When the PDC-system has a specific **MUTE** wire: Check in the manual of the PDC-system which input the PDC module requires to switch off the system (+12v **or** Earth trigger). Then connect the Trigger wire of the PDC system to pin 9 of the ECS connector, and connect the required feed (+12v **or** Earth) to pin 7 and 5.

Be careful as connecting the wrong feed can cause damage to the PDC-system.

Always check Before and After installation the PDC System is working correctly, and where possible any error codes.

AUTO PARK-SENSOR SWITCH-OFF FUNCTION WITH THE 5D033 ECU FOR AFTER MARKET / NON-OE PARK-SENSOR-SYSTEMS

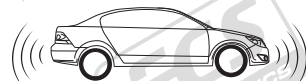
AFTER MARKET / NON-OE PARKSENSOR-SYSTEM



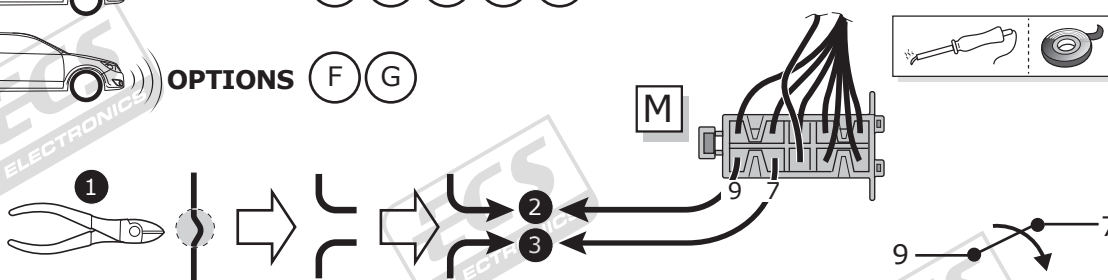
OPTION 1, NO PDC MUTE



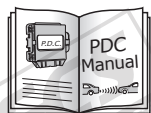
OPTIONS (A) (B) (C) (D) (E)



OPTIONS (F) (G)



OPTION 2, PDC MUTE



PDC MUTE

