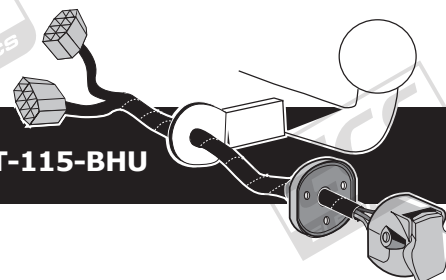


**Mitsubishi Outlander 2013-
Mitsubishi Outlander PHEV 09/2013-**

Partnr.: MT-115-BHU



- Fitting instructions electric wiring kit tow bar with 12-N socket up to DIN/ISO Norm 1724.
- We would expressly point out that assembly not carried out properly by a competent installer will result in cancellation of any right to damage compensation, in particular those arising by virtue of the product liability act.
- Contents of these kits and their fitting manuals are subject to alteration without notice, please ensure that these instructions are read and fully understood before commencing installation.
- Do not overload circuits; the maximum loads per connection are detailed in this manual.
- Attention! Before Installation, please read this manual carefully and inform your customer to consult the vehicle owners manual to check for any vehicle modifications required before towing.
- In the event of functional problems, troubleshooting must be limited to about 0.5 hours, contact the technical support:
t.skinner@ecs-electronics.com / 07440 202 052.

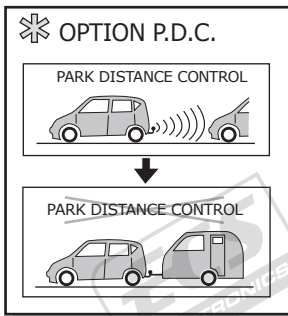
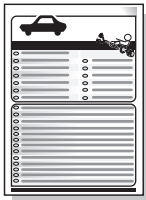
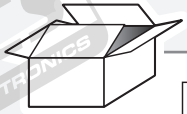
TECHNICAL SUPPORT

**CALL
07440
202
052**

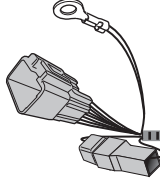
ECS ELECTRONICS

MONDAY TO FRIDAY
08.00 - 11.00 am
12.00 - 05.00 pm
t.skinner@ecs-electronics.com
www.ecs-electronicsuk.co.uk

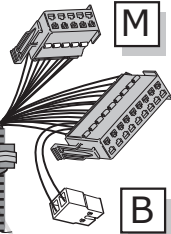
Part list



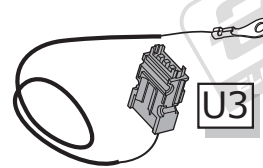
L2



M



U2

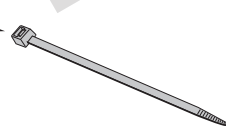


U3

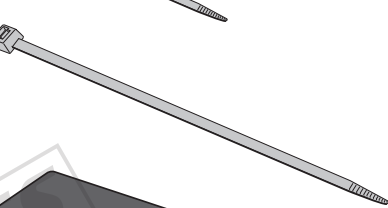
B



15x



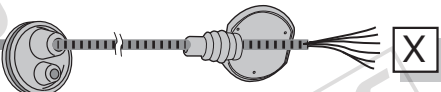
4x



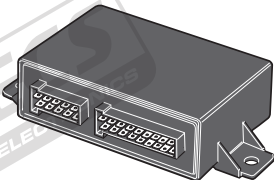
L1



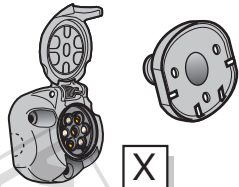
T



X



M



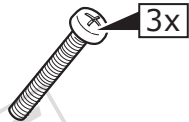
X

UN-243-YZ

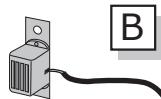
Optional reverse lamp pre-wire extension included



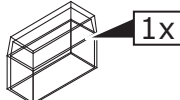
Pag. 16



3x



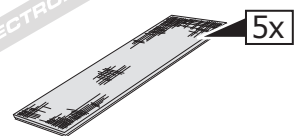
B



1x



1x



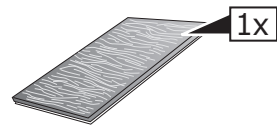
5x



3x



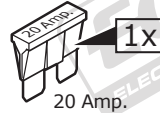
1x



1x



3x



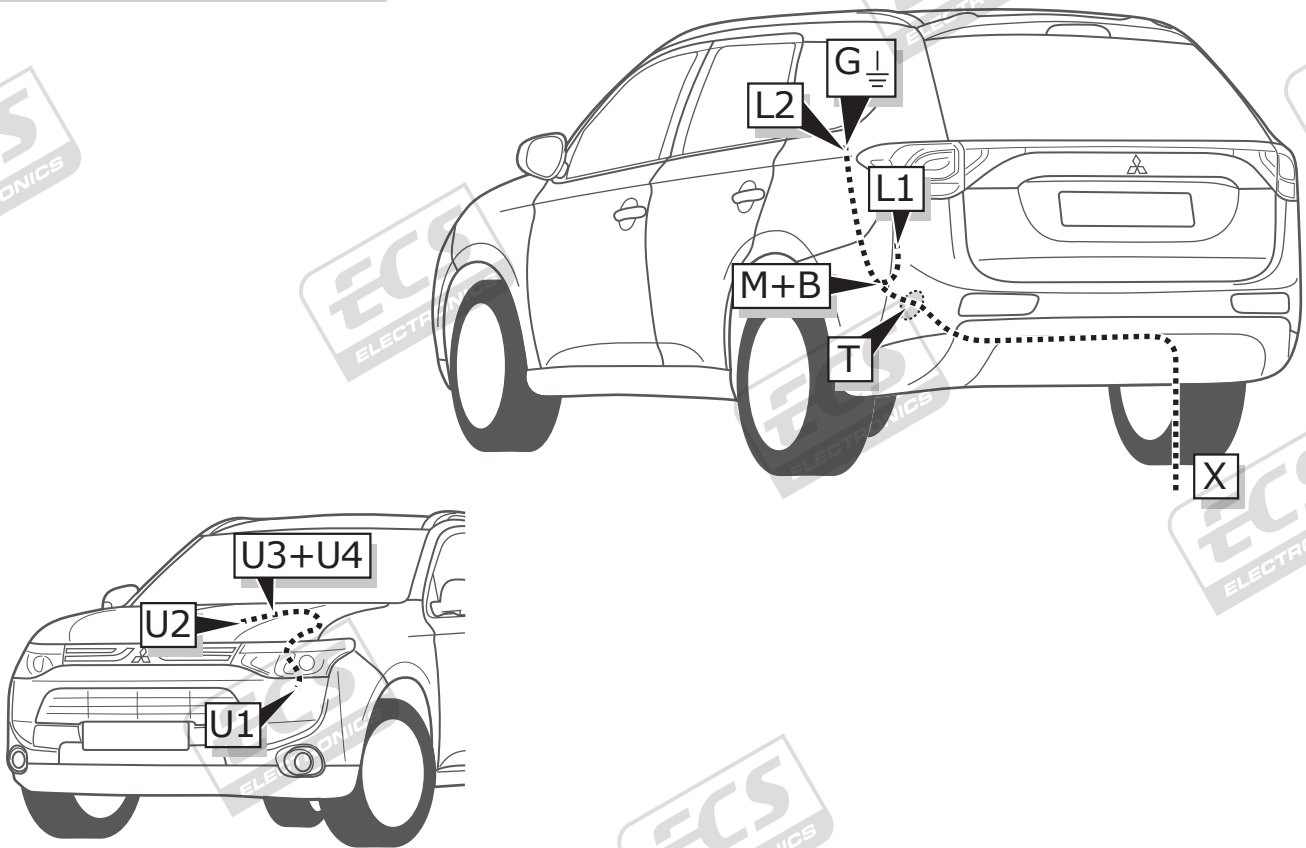
1x

20 Amp.

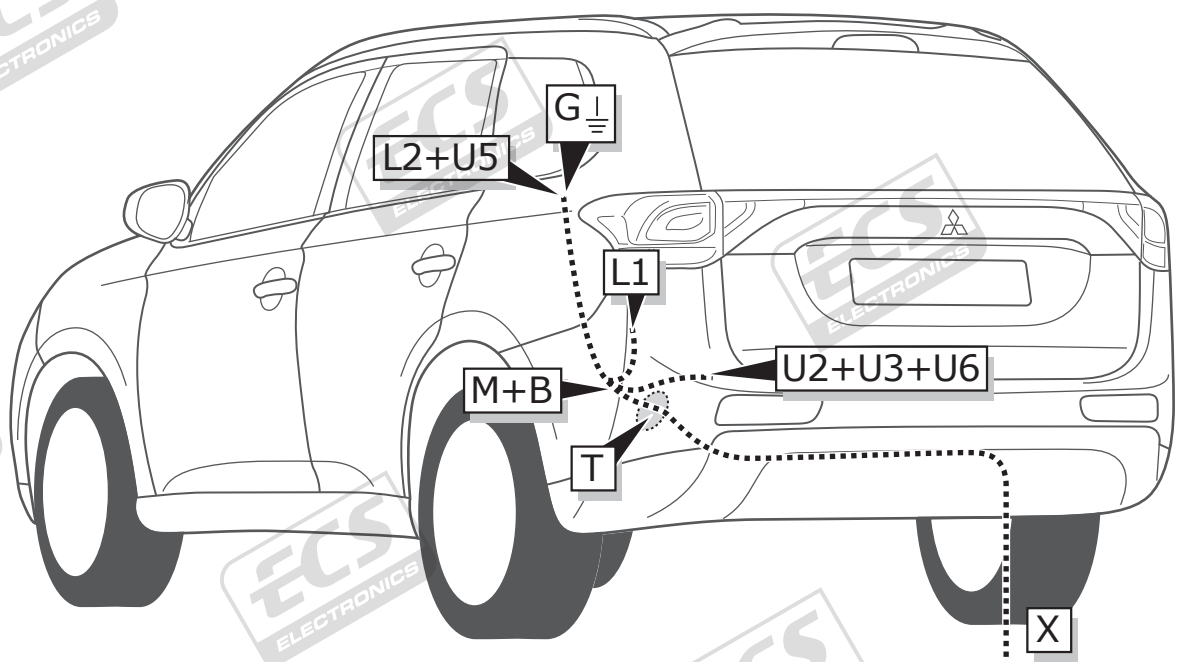


1x

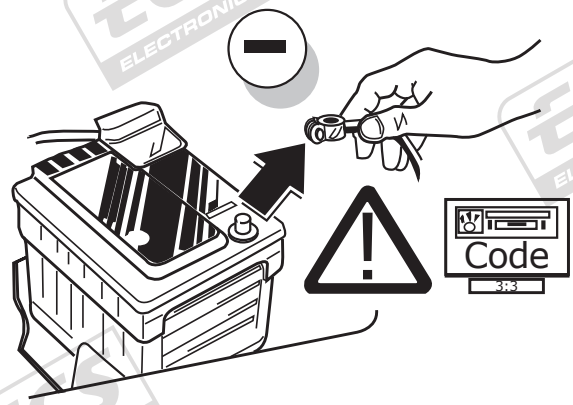
Mitsubishi Outlander
2013-



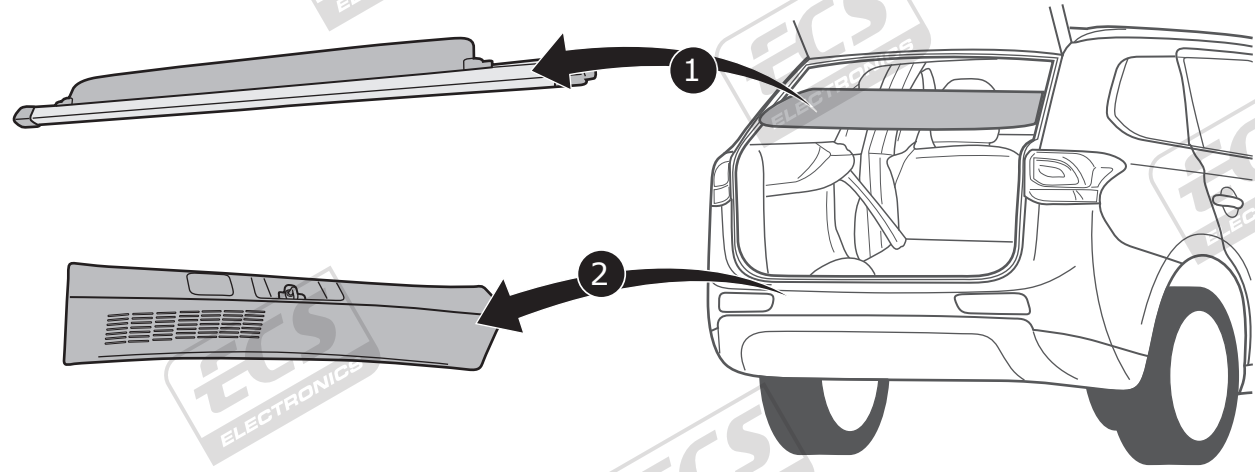
Mitsubishi Outlander
PHEV 09/2013-



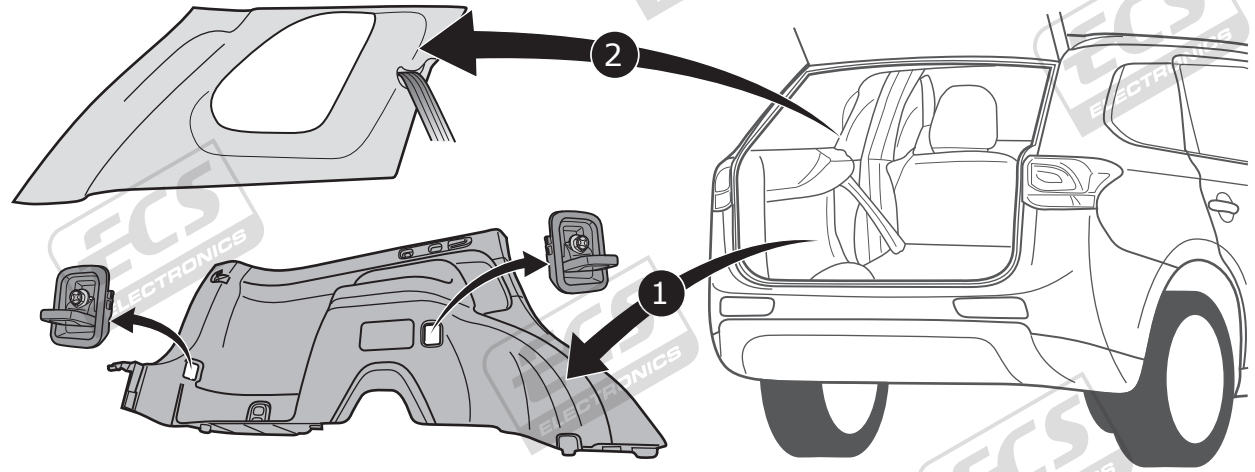
1



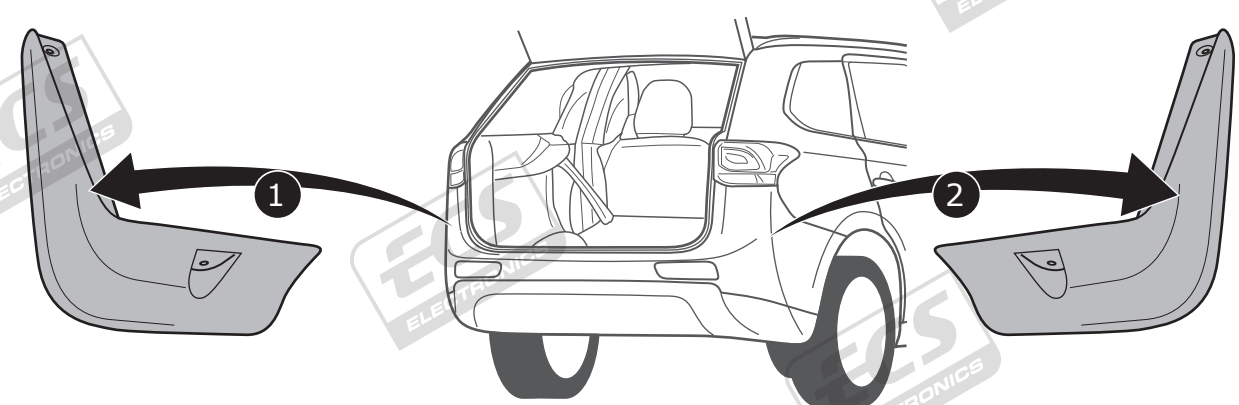
2

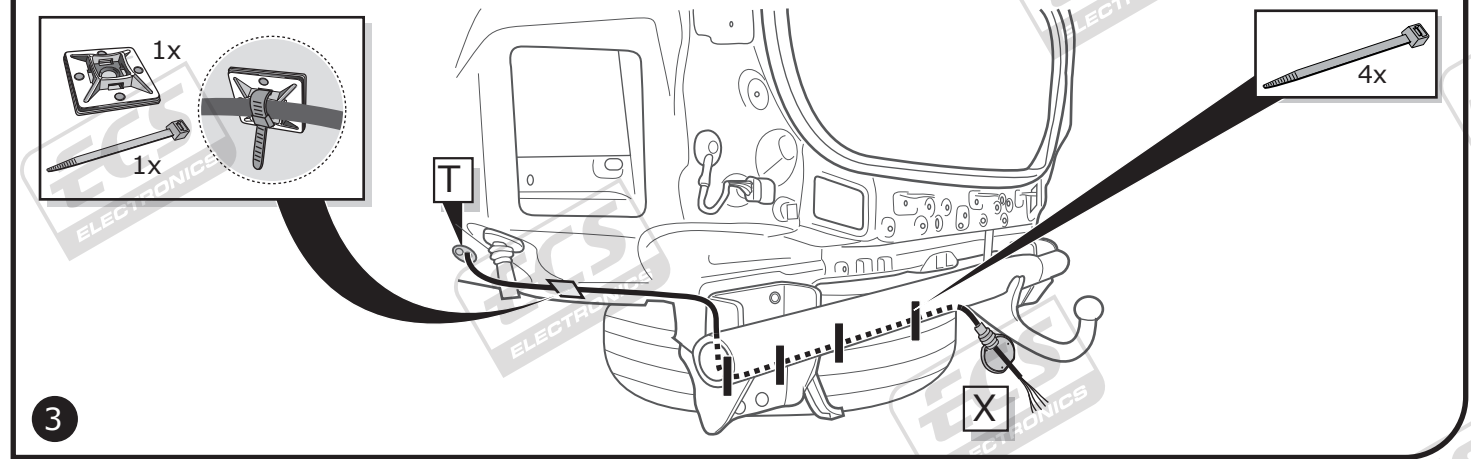
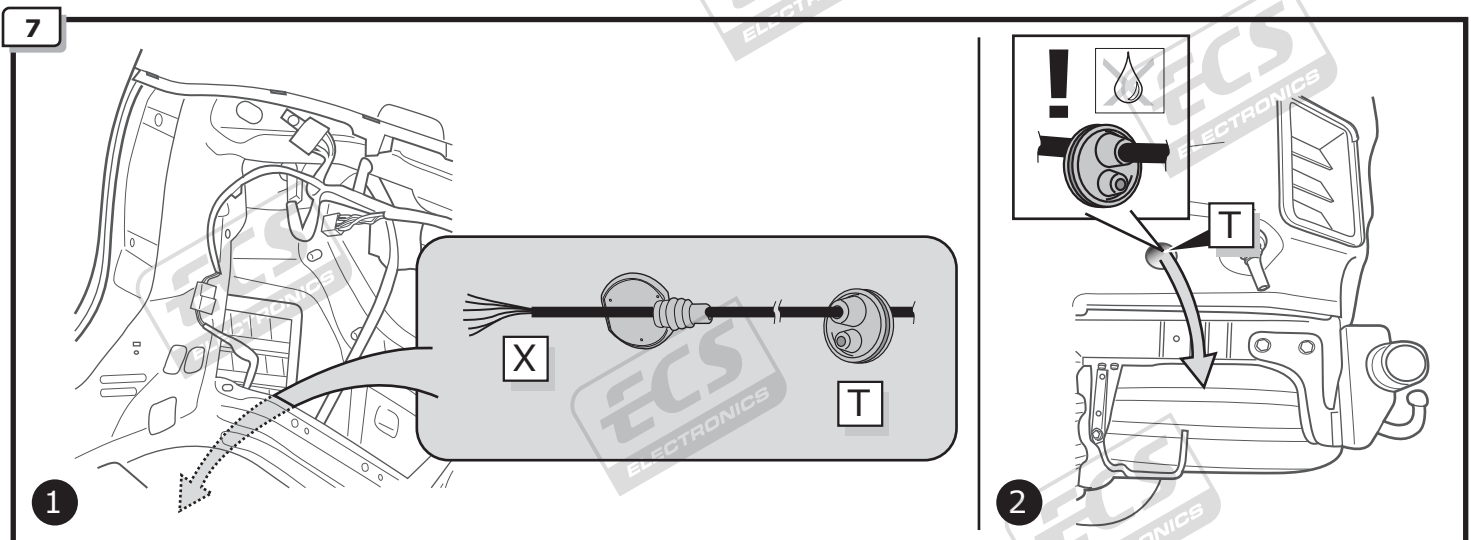
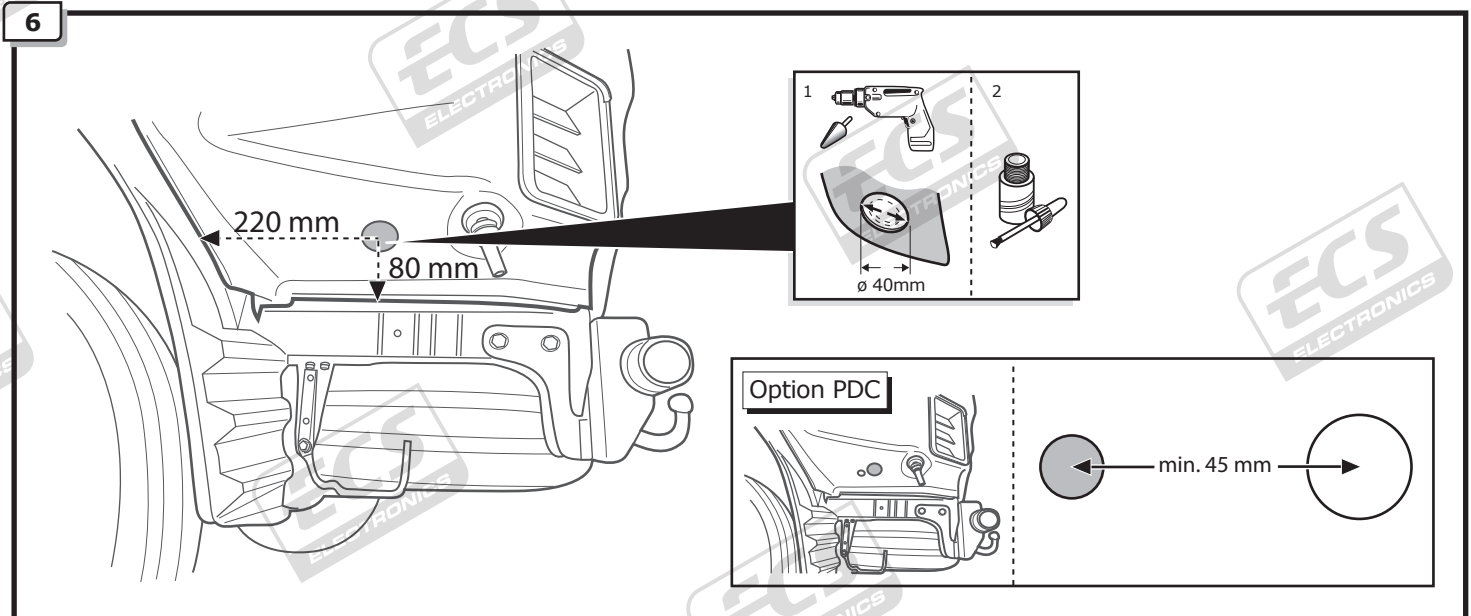
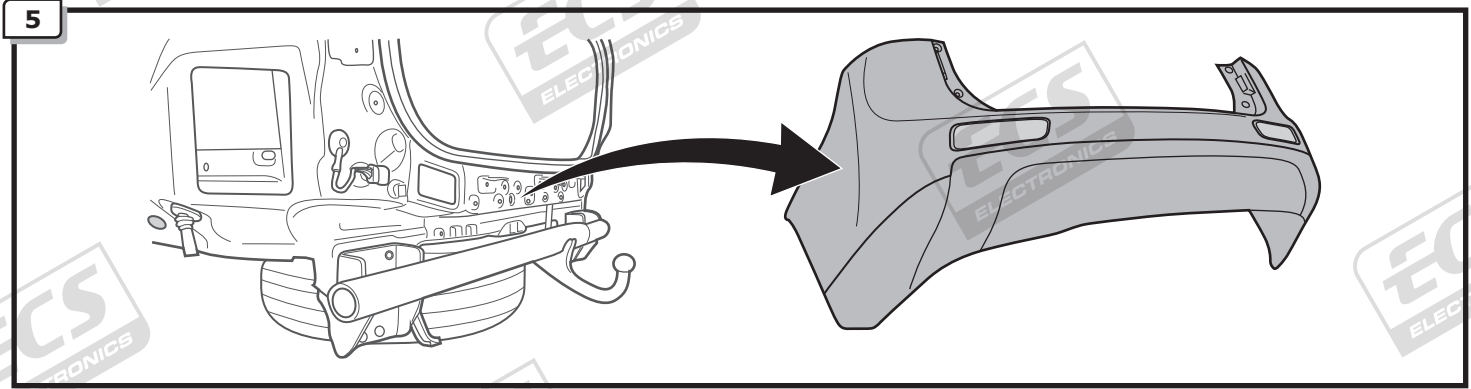


3



4





SOCKET CONNECTION

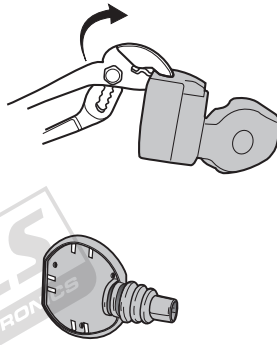


Pag. 15

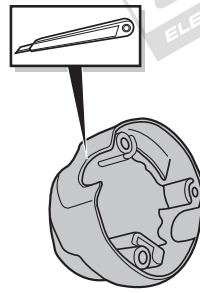
8

Option 1

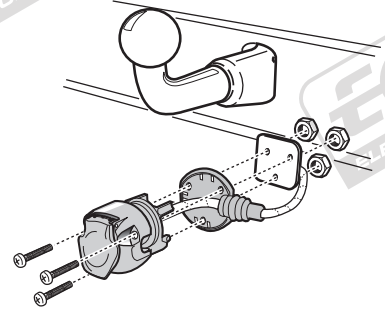
1



2



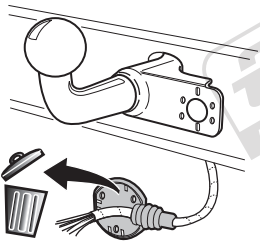
3



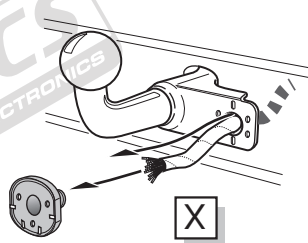
8A

Option 2

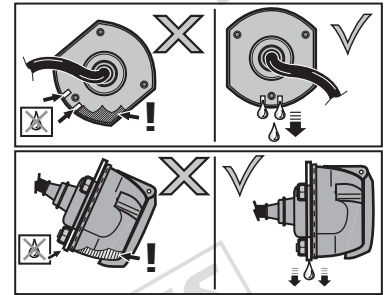
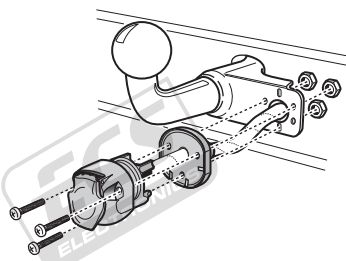
1



2

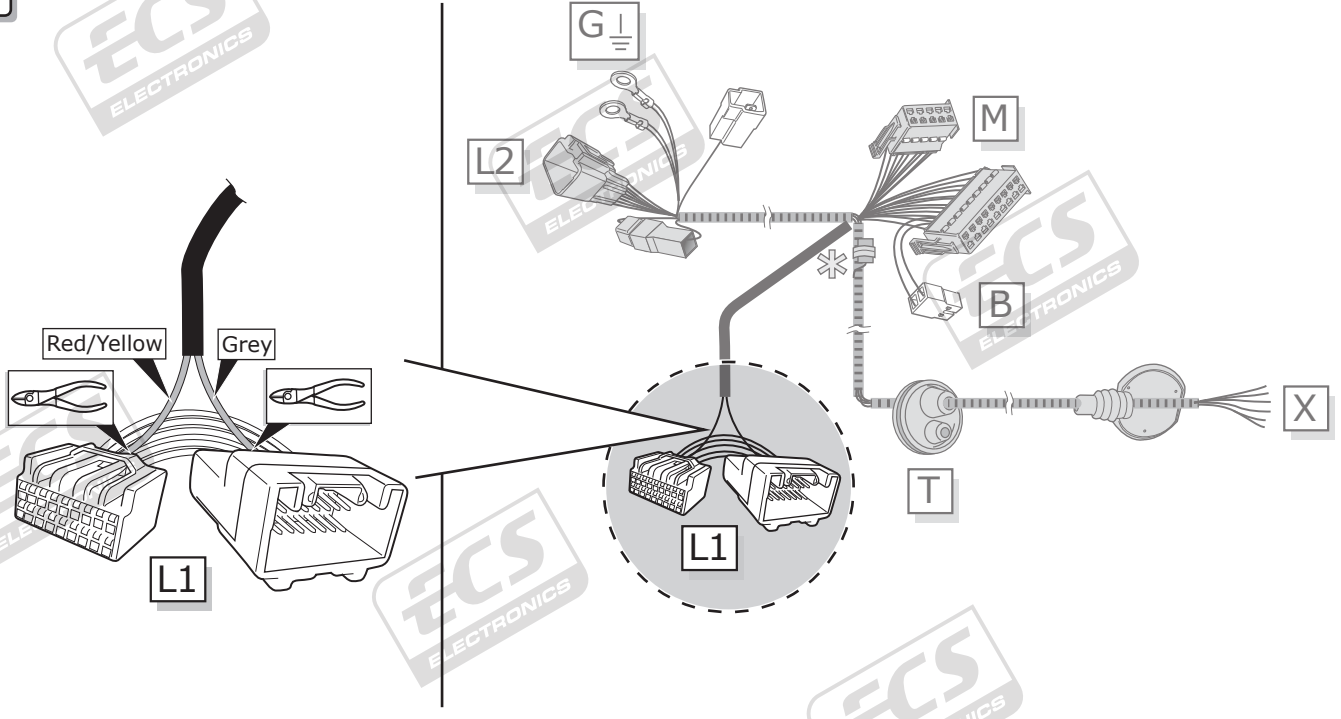


3



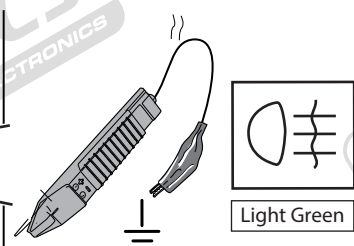
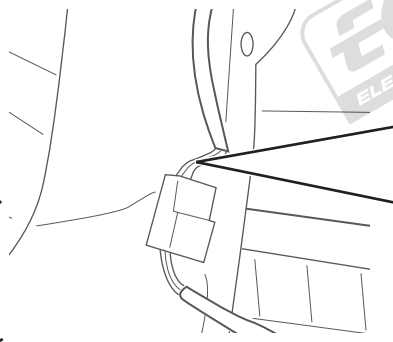
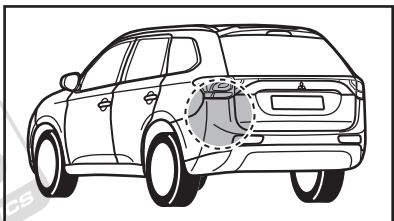
ONLY for PHEV models 2016-

9

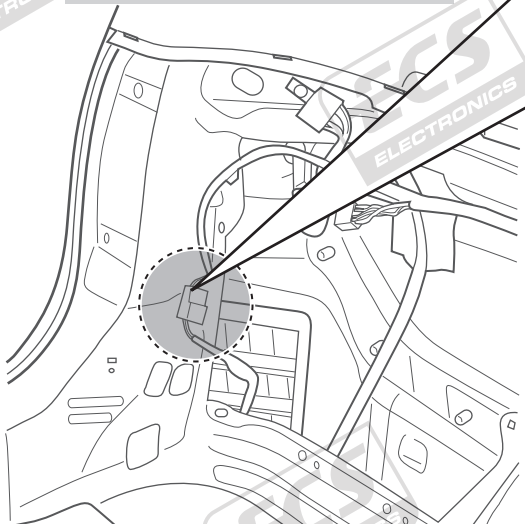


ONLY for PHEV models 2016-

10



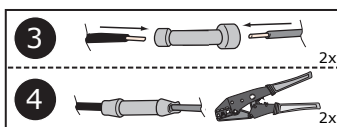
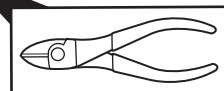
1



2

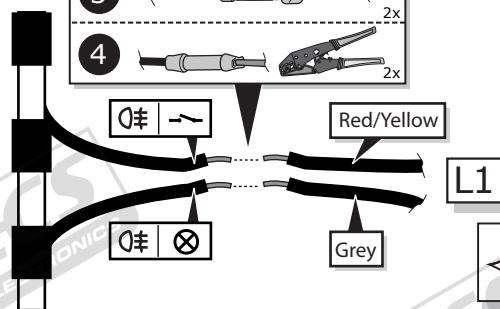


Light Green



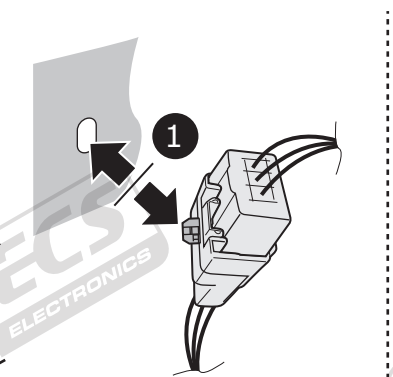
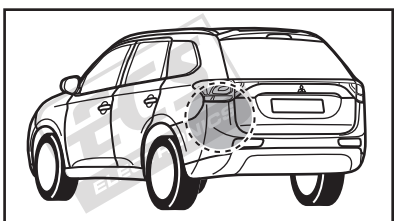
3

4

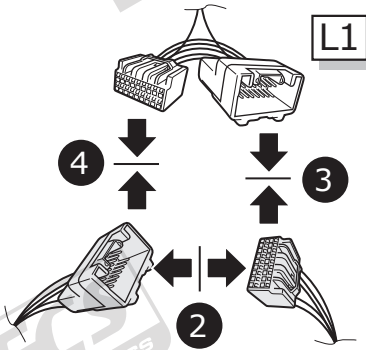
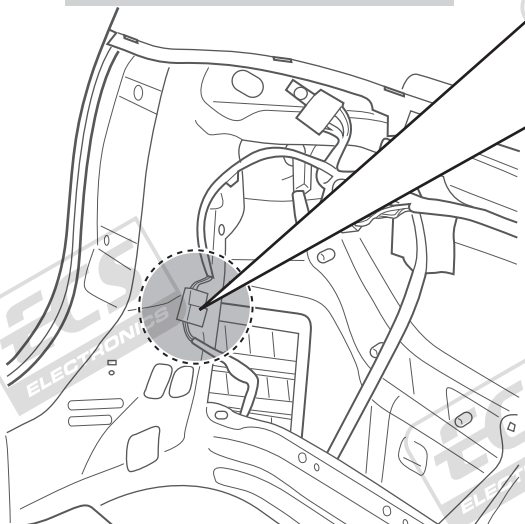


12

11



1

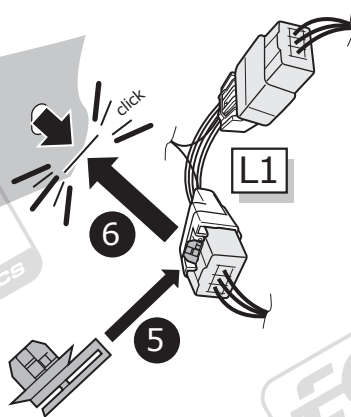


4

L1

3

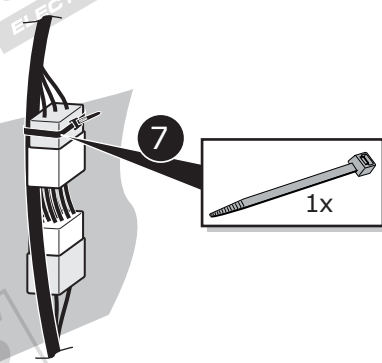
2



6

5

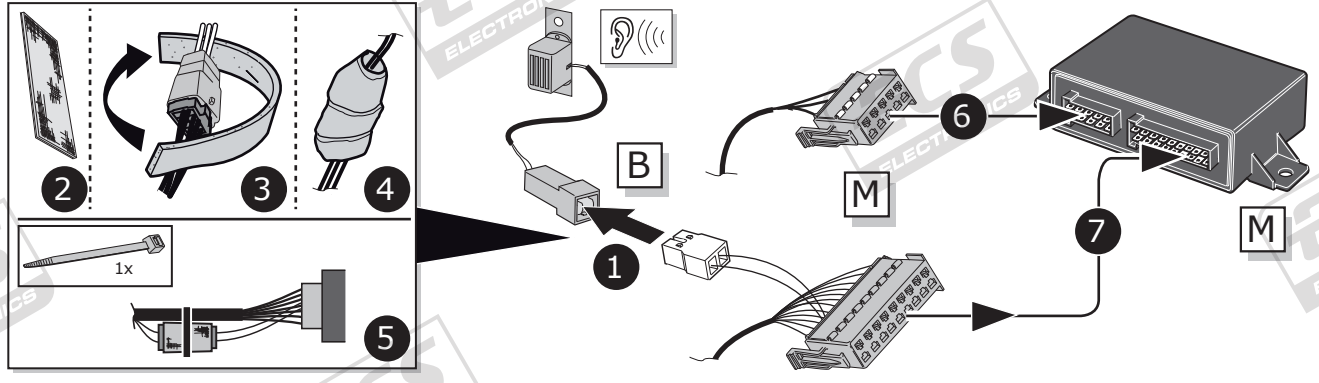
L1



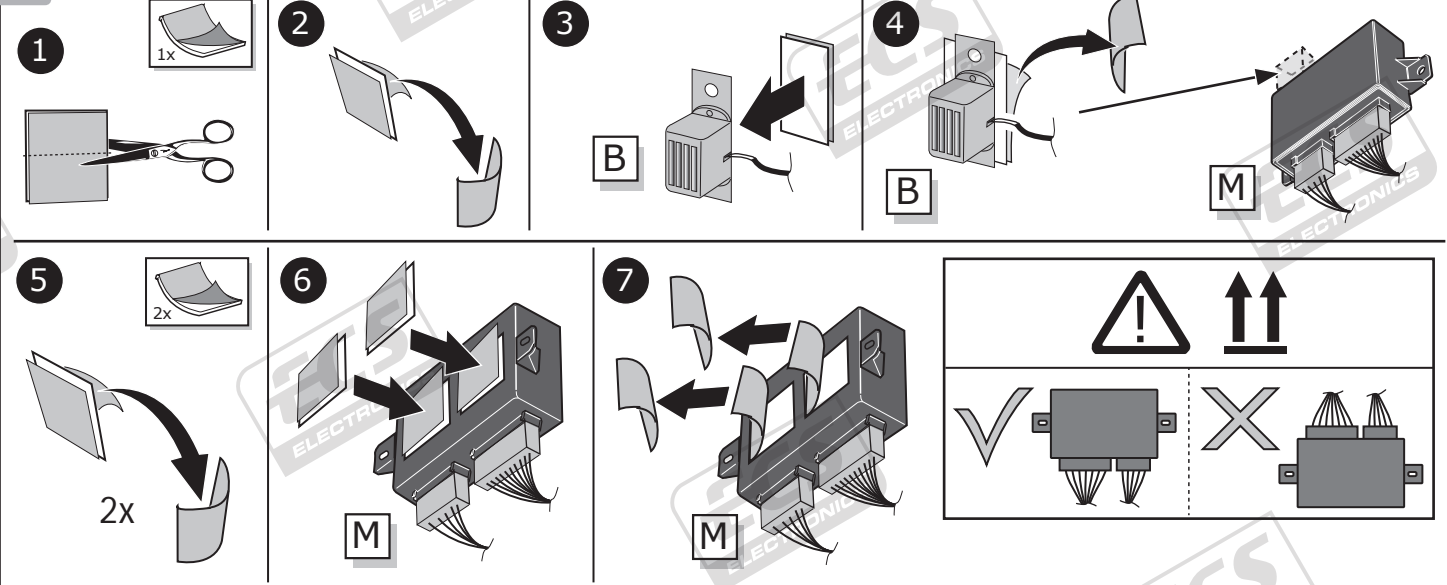
7

1x

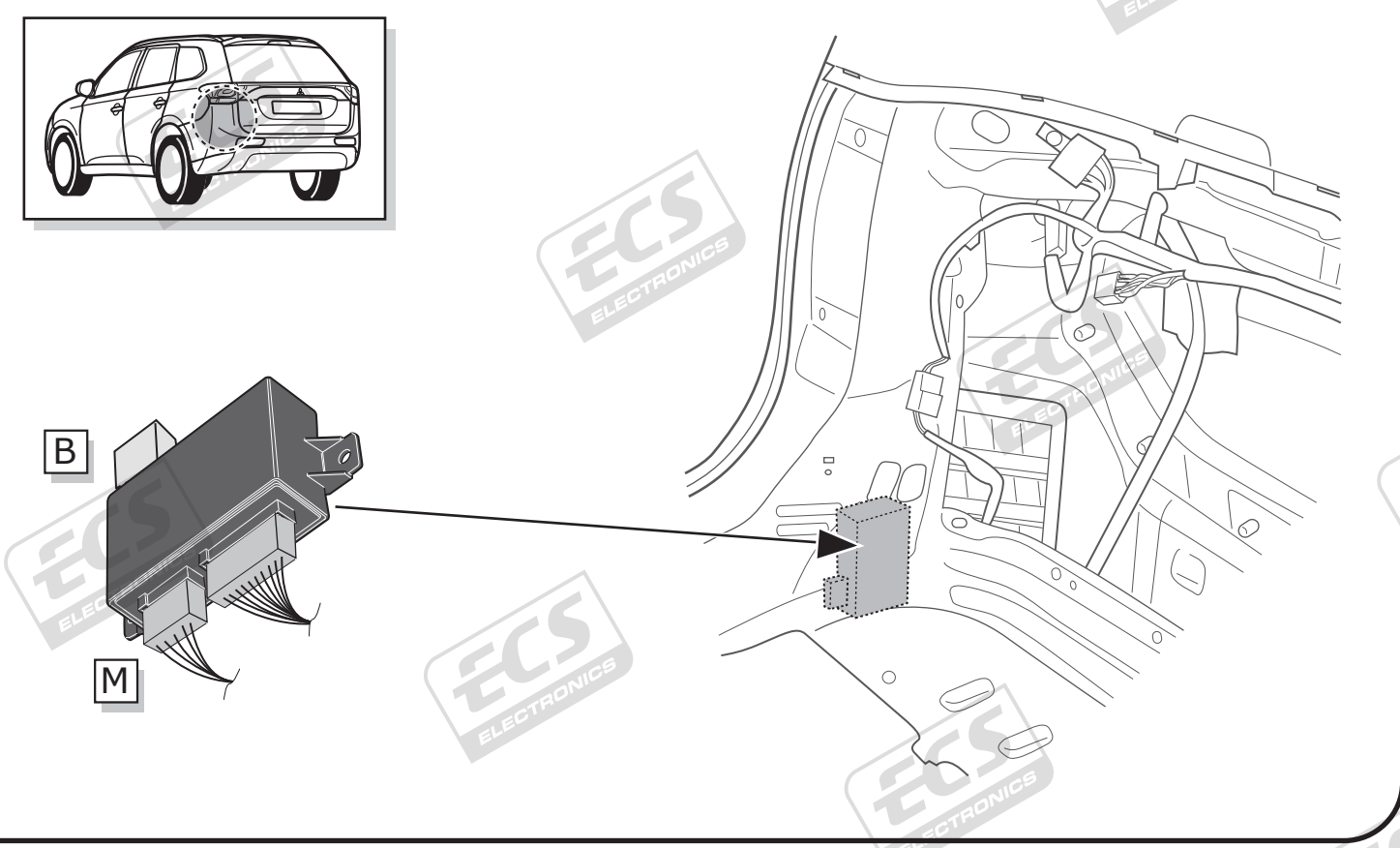
12



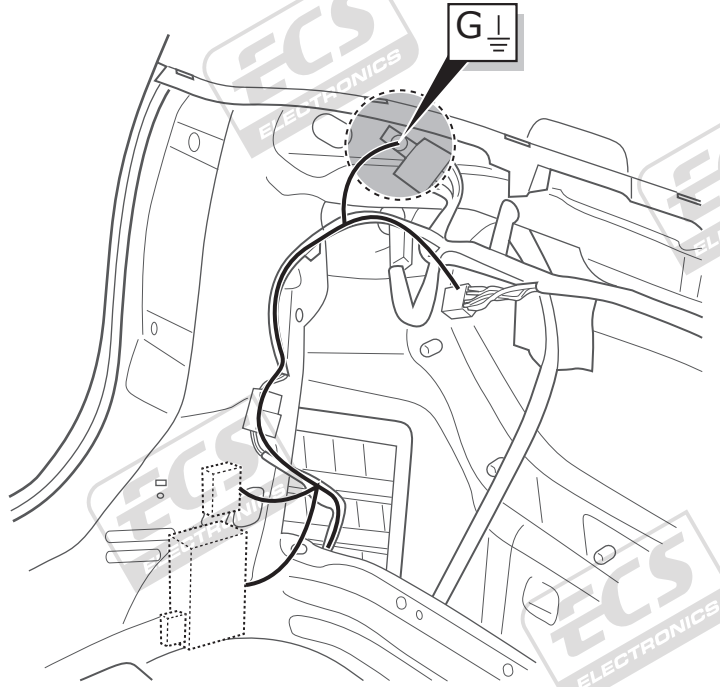
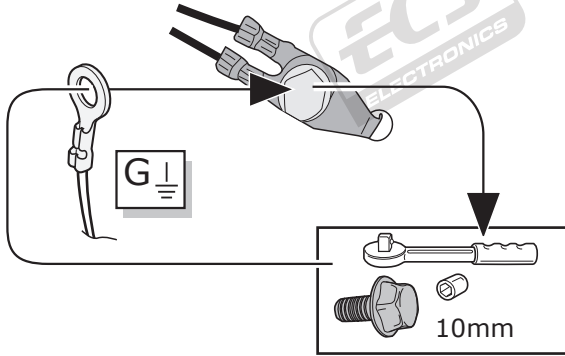
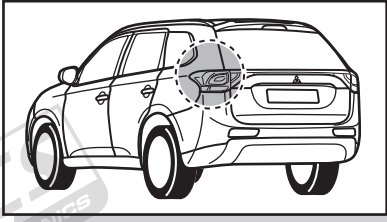
13



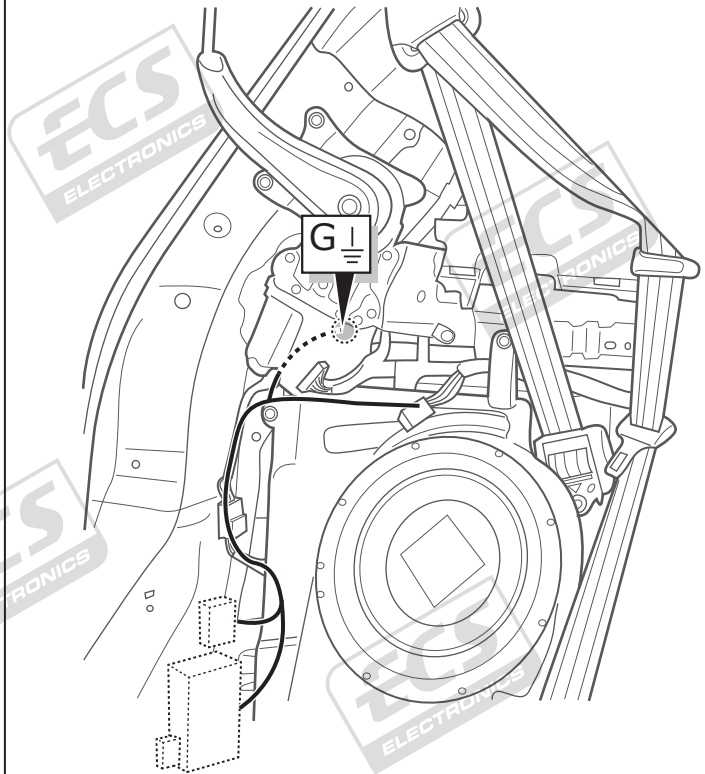
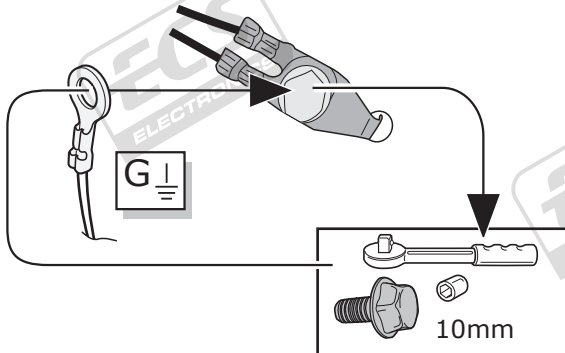
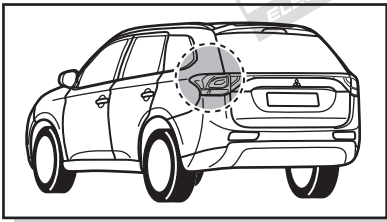
14



OPTION 1: without electrical tail gate opener



OPTION 2: with electrical tail gate opener



Option 1:
Mitsubishi Outlander 2013-

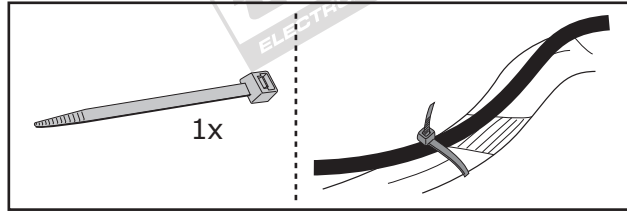
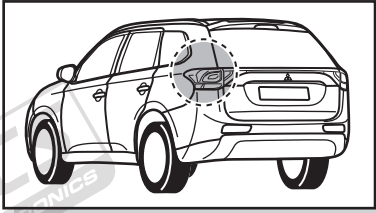


Option 2:
Mitsubishi Outlander
PHEV 09/2013-

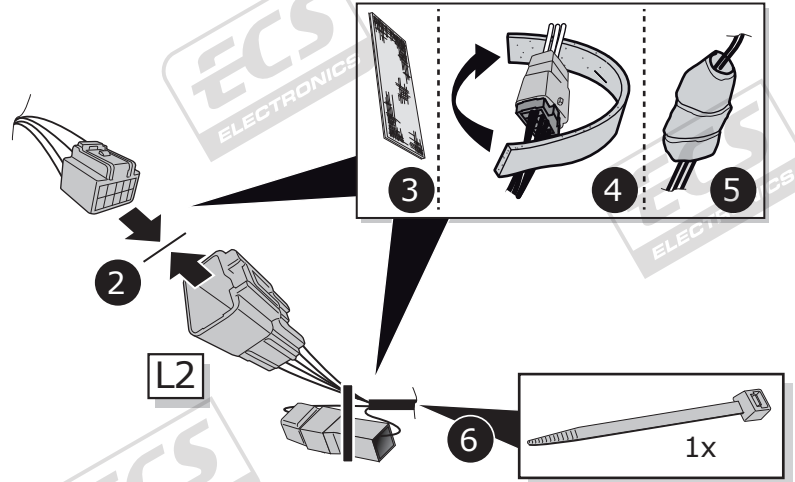
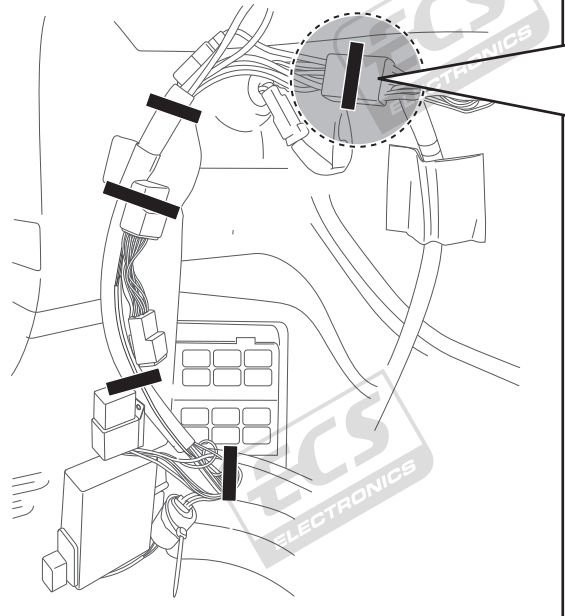


Option 1: Outlander 2013-

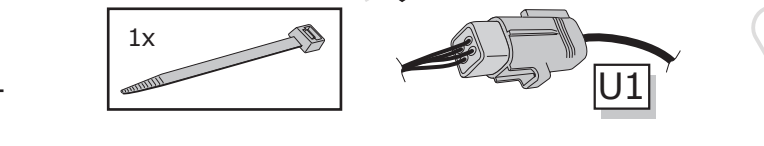
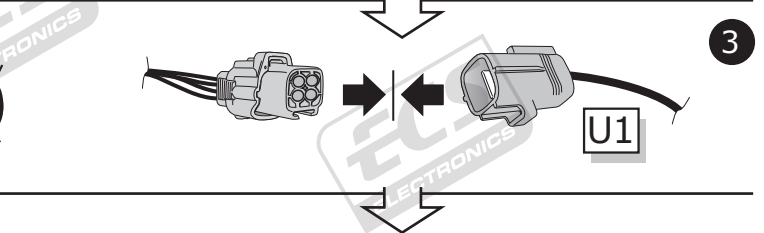
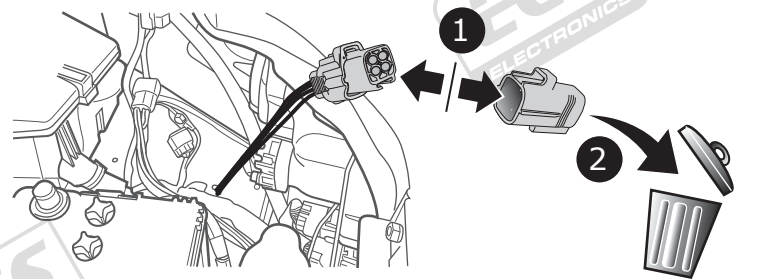
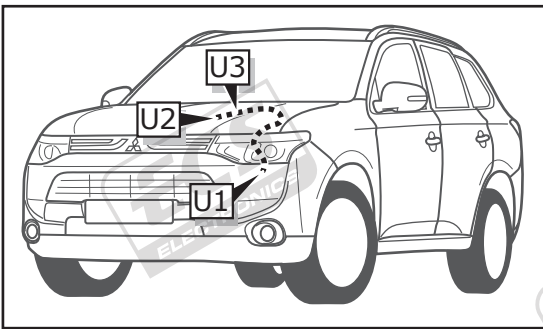
17



1



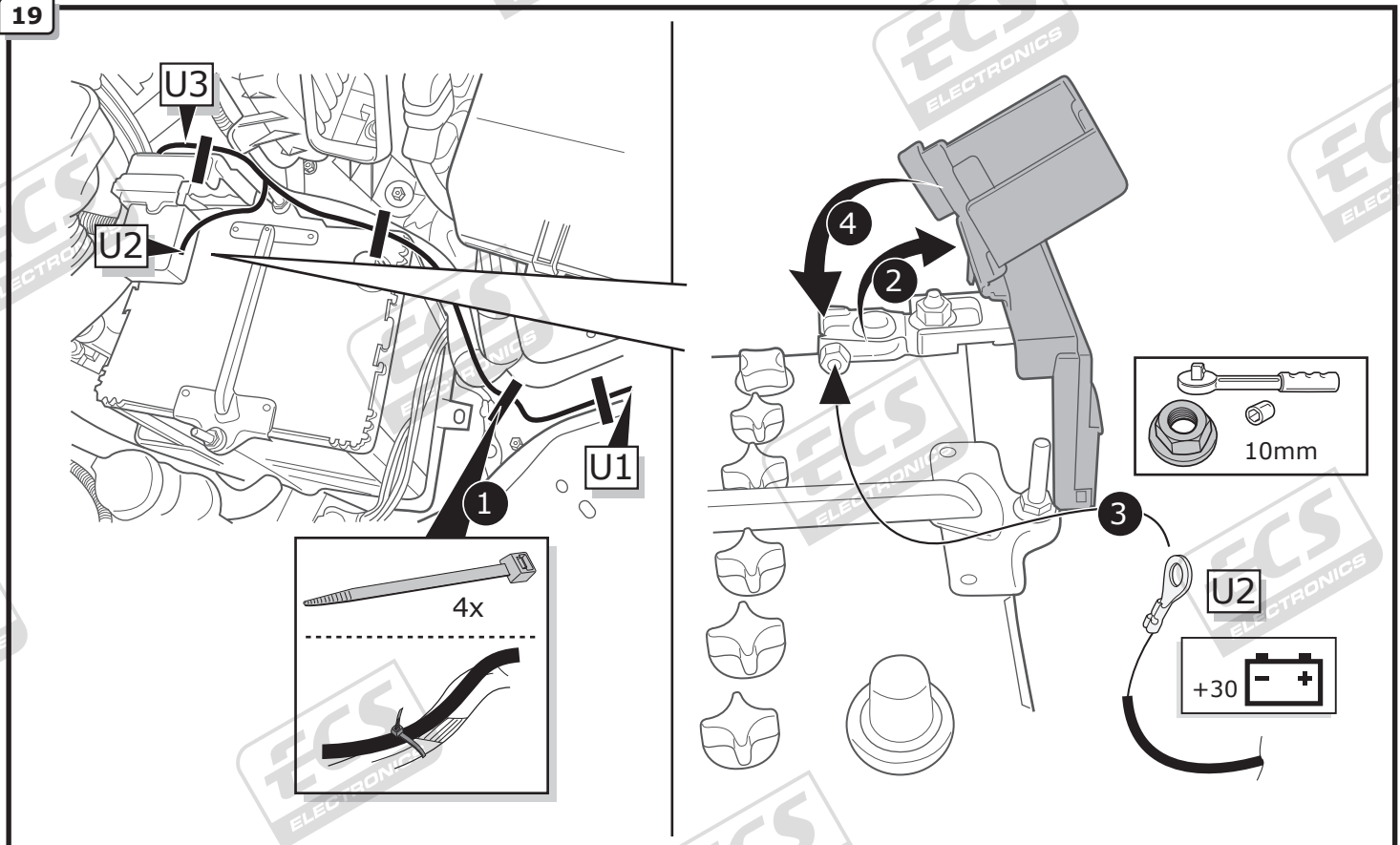
18



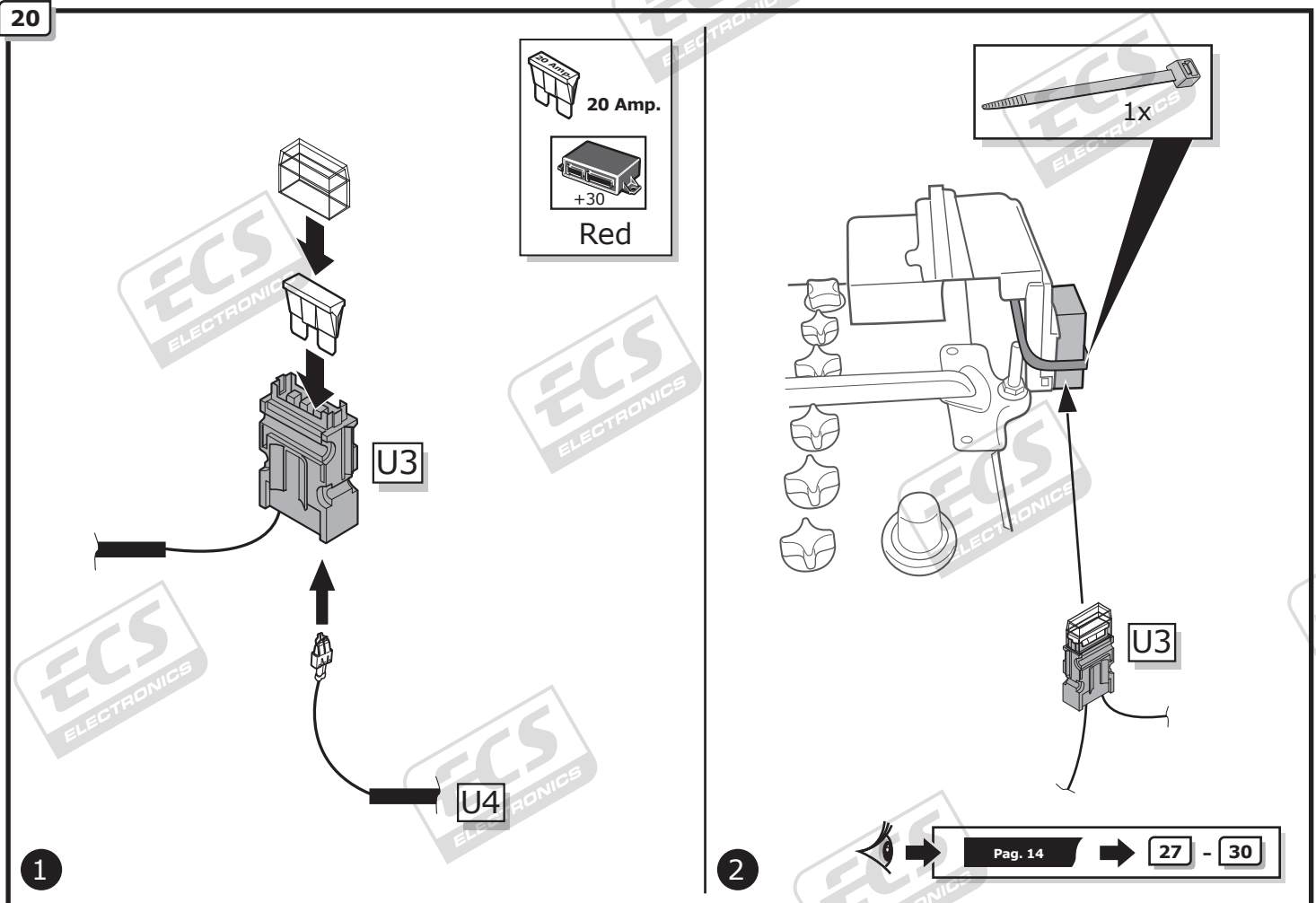
4

Option 1: Outlander 2013-

19

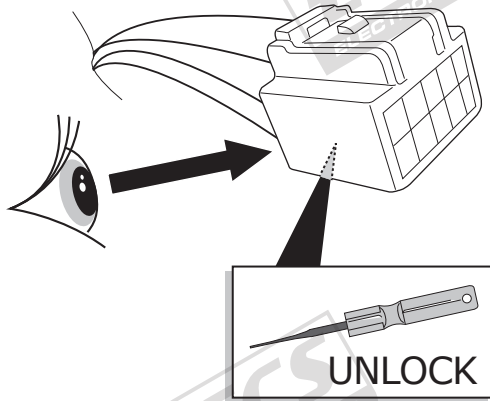
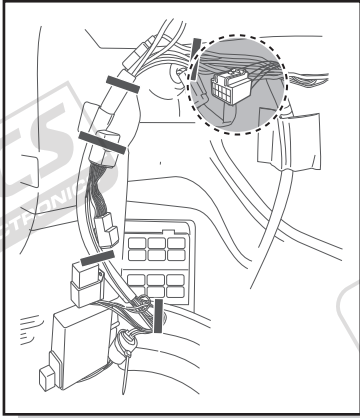


20



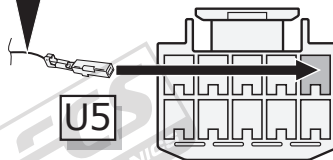
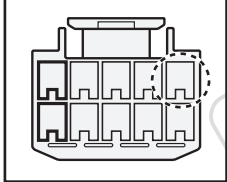
Option 2: Outlander PHEV 09/2013-

21

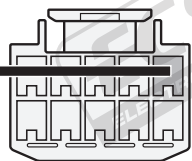
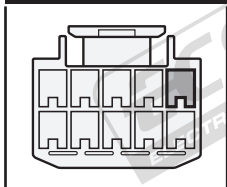


22

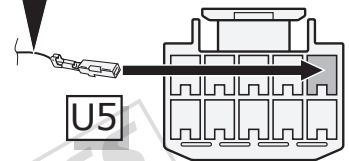
Option 1:
positions free



Option 2:
positions taken

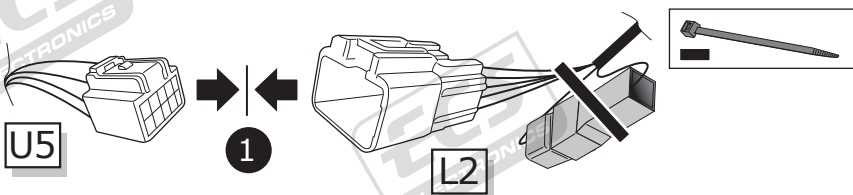


1



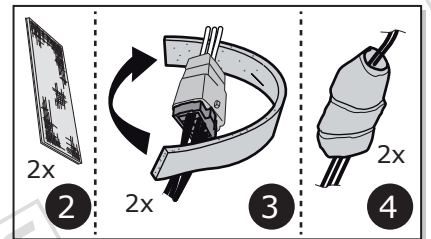
2

23



1

L2



2x

2

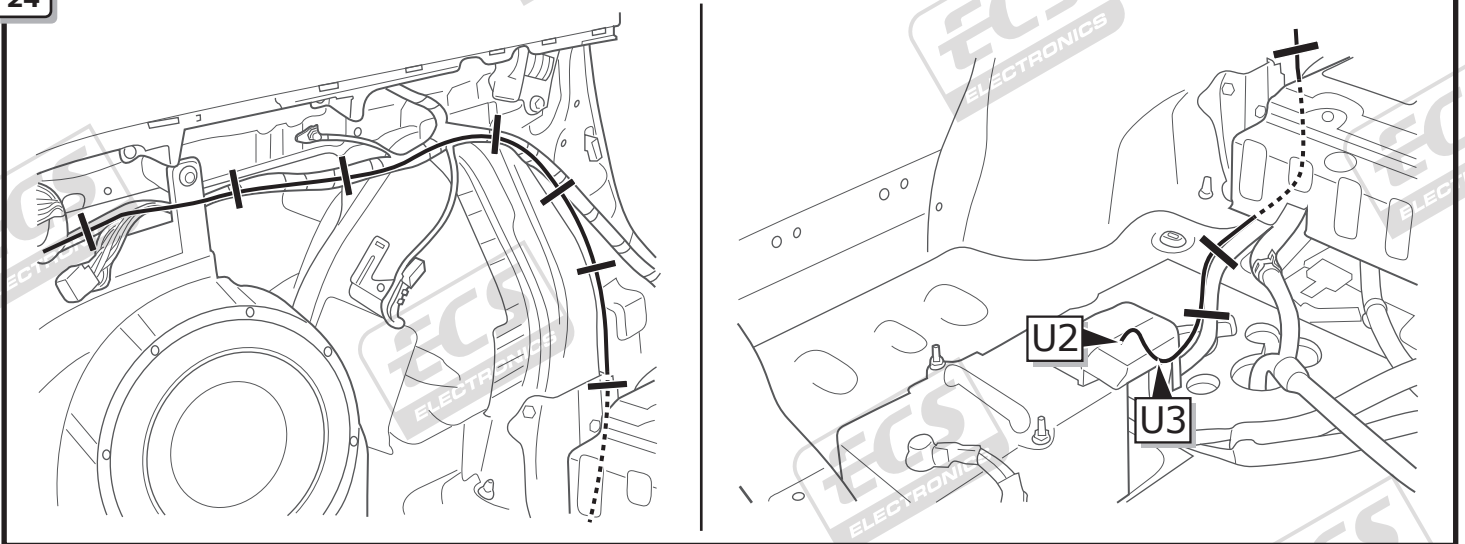
2x

3

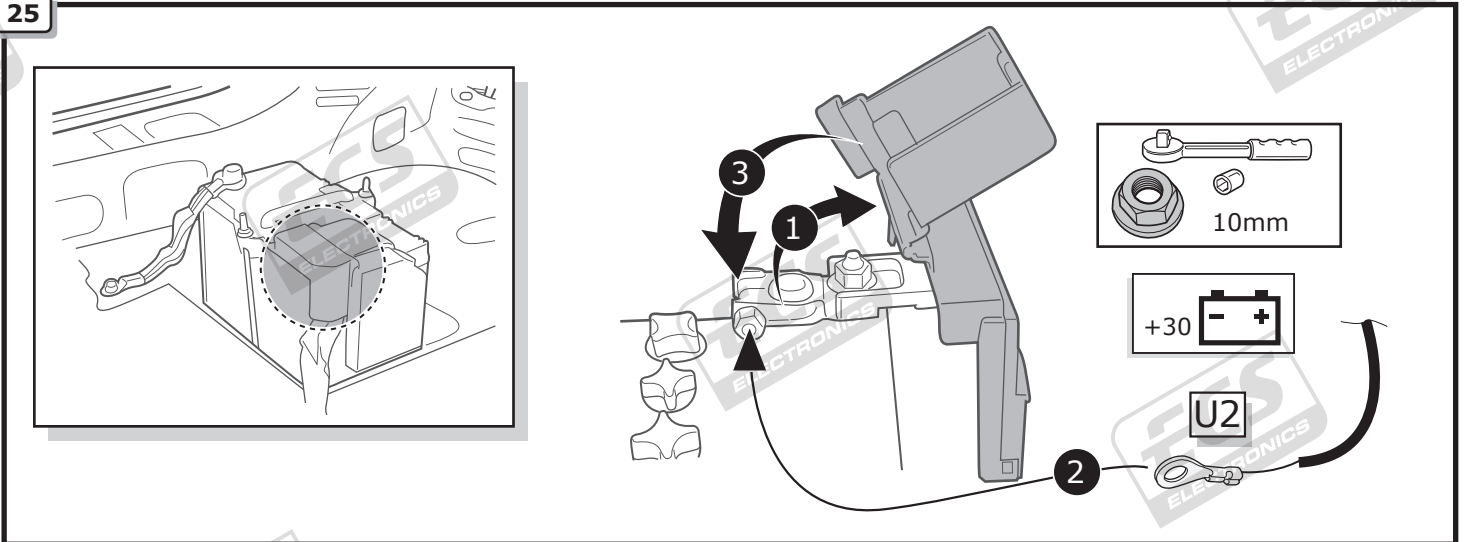
2x

4

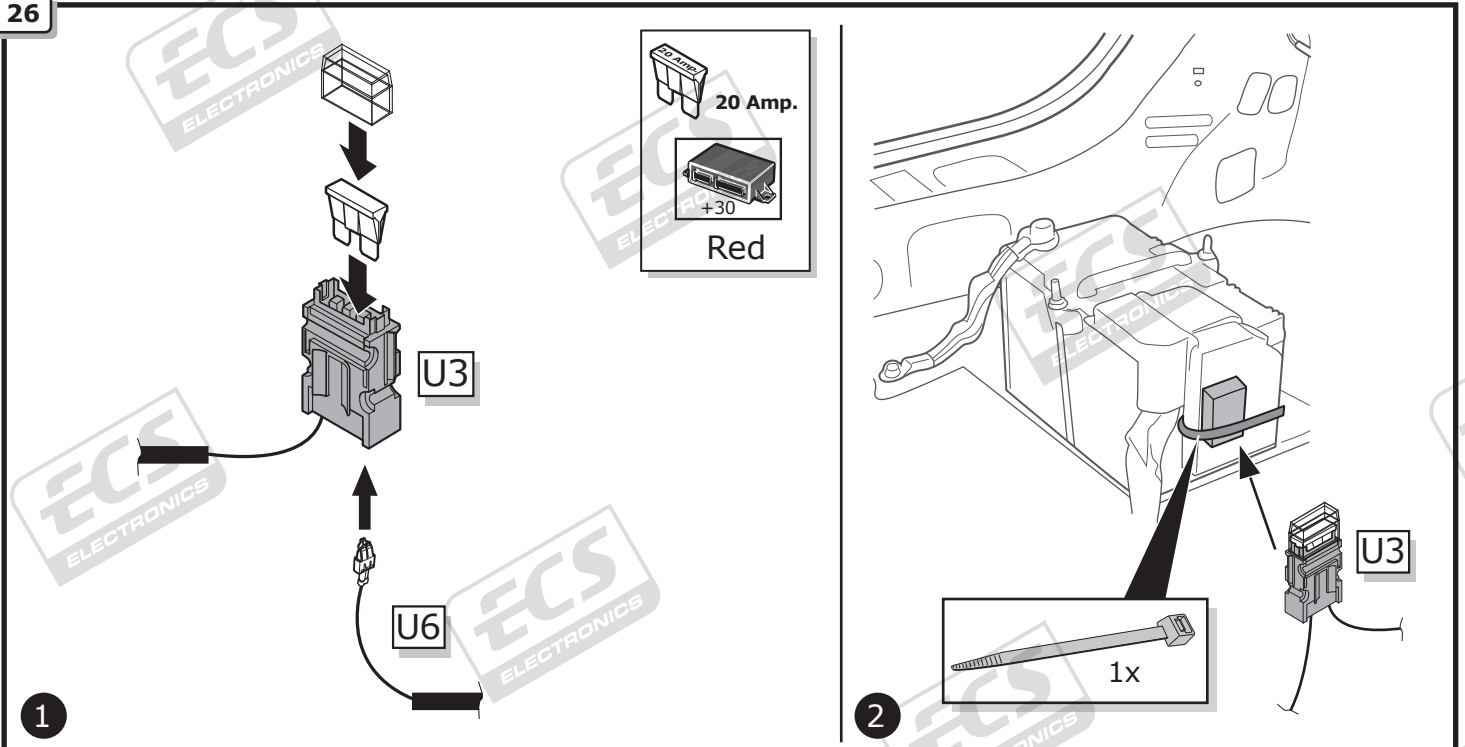
24



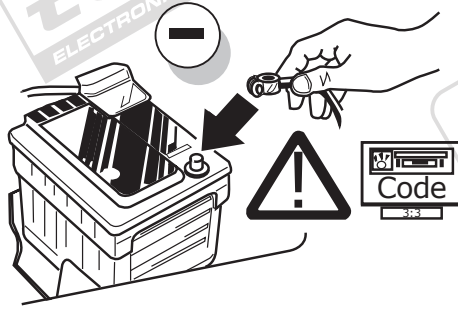
25



26



27



28

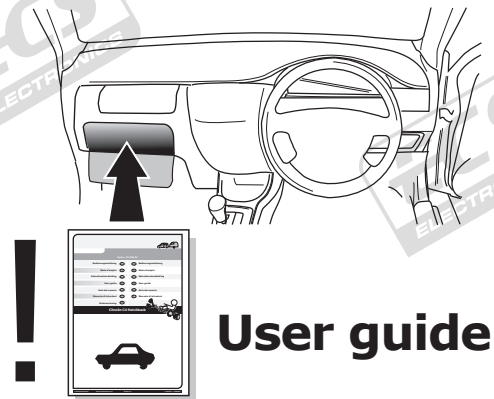


TEST ALL THE CIRCUITS WITH A TEST DEVICE WITH THE CORRECT POWER LOAD FOR EACH FUNCTION. A TEST DEVICE WITH LED'S CANNOT BE USED FOR THIS PURPOSE.

29

REINSTALL TRIM.

30



User guide

INFO

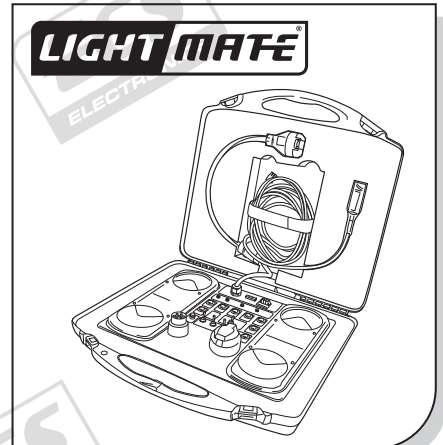
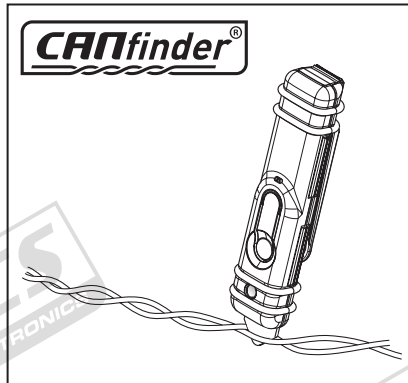
TECHNICAL SUPPORT

CALL 07440 202 052

MONDAY TO FRIDAY
08.00 - 11.00 am
12.00 - 05.00 pm



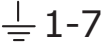




ECS ELECTRONICS
t.skinner@ecs-electronics.com
www.ecs-electronicsuk.co.uk

Products & Service



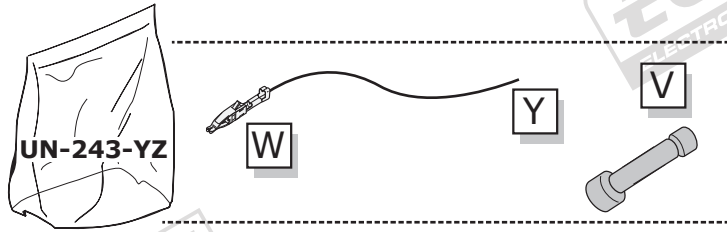
http://www.ecs-electronics.nl/NL/catalogus/test_gereedschap

SOCKET CONNECTION

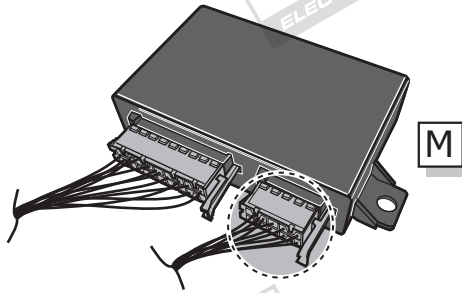
DIN/ISO 1724							
	1/L	2	3/31	4/R	5/58-R	6/54	7/58-L
Pmax	21W	2x21W		21W	52W	3x21W	52W
Colour	Yellow	Blue	White	Green	Brown	Red	Black

UN-243-YZ Reverse lamp pre-wire extension

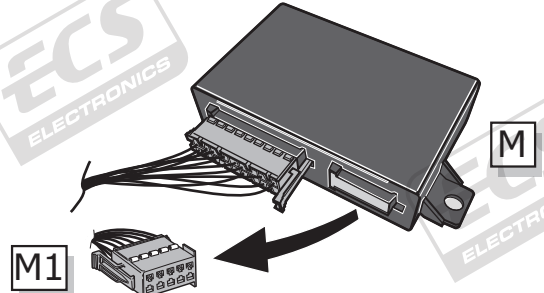
⚠ MAX = 21W



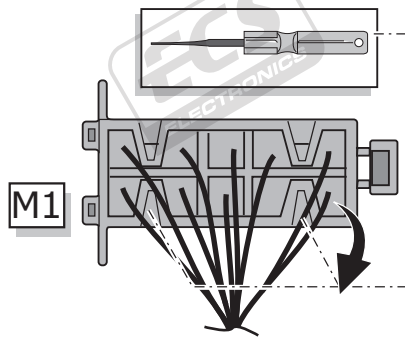
A



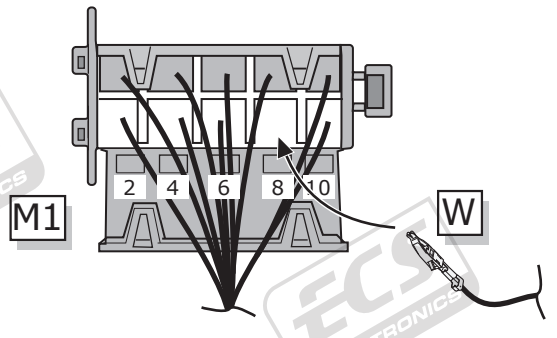
1



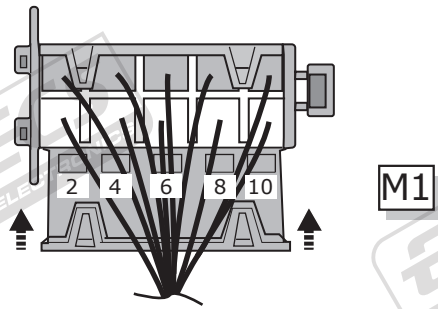
2



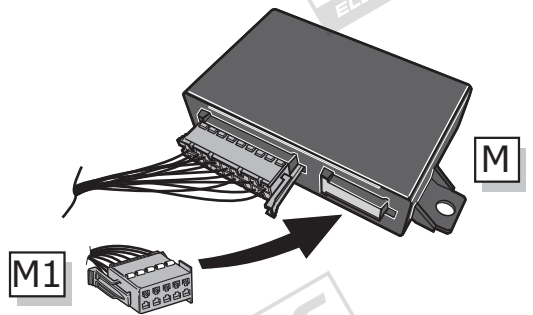
3



4



5



B

⚠ MAX = 21W

