

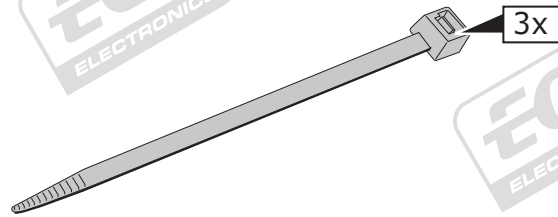
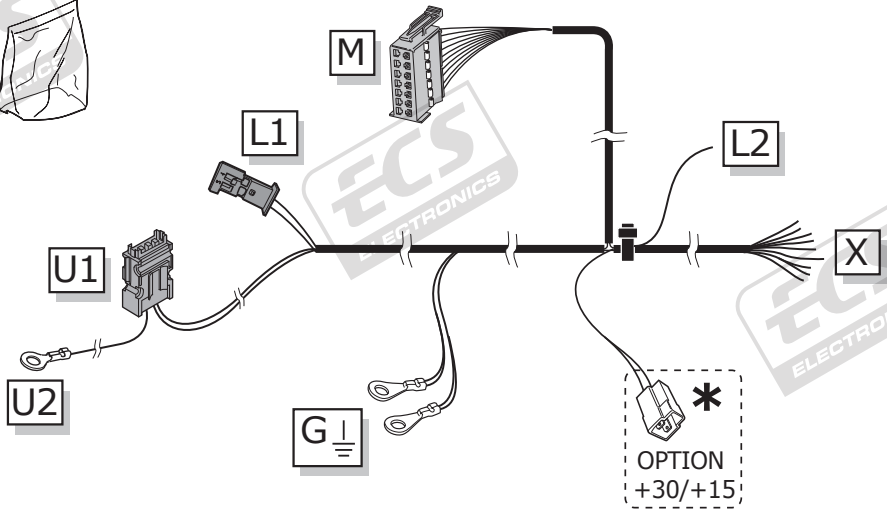
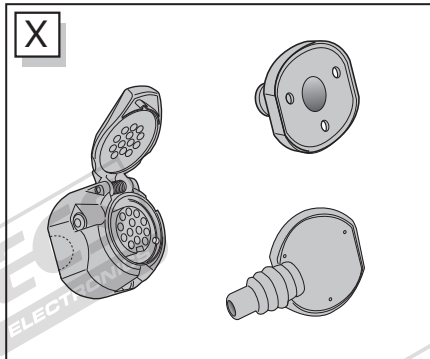
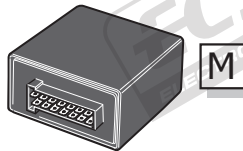
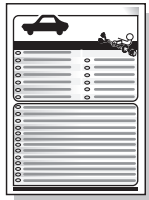
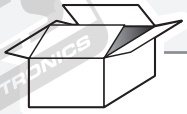
**Mercedes A-Class 09/2004-  
Mercedes B-Class 03/2005-**

**Partnr.: MB-068-D1U**

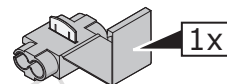
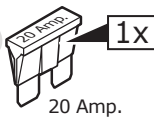
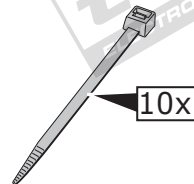
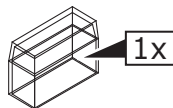
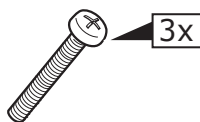
- Fitting instructions electric wiring kit tow bar with 13-P socket up to DIN/ISO Norm 11446.
- We would expressly point out that assembly not carried out properly by a competent installer will result in cancellation of any right to damage compensation, in particular those arising by virtue of the product liability act.
- Contents of these kits and their fitting manuals are subject to alteration without notice, please ensure that these instructions are read and fully understood before commencing installation.
- Do not overload circuits; the maximum loads per connection are detailed in this manual.
- Attention! Before Installation, please read this manual carefully and inform your customer to consult the vehicle owners manual to check for any vehicle modifications required before towing.
- In the event of functional problems, troubleshooting must be limited to about 0.5 hours, contact the technical support:  
[t.skinner@ecs-electronics.com](mailto:t.skinner@ecs-electronics.com) / 07440 202 052.



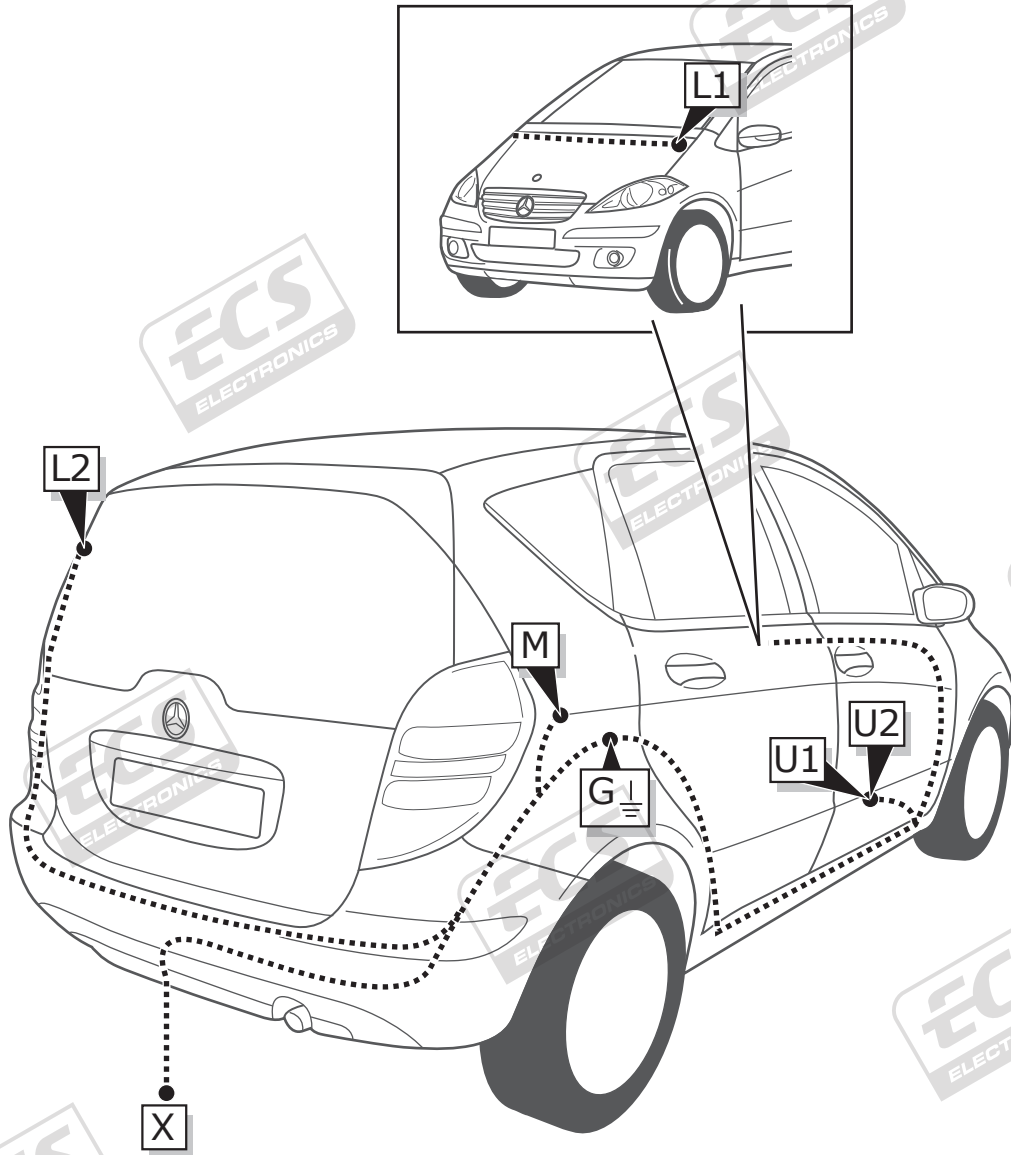
# Part list



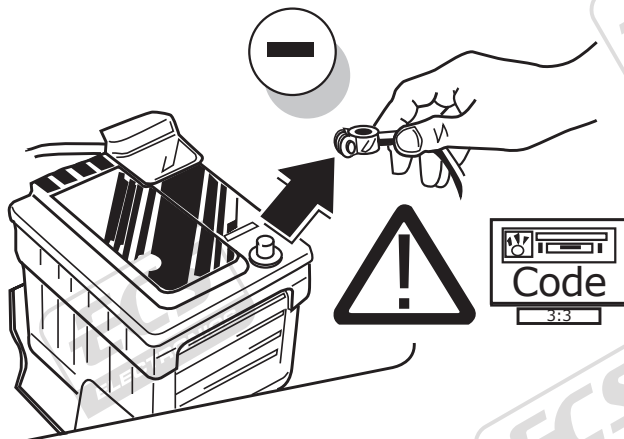
<p>* OPTION +30/+15 preparation for</p>	 +30 Brown/White	 +15 Red



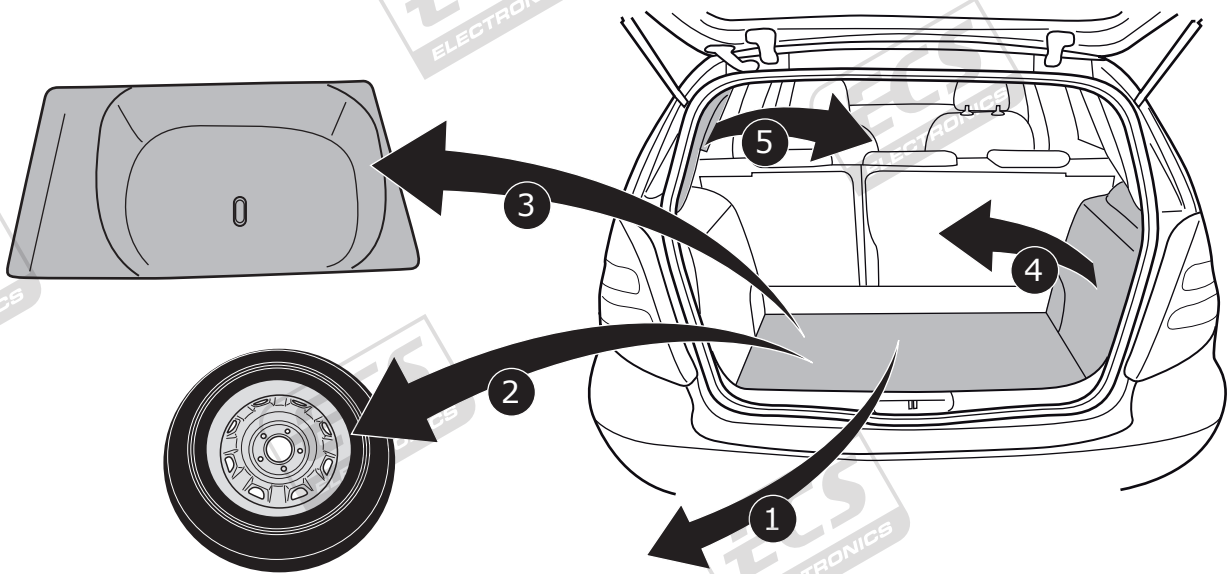
**ROUTING**



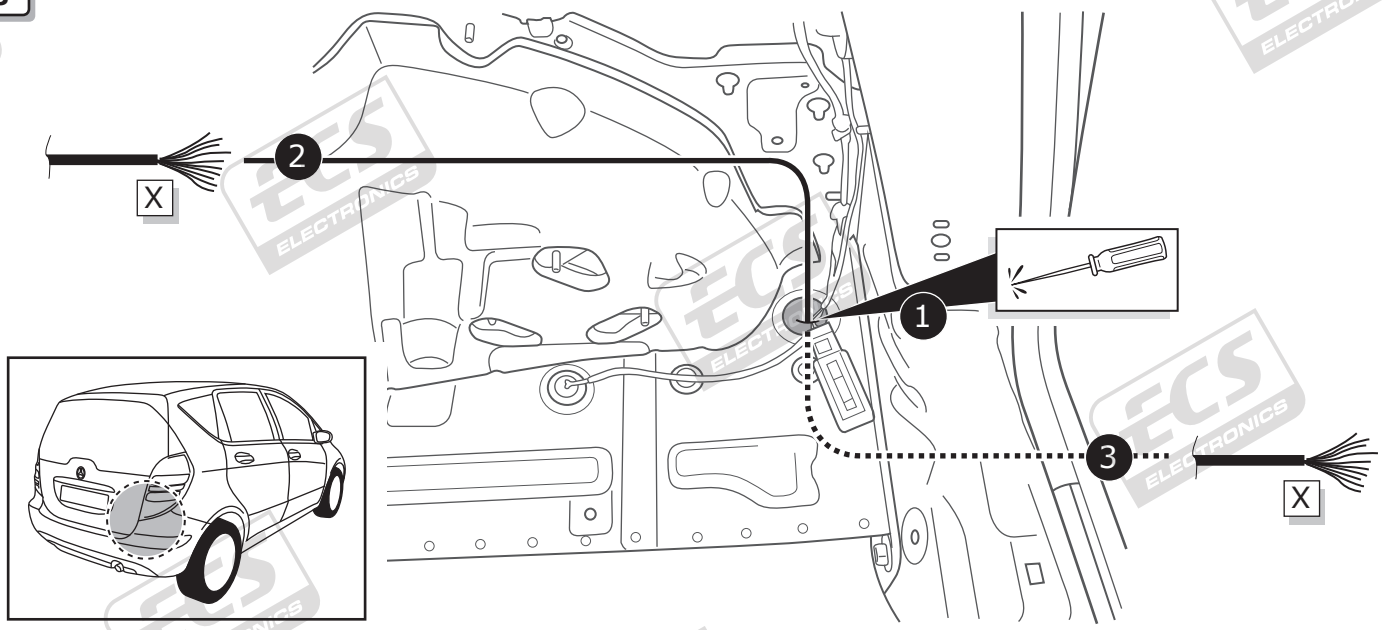
**1**



2

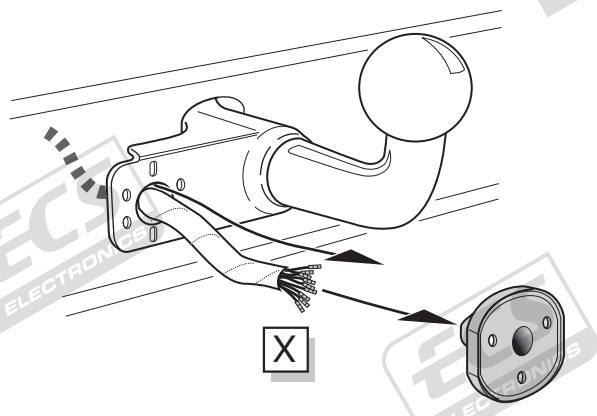


3

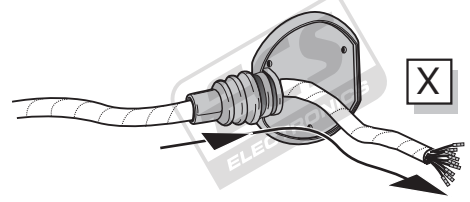


A

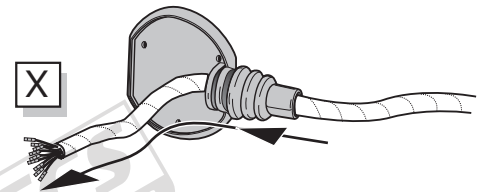
Option 1



Option 2



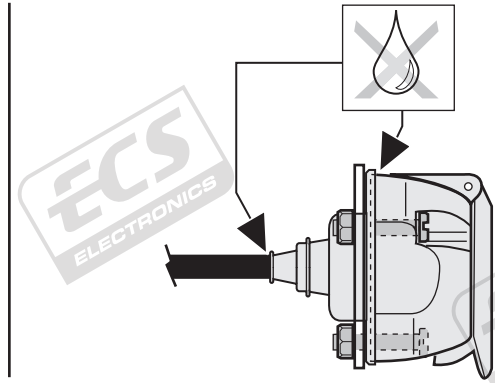
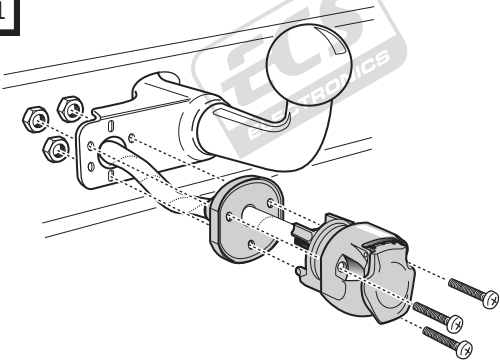
Option 3



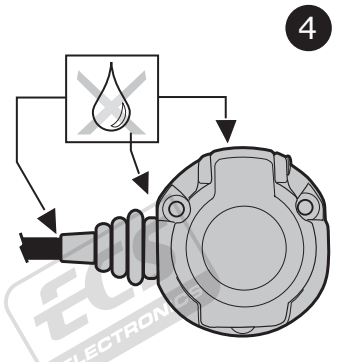
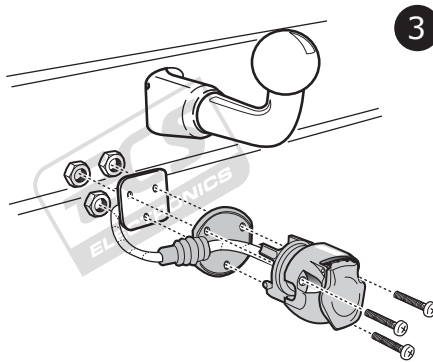
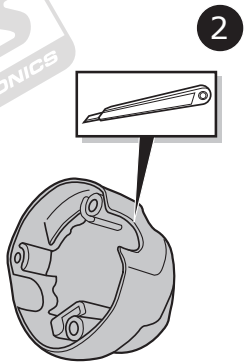
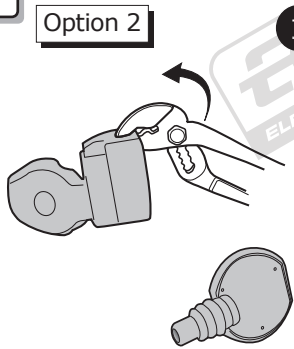
# SOCKET CONNECTION



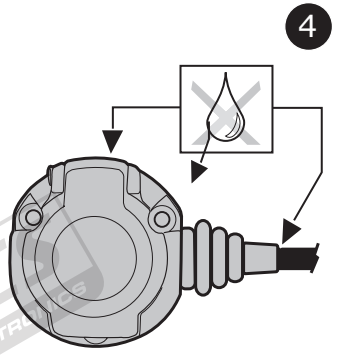
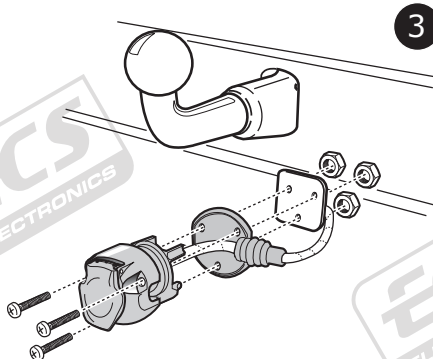
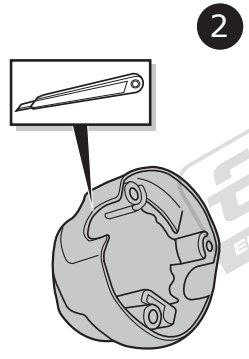
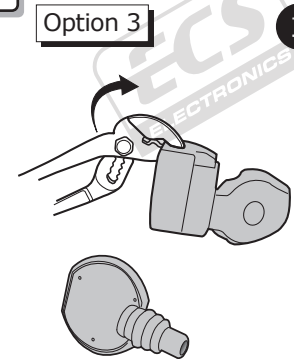
## B Option 1



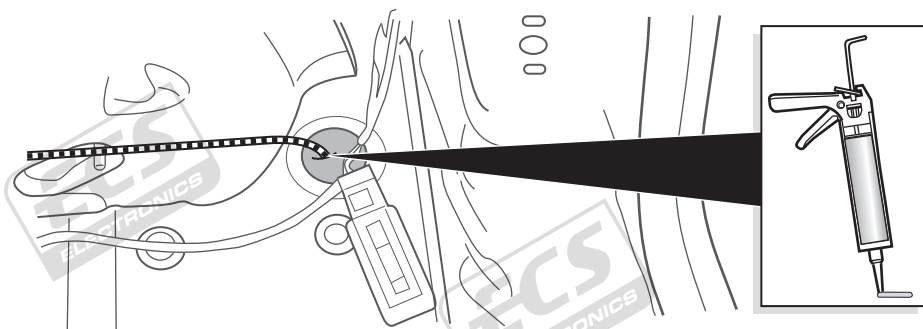
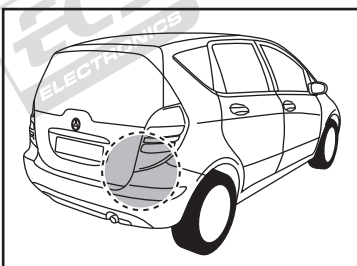
## C Option 2

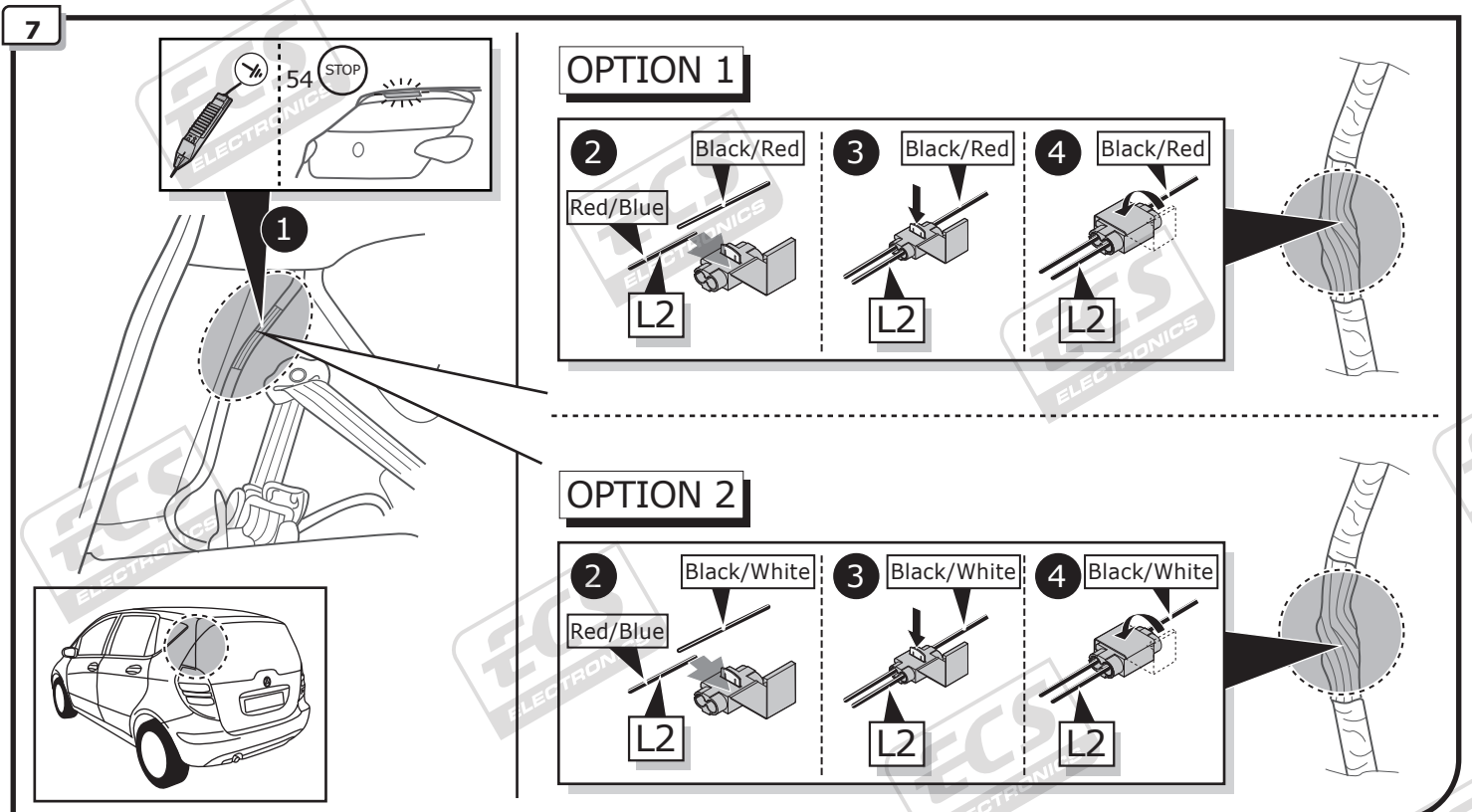
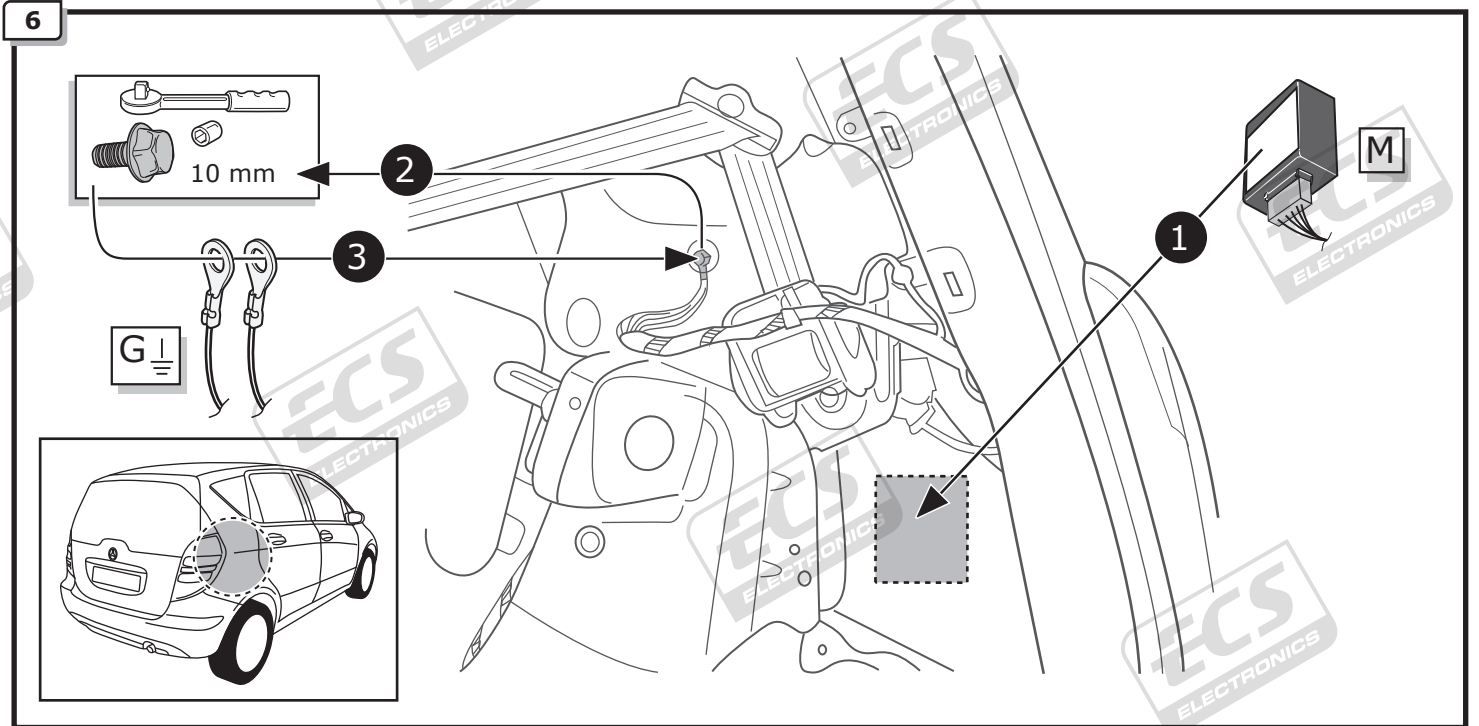
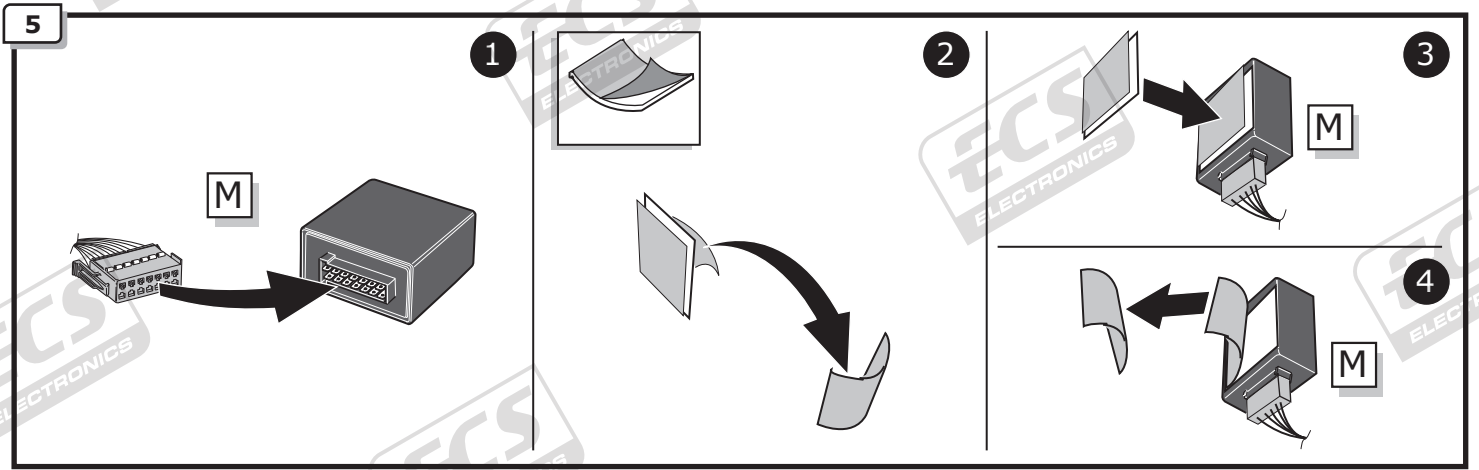


## D Option 3

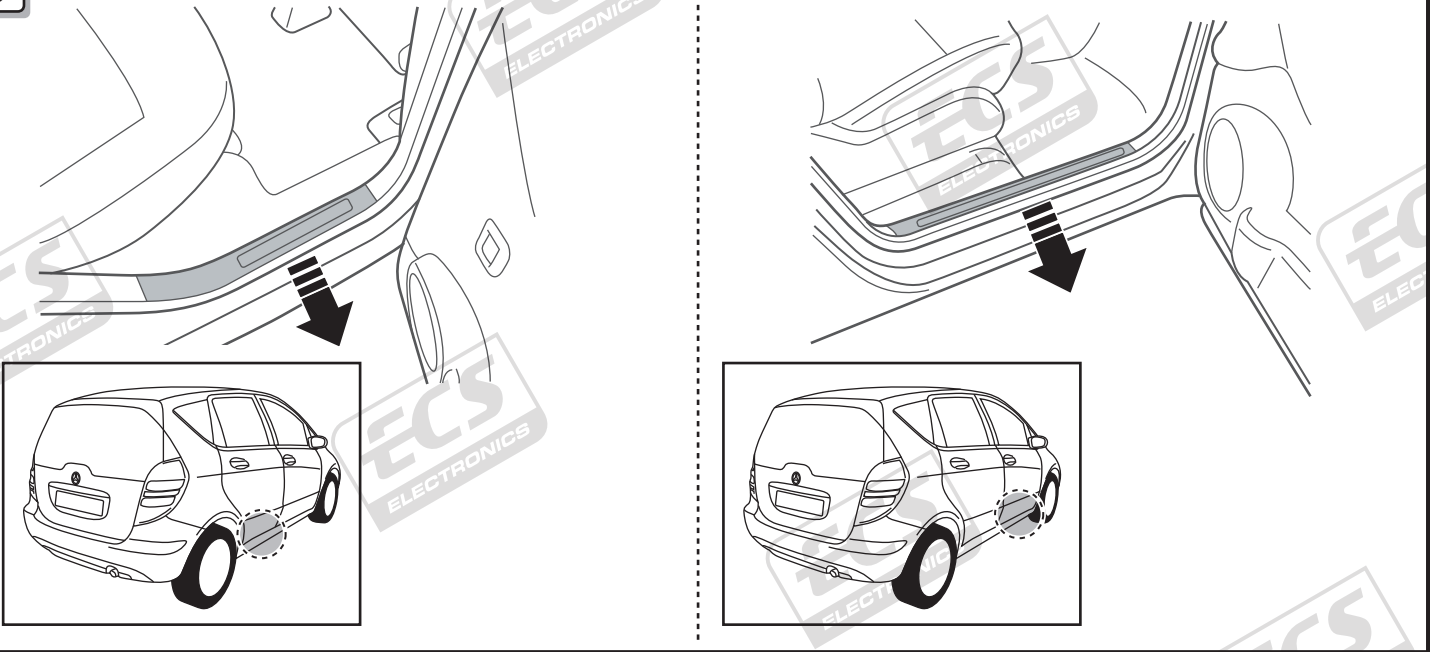


## 4

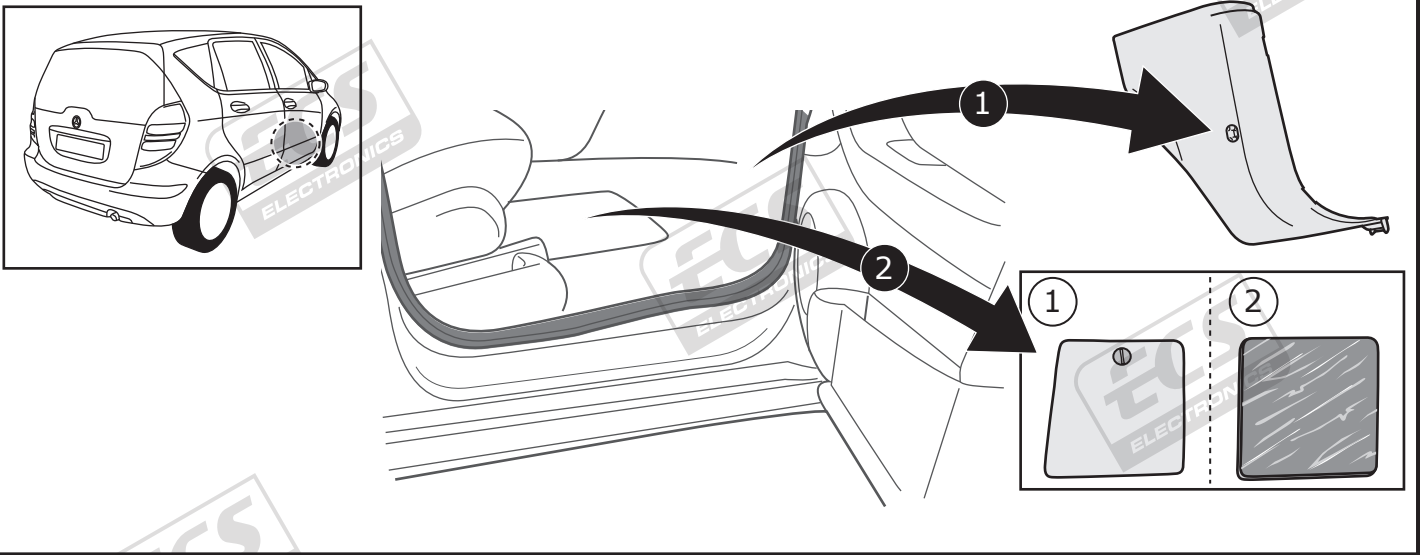




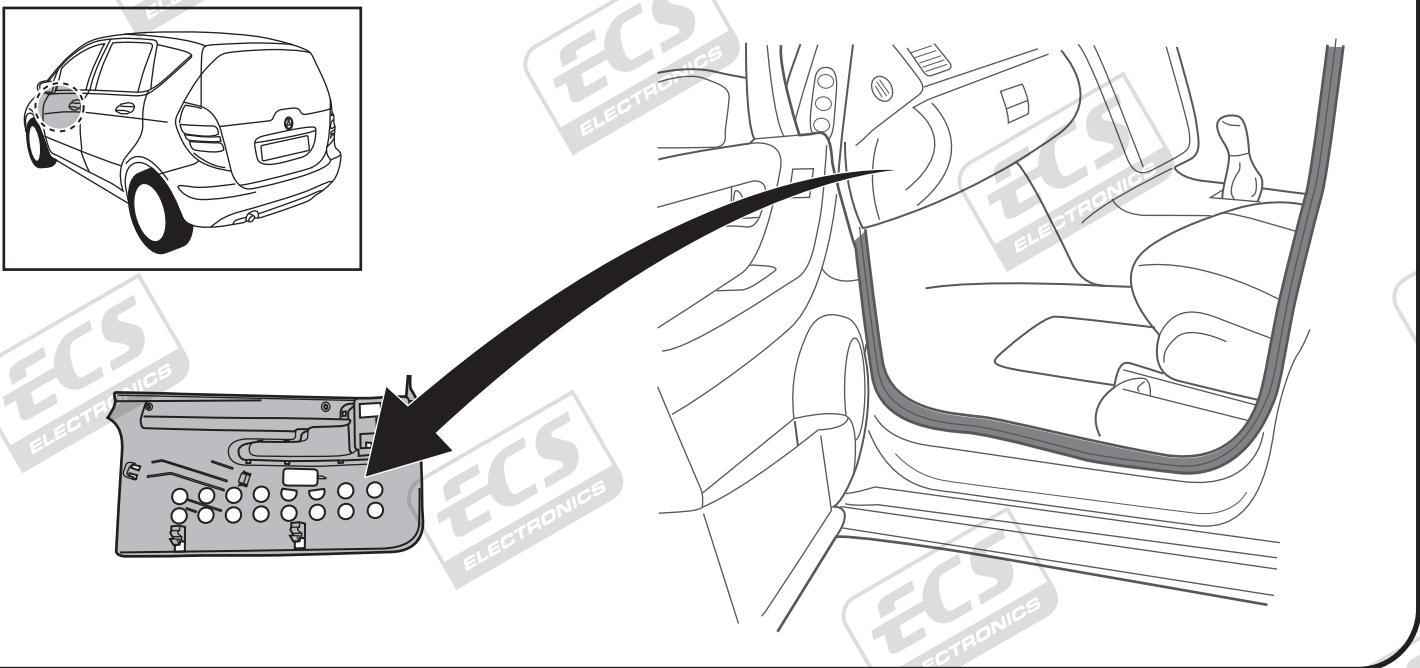
8



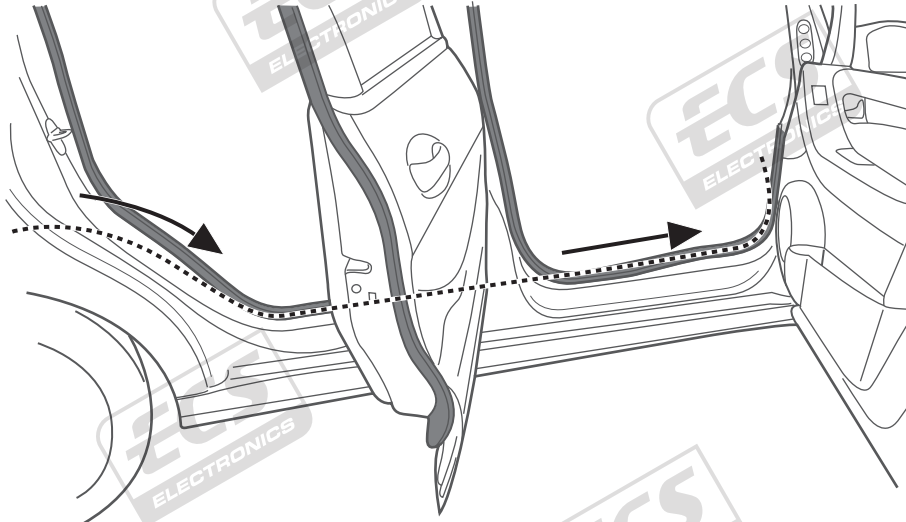
9



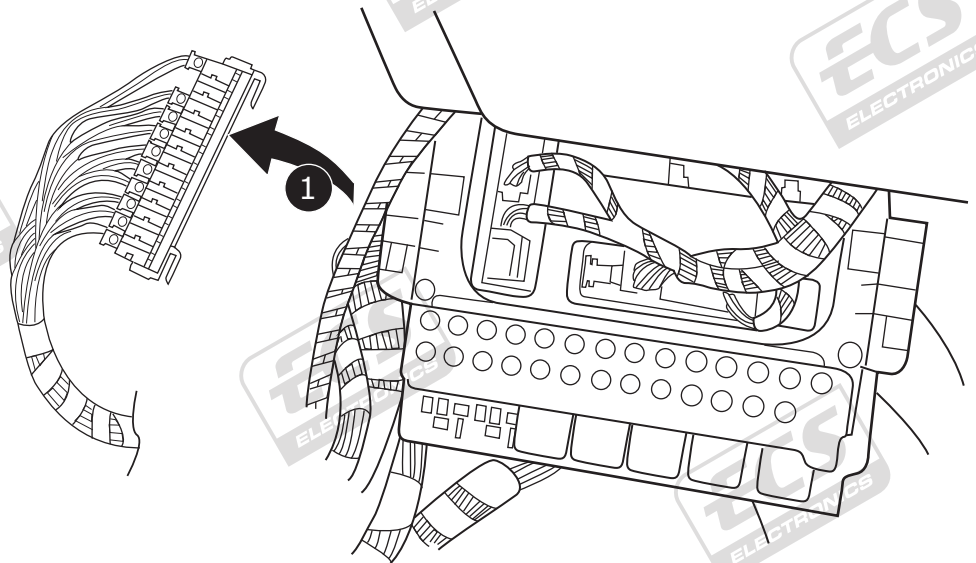
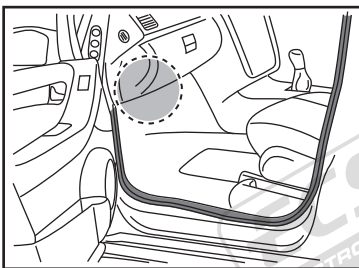
10



11

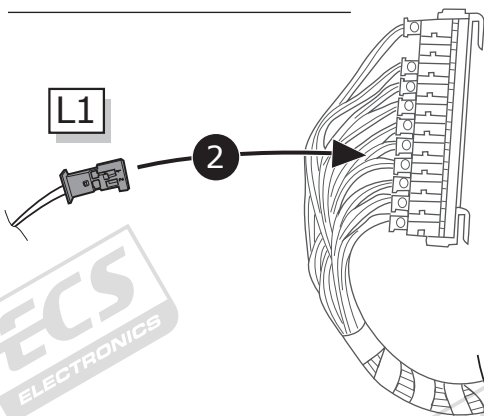


12



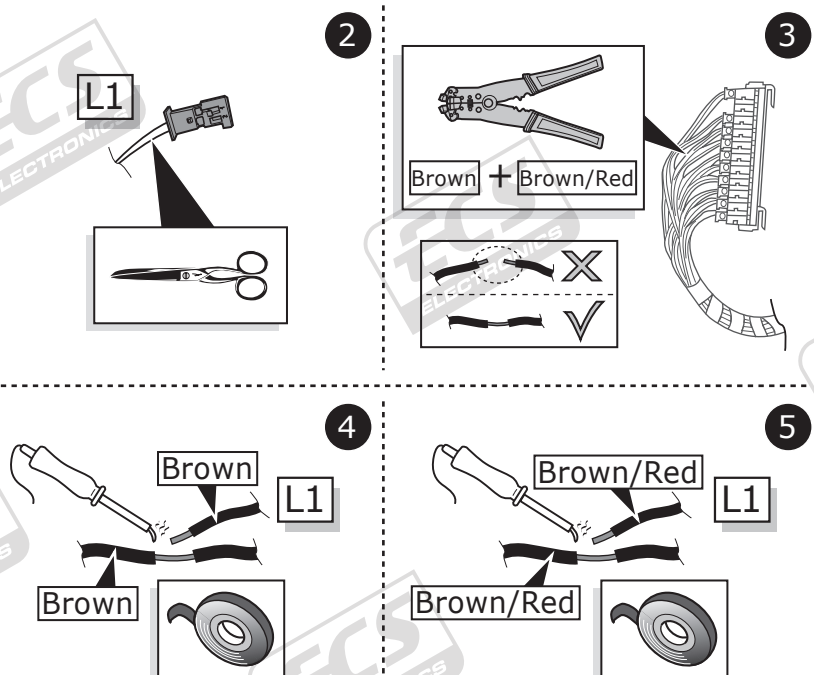
Option 1

Choose free Position



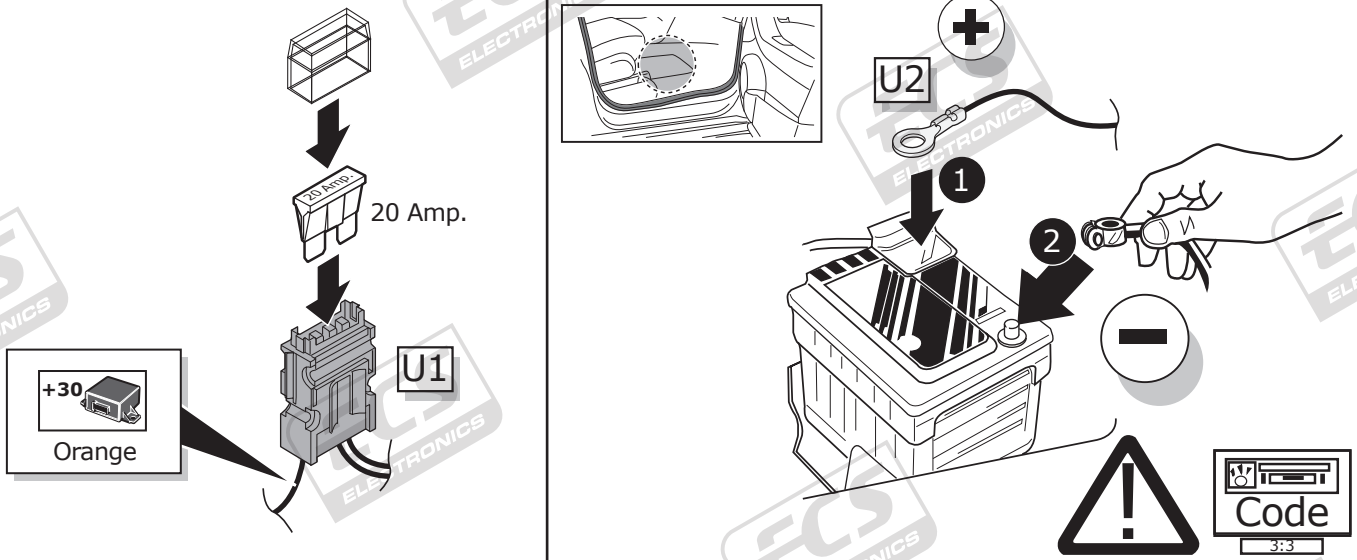
Option 2

If Positions are taken:





13



14

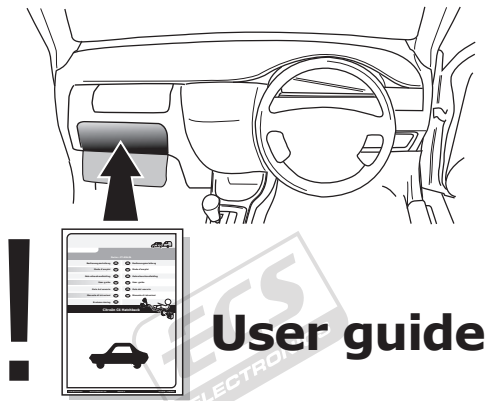


15

! TEST ALL THE CIRCUITS WITH A TEST DEVICE WITH THE CORRECT POWER LOAD FOR EACH FUNCTION. A TEST DEVICE WITH LED'S CANNOT BE USED FOR THIS PURPOSE.

INFO

REINSTALL TRIM.



**User guide**

**TECHNICAL SUPPORT**

**CALL 07440 202 052**

**MONDAY TO FRIDAY**  
08.00 - 11.00 am  
12.00 - 05.00 pm

**ECS ELECTRONICS**  
t.skinner@ecs-electronics.com  
www.ecs-electronicsuk.co.uk

**INFO**

**SOCKET CONNECTION**

DIN/ISO 11446													
	1/L	2	3/31	4/R	5/58-R	6/54	7/58-L	8	9	10	11	12	13
Pmax	21W	21W		21W	42W	3x21W	42W	21W	180W/15Amp	180W/15Amp			
Colour	Yellow	Blue	White	Green	Brown	Red 1,00 mm <sup>2</sup>	Black	Black/ Red	Brown/ White	Red 2,50 mm <sup>2</sup>	White	-	White