

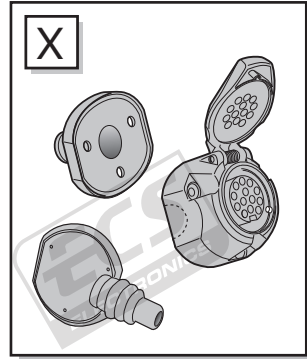
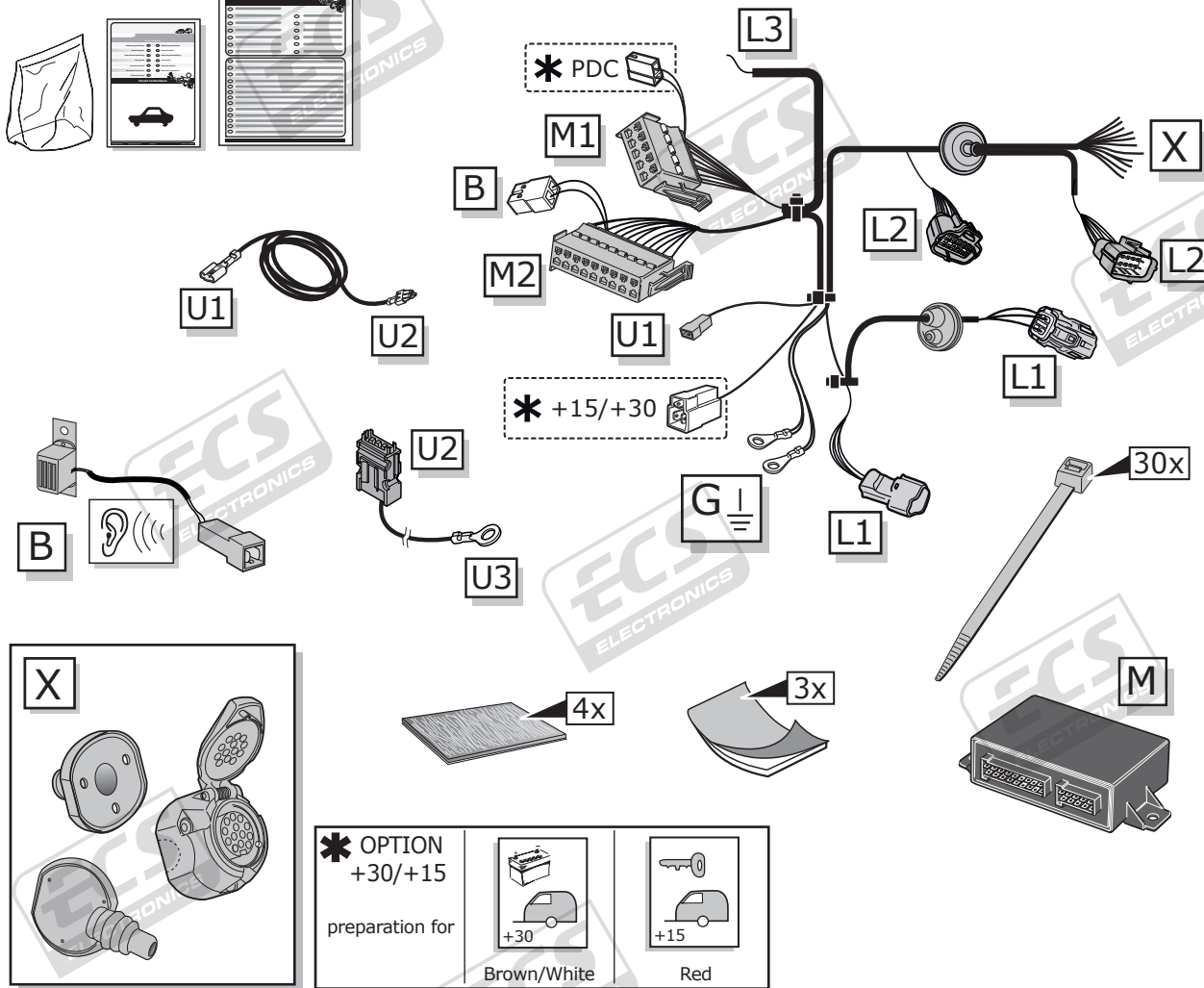
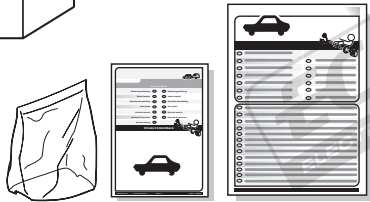
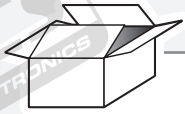
Kia Sportage 2010-

Partnr.: KI-066-DHU

- Fitting instructions electric wiring kit tow bar with 13-P socket up to DIN/ISO Norm 11446.
- We would expressly point out that assembly not carried out properly by a competent installer will result in cancellation of any right to damage compensation, in particular those arising by virtue of the product liability act.
- Contents of these kits and their fitting manuals are subject to alteration without notice, please ensure that these instructions are read and fully understood before commencing installation.
- Do not overload circuits; the maximum loads per connection are detailed in this manual.
- Attention! Before Installation, please read this manual carefully and inform your customer to consult the vehicle owners manual to check for any vehicle modifications required before towing.
- In the event of functional problems, troubleshooting must be limited to about 0.5 hours, contact the technical support:
t.skinner@ecs-electronics.com / 07440 202 052.



Part list



*** OPTION +30/+15**
preparation for

Brown/White	Red



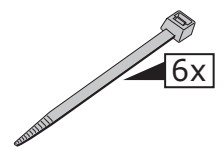
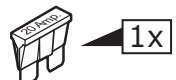
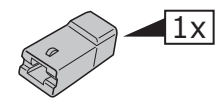
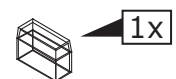
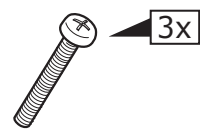
*** OPTION PDC**

PARK DISTANCE CONTROL

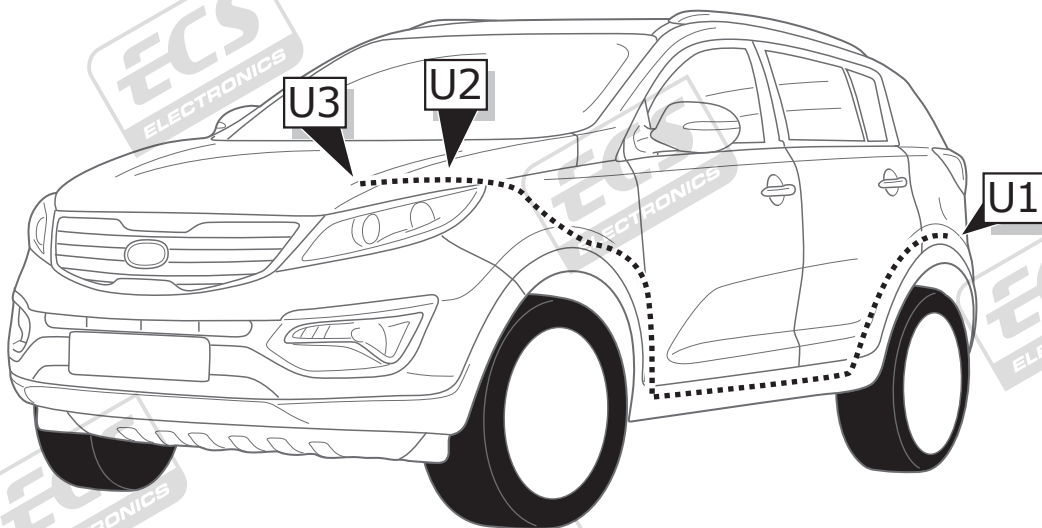
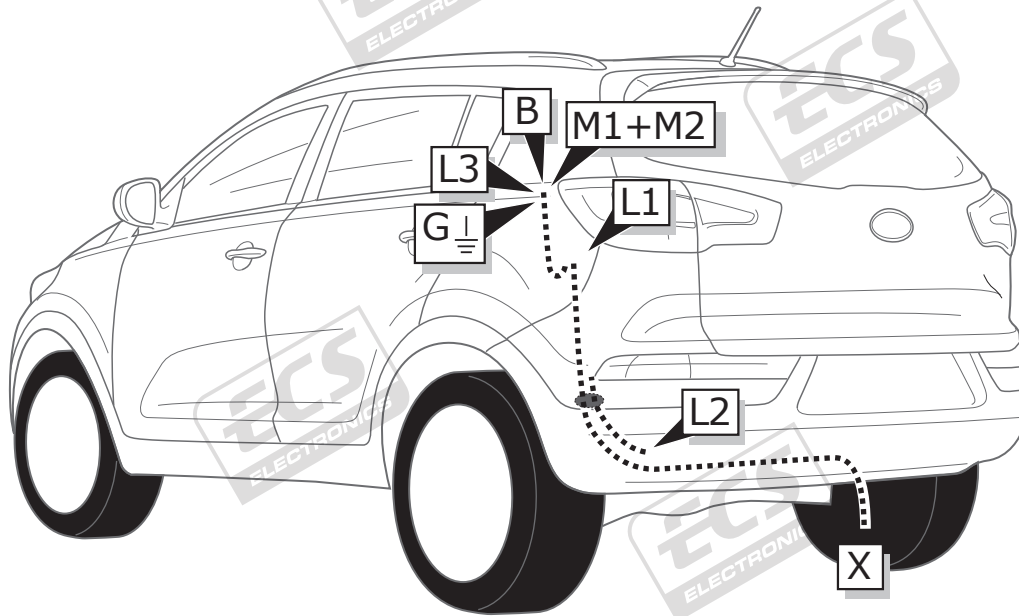
PARK DISTANCE CONTROL

2x

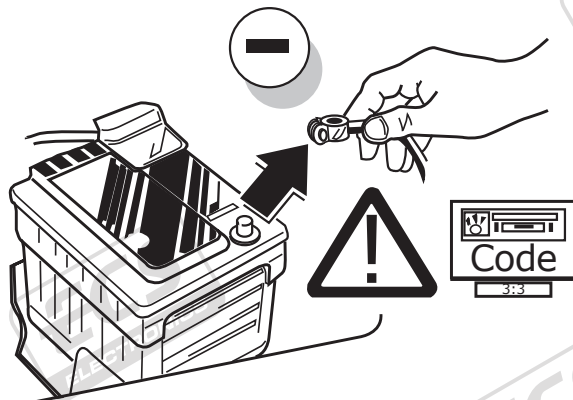
Pag. 12



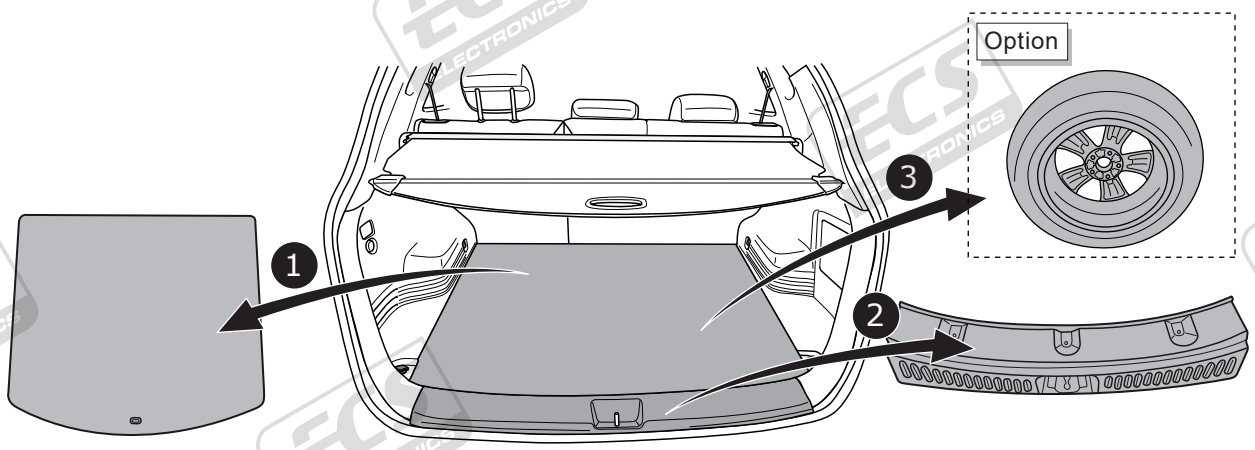
ROUTING



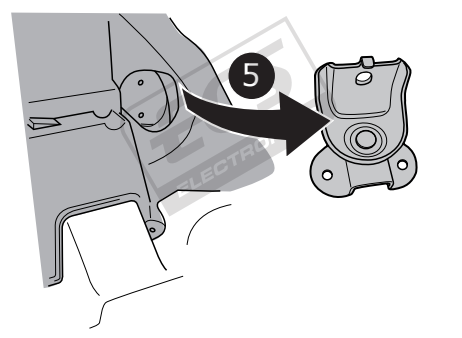
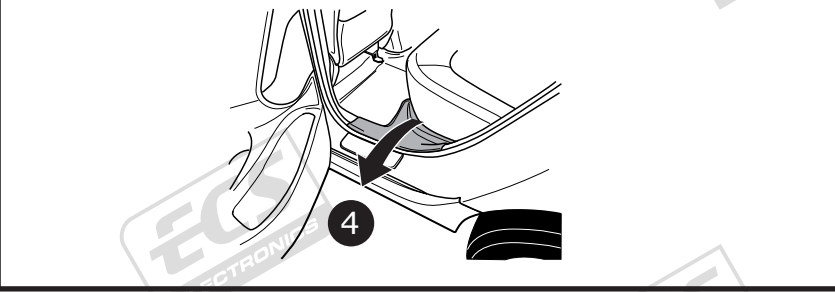
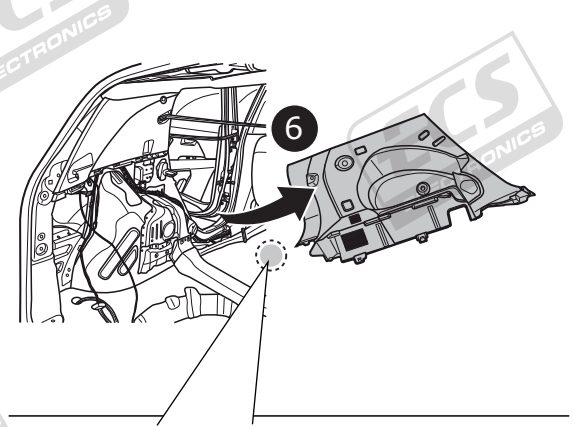
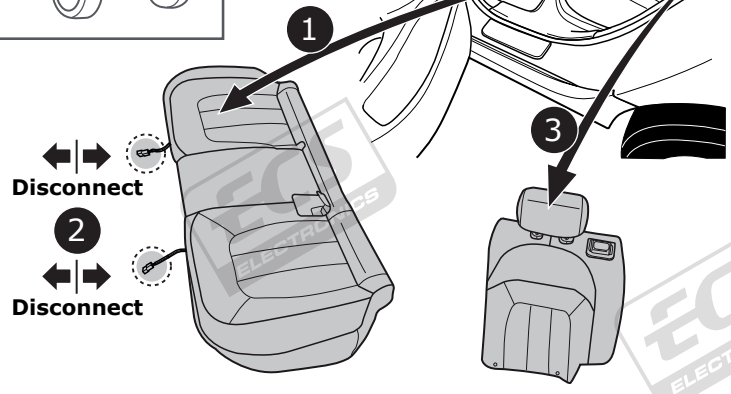
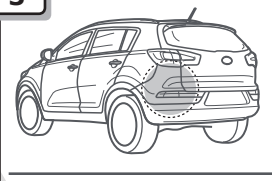
1



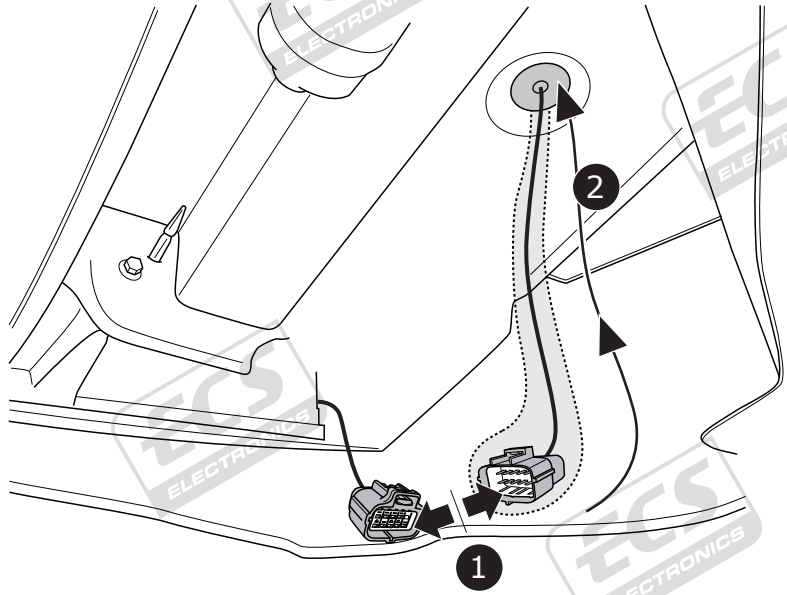
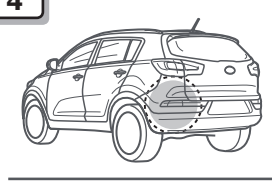
2



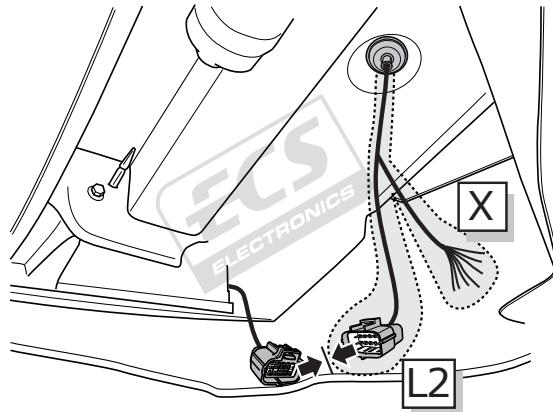
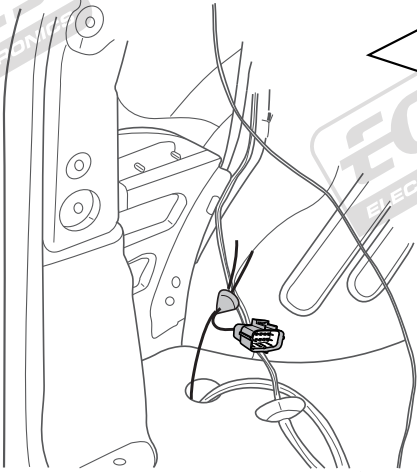
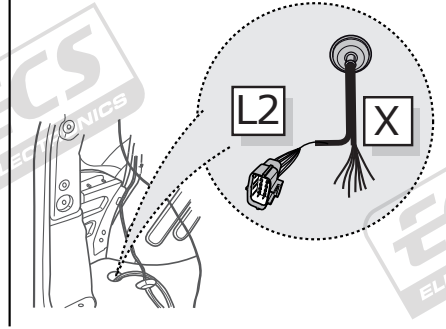
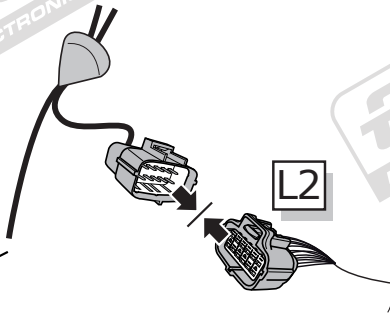
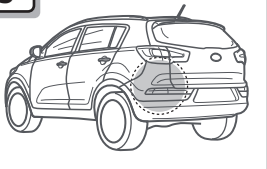
3



4

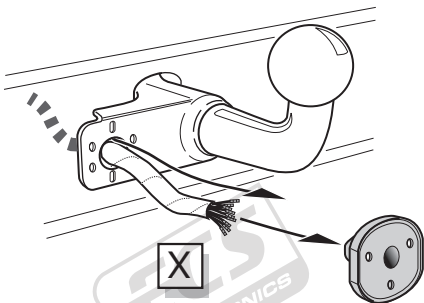


5

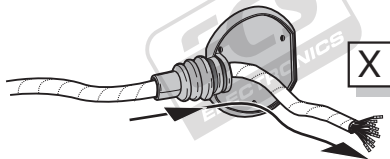


A

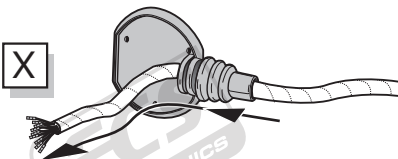
Option 1



Option 2



Option 3



INFO

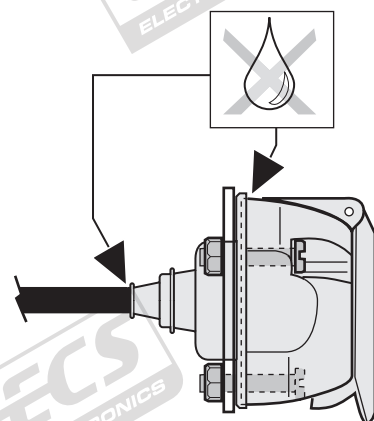
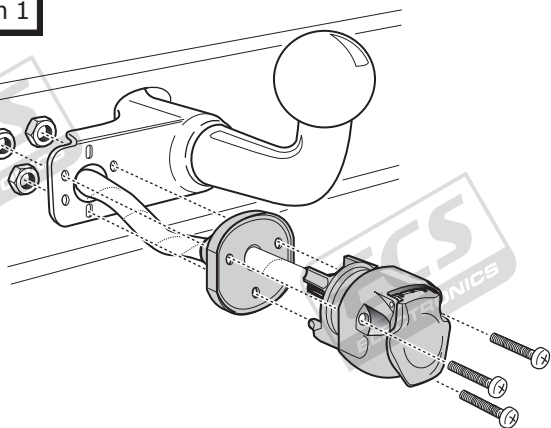
SOCKET CONNECTION

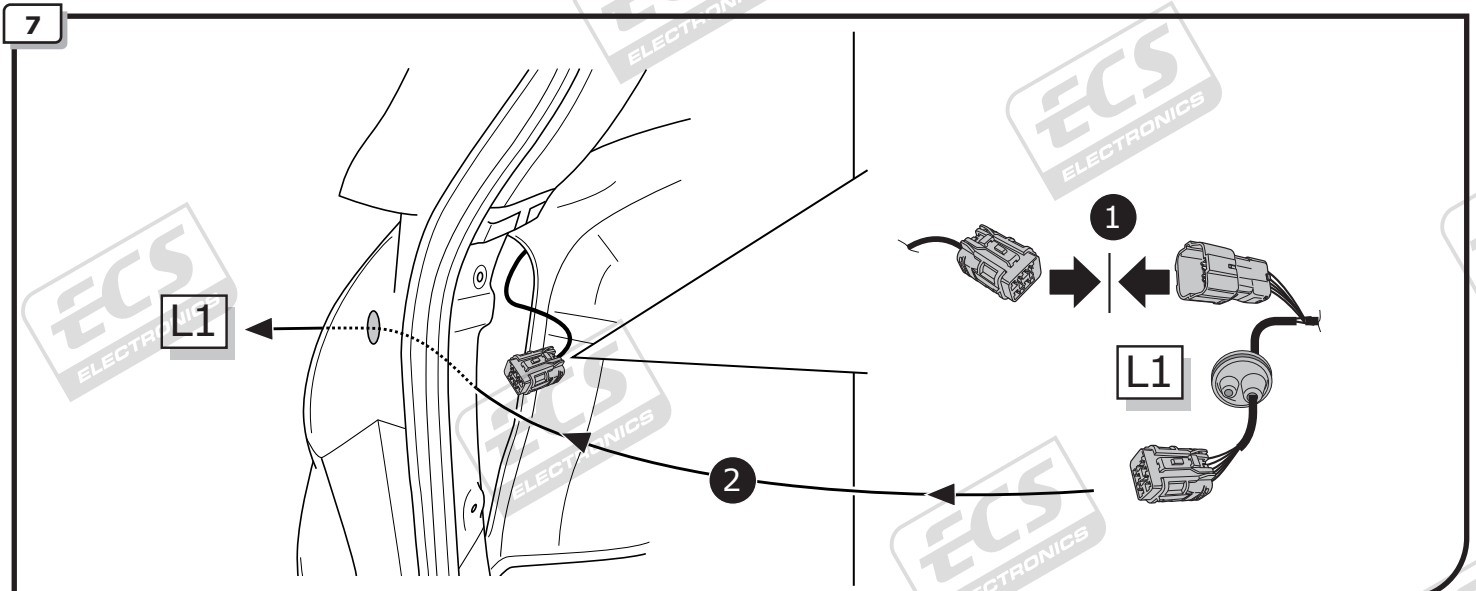
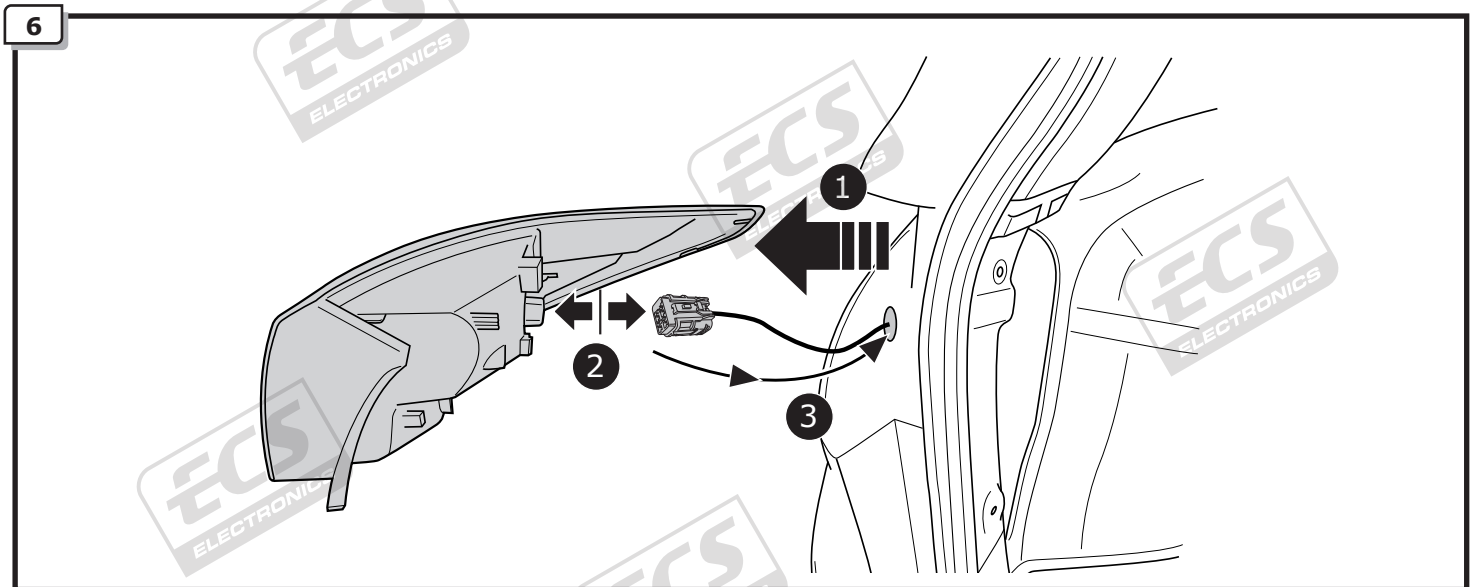
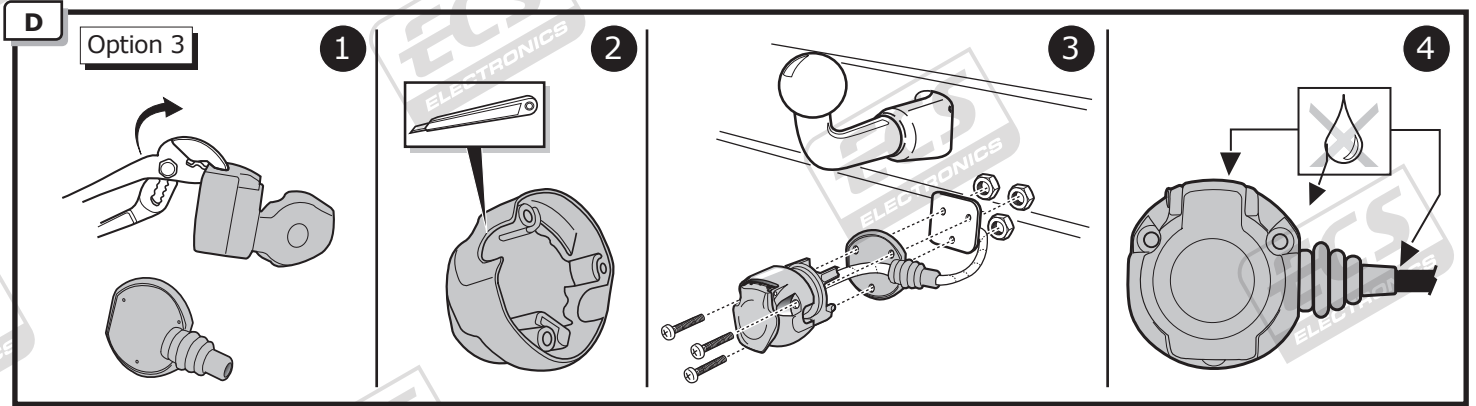
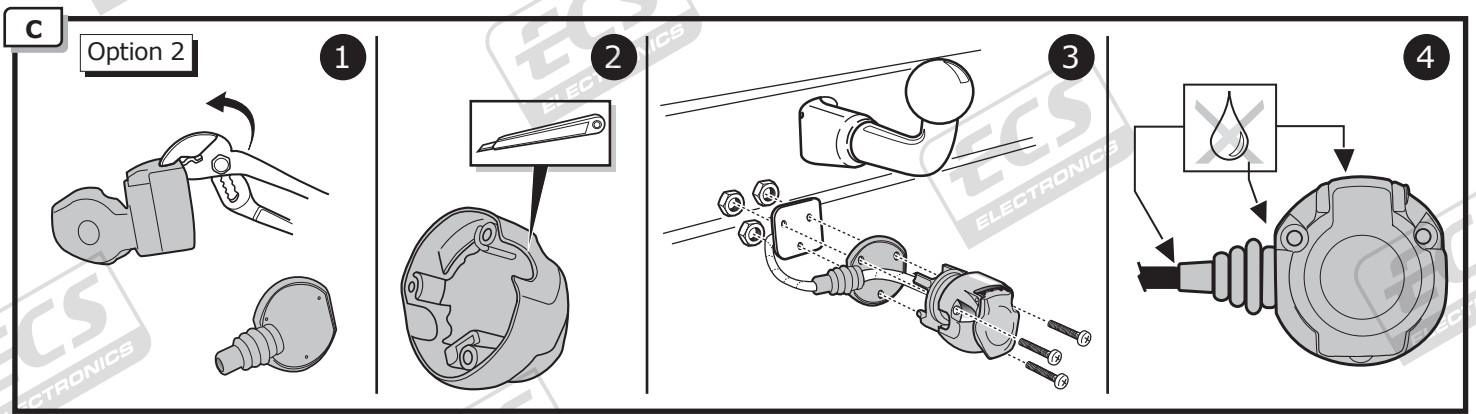


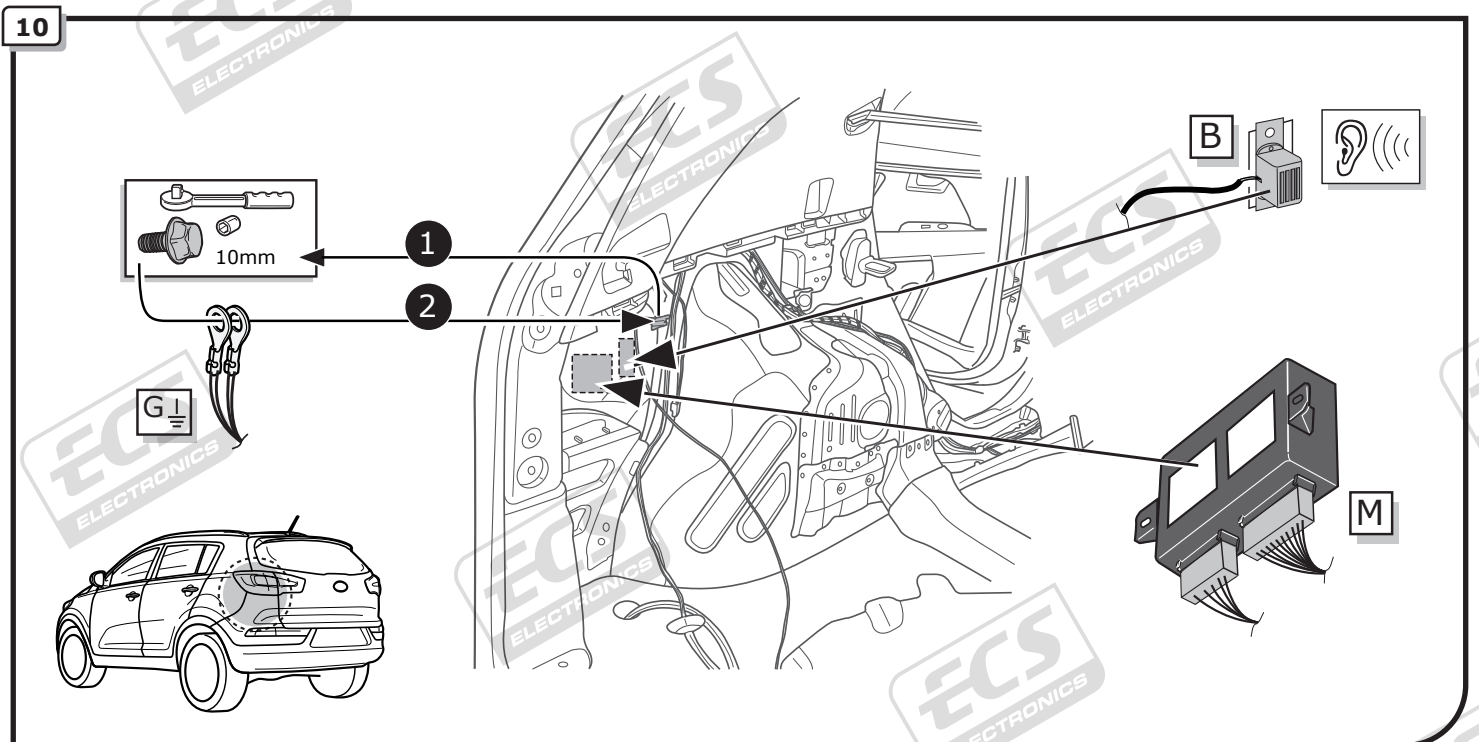
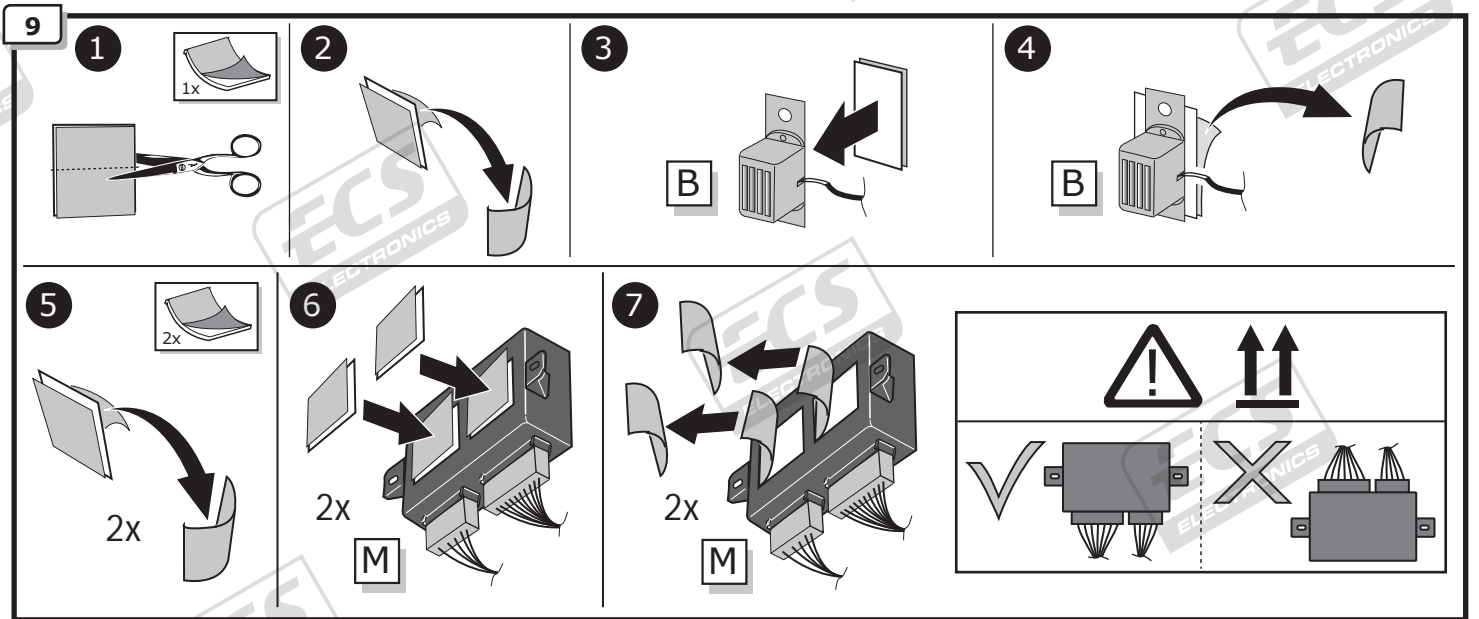
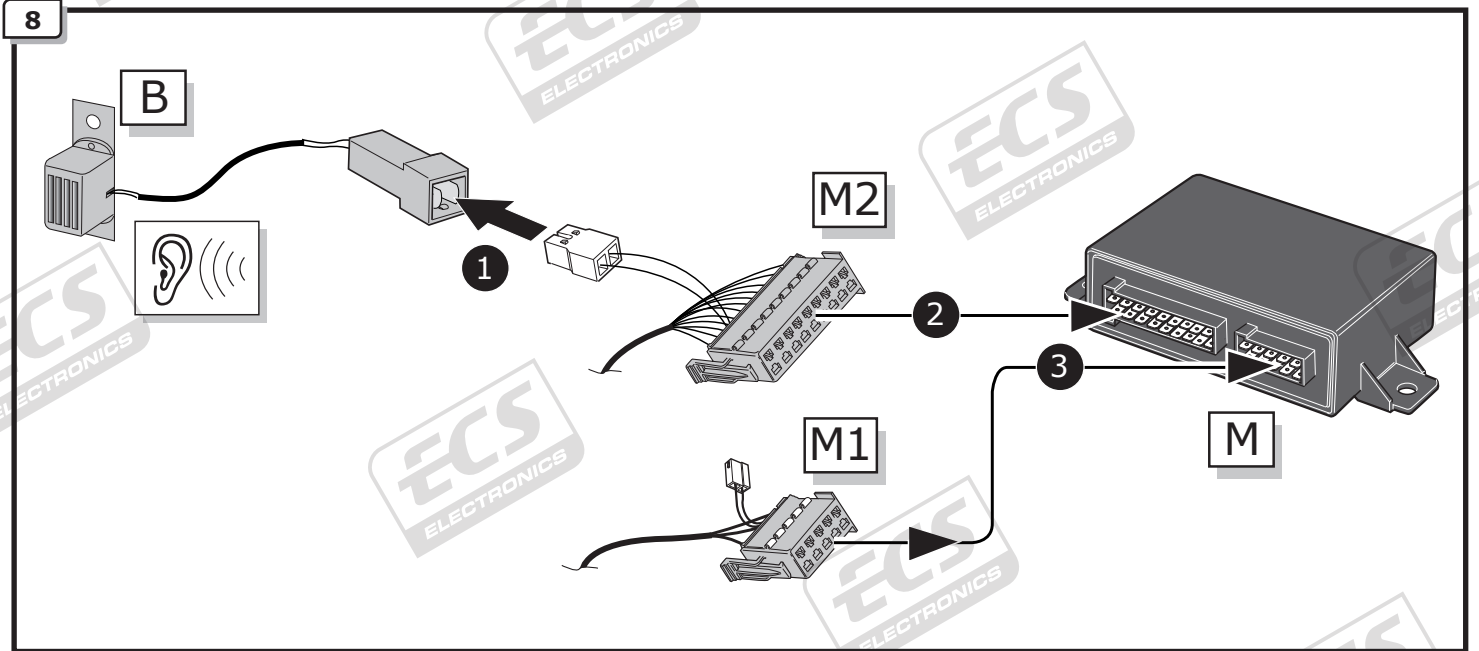
Pag. 11

8

Option 1

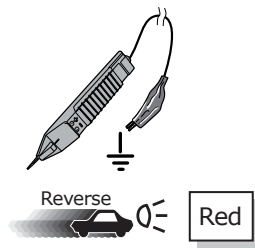




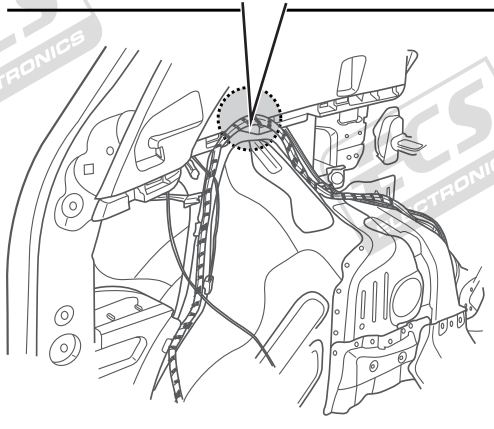
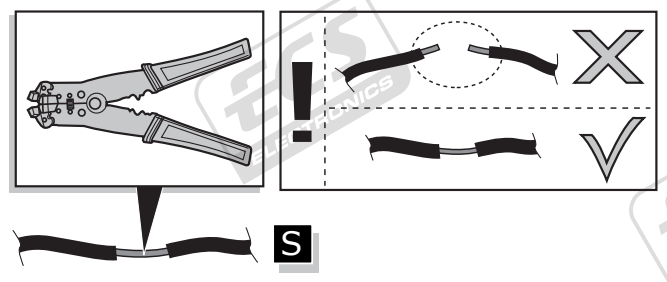


11

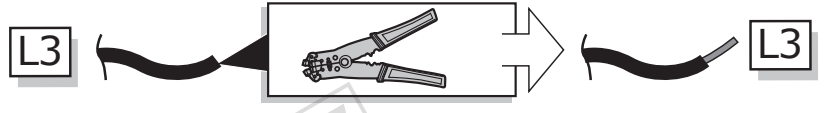
1



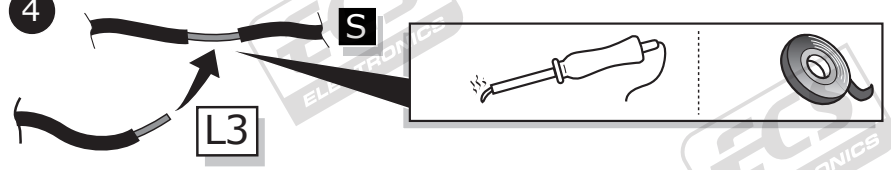
2



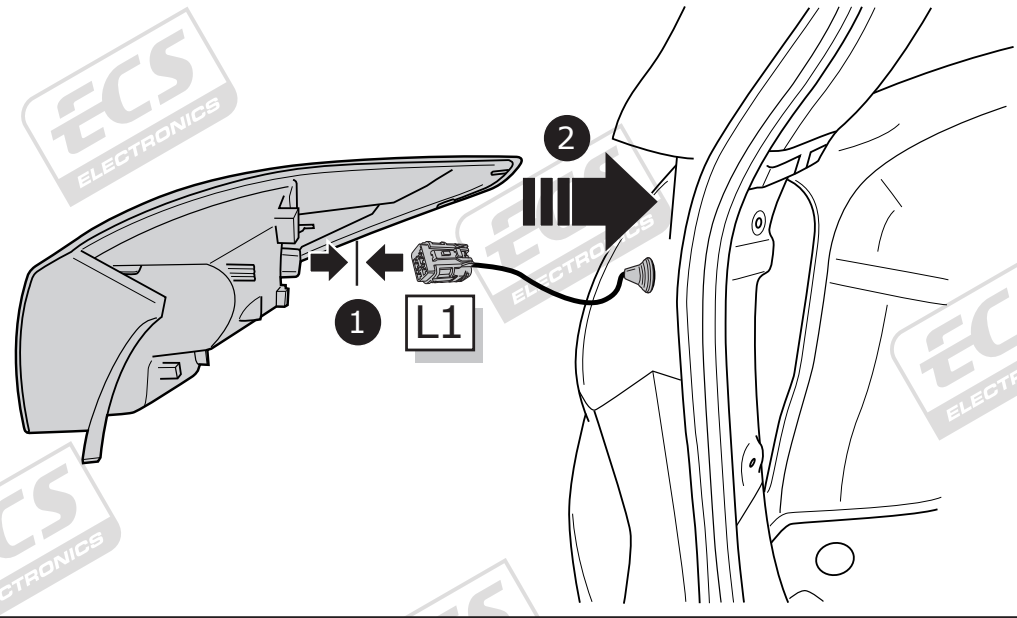
3



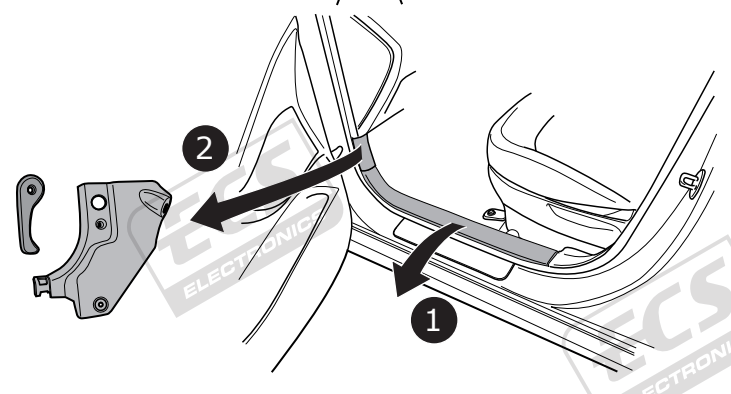
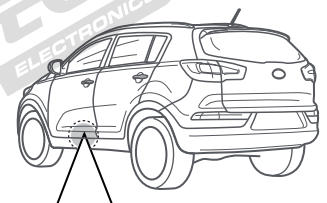
4



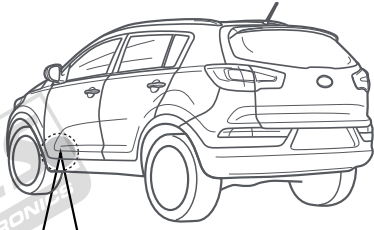
12



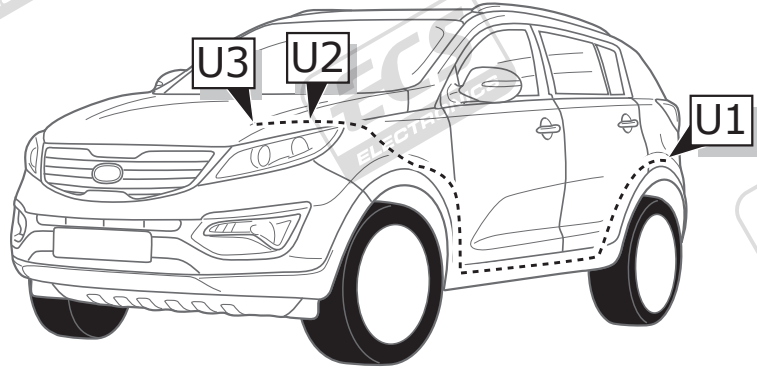
13



14

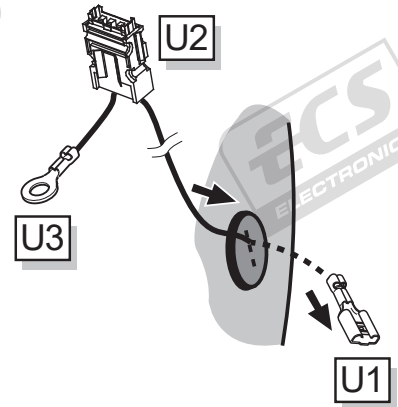
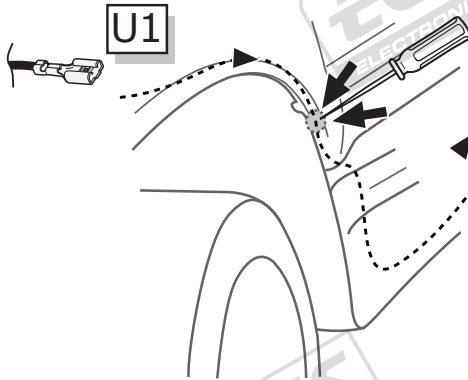
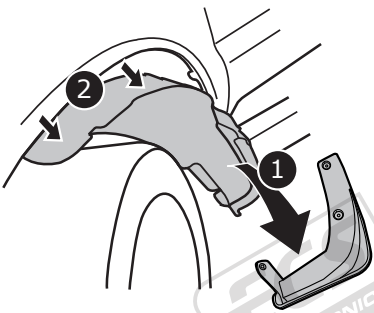


①

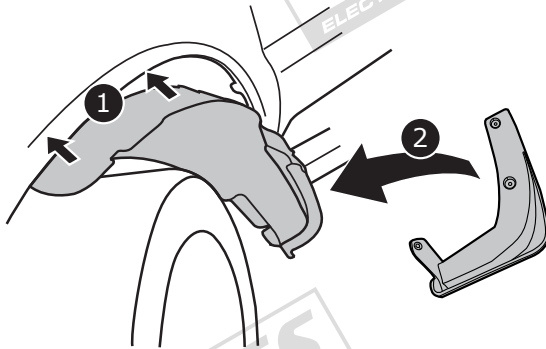


②

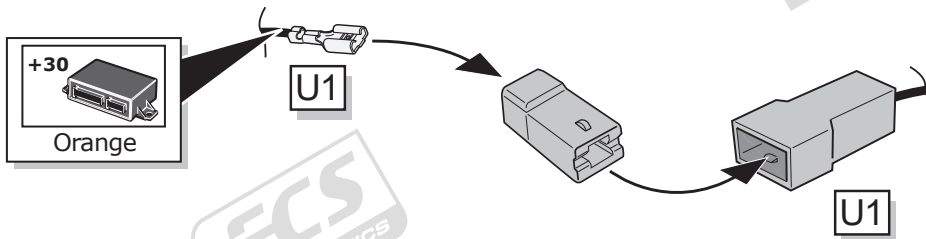
③



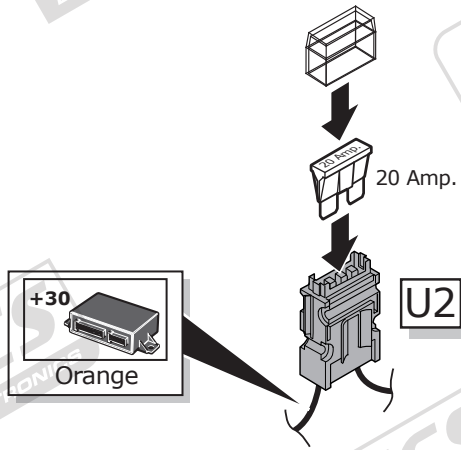
④



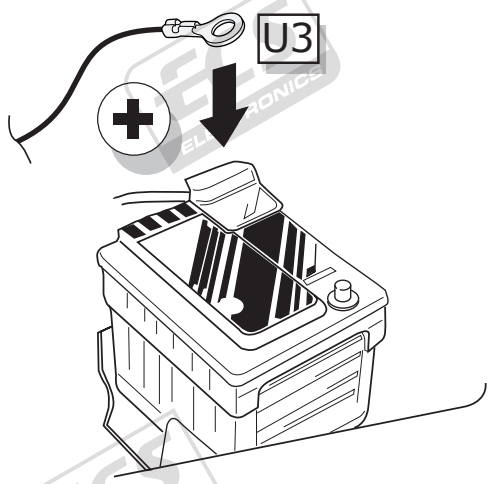
15



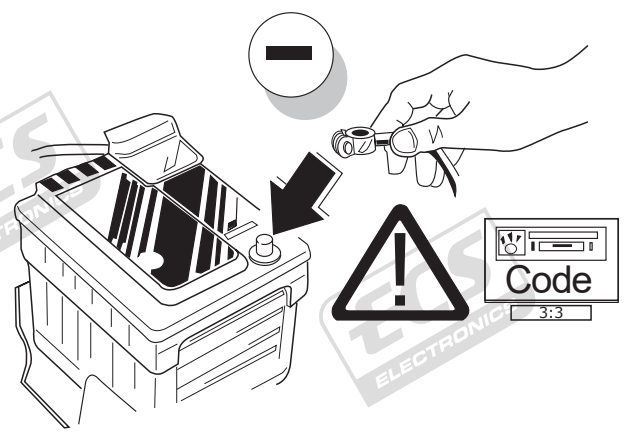
16



17



18



19

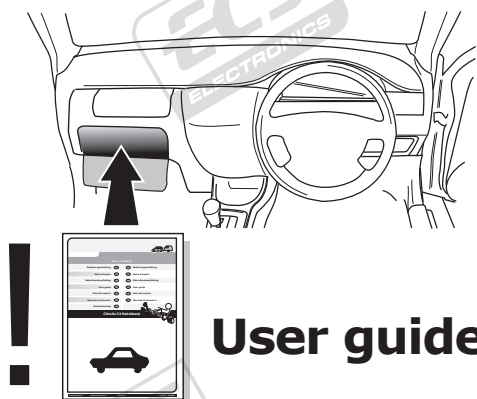


TEST ALL THE CIRCUITS WITH A TEST DEVICE WITH THE CORRECT POWER LOAD FOR EACH FUNCTION. A TEST DEVICE WITH LED'S CANNOT BE USED FOR THIS PURPOSE.

INFO

REINSTALL TRIM.

20

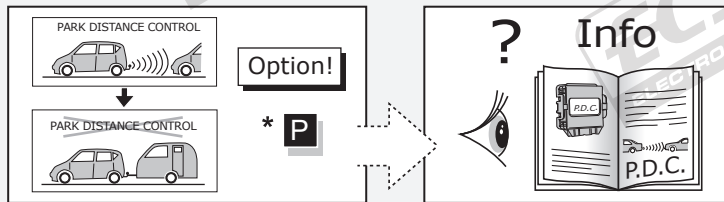


INFO

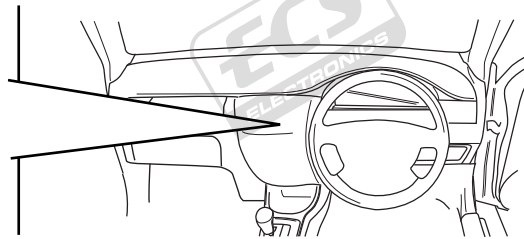
SOCKET CONNECTION

DIN/ISO 11446			\perp 1-8								\perp 10	—	\perp 9
	1/L	2	3/31	4/R	5/58-R	6/54	7/58-L	8	9	10	11	12	13
Pmax	21W	2x21W		21W	52W	3x21W	52W	2x21W	180W/15Amp	180W/15Amp			
Colour	Yellow	Blue	White	Green	Brown	Red 1,00 mm ²	Black	Black/ Red	Brown/ White	Red 2,50 mm ²	White	Red/ Blue	White

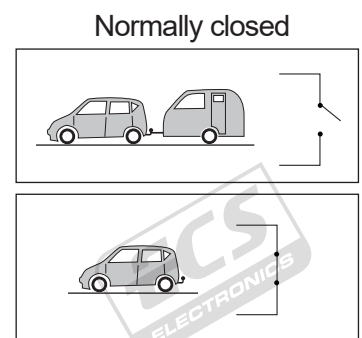
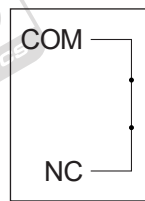
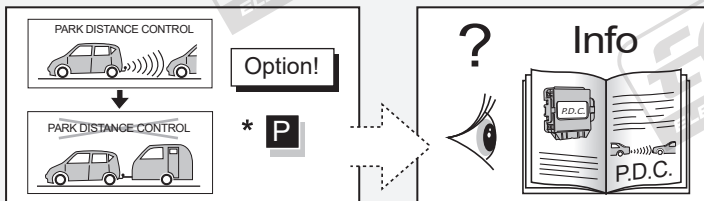
Option 1



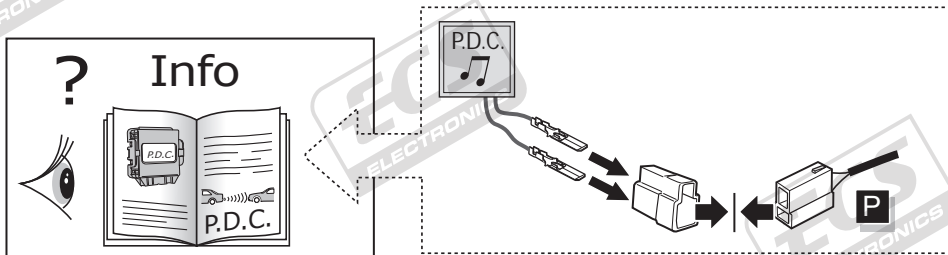
For OEM installed PDC systems



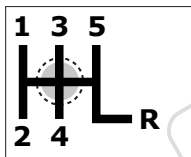
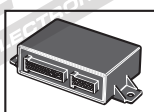
Option 2



For aftermarket installed PDC systems

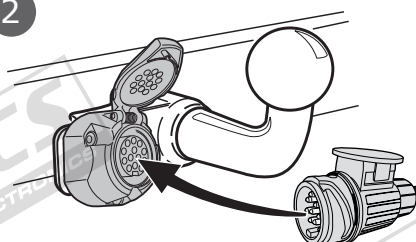


1

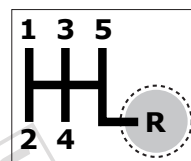


Neutral

2



3



4

TEST