

AL-KO BALL HITCHES AK 161 / AK 270

for braked trailers up to 2,700 kg



WITH 3-FOLD SAFETY FOR FLAWLESS HITCHING UP

SAFETY 1

Open position

The hand grip points diagonally upwards and indicates to the operator that it is open.



SOFT TOUCH GRIP

(AL-KO registered design)

A soft and therefore adhesive plastic mixture is used in the red area of the hand grip. In addition, the projection on the end of the hand grip serves as an anti-slip protection.



The vehicle's ball is not yet fully inserted; see red display.

SAFETY 2

Closed position

The vehicle's ball is fully inserted and has released the securing lever. (Important! Legally prescribed minimum imposed load is necessary). Only now does the hand grip take up the horizontal position and indicate to the operator that a secure connection has been created. The vehicle combination is now ready for towing.



SAFETY 3

Display for correct hitching

Additionally, in the closed position, the green safety display is pushed out by the towing vehicle's ball hitch, and is therefore visible.

Once again, it signals to the operator that the trailer is securely connected to the towing vehicle. The journey may now start.

Securing lever for flawless hitching

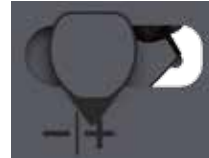
WEAR DISPLAY

Can be read in the hitched position.



Wear display for trailer

Trailer towing device on the vehicle and ball hitch on the trailer are not worn.



Wear display for trailer

Trailer towing device on the vehicle or ball hitch on the trailer is worn.



SOFTDOCK AS STANDARD

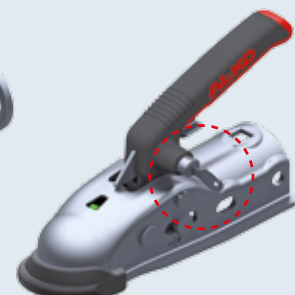
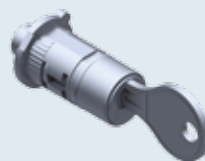
- ! Protection against scratching
- ! Shin protection



Improved design with steel insert for secure hold on the ball hitch.

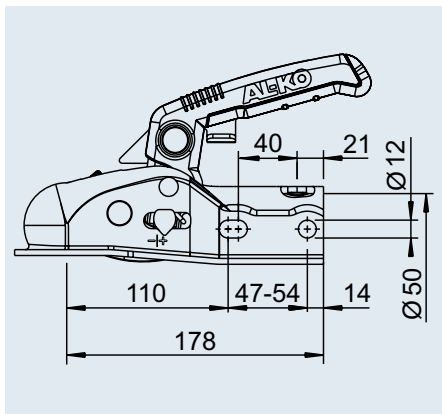
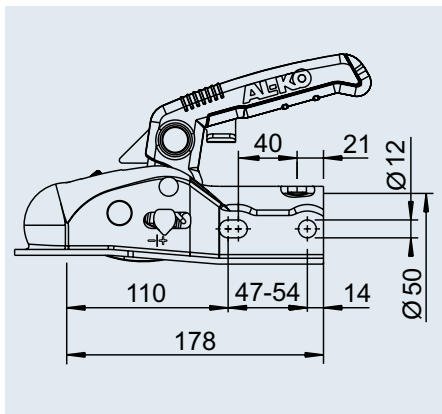
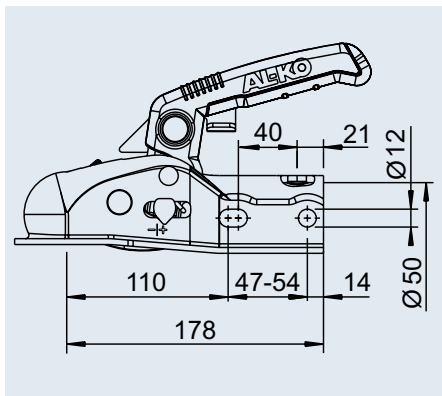
OPTIONAL ACCESSORY PUSH LOCK

Effective protection against rapid unauthorised access in the coupled and uncoupled state.



BALL HITCHES AK 161 / AK 270

for braked trailers up to 2,700 kg



Ordering overview

Ball hitch AK 161 with Soft-Dock	
Order no.	1 730 219
Barcode no.	4003718049756
Permitted total weight	1,600 kg
Imposed load	120 kg
Holes	horizontal + cross
Material	Steel
ECE type approval	E1 55R-01 2671
Tightening torque	86 Nm
	1.6 kg - 400 units




Ball hitch AK 161 with Soft-Dock, spacers Ø 35 / Ø 45	
Order no.	1 730 218
Barcode no.	4003718049749
Permitted total weight	1,600 kg
Imposed load	120 kg
Holes	horizontal + cross
Material	Steel
ECE type approval	E1 55R-01 2671
Tightening torque	86 Nm
	1.7 kg - 144 units

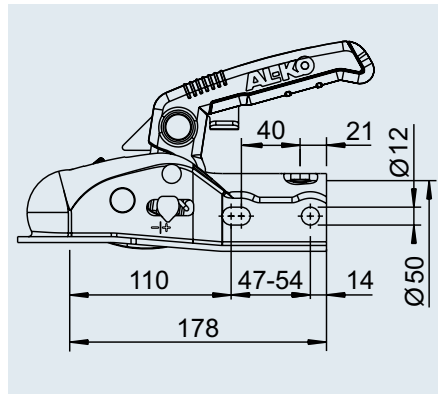
Safety kit for ball hitch AK 161 with Soft-Dock, spacers Ø 35/45, push lock	
Order no.	1 730 220
Barcode no.	4003718049763
Permitted total weight	1,600 kg
Imposed load	120 kg
Holes	horizontal + cross
Material	Steel
ECE type approval	E1 55R-01 2671
Tightening torque	86 Nm
	1.9 kg - 144 units




Soft-Dock suitable for ball hitch AK 161 / AK 270	
Order no.	693 394
Barcode no.	4003718051698
	0.043 kg
	- -

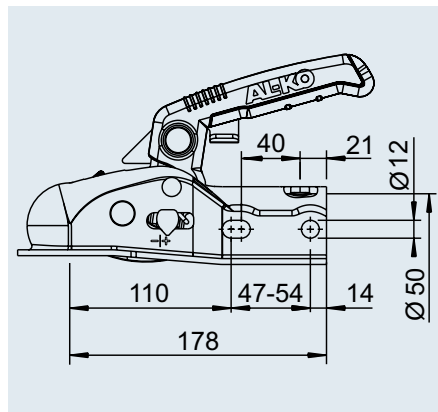





Ordering overview

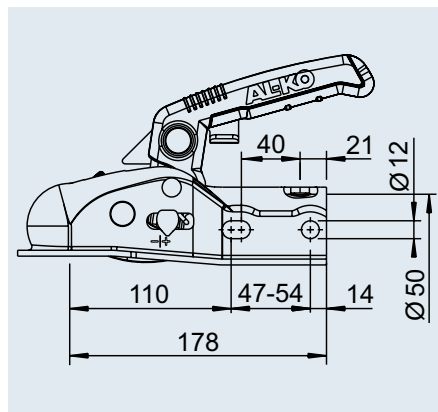
Ball hitch AK 270 with Soft-Dock	
Order no.	1 730 082
Barcode no.	4003718049770
Permitted total weight	2,700 kg
Imposed load	120 kg
Holes	horizontal + cross
Material	Steel
ECE type approval	E1 55R-01 2669
Tightening torque	86 Nm
  	1.7 kg - 400 units






Ball hitch AK 270 with Soft-Dock, spacers Ø 35 / Ø 40 / Ø 45	
Order no.	1 730 083
Barcode no.	4003718049787
Permitted total weight	2,700 kg
Imposed load	120 kg
Holes	horizontal + cross
Material	Steel
ECE type approval	E1 55R-01 2669
Tightening torque	86 Nm
  	1.9 kg - 144 units



Safety kit for ball hitch AK 270 with Soft-Dock, spacers Ø 35/40/45, push lock	
Order no.	1 730 084
Barcode no.	4003718049794
Permitted total weight	2,700 kg
Imposed load	120 kg
Holes	horizontal + cross
Material	Steel
ECE type approval	E1 55R-01 2669
Tightening torque	86 Nm
  	2.1 kg - 144 units



Lock cylinder with safety ball suitable for ball hitch AK 161 / AK 270	
Order no.	1 730 411
Barcode no.	4003718051704
	0.15 kg
 	-

