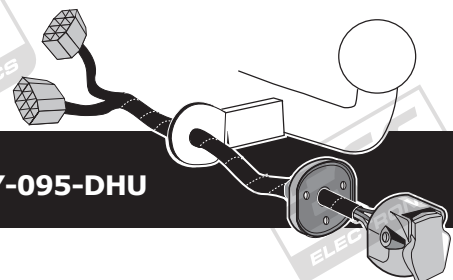


With prepared trailer connector

**Hyundai Santa Fe 12/2012- & 10/2015-
Hyundai Grand Santa Fe 2013-**

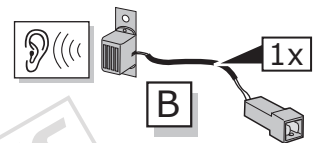
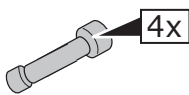
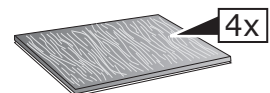
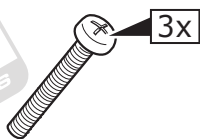
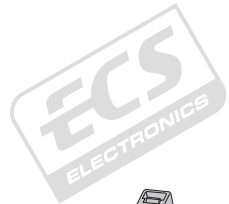
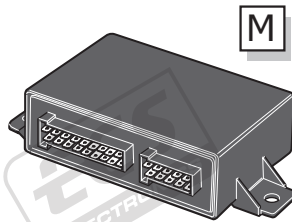
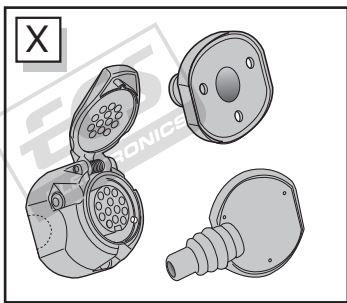
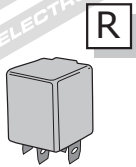
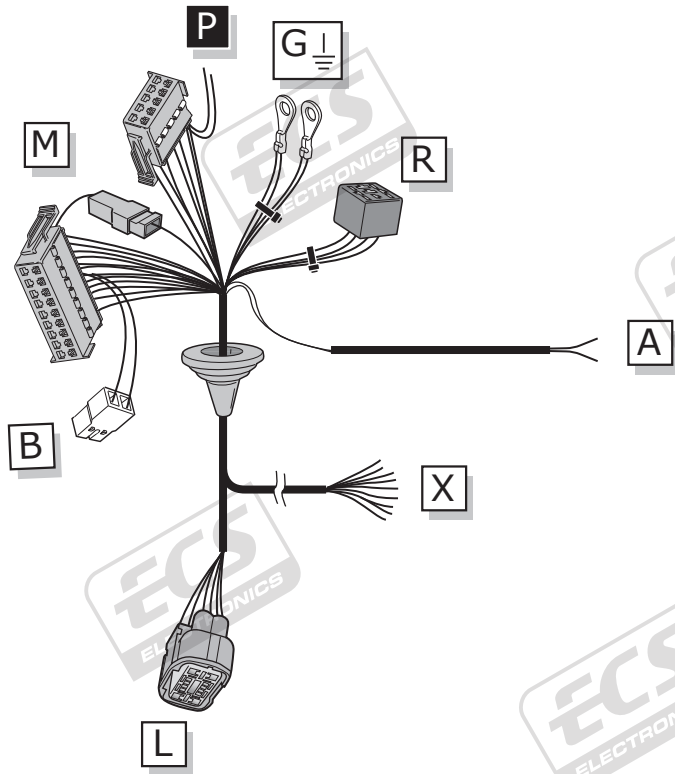
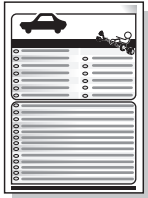
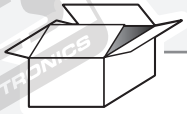
Partnr.: HY-095-DHU



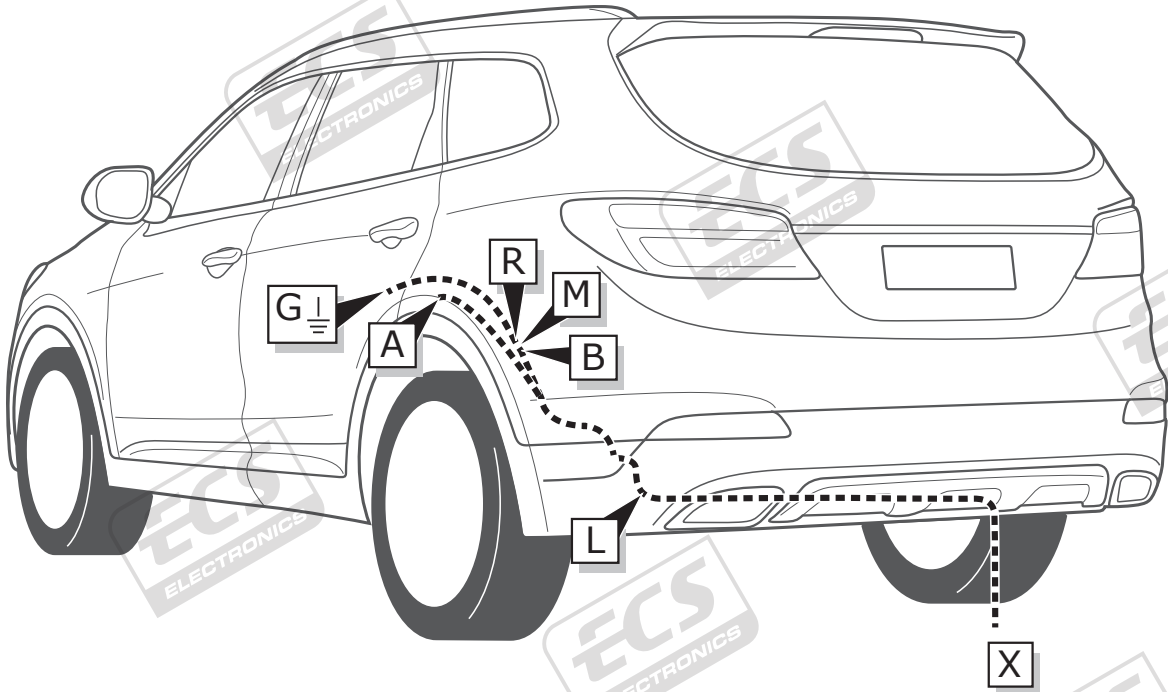
- Fitting instructions electric wiring kit tow bar with 13-P socket up to DIN/ISO Norm 11446.
- We would expressly point out that assembly not carried out properly by a competent installer will result in cancellation of any right to damage compensation, in particular those arising by virtue of the product liability act.
- Contents of these kits and their fitting manuals are subject to alteration without notice, please ensure that these instructions are read and fully understood before commencing installation.
- Do not overload circuits; the maximum loads per connection are detailed in this manual.
- Attention! Before Installation, please read this manual carefully and inform your customer to consult the vehicle owners manual to check for any vehicle modifications required before towing.
- In the event of functional problems, troubleshooting must be limited to about 0.5 hours, contact the technical support:
t.skinner@ecs-electronics.com / 07440 202 052.



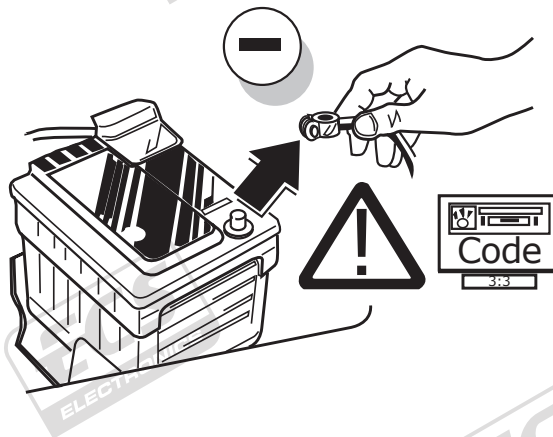
Part list



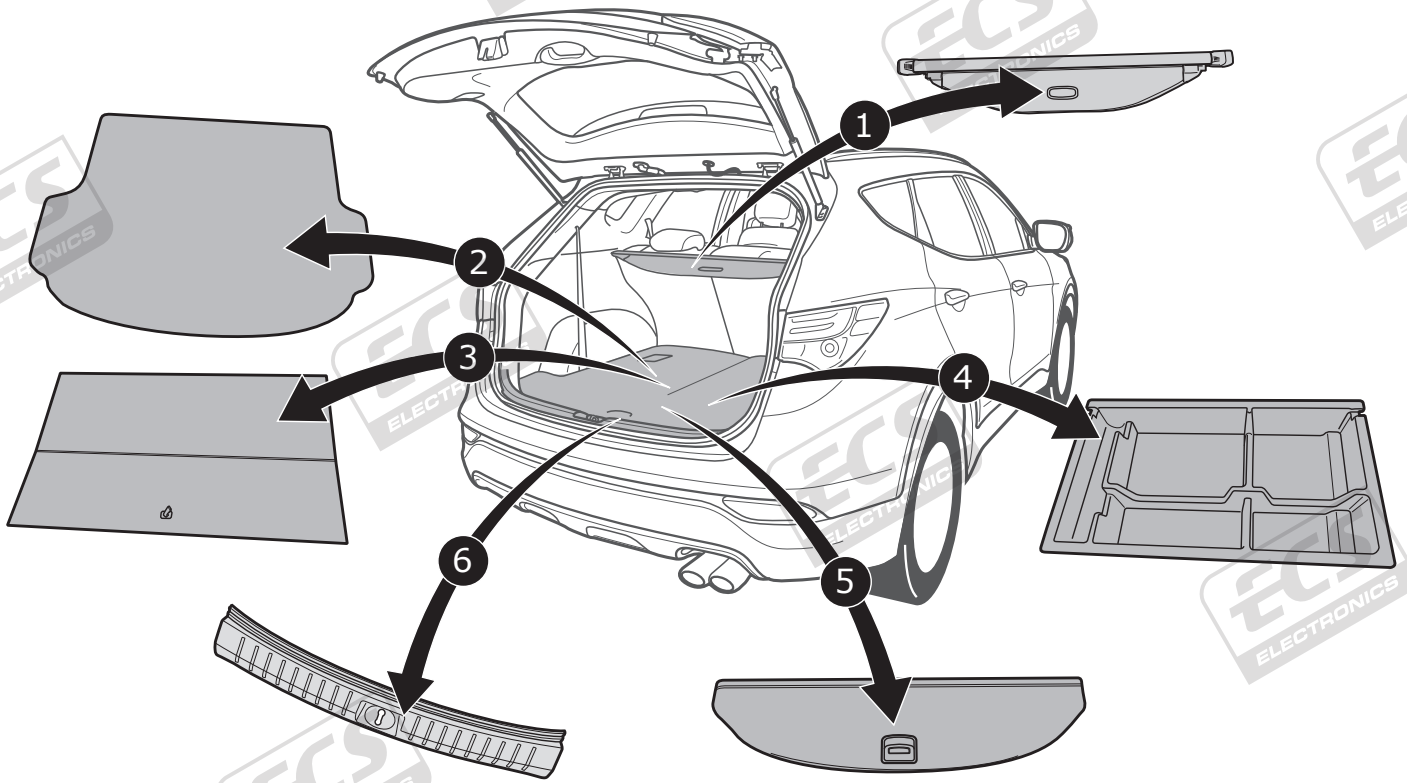
ROUTING



1

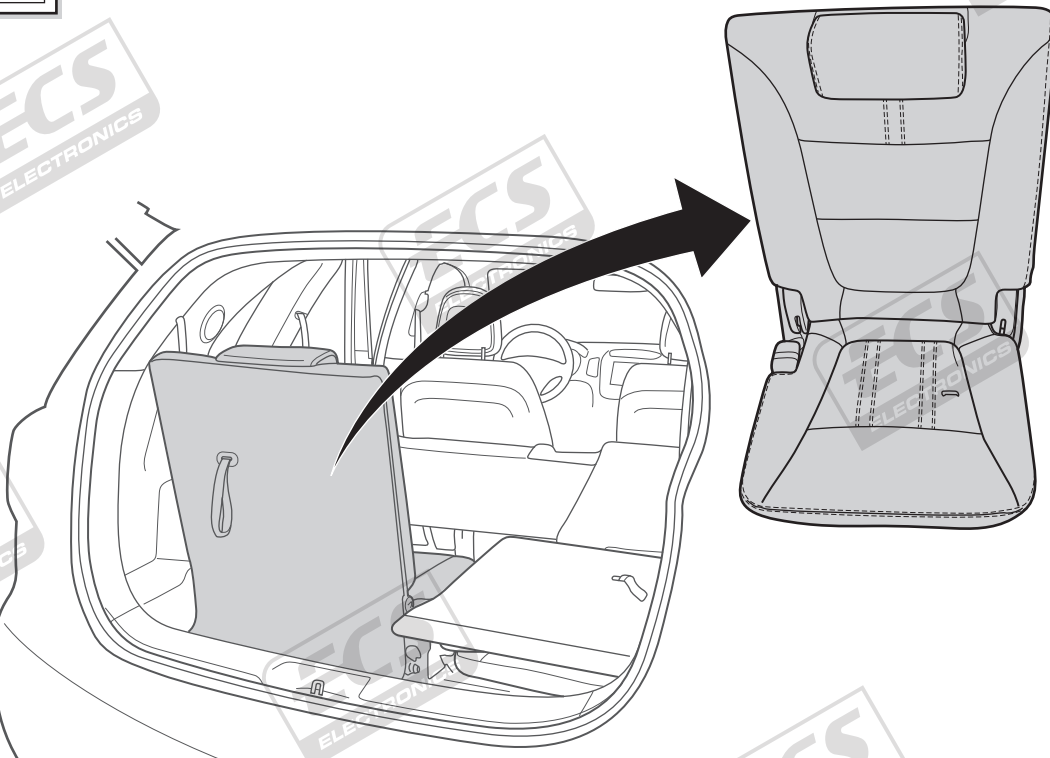


2



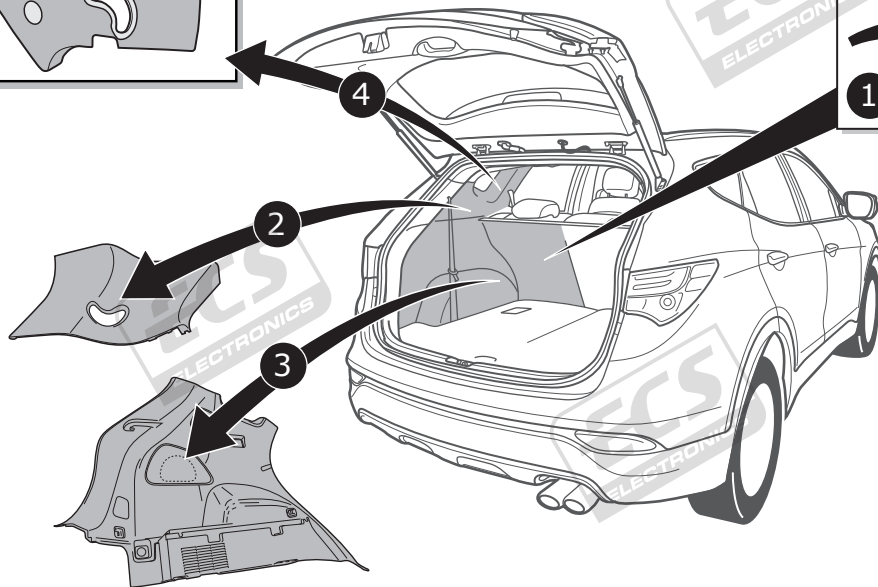
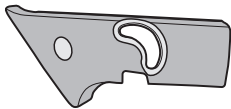
3

7 Seats



4

OPTION
GRAND Santa FE



2

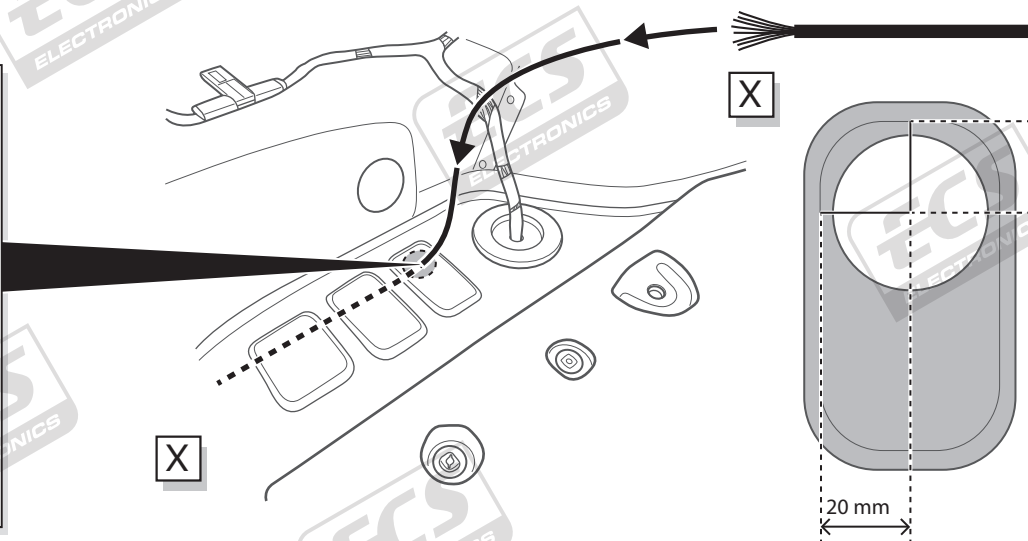
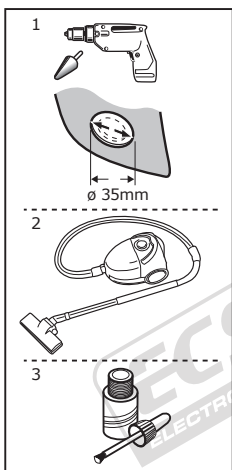
3

4

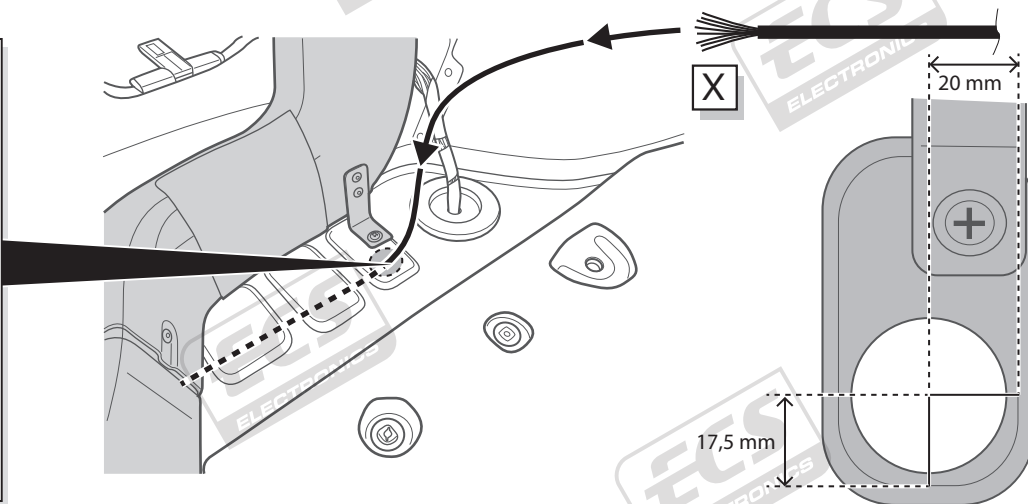
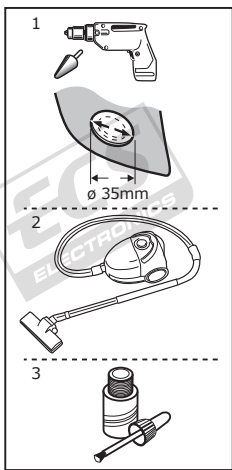
5

Santa Fe

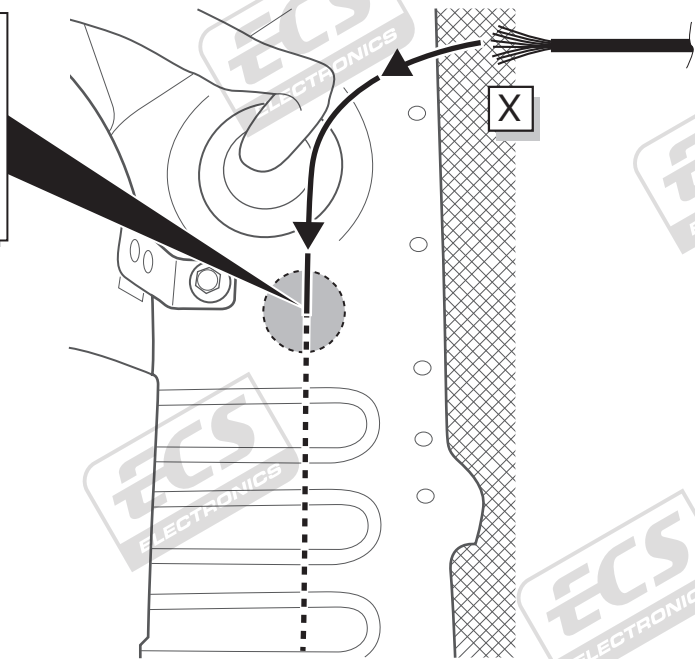
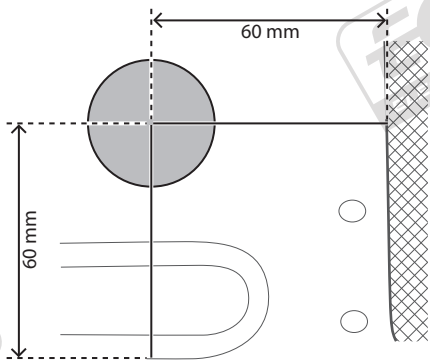
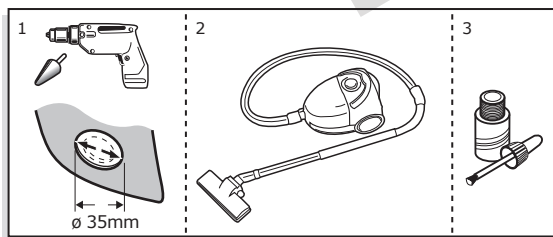
Option 1



Option 2

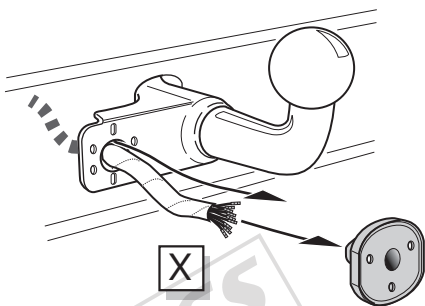


Grand Santa Fe

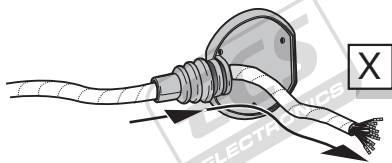


A

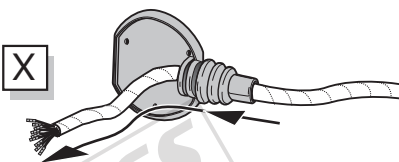
Option 1



Option 2



Option 3



INFO

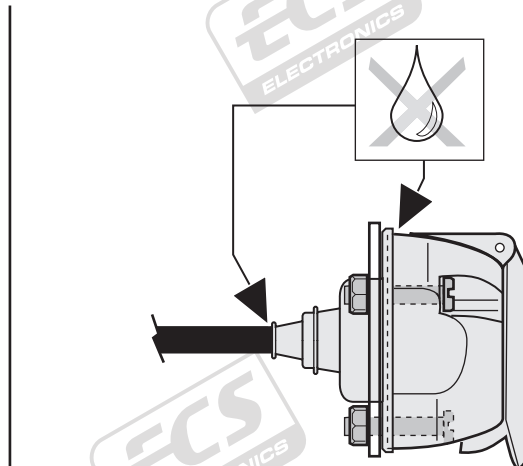
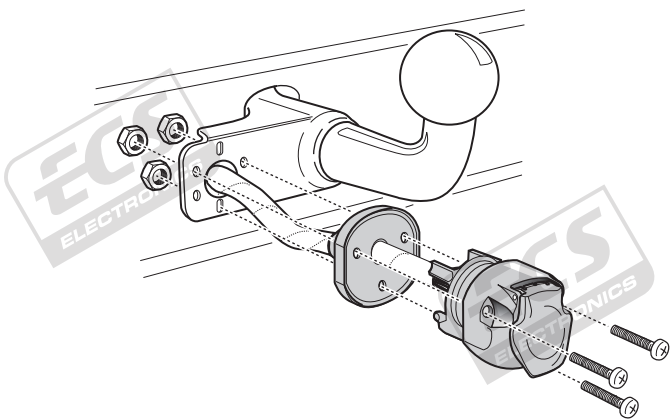
SOCKET CONNECTION

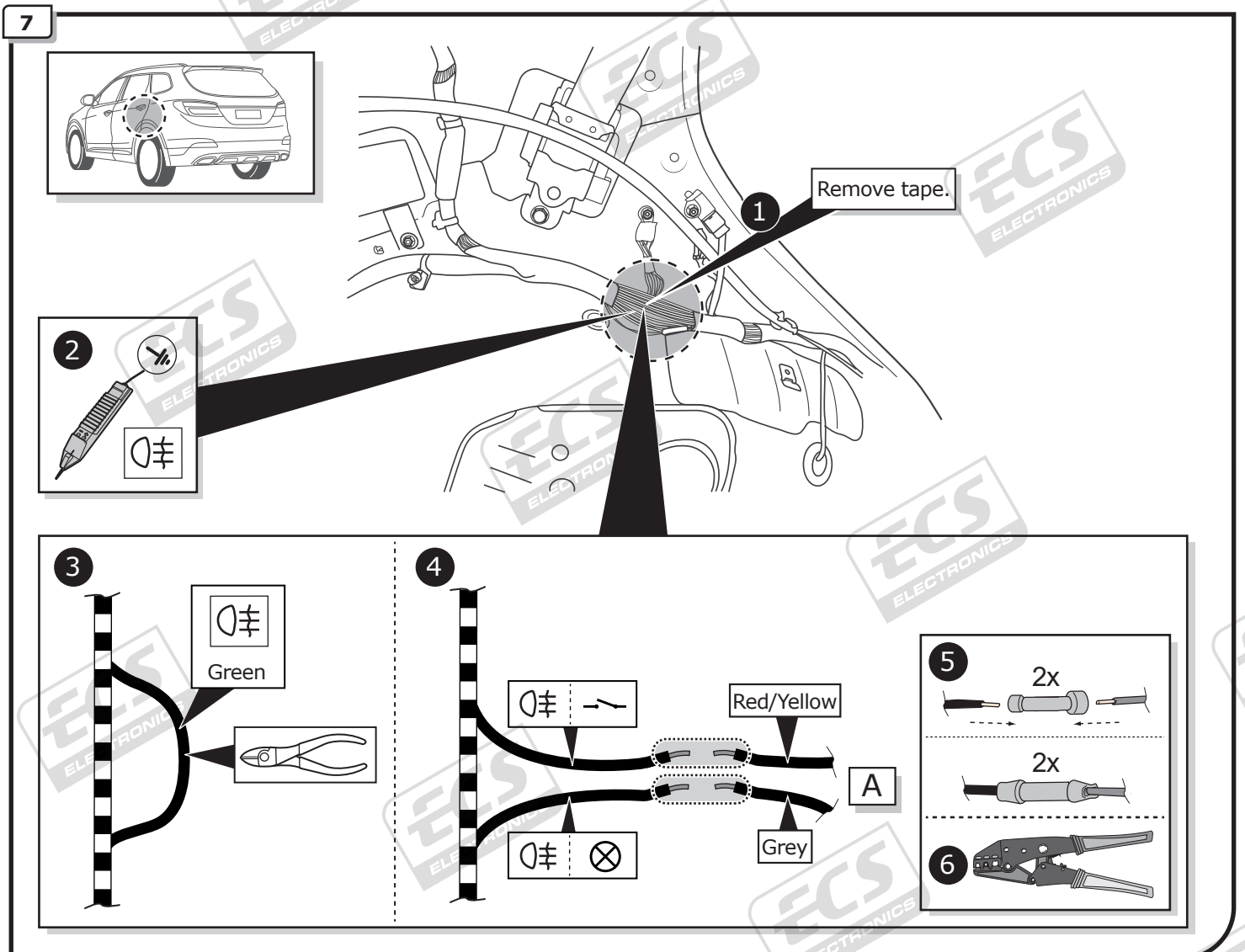
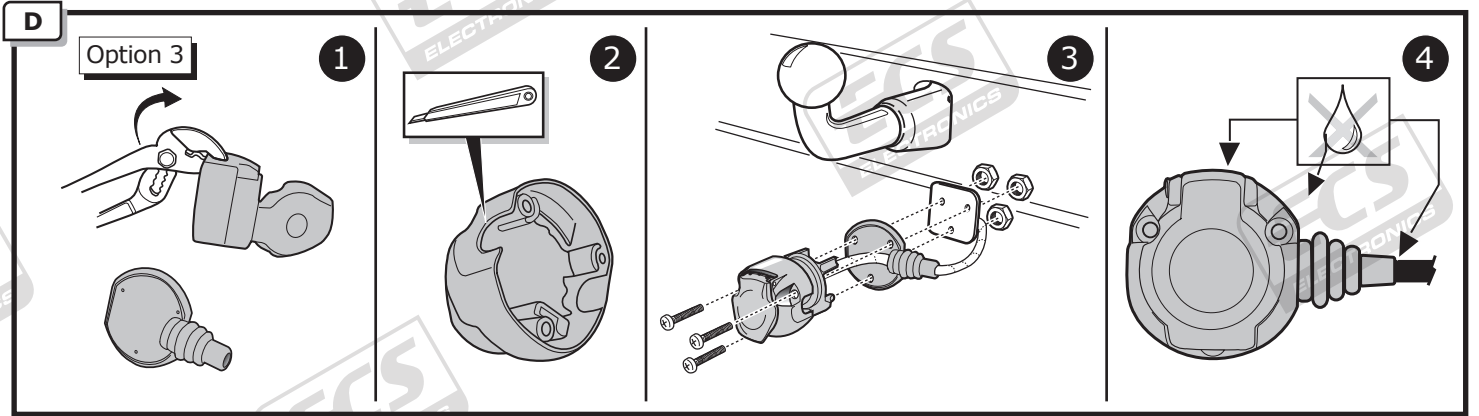
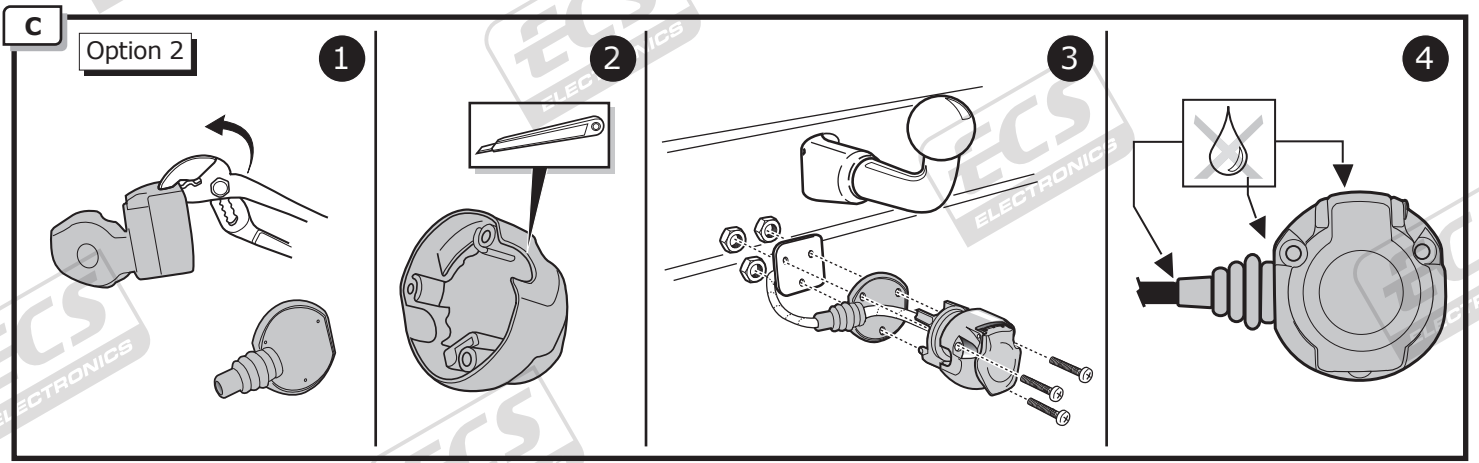


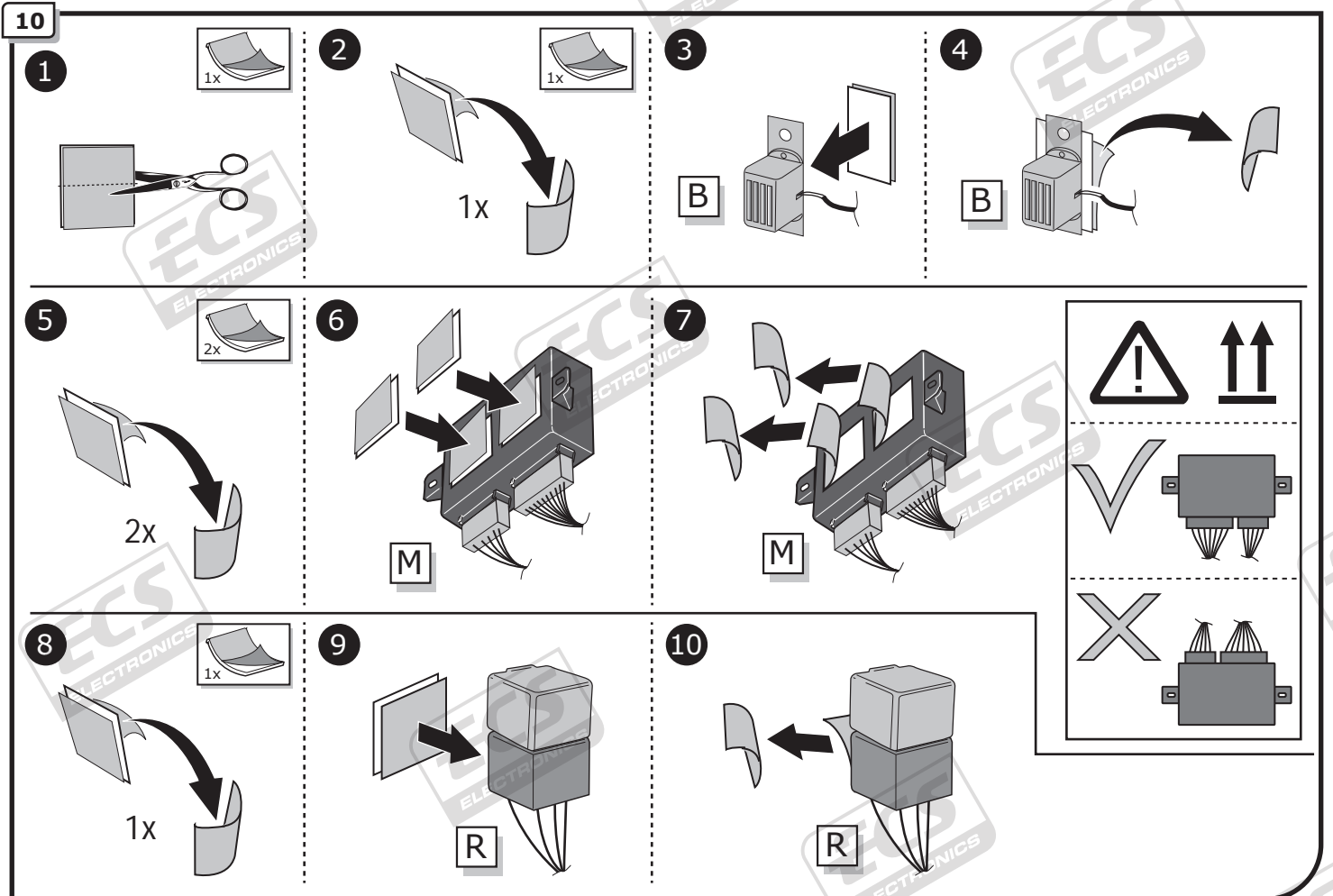
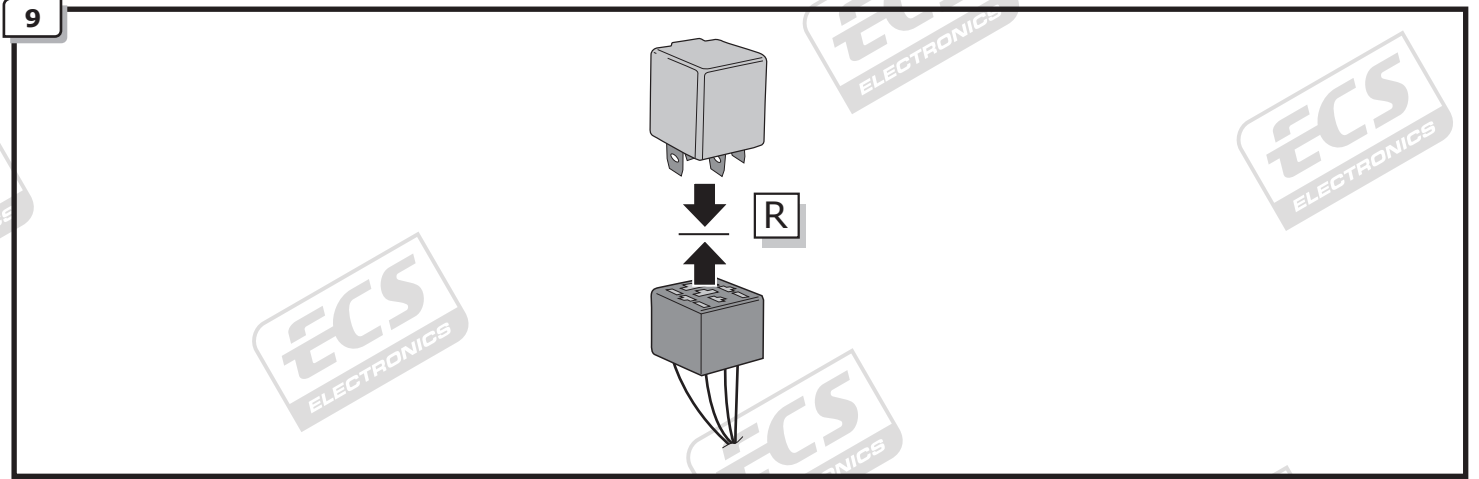
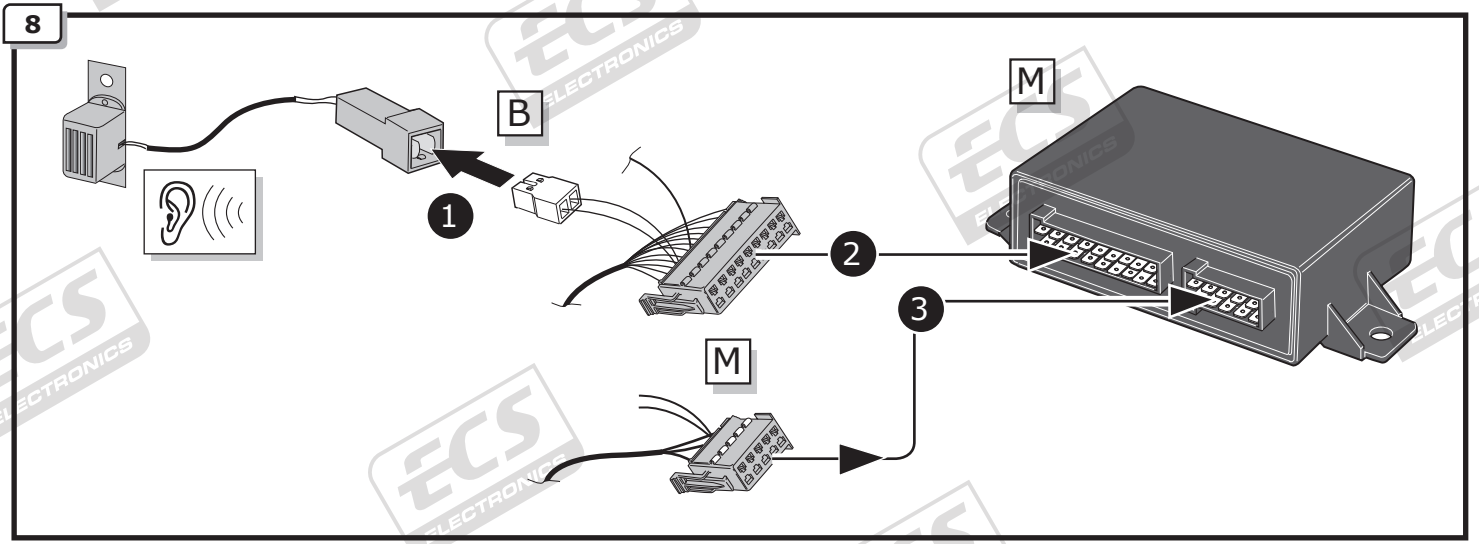
Pag. 11

B

Option 1

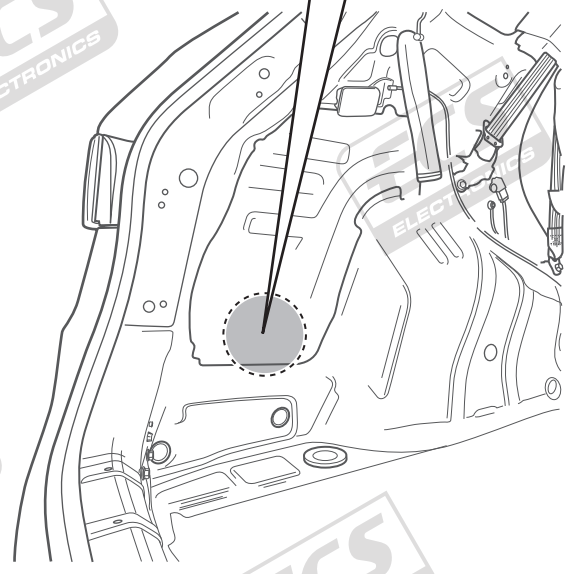
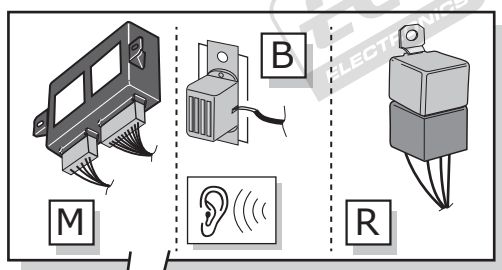




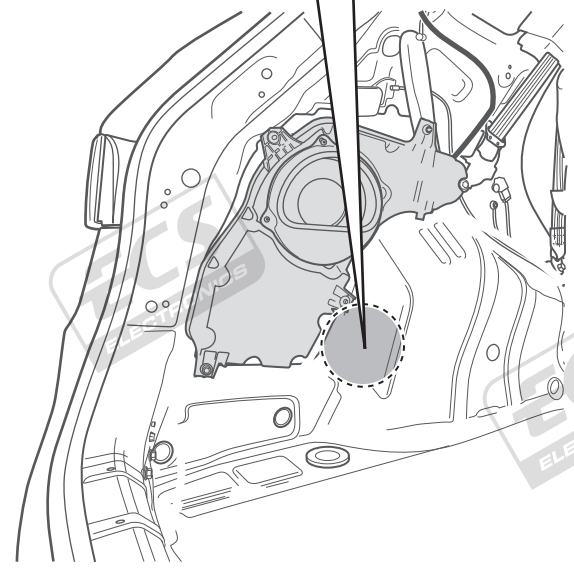
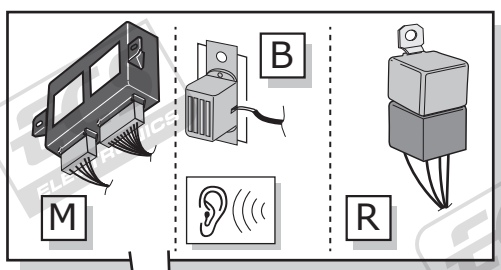


11

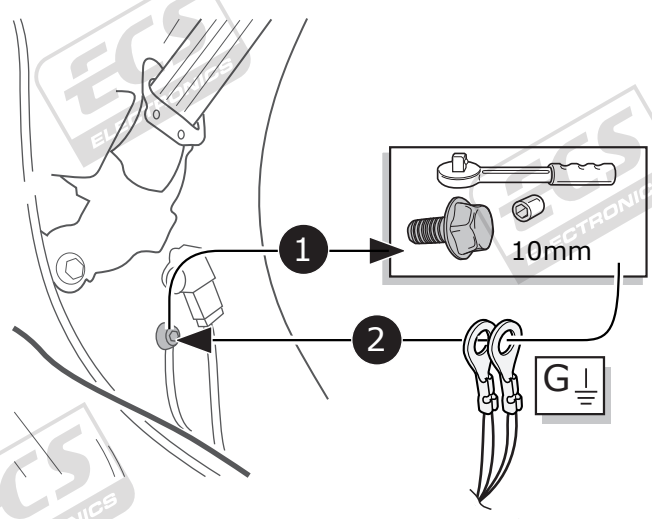
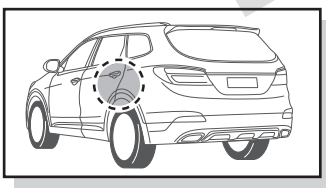
Option 1



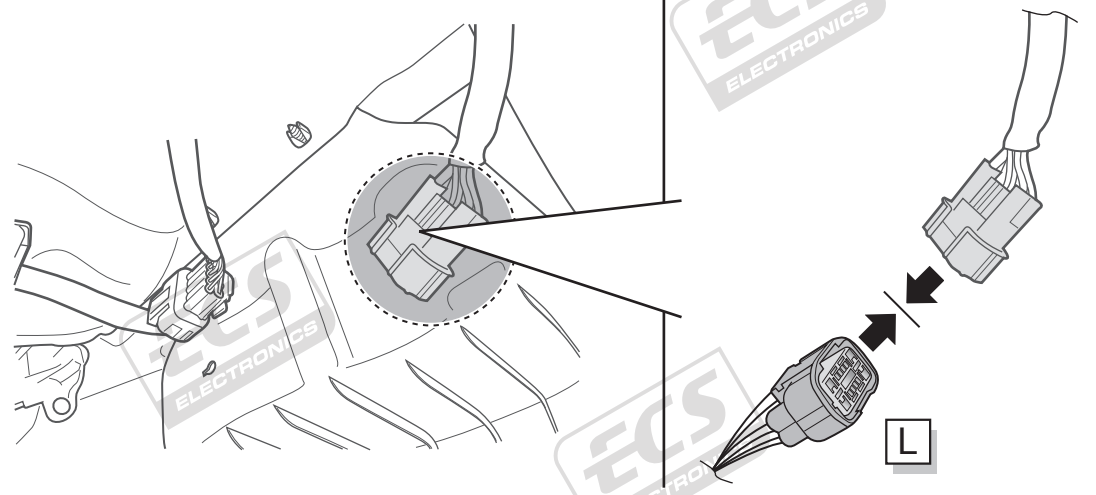
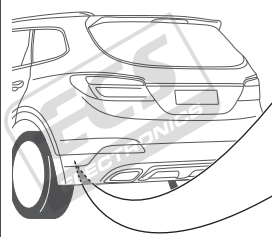
Option 2

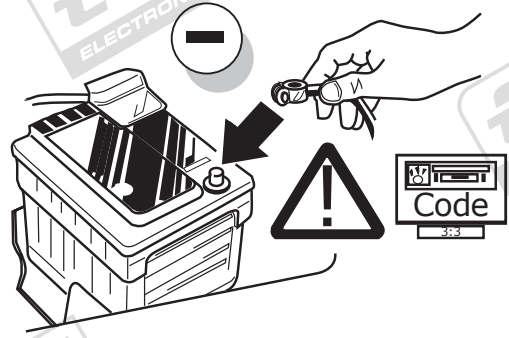


12

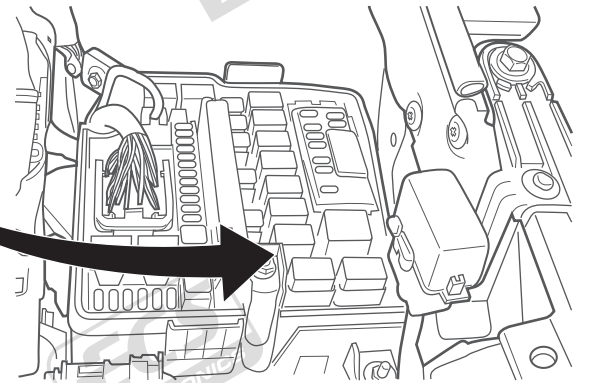
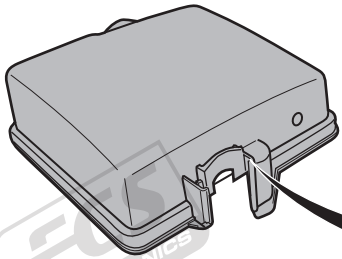
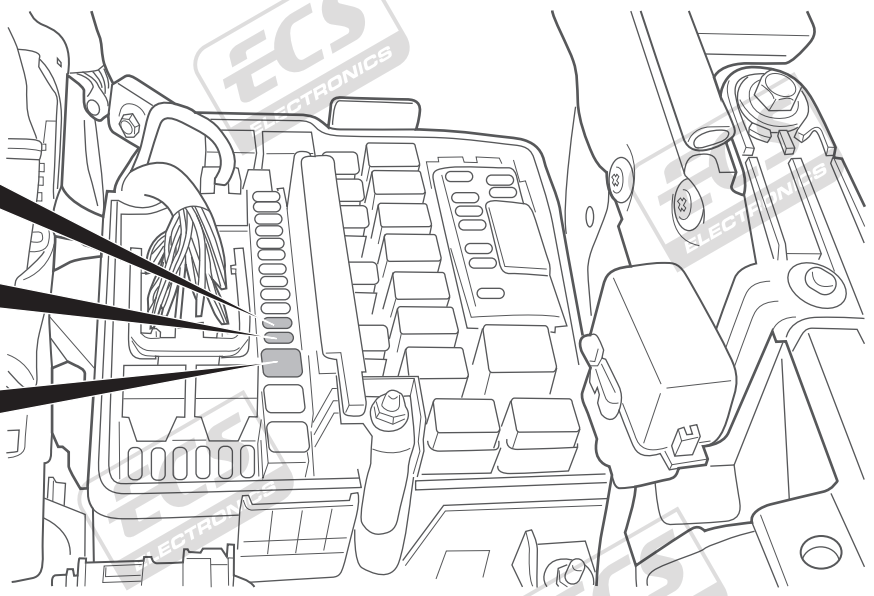
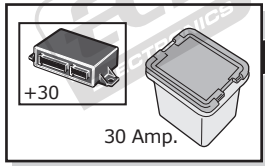
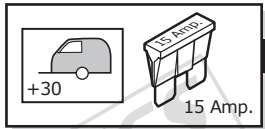
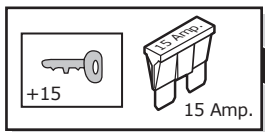
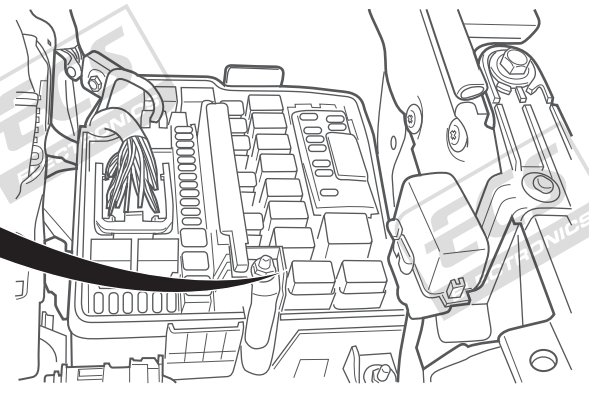
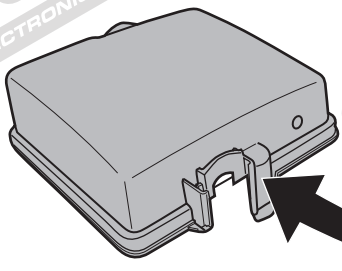
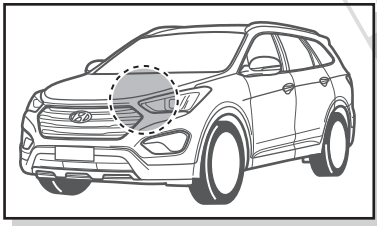


13





INFO



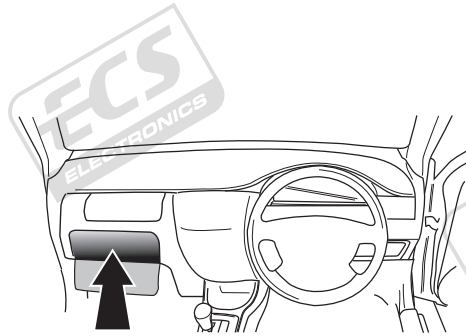
15

! TEST ALL THE CIRCUITS WITH A TEST DEVICE WITH THE CORRECT POWER LOAD FOR EACH FUNCTION. A TEST DEVICE WITH LED'S CANNOT BE USED FOR THIS PURPOSE.

INFO

REINSTALL TRIM.

16



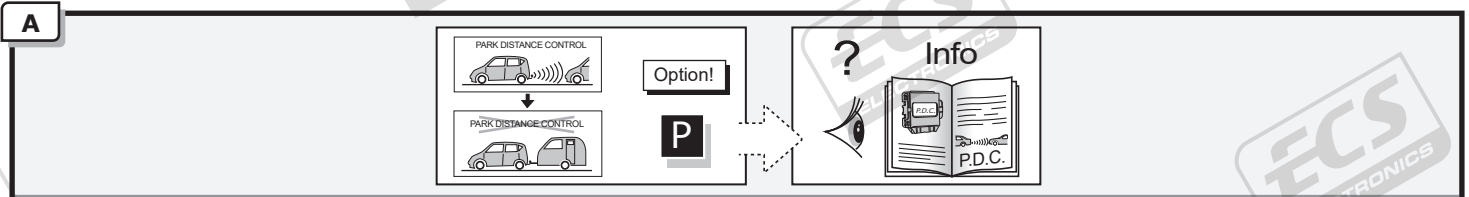
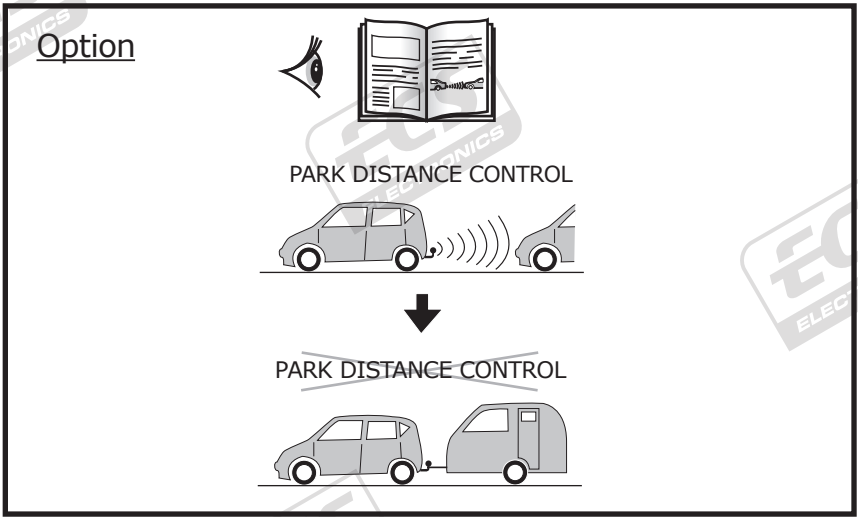
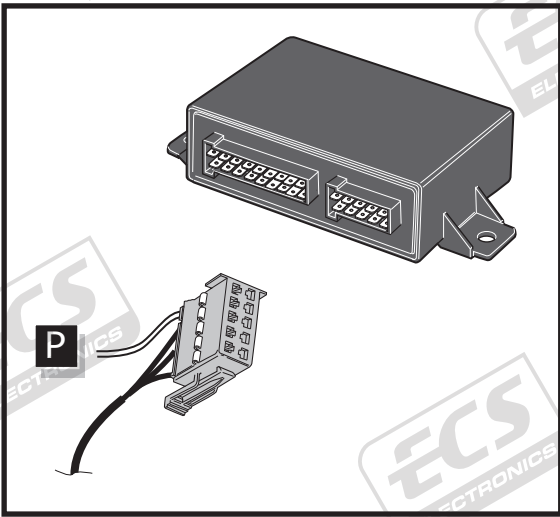
User guide



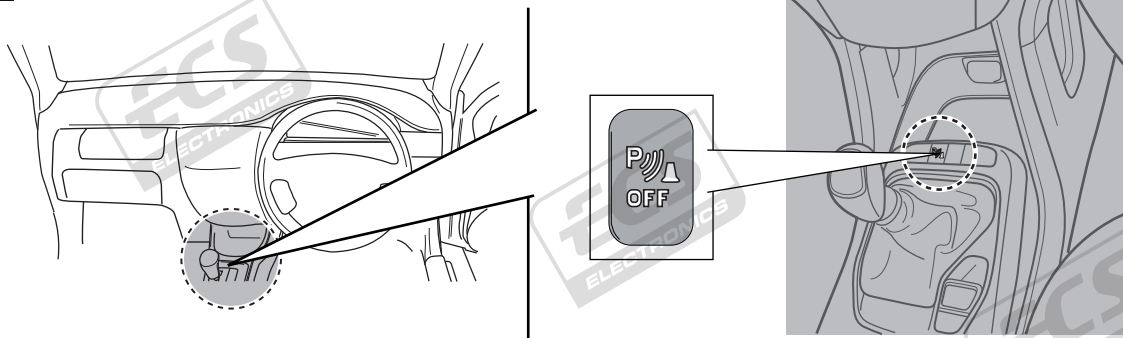
INFO

SOCKET CONNECTION

DIN/ISO 11446													
1/L	2	3/31	4/R	5/58-R	6/54	7/58-L	8	9	10	11	12	13	
Pmax	21W	2x21W	21W	52W	3x21W	52W	2x21W	180W/15Amp	180W/15Amp				
Colour	Yellow	Blue	White	Green	Brown	Red	Black	Black/Red	Brown/White	Red	White	-	White
					1,00 mm ²					2,50 mm ²			



Option 1 For OEM installed PDC systems



Option 2

