

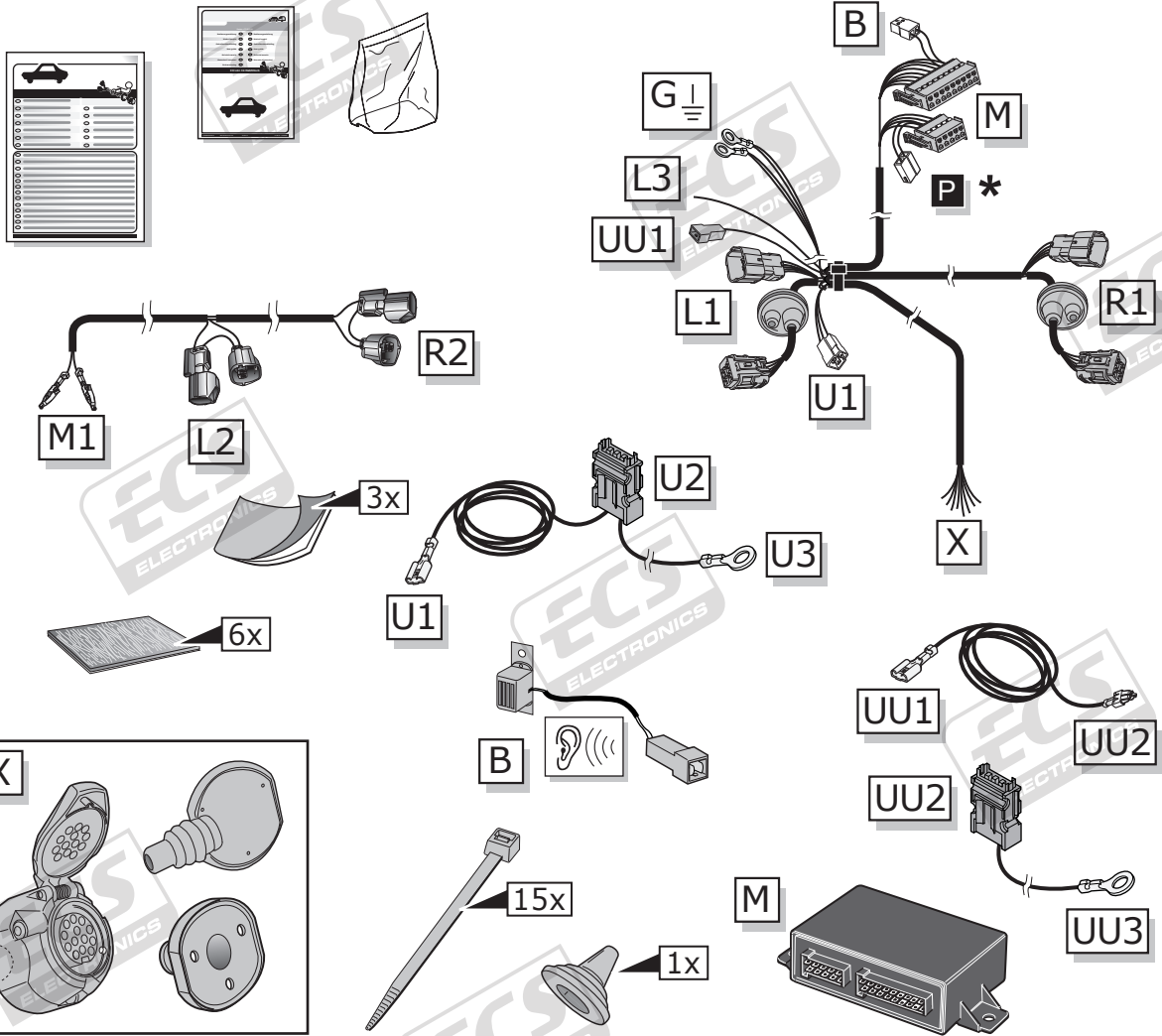
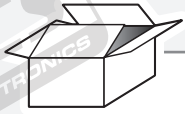
## Hyundai iX-35 2009-

Partnr.: HY-058-DHU

- Fitting instructions electric wiring kit tow bar with 13-P socket up to DIN/ISO Norm 11446.
- We would expressly point out that assembly not carried out properly by a competent installer will result in cancellation of any right to damage compensation, in particular those arising by virtue of the product liability act.
- Contents of these kits and their fitting manuals are subject to alteration without notice, please ensure that these instructions are read and fully understood before commencing installation.
- Do not overload circuits; the maximum loads per connection are detailed in this manual.
- Attention! Before Installation, please read this manual carefully and inform your customer to consult the vehicle owners manual to check for any vehicle modifications required before towing.
- In the event of functional problems, troubleshooting must be limited to about 0.5 hours, contact the technical support:  
[t.skinner@ecs-electronics.com](mailto:t.skinner@ecs-electronics.com) / 07440 202 052.



# Part list

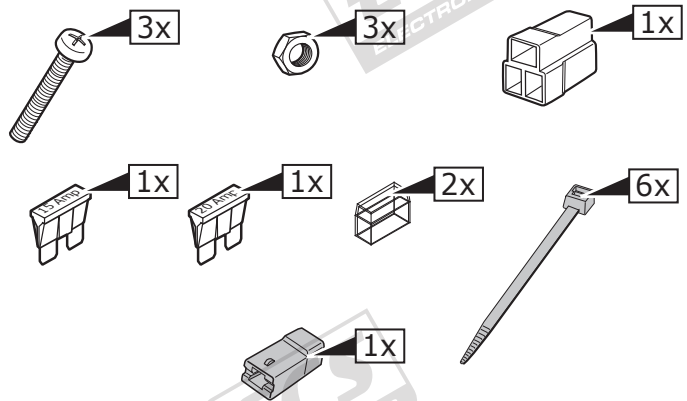


Option! **P \***

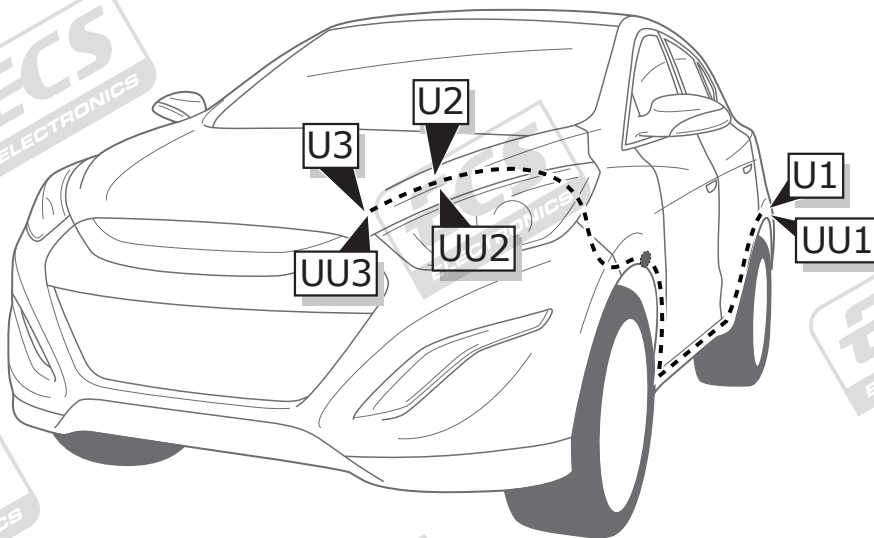
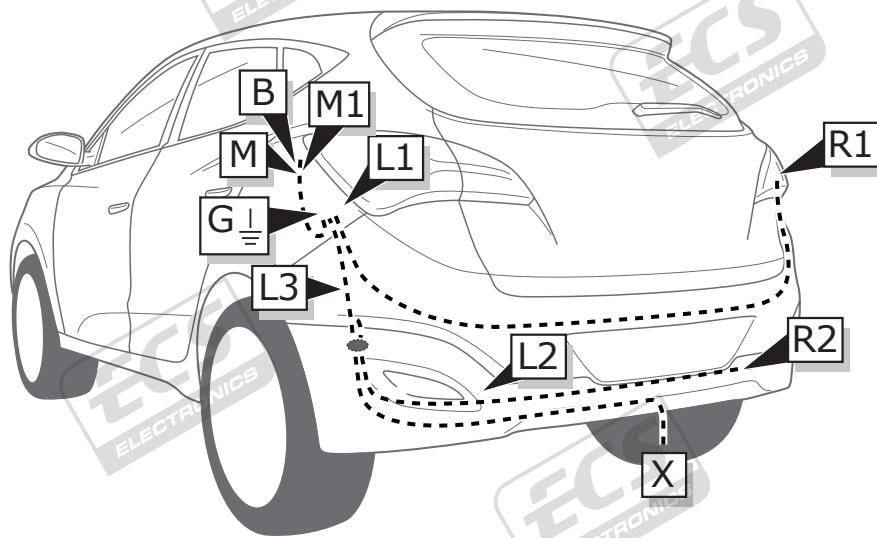
2x

1x

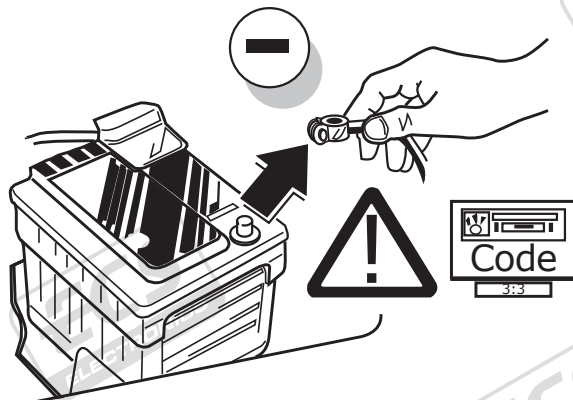
**Pag. 15**



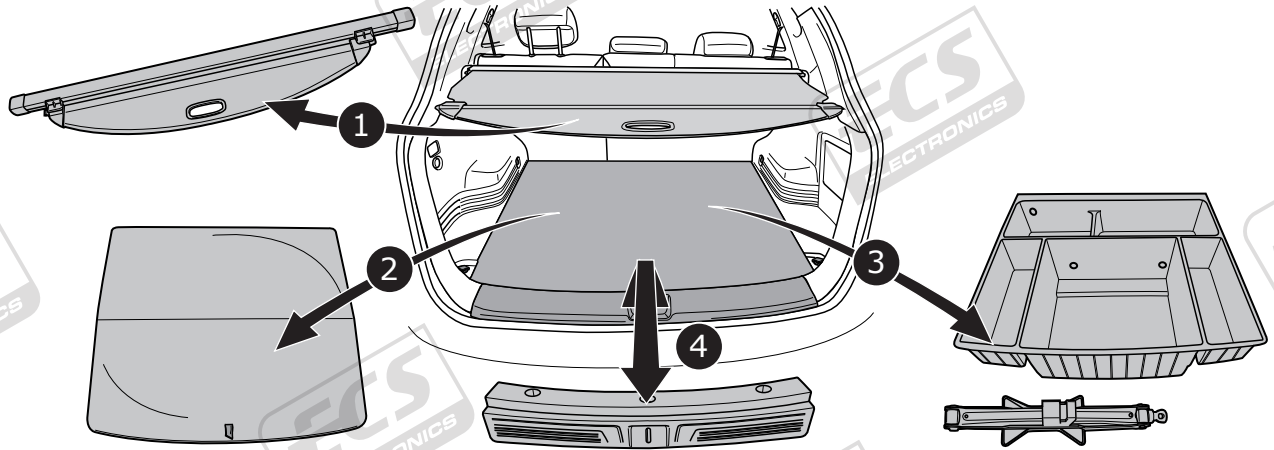
**ROUTING**



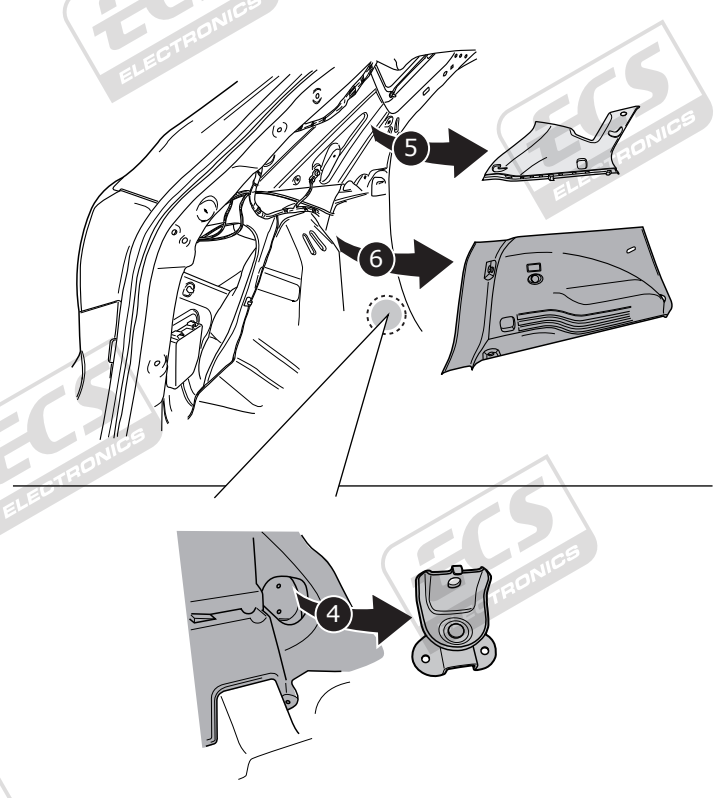
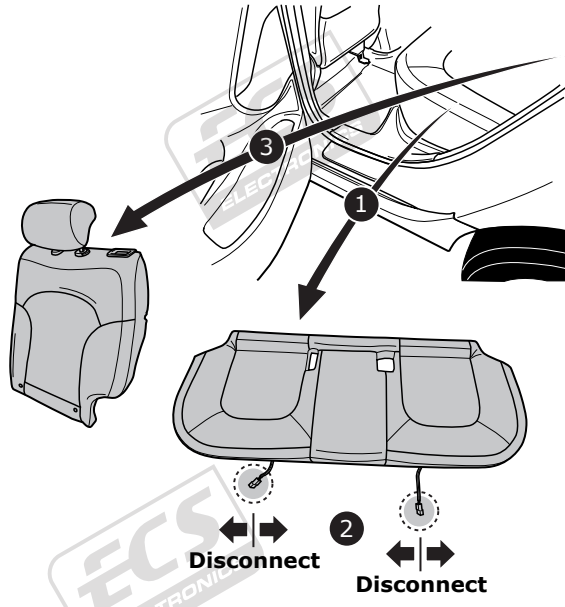
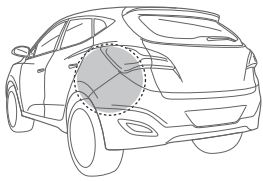
**1**



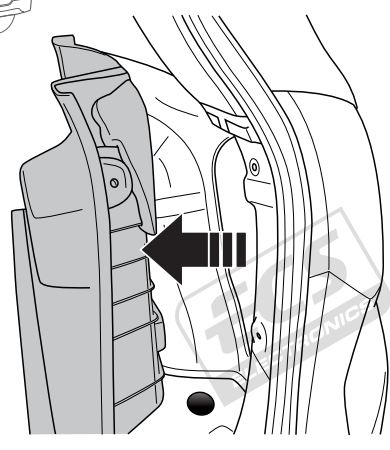
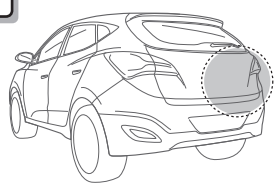
2



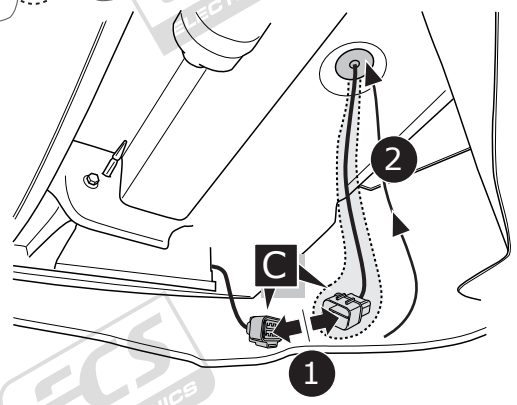
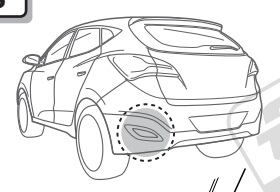
3



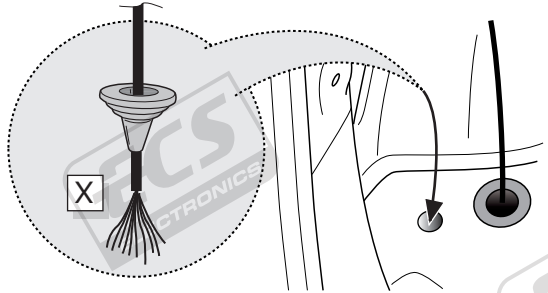
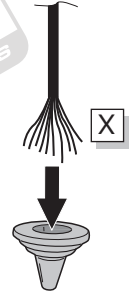
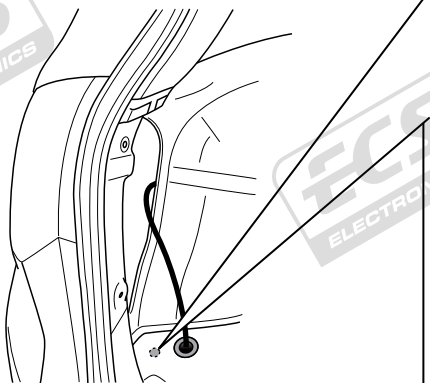
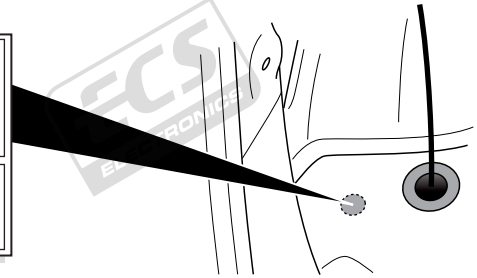
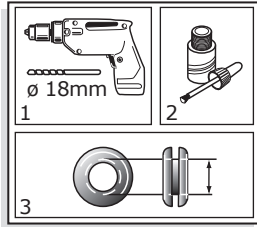
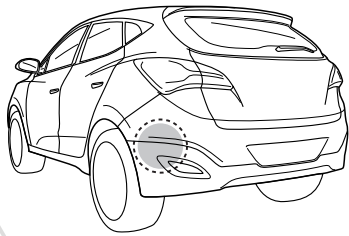
4



5

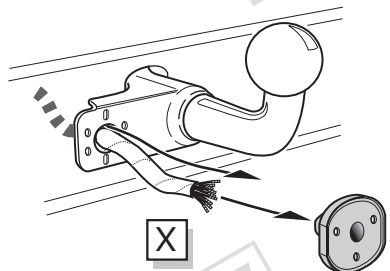


6

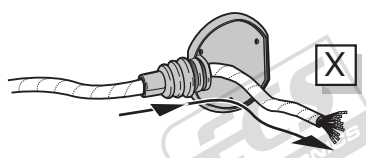


A

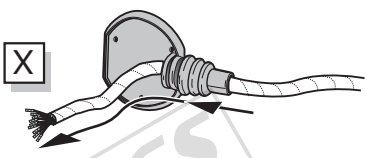
Option 1



Option 2



Option 3



INFO

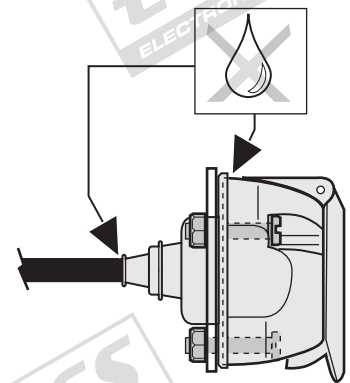
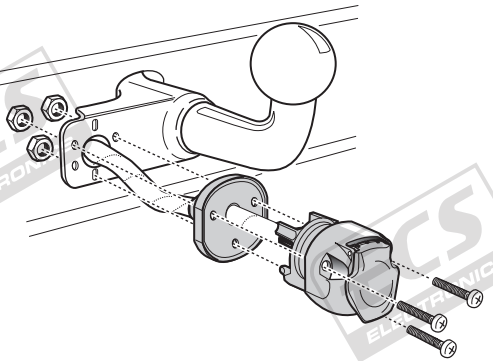
SOCKET CONNECTION

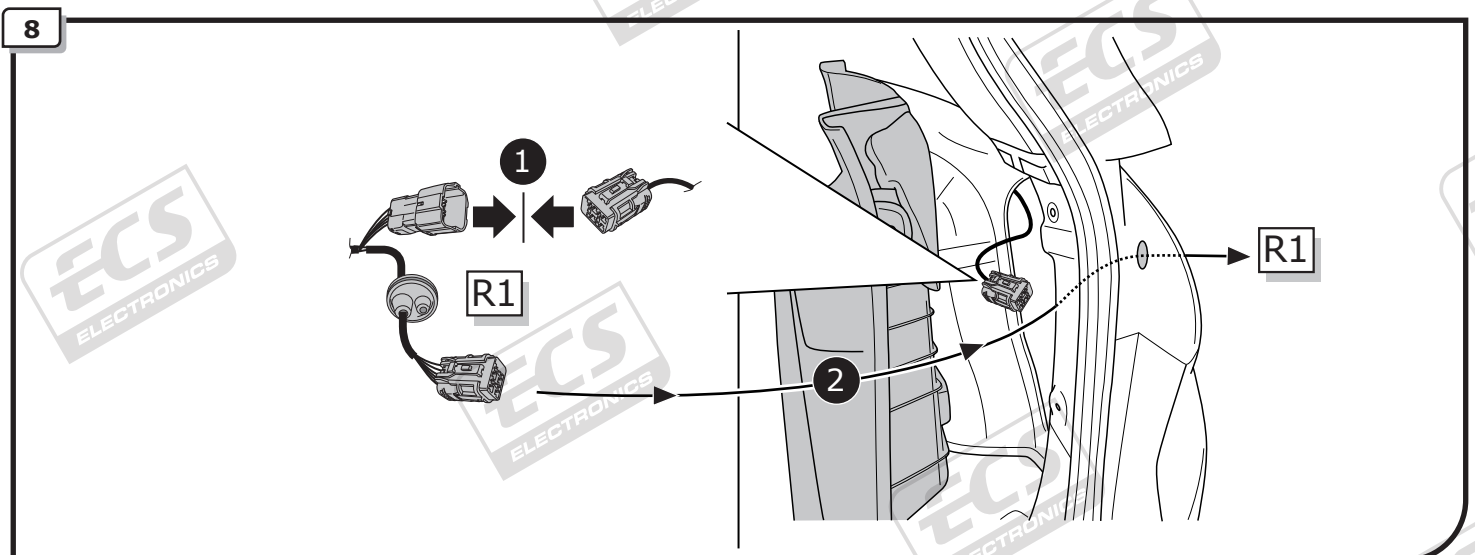
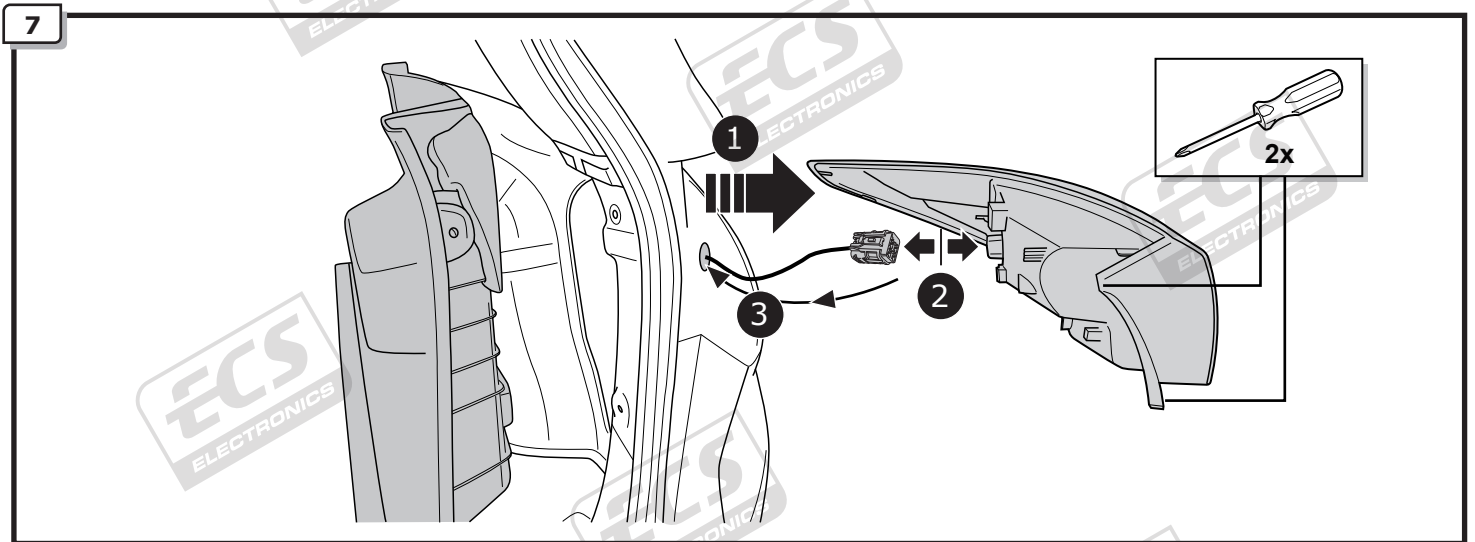
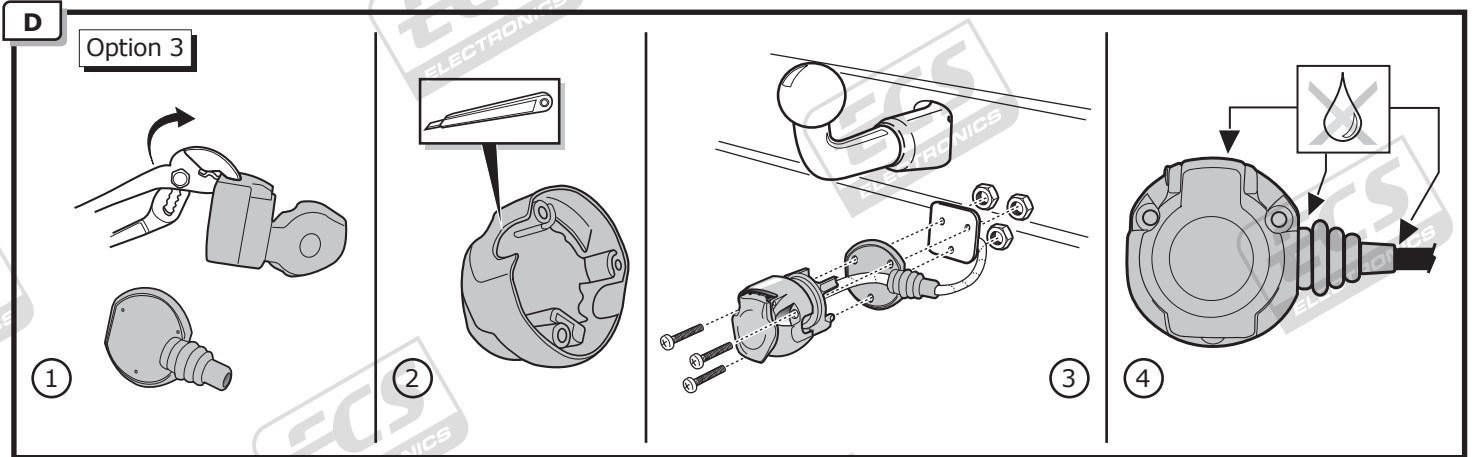
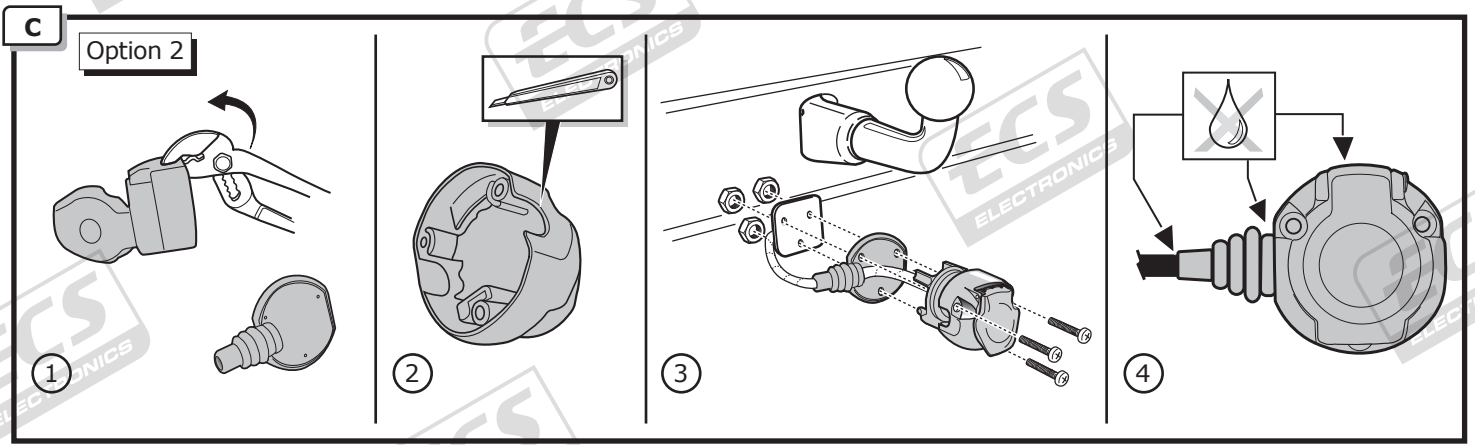


Pag. 14

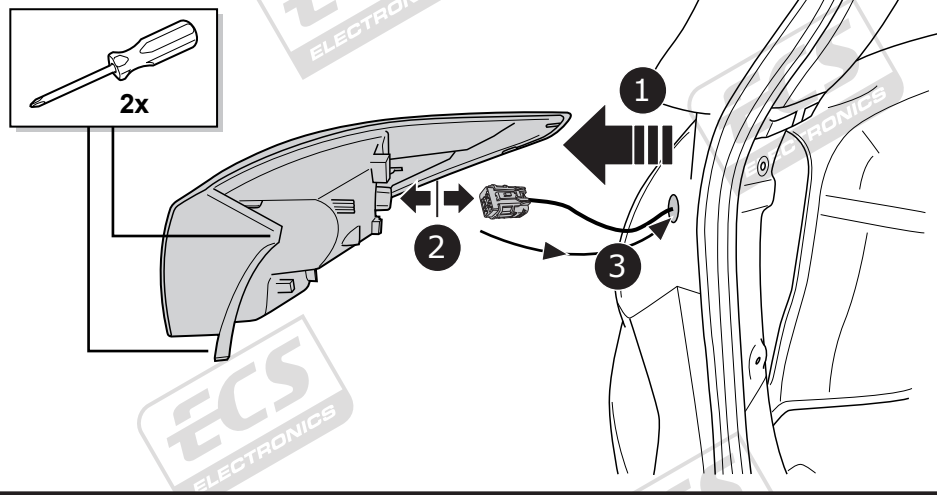
B

Option 1

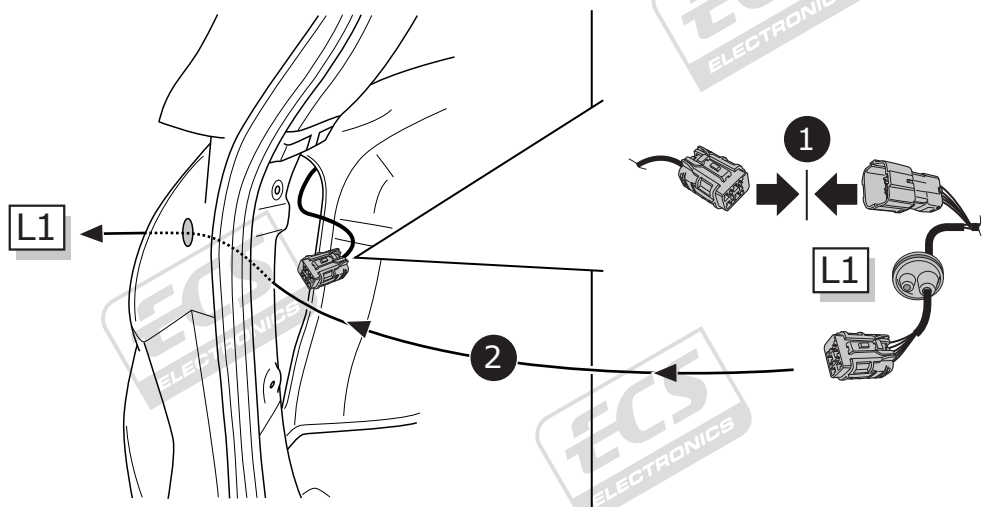




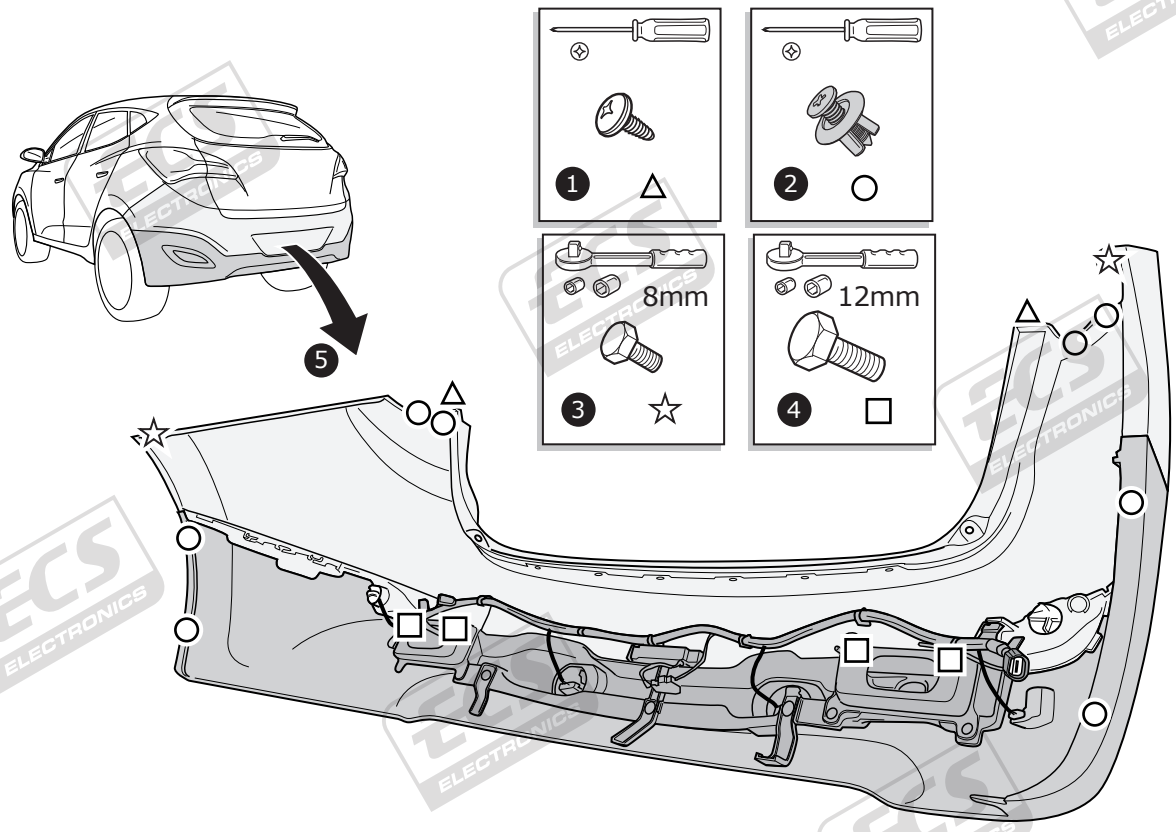
9



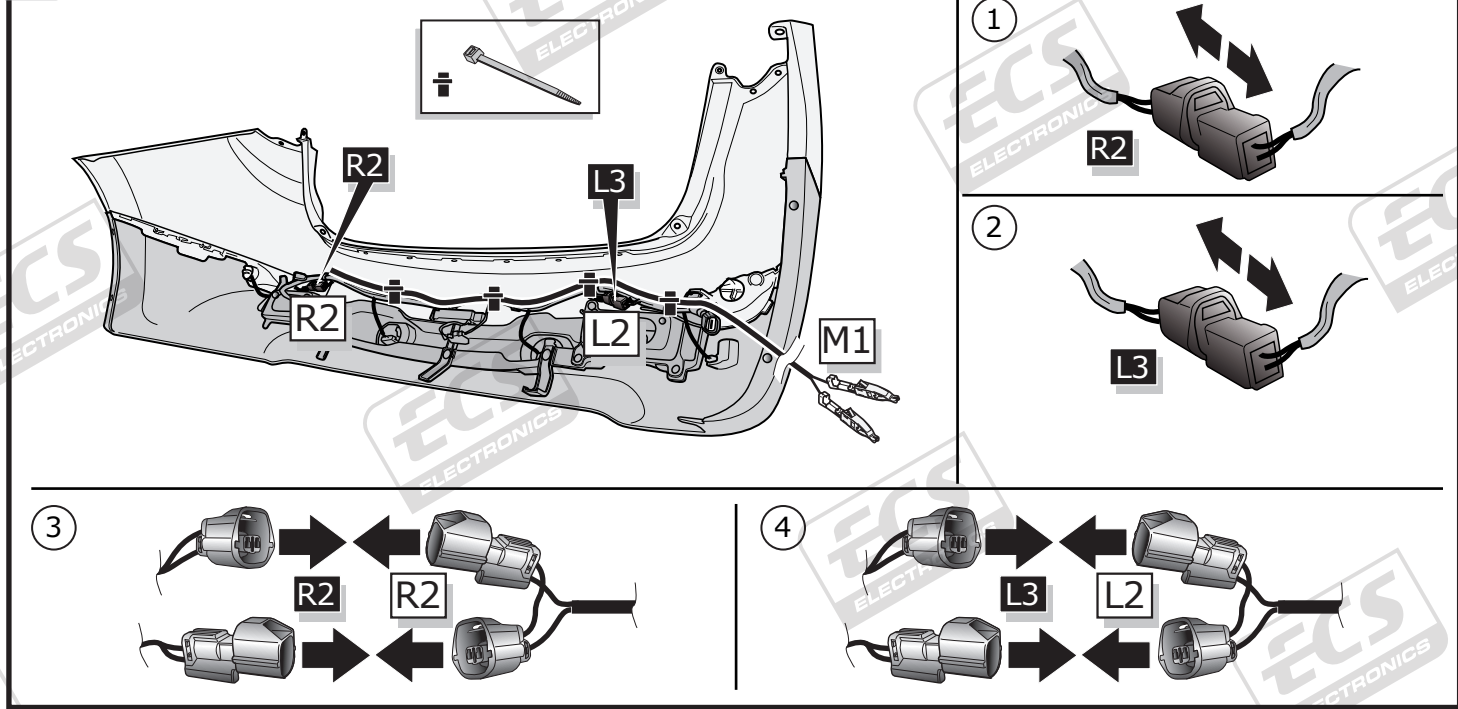
10



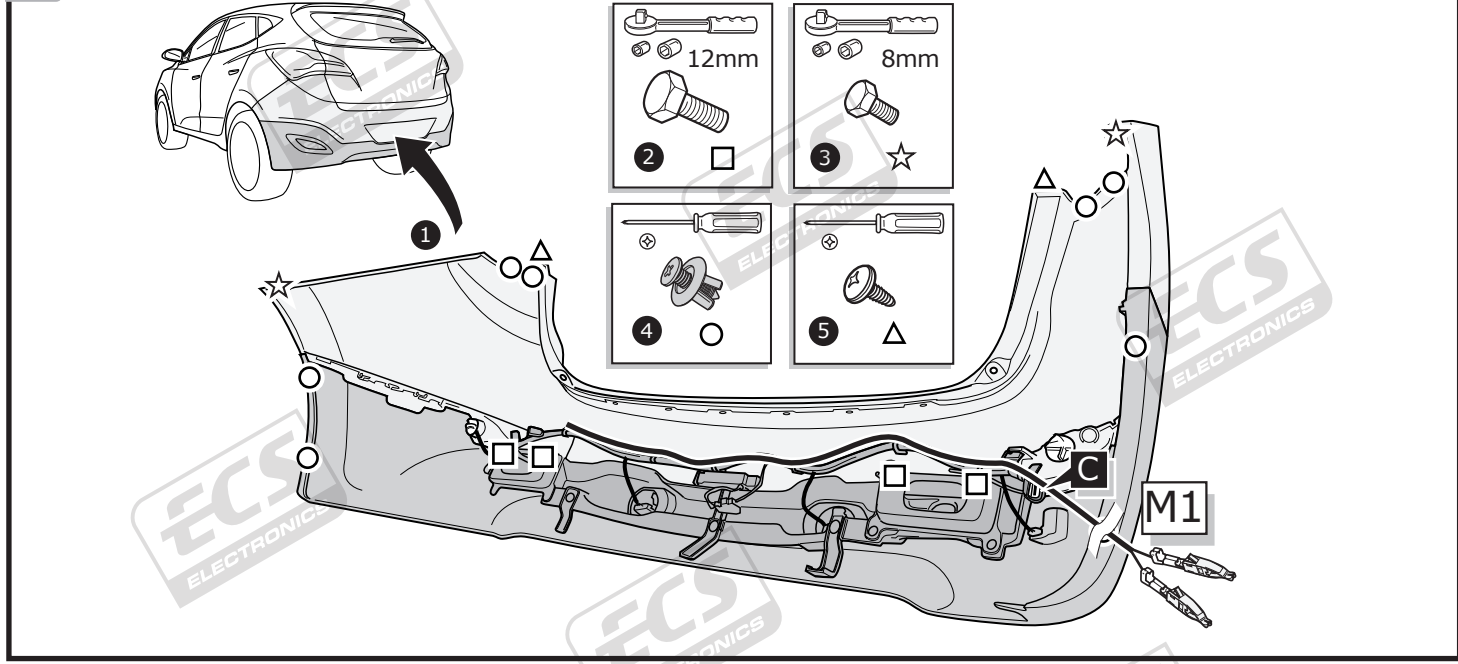
11



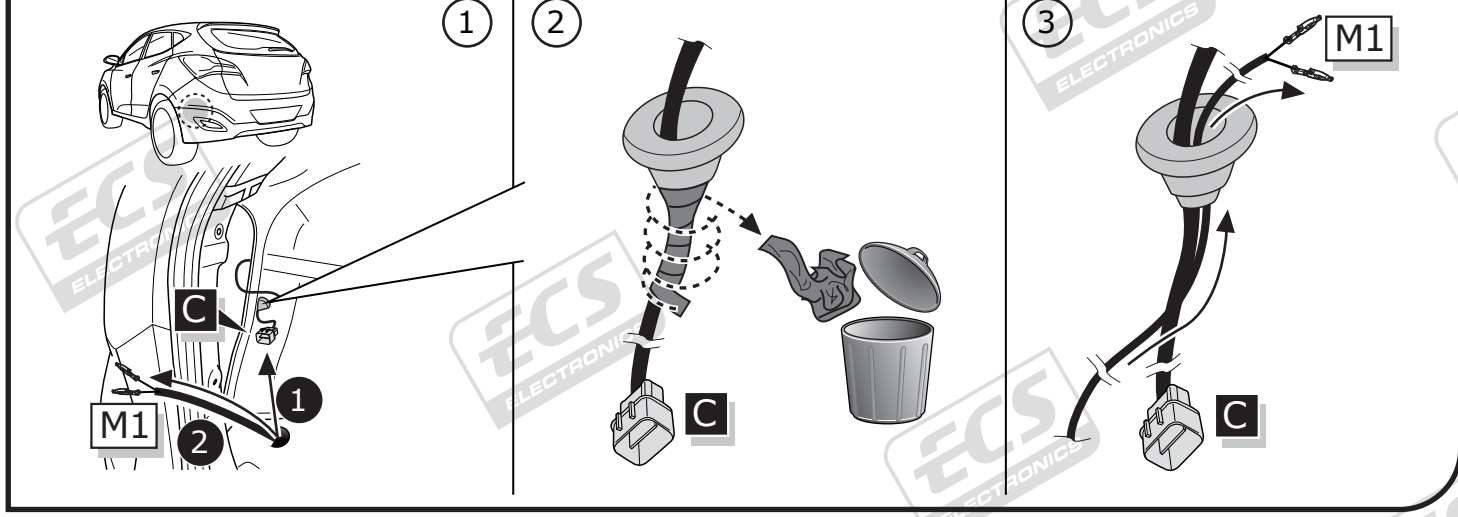
12



13

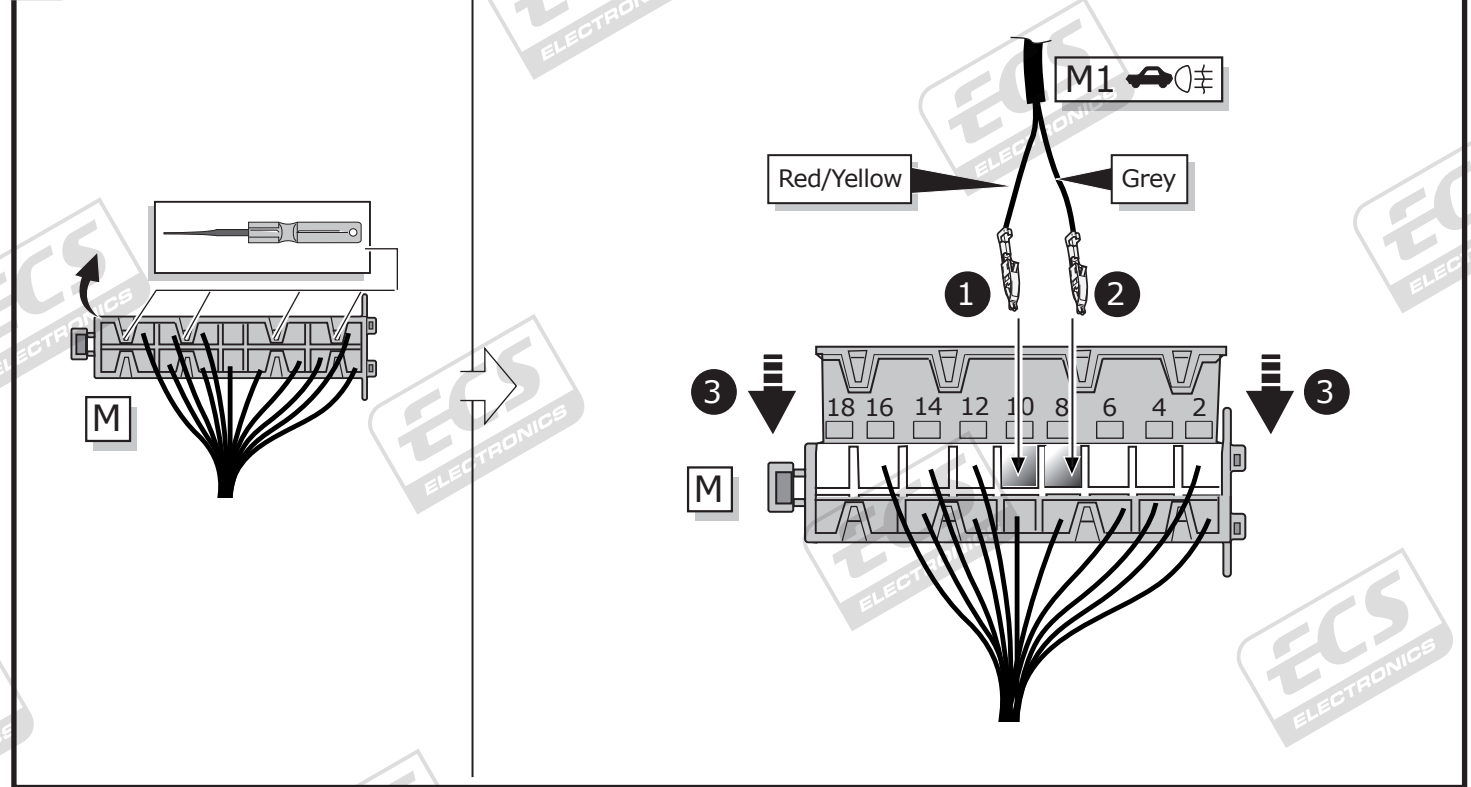


14

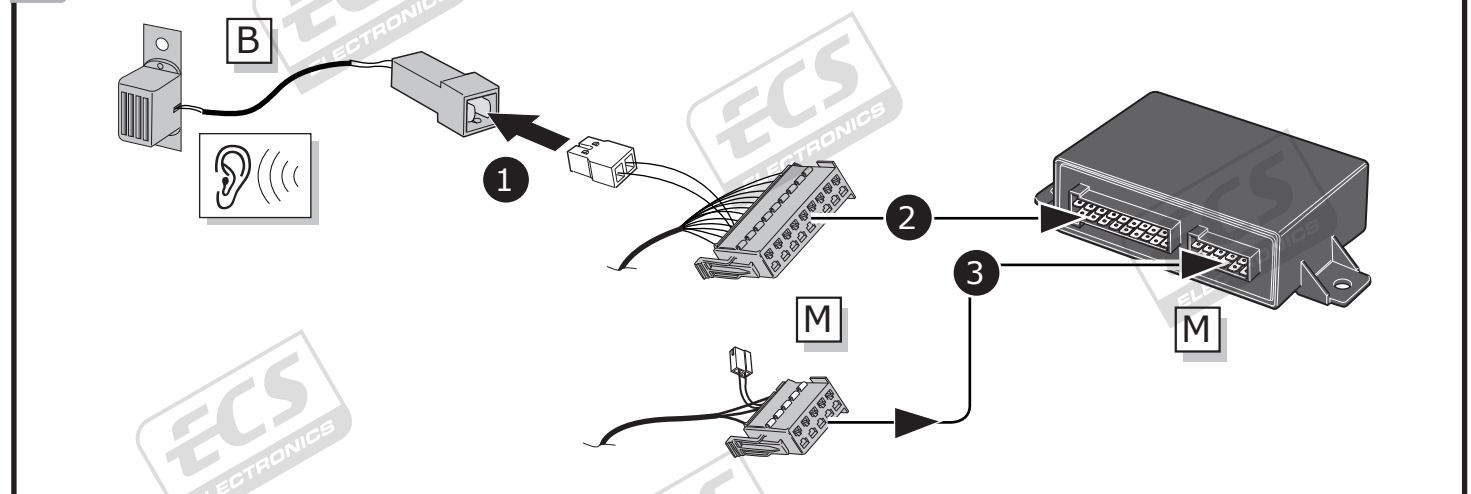




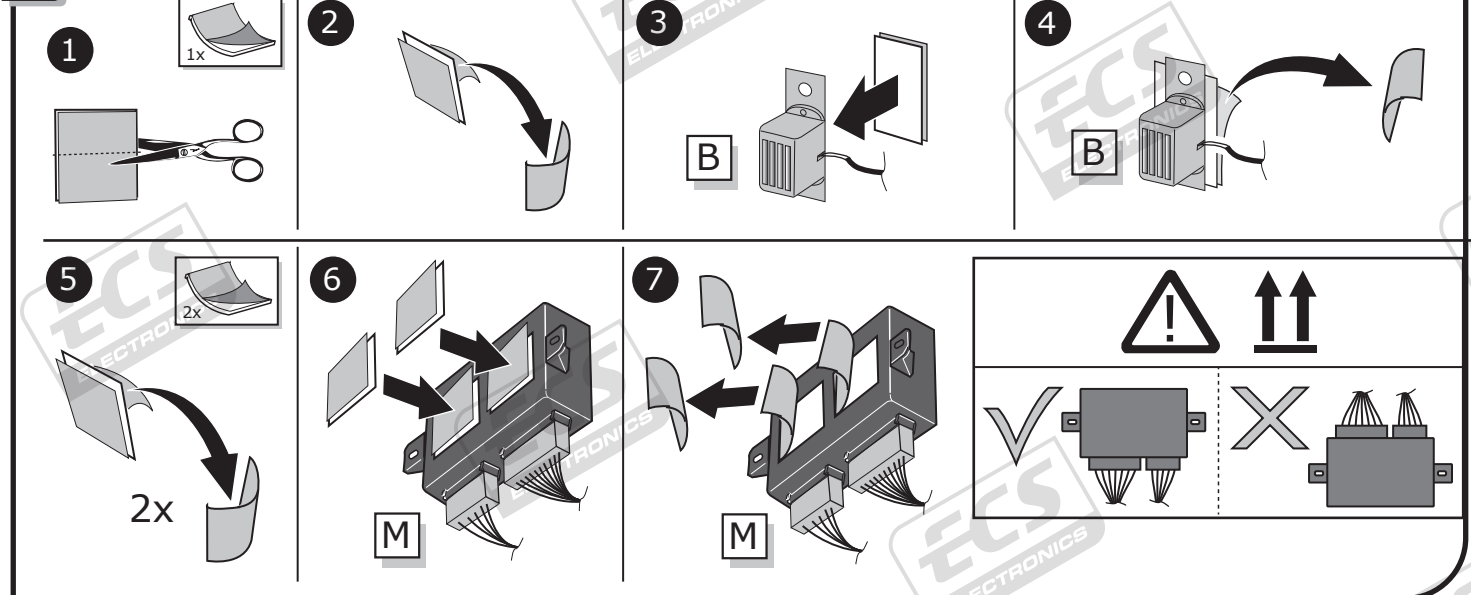
15



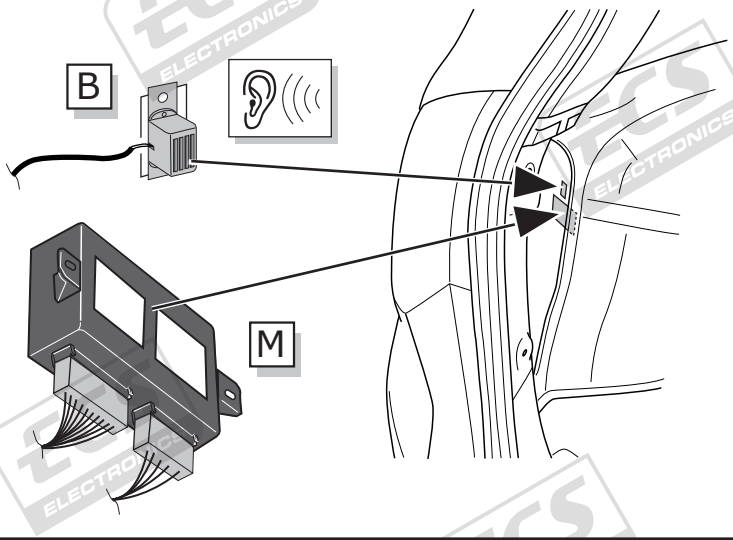
16



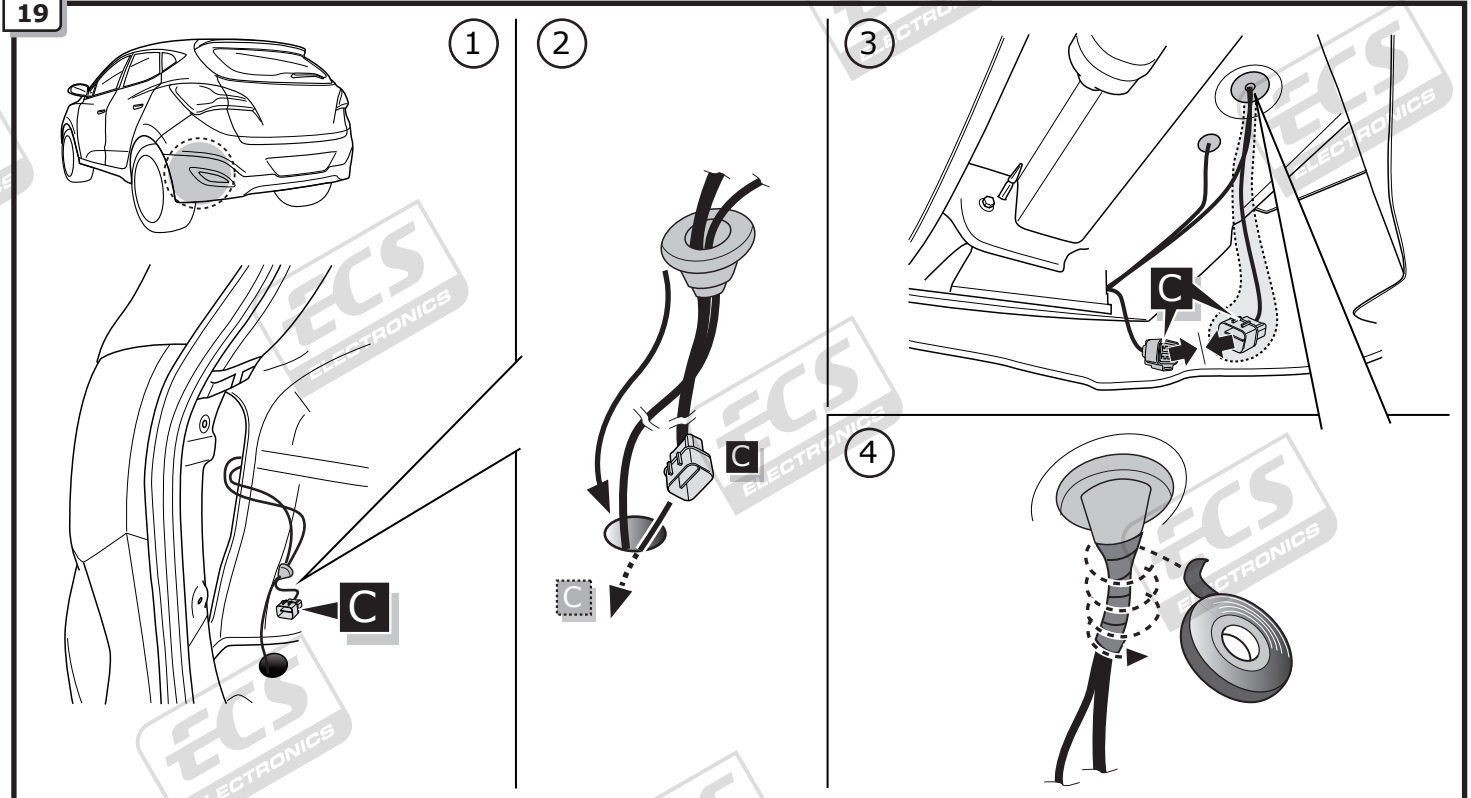
17



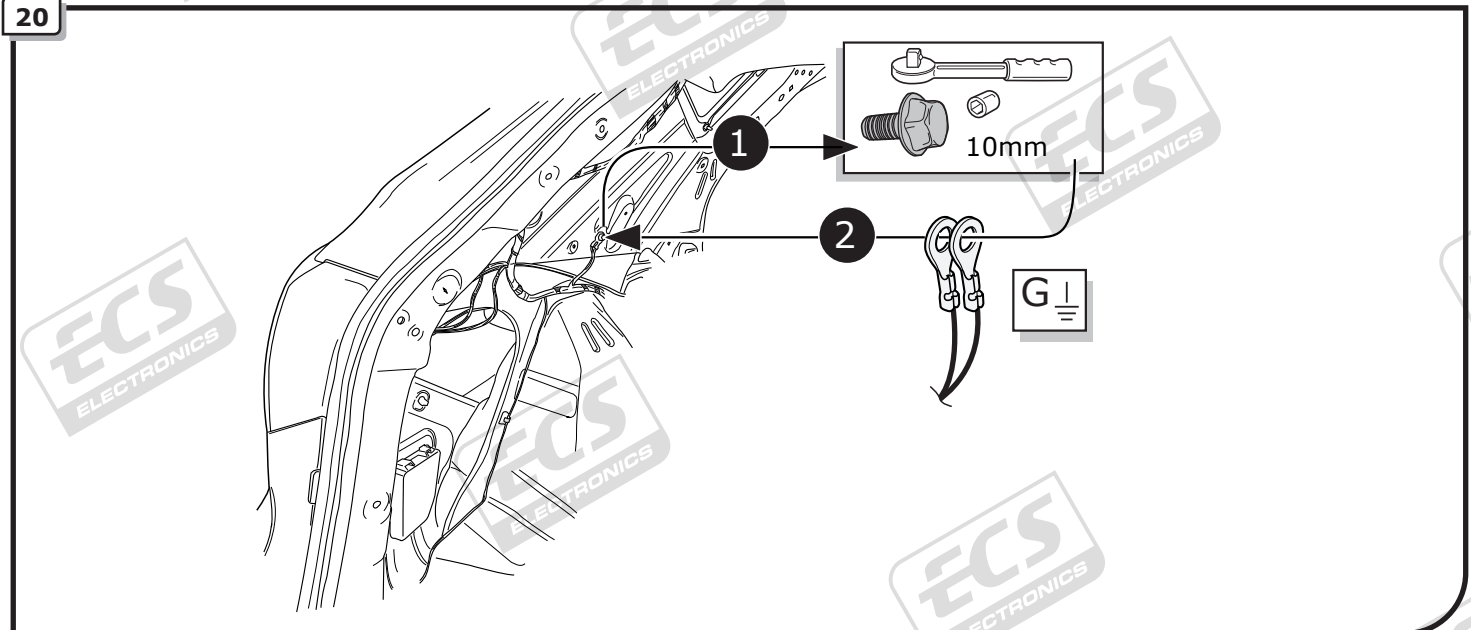
18



19

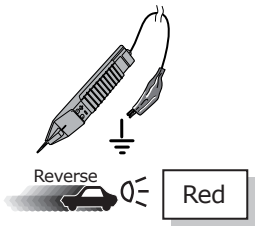


20

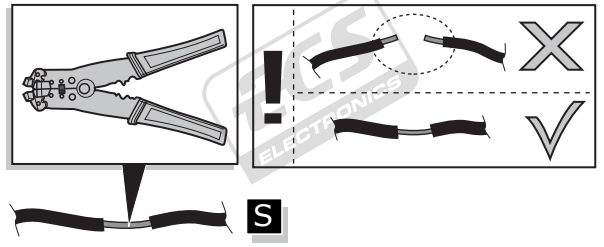


21

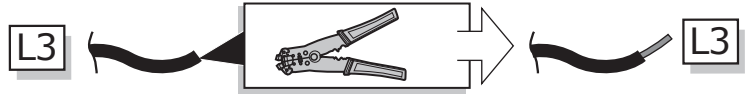
1



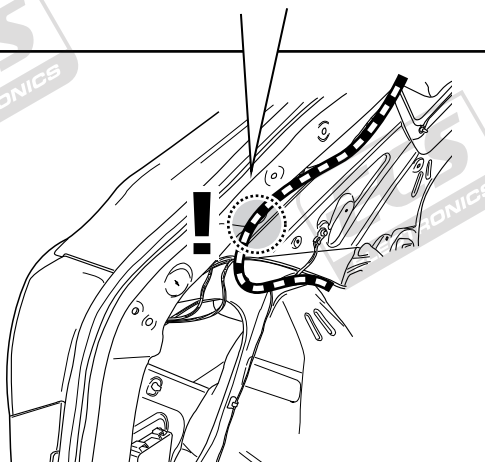
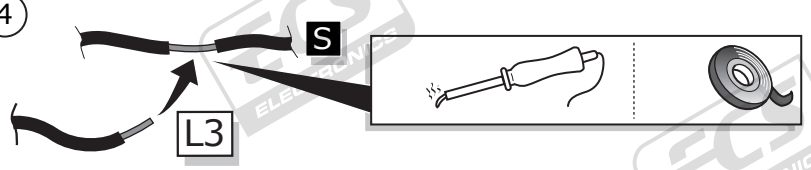
2



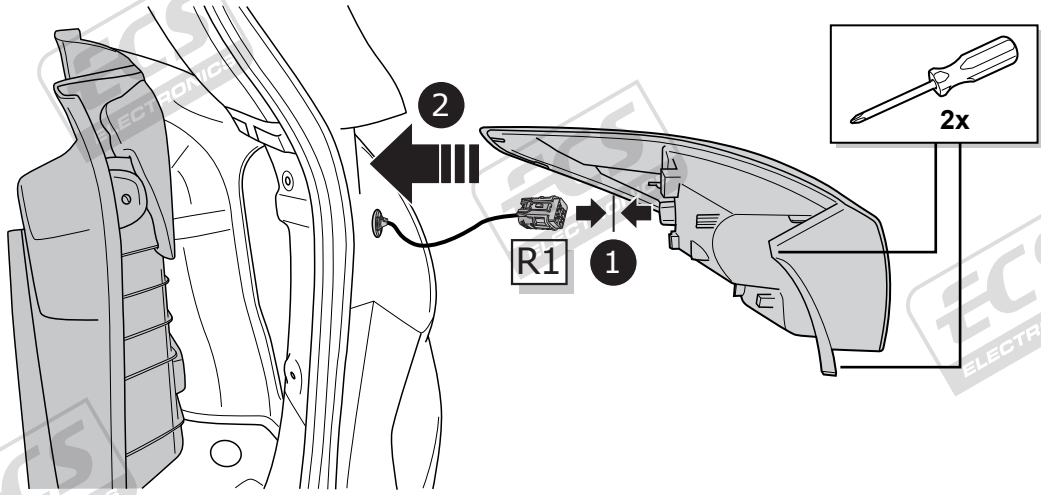
3



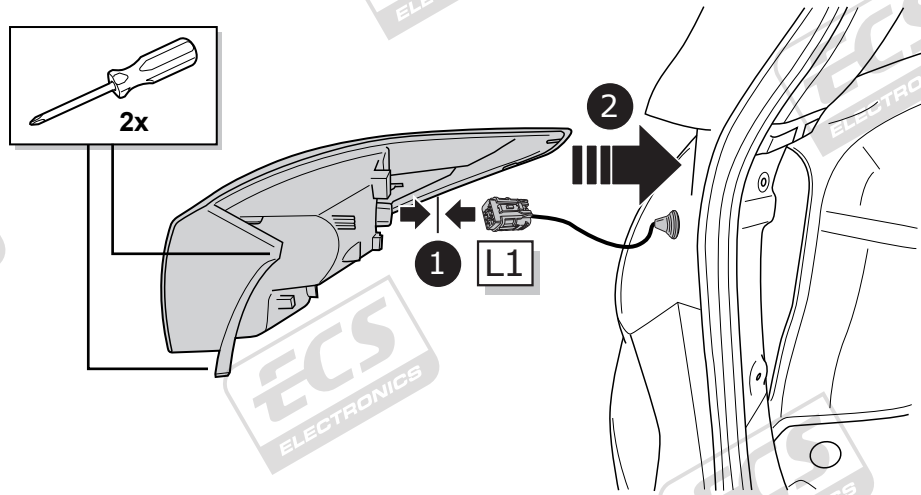
4



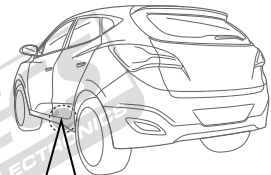
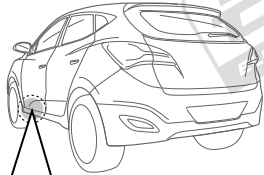
22



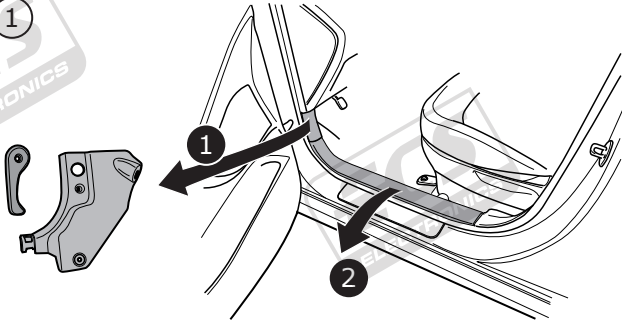
23



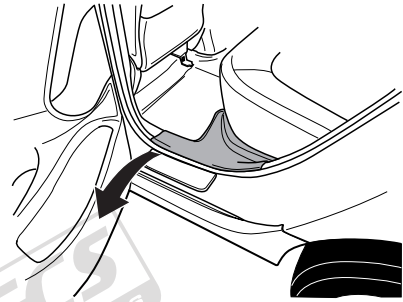
24



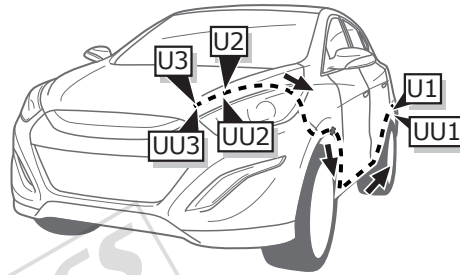
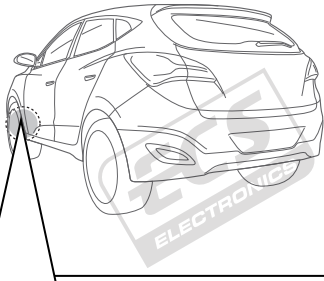
1



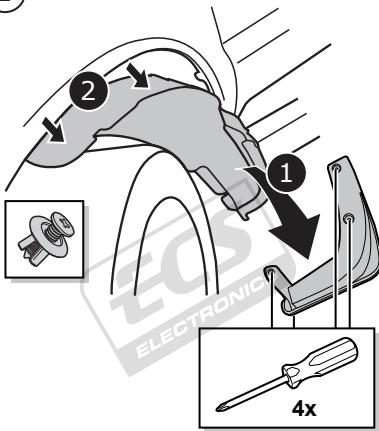
2



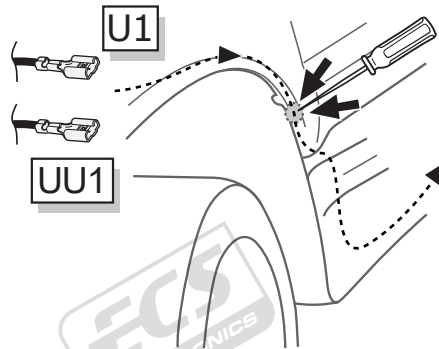
25



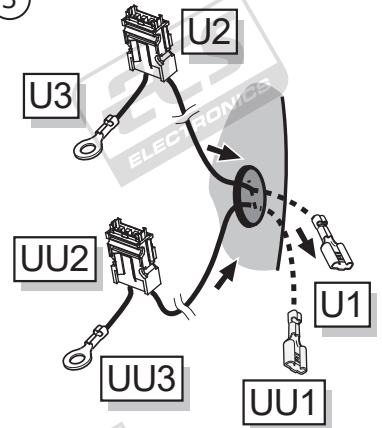
1



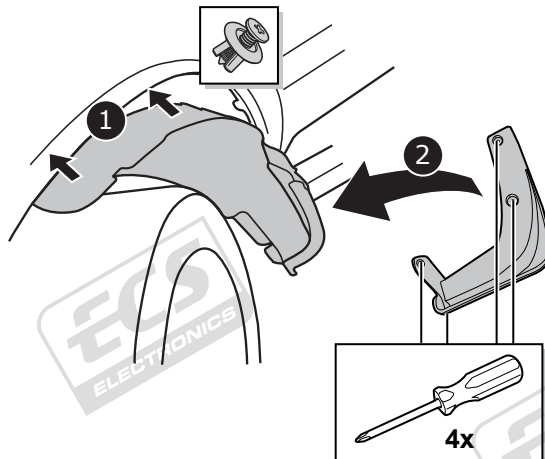
2



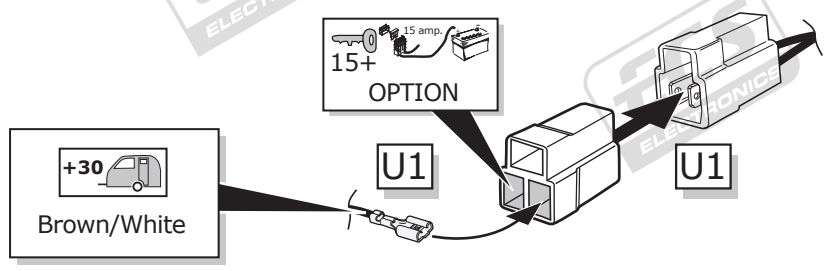
3



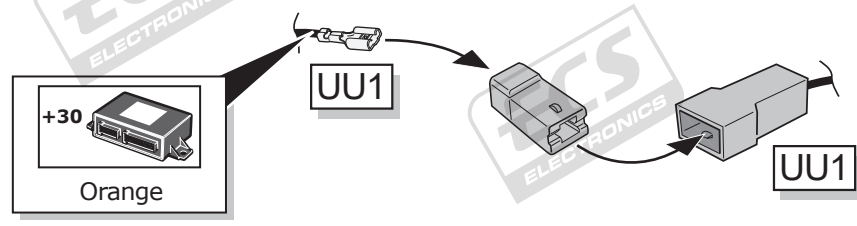
4



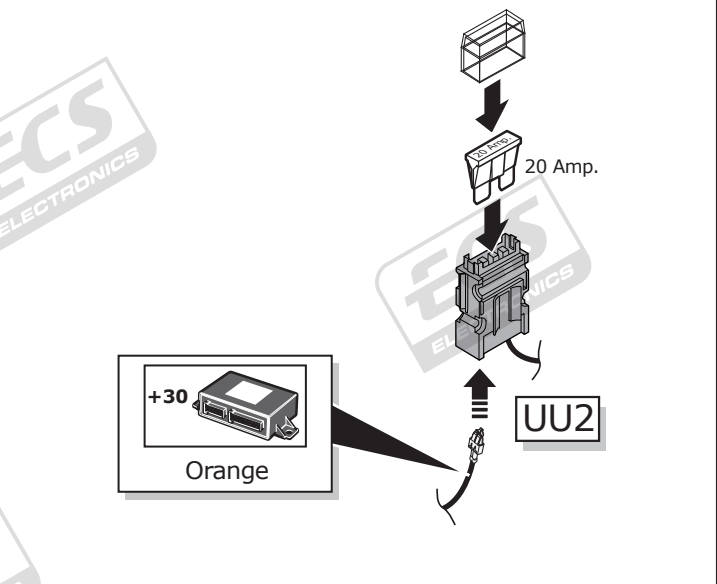
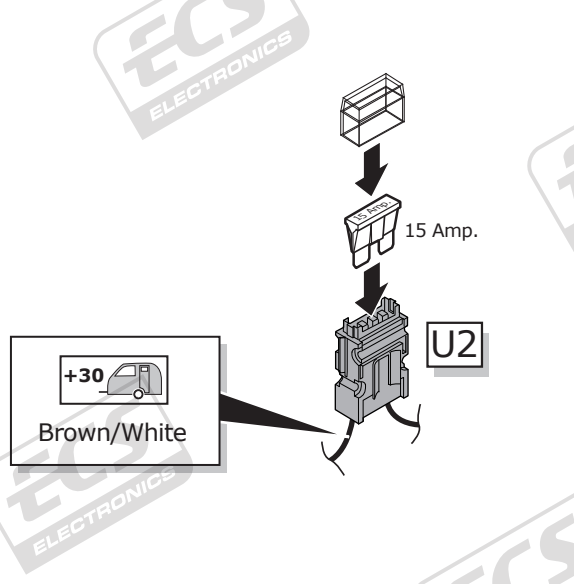
26



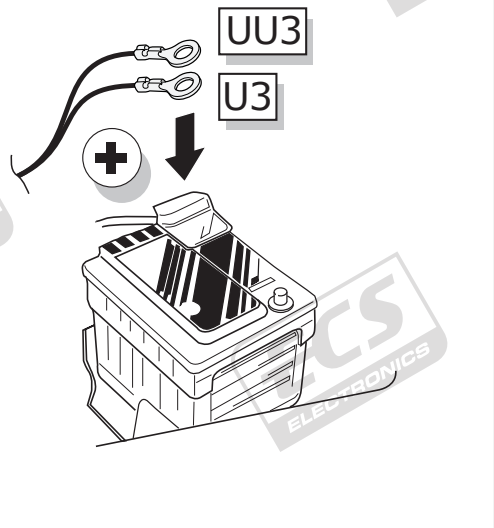
27



28



29



30



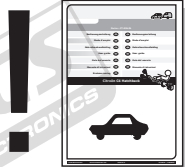
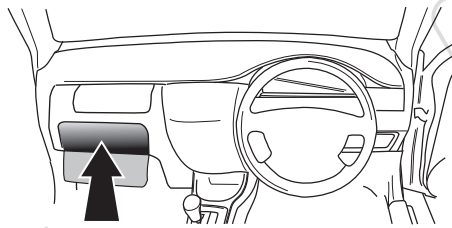
31

**!** TEST ALL THE CIRCUITS WITH A TEST DEVICE WITH THE CORRECT POWER LOAD FOR EACH FUNCTION. A TEST DEVICE WITH LED'S CANNOT BE USED FOR THIS PURPOSE.

INFO

REINSTALL TRIM.

32



**User guide**

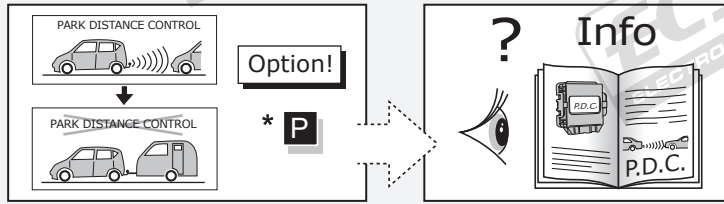


INFO

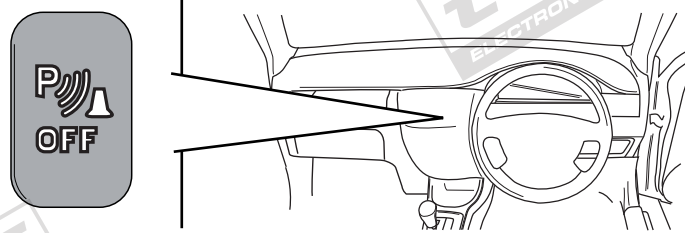
SOCKET CONNECTION

DIN/ISO 11446												—	
	1/L	2	3/31	4/R	5/58-R	6/54	7/58-L	8	9	10	11	12	13
Pmax	21W	2x21W		21W	52W	3x21W	52W	2x21W	180W/15Amp	180W/15Amp			
Colour	Yellow	Blue	White	Green	Brown	Red 1,00 mm <sup>2</sup>	Black	Black/ Red	Brown/ White	Red 2,50 mm <sup>2</sup>	White	Red/ Blue	White

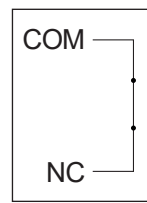
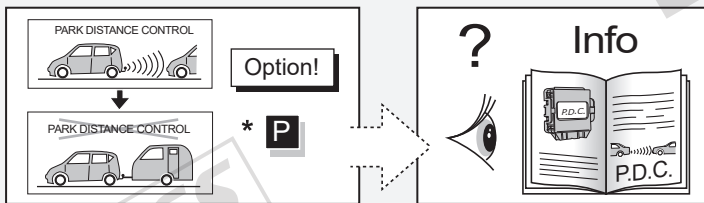
### Option 1



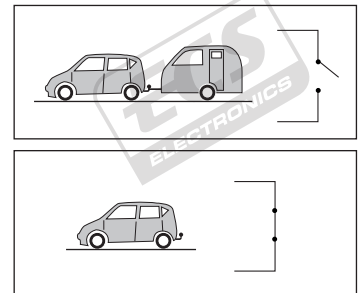
### For OEM installed PDC systems



### Option 2



Normally closed



### For aftermarket installed PDC systems

